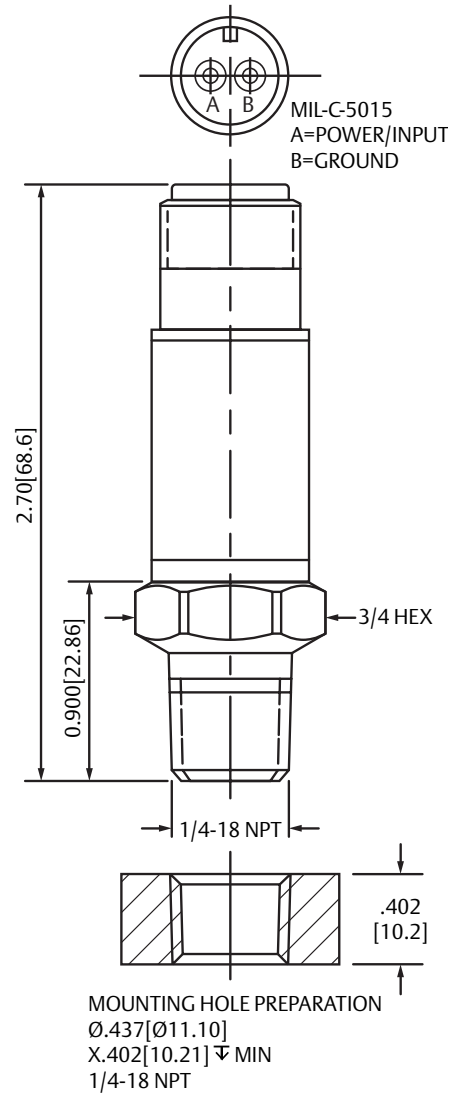


Dynamic Pressure Sensor

The A0730DP-EX-500 measures dynamic pressure pulsations in fluid lines such as press loading lines and paper machine stock approaches. A dynamic pressure sensor can see the influence of pressure pulsations caused by blade pass frequency from a pump or fan.

Dynamic Performance	
Sensitivity (±15%)	1.45 mV/kPa (10 mV/psi)
Measurement Range	±3447 kPa (±500 psi)
Maximum Static Pressure	55.16 MPa (8000 psi)
Rise Time	≤4 μs
Frequency Range	0.50 to <60000 Hz (30 to 3,600,000 cpm)
Mounted Resonant Frequency	≥60 kHz
Amplitude Linearity	±2% Full Scale
Acceleration Sensitivity	≤0.035 kPa/m/s ² (≤0.05 psi/g)
Environmental	
Temperature Range	-54 to 121°C (-65 to 250°F)
Sealing / Rating	Welded Hermetic / IP68
Hazardous Area Ratings	
CSA	AExia Exia IIC T4 Class1 Division 1 GR A, B, C & D Class1 Zone 0 IIC AExnA ExnL IIC T4 Class1 Division 2 GR A, B, C & D Class1 Zone 2 IIC PER 21869
ATEX	Ex II 1 G LCIE 03 ATEX 6279X Ex ia IIC T4 II 3 G LCIE 05 ATEX 6111X, Ex nL IIC T4 LCIE 06 ATEX 6103X, Ex nA IIC T4 -54°C<Ta<121°C



Electrical	
Output Polarity (Positive Pressure)	Positive
Discharge Time Constant	≥ 1.0 sec
Excitation Voltage / Current	22 to 28 VDC / 2 to 20 mA
Output Impedance	<100 ohms
Output Bias	8 to 14 VDC
Case Isolation	$>10^8$ ohms
Mechanical	
Weight	75.6 grams (2.7 oz)
Sensor Element / Geometry	Quartz / Compression
Case Material	316L Stainless Steel
Diaphragm Material	316L Stainless Steel
Supplied Accessories	
Multi Point Calibration	

NOTE: It's important that the pressure sensor diaphragm be mounted flush with the inside surface of the wall of the pressure source.

Emerson
Reliability Solutions
 835 Innovation Drive
 Knoxville, TN 37932 USA
 ☎ +1 865 675 2400
 🌐 www.emerson.com/ams

©2019, Emerson. All rights reserved.

The Emerson logo is a trademark and service mark of Emerson Electric Co. All other marks are the property of their respective owners.

The contents of this publication are presented for informational purposes only, and while diligent efforts were made to ensure their accuracy, they are not to be construed as warranties or guarantees, express or implied, regarding the products or services described herein or their use or applicability. All sales are governed by our terms and conditions, which are available on request. We reserve the right to modify or improve the designs or specifications of our products at any time without notice.