

ROC800-Series Remote Operations Controller



UK	Safe Use Instructions
DE	Anleitung zur sicheren Verwendung
FR	Consignes de sécurité
PT	Instruções para uso seguro
SC	安全使用说明
AR	تعليمات الاستخدام الآمن
IT	Istruzioni per l'uso sicuro
NL	Instructies voor veilig gebruik
SP	Instrucciones para un uso seguro

ROC800-Series Remote Operations Controller

MODEL W40135 FLOW COMPUTER		
POWER MODULE	INPUT VOLTAGE AND RATED	MAXIMUM POWER
PM-12	BAT: 11.25 TO 16 VDC, CHG: 0 TO 18 VDC	46 WATTS
PM-24	POWER INPUT: 20 TO 30 VDC	46 WATTS
PM-30	POWER INPUT: 11 TO 30 VDC	76 WATTS

OPERATING AMBIENT TEMP: -40 TO +75°C
 Sirco 05ATEX4046X
 IECEx CSA 15.0053X
 Ex nA IIC T4 Gc, -40°C ≤ T_{amb} ≤ +75°C

MUST BE INSTALLED IN IP54 OR BETTER ENCLOSURE OR EQUIVALENT LOCATION. INSTALL ASSEMBLY PER SAFE-USE INSTRUCTIONS PROVIDED.
 BATTERY REPLACEMENT TYPE: REFER TO SERVICE MANUAL
 FUSE REPLACEMENT: 2.5 AMP FAST-ACTING TYPE

FOUNDATION FIELDBUS INTERFACE RATINGS
 (WHEN INSTALLED & EXTERNALLY POWERED PER INSTRUCTIONS)
 POWER INPUT: 10 TO 30 VDC
 POWER: 42 WATTS MAX (INTERFACE & DOWNSTREAM MODULES)
 FUSE REPLACEMENT: 6.3 AMP SLO-BLO TYPE

WARNING: EXPLOSION HAZARD – DO NOT CONNECT/DISCONNECT WHILE CIRCUIT IS LIVE UNLESS AREA IS KNOWN TO BE NON-HAZARDOUS.

BRISTOL, INC. dba REMOTE AUTOMATION SOLUTIONS
 WATERTOWN, CT, USA

DOC0986A

Figure 1. ROC800-Series Label

Use this safe use instructions (SUI) document with the *ROC800-Series Remote Operations Controller Instruction Manual* (part D301217X012). For full cautions and descriptions of installation and troubleshooting procedures, refer to this manual. If you require training for this product, contact your local sales office.

The ROC800-Series Remote Operations Controller (or “ROC800”) with ATEX approval may be ordered with any of the optional communications or I/O modules listed in the technical specifications *ROC800-Series Remote Operations Controllers* (ROC800).

The certificate for this equipment includes the following special conditions for safe use (X):

1. If the optional Remote MVS sensor is being used with this equipment, note that this sensor contains a thin wall diaphragm. Installation, maintenance, and use shall take into account the environmental conditions to which the diaphragm is subjected. When installing and maintaining the device, follow in detail the manufacturer’s instructions to ensure safety during its expected lifetime.
2. Install the equipment in an IP54 or better enclosure or equivalent location. Any enclosure shall be suitably certified or otherwise approved for the zone of use (Zone 2).
3. Ensure that the rated input voltage is not exceeded in service.

4. Ensure that the cable conductors used are rated 75 degrees C or higher.
5. If you install an IEC 62591 module or a FOUNDATION Fieldbus CPU in the ROC800, do not use the USB connector in a known hazardous area.

Declaration of Conformity

Hereby, Remote Automation Solutions declares that the ROC800-Series products are in compliance with the essential requirements and other relevant provisions of European Directives 2004/108/EC (EMC), and 94/9/EC (ATEX).



When installing units in a hazardous area, make sure all installation components selected are labeled for use in such areas. Installation and maintenance must be performed only when the area is known to be non-hazardous. Installation or maintenance in a hazardous area could result in personal injury or property damage.

Always turn off the power to the ROC800 before you attempt any type of wiring. Wiring of powered equipment could result in personal injury or property damage.

To avoid circuit damage when working inside the unit, use appropriate electrostatic discharge precautions, such as wearing a grounded wrist strap.






Check the input power polarity before connecting power to the ROC800.

The following tools are required for installation, maintenance, and troubleshooting:

- Personal computer running Microsoft® Windows® 2000 (with Service Pack 2), Windows XP, Windows Vista, or Windows 7.
- ROCLINK™ 800 Configuration Software.
- Phillips (cross-head) screwdriver.
- Flat-head screwdriver.

Integral FOUNDATION™ Fieldbus Interface

You can install a Foundation Fieldbus Interface into a Series 2 ROC827 enclosure. For more information, see *Wiring an FFI into the ROC827* in this document.

Specifications
<p>POWER</p> <p>12 V dc Power Input Module: Operating Range: 11.25 to 16 V dc. Input Current: 5 Amps maximum</p> <p>24 V dc Power Input Module: Operating Range: 20 to 30 V dc. Input Current: 2 Amp maximum</p> <p>30 V dc Power Input Module: Operating Range: 11 to 30 V dc. Input Current: 7 Amp maximum</p> <p>MATERIALS</p> <p>Case: Acrylonitrile Butadiene Styrene (ABS) Plastic. Wire Channel Covers: Polypropylene Plastic. Modules: Thermoplastic Polyester, solvent-resistant.</p> <p>ENVIRONMENTAL</p> <p>Operating Temp.: -40 to +75°C. Storage Temp.: -40 to +85°C. Relative Humidity: IEC68-2-3; 5-95% non-condensing.</p> <p>WEIGHT</p> <p>1.65 kg for housing, backplane and CPU. I/O Modules: Vary from 49–60 g. Modem Module: 113.4 g. EIA-232 (RS-232) Module: 47.6 g. EIA-422/485 (RS-422/485) Module: 49.9 g. MVS Module: 61.2 g. 12 V dc Power Input Module: 97.5 g. 24 V dc Power Input Module: 120 g. 30 V dc Power Input Module: 91 g.</p> <p>APPROVALS</p> <p>Evaluated to the following European Standards (EMC): EN55011 (Emissions). EN61000-4-2 (Electrostatic Discharge Immunity). EN61000-4-3 (Electromagnetic Field Immunity). EN61000-4-4 (Electrical Fast Transients Immunity). EN61000-4-5 (Surge Immunity). EN61000-4-6 (Conducted Immunity).</p> <p>Evaluated to the following European Standards (ATEX): EN60079-0:2012. EN60079-15:2010. Certified by Sira as Model W40135.</p> <p>Evaluated to the following Standards (IEC): IEC 60079-0:2011 (6th Edition) IEC 60079-15:2010, 4th Edition</p> <p>Product Markings for Hazardous Locations: Ex nA IICT4 Gc (-40°C ≤ T_{amb} ≤ +75°C),</p> <p> II 3 G.  </p> <p>Cert. No. Sira 05ATEX4046X</p>

1. You receive the ROC800 in a box. Remove it from the box.
2. Find a suitable location for the ROC800. Always install the ROC800 in a user-supplied enclosure, as the ROC800 requires protection from direct exposure to rain, snow, ice, blowing dust or debris, and corrosive atmospheres. If the ROC800 is installed outside a building, it must be placed in an IP54 (or better) rated enclosure.

Note: If you place the ROC800 inside an enclosure, use the provided extension cable to locate the antenna **outside** the enclosure. Seal any holes you make in the enclosure for this purpose to ensure maintenance of the required IP54 rating.

When choosing an enclosure, be sure to check all clearances. Provide adequate clearance for wiring and service. See *Figure 2* and *Figure 3*.

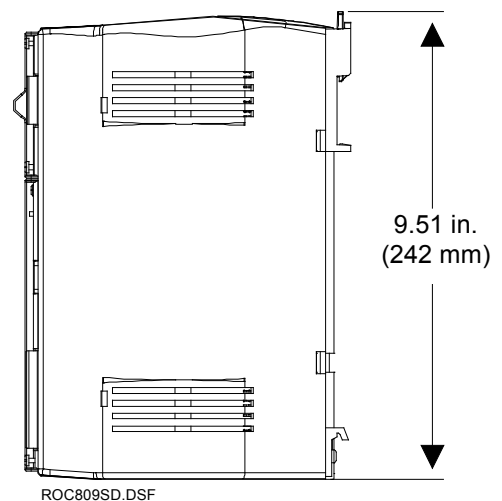


Figure 2. Side View of the ROC809

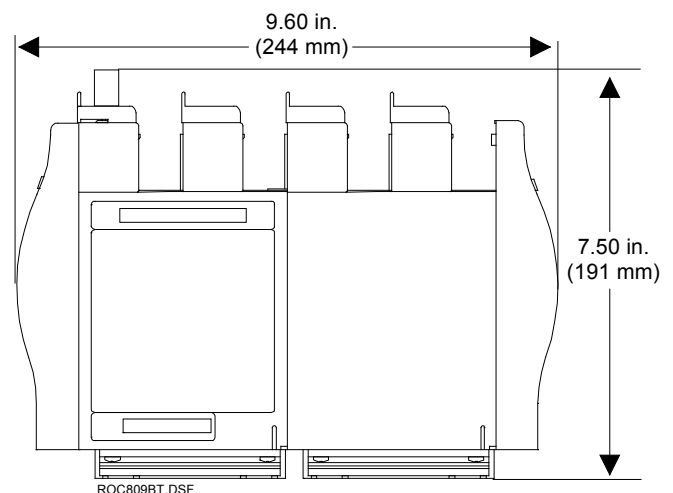
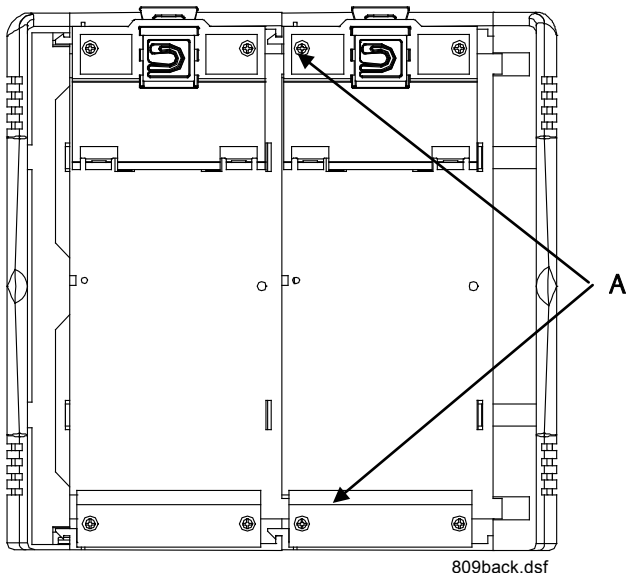


Figure 3. Bottom View of the ROC809

3. The ROC800 housing mounts on two 35 x 7.5 mm DIN rails. See *Figure 4*.

- Mount the upper DIN rails on the ROC800.
- Mount the bottom DIN rails onto the backplane.
- Seat the ROC800 onto the lower rail mounted to the backplane, assuring that the lower edge of the ROC800 is flush to the panel.
- Pivot the top of the ROC800 until it is flush against the panel.
- Fasten the upper strip of DIN rail to the panel.



A DIN Rail Mount

Figure 4. Back of the ROC809

4. If your company has no specific grounding requirements, install the ROC800 unit as a “floating” (unconnected to ground) system. Otherwise, follow your company’s specific grounding practices. However, if you are making a connection between a grounded device and a ROC800 EIA-232 (RS-232) port, **ground** the ROC800 power supply.

If you must ground the equipment, observe the following guidelines:

- When the equipment uses a DC voltage source, the grounding system must terminate at the service disconnect. All equipment grounding conductors—including wire or conduit carrying the power supply conductors—must provide an uninterrupted electrical path to the service disconnect.
- Improper grounding or poor grounding practices can often cause problems, such as introducing ground loops into the system. Properly grounding the ROC unit helps to reduce the effects of electrical noise on the ROC unit’s operation and protects against lightning. Install a surge protection device at the service disconnect on DC voltage source systems to protect the installed equipment against lightning and

power surges. You may also consider a telephone surge protector for the dial-up modem communications module.

- A pipeline with cathodic protection is not a good ground. Do not tie common to the cathodic part of the pipeline.
- The grounding installation method for the ROC800 depends on whether the pipeline has cathodic protection. On pipelines with cathodic protection, the ROC must be electrically isolated from the pipeline. All earth grounds must have an earth-to-ground rod or grid impedance of 25 ohms or less, as measured with a ground system tester.

5. Wire the ROC800 through the terminal blocks on the front of each module. The terminal blocks accept 12 AWG or smaller wiring.

To connect the wire to the removable block compression terminals:

- Bare the end (¼ inch maximum) of the wire.
- Insert the bared end into the clamp beneath the termination screw.
- Tighten the screw.

The ROC800 should have a minimum of bare wire exposed to prevent short circuits. Allow some slack when making connections to prevent strain.

a. Connect the power wiring. First determine the power requirements and review the power wiring description in Chapter 3 of the ROC800-Series Remote Operations Controller Instruction Manual (part D301217X012).

Verify the hook-up polarity is correct.

To make DC power supply connections:

- If appropriate, perform the backup configuration and log data procedure.
- Optionally, install a surge protection device at the service disconnect.
- Remove all other power sources from the ROC800.
- Install a fuse at the input power source.
- Remove the terminal block connector from the socket.
- Insert each bared wire end from:
 - the 12-volt dc source into the clamp beneath the appropriate BAT+ / BAT– termination screw (see Figure 5) **OR**
 - the 24-volt dc source into the clamp beneath the appropriate + / - termination screw. The + terminal should also have a fuse (see Figure 5) **OR**

- the 11-30 volt dc source into the clamp beneath the appropriate +/- termination screws (see Figure 5)

Refer to Tables 1, 2, and 3 for power wiring connections.

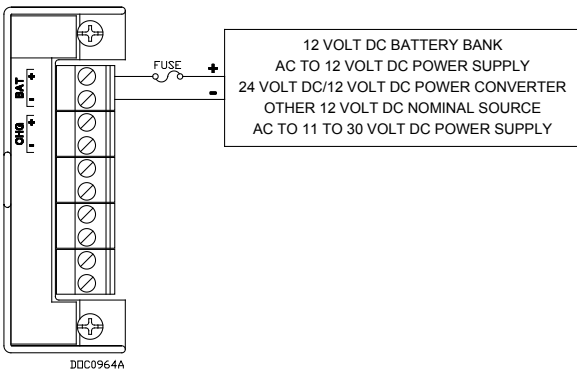


Figure 5. 12 V dc Power Supply and BAT+ / BAT- Wiring

- Screw each wire into the terminal block. Plug the terminal block connector back into the socket.
- If you are monitoring an external charge voltage (12-V dc Power Input Module only), wire the CHG+ and CHG- terminal block connector. Refer to Figure 6.

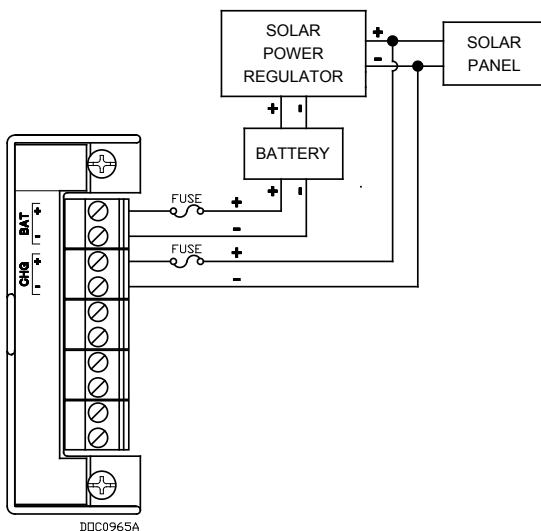


Figure 6. 12 V dc Power Supply and CHG+ / CHG- Wiring

- Replace all other power sources (if necessary) to the ROC800.
- b. Connect the wiring to the terminal blocks on the I/O and communications modules. Refer to Chapters 3 and 4 of the *ROC800-Series Remote Operations Controller Instruction Manual* (part D301217X012) for wiring schematics and explanations.
6. Press the wire channel covers into place over the wiring channels, once wiring of the terminal blocks is complete. See Figure 8.
7. To start up the ROC800, apply power to the ROC800. The LED indicator (labeled V_{OK} on the PM-12 or PM-30

power input modules or V_{12} on the PM-24 power input module) should light green to indicate that the applied voltage is correct. Then, the STATUS indicator on the CPU should light to indicate valid operation. Depending on the Power Saving Mode setting (available only on the PM-12 power input module), the STATUS indicator may not remain lit during operation. See Figure 8.

8. When startup is successful, configure the ROC800 to meet the requirements of the application. After you configure the ROC800 and calibrate the I/O and MVS, you can place the ROC800 into operation. Refer to the *ROCLINK 800 Configuration Software User Manual (for ROC800-Series)* (part D301250X012). When the ROC800 is in operation it performs flow calculations. During normal operation and use, no user adjustments on this device are required.

9. To maintain the ROC800, periodically inspect the wiring for signs of deterioration. The ROC800 may also require verification of the meter, MVS, and I/O calibration.

10. If you are experiencing problems that appear to be software related, try resetting the ROC800 with a warm start, cold start, or follow the procedure in the Note below.

Note: You lose all configuration and log data with a reset. Make a backup of configuration and log data before attempting any type of reset.

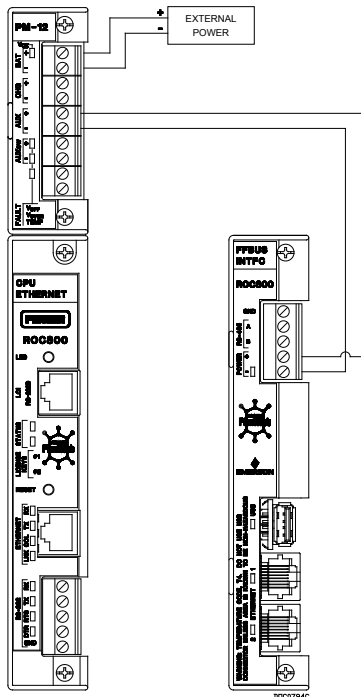
The RESET button on the front of the CPU module restores the unit to factory defaults (see Figure 8). To use the RESET button, remove power from the unit and firmly depress the button for 15 seconds with a pen or stylus while applying power. Refer to the *ROCLINK 800 Configuration Software User Manual (for ROC800-Series)* (part D301250X012) concerning warm and cold starts.

If you are experiencing problems that appear to be hardware-related, verify the wiring. If you still experience problems, contact your local sales office for return authorization.

11. To disassemble the ROC800, first back up all configuration and log data from the unit. Then remove all power from the unit and remove all external wiring from the modules.
12. Remove the ROC800 housing from the DIN rails by releasing the two DIN rail catches on the top of the back of the housing.
13. Place the ROC800 into a box for shipping or storage.

Wiring an FFI into the ROC827

If you need to include a FOUNDATION Fieldbus Interface (FFI) as an integral part of a Series 2 ROC827 (shown in *Figure 9*), wire the FFI to the ROC800 as shown in *Figure 7*.



Note: This is preferred wiring method, since it ensures that removing power from the ROC800 CPU also removes power from the FFI.

For more information on operating the FFI, refer to the *FOUNDATION Fieldbus Interface Instruction Manual* (part D301461X012). For more information on configuring the FFI, refer to the *Field Interface Configurator User Manual* (part D301575X012). For more information on safe use operation of the FFI, refer to *Safe Use Instructions – FOUNDATION Fieldbus Interface* (part D3011666X012).

Figure 7. ROC827 and FFI Wiring (FFI included in ROC827 Housing)

Table 1. 12 V DC Power Input Terminal Block Connections

Terminal Blocks	Description	Volts DC
BAT+ and BAT-	Accepts 12 volts dc nominal from an AC/DC converter or other 12 volts dc supply.	11.25 to 16 volts dc
CHG+ and CHG-	Analog Input used to monitor an external charging source.	0 to 18 volts dc
AUX+ and AUX-	Supplies reverse polarity protected source voltage to external devices.	BAT+ minus 0.7 volts dc
AUX _{SW} + and AUX _{SW} -	Supplies switched power for external devices.	BAT+ minus 0.7 volts dc

Table 2. 24 V DC Power Input Terminal Block Connections

Terminal Blocks	Description	Volts DC
+ and -	Accepts 24 volts dc nominal from an AC/DC converter or other 24 volts dc supply.	20 to 30 volts dc
AUX+ and AUX-	Supplies reverse polarity protected source voltage to external devices.	11.3 volts dc

Table 3. 30 VDC Power Input Terminal Block Connections

Terminal Blocks	Description	Volts DC
+ and -	Accepts 30 volts dc nominal from an AC/DC converter or other 30 volts dc supply.	11 to 30 volts dc
AUX+ and AUX-	Supplies reverse polarity protected source voltage (voltage output follows input) to external devices.	BAT+ minus 0.7 volts dc
AUX _{SW} + and AUX _{SW} -	Supplies switched power for external devices.	BAT+ minus 0.7 volts dc

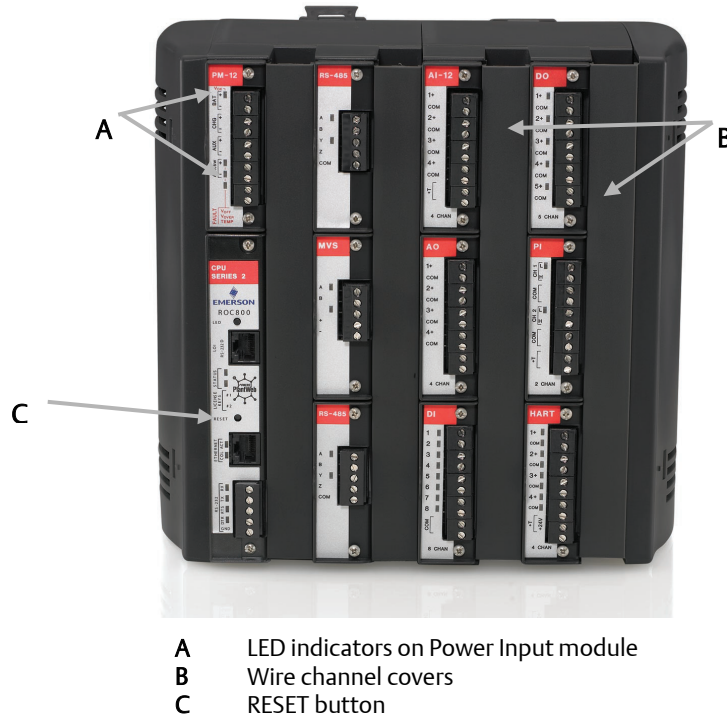


Figure 8. ROC809 Remote Operations Controller

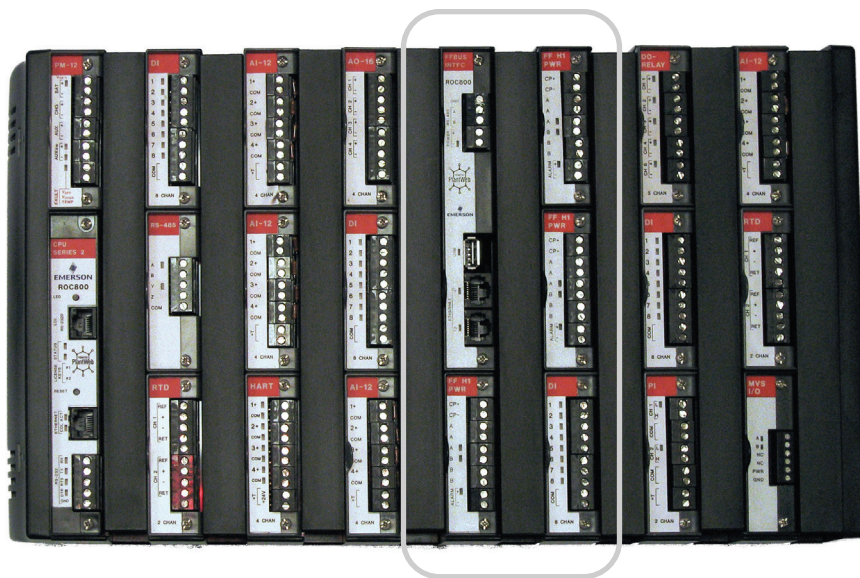


Figure 9. ROC827 with Installed Foundation Fieldbus Interface

For customer service and technical support, visit www.emersonprocess.com/remote/support

Headquarters:

Emerson Process Management

Remote Automation Solutions

6005 Rogerdale Road

Houston, TX 77072 U.S.A.

T +1 281 879 2699 | F +1 281 988 4445

www.EmersonProcess.com/Remote

Europe:

Emerson Process Management

Remote Automation Solutions

Unit 8, Waterfront Business Park

Dudley Road, Brierley Hill

Dudley UK DY5 1LX

T +44 1384 487200 | F +44 1384 487258

www.EmersonProcess.com/Remote

North American/Latin America:

Emerson Process Management

Remote Automation Solutions

6005 Rogerdale Road

Houston TX USA 77072

T +1 281 879 2699 | F +1 281 988 4445

www.EmersonProcess.com/Remote

Middle East/Africa:

Emerson Process Management

Remote Automation Solutions

Emerson FZE

P.O. Box 17033

Jebel Ali Free Zone – South 2

Dubai U.A.E.

T +971 4 8118100 | F +971 4 8865465

www.EmersonProcess.com/Remote

Asia-Pacific:

Emerson Process Management

Remote Automation Solutions

1 Pandan Crescent

Singapore 128461

T +65 6777 8211 | F +65 6777 0947

www.EmersonProcess.com/Remote

© 2005-2016 Remote Automation Solutions, a business unit of Emerson Process Management. All rights reserved.

Remote Automation Solutions, a business unit of Emerson Process Management, shall not be liable for technical or editorial errors in this manual or omissions from this manual. REMOTE AUTOMATION SOLUTIONS MAKES NO WARRANTIES, EXPRESSED OR IMPLIED, INCLUDING THE IMPLIED WARRANTIES OF MERCHANTABILITY AND FITNESS FOR A PARTICULAR PURPOSE WITH RESPECT TO THIS MANUAL AND, IN NO EVENT SHALL REMOTE AUTOMATION SOLUTIONS BE LIABLE FOR ANY INCIDENTAL, PUNITIVE, SPECIAL OR CONSEQUENTIAL DAMAGES INCLUDING, BUT NOT LIMITED TO, LOSS OF PRODUCTION, LOSS OF PROFITS, LOSS OF REVENUE OR USE AND COSTS INCURRED INCLUDING WITHOUT LIMITATION FOR CAPITAL, FUEL AND POWER, AND CLAIMS OF THIRD PARTIES.

Emerson Process Management Ltd, Remote Automation Solutions (UK), is a wholly owned subsidiary of Emerson Electric Co. doing business as Remote Automation Solutions, a business unit of Emerson Process Management. FloBoss, ROCLINK, ControlWave, Helicoid, and OpenEnterprise are trademarks of Remote Automation Solutions. AMS, PlantWeb, and the PlantWeb logo are marks owned by one of the companies in the Emerson Process Management business unit of Emerson Electric Co. Emerson Process Management, Emerson and the Emerson logo are trademarks and service marks of the Emerson Electric Co. All other marks are property of their respective owners.

The contents of this publication are presented for informational purposes only. While every effort has been made to ensure informational accuracy, they are not to be construed as warranties or guarantees, express or implied, regarding the products or services described herein or their use or applicability. Remote Automation Solutions reserves the right to modify or improve the designs or specifications of such products at any time without notice. All sales are governed by Remote Automation Solutions' terms and conditions which are available upon request. Remote Automation Solutions does not assume responsibility for the selection, use or maintenance of any product. Responsibility for proper selection, use and maintenance of any Remote Automation Solutions product remains solely with the purchaser and end-user.



ROC800-Serie Feld-Controller (Remote Operations Controller)

MODEL W40135 FLOW COMPUTER		
POWER MODULE	INPUT VOLTAGE AND RATED	MAXIMUM POWER
PM-12	BAT: 11.25 TO 16 VDC, CHG: 0 TO 18 VDC	46 WATTS
PM-24	POWER INPUT: 20 TO 30 VDC	46 WATTS
PM-30	POWER INPUT: 11 TO 30 VDC	76 WATTS

OPERATING AMBIENT TEMP: -40 TO +75°C
 Sira 05ATEX4046X
 IECEx CSA 15.0053X
 Ex nA IIC T4 Gc, -40°C ≤ Tamb ≤ +75°C

MUST BE INSTALLED IN IP54 OR BETTER ENCLOSURE OR EQUIVALENT LOCATION. INSTALL ASSEMBLY PER SAFE-USE INSTRUCTIONS PROVIDED.
 BATTERY REPLACEMENT TYPE: REFER TO SERVICE MANUAL
 FUSE REPLACEMENT: 2.5 AMP FAST-ACTING TYPE

FOUNDATION FIELDBUS INTERFACE RATINGS
 (WHEN INSTALLED & EXTERNALLY POWERED PER INSTRUCTIONS)
 POWER INPUT: 10 TO 30 VDC
 POWER: 42 WATTS MAX (INTERFACE & DOWNSTREAM MODULES)
 FUSE REPLACEMENT: 6.3 AMP SLO-BLO TYPE

WARNING: EXPLOSION HAZARD – DO NOT CONNECT/DISCONNECT WHILE CIRCUIT IS LIVE UNLESS AREA IS KNOWN TO BE NON-HAZARDOUS.

BRISTOL, INC. dba REMOTE AUTOMATION SOLUTIONS
 WATERTOWN, CT, USA

DOC0986A

Abbildung 1. Typenschild der Serie ROC800

Diese Anleitung zur sicheren Verwendung ergänzt die Betriebsanleitung für den ROC800-Serie Feld-Controller (Remote Operations Controller) (Teil D301217X012). In diesem Handbuch finden Sie ausführliche Warnungen, eine Installationsanleitung und Verfahren zur Problemlösung. Sollten Sie für dieses Produkt eine Schulung benötigen, wenden Sie sich bitte an Ihr örtliches Verkaufsbüro.

Der ROC800 (der Feld-Controller der ROC800-Serie) verfügt über eine ATEX-Zulassung und kann mit einem der im technischen Datenblatt *Feld-Controller der ROC800-Serie (ROC800 Remote Operations Controller)* aufgeführten, optionalen Kommunikations- oder I/O-Module bestellt werden.

Die Zulassung für dieses Gerät umfasst die folgenden speziellen Voraussetzungen zur sicheren Verwendung (X):

1. Wenn mit diesem Gerät der optionale externe MVS-Sensor verwendet wird, muss beachtet werden, dass dieser Sensor eine dünnwandige Membran enthält. Bei Installation, Betrieb und Wartung sind die Umgebungsbedingungen zu berücksichtigen, denen die Membran ausgesetzt ist. Bei der Geräteinstallation und -wartung sind die Anweisungen des Herstellers genau einzuhalten, um die Sicherheit während der erwarteten Gerätelebensdauer sicherzustellen.
2. Das Gerät in einem Gehäuse mit mindestens Schutzart IP54 oder an einer gleichwertigen Stelle installieren. Jedes Gehäuse muss für den Einsatzbereich (Zone 2) entsprechend zertifiziert oder zugelassen sein.
3. Sicherstellen, dass die Nenneingangsspannung im Betrieb nicht überschritten wird.

4. Sicherstellen, dass die verwendeten Kabel für mindestens 75 °C ausgelegt sind.
5. Bei Installation eines IEC 62591-Moduls oder einer FOUNDATION Feldbus-CPU im ROC800 darf der USB-Anschluss nicht in Ex-Bereichen verwendet werden.

Konformitätserklärung

Remote Automation Solutions erklärt hiermit, dass die Produkte der ROC800-Serie den grundlegenden Anforderungen und anderen relevanten Vorschriften der EU-Richtlinien 2004/108/EG (EMV) und 94/9/EG (ATEX) entsprechen.

**ACHTUNG**

Wenn Geräte in einem explosionsgefährdeten Bereich installiert werden, so muss darauf geachtet werden, dass alle ausgewählten Installationskomponenten für den Einsatz in solchen Bereichen zugelassen sind. Installations- und Wartungsarbeiten dürfen nur dann ausgeführt werden, wenn der Arbeitsbereich nicht in einer explosionsgefährdeten Zone liegt. Installations- und Wartungsarbeiten in einem explosionsgefährdeten Bereich können zu Personen- und/oder zu Sachschäden führen.

Vor der Verkabelung des Gerätes stets die Spannungsversorgung vom ROC800 trennen. Die Verkabelung bei an die Spannungsversorgung angeschlossenem Gerät kann zu Personen- und/oder Sachschäden führen.

Um elektrische Schäden bei Arbeiten im Geräteinneren zu vermeiden, müssen die erforderlichen Vorsichtsmaßnahmen zur Vermeidung elektrostatischer Entladungen eingehalten werden, zum Beispiel durch das Tragen eines Antistatikbands.

**ACHTUNG**

Vor dem Einschalten der Spannungsversorgung für den ROC800 die Polarität des Eingangsstroms prüfen.

Für Installation, Wartung sowie Störungsanalyse und -beseitigung sind die folgenden Hilfsmittel bzw. Werkzeuge erforderlich:

- PC mit Microsoft® Windows® 2000 (mit Service Pack 2), Windows XP, Windows Vista oder Windows 7
- Konfigurationsprogramm ROCLINK™ 800
- Kreuzschlitzschraubendreher
- Schlitzschraubendreher

Integriertes FOUNDATION™ Feldbus-Interface

In ein Gehäuse der ROC827 Serie 2 kann ein Foundation Feldbus-Interface eingesetzt werden. Weitere Informationen siehe *Verkabelung eines FFI im ROC827* in diesem Dokument.

Technische Daten

SPANNUNGSVERSORGUNG

12-VDC-Spannungsversorgungsmodul:

Betriebsbereich: 11,25 bis 16 VDC

Eingangsstrom: max. 5 A

24-VDC-Spannungsversorgungsmodul:

Betriebsbereich: 20 bis 30 VDC

Eingangsstrom: max. 2 A

30-VDC-Spannungsversorgungsmodul:

Betriebsbereich: 11 bis 30 VDC

Eingangsstrom: max. 7 A

WERKSTOFFE

Gehäuse: Kunststoff, ABS (Acrylonitril-Butadien-Styren)**Leiterkanalabdeckungen:** Kunststoff, Polypropylen**Module:** thermoplastisches Polyester,
lösungsmittelbeständig

UMGEBUNGSBEDINGUNGEN

Betriebstemperatur: –40 bis +75 °C**Lagerungstemperatur:** –40 bis +85 °C**Relative Luftfeuchtigkeit:** IEC68-2-3; 5–95 %
nichtkondensierend

GEWICHT

1,65 kg für Gehäuse, Rückwand und CPU

E/A-Module: variieren zwischen 49 und 60 g**Modem-Modul:** 113,4 g**Modul EIA-232 (RS-232):** 47,6 g**Modul EIA-422/485 (RS-422/485):** 49,9 g**MVS-Modul:** 61,2 g**12-VDC-Spannungsversorgungsmodul:** 97,5 g**24-VDC-Spannungsversorgungsmodul:** 120 g**30-VDC-Spannungsversorgungsmodul:** 91 g

ZULASSUNGEN

Bewertet gemäß folgenden europäischen Normen (EMV):

EN55011 (Emissionen)

EN61000-4-2 (Störfestigkeit gegen die Entladung statischer Elektrizität)

EN61000-4-3 (Störfestigkeit gegen hochfrequente elektromagnetische Felder)

EN61000-4-4 (Störfestigkeit gegen schnelle transiente elektrische Störgrößen)

EN61000-4-5 (Störfestigkeit gegen Stoßspannungen)

EN61000-4-6 (Störfestigkeit gegen leitungsgeführte Störgrößen)

Bewertet gemäß folgenden europäischen Normen (ATEX):

EN60079-0:2012

EN60079-15:2010

Sira-zertifiziert als Modell W40135

Bewertet gemäß folgenden Normen (IEC):

IEC 60079-0:2011 (6. Ausgabe)

IEC 60079-15:2010, 4. Ausgabe

Produktkennzeichnungen für explosionsgefährdete Bereiche:Ex nA IIC T4 Gc (–40 °C ≤ T_{amb} ≤ +75 °C),

Zert. Nr. Sira 05ATEX4046X

1. Der ROC800 wird in einem Karton geliefert. Das Gerät aus dem Karton herausnehmen.

2. Einen geeigneten Standort für den ROC800 wählen. Der ROC800 muss stets in einem Gehäuse (Kundenbeistellung) installiert werden, da er vor dem direkten Kontakt mit Regen, Schnee, Eis, Staub, Schmutz und korrosiven Atmosphären geschützt werden muss. Bei der Installation des ROC800 im Freien muss ein Gehäuse mit mindestens Schutzart IP54 verwendet werden.

Hinweis: Wird der ROC800 in ein Gehäuse eingebaut, die Antenne mit dem mitgelieferten Verlängerungskabel außerhalb des Gehäuses aufstellen. Alle für diesen Zweck angelegten Öffnungen verschließen, um die erforderliche Schutzart IP54 zu erhalten.

Bei der Auswahl des Einbauortes alle Abstände prüfen. Ausreichend Raum für die Kabel und für Wartungstätigkeiten freilassen. Siehe *Abbildung 2* und *Abbildung 3*.

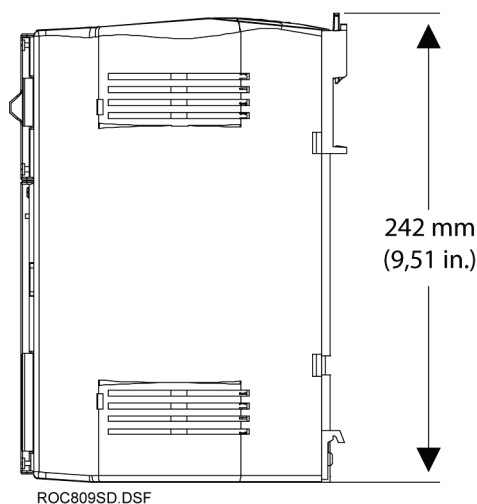


Abbildung 2. Seitenansicht des ROC809

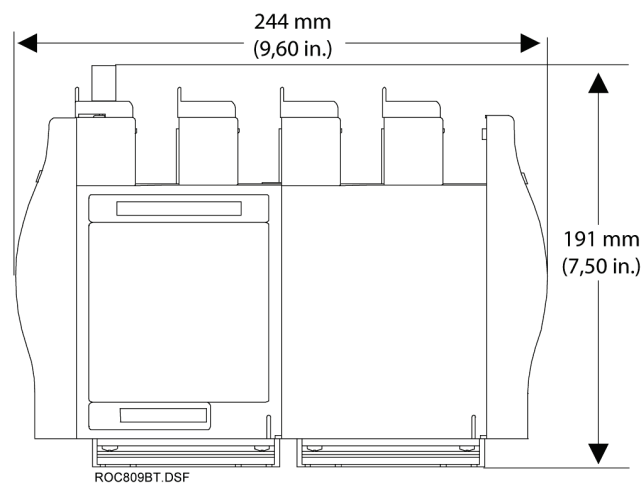
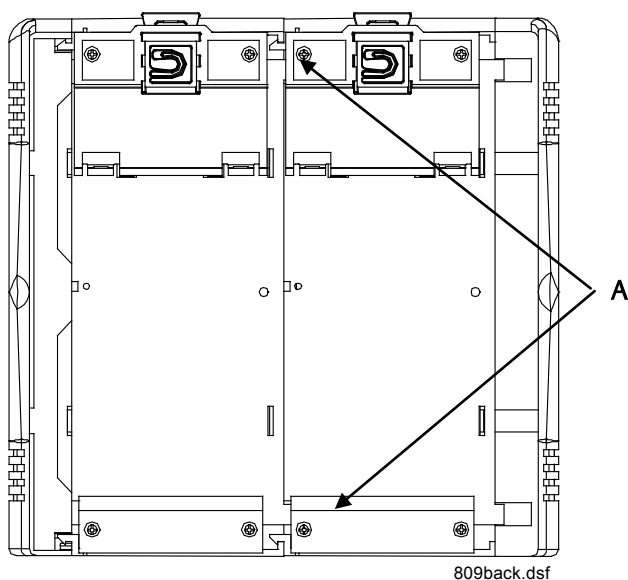


Abbildung 3. Ansicht des ROC809 von unten

3. Das ROC800-Gehäuse kann auf zwei DIN-Schienen 35 x 7,5 mm montiert werden. Siehe *Abbildung 4*.

- Die obere DIN-Schiene am ROC800 befestigen.
- Die untere DIN-Schiene an der Rückwand befestigen.
- Den ROC800 auf die untere, an der Rückwand befestigte Schiene setzen und die untere Kante des ROC800 mit der Schalttafel bündig ausrichten.
- Den ROC800 oben drehen, bis er mit der Schalttafel bündig ist.
- Den oberen Streifen der DIN-Schiene an der Schalttafel befestigen.



A DIN-Schienenmontage

Abbildung 4. Rückseite des ROC809

4. Wenn in Ihrem Unternehmen keine besonderen Erdungsanforderungen gelten, die ROC800-Einheit als System mit potenzialfreier Masse (ohne Erdung) installieren. Andernfalls die speziellen Erdungsverfahren Ihres Unternehmens ausführen. Wenn jedoch eine Verbindung zwischen einem geerdeten Gerät und einem ROC800 EIA-232 (RS-232)-Anschluss hergestellt wird, muss die Spannungsversorgung des ROC800 geerdet werden.

Wenn das Gerät geerdet werden muss, sind die folgenden Richtlinien zu beachten:

- Wenn das Gerät mit einer Gleichspannungsquelle versorgt wird, muss die Erdung an der Spannungseinspeisung abgeschlossen werden. Alle Geräteerdungsleiter – einschließlich Kabel oder in Kabelrohr verlegte Spannungsversorgungsleiter – müssen einen ununterbrochenen elektrischen Pfad zur Spannungseinspeisung bilden.
- Unsachgemäße oder minderwertig ausgeführte Erdung kann oft Probleme verursachen, wie z. B. Erdungsschleifen im System. Eine gute Erdung der ROC-Einheit kann Einflüsse durch elektrisches Rauschen auf den Betrieb der ROC-Einheit verringern und schützt vor Überspannungen. Bei Systemen mit Gleichspannungsversorgung sollte zum Schutz der installierten Geräte vor Blitzschlag und

Überspannungen ein Überspannungsschutzgerät an der Spannungseinspeisung installiert werden. Außerdem kann für das Analogmodem-Kommunikationsmodul ein Überspannungsschutz vorgesehen werden.

- Eine Rohrleitung mit kathodischem Schutz bietet keine gute Erdung. Die gemeinsame Masseleitung nicht an den kathodischen Teil einer Rohrleitung anbinden.
- Die Ausführung der Erdungsinstallation für den ROC800 ist davon abhängig, ob die Rohrleitung mit einem kathodischen Schutz ausgestattet ist. Bei Rohrleitungen mit kathodischem Schutz muss der ROC von der Rohrleitung elektrisch getrennt werden. Bei allen Erdungen darf die mit einem Erdungsprüfgerät gemessene Impedanz des Erdungsstabs oder -netzes maximal 25 Ohm betragen.

5. Den ROC800 über die Anschlussklemmenblöcke vorne an jedem Modul verkabeln. Die Anschlussklemmenblöcke können maximal Leiter mit einem Durchmesser von 2,05 mm (12 AWG) aufnehmen.

Anschluss der Leiter an die abnehmbare Klemmenleiste:

- Leiterende abisolieren (maximal 6 mm [1/4 in.]).
- Das abisolierte Ende in die Klemme unterhalb der Klemmschraube einführen.
- Schraube anziehen.

Um Kurzschlüsse zu vermeiden, sollten die Leiter des ROC800 so kurz wie möglich abisoliert werden. Bei der Herstellung von Verbindungen auf Zugentlastung achten.

a. Verkabelung der Spannungsversorgung anschließen. Zuerst die erforderliche Spannungsversorgung bestimmen und die Beschreibung für die Verkabelung der Spannungsversorgung in *Kapitel 3 der Betriebsanleitung für den ROC800-Serie Feld-Controller (Remote Operations Controller) (Teil D301217X012)* lesen.

Anschluss auf richtige Polarität überprüfen.

Anschlüsse zur Gleichspannungsversorgung herstellen:

- Falls erforderlich, die Konfigurations- und Protokoll Daten sichern.
- Optional einen Überspannungsschutz an der Spannungseinspeisung installieren.
- Alle anderen Spannungsquellen vom ROC800 trennen.
- Die Eingangsspannungsquelle mit einer Sicherung absichern.
- Den Stecker des Anschlussklemmenblocks von der Steckdose trennen.
- Die abisolierten Leiter wie folgt einführen:
 - von der 12-Volt-Gleichspannungsquelle in die Klemme unter der entsprechenden BAT+/BAT-Klemmschraube (siehe *Abbildung 5*) ODER
 - von der 24-Volt-Gleichspannungsquelle in die Klemme unter der entsprechenden Klemmschraube (+/-). Die Plusklemme ist ebenfalls mit einer Sicherung zu versehen (siehe *Abbildung 5*) ODER
 - von der 11- bis 30-Volt-Gleichspannungsquelle in die Klemme unter den entsprechenden Klemmschrauben +/- (siehe *Abbildung 5*).

Anschlüsse der Spannungsversorgung siehe *Tabelle 1, 2 und 3.*

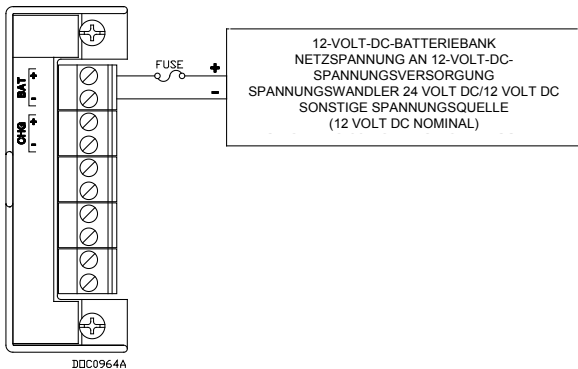


Abbildung 5. 12-V-Gleichspannungsversorgung und BAT+/BAT-Verkabelung

- Alle Leiter im Anschlussklemmenblock festschrauben. Den Stecker des Anschlussklemmenblocks wieder in die Steckerleiste einsetzen.
- Wenn eine externe Ladespannung (nur 12-VDC-Spannungsversorgungsmodul) überwacht werden soll, die Klemmen CHG+ und CHG- des Anschlussklemmenblocks verkabeln. Siehe *Abbildung 6.*

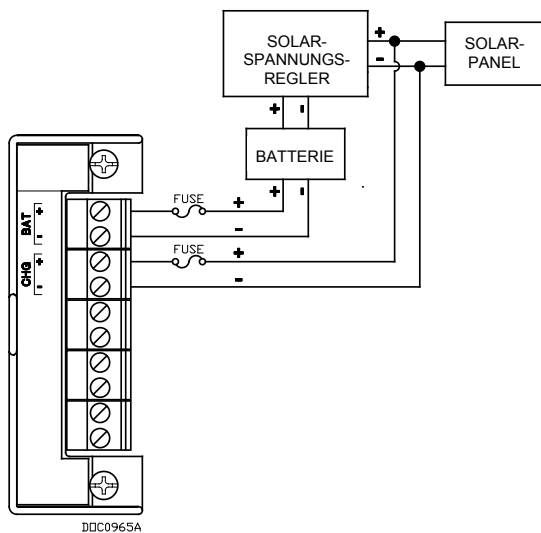


Abbildung 6. 12-V-Gleichspannungsversorgung und CHG+/CHG-Verkabelung

- Alle anderen Spannungsquellen wieder am ROC800 anschließen (falls erforderlich).
- b.** Die Verkabelung an den Anschlussklemmenblöcken der E/A- und Kommunikationsmodule anschließen. Verkabelungspläne und Erläuterungen siehe *Kapitel 3 und 4 der Betriebsanleitung für den ROC800-Serie Feld-Controller (Remote Operations Controller)* (Teil D301217X012).
- 6.** Wenn die Verkabelung der Anschlussklemmenblöcke abgeschlossen ist, die Leiterkanalabdeckungen über den Kabelkanälen schließen. Siehe *Abbildung 8.*
- 7.** Zur Inbetriebnahme des ROC800 die Spannungsversorgung einschalten. Die LED-Anzeige (Bezeichnung V_{OK} an den Spannungsversorgungsmodulen PM-12 oder PM-30 oder V_{12} am Spannungsversorgungsmodul PM-24) leuchtet grün, wenn die

angelegte Spannung richtig ist. Dann muss die STATUS-Anzeige an der CPU leuchten, um einen normalen Betrieb anzuzeigen. Je nach Energiesparmodus-einstellung (nur verfügbar im Spannungsversorgungsmodul PM-12) leuchtet die STATUS-Anzeige beim Betrieb ggf. nicht weiter. Siehe *Abbildung 8.*

- 8.** Wenn das System erfolgreich hochgefahren wurde, den ROC800 entsprechend den Anforderungen der Anwendung konfigurieren. Nach der ROC800-Konfiguration sowie E/A- und MVS-Kalibrierung kann der ROC800 in Betrieb genommen werden. Siehe *Betriebsanleitung des ROCLINK 800 Konfigurationsprogramms (für ROC800-Serie)* (Teil D301250X012). Im Betrieb führt der ROC800 Durchflussberechnungen durch. Beim normalen Betrieb und Einsatz sind für dieses Gerät keine Einstellungen durch den Benutzer erforderlich.
- 9.** Zur Wartung des ROC800 die Verkabelung regelmäßig auf Anzeichen von Verschleiß überprüfen. Es kann für den ROC800 außerdem erforderlich sein, die Messsystem-, MVS- und E/A-Kalibrierung zu überprüfen.
- 10.** Wenn Probleme auftreten, die möglicherweise auf die Software zurückzuführen sind, den ROC800 mit einem Warmstart, Kaltstart oder mit dem Verfahren im folgenden Hinweis zurücksetzen.

Hinweis: Beim Zurücksetzen gehen alle Konfigurations- und Protokoll Daten verloren. Vor jedem Rücksetzversuch sollten Konfigurations- und Protokoll Daten gesichert werden.

Mit der RESET-Taste auf der Vorderseite des CPU-Moduls wird das Gerät auf die Werkseinstellungen zurückgesetzt (siehe *Abbildung 8*). Zur Verwendung der RESET-Taste das Gerät ausschalten, die Taste 15 Sekunden lang mit einem Stift oder Stylus fest gedrückt halten und das Gerät dabei wieder einschalten. Warm- und Kaltstarts siehe *Betriebsanleitung des ROCLINK 800 Konfigurationsprogramms (für ROC800-Serie)* (Teil D301250X012).

Falls Probleme auftreten, deren Ursache in der Hardware vermutet wird, die Verkabelung prüfen. Falls die Probleme weiterhin bestehen, wenden Sie sich an Ihr lokales Vertriebsbüro, um eine Rückgabegenehmigung zu erhalten.

- 11.** Wenn der ROC800 zerlegt werden soll, zuerst alle Konfigurations- und Protokoll Daten vom Gerät sichern. Dann alle Spannungsquellen vom Gerät und alle externe Verkabelung von den Modulen entfernen.
- 12.** Das ROC800-Gehäuse von den DIN-Schienen abnehmen. Dazu die beiden DIN-Schienenverriegelungen oben auf der Gehäuserückseite lösen.
- 13.** Für Versand oder Lagerung den ROC800 in einen Karton legen.

Verkabelung eines FFI im ROC827

Wenn ein FOUNDATION Feldbus-Interface (FFI) in einen ROC827 Serie 2 (siehe *Abbildung 9*) integriert werden soll, das FFI wie in *Abbildung 7* dargestellt mit dem ROC800 verkabeln.

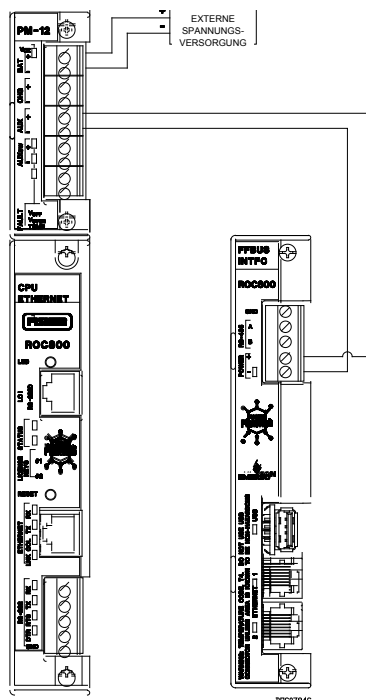


Abbildung 7. ROC827 und FFI-Verkabelung
(FFI im ROC827-Gehäuse enthalten)

Hinweis: Diese Verkabelungsmethode wird bevorzugt, weil sie sicherstellt, dass beim Stromlosschalten der ROC800-CPU auch das FFI stromlos geschaltet wird.

Weitere Informationen zum Betrieb des FFI finden Sie in der *FOUNDATION Feldbus Interface-Betriebsanleitung* (Teil D301461X012). Weitere Informationen zur Konfiguration des FFI finden Sie im *Field Interface Konfigurationshandbuch* (Teil D301575X012). Weitere Informationen zur sicheren Verwendung des FFI finden Sie unter *Anleitung zur sicheren Verwendung – FOUNDATION Feldbus-Interface* (Teil D3011666X012).

Tabelle 1. 12-VDC-Spannungsversorgungsanschlüsse am Anschlussklemmenblock

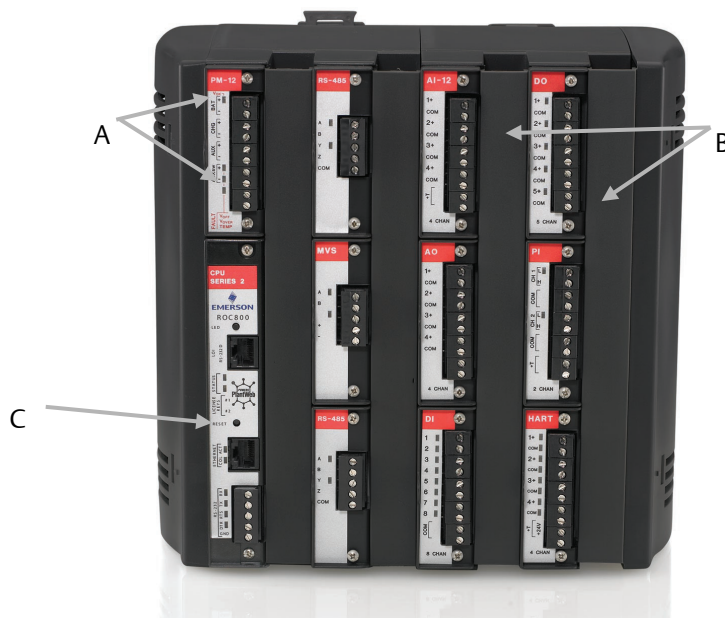
Anschlussklemmen	Beschreibung	Volt DC
BAT+ und BAT-	für 12 Volt DC nominal von einem AC/DC-Wandler oder einer anderen 12-V-Gleichspannungsversorgung	11,25 bis 16 Volt DC
CHG+ und CHG-	Analogeingang zur Überwachung einer externen Ladequelle	0 bis 18 Volt DC
AUX+ und AUX-	verpolungsgeschützte Spannungsversorgung für externe Geräte	BAT+ minus 0,7 Volt DC
AUX _{SW} + und AUX _{SW} -	geschaltete Spannungsversorgung für externe Geräte	BAT+ minus 0,7 Volt DC

Tabelle 2. 24-VDC-Spannungsversorgungsanschlüsse am Anschlussklemmenblock

Anschlussklemmen	Beschreibung	Volt DC
+ und -	für 24 Volt DC nominal von einem AC/DC-Wandler oder einer anderen 24-V-Gleichspannungsversorgung	20 bis 30 Volt DC
AUX+ und AUX-	verpolungsgeschützte Spannungsversorgung für externe Geräte	11,3 Volt DC

Tabelle 3. 30-VDC-Spannungsversorgungsanschlüsse am Anschlussklemmenblock

Anschlussklemmen	Beschreibung	Volt DC
+ und -	für 30 Volt DC nominal von einem AC/DC-Wandler oder einer anderen 30-V-Gleichspannungsversorgung	11 bis 30 Volt DC
AUX+ und AUX-	verpolungsgeschützte Spannungsversorgung (Spannungsausgang folgt Eingang) für externe Geräte	BAT+ minus 0,7 Volt DC
AUX _{SW} + und AUX _{SW} -	geschaltete Spannungsversorgung für externe Geräte	BAT+ minus 0,7 Volt DC



- A LED-Anzeigen am Spannungsversorgungsmodul
- B Leiterkanalabdeckungen
- C RESET-Taste

Abbildung 8. ROC809 Fern-Controller (Remote Operations Controller)

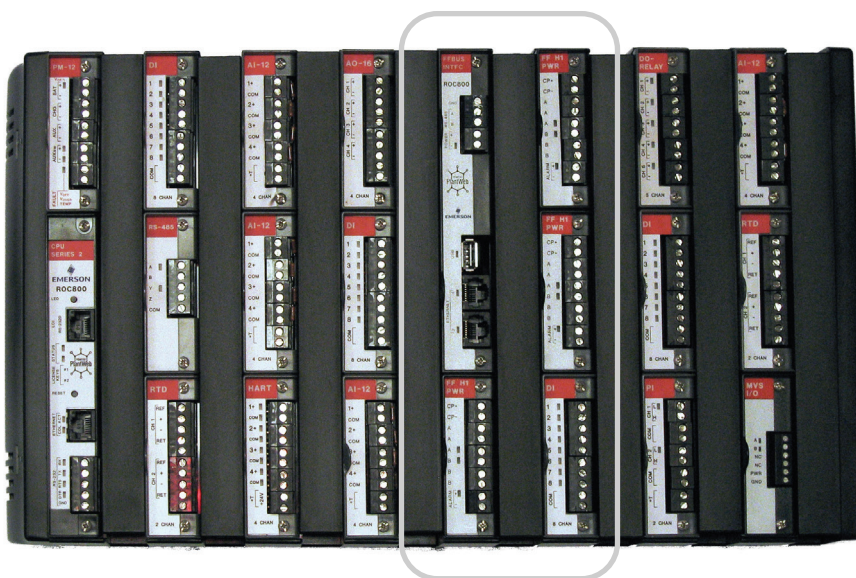


Abbildung 9. ROC827 mit installiertem Foundation Fieldbus-Interface

Kundendienst und technische Unterstützung
finden Sie unter

www.emersonprocess.com/remote/support

Hauptsitz:

Emerson Process Management

Remote Automation Solutions

6005 Rogerdale Road

Houston, TX 77072, USA

Tel.: +1 281 879 2699 |

Fax: +1 281 988 4445

www.EmersonProcess.com/Remote

Europa:

Emerson Process Management

Remote Automation Solutions

Unit 8, Waterfront Business Park

Dudley Road, Brierley Hill

Dudley UK DY5 1LX

Tel.: +44 1384 487200 |

Fax: +44 1384 487258

www.EmersonProcess.com/Remote

Nordamerika/Lateinamerika:

Emerson Process Management

Remote Automation Solutions

6005 Rogerdale Road

Houston TX 77072, USA

Tel.: +1 281 879 2699 |

Fax: +1 281 988 4445

www.EmersonProcess.com/Remote

Naher Osten/Afrika:

Emerson Process Management

Remote Automation Solutions

Emerson FZE

P.O. Box 17033

Jebel Ali Free Zone – South 2

Dubai, Vereinigte Arabische Emirate

Tel.: +971 4 8118100 |

Fax: +971 4 8865465

www.EmersonProcess.com/Remote

Asien/Pazifik:

Emerson Process Management

Remote Automation Solutions

1 Pandan Crescent

Singapore 128461

Tel.: +65 6777 8211 |

Fax: +65 6777 0947

www.EmersonProcess.com/Remote

© 2005–2016 Remote Automation Solutions, ein Geschäftsbereich von Emerson Process Management. Alle Rechte vorbehalten.

Remote Automation Solutions, ein Geschäftsbereich von Emerson Process Management, ist nicht für technische oder redaktionelle Fehler bzw. Auslassungen in dieser Anleitung haftbar. REMOTE AUTOMATION SOLUTIONS ÜBERNIMMT KEINE GARANTIE IN HINBLICK AUF DIESE ANLEITUNG, WEDER AUSDRÜCKLICH NOCH STILLSCHWEIGEND, EINSCHLIESSLICH DER STILLSCHWEIGENDEN GARANTIE FÜR GEBRAUCHSTAUGLICHKEIT UND EIGNUNG FÜR EINEN BESTIMMTEN ZWECK, UND REMOTE AUTOMATION SOLUTIONS IST UNTER KEINEN UMSTÄNDEN FÜR ZUFÄLLIGE, BESONDERE UND FOLGESCHÄDEN SOWIE BUSSGELDZAHLUNGEN HAFTBAR, EINSCHLIESSLICH UNTER ANDEREM AUFGRUND VON PRODUKTIONSVERLUST, GEWINNVERLUST, UMSATZEINBUSSEN ODER ENTSTANDENEN KOSTEN FÜR DIE VERWENDUNG VON EINSCHLIESSLICH UNTER ANDEREM KAPITAL, KRAFTSTOFF UND STROM ODER DURCH ANSPRÜCHE DRITTER.

Emerson Process Management Ltd, Remote Automation Solutions (UK) ist eine hundertprozentige Tochtergesellschaft von Emerson Electric Co. und unter dem Geschäftsnamen Remote Automation Solutions, ein Geschäftsbereich von Emerson Process Management, tätig. FloBoss, ROCLINK, ControlWave, Helicoid und OpenEnterprise sind eingetragene Marken von Remote Automation Solutions. AMS, PlantWeb und das PlantWeb-Logo sind Markennamen, die sich im Besitz eines der Unternehmen des Geschäftsbereichs Emerson Process Management der Emerson Electric Co. befinden. Emerson Process Management, Emerson und das Emerson-Logo sind Marken und Dienstleistungsmarken der Emerson Electric Co. Alle anderen Marken sind Eigentum der jeweiligen Rechteinhaber.

Der Inhalt dieser Veröffentlichung dient ausschließlich zu Informationszwecken. Obwohl große Sorgfalt zur Gewährleistung ihrer Exaktheit aufgewendet wurde, können diese Informationen nicht zur Ableitung von Garantie- oder Gewährleistungsansprüchen, ob ausdrücklicher Art oder stillschweigend, hinsichtlich der in dieser Publikation beschriebenen Produkte oder Dienstleistungen oder ihres Gebrauchs oder ihrer Verwendbarkeit herangezogen werden. Remote Automation Solutions behält sich das Recht vor, jederzeit und ohne Vorankündigung die Konstruktion und technischen Daten der Produkte zu ändern oder zu verbessern. Für alle Verkäufe gelten die allgemeinen Geschäftsbedingungen von Remote Automation Solutions, die auf Anfrage zur Verfügung gestellt werden. Remote Automation Solutions übernimmt keine Verantwortung bezüglich der Auswahl, Verwendung oder Wartung der einzelnen Produkte. Die Verantwortung bezüglich der Auswahl, Verwendung und Wartung der Produkte von Remote Automation Solutions liegt allein beim Käufer.



Contrôleur à distance série ROC800

MODEL W40135 FLOW COMPUTER		
POWER MODULE	INPUT VOLTAGE AND RATED	MAXIMUM POWER
PM-12	BAT: 11.25 TO 16 VDC, CHG: 0 TO 18 VDC	46 WATTS
PM-24	POWER INPUT: 20 TO 30 VDC	46 WATTS
PM-30	POWER INPUT: 11 TO 30 VDC	76 WATTS

OPERATING AMBIENT TEMP: -40 TO +75°C
Sira 05ATEX4046X
IECEX CSA 15.0053X
Ex nA IIC T4 Gc, -40°C ≤ Tamb ≤ +75°C

MUST BE INSTALLED IN IP54 OR BETTER ENCLOSURE OR EQUIVALENT LOCATION. INSTALL ASSEMBLY PER SAFE-USE INSTRUCTIONS PROVIDED.
BATTERY REPLACEMENT TYPE: REFER TO SERVICE MANUAL
FUSE REPLACEMENT: 2.5 AMP FAST-ACTING TYPE

FOUNDATION FIELDBUS INTERFACE RATINGS
(WHEN INSTALLED & EXTERNALLY POWERED PER INSTRUCTIONS)
POWER INPUT: 10 TO 30 VDC
POWER: 42 WATTS MAX (INTERFACE & DOWNSTREAM MODULES)
FUSE REPLACEMENT: 6.3 AMP SLO-BLO TYPE

WARNING: EXPLOSION HAZARD – DO NOT CONNECT/DISCONNECT WHILE CIRCUIT IS LIVE UNLESS AREA IS KNOWN TO BE NON-HAZARDOUS.

BRISTOL, INC. dba REMOTE AUTOMATION SOLUTIONS
WATERTOWN, CT, USA

W11411X0022

DOC0986A

Figure 1. Plaque signalétique de la série ROC800

Utilisez les présentes consignes avec le *Manuel d'instruction du contrôleur à distance de la série ROC800* (réf. D301217X012). Consultez ce manuel pour obtenir toutes les mesures de précaution, explications d'installation et procédures de dépannage. Pour obtenir une formation relative à ce produit, contactez votre bureau commercial Emerson local.

Le contrôleur à distance de la série ROC800 (« ROC800 ») certifié ATEX peut être commandé avec n'importe laquelle des options de communication ou n'importe lequel des modules E/S répertoriés dans la fiche de spécifications *Contrôleurs à distance de la série ROC800* (ROC800).

Le certificat de cet équipement prévoit les conditions spéciales suivantes pour un usage en toute sécurité (X) :

1. En cas d'utilisation du capteur MVS à distance avec cet équipement, notez que celui-ci contient une fine membrane. L'installation, la maintenance et l'utilisation doivent tenir compte de l'environnement auquel la membrane est soumise. Lors de la pose et de la maintenance de cet appareil, observez en détails les instructions du fabricant afin de garantir la sécurité pendant sa durée de vie escomptée.
2. Installez l'équipement dans un coffret IP54 ou de spécification supérieure, ou dans un emplacement équivalent. Tout coffret utilisé doit être accompagné d'une certification adéquate ou approuvée pour la zone d'utilisation (zone 2).
3. Veillez à ce que la tension nominale en entrée ne soit pas dépassée en cours de fonctionnement.
4. Assurez-vous que les conducteurs de câble utilisés soient spécifiés pour une température de 75 °C minimum.

5. En cas d'installation d'un module CEI 62591 ou d'une unité centrale FOUNDATION Fieldbus sur le ROC800, n'utilisez pas de connecteur USB au sein d'une zone à risque.

Déclaration de conformité

Par la présente, Remote Automation Solutions déclare que les produits de la série ROC800 sont conformes aux exigences essentielles et autres provisions applicables des directives européennes 2004/108/CE (CEM) et 94/9/CE (ATEX).



ATTENTION

Si les unités sont installées dans une zone dangereuse, assurez-vous que les étiquettes des composants sélectionnés autorisent leur usage dans une telle zone. L'installation et la maintenance ne doivent être effectuées que lorsque la zone ne présente aucun risque. L'installation ou la maintenance dans une zone dangereuse peuvent entraîner des blessures ou des dégâts matériels.

Interrompez toujours l'alimentation au ROC800 avant toute intervention sur le câblage. Toute intervention sur un équipement sous tension pourrait entraîner des blessures ou des dégâts matériels.

Pour éviter d'endommager les circuits lors d'une intervention à l'intérieur de l'unité, prenez les précautions pertinentes concernant les décharges électrostatiques, notamment le port d'un bracelet antistatique.



ATTENTION

Vérifiez la polarité de l'alimentation en entrée avant de raccorder le ROC800 à l'alimentation.

Les outils suivants sont nécessaires pour l'installation, la maintenance et le dépannage :

- Ordinateur personnel exécutant Microsoft® Windows® 2000 (avec Service Pack 2), Windows XP, Windows Vista, ou Windows 7
- Logiciel de configuration ROCLINK™ 800
- Tournevis Phillips (cruciforme)
- Tournevis à tête plate

Interface FOUNDATION™ Fieldbus intégrée

Vous pouvez installer une interface Foundation Fieldbus dans un coffret ROC827 de la série 2. Pour plus d'informations, reportez-vous à la section *Câblage d'un FFI au sein du ROC827* de ce document.

Caractéristiques

ALIMENTATION

Module d'alimentation en entrée de 12 Vcc

Gamme de fonctionnement : 11,25 à 16 Vcc
Courant en entrée : 5 A maximum

Module d'alimentation en entrée de 24 Vcc

Gamme de fonctionnement : 20 à 30 Vcc
Courant en entrée : 2 A maximum

Module d'alimentation en entrée de 30 Vcc

Gamme de fonctionnement : 11 à 30 Vcc
Courant en entrée : 7 A maximum

ÉQUIPEMENT

Boîtier : plastique à base d'acrylonitrile-butadiène-styrène (ABS)

Caches de profilé de câblage : plastique à base de polypropylène

Modules : polyester thermoplastique, résistant aux solvants

CONDITIONS AMBIANTES

Température de service : -40 à +75 °C

Température de stockage : -40 à +85 °C

Humidité relative : CEI 68-2-3; 5-95 % hors condensation

POIDS

1,65 kg (boîtier, fond de panier et unité centrale)

Modules E/S : Varie entre 49 et 60 g

Module de modem : 113,4 g

Module EIA-232 (RS-232) : 47,6 g

Module EIA-422/485 (RS-422/485) : 49,9 g

Module MVS : 61,2 g

Module d'alimentation en entrée de 12 Vcc 97,5 g

Module d'alimentation en entrée de 24 Vcc 120 g

Module d'alimentation en entrée de 30 Vcc 91 g

CERTIFICATIONS

Évaluation en conformité aux normes européennes suivantes (CEM) :

EN55011 (Émissions)

EN61000-4-2 (Immunité aux décharges électrostatiques)

EN61000-4-3 (Immunité aux décharges électromagnétiques)

EN61000-4-4 (Immunité aux transitoires électriques rapides)

EN61000-4-5 (Immunité aux surtensions)

EN61000-4-6 (Immunité aux perturbations par conduction)

Évaluation en conformité aux normes européennes suivantes (ATEX) :

EN60079-0:2012

EN60079-15:2010.

Certifié par Sira en tant que modèle W40135

Évaluation en conformité aux normes suivantes (CEI) :

CEI 60079-0:2011 (6e Édition)

CEI 60079-15:2010, 4e Édition

Marquages du produit pour les zones dangereuses :

Ex nA IICT4 Gc (-40 °C ≤ T_{amb} ≤ +75 °C)



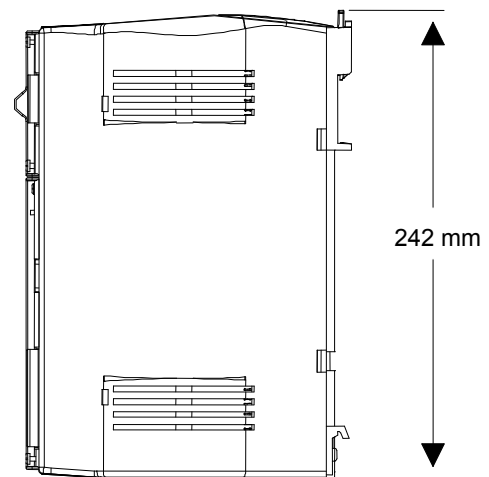
Cert. Sira n° 05ATEX4046X

1. Le ROC800 vous est livré dans un carton. Retirez-le du carton.

2. Trouvez un emplacement convenable pour le ROC800. Le ROC800 doit être protégé de toute exposition directe à la pluie, à la neige, à la glace, à des projections de poussières et de débris, ainsi qu'aux atmosphères corrosives. Installez-le donc toujours dans un coffret fourni par l'utilisateur. Si le ROC800 est installé à l'extérieur d'un bâtiment, il doit être placé dans un coffret offrant une protection de type IP54 ou supérieure.

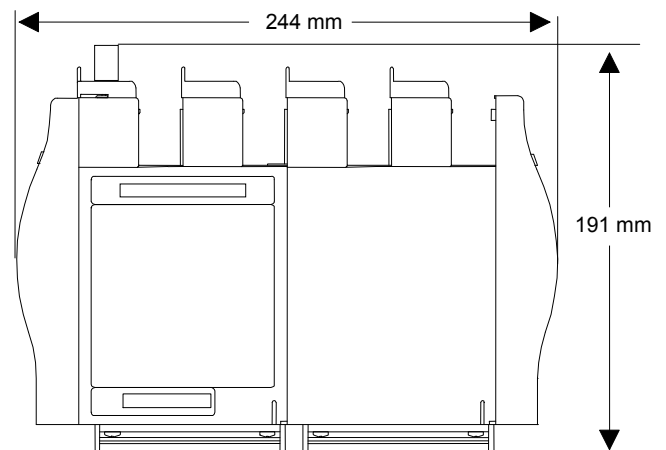
Remarque : si vous placez le ROC800 à l'intérieur d'un coffret, utilisez le câble de rallonge fourni afin de placer l'antenne en dehors du coffret. Scellez tout orifice percé dans le coffret à cet effet afin de préserver la protection IP54 requise.

Lors du choix d'un coffret, assurez-vous de bien vérifier tous les dégagements. Veillez à laisser un espace suffisant pour le câblage et l'entretien. Voir la Figure 2 et la Figure 3.



ROC809SD.DSF

Figure 2. Vue latérale du ROC809



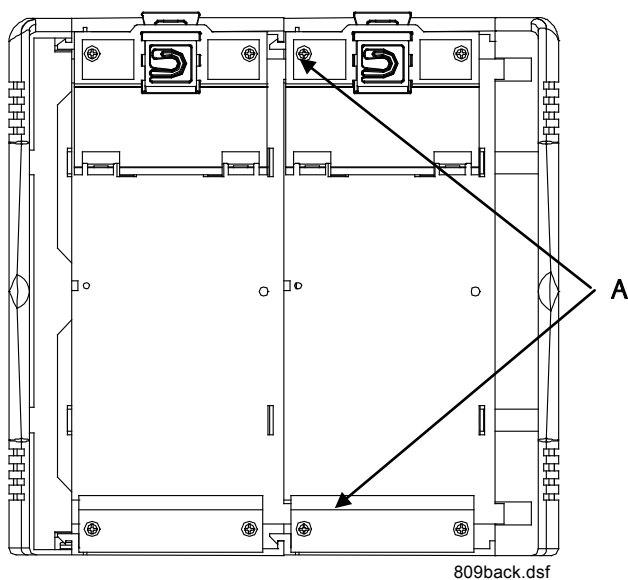
ROC809BT.DSF

Figure 3. Vue inférieure du ROC809

3. Le boîtier ROC800 se monte sur deux rails DIN de 35 x 7,5 mm. Voir la Figure 4.

- Montez les rails DIN supérieurs sur le ROC800.

- Montez les rails DIN inférieurs sur le fond de panier.
- Installez le ROC800 sur le rail inférieur monté sur le fond de panier, en veillant à ce que le bord inférieur du ROC800 soit bien appuyé contre le panneau.
- Faites pivoter le haut du ROC800 jusqu'à ce qu'il affleure le panneau.
- Attachez la partie supérieure du rail DIN au panneau.



A Montage sur rail DIN

Figure 4. Dos du ROC800

4. S'il n'existe aucune spécification particulière de mise à la terre au sein de votre société, installez l'unité ROC800 en tant que système « flottant » (non mis à la terre). Sinon, observez les pratiques de mise à la terre observées au sein de votre société. Si toutefois vous effectuez une connexion entre un appareil mis à la terre et un port EIA-232 (RS-232), mettez l'alimentation du ROC800 à la terre.

Si vous devez mettre l'équipement à la terre, observez les directives suivantes.

- Lorsque l'équipement fonctionne sur une source d'alimentation CC, le système de mise à la terre doit se terminer au niveau du sectionneur d'entretien. Tous les conducteurs de mise à la terre de l'équipement, et notamment les fils ou les conduits reliant les conducteurs, doivent fournir un trajet électrique jusqu'au sectionneur d'entretien.
- Une mise à la terre incorrecte ou médiocre peut souvent être à l'origine de problèmes tels que l'introduction de boucles de masse au sein du système. La mise à la terre correcte du ROC permet de réduire les effets de bruit électrique lors du fonctionnement de l'unité et protège celle-ci contre la foudre. Installez un dispositif de protection contre les surtensions au niveau du sectionneur d'entretien sur les systèmes de source de tension CC pour offrir la protection contre la foudre et les surtensions sur les équipements installés. Vous pouvez également envisager d'acquérir un dispositif de protection contre les surtensions du téléphone pour le module de communications du modem commuté.

- Une conduite dotée d'une protection cathodique ne constitue pas une masse correcte. Ne raccordez pas le branchement commun à la partie cathodique de la conduite.
- La méthode d'installation d'un circuit de masse pour le ROC800 dépend de l'existence (ou non) d'une protection cathodique au niveau de la conduite. Sur les conduites dotées d'une protection cathodique, le ROC doit être électriquement isolé de la conduite. Toutes les prises de terre doivent posséder une tige de mise à la terre ou une grille d'impédance de 25 ohms ou moins, à mesurer avec un testeur de système de mise à la terre.

5. Acheminez le câblage du ROC800 via les borniers situés à l'avant de chaque module. Les borniers sont compatibles avec un câblage de 2,05 mm maximum.

Pour raccorder le fil aux bornes de compression amovibles des borniers :

- Dénudez l'extrémité du fil (6,3 mm. maximum).
- Insérez l'extrémité dénudée dans le collier situé sous la vis de raccordement.
- Serrer la vis.

L'exposition de la partie dénudée des fils insérés du ROC800 doit être minimale afin d'éviter les courts-circuits. Lorsque vous effectuez les branchements, laissez un peu de jeu afin d'éviter toute tension.

a. Raccordez le câble d'alimentation. Déterminez dans un premier temps les spécifications en matière d'alimentation et passez en revue la description du câblage d'alimentation figurant au Chapitre 3 du Manuel d'instruction du contrôleur à distance ROC800 (réf. D301217X012).

Vérifiez que la polarité de raccordement est correcte.

Pour les raccordements d'alimentation CC :

- Procédez à la sauvegarde des données de configuration et de journalisation, si nécessaire.
- Installez, si vous le souhaitez un dispositif de protection contre les surtensions au niveau du sectionneur d'entretien.
- Déconnectez toutes les autres sources d'alimentation du ROC800.
- Installez un fusible au niveau de la source d'alimentation en entrée.
- Déposez le connecteur de bornier de son support.
- Insérez chaque extrémité de fil dénudé en provenance de :
 - la source de 12 Vcc dans le collier situé en dessous de la vis de raccordement BAT+ / BAT- (consultez Figure 5) **OU**
 - la source de 24 Vcc dans le collier situé en dessous de la vis de raccordement + / -. La borne + doit également être dotée d'un fusible (consultez la Figure 5) **OU**
 - la source de 11-30 Vcc dans le collier situé sous les vis de raccordement +/- adéquates (consultez Figure 5)

Reportez-vous aux *Tableaux 1, 2, et 3* pour connaître les raccordements du câblage d'alimentation.

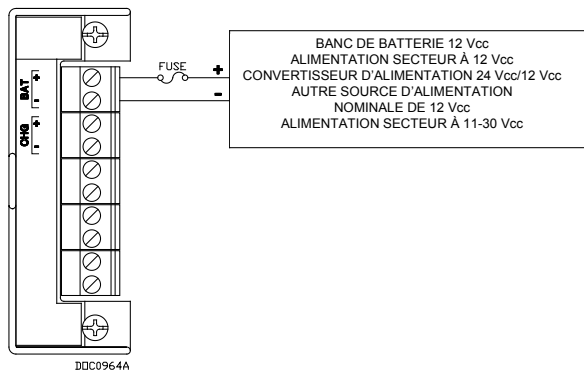


Figure 5. Alimentation 12 Vcc et câblage BAT+/BAT-

- Vissez chaque fil dans le bornier. Ré-enfichez le connecteur de bornier de son support.
- Pour contrôler une tension de charge externe (module d'alimentation 12 Vcc en entrée uniquement), câblez les connecteurs de bornier CHG+ et CHG-. Reportez-vous à la Figure 6.

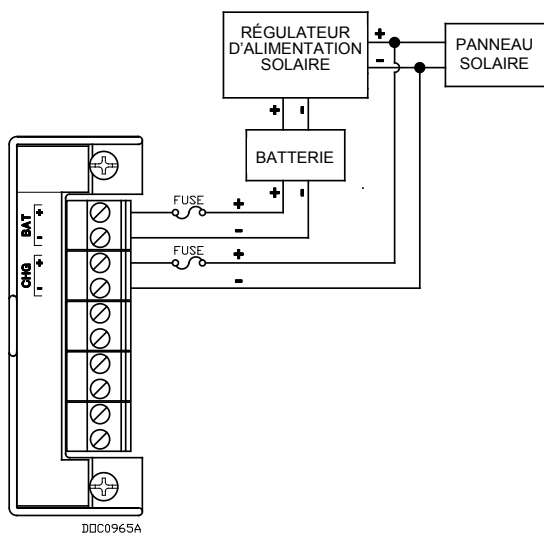


Figure 6. Alimentation 12 Vcc et câblage CHG+/CHG-

- Remplacez (au besoin) toutes les autres sources d'alimentation reliées au ROC800.
- b.** Raccordez le câblage aux borniers des modules d'E/S et de communications. Pour obtenir les schémas de câblage et des explications, reportez-vous aux *Chapitres 3 et 4* du *Manuel d'instructions du contrôleur à distance de la série ROC800* (réf. D301217X012).
- 6.** Une fois le câblage des borniers effectué, enfichez les caches sur les profilés de câblage. Voir la Figure 8.
- 7.** Pour démarrer le ROC800, mettez-le sous tension. Le témoin à LED (étiqueté V_{OK} sur les modules d'alimentation en entrée PM-12 ou PM-30 ou V_{12} sur le module d'alimentation en entrée PM-24) doit s'allumer de couleur verte pour indiquer que la tension appliquée est correcte. Le voyant d'état (STATUS) de l'unité centrale doit alors s'allumer pour indiquer le bon fonctionnement de l'opération. Selon le réglage du mode d'économie d'énergie (disponible uniquement sur le module

d'alimentation en entrée PM-12), le voyant d'état (STATUS) peut rester ou non allumé en cours de fonctionnement. Reportez-vous à la Figure 8.

- 8.** Lorsque le démarrage s'effectue correctement, configurez le ROC800 de façon à satisfaire aux spécifications de l'application. Après avoir configuré le ROC800 et étalonné l'E/S et le capteur MVS, vous pouvez mettre le ROC800 en marche. Reportez-vous au *Manuel d'utilisation du logiciel de configuration ROCLINK 800 (pour ROC800)* (réf. D301250X012). Lorsqu'il fonctionne, le ROC800 procède à des calculs de débits. Dans le cadre d'un fonctionnement/d'une utilisation normal, aucun réglage de la part de l'utilisateur n'est nécessaire sur cet appareil.
- 9.** Pour maintenir le ROC800 en bon état de fonctionnement, inspectez régulièrement le câblage afin de détecter tout signe de détérioration. Une vérification de l'étalonnage de l'indicateur, du capteur MVS et de l'E/S peut également être nécessaire.
- 10.** En cas de problèmes apparemment liés au logiciel, essayez de réinitialiser le ROC800 par le biais d'un redémarrage à froid ou à chaud, ou en observant la procédure décrite dans la remarque ci-dessous.

Remarque : une réinitialisation entraînera la perte de toutes les données de configuration et de journalisation. Sauvegardez les données de configuration et de consignment avant de procéder à une réinitialisation, quelle qu'elle soit.

Le bouton de réinitialisation (RESET) situé sur la face avant du module de l'unité centrale rétablit les paramètres par défaut configurés en usine (reportez-vous à la Figure 8). Pour utiliser le bouton de réinitialisation (RESET), coupez l'alimentation de l'unité et appuyez fermement sur le bouton pendant 15 secondes avec stylo ou un stylet tout en mettant l'unité sous tension. Pour les démarrages à chaud et à froid, reportez-vous au *Manuel d'utilisation du logiciel de configuration ROCLINK 800 (pour ROC800)* (réf. D301250X012).

Si vous rencontrez des problèmes qui semblent liés au matériel, vérifiez le câblage. Si les problèmes persistent, contactez un bureau de vente Emerson pour l'autorisation de retour.

- 11.** Pour démonter le ROC800, sauvegardez dans un premier temps toutes les données de configuration et de journalisation de l'unité. Coupez ensuite toute alimentation de l'unité et déconnectez tout câblage extérieur des modules.
- 12.** Retirez le boîtier du ROC800 des rails DIN en détachant les deux attaches de rail DIN situées à l'arrière du boîtier (sur le dessus).
- 13.** Placez le ROC800 dans une boîte à des fins d'expédition ou de stockage.

Raccordement d'une interface FFI sur le ROC827

Pour intégrer une interface FOUNDATION Fieldbus (FFI) dans un ROC827 de la série 2 (illustré à la Figure 9), acheminez le câblage de la FFI au ROC800, comme illustré à la Figure 7.

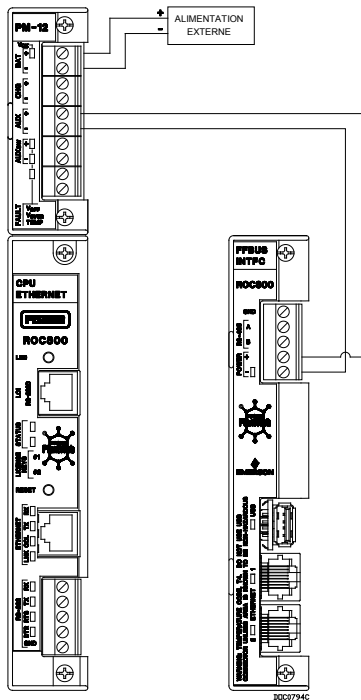


Figure 7. Raccordement du ROC827 et de l'interface FFI (FFI incluse dans le boîtier ROC827)

Remarque : cette méthode permettant de couper l'alimentation à la fois de l'unité centrale du ROC800 et de l'interface FFI constitue la méthode de câblage recommandée.

Pour plus d'informations concernant l'utilisation de l'interface FFI, consultez le *MANUEL D'INSTRUCTIONS DE L'INTERFACE FOUNDATION FIELDBUS* (réf. D301461X012). Pour plus d'informations concernant la configuration de l'interface FFI, consultez le *Manuel de l'utilisateur du dispositif de configuration de l'interface FOUNDATION FIELDBUS* (réf. D301575X012). Pour plus d'informations concernant l'utilisation en toute sécurité de l'interface FFI, reportez-vous aux *Consignes et de sécurité – Interface FOUNDATION Fieldbus* (réf. D3011666X012).

Tableau 1. Connexions de borniers avec une alimentation de 12 Vcc en entrée

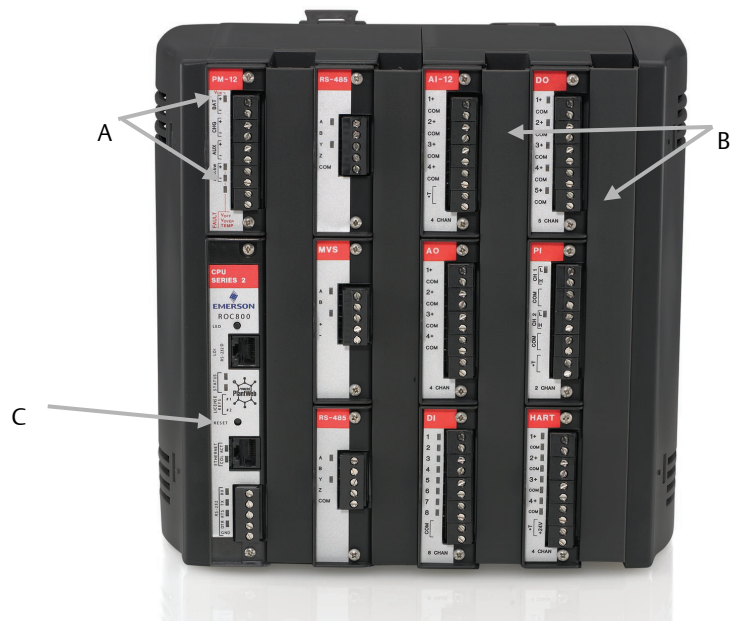
Borniers	Description	Vcc
BAT+ et BAT-	Reçoit une tension nominale de 12 Vcc en provenance d'un convertisseur CA/CC ou d'une autre source d'alimentation 12 Vcc.	11,25 à 16 Vcc
CHG+ et CHG-	Entrée analogique permettant de contrôler une source de charge externe.	0 à 18 Vcc
AUX+ et AUX-	Fournit une tension source protégée par polarité inversée à des périphériques externes.	BAT+ moins 0,7 Vcc
AUX _{SW} + et AUX _{SW} -	Fournit une alimentation commutée aux dispositifs externes.	BAT+ moins 0,7 Vcc

Tableau 2. Connexions de borniers avec une alimentation de 24 Vcc en entrée

Borniers	Description	Vcc
+ et -	Reçoit une tension nominale de 24 Vcc en provenance d'un convertisseur CA/CC ou d'une autre source d'alimentation 24 Vcc.	20 à 30 Vcc
AUX+ et AUX-	Fournit une tension source protégée par polarité inversée à des périphériques externes.	11,3 Vcc

Tableau 3. Connexions de borniers avec une alimentation de 30 Vcc en entrée

Borniers	Description	Vcc
+ et -	Reçoit une tension nominale de 30 Vcc en provenance d'un convertisseur CA/CC ou d'une autre source d'alimentation 30 Vcc.	11 à 30 Vcc
AUX+ et AUX-	Fournit une tension source protégée par polarité inversée (la tension en sortie suit la tension en entrée) à des périphériques externes.	BAT+ moins 0,7 Vcc
AUX _{SW} + et AUX _{SW} -	Fournit une alimentation commutée aux dispositifs externes.	BAT+ moins 0,7 Vcc



- A Voyants LED du module d'alimentation en entrée
- B Caches de profilé de câblage
- C Bouton de RÉINITIALISATION

Figure 8. Contrôleur à distance ROC809

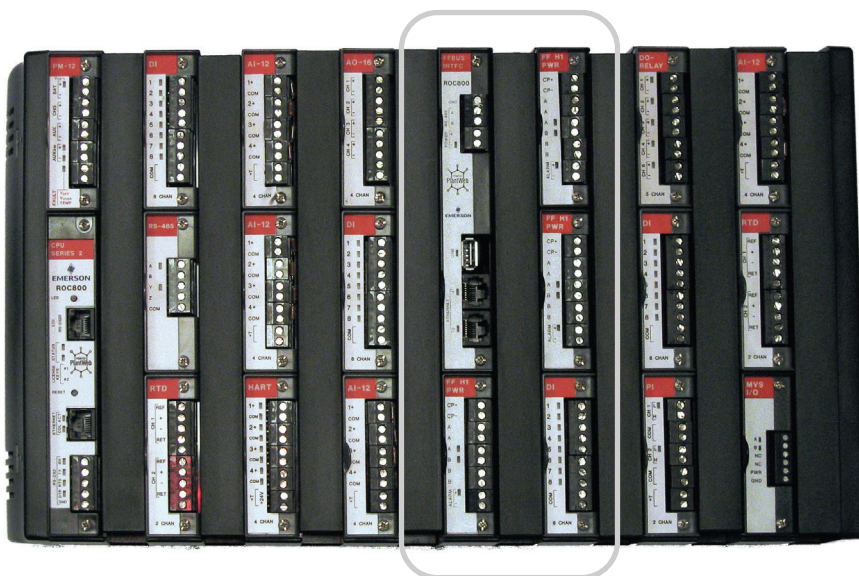


Figure 9. ROC827 avec interface Foundation Fieldbus installée

Pour joindre le service clientèle et bénéficier d'une assistance technique, consultez la page www.emersonprocess.com/remote/support

Siège social :

Emerson Process Management
Remote Automation Solutions
6005 Rogerdale Road
Houston, TX 77072 États-Unis
T : +1 281 879 2699 | F : +1 281 988 4445
www.EmersonProcess.com/Remote

Europe :

Emerson Process Management
Remote Automation Solutions
Unit 8, Waterfront Business Park
Dudley Road, Brierley Hill
Dudley Royaume-Uni DY5 1LX
T : +44 1384 487200 | F : +44 1384 487258
www.EmersonProcess.com/Remote

Amérique du Nord/Amérique Latine :

Emerson Process Management
Remote Automation Solutions
6005 Rogerdale Road
Houston TX États-Unis 77072
T : +1 281 879 2699 | F : +1 281 988 4445
www.EmersonProcess.com/Remote

Afrique/Moyen Orient :

Emerson Process Management
Remote Automation Solutions
Emerson FZE
Boîte postale 17033
Jebel Ali Free Zone – South 2
Dubai É.A.U.
T : +971 4 8118100 | F : +971 4 8865465
www.EmersonProcess.com/Remote

Asie-Pacifique :

Emerson Process Management
Remote Automation Solutions
1 Pandan Crescent
Singapour 128461
T : +65 6777 8211 | F : +65 6777 0947
www.EmersonProcess.com/Remote

© 2005-2016 Remote Automation Solutions, division d'Emerson Process Management. Tous droits réservés.




Remote Automation Solutions, une division d'Emerson Process Management, ne saurait être tenue responsable des erreurs techniques ou éditoriales ou des omissions dans le présent manuel. REMOTE AUTOMATION SOLUTIONS N'OFFRE AUCUNE GARANTIE EXPRESSE OU IMPLICITE, Y COMPRIS LES GARANTIES IMPLICITES DE QUALITÉ MARCHANDE ET D'ADÉQUATION À UNE UTILISATION SPÉCIFIQUE EN RAPPORT AVEC CE MANUEL. REMOTE AUTOMATION SOLUTIONS NE SAURAIT EN AUCUN CAS ÊTRE TENUE RESPONSABLE DES DOMMAGES DIRECTS, ACCESSOIRES, SPÉCIAUX OU INDIRECTS, Y COMPRIS, MAIS SANS S'Y LIMITER, LA PERTE DE PRODUCTION, DE PROFITS OU DE REVENUS OU L'UTILISATION ET LES COÛTS ENCOURUS, Y COMPRIS, SANS S'Y LIMITER, POUR LE CAPITAL, LE CARBURANT ET L'ÉLECTRICITÉ ET LES RÉCLAMATIONS DES TIERS.

Emerson Process Management Ltd, Remote Automation Solutions (UK), est une filiale en propriété exclusive d'Emerson Electric Co., exerçant ses activités sous le nom de Remote Automation Solutions, une division d'Emerson Process Management. FloBoss, ROCLINK, ControlWave, Helicoid et OpenEnterprise sont des marques déposées de Remote Automation Solutions. AMS, PlantWeb et le logo PlantWeb sont des marques appartenant à l'une des sociétés de la branche commerciale Emerson Process Management d'Emerson Electric Co. Emerson Process Management, Emerson et le logo d'Emerson sont des marques de commerce et de service d'Emerson Electric Co. Toutes les autres marques sont la propriété de leurs propriétaires respectifs.

Le contenu de cette publication n'est présenté qu'à titre informatif. Bien que toutes les mesures aient été prises pour s'assurer de la véracité des informations fournies, celles-ci ne sauraient être considérées comme une ou des garanties, tacites ou expresses, des produits ou services décrits par les présentes, ni une ou des garanties quant à l'utilisation ou à l'applicabilité desdits produits et services. Remote Automation Solutions se réserve le droit de modifier ou d'améliorer la conception ou les spécifications desdits produits à tout moment et sans préavis. Toutes les ventes sont régies par les conditions générales de Remote Automation Solutions, disponibles sur demande. Remote Automation Solutions n'assume aucune responsabilité quant au choix, l'utilisation ou l'entretien d'un produit quel qu'il soit. La responsabilité pour la sélection, l'utilisation ou l'entretien corrects de tout produit de Remote Automation Solutions incombe à l'acquéreur et à l'utilisateur final.



Controlador de operações remotas série ROC800

MODEL W40135 FLOW COMPUTER		
POWER MODULE INPUT VOLTAGE AND RATED MAXIMUM POWER		
PM-12	BAT: 11.25 TO 16 VDC, CHG: 0 TO 18 VDC	46 WATTS
PM-24	POWER INPUT: 20 TO 30 VDC	46 WATTS
PM-30	POWER INPUT: 11 TO 30 VDC	76 WATTS
OPERATING AMBIENT TEMP: -40 TO +75°C		
Sirα 05ATEX4046X		 II 3 G
IECEX CSA 15.0053X		
Ex nA IIC T4 Gc, -40°C ≤ Tamb ≤ +75°C		
MUST BE INSTALLED IN IP54 OR BETTER ENCLOSURE OR EQUIVALENT LOCATION. INSTALL ASSEMBLY PER SAFE-USE INSTRUCTIONS PROVIDED.		
BATTERY REPLACEMENT TYPE: REFER TO SERVICE MANUAL		
FUSE REPLACEMENT: 2.5 AMP FAST-ACTING TYPE		
FOUNDATION FIELDBUS INTERFACE RATINGS (WHEN INSTALLED & EXTERNALLY POWERED PER INSTRUCTIONS)		
POWER INPUT: 10 TO 30 VDC		
POWER: 42 WATTS MAX (INTERFACE & DOWNSTREAM MODULES)		
FUSE REPLACEMENT: 6.3 AMP SLO-BLO TYPE		
WARNING: EXPLOSION HAZARD – DO NOT CONNECT/DISCONNECT WHILE CIRCUIT IS LIVE UNLESS AREA IS KNOWN TO BE NON-HAZARDOUS.		
		 
BRISTOL, INC. dba REMOTE AUTOMATION SOLUTIONS WATERTOWN, CT, USA		
		W11411X0022

DOC0986A

Figura 1. Etiqueta série ROC800

Use este documento de instruções para um uso seguro (SUI) com o *Manual de instruções do controlador de operações remotas série ROC800* (peça D301217X012). Para obter todos os cuidados e descrições relacionados aos procedimentos de instalação e solução de problemas, consulte este manual. Se for necessário obter treinamento para este produto, entre em contato com o escritório de vendas local.

O controlador de operações remotas série ROC800 (ou “ROC800”) com a certificação ATEX pode ser ordenado com qualquer um dos módulos de comunicação ou E/S opcionais listados nas especificações técnicas *Controladores de operações remotas série ROC800* (ROC800).

O certificado para este equipamento inclui as seguintes condições especiais para uso seguro (X):

1. Se o sensor MVS opcional remoto está sendo usado com este equipamento, observe que este sensor contém um diafragma de parede fina. Leve em consideração as condições ambientais às quais o diafragma é submetido nos casos de instalação, manutenção e uso. Ao instalar e realizar a manutenção do dispositivo, siga em detalhe as instruções do fabricante para garantir a segurança durante a vida útil prevista.
2. Instale o equipamento em um invólucro IP54 ou superior ou em um local equivalente. Qualquer invólucro deve ser devidamente certificado ou de outra forma aprovado para a zona de utilização (Zona 2).
3. Certifique-se de que a tensão nominal de entrada não seja ultrapassada em serviço.
4. Certifique-se que os condutores de cabos utilizados sejam classificados de 75°C ou superior.

5. Se você instalar um módulo IEC 62591 ou um FOUNDATION Fieldbus CPU no ROC800, não use o conector USB em uma área classificada conhecida.

Declaração de conformidade

Por este documento, a Remote Automation Solutions declara que o produto Série ROC800 está em conformidade com os requisitos fundamentais e outras cláusulas pertinentes das Diretivas Europeias 2004/108/CE (EMC) e 94/9/CE (ATEX).

**CUIDADO**

Para instalar unidades em um local perigoso, verifique se todos os componentes selecionados para instalação têm etiqueta para uso nestes locais. A instalação e a manutenção só devem ser realizadas quando tem conhecimento que a área não é classificada. A instalação ou a manutenção em um local perigoso pode causar lesão pessoal ou danos à propriedade.

Sempre desligue a alimentação do ROC800, antes de manusear qualquer tipo de fiação. A fiação de um equipamento ligado pode causar lesão pessoal ou danos à propriedade.

Para evitar danos ao circuito ao trabalhar dentro da unidade, tome os cuidados necessários com a descarga eletrostática, tais como usar uma pulseira de aterramento.

**CUIDADO**

Verifique a polaridade da alimentação de entrada antes de ligar o ROC800.

As ferramentas abaixo são necessárias para a instalação, a manutenção e a solução de problemas:

- Computador pessoal com Microsoft® Windows® 2000 (com Service Pack 2), Windows XP, Windows Vista ou Windows 7 instalado
- Software de configuração ROCLINK™ 800
- Chave de fenda Phillips (cabeça cruzada)
- Chave de fenda simples.

Interface DO FIELDBUS Foundation™ integral

Você pode instalar uma interface Foundation Fieldbus em um invólucro ROC827 série 2. Para mais informações, consulte a seção *Cabeamento de um FFI ao ROC827* deste documento.

Especificações

ENERGIA

Módulo de entrada de alimentação 12 V cc:

Faixa operacional: 11,25 a 16 V cc.

Corrente de entrada: Máximo 5 Amps

Módulo de entrada de alimentação 24 V cc:

Faixa operacional: 20 a 30 V cc.

Corrente de entrada: Máximo 2 Amps

Módulo de entrada de alimentação 30 V cc:

Faixa operacional: 11 a 30 V cc.

Corrente de entrada: 7 Amp máximo

MATERIAIS

Invólucro: Plástico de acrilonitrila butadieno estireno (ABS)

Tampas dos canais de cabo: Plástico de polipropileno

Módulos: Poliéster termoplástico, resistente a solventes

AMBIENTAIS

Temp. operacional: -40 a +75°C.

Temp. de armazenamento: -40 a +85°C.

Umidade relativa: IEC68-2-3; 5-95% sem condensação.

PESO

1,65 kg de invólucro, backplane e CPU.

Módulo de E/S: Varia de 49–60 g.

Módulo do modem: 113,4 g.

Módulos EIA-232 (RS-232): 47,6 g.

Módulos EIA-422/485 (RS-422/485): 49,9 g.

Módulo MVS: 61,2 g.

Módulo de entrada de alimentação 12 V cc: 97,5 g.

Módulo de entrada de alimentação 24 V cc: 120 g.

Módulo de entrada de alimentação 30 V cc: 91 g.

CERTIFICAÇÕES

Avaliado conforme as seguintes normas europeias (EMC):

EN55011 (Emissões).

EN61000-4-2 (Imunidade à descarga eletrostática).

EN61000-4-3 (Imunidade a campo eletromagnético).

EN61000-4-4 (Imunidade a transientes elétricos rápidos).

EN61000-4-5 (Imunidade a surtos).

EN61000-4-6 (Imunidade à condução).

Avaliado conforme as seguintes normas europeias (ATEX):

EN60079-0:2012.

EN60079-15:2010.

Certificado pela Sira como modelo W40135.

Avaliado conforme as seguintes normas (IEC):

IEC 60079-0:2011 (6ª edição)

IEC 60079-15:2010, 4ª edição

Marcação de produtos para áreas classificadas:

Ex dentro da IICT4 Gc (-40°C ≤ T_{amb} ≤ +75°C),



Cert. Sira Nº 05ATEX4046X

1. Você recebe o ROC800 em uma caixa. Retire-o da caixa.

2. Encontre um local adequado para o ROC800. Instale sempre o ROC800 em um invólucro fornecido pelo usuário, já que o ROC800 necessita de proteção contra a exposição direta à luz do sol, neve, gelo, poeira ou sujeira e atmosferas corrosivas. Se o ROC800 está instalado do lado de fora de um edifício, ele deve ser colocado em um invólucro classificado IP54 (ou superior).

Nota: Se você colocar o ROC800 dentro de um invólucro, use o cabo de extensão fornecido para localizar a antena **fora** do recinto. Sele todos os orifícios que você fizer no invólucro para esta finalidade, para garantir a manutenção da classificação IP54 necessária.

Antes de escolher um invólucro, verifique todos os espaços livres. Forneça espaço livre adequado para a fiação e para a manutenção. Consulte a *Figura 2* e a *Figura 3*.

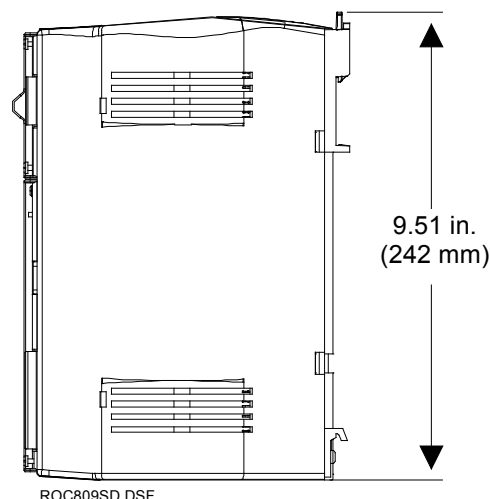


Figura 2. Visualização lateral do ROC809

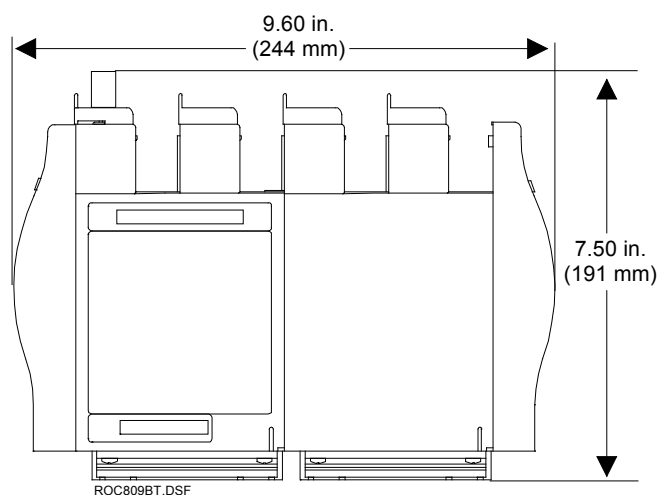
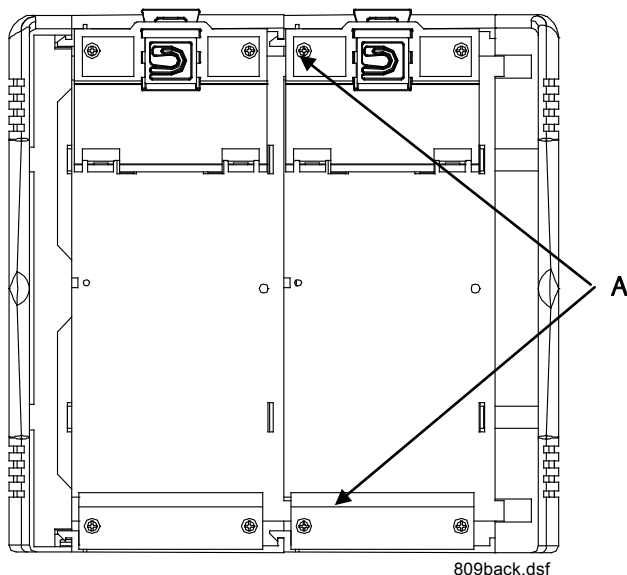


Figura 3. Visualização inferior do ROC809

3. As montagens do invólucro do ROC800 em dois trilhos DIN 35 x 7,5 mm. Consulte a *Figura 4*.

- Monte os trilhos DIN superiores no ROC800.
- Monte os trilhos DIN inferiores no backplane.
- Posicione o ROC800 no trilho inferior montado no backplane, assegurando que a borda inferior da ROC800 esteja nivelada com o painel.
- Gire a parte superior do ROC800 até que ela fique alinhada com relação ao painel.
- Fixe a tira superior do trilho DIN ao painel.



A Montagem em Trilho DIN

Figura 4. Parte traseira do ROC809

4. Se a sua empresa não possui requisitos específicos de aterramento, instale a unidade ROC800 como um sistema “flutuante” (sem ligação à aterramento). Caso contrário, siga as práticas de aterramento específicos da sua empresa. No entanto, se você estiver fazendo uma conexão entre um dispositivo aterrado e uma porta EIA-232 (RS-232) do ROC 800, **aterre** a fonte de alimentação do ROC800.

Se você deve aterrar o equipamento, observe as seguintes diretrizes:

- Quando o equipamento utiliza uma fonte de tensão CC, o sistema de aterramento deve terminar no interruptor de serviço. Todos os condutores de aterramento do equipamento, incluindo fio ou conduíte que levam os condutores da fonte de alimentação, deve fornecer um caminho elétrico ininterrupto para o interruptor de serviço.
- O aterramento inadequado ou más práticas de aterramento, muitas vezes, podem causar problemas tais como a introdução de laços de aterramento no sistema. O aterramento correto da unidade ROC ajuda a reduzir os efeitos do ruído elétrico dentro da unidade ROC durante a operação e a proteger contra a luz. Instale um dispositivo de proteção contra surtos junto ao interruptor de serviço nos sistemas de fonte de voltagem CC para proteger contra raios e surtos de tensão o equipamento instalado. Também pode ser considerado um protetor de surto de linha telefônica para o módulo opcional de comunicação do modem dial-up.

- Uma tubulação com proteção catódica não é um bom aterramento. Não junte a parte da tubulação comum com a parte catódica.
- O método de instalação do aterramento para o ROC800 depende da proteção catódica da tubulação. Em tubulações com proteção catódica, o ROC deve ser eletricamente isolado da tubulação. Todos os pontos de aterramento devem ter uma haste de aterramento ou uma impedância de rede de até 25 ohms, conforme medição feita por um dispositivo de teste do sistema de aterramento.

5. Conecte o ROC800 através dos blocos de terminais dentro da parte frontal de cada módulo. Os blocos de terminal aceitam fios de até 12 AWG ou menores.

Para conectar o fio aos terminais de compressão do bloco removíveis:

- Desencape a extremidade (¼ pol. máximo) do fio.
- Insira a parte terminal descoberta dentro da braçadeira sob o parafuso do terminal.
- Aperte o parafuso.

O ROC800 deve ter um mínimo de fio desencapado exposto, a fim de evitar curtos-laços. As conexões não devem ficar muito apertadas para evitar fadiga.

a. Conecte a fiação de alimentação. Primeiramente determine os requisitos de energia e reveja a descrição do cabeamento elétrico no *Capítulo 3 do Manual de instruções do controlador de operações remotas série ROC800* (peça D301217X012).

Verifique se a polaridade da conexão está correta.

Para realizar conexões da fonte de alimentação CC:

- Se for o caso, execute a configuração do backup e procedimento de registro dos dados.
- Como opção, instale um dispositivo de proteção contra surtos junto ao interruptor de serviço.
- Remova todas as outras fontes de alimentação do ROC800.
- Instale um fusível dentro da fonte de alimentação de entrada.
- Remova o conector do bloco de terminais da tomada.
- Insira cada extremidade de fio descoberto a partir:
 - da fonte cc de 12 volt dentro da braçadeira por baixo do parafuso da terminação BAT+ / BAT- apropriado (consulta *Figura 5*) **OU**
 - da fonte cc de 24 volt dentro da braçadeira por baixo do parafuso da terminação +/- apropriado. O terminal + deve ter também um fusível (consulta *Figura 5*) **OU**
 - da fonte cc de 11-30 volt dentro da braçadeira por baixo dos parafusos da terminação +/- (consulta *Figura 5*).

Consulte as Tabelas 1, 2, e 3 para conhecer as conexões do cabeamento elétrico.

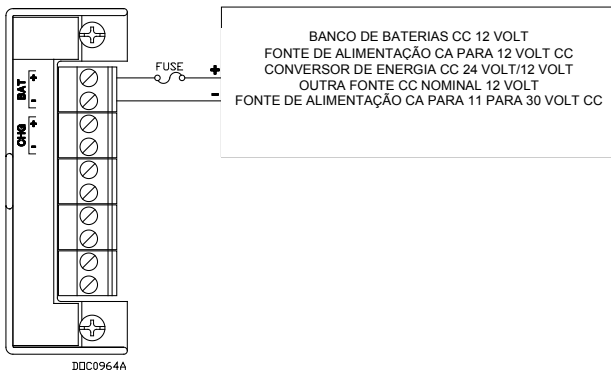


Figura 5. Fonte de alimentação de 12 V cc e cabeamento BAT + / BAT -

- Aperte cada fio no bloco de terminais. Conecte o conector do bloco de terminais dentro da tomada.
- Se você estiver monitorando uma voltagem de carga externa (Módulo de entrada de alimentação de 12 V cc), conecte o conector do bloco de terminais CHG+ e CHG-. Consulte a Figura 6.

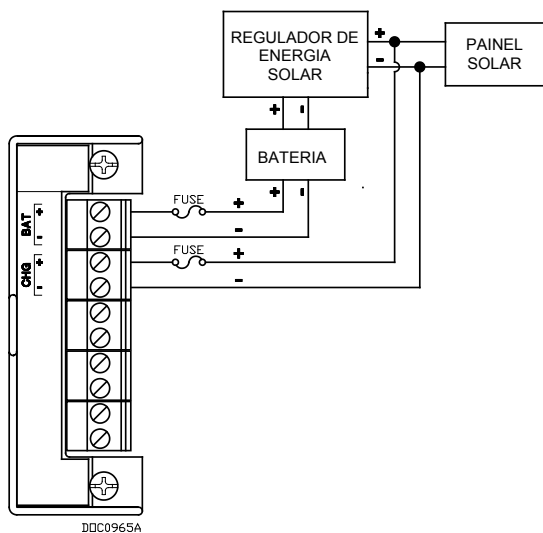


Figura 6. Fonte de alimentação 12 V cc e cabeamento CHG + / CHG -

- Substitua todas as outras fontes de alimentação (se necessário) do ROC800.
- b.** Conecte o cabeamento ao bloco de terminais nas E/S e nos módulos de comunicação. Consulte os Capítulos 3 e 4 do Manual de instruções do controlador de operações remotas série ROC800 (peça D301217X012) para conhecer os esquemas de cabeamento e as explicações.
- 6.** Pressione as tampas dos canais de cabo no lugar ao longo dos canais de fiação, uma vez que a fiação dos blocos terminais estiver completa. Consulte a Figura 8.

7. Para iniciar o ROC800, ligue o ROC800. O indicador LED (etiquetado V_{OK} nos módulos de entrada de alimentação PM-12 ou PM-30 ou V_{12} no módulo de entrada de alimentação PM-24) deve emitir uma luz verde para indicar que a voltagem aplicada é correta. Em seguida, o indicador de STATUS no CPU deve acender para indicar uma operação válida. Dependendo da configuração do Modo de economia de energia (disponível somente no módulo de entrada de alimentação PM-12), o indicador de STATUS não pode permanecer aceso durante a operação. Consulte a Figura 8.

8. Se a inicialização for bem sucedida, configure o ROC800 para satisfazer as exigências da aplicação. Depois de configurar o ROC800 e calibrar a E/S e o MVS, você pode colocar o ROC800 em operação. Consulte o Manual de usuário do software de configuração ROCLINK 800 (para Série ROC800) (peça D301250X012). Quando o ROC800 está em operação, ele executa cálculos de vazão. Durante a normal operação e uso, não são necessários ajustes de usuário neste dispositivo.

9. Para realizar a manutenção do ROC800, inspecione periodicamente a fiação procurando por sinais de deterioração. O ROC800 pode exigir também a verificação do medidor, do MVS e da calibração da E/S.

10. Se você tiver problemas que pareçam estar relacionados com o software, tente reinicializar o ROC800 com warm start, cold start ou siga os procedimentos dentro da Nota abaixo.

Nota: Você perderá todos os registros e dados de configuração com um reset. Faça um backup de configuração e registro de dados antes de tentar qualquer tipo de restauração.

O botão RESET dentro da parte frontal do módulo CPU restaura a unidade para os padrões de fábrica (consulte a Figura 8). Para utilizar o botão RESET, desligue a unidade e aperte firmemente o botão durante 15 segundos, com uma caneta ou uma tipo stylus ao mesmo tempo em que religa. Consulte o Manual de usuário do software de configuração ROCLINK 800 (para Série ROC800) (peça D301250X012) referente a warm e cold starts.

Se você tiver problemas que pareçam estar relacionados com o hardware, verifique a fiação. Se o problema persistir, entre em contato com a assistência técnica da Emerson dentro da sua região, para o envio da peça para reparo.

11. Para desmontar o ROC800, primeiro realize o backup de toda a configuração e do registro de dados da unidade. Então desligue completamente a unidade e remova todos os cabamentos externos.

12. Remova o invólucro do ROC800 dos trilhos DIN, liberando os dois cliques dos trilhos DIN dentro da parte superior e traseira do invólucro.

13. Coloque o ROC800 em uma caixa para transporte ou armazenamento.

Cabeamento de um FFI ao ROC827

Se você precisar incluir uma Interface FOUNDATION Fieldbus (FFI) como uma parte integral de um ROC827 série 2 (exibido dentro da Figura 9), conecte o FFI ao ROC800 como exibido dentro da Figura 7.

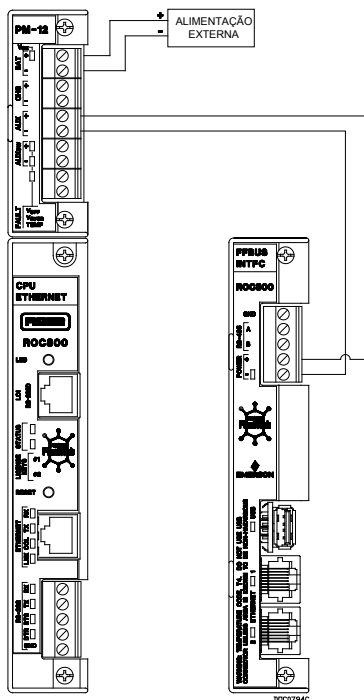


Figura 7. Fiação do ROC827 e FFI (FFI incluído no invólucro do ROC827)

Nota: Este é o método preferido de fiação, uma vez que garante que o desligamento do CPU do ROC800 também desligue o FFI.

Para obter mais informações sobre a operação do FFI, consulte o *Manual de instruções da interface FOUNDATION Fieldbus* (peça D301461X012). Para obter mais informações sobre a configuração do FFI, consulte o *Manual do usuário de configuração da interface do campo* (peça D301575X012). Para obter mais informações sobre a operação o uso seguro da FFI, consulte as *Instruções para uso seguro - Interface FOUNDATION Fieldbus* (peça D3011666X012).

Tabela 1. Conexões do bloco de terminal de entrada de alimentação 12 V CC

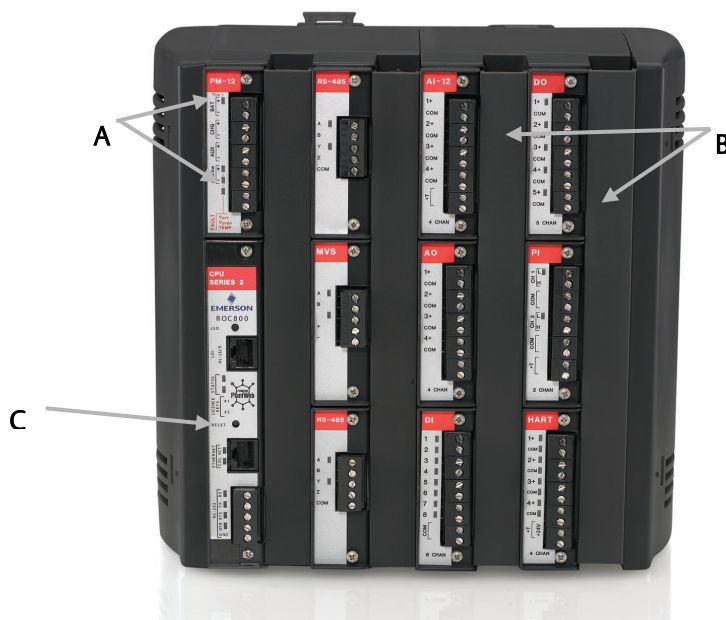
Blocos de terminais	Descrição	CC Volts
BAT+ e BAT-	Aceita uma fonte cc nominal de 12 volts de um conversor CA/CC ou outra fonte cc de 12 volts.	11,25 a 16 volts cc
CHG+ e CHG-	Entrada analógica usada para monitorar uma fonte de carga externa.	0 a 18 volts cc
AUX+ e AUX-	Fornecer voltagem de fonte protegida de polaridade reversa a dispositivos externos.	BAT+ menos 0,7 volts cc
AUX _{SW} + e AUX _{SW} -	Fornecer energia comutada para dispositivos externos.	BAT+ menos 0,7 volts cc

Tabela 2. Conexões do bloco de terminal de entrada de alimentação 24 V CC

Blocos de terminais	Descrição	CC Volts
+ e -	Aceita uma fonte cc nominal de 24 volts de um conversor CA/CC ou outra fonte cc de 24 volts.	20 a 30 volts cc
AUX+ e AUX-	Fornecer voltagem de fonte protegida de polaridade reversa a dispositivos externos.	11,3 volts cc

Tabela 3. Conexões do bloco de terminal de entrada de alimentação 30 V CC

Blocos de terminais	Descrição	CC Volts
+ e -	Aceita uma fonte cc nominal de 30 volts de um conversor CA/CC ou outra fonte cc de 30 volts.	11 a 30 volts cc
AUX+ e AUX-	Fornecer voltagem de fonte protegida de polaridade reversa (saída e entrada de voltagem) a dispositivos externos.	BAT+ menos 0,7 volts cc
AUX _{SW} + e AUX _{SW} -	Fornecer energia comutada para dispositivos externos.	BAT+ menos 0,7 volts cc



- A Indicadores LED no módulo de entrada de alimentação
- B Tampas dos canais de cabo
- C Botão RESET

Figura 8. Controlador de operações remotas ROC809

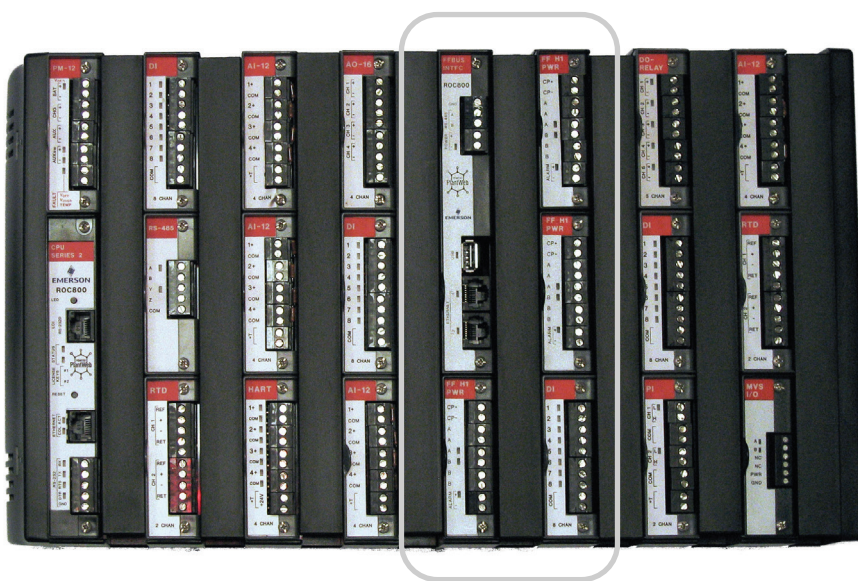


Figure 9. ROC827 com interface Foundation Fieldbus instalada

Para serviço ao cliente e suporte técnico, visite www.emersonprocess.com/remote/support

Sedes:

Emerson Process Management

Remote Automation Solutions
6005 Rogerdale Road
Houston, TX 77072 E.U.A.
Telefone +1 281 879 2699 | Fax +1 281 988 4445
www.EmersonProcess.com/Remote

Europa:

Emerson Process Management

Remote Automation Solutions
Unit 8, Waterfront Business Park
Dudley Road, Brierley Hill
Dudley Reino Unido DY5 1LX
Telefone +44 1384 487200 | Fax +44 1384 487258
www.EmersonProcess.com/Remote

América do Norte/América Latina:

Emerson Process Management

Remote Automation Solutions
6005 Rogerdale Road
Houston TX, E.U.A., 77072
Telefone +1 281 879 2699 | Fax +1 281 988 4445
www.EmersonProcess.com/Remote

Oriente Médio/África:

Emerson Process Management

Remote Automation Solutions
Emerson FZE
P.O. Box 17033
Jebel Ali Free Zone – South 2
Dubai, Emirados Árabes Unidos
Telefone +971 4 8118100 | Fax +971 4 8865465
www.EmersonProcess.com/Remote

Ásia-Pacífico:

Emerson Process Management

Remote Automation Solutions
1 Pandan Crescent
Singapura 128461
Telefone +65 6777 8211 | Fax +65 6777 0947
www.EmersonProcess.com/Remote

© 2005-2016 Remote Automation Solutions, uma unidade de negócios da Emerson Process Management. Todos os direitos reservados.

A Remote Automation Solutions, uma unidade comercial da Emerson Process Management, não se responsabiliza por erros técnicos ou editoriais presentes neste manual, nem por omissões deste manual. A REMOTE AUTOMATION SOLUTIONS NÃO OFERECE QUALQUER GARANTIA, EXPRESSA OU IMPLÍCITA, INCLUINDO AS GARANTIAS IMPLÍCITAS DE COMERCIALIZAÇÃO E ADEQUAÇÃO A UM DETERMINADO FIM RELATIVAMENTE A ESTE MANUAL E, EM NENHUMA CIRCUNSTÂNCIA, A REMOTE AUTOMATION SOLUTIONS SE RESPONSABILIZARÁ POR QUAISQUER DANOS INCIDENTES, PUNITIVOS, ESPECIAIS OU CONSEQUENTES, INCLUINDO, ENTRE OUTROS, PERDA DE PRODUÇÃO, PERDA DE LUCRO, PERDA DE RECEITA OU CONSUMO E CUSTOS INCORRIDOS INCLUINDO, SEM LIMITAÇÃO, DE CAPITAL, COMBUSTÍVEL E ENERGIA, BEM COMO RECLAMAÇÕES DE TERCEIROS.

Emerson Process Management Ltd, Remote Automation Solutions (Reino Unido), é uma subsidiária de propriedade integral da Emerson Electric Co. sob o nome de Remote Automation Solutions, uma unidade de negócios da Emerson Process Management. FloBoss, ROCLINK, ControlWave, Helicoid, e OpenEnterprise são marcas comerciais da Remote Automation Solutions. AMS, PlantWeb, e o logotipo PlantWeb são marcas de propriedade de uma das empresas dentro da unidade comercial Emerson Process Management, da Emerson Electric Co. Emerson Process Management, Emerson, o logotipo Emerson são marcas comerciais e de serviços da Emerson Electric Co. Todas as outras marcas pertencem a seus respectivos proprietários.

O conteúdo desta publicação é apresentado apenas como informação. Apesar do esforço feito para assegurar a sua exatidão, este não deve ser considerado como um certificado de garantia, expressa ou implícita, com relação aos produtos ou serviços descritos aqui ou à sua utilização ou aplicabilidade. A Remote Automation Solutions reserva-se o direito de modificar ou melhorar os projetos ou as especificações desses produtos a qualquer momento sem aviso prévio. Todas as vendas são regulamentadas pelos termos e condições da Remote Automation Solutions, que se encontram disponíveis mediante solicitação. A Remote Automation Solutions não assume responsabilidade pela seleção, uso ou manutenção de qualquer produto. A responsabilidade pela seleção adequada, uso e manutenção de qualquer produto da Remote Automation Solutions permanece exclusivamente com o comprador e o usuário final.



ROC800 系列远程操作控制器

MODEL W40135 FLOW COMPUTER		
POWER MODULE	INPUT VOLTAGE AND RATED	MAXIMUM POWER
PM-12	BAT: 11.25 TO 16 VDC, CHG: 0 TO 18 VDC	46 WATTS
PM-24	POWER INPUT: 20 TO 30 VDC	46 WATTS
PM-30	POWER INPUT: 11 TO 30 VDC	76 WATTS

OPERATING AMBIENT TEMP: -40 TO +75°C
 Sirα 05ATEX4046X
 IECEX CSA 15.0053X
 Ex nA IIC T4 Gc, -40°C ≤ Tamb ≤ +75°C

MUST BE INSTALLED IN IP54 OR BETTER ENCLOSURE OR EQUIVALENT LOCATION. INSTALL ASSEMBLY PER SAFE-USE INSTRUCTIONS PROVIDED.
 BATTERY REPLACEMENT TYPE: REFER TO SERVICE MANUAL
 FUSE REPLACEMENT: 2.5 AMP FAST-ACTING TYPE

FOUNDATION FIELDBUS INTERFACE RATINGS
 (WHEN INSTALLED & EXTERNALLY POWERED PER INSTRUCTIONS)
 POWER INPUT: 10 TO 30 VDC
 POWER: 42 WATTS MAX (INTERFACE & DOWNSTREAM MODULES)
 FUSE REPLACEMENT: 6.3 AMP SLO-BLO TYPE

WARNING: EXPLOSION HAZARD – DO NOT CONNECT/DISCONNECT WHILE CIRCUIT IS LIVE UNLESS AREA IS KNOWN TO BE NON-HAZARDOUS.

BRISTOL, INC. dba REMOTE AUTOMATION SOLUTIONS
 WATERTOWN, CT, USA

DOC0986A

图 1. ROC800 系列标签

此安全使用说明 (SUI) 文档应与 *ROC800 系列远程操作控制器说明手册* (手册编号 D301217X012) 一起使用。有关安装和故障排除过程的所有注意事项和说明, 请参阅该手册。如需关于此产品的培训, 请联系您当地的销售处。

订购通过 ATEX 认证的 ROC800 系列远程操作控制器 (或“ROC800”) 时, 还可订购技术规格 *ROC800 系列远程操作控制器* (ROC800) 中列出的任何可选通讯或 I/O 模块。

本设备的证书包括以下安全使用的特殊条件 (X):

1. 如果将可选远程 MVS 传感器和此设备一起使用, 请注意此传感器带有薄壁膜片。在安装、维护和使用时应考虑膜片是否可以适应环境条件。当安装和维护设备时, 请严格遵守制造商的指示以确保在其预期寿命内的使用安全。
2. 将设备安装在 IP54 或更坚固的机柜或同等位置。任何机柜都应通过相关认证, 或通过使用区域 (区域 2) 的审批。
3. 请确保使用时不会超过额定输入电压。
4. 确保使用额定 75 摄氏度或更高的电缆导线。

5. 在已知的危险区域内, 若要在 ROC800 中安装 IEC 62591 模块或 FOUNDATION 现场总线 CPU, 不得使用 USB 连接器。

符合性声明

Remote Automation Solutions 特此声明 ROC800 系列产品符合欧洲指令 2004/108/EC (EMC) 和 94/9/EC (ATEX) 中适用的基本要求和和其他相关规定。



警告

在危险区域安装组件时, 请确保所选的所有安装组件都标明了可以用于这些区域。仅当这些区域被确认为无危险时, 才可以执行安装和维护。在危险区域安装或维护可能导致人员受伤或财产损失。

尝试进行任何类型的接线之前, 务必关闭 ROC800 的电源。对通电设备进行接线可能会造成人员受伤或财产损失。

为防止在装置内工作时损坏电路, 请采取适当的静电放电防护措施 (例如佩戴接地腕带)。



警告

将 ROC800 连接至电源前请检查输入电源的极性。

安装、维护和故障排除需要使用以下工具:

- 运行 Microsoft® Windows® 2000 (Service Pack 2)、Windows XP、Windows Vista 或 Windows 7 的个人计算机。
- ROCLINK™ 800 组态软件。
- 十字螺丝刀。
- 平头螺丝刀。

一体化 FOUNDATION™ 现场总线接口

可在 ROC827 系列 2 机柜中安装一个 Foundation 现场总线接口。有关详细信息, 请参阅本文档中的 *将 FFI 连接至 ROC827 内*。

规格

电源

12VDC 电源输入模块:

工作范围: 11.25 至 16VDC。

输入电流: 5A (最大值)

24VDC 电源输入模块:

工作范围: 20 至 30VDC。

输入电流: 2A (最大值)

30VDC 电源输入模块:

工作范围: 11 至 30VDC。

输入电流: 7A (最大值)

材料

外壳: 丙烯腈-丁二烯-苯乙烯 (ABS) 塑料。

线槽盖板: 聚丙烯塑料。

模块: 热塑性聚酯, 耐溶剂。

环境

工作温度: -40 至 +75°C。

储存温度: -40 至 +85°C。

相对湿度: IEC68-2-3; 5-95% (无冷凝)。

重量

外壳、背板和 CPU 共重 1.65 千克。

I/O 模块: 49 到 60 g 之间。

调制解调器模块: 113.4 g。

EIA-232 (RS-232) 模块: 47.6 g。

EIA-422/485 (RS-422/485) 模块: 49.9 g。

MVS 模块: 61.2 g。

12VDC 电源输入模块: 97.5 g。

24VDC 电源输入模块: 120 g。

30VDC 电源输入模块: 91 g。

审批

已通过以下欧洲标准的评估 (EMC):

EN55011 (放射性)。

EN61000-4-2 (抗静电性)。

EN61000-4-3 (电磁场抗扰性)。

EN61000-4-4 (电气快速瞬变抗扰性)。

EN61000-4-5 (抗浪涌性)。

EN61000-4-6 (传导抗扰性)。

已通过以下欧洲标准的评估 (ATEX):

EN60079-0:2012。

EN60079-15:2010。

已通过 Sira 的 Model W40135 认证。

已通过以下标准的评估 (IEC):

IEC 60079-0:2011 (第 6 版)

IEC 60079-15:2010, 第 4 版

危险场所使用产品标记:

Ex nA IICT4 Gc (-40°C ≤ T_{amb} ≤ +75°C),



证书编号 Sira 05ATEX4046X

1. 您收到包装在盒子中的 ROC800 后, 将其从盒子中取出。

2. 找到 ROC800 的合适安装位置。务必将 ROC800 安装在用户提供的机柜中, 因为 ROC800 不可直接暴露于雨、雪、冰、吹尘或碎屑以及腐蚀性环境中。如果要在室外安装 ROC800, 则必须将其置于 IP54 (或更好) 防护等级的机柜之中。

注: 如果将 ROC800 置于机柜中, 请使用附带的延长电缆将天线置于机柜外。密封机柜上的所有孔洞, 以确保维持所需的 IP54 防护等级。

在选择机柜时, 一定要检查所有空隙。留出足够的间隙进行接线和维修。请参见图 2 和图 3。

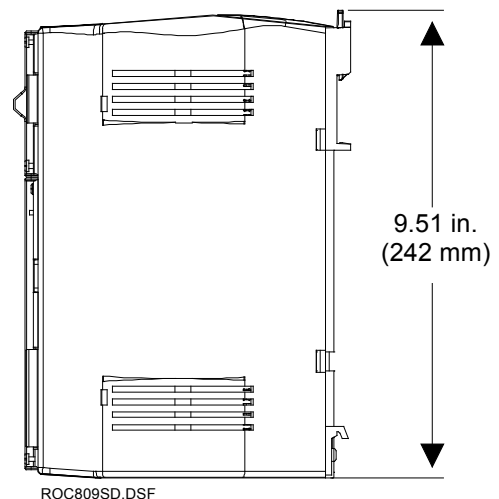


图 2. ROC809 侧视图

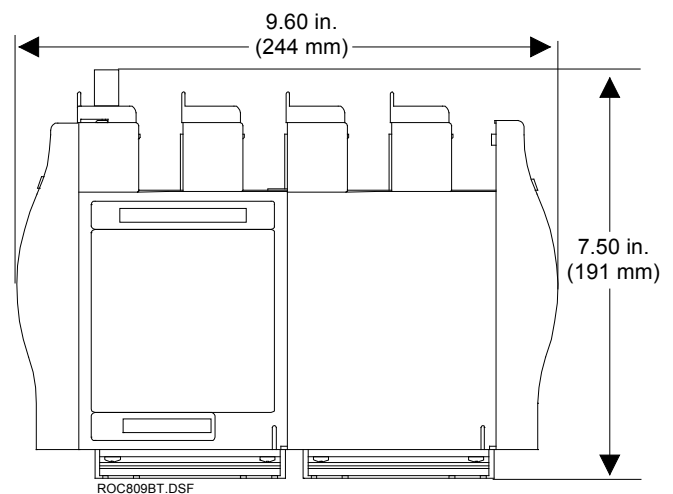
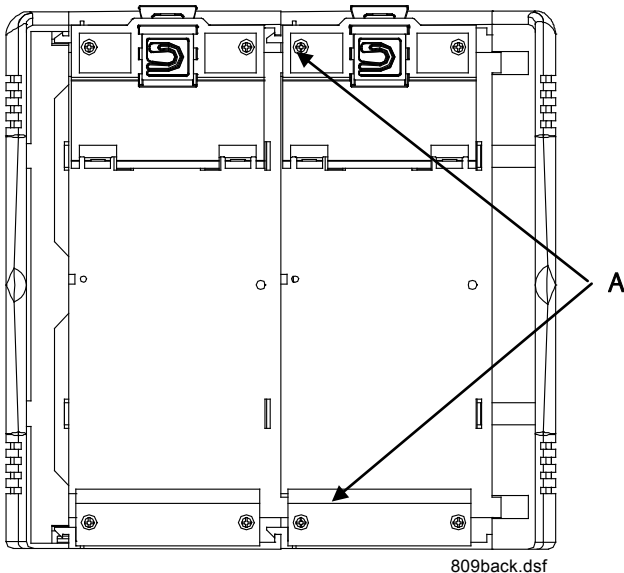


图 3. ROC809 仰视图

3. ROC800 外壳安装到两个 35 x 7.5 毫米的 DIN 导轨上。请参见图 4。

- 将上 DIN 导轨安装到 ROC800。
- 将下 DIN 导轨安装在背板上。
- 将 ROC800 放在安装到背板的下导轨上，确保 ROC800 的下缘与面板平齐。
- 转动 ROC800 顶部直至其与面板平齐。
- 将 DIN 导轨的上腕带固定到面板上。



A DIN 导轨安装

图 4. ROC809 背面

4. 如果您的公司没有特定的接地要求，则请将 ROC800 设备作为“浮动”（不接地）系统来进行安装。否则，请按照贵公司的特定接地惯例。但是，如果您正在连接接地设备和 ROC800 EIA-232 (RS-232) 端口，请将 ROC800 电源**接地**。

如果必须将设备接地，请遵循以下规则：

- 如果设备使用直流电压电源，接地系统必须在电源服务中断处终止。所有设备接地导线（包括带有电源导线的电线或管道）与电源服务中断处之间必须有不断开的电流通路。
- 错误接地或接地不良经常会引起问题，例如将接地回路引入系统。ROC 装置正确接地可减少电噪声对 ROC 装置运行的影响，并可防止雷电袭击。在直流电源系统的服务中断处安装防浪涌装置，以防止安装的设备受到雷击和电涌影响。您也可以考虑为拨号调制解调器通讯模块安装电话浪涌保护器。

- 带有阴极保护的管道不是合适的地线。请勿将公用端连接至管道的阴极部分。
- ROC800 的接地安装方法取决于管道是否有阴极保护。如果管道有阴极保护，ROC 必须与管道实施电子式绝缘。所有接地的地面与接地棒或接地网之间的阻抗必须为 25 欧姆或以下（使用接地系统检测器检测）。

5. 通过每个模块正面的接线端子为 ROC800 接线。接线端子可以接受 12 AWG 或更小规格的接线。

要将接线连接至可移除的压紧式端子，请执行以下操作：

- 剥开线缆的末端（最多 ¼ 英寸）。
- 将裸露端插入螺钉端子下方的接线夹中。
- 拧紧螺钉。

ROC800 应尽量减少裸线外露部分，以防止短路。连接时保持一定的松弛度，以防过紧。

a. 连接电源接线。首先确定电源要求，并查看 *ROC800 系列远程操作控制器说明手册*（手册编号 D301217X012）的第 3 章中的电源接线说明。

确认连接极性正确。

要连接直流电源，请执行以下操作：

- 如果适合，请执行组态和日志数据的备份程序。
- 还可以在电源服务中断处安装浪涌保护设备。
- 断开 ROC800 的其他所有电源。
- 在输入电源处安装保险丝。
- 拔下插孔上的接线端子接头。
- 对每个裸露的线端执行以下操作：
 - 将 12 V DC 电源接出的裸露线端插入相应 BAT+ / BAT- 端子螺钉下方的接线夹中（请参见图 5）；**或者**
 - 将 24 V DC 电源接出的裸露线端插入相应 + / - 端子螺钉下方的接线夹中。端子还应该有保险丝（请参见图 5）；**或者**
 - 将 11-30 V DC 电源接出的裸露线端插入相应 + / - 端子螺钉下方的接线夹中（请参见图 5）

有关电源接线连接，请参见表 1、2 和 3。

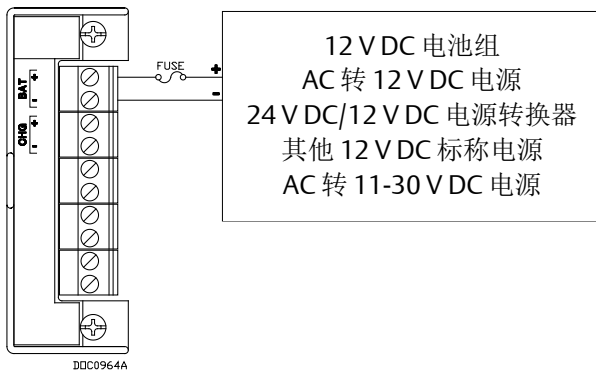


图 5. 12 Vdc 电源和 BAT+ /BAT- 接线

- 将每条线缆旋紧到接线端子。将接线端子接头插回插孔。
- 如果要监控外部充电电压（仅限 12 V DC 电源输入模块），则将 CHG+ 和 CHG- 接线端子接头接线。请参见图 6。

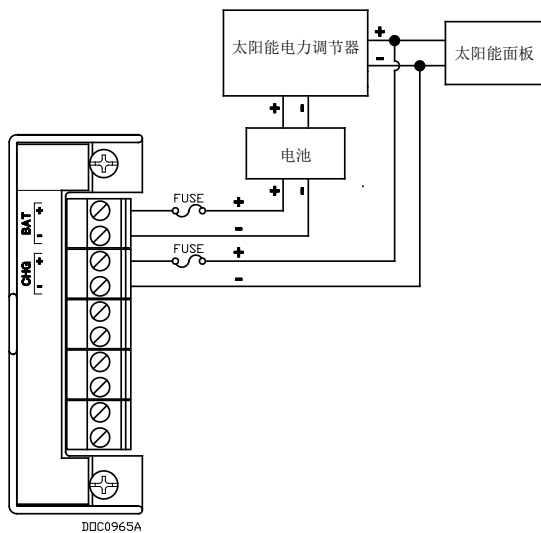


图 6. 12 Vdc 电源和 CHG+ /CHG- 接线

- 将 ROC800 的其他所有电源复原（如有必要）。
- b. 将接线连接到 I/O 和通信模块上的接线端子。有关接线图和说明，请参见 *ROC800 系列远程操作控制器说明手册*（手册编号 D301217X012）的 **第 3 章** 和 **第 4 章**。
6. 完成接线端子的接线后，将线槽盖板盖到线槽上并按入到位。请参见图 8。

7. 要启动 ROC800，请接通 ROC800 电源。LED 指示灯（在 PM-12 或 PM-30 电源输入模块上标有 V_{OK} 或在 PM-24 电源输入模块上标有 V_{12} ）应呈绿色亮起，指示施加的电压正确。另外，CPU 上的 STATUS 指示器应亮起，以指示运行状态有效。根据“节电模式”设置（仅适用于 PM-12 电源输入模块），STATUS 指示灯在工作过程中可能不会一直亮起。请参见图 8。

8. 成功启动后，请配置 ROC800 以满足应用要求。配置 ROC800 并校准 I/O 及 MVS 后，即可将 ROC800 投入运行。请参阅 *ROCLINK 800 组态软件用户手册*（用于 ROC800 系列）（手册编号 D301250X012）。ROC800 运行时，它将执行流量计算。本设备正常运行和使用过程中，不需要用户进行调整。

9. 要维护 ROC800，请定期检查接线是否有损坏迹象。ROC800 也可能需要验证流量计、MVS 和 I/O 校准。

10. 如果您碰到的问题可能与软件有关，请尝试使用热启动、冷启动或根据下方“注意事项”中的步骤重置 ROC800。

注： 重置将导致您丢失所有组态和日志数据。在尝试任何类型的重置之前，请备份组态和日志数据。

使用 CPU 模块正面的 RESET 按钮，可将装置恢复为出厂默认设置（请参见图 8）。要使用 RESET 按钮，请切断设备电源，并在接上电源时用钢笔或铁针牢牢压下该按钮 15 秒。有关热启动和冷启动的信息，请参见 *ROCLINK 800 组态软件用户手册*（用于 ROC800 系列）（手册编号 D301250X012）。

如果您遇到的问题可能与硬件有关，请检查接线。如果问题仍然存在，请联系您的当地销售处以获取返修授权。

11. 要拆卸 ROC800，首先备份装置的所有组态和日志数据。然后，切断装置的所有电源，并移除模块的所有外部接线。

12. 松开外壳背面顶部的两个 DIN 导轨锁环，将 ROC800 外壳从 DIN 导轨中移除。

13. 将 ROC800 放入箱中，以便存放或运输。

将 FFI 连接至 ROC827 内

如需要把 FOUNDATION 现场总线接口 (FFI) 当做 ROC827 系列 2 (如图 9 所示) 的组成部分进行安装, 请按照图 7 所示将 FFI 连接至 ROC800。

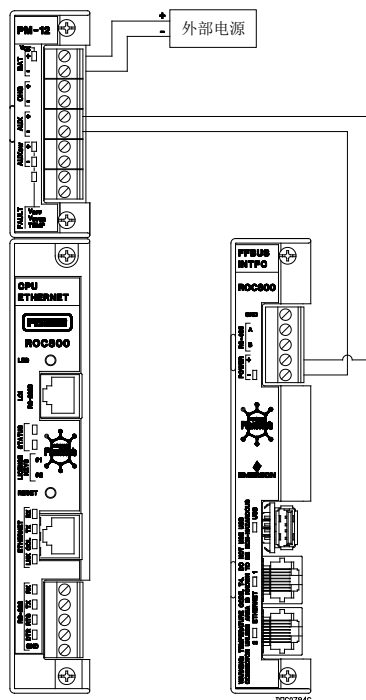


图 7. ROC827 和 FFI 接线 (FFI 在 ROC827 外壳内)

注: 这是**首选**接线方法, 因为它可确保切断 ROC800 CPU 的电源时也会切断 FFI 的电源。

有关操作 FFI 的更多信息, 请参阅 *FOUNDATION 现场总线接口安装手册* (手册编号 D301461X012)。有关组态 FFI 的更多信息, 请参阅 *现场总线接口组态软件用户手册* (手册编号 D301575X012)。有关安全使用 FFI 操作的更多信息, 请参阅 *安全使用说明 – FOUNDATION 现场总线接口* (手册编号 D3011666X012)。

表 1.12 VDC 电源输入接线端子连接

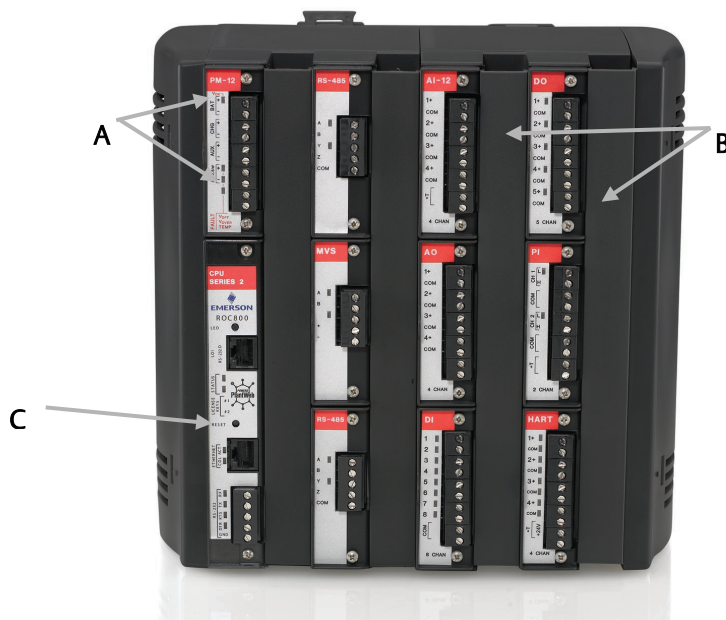
接线端子	说明	VDC
BAT+ 和 BAT-	接受来自 AC/DC 转换器或其他 12 VDC 电源的 12 VDC 标称电源。	11.25 至 16 VDC
CHG+ 和 CHG-	用于监控外部充电电源的模拟输入。	0 至 18 VDC
AUX+ 和 AUX-	向外部设备提供极性反接保护的电源电压。	BAT+ 减去 0.7 VDC
AUX _{SW} + 和 AUX _{SW} -	为外部设备提供交换电源。	BAT+ 减去 0.7 VDC

表 2.24 VDC 电源输入接线端子连接

接线端子	说明	VDC
+ 和 -	接受来自 AC/DC 转换器或其他 24 VDC 电源的 24 VDC 标称电源。	20 至 30 VDC
AUX+ 和 AUX-	向外部设备提供极性反接保护的电源电压。	11.3 VDC

表 3. 30 VDC 电源输入接线端子连接

接线端子	说明	V DC
+ 和 -	接受来自 AC/DC 转换器或其他 30 VDC 电源的 30 VDC 标称电源。	11 至 30 V DC
AUX+ 和 AUX-	向外部设备提供极性反接保护的电源电压（电压输出跟随输入）。	BAT+ 减去 0.7 V DC
AUX _{SW} + 和 AUX _{SW} -	为外部设备提供交换电源。	BAT+ 减去 0.7 V DC



- A 电源输入模块上的 LED 指示灯
- B 线槽盖板
- C RESET 按钮

图 8. ROC809 远程操作控制器

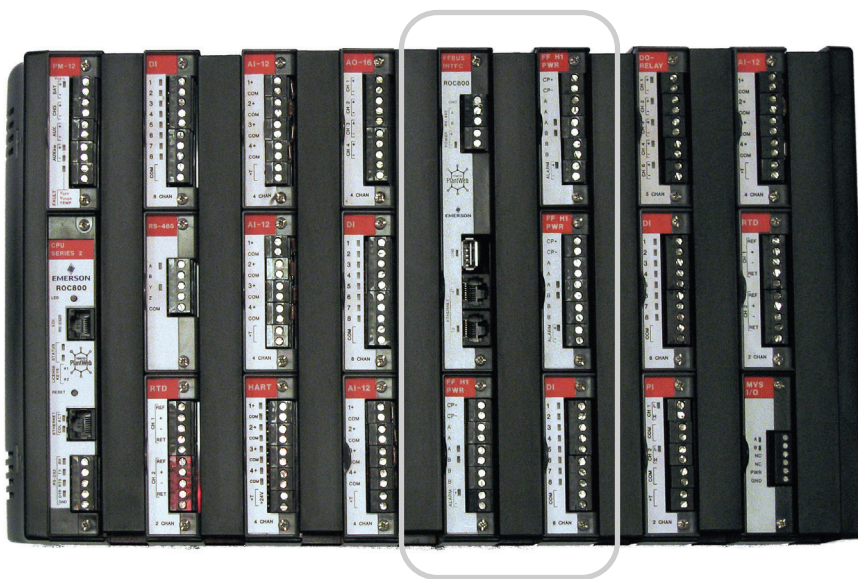


图 9. 已安装 Foundation 现场总线接口的 ROC827

如需客户服务和技术支持，请访问
www.emersonprocess.com/remote/support

中国总部：

艾默生过程管理

上海市浦东新区

新金桥路 1277 号

邮编：201206

电话：021-2892 9000

传真：021-2892 9001

北京：

北京市朝阳区雅宝路 10 号

凯威大厦 7 层

邮编：100020

电话：010-8572 6666

传真：010-8572 6888

广州：

广州市东风中路 410-412 号

时代地产中心 2107 室

邮编：201206

电话：020-2883 8900

传真：020-2883 8901

西安：

西安市高新区锦业一路 34 号

西安软件园研发大厦 9 层

邮编：710065

电话：029-8865 0888

传真：029-8865 0899

成都：

成都市科华北路 62 号

力宝大厦 5-10-10

邮编：610041

电话：028-6235 0188

传真：028-6235 0199

www.EmersonProcess.com.cn

全国服务热线：400-820-1996

全国服务邮箱：china.info@emerson.com

© 2005-2016 远程自动化，艾默生过程管理旗下的业务部门。保留所有权利。

远程自动化是艾默生过程管理的一个业务部门，对于本手册中的技术性编辑错误或本手册中的遗漏不承担任何责任。远程自动化对于本手册某一特定用途的适销性和适合性不作出任何明示或暗示的保证，而且远程自动化在任何情况下均不对偶然性、惩罚性、特殊或间接损害（包括但不限于生产损失、利润损失、收益损失或由于资金、燃料和动力以及第三方索赔等情况所引起的费用）承担责任。

艾默生过程控制有限公司、Remote Automation Solutions (UK) 为艾默生电气公司的全资子公司。它们经营的业务与艾默生过程管理的远程自动化业务部门相同。FloBoss、ROCLINK、ControlWave、Helicoid 和 OpenEnterprise 是远程自动化的商标。AMS、PlantWeb 和 PlantWeb 徽标是艾默生电气公司旗下艾默生过程管理业务部门的标志。艾默生过程管理、Emerson 和艾默生徽标都是艾默生电气公司的商标和服务标志。所有其他商标都归其各自所有者所有。

本出版物的内容仅供参考。我们已尽最大努力确保信息的准确性，这些信息不得视为对此处所述产品或服务以及其使用或适用性的明示或暗示保证或担保。艾默生过程管理有权随时修改或改进产品的设计或规格，恕不另行通知。所有销售均受艾默生过程管理的条款和条件的制约，这些条款或条件在要求时可提供。艾默生过程管理对任何产品的选择、使用和维护概不负责。购买者和最终用户应该独自承担正确选择、使用和维护任何产品的责任。

وحدة التحكم في العمليات عن بعد لسلسلة ROC800

4. تأكد أن موصلات الكابلات المستخدمة تحمل التصنيف 75 درجة C أو أعلى.
5. إذا قمت بتركيب وحدة IEC 62591 أو وحدة المعالجة المركزية (CPU) لنافق FOUNDATION في ROC800، فلا تستخدم موصل USB في منطقة معروفة بخطورتها.

إعلان المطابقة

تقر Remote Automation Solutions بموجبه أن منتجات سلسلة ROC800 تتمثل للمتطلبات الأساسية للتوجيهات الأوروبية (EMC) 2004/108/EC و (ATEX) 94/9/EC والأحكام الأخرى ذات الصلة.

MODEL W40135 FLOW COMPUTER		
POWER MODULE INPUT VOLTAGE AND RATED MAXIMUM POWER		
PM-12	BAT: 11.25 TO 16 VDC, CHG: 0 TO 18 VDC	46 WATTS
PM-24	POWER INPUT: 20 TO 30 VDC	46 WATTS
PM-30	POWER INPUT: 11 TO 30 VDC	76 WATTS

OPERATING AMBIENT TEMP: -40 TO +75°C
Sira 05ATEX4046X
IECEx CSA 15.0053X
Ex nA IIC T4 Gc, -40°C ≤ Tamb ≤ +75°C

MUST BE INSTALLED IN IP54 OR BETTER ENCLOSURE OR EQUIVALENT LOCATION. INSTALL ASSEMBLY PER SAFE-USE INSTRUCTIONS PROVIDED.
BATTERY REPLACEMENT TYPE: REFER TO SERVICE MANUAL
FUSE REPLACEMENT: 2.5 AMP FAST-ACTING TYPE

FOUNDATION FIELDBUS INTERFACE RATINGS
(WHEN INSTALLED & EXTERNALLY POWERED PER INSTRUCTIONS)
POWER INPUT: 10 TO 30 VDC
POWER: 42 WATTS MAX (INTERFACE & DOWNSTREAM MODULES)
FUSE REPLACEMENT: 6.3 AMP SLO-BLO TYPE

WARNING: EXPLOSION HAZARD – DO NOT CONNECT/DISCONNECT WHILE CIRCUIT IS LIVE UNLESS AREA IS KNOWN TO BE NON-HAZARDOUS.

BRISTOL, INC. dba REMOTE AUTOMATION SOLUTIONS
WATERTOWN, CT, USA
W11411X0022

DOC0986A

الشكل 1. ملصق سلسلة ROC800

استخدم هذا المستند الخاص بإرشادات الاستخدام الآمن (SUI) مع دليل إرشادات وحدة التحكم في العمليات عن بعد لسلسلة ROC800 (الجزء D301217X012). وللإطلاع على التنبيهات والأوصاف الكاملة لإجراءات التركيب واستكشاف المشكلات وحلها، ارجع إلى هذا الدليل. إذا كنت بحاجة للتدريب على هذا المنتج، فتصل بمكتب المبيعات المحلي.

يمكن طلب وحدة التحكم في العمليات عن بعد لسلسلة ROC800 (أو "ROC800") باستخدام تصديق ATEX من خلال أي من الاتصالات الاختيارية أو وحدات الدخل/الخرج المدرجة في المواصفات الفنية وحدات التحكم في العمليات عن بعد لسلسلة (ROC800).

تتضمن شهادة هذا الجهاز الشروط الخاصة التالية للاستخدام الآمن (X):

1. في حالة استخدام مستشعر Remote MVS مع هذا الجهاز، لاحظ أن هذا المستشعر يحتوي على حاجز جداري رقيق. يجب أن يراعي التركيب، والصيانة، والاستخدام الظروف البيئية التي يتعرض لها هذا الحاجز. عند تركيب الجهاز وصيانته، عليك اتباع إرشادات الشركة المصنعة بالتفصيل لضمان السلامة خلال فترة العمل المتوقعة للجهاز.
2. قم بتركيب الجهاز في حاوية IP54 أو أفضل أو موقع مماثل. يجب أن تكون أي حاوية معتمدة على نحو ملائم أو مصدقًا عليها لمنطقة الاستخدام (المنطقة 2).
3. تأكد من عدم تجاوز جهد الدخل المقدر في الخدمة.



تنبيه

عند تركيب الوحدات في منطقة خطرة، تأكد من أن جميع مكونات التركيب المحددة مميزة بملصقات/علامات توضح ملاءمتها للاستخدام في هذه المناطق. لا يجب إجراء التركيب والصيانة إلا عندما يكون من المؤكد أن المنطقة غير خطرة. إذ قد يؤدي التركيب أو الصيانة في منطقة خطرة إلى التعرض لإصابة جسدية أو تلف الممتلكات.

احرص دائمًا على فصل الطاقة عن ROC800 قبل أن تشرع في إجراء أي نوع من أنواع التوصيلات السلكية. قد يؤدي إجراء توصيلات سلكية بالمعدّة وهي مزوّدة بالطاقة إلى التعرض لإصابة جسدية أو تلف الممتلكات.

لتجنب تلف الدائرة عند العمل داخل الوحدة، التزم باحتياطات التفريغ الإلكترونياتيكّي الملائمة، مثل ارتداء شريط معصم مؤرض.



تنبيه

تحقق من قطبية طاقة الدخل قبل توصيل الطاقة بـ ROC800.

الأدوات التالية لازمة لإجراء التركيب، والصيانة، واستكشاف المشكلات وحلها:

كمبيوتر شخصي يعمل بنظام التشغيل Microsoft® Windows® 2000 (مع Service Pack 2) أو Windows XP أو Windows Vista أو Windows 7.

برنامج تكوين ROCLINK™ 800.

مفك فيليبس (برأس متصالب).

مفك برأس مسطح.

واجهة FOUNDATION™ Fieldbus Interface المتكاملة

يمكنك تركيب واجهة Foundation Fieldbus Interface في حاوية ROC827 سلسلة 2. لمزيد من المعلومات، انظر توصيل واجهة FFI بـ ROC827 بهذا المستند.

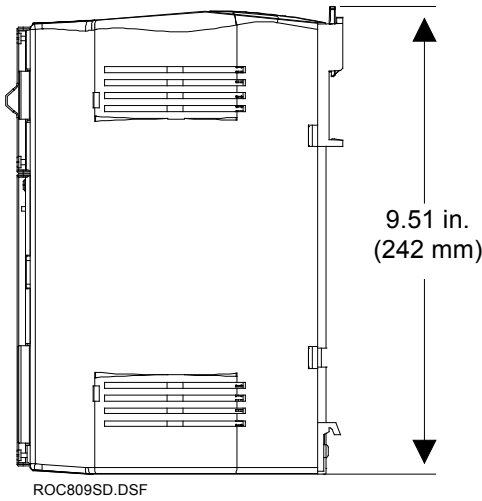


1. تستلم ROC800 في صندوق. أخرجه من الصندوق.

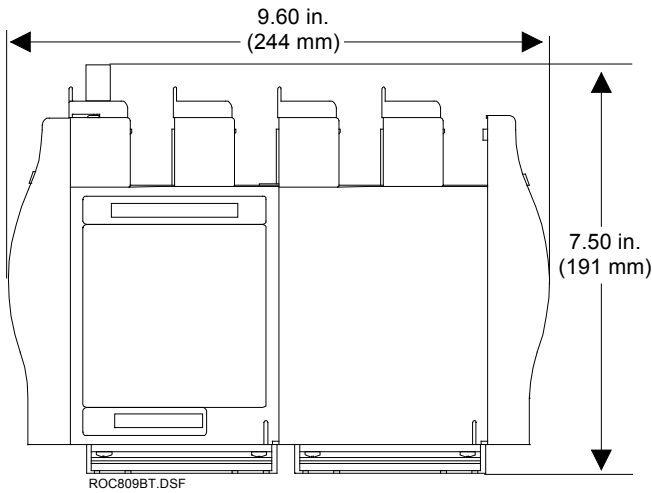
2. حدد مكاناً مناسباً لـ ROC800. احرص على تركيب ROC800 في حاوية مزودة للمستخدم، حيث يحتاج ROC800 للحماية من التعرض المباشر للأمطار والجليد والتلج والأترربة المتطايرة والأجواء التي تساعد على التآكل. في حالة تركيب ROC800 خارج أحد المباني، يجب وضعه في حاوية تحمل التصنيف IP54 (أو أفضل).

ملاحظة: إذا وضعت ROC800 داخل حاوية، فاستخدم كابل الإطالة المرفق لوضع الهوائي خارج الحاوية. قم بإحكام غلق أي فتحات تقوم بصنعها في الحاوية لهذا الغرض من أجل ضمان الحفاظ على تصنيف IP54 المطلوب.

3. عند اختيار حاوية، احرص على التحقق من جميع مسافات الخلوص. وحرص على توفير الخلوص الكافي للتوصيلات السلكية والخدمة. انظر الشكل 2 و الشكل 3.



الشكل 2. منظر جانبي لـ ROC809



الشكل 3. منظر سفلي لـ ROC809

3. يتم تركيب مبيّت ROC800 على قضيب DIN مقاس 35 × 7.5 مم.
انظر الشكل 4.

المواصفات

الطاقة

وحدة دخل بطاقة 12 فولت من التيار المستمر:
نطاق التشغيل: 11.25 إلى 16 فولت من التيار المستمر.
تيار الدخل: 5 أمبير بحد أقصى.
وحدة دخل بطاقة 24 فولت من التيار المستمر:
نطاق التشغيل: 20 إلى 30 فولت من التيار المستمر.
تيار الدخل: 2 أمبير بحد أقصى.
وحدة دخل بطاقة 30 فولت من التيار المستمر:
نطاق التشغيل: 11 إلى 30 فولت من التيار المستمر.
تيار الدخل: 7 أمبير بحد أقصى.

المواد

العلبة: بلاستيك ستايرين بوتادين أكريلونتريل (ABS).
أغطية قناة الأسلاك: بلاستيك البوليبروبيلين.
الوحدات: بولستر بلاستيك حراري، مقاوم للمذيبات.

المواصفات البيئية

درجة حرارة التشغيل: -40 إلى +75 مئوية.
درجة الحرارة أثناء التخزين: -40 إلى +85 مئوية.
الرطوبة النسبية: IEC68-2-3؛ 5 إلى 95% دون تكاثف.

الوزن

1.65 كجم للمبيّت واللوحة الأساسية ووحدة المعالجة المركزية (CPU).
وحدات الدخل/الخرج: تتنوع من 49 إلى 60 جم.
وحدة المودم: 113.4 جم.
وحدة (EIA-232 (RS-232): 47.6 جم.
وحدة (EIA-422/485 (RS-422/485): 49.9 جم.
وحدة MVS: 61.2 جم.
وحدة دخل بطاقة 12 فولت من التيار المستمر: 97.5 جم.
وحدة دخل بطاقة 24 فولت من التيار المستمر: 120 جم.
وحدة دخل بطاقة 30 فولت من التيار المستمر: 91 جم.

التصديقات

تم تقييمه وفقاً للمعايير الأوروبية التالية (EMC):
EN55011 (الانبعاثات).

EN61000-4-2 (الحماية من التفريغ الإلكتروني).
EN61000-4-3 (الحماية من الحقول الكهرومغناطيسية).
EN61000-4-4 (الحماية من الانتقالات الكهربائية السريعة).
EN61000-4-5 (الحماية من التيار المفاجئ).
EN61000-4-6 (الحماية المُدارة).

تم تقييمه وفقاً للمعايير الأوروبية التالية (ATEX):

EN60079-0:2012

EN60079-15:2010

معتمد من Sira كطراز W40135.

تم تقييمه وفقاً للمعايير التالية (IEC):

IEC 60079-0:2011 (الإصدار السادس)

IEC 60079-15:2010، الإصدار الرابع

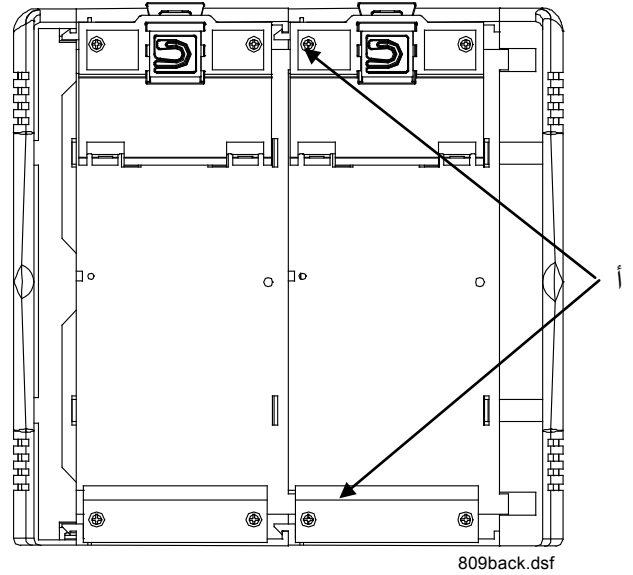
علامات المنتج للأماكن الخطرة:

Ex nA IIC4 Gc (-40°C ≤ T_{amb} ≤ +75°C),



Cert. No. Sira 05ATEX4046X

- لا يعد الأنبوب المزود بحماية سالبة القطب تأريضًا جيدًا. لا تربط القطب المشترك بالجزء السالب من الأنبوب.
- تعتمد طريقة تركيب الأرضي لجهاز ROC800 على ما إذا كان الأنبوب مزودًا بحماية سالبة القطب. في الأنبوب المزود بحماية سالبة القطب، يجب عزل ROC كهربيًا عن الأنبوب. يجب أن تبلغ معاوقة القضيب أو الشبكة من الأرضي إلى الأرضي لجميع الأطراف الأرضية 25 أوم أو أقل، كما هو مقيس باستخدام أحد أجهزة اختبار الأنظمة الأرضية.
- 5. قم بتوصيل سلك ROC800 من خلال المجموعات الطرفية بمقدمة كل وحدة. تقبل المجموعات الطرفية الأسلاك بحجم 12 AWG أو أصغر.
- لتوصيل السلك بأطراف ضغط المجموعة القابلة للإزالة:
 - قم بتقشير طرف السلك (¼ بوصة بحد أقصى).
 - أدخل الطرف المكشوف في المشبك أسفل برغي الإنهاء.
 - اربط البرغي.
- ينبغي أن يتضمن ROC800 سلكًا مُقَسَّرًا مكشوفًا واحدًا على الأقل لتجنب دوائر القصر الكهربائي. اترك بعض الارتخاء عند إجراء التوصيلات لتجنب الشد.
- أ- وصل سلك الطاقة. حدد أولاً متطلبات الطاقة وراجع وصف أسلاك الطاقة الوارد في الفصل 3 في دليل إرشادات وحدة التحكم في العمليات عن بعد لسلسلة ROC800 (الجزء D301217X012).
- تحقق من صحة قطبية التوصيل.
- لعمل توصيلات مصدر طاقة التيار المستمر:
 - قم بإجراء التكوين الاحتياطي وإجراء بيانات السجل، إذا كان ذلك ملائمًا.
 - يمكنك تركيب جهاز وقاية من التيارات المفاجئة عند انقطاع الخدمة.
 - قم بإزالة جميع مصادر الطاقة الأخرى من ROC800.
 - قم بتركيب مصهر في مصدر طاقة الدخل.
 - أخرج موصل المجموعة الطرفية من المقيس.
 - أدخل كل طرف سلك مكشوف من:
 - مصدر التيار المستمر بجهد 12 فولت في المشبك أسفل برغي الإنهاء الملائم BAT+ / BAT- (انظر /شكل 5)
 - مصدر التيار المستمر بجهد 24 فولت في المشبك أسفل برغي الإنهاء +/- . يجب أن يكون الطرف + مزودًا أيضًا بمصهر (انظر /شكل 5) أو



أ حامل قضيب DIN

الشكل 4. الجانب الخلفي من ROC809

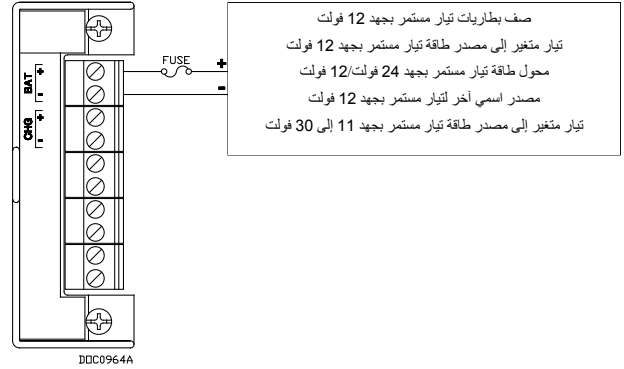
- 4. إذا لم يكن لشركتك متطلبات خاصة بالتأريض، فقم بتركيب وحدة ROC800 "كنظام عائم" (غير متصل بالأرضي). وبخلاف ذلك، اتبع قواعد التأريض الخاصة بشركتك. ولكن إذا كنت تقوم بعمل توصيلة بين جهاز مؤرّض ومنتفذ ROC800 EIA-232 (RS-232)، فقم بتأريض مصدر طاقة ROC800.

إذا كانت تأريض الجهاز ضروريًا، فاتباع التوجيهات التالية:

- عند استخدام الجهاز مصدر فولطية تيار مستمر، فيجب أن ينتهي نظام التأريض عند انقطاع الخدمة. يجب أن تتيح جميع موصلات تأريض الجهاز – بما في ذلك السلك أو المجرى الحامل لموصلات مصدر الطاقة – مسارًا كهربيًا متواصلًا حتى انقطاع الخدمة.
- يمكن أن تؤدي ممارسات التأريض الخاطيء أو غير الجيد في غالب الأحيان إلى مشكلات، مثل التسبب في التفاف الأرضي داخل النظام. إن تأريض ROC على نحو ملائم يساعد على تقليل تأثيرات الضجيج الكهربائي على تشغيل وحدة ROC، كما أنه يحميها من البرق. قم بتركيب جهاز وقاية من التيارات المفاجئة عند انقطاع الخدمة على أنظمة مصدر فولطية تيار مستمر لحماية الجهاز الذي تم تركيبه من البرق والتدفقات المفاجئة بالتيار. يمكن أن تضع في اعتبارك أيضًا جهاز حماية هاتفي ضد التيار المتغير لوحدة الاتصالات الاختيارية بواسطة مودم يعمل بنمط الاتصال الهاتفي.

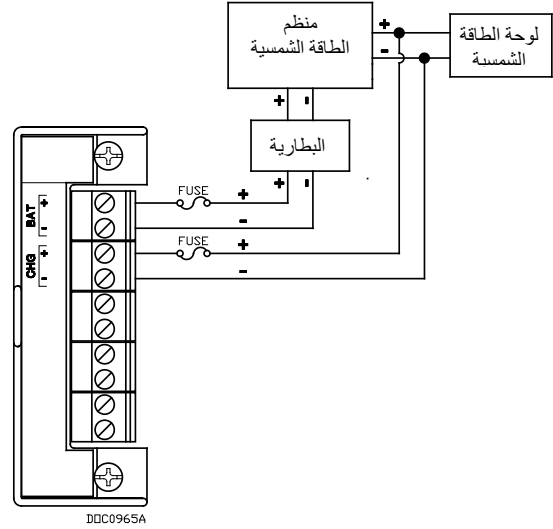
- مصدر التيار المستمر بجهد 11-30 فولت في المشبك أسفل براغي الإنهاء +/- (انظر الشكل 5)

راجع الجداول 1، و2، و3 للتعرف على وصلات أسلاك الطاقة.



الشكل 5. مصدر طاقة تيار مستمر بجهد 12 فولت وأسلاك BAT- / BAT+.

- قم بتثبيت كل سلك في المجموعة الطرفية. أدخل موصل المجموعة الطرفية في المقبس مرة أخرى.
- إذا كنت ترأب فولطية شحن خارجية (وحدة دخل طاقة تيار مستمر بجهد 12 فولت فقط)، فقم بتوصيل موصل المجموعة الطرفية +CHG و-CHG. راجع الشكل 6.



الشكل 6. مصدر طاقة تيار مستمر بجهد 12 فولت وأسلاك CHG- / CHG+.

- استبدل جميع مصادر الطاقة الأخرى (إذا لزم الأمر) بـ ROC800.

ب- وصل الأسلاك بالمجموعات الطرفية على وحدات الدخل/الخرج ووحدات الاتصالات. راجع الفصولين 3 و4 في دليل إرشادات وحدة التحكم في العمليات عن بعد لسلسلة ROC800 (الجزء D301217X012) للتعرف على مخططات الأسلاك والتوضيحات المصاحبة لها.

- 6. اضغط على أغلفة قنوات الأسلاك لإدخالها في موضعها على قنوات الأسلاك، وذلك بعد اكتمال توصيل أسلاك المجموعات الطرفية. انظر الشكل 8.

7. لتشغيل ROC800، وصل مصدر الطاقة به. سيضيء مؤشر LED (الذي يحمل العلامة V_{OK} على وحدة دخل الطاقة PM-12 أو PM-30 أو V_{12} على وحدة دخل طاقة PM-24) باللون الأخضر لتأكيد صحة الفولطية المستخدمة. بعد ذلك سيضيء مؤشر الحالة STATUS على وحدة المعالجة المركزية (CPU) لتوضيح صحة التشغيل. وفقاً لإعداد نمط توفير الطاقة (Power Saving Mode) (متاح فقط على وحدة دخل طاقة PM-12)، قد لا يستمر مؤشر STATUS في الإضاءة أثناء التشغيل. انظر الشكل 8.

8. عند نجاح بدء التشغيل، قم بتكوين ROC800 لتلبية متطلبات التطبيق. بعد تكوين ROC800 ومعايرة الدخل/الخروج I/O وMVS، يمكنك تشغيل ROC800. راجع دليل مستخدم برنامج تكوين ROCLINK™ 800 (لسلسلة ROC800) (الجزء D301250X012). عند تشغيل ROC800، فإنه يقوم بإجراء حسابات التدفق. أثناء التشغيل والاستخدام العادي، لا يلزم إجراء الضبط بمعرفة المستخدم لهذا الجهاز.

9. لصيانة ROC800، قم بفحص الأسلاك بشكل دوري للتحقق من وجود علامات التلف. قد يتطلب ROC800 أيضاً التحقق من معايرة المقياس وMVS وI/O.

10. إذا واجهتك مشكلات تتعلق بالبرمجة، فجرّب إعادة تعيين ROC800 عن طريق إعادة التشغيل السريع أو إعادة التشغيل البطيء أو اتباع الإجراء الوارد في الملاحظة أدناه.

ملاحظة: ستفقد جميع بيانات التكوين والسجل بإعادة التعيين. قم بعمل نسخة احتياطية لبيانات التكوين والسجل قبل محاولة إجراء أي نوع من إعادة التعيين.

يعمل الزر RESET (إعادة التعيين) على مقدمة وحدة المعالجة المركزية (CPU) على إعادة الوحدة إلى الإعدادات الافتراضية للمصنع (انظر الشكل 8). لاستخدام الزر RESET، افصل الطاقة عن الوحدة واضغط بإحكام على الزر لمدة 15 ثانية باستخدام قلم جاف أو قلم مستدق الطرف أثناء توصيل الطاقة. راجع دليل مستخدم برنامج تكوين ROCLINK™ 800 (لسلسلة ROC800) (الجزء D301250X012) لإعادة التشغيل السريع أو إعادة التشغيل البطيء.

إذا كنت تواجه مشكلات يبدو أنها تتعلق بالمكونات المادية، فتتحقق من التوصيلات السلكية. وإذا كنت لا تزال تواجه مشكلات، فاتصل بمكتب المبيعات المحلي لاعتماد الإرجاع.

11. لفك ROC800، قم أولاً بعمل نسخة احتياطية لجميع بيانات التكوين والسجل من الوحدة. ثم افصل كل مصادر الطاقة من الوحدة وأزل جميع الأسلاك الخارجية من الوحدات.

12. أخرج مبيّت ROC800 من قضبان DIN عن طريق تحرير ماسكتي قضيب DIN أعلى الجانب الخلفي للمبيّت.

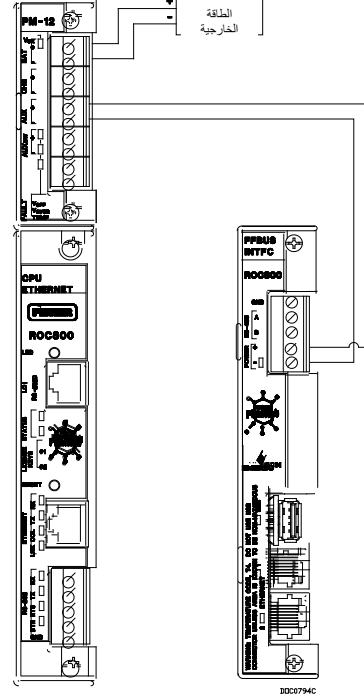
13. ضع ROC800 في الصندوق للشحن أو التخزين.

ملاحظة: هذه هي طريقة توصيل الأسلاك المفضلة، حيث تضمن فصل الطاقة عن وحدة المعالجة المركزية (CPU) في ROC800 كما تفصلها أيضًا عن واجهة FFI.

لمزيد من المعلومات عن تشغيل واجهة FFI، راجع دليل إرشادات واجهة FOUNDATION Fieldbus Interface (الجزء D301461X012). لمزيد من المعلومات عن تكوين واجهة FFI، راجع دليل مستخدم Configurator (الجزء D301575X012). لمزيد من المعلومات عن الاستخدام والتشغيل الآمن لواجهة FFI، راجع إرشادات الاستخدام الآمن – FOUNDATION Fieldbus Interface (الجزء D3011666X012).

إجراء التوصيلات السلكية لواجهة FFI بوحدة ROC827

إذا احتجت إلى تضمين واجهة FOUNDATION Fieldbus Interface (اختصارها FFI) كجزء متكامل من ROC827 سلسلة 2 (موضح في الشكل 9)، فقم بتوصيل أسلاك FFI بـ ROC800 كما هو موضح في الشكل 7.



الشكل 7. أسلاك ROC827 و FFI (واجهة FFI متضمنة في مبيت ROC827)

الجدول 1. توصيلات المجموعات الطرفية ذات دخل طاقة تيار مستمر بجهد 12 فولت

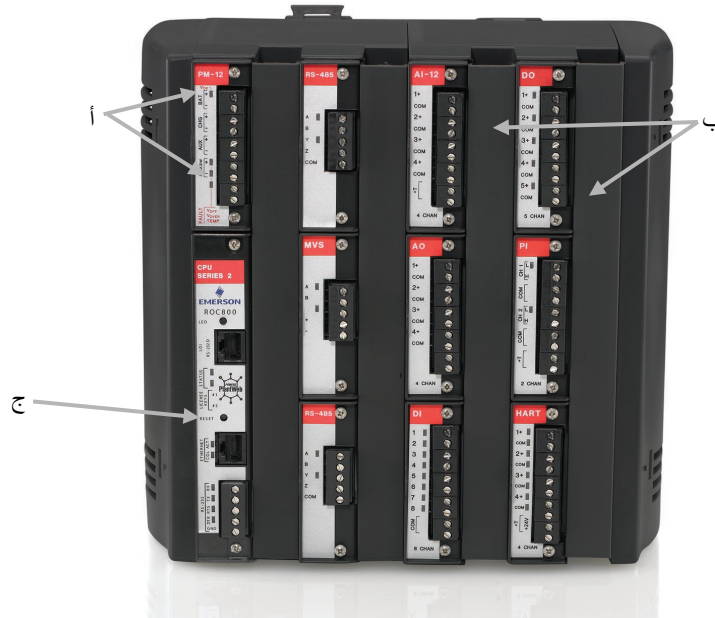
المجموعات الطرفية	الوصف	تيار مستمر بالفولت
BAT+ و BAT-	يقبل تيارًا مستمرًا اسميًا بجهد 12 فولت من محول تيار متردد/مستمر أو مصدر تيار مستمر بجهد من 11.25 إلى 16 فولت.	تيار مستمر بجهد من 11.25 إلى 16 فولت
CHG+ و CHG-	دخل تناظري (Analog Input) مستخدم لمراقبة مصدر شحن خارجي.	تيار مستمر بجهد من 0 إلى 18 فولت
AUX+ و AUX-	يقدم فولطية مصدر محمي بقطبية عكسية للأجهزة الخارجية.	تيار مستمر بجهد BAT+ ناقص 0.7
AUX _{SW} + و AUX _{SW} -	يقدم طاقة تحويل للأجهزة الخارجية.	تيار مستمر بجهد BAT+ ناقص 0.7

الجدول 2. توصيلات المجموعات الطرفية ذات دخل طاقة تيار مستمر بجهد 24 فولت

المجموعات الطرفية	الوصف	تيار مستمر بالفولت
+ و -	يقبل تيارًا مستمرًا اسميًا بجهد 24 فولت من محول تيار متردد/مستمر أو مصدر تيار مستمر بجهد من 20 إلى 30 فولت.	تيار مستمر بجهد من 20 إلى 30 فولت
AUX+ و AUX-	يقدم فولطية مصدر محمي بقطبية عكسية للأجهزة الخارجية.	تيار مستمر بجهد 11.3 فولت

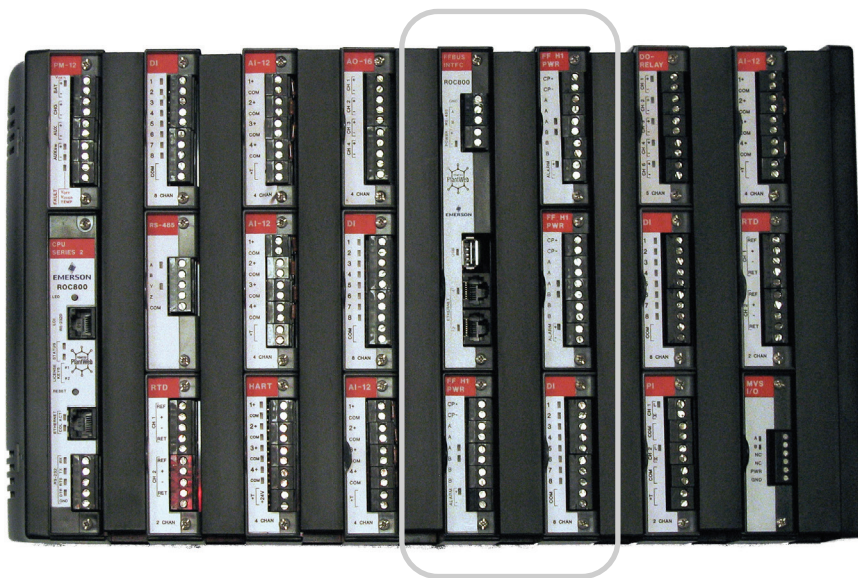
الجدول 3. توصيلات المجموعات الطرفية ذات دخل طاقة تيار مستمر بجهد 30 فولت

المجموعات الطرفية	الوصف	تيار مستمر بالفولت
+ و -	يقبل تيارًا مستمرًا اسميًا بجهد 30 فولت من محول تيار متردد/مستمر أو مصدر تيار مستمر آخر بجهد 30 فولت.	تيار مستمر بجهد من 11 إلى 30 فولت
AUX+ و -AUX	يقدم فولطية مصدر محمي بقطبية عكسية (خرج الفولطية يتبع الدخل) للأجهزة الخارجية.	تيار مستمر بجهد BAT+ ناقص 0.7
AUX _{SW} + و -AUX _{SW}	يقدم طاقة تحويل للأجهزة الخارجية.	تيار مستمر بجهد BAT+ ناقص 0.7



- أ مؤشرات LED بوحدتي دخل الطاقة
ب أغطية قناة الأسلاك
ج الزر RESET

الشكل 8. وحدة التحكم في العمليات عن بعد لـ ROC809



الشكل 9. ROC827 بواجهة Foundation Fieldbus Interface تم تركيبها

للحصول على معلومات عن خدمة العملاء والدعم الفني،
يُرجى زيارة
www.emersonprocess.com/remotesupport

المقر الرئيسي:

Emerson Process Management
Remote Automation Solutions
6005 Rogerdale Road
Houston, TX 77072 الولايات المتحدة الأمريكية
هاتف +1 281 879 2699
فاكس +1 281 988 4445
www.EmersonProcess.com/Remote

أوروبا:

Emerson Process Management
Remote Automation Solutions
Unit 8, Waterfront Business Park
Dudley Road, Brierley Hill
DY5 1LX المملكة المتحدة
هاتف +44 1384 487200
فاكس +44 1384 487258
www.EmersonProcess.com/Remote

أمريكا الشمالية/أمريكا اللاتينية:

Emerson Process Management
Remote Automation Solutions
6005 Rogerdale Road
Houston TX الولايات المتحدة الأمريكية 77072
هاتف +1 281 879 2699
فاكس +1 281 988 4445
www.EmersonProcess.com/Remote

الشرق الأوسط/إفريقيا:

Emerson Process Management
Remote Automation Solutions
Emerson FZE
صندوق بريد رقم 17033
المنطقة الحرة في جبل علي – الجنوب 2
دبي، الإمارات العربية المتحدة
هاتف +971 4 8118100
فاكس +971 4 8865465
www.EmersonProcess.com/Remote

دول آسيا المطلة على المحيط الهادئ:

Emerson Process Management
Remote Automation Solutions
1 Pandan Crescent
سنغافورة 128461
هاتف +65 6777 8211 | فاكس +65 6777 0947
www.EmersonProcess.com/Remote



حقوق الطبع والنشر © لعام 2005-2016 لصالح Remote Automation Solutions، وهي وحدة أعمال تابعة لشركة Emerson Process Management. جميع الحقوق محفوظة.

لا تتحمل Remote Automation Solutions - وهي وحدة أعمال تابعة لشركة Emerson Process Management - المسؤولية القانونية عن الأخطاء الفنية أو التحريرية في هذا الدليل أو الإسقاطات من هذا الدليل. ولا تقدم REMOTE AUTOMATION SOLUTIONS أي ضمانات، صريحة كانت أم ضمنية، بما في ذلك على سبيل المثال لا الحصر، الضمانات الضمنية لقبولية التسويق والملازمة لغرض معين، وذلك فيما يتعلق بهذا الدليل، ولا تتحمل REMOTE AUTOMATION SOLUTIONS في أي حال من الأحوال المسؤولية القانونية عن أي أضرار عرضية، أو تليبية، أو خاصة، أو تبعية، بما في ذلك على سبيل المثال لا الحصر، خسارة الإنتاج، أو خسارة الأرباح، أو خسارة العوائد، أو الاستخدام، وكذلك التكاليف التي يتم تحملها، بما في ذلك على سبيل المثال لا الحصر، مقابل رأس المال، والطاقة، والوقود، وكذلك دعاوى الأطراف الخارجية.

Remote Automation Solutions (UK) التابعة لشركة Emerson Process Management Ltd هي شركة فرعية مملوكة بالكامل لصالح Emerson Electric Co. التي تمارس نشاطها التجاري باسم Remote Automation Solutions، وهي وحدة أعمال تابعة لشركة Emerson Process Management. FloBoss، ROCLINK، و Helicoid، ControlWave، و AMS، PlantWeb، وشعار OpenEnterprise هي علامات تجارية لصالح Remote Automation Solutions. Emerson Process Management، وشعار PlantWeb هي علامات مملوكة لصالح إحدى الشركات في وحدة الأعمال الخاصة بشركة Emerson Electric Co. إن Emerson Process Management و Emerson وشعار Emerson هي علامات تجارية وعلامات خدمة لصالح Emerson Electric Co. جميع العلامات الأخرى تخص مالكيها المعنيين.

يتم تقديم محتوى هذا المنشور لأغراض إعلامية فقط. وعلى الرغم من بذل كل جهد لضمان دقة المعلومات، إلا أنها لا تمثل أي ضمانات أو كفاءات، صريحة كانت أم ضمنية، وذلك فيما يتعلق بالمنتجات أو الخدمات الموصوفة هنا، أو استخدامها، أو قابليتها للتطبيق. وتحتفظ Remote Automation Solutions بالحق في تعديل تصميمات هذه المنتجات أو مواصفاتها، أو القيام بتحسينها في أي وقت دون سابق إخطار. وتخضع جميع المبيعات لبندود Remote Automation Solutions وشروطها، والتي تتوفر عند الطلب. ولا تتحمل Remote Automation Solutions المسؤولية عن اختيار أي منتج، أو استخدامه، أو صيانتها. ولا يتحمل مسؤولية اختيار أي منتج من منتجات Remote Automation Solutions، واستخدامه، وصيانتها بشكل ملائم سوى المشتري والمستخدم النهائي لهذا المنتج.

Controllore remoto serie ROC800

MODEL W40135 FLOW COMPUTER		
POWER MODULE INPUT VOLTAGE AND RATED MAXIMUM POWER		
PM-12	BAT: 11.25 TO 16 VDC, CHG: 0 TO 18 VDC	46 WATTS
PM-24	POWER INPUT: 20 TO 30 VDC	46 WATTS
PM-30	POWER INPUT: 11 TO 30 VDC	76 WATTS
OPERATING AMBIENT TEMP: -40 TO +75°C		
Sirα 05ATEX4046X		
IECEX CSA 15.0053X		
Ex nA IIC T4 Gc, -40°C ≤ Tamb ≤ +75°C		
MUST BE INSTALLED IN IP54 OR BETTER ENCLOSURE OR EQUIVALENT LOCATION. INSTALL ASSEMBLY PER SAFE-USE INSTRUCTIONS PROVIDED.		
BATTERY REPLACEMENT TYPE: REFER TO SERVICE MANUAL		
FUSE REPLACEMENT: 2.5 AMP FAST-ACTING TYPE		
FOUNDATION FIELDBUS INTERFACE RATINGS (WHEN INSTALLED & EXTERNALLY POWERED PER INSTRUCTIONS)		
POWER INPUT: 10 TO 30 VDC		
POWER: 42 WATTS MAX (INTERFACE & DOWNSTREAM MODULES)		
FUSE REPLACEMENT: 6.3 AMP SLO-BLO TYPE		
WARNING: EXPLOSION HAZARD – DO NOT CONNECT/DISCONNECT WHILE CIRCUIT IS LIVE UNLESS AREA IS KNOWN TO BE NON-HAZARDOUS.		
		
BRISTOL, INC. dba REMOTE AUTOMATION SOLUTIONS WATERTOWN, CT, USA		
		W11411X0022

DOC0986A

Figura 1. Etichetta serie ROC800

Utilizzare queste istruzioni per l'uso sicuro (SUI, Safe Use Instructions) con il *Manuale di istruzioni del controllore remoto serie ROC800* (parte D301217X012). Per tutte le avvertenze e le descrizioni delle procedure di installazione e la risoluzione dei problemi, fare riferimento al presente manuale. Se è necessaria formazione per questo prodotto, contattare l'ufficio vendite locale.

Il controllore remoto serie ROC800 (o "ROC800") con certificazione ATEX può essere ordinato con qualsiasi modulo di comunicazione o di I/O opzionale elencato nelle specifiche tecniche *Controllori remoti serie ROC800* (ROC800).

Il certificato per questo apparecchio comprende le seguenti condizioni speciali per l'uso sicuro (X):

1. Se con questo apparecchio si utilizza il sensore remoto opzionale MVS, si noti che il sensore contiene una membrana di separazione a pareti sottili. Durante l'installazione, la manutenzione e l'uso del dispositivo è necessario tenere in considerazione le condizioni ambientali alle quali è sottoposta la membrana di separazione. Per poter garantire la massima sicurezza durante l'uso del dispositivo, le istruzioni per l'installazione e la manutenzione rilasciate dal produttore devono essere osservate nei minimi dettagli.
2. Installare l'apparecchio in una custodia o ubicazione equivalente con grado di protezione IP54 o superiore. La custodia deve essere adeguatamente certificata o altrimenti approvata per la zona d'uso (Zona 2).
3. Durante il funzionamento assicurarsi che non venga superata la tensione nominale di ingresso.

4. Verificare che i cavi conduttori utilizzati abbiano una classificazione per 75 gradi centigradi o superiore.
5. Se nel ROC800 si installa un modulo IEC 62591 o una CPU FOUNDATION Fieldbus, non utilizzare il connettore USB in un'area pericolosa.

Dichiarazione di conformità

Di seguito è riportata la dichiarazione rilasciata da Remote Automation Solutions relativa alla conformità dei prodotti serie ROC800 ai requisiti essenziali ed alle altre disposizioni pertinenti della Direttiva Europea 2004/108/CE (EMC) e 94/9/CE (ATEX).

ATTENZIONE

In caso di installazione delle unità in un'area pericolosa, assicurarsi che tutti i componenti di installazione selezionati riportino l'etichetta per l'uso in tali aree. L'installazione e la manutenzione devono essere eseguite solo se si è certi della non pericolosità dell'area. L'installazione o la manutenzione in aree pericolose può causare lesioni personali o danni alle proprietà.

Spegner sempre l'alimentazione del ROC800 prima di qualsiasi tipo di cablaggio. Il cablaggio di un apparecchio alimentato può causare lesioni personali o danni alle proprietà.

Per evitare danni al circuito quando si lavora sull'unità, adottare le precauzioni necessarie contro le scariche elettrostatiche, indossare ad esempio un bracciale con messa a terra.

ATTENZIONE

Prima di collegare l'alimentazione al ROC800, controllare la polarità dell'alimentazione di ingresso.

Sono necessari i seguenti strumenti per l'installazione, la manutenzione e la risoluzione dei problemi:

- Personal computer con sistema operativo Microsoft® Windows® 2000 (Service Pack 2), Windows XP, Windows Vista o Windows 7.
- Software di configurazione ROCLINK™ 800.
- Cacciavite Phillips (punta a croce).
- Cacciavite a testa piatta.

Interfaccia integrale FOUNDATION™ Fieldbus

È possibile installare un'interfaccia Foundation Fieldbus in una custodia ROC827 serie 2. Per ulteriori informazioni, consultare *Cablaggio di un'interfaccia FFI in ROC827* nel presente documento.

Specifiche

ALIMENTAZIONE

Modulo di alimentazione di ingresso a 12 V c.c.:

Campo di funzionamento: da 11,25 a 16 V c.c.

Corrente di ingresso: 5 A massimo

Modulo alimentazione di ingresso a 24 V c.c.:

Campo di funzionamento: da 20 a 30 V c.c.

Corrente di ingresso: 2 A massimo

Modulo alimentazione di ingresso a 30 V c.c.:

Campo di funzionamento: da 11 a 30 V c.c.

Corrente di ingresso: 7 A massimo

MATERIALI

Custodia: plastica ABS (acrilonitrile butadiene stirene).

Coperture cavi: polipropilene.

Moduli: poliestere termoplastico, resistente ai solventi.

SPECIFICHE AMBIENTALI

Temperatura di esercizio: da -40 a +75 °C.

Temperatura di stoccaggio: da -40 a +85 °C.

Umidità relativa: IEC68-2-3; 5-95% senza condensa.

PESO

1,65 kg per custodia, backplane e CPU.

Moduli di I/O: variabile tra 49 e 60 g.

Modulo modem: 113,4 g

Modulo EIA-232 (RS-232): 47,6 g

Modulo EIA-422/485 (RS-422/485): 49,9 g

Modulo MVS: 61,2 g

Modulo di alimentazione di ingresso a 12 V c.c.: 97,5 g

Modulo di alimentazione di ingresso a 24 V c.c.: 120 g

Modulo di alimentazione di ingresso a 30 V c.c.: 91 g

CERTIFICAZIONI

Valutato secondo le seguenti norme europee (EMC):

EN55011 (emissioni).

EN61000-4-2 (immunità da scariche elettrostatiche).

EN61000-4-3 (immunità da campi elettromagnetici).

EN61000-4-4 (immunità ai transitori elettrici rapidi).

EN61000-4-5 (immunità da sovratensioni).

EN61000-4-6 (immunità ai disturbi condotti).

Valutato secondo le seguenti norme europee (ATEX):

EN60079-0:2012.

EN60079-15:2010.

Certificato da Sira come Modello W40135.

Valutato in base alle seguenti norme (IEC):

IEC 60079-0:2011 (6a edizione)

IEC 60079-15:2010, 4a edizione

Marcature del prodotto per le aree pericolose:

Ex nA IICT4 Gc(-40 °C ≤ T_{amb} ≤ +75 °C),



Cert. N. Sira 05ATEX4046X

1. ROC800 viene fornito in scatola. Estrarlo dalla scatola.
2. Trovare una posizione adatta per il ROC800. Installare sempre il ROC800 in una custodia fornita dall'utente, poiché richiede protezione dall'esposizione diretta a pioggia, neve, ghiaccio, detriti e polveri volatili e atmosfere corrosive. Se il ROC800 viene installato fuori da un edificio, deve essere inserito in una custodia con grado di protezione IP54 (o superiore).

Nota: se si inserisce il ROC800 in una custodia, utilizzare la prolunga fornita per posizionare l'antenna fuori dalla custodia. Sigillare tutti i fori praticati nella custodia a tale scopo, per garantire il mantenimento della classificazione IP54 necessaria.

Quando si sceglie una custodia, accertarsi di controllare le minime distanze di rispetto. Lasciare uno spazio adeguato per il cablaggio e la manutenzione. Fare riferimento alla *Figura 2* e alla *Figura 3*.

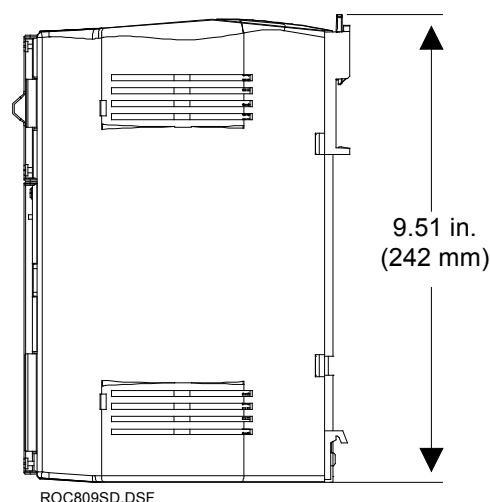


Figura 2. Vista laterale del ROC809

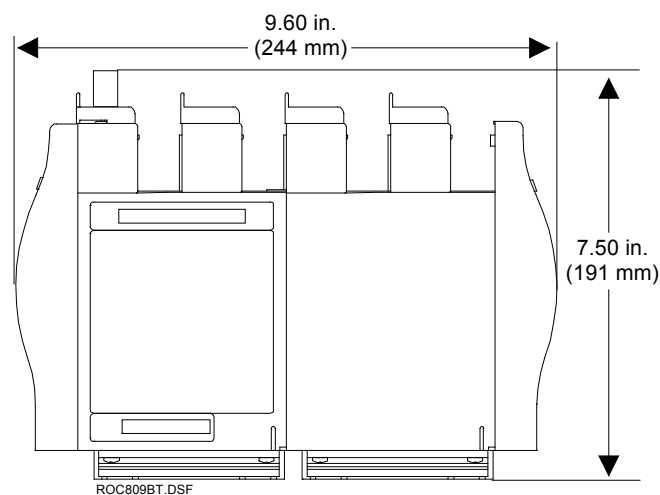
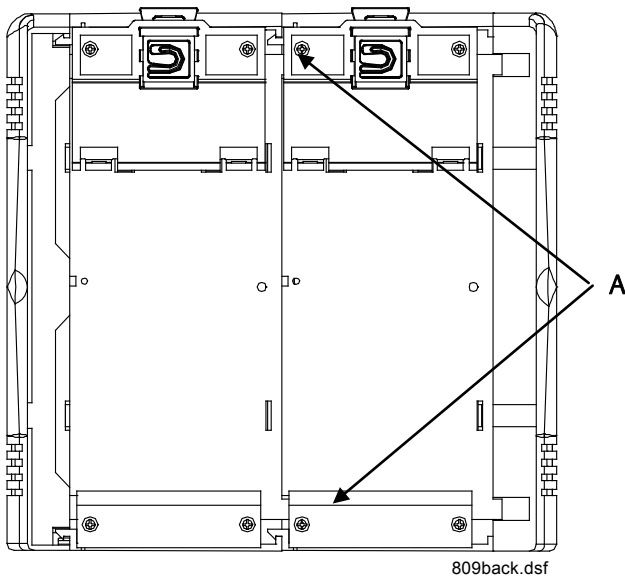


Figura 3. Vista inferiore del ROC809

3. La custodia del ROC800 viene montata su due guide DIN da 35 x 7,5 mm. Fare riferimento alla *Figura 4*.

- Montare le guide DIN superiori sul ROC800.

- Montare le guide DIN inferiori sul backplane.
- Appoggiare il ROC800 sulla guida inferiore montata sul backplane, verificando che il bordo inferiore del ROC800 sia a filo con il pannello.
- Ruotare la parte superiore del ROC800 fino a quando è a filo con il pannello.
- Serrare la striscia superiore della guida DIN al pannello.



A Montaggio su guida DIN

Figura 4. Parte posteriore del ROC800

4. Se la vostra azienda non è in possesso di requisiti di messa a terra specifici, installare l'unità ROC800 come sistema "flottante" (non collegato a terra). Diversamente, seguire le pratiche di messa a terra specifiche della vostra azienda. Tuttavia, se si effettua un collegamento tra un dispositivo messo a terra e una porta ROC800 EIA-232 (RS-232), mettere a terra l'alimentazione del ROC800.

Se è necessario mettere a terra l'apparecchio, osservare le seguenti linee guida:

- Se l'apparecchio utilizza una fonte di tensione c.c., il sistema di messa a terra deve terminare sul sezionatore di servizio. Tutti i conduttori di messa a terra dell'apparecchio, compresi fili o conduit contenenti i conduttori di alimentazione, devono fornire un percorso elettrico ininterrotto verso il sezionatore di servizio.
- Una messa a terra impropria o pratiche di messa a terra inefficienti possono causare problemi, quali l'introduzione di circuiti di messa a terra nel sistema. Il corretto collegamento a terra dell'unità ROC aiuta a ridurre gli effetti del rumore elettrico sul funzionamento dell'unità ROC e a proteggerla dai fulmini. Installare un dispositivo di protezione da sovratensioni al sezionatore di servizio sui sistemi con tensione c.c. al fine di proteggere l'apparecchiatura installata da fulmini e sbalzi di corrente. È possibile anche considerare l'installazione di un dispositivo di protezione da sovratensioni della linea telefonica per il modulo di comunicazione modem.
- Una conduttura con protezione catodica non rappresenta una buona messa a terra. Non collegare il comune alla parte catodica della conduttura.
- Il metodo di installazione della messa a terra per il ROC800 dipende dal fatto che la conduttura disponga di una protezione catodica. Sulle condutture con protezione catodica, il ROC deve essere isolato elettricamente dalla conduttura. Tutti i collegamenti di messa a terra devono essere dotati di un'impedenza della massa o della griglia di 25 ohm o meno, misurato con un apposito tester.

5. Collegare il ROC800 mediante le morsettiere sulla parte anteriore di ciascun modulo. Le morsettiere accettano fili di dimensioni 12 AWG o inferiori.

Per collegare il filo alle morsettiere a vite rimovibili:

- Spellare l'estremità del filo (massimo 6,3 mm).
- Inserire l'estremità spellata nel morsetto sotto il morsetto a vite.
- Serrare la vite.

Il ROC800 deve avere una minima parte di filo spellato esposto per evitare cortocircuiti. Lasciare un po' di gioco quando si effettuano i collegamenti, per evitare sollecitazioni eccessive.

- a. Collegare il cablaggio di alimentazione. In primo luogo determinare i requisiti di alimentazione ed esaminare la descrizione del cablaggio di alimentazione nel *Capitolo 3 del manuale di istruzioni del controllore remoto serie ROC800* (parte D301217X012).

Verificare che la polarità dell'allacciamento sia corretta.

Per effettuare i collegamenti dell'alimentazione c.c.:

- Se opportuno, effettuare la procedura di configurazione del backup e di registrazione dei dati.
- Se si desidera, installare un dispositivo di protezione da sovratensione al sezionatore di servizio.
- Scollegare tutte le altre fonti di alimentazione dal ROC800.
- Installare un fusibile sull'ingresso dell'alimentazione.
- Rimuovere il connettore della morsettieria dalla presa.
- Inserire le estremità spellate dei fili:
 - dall'alimentazione a 12 V c.c. al morsetto sotto il morsetto a vite BAT+/BAT- corrispondente (vedere la *Figure 5*) **OPPURE**
 - dall'alimentazione a 24 V c.c. nel morsetto sotto il morsetto a vite +/- corrispondente. Il terminale + deve inoltre essere dotato di un fusibile (vedere la *Figure 5*) **OPPURE**
 - dall'alimentazione a 11-30 V c.c. nel morsetto sotto il morsetto a vite +/- corrispondenti (vedere la *Figure 5*)

Per le connessioni di alimentazione, fare riferimento alle Tabelle 1, 2 e 3.

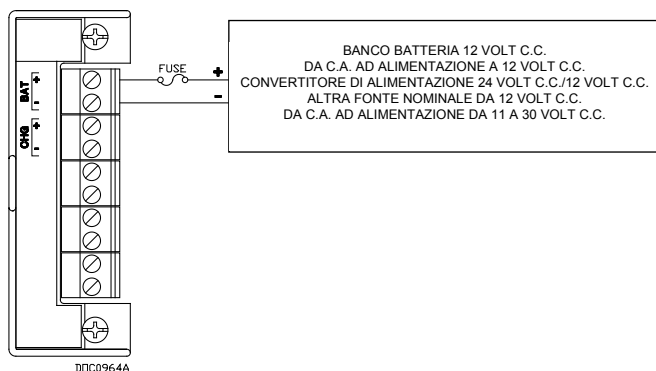


Figura 5. Cablaggio alimentazione a 12 V c.c. e BAT+/BAT-

- Avvitare ciascun filo nella morsettieria. Inserire nuovamente il connettore della morsettieria nella presa.
- Se si monitora una tensione di carica esterna (solo modulo di alimentazione di ingresso a 12 V c.c.), cablare il connettore della morsettieria CHG+ e CHG-. Fare riferimento alla Figura 6.

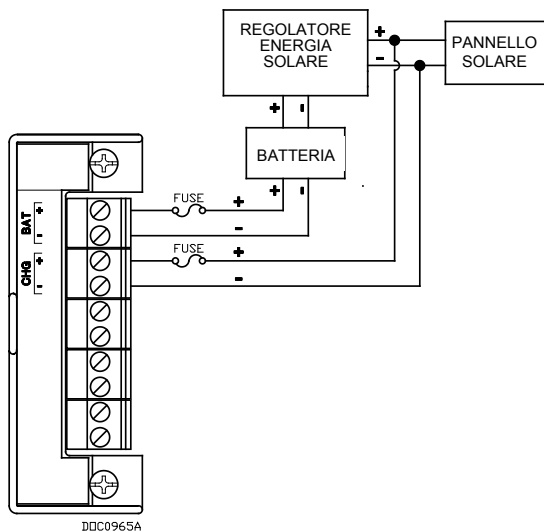


Figura 6. Cablaggio alimentazione a 12 V c.c. e CHG+/CHG-

- Sostituire tutte le altre fonti di alimentazione (se necessario) sul ROC800.

b. Collegare il cablaggio alle morsettiere sui moduli di I/O e di comunicazioni. Per schemi di cablaggio e spiegazioni fare riferimento ai Capitoli 3 e 4 del manuale di istruzioni del controllore remoto serie ROC800 (Part D301217X012).

6. Al termine del cablaggio delle morsettiere, spingere i coperchi delle coperture dei cavi in posizione sopra i canali di cablaggio. Fare riferimento alla Figura 8.

7. Per l'avvio del ROC800, alimentare il dispositivo. L'indicatore a LED (contrassegnato con V_{OK} sui moduli di alimentazione di ingresso PM-12 o PM-30 o V_{12} sul modulo di alimentazione di ingresso PM-24) si accende una spia verde ad indicare che la tensione applicata è corretta. Quindi l'indicatore di STATO sulla CPU si accende ad indicare il funzionamento corretto. Secondo l'impostazione della modalità di risparmio energetico (disponibile solo sul modulo di alimentazione di ingresso PM-12), l'indicatore di STATO può restare spento durante il funzionamento. Fare riferimento alla Figura 8.

8. Nel caso in cui l'avviamento è avvenuto in maniera corretta, carà possibile, configurare il ROC800 in per soddisfare i requisiti dell'applicazione. Dopo avere configurato il ROC800 e tarato I/O e MVS, sarà possibile mettere in funzione il ROC800. Fare riferimento al manuale d'utente del software di configurazione ROCLINK 800 (per la serie ROC800) (Parte D301250X012). Quando il ROC800 è in funzione, effettua calcoli di portata. Durante il normale utilizzo e funzionamento, non sono necessari aggiustamenti da parte dell'utente sul dispositivo.

9. Per effettuare la manutenzione del ROC800, ispezionare periodicamente i cablaggi per rilevare eventuali segni di deterioramento. Il ROC800 può anche calibrazione I/O.

10. Se si verificano problemi apparentemente collegati al software, provare a ripristinare il ROC800 con un avvio a caldo, un avvio a freddo o seguire la procedura indicata nella Nota di seguito.

Nota: con il ripristino si perdono tutti i dati di configurazione e di registrazione. Prima di eseguire qualsiasi tipo di ripristino, effettuare un backup dei dati di configurazione e di registrazione.

Il pulsante RESET nella parte anteriore del modulo CPU ripristina l'unità sulle impostazioni predefinite in fabbrica (fare riferimento alla Figura 8). Per utilizzare il pulsante RESET, scollegare l'alimentazione dall'unità e tenere premuto il pulsante per 15 secondi con una penna o una puntina durante l'accensione. Per gli avviamenti a caldo e a freddo, fare riferimento al manuale utente del software di configurazione ROCLINK 800 (per la serie ROC800) (Part D301250X012).

Se si verificano problemi che sembrano correlati all'hardware, verificare il cablaggio. Se il problema persiste, contattare l'ufficio vendite locale per ricevere l'autorizzazione alla restituzione.

11. Per smontare il ROC800, in primo luogo effettuare un backup di tutti i dati di configurazione e di registrazione dell'unità. Quindi scollegare l'alimentazione dall'unità e tutti i cablaggi esterni dai moduli.

12. Rimuovere la custodia del ROC800 dalle guide DIN sganciando i due fermi delle guide DIN sulla parte posteriore della custodia.

13. Collocare il ROC800 in una scatola per la spedizione o l'immagazzinaggio.

Cablaggio di un'interfaccia Foundation Fieldbus (FFI) sul ROC827

Se è necessario includere un'interfaccia FOUNDATION Fieldbus (FFI) come parte integrante di un ROC827 serie 2 (mostrato nella Figura 9), cablare l'interfaccia FFI sul ROC800 come mostrato nella Figura 7.

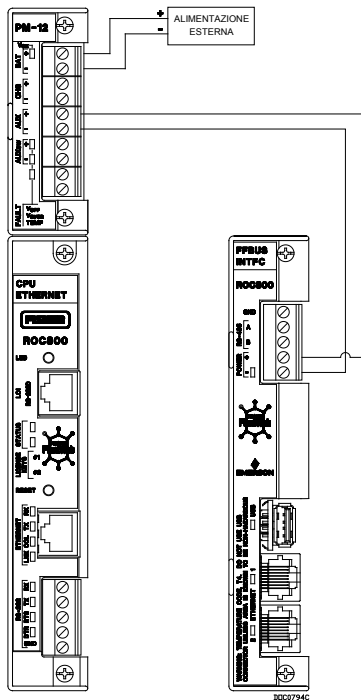


Figura 7. Cablaggio ROC827 e interfaccia FFI
(interfaccia FFI inclusa nella custodia del ROC827)

Nota: questo è il metodo di cablaggio preferito, in quanto garantisce che lo spegnimento dell'alimentazione della CPU del ROC800 rimuove anche l'alimentazione dall'interfaccia FF.

Per ulteriori informazioni sull'utilizzo dell'interfaccia FF, fare riferimento al manuale di istruzioni dell'interfaccia FOUNDATION Fieldbus (Part D301461X012). Per ulteriori informazioni sulla configurazione dell'interfaccia FFI, fare riferimento al *manuale utente del configuratore di interfaccia di campo* (part D301575X012). Per ulteriori informazioni sull'uso sicuro dell'interfaccia FFI, fare riferimento a *Istruzioni per l'uso sicuro – Interfaccia FOUNDATION Fieldbus* (Part D3011666X012).

Tabella 1. Collegamenti di ingresso a 12 V c.c. della morsettiere di alimentazione.

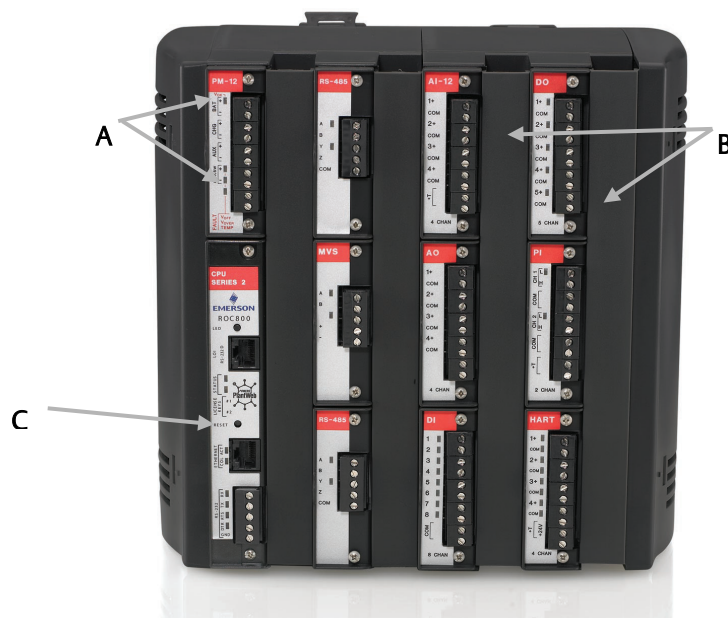
Morsettiere	Descrizione	Volt c.c.
BAT+ e BAT-	Accetta 12 volt c.c. nominali da un convertitore c.a./c.c. o altra alimentazione da 12 volt c.c.	Da 11,25 a 16 volt c.c.
CHG+ e CHG-	Ingresso analogico utilizzato per monitorare una fonte di carica esterna.	Da 0 a 18 volt c.c.
AUX+ e AUX-	Fornisce tensione di alimentazione protetta da polarità inversa a dispositivi esterni.	BAT+ meno 0,7 volt c.c.
AUX _{SW} + e AUX _{SW} -	Fornisce alimentazione commutabile per dispositivi esterni.	BAT+ meno 0,7 volt c.c.

Tabella 2. Collegamenti di ingresso a 24 V c.c. della morsettiere di alimentazione.

Morsettiere	Descrizione	Volt c.c.
+ e -	Accetta 24 volt c.c. nominali da un convertitore c.a./c.c. o altra alimentazione da 24 volt c.c.	Da 20 a 30 volt c.c.
AUX+ e AUX-	Fornisce tensione di alimentazione protetta da polarità inversa a dispositivi esterni.	11,3 volt c.c.

Tabella 3. Collegamenti di ingresso a 30 V c.c. della morsettiera di alimentazione.

Morsettiera	Descrizione	Volt c.c.
+ e -	Accetta 30 volt c.c. nominali da un convertitore c.a./c.c. o altra alimentazione da 30 volt c.c.	Da 11 a 30 volt c.c.
AUX+ e AUX-	Fornisce tensione di alimentazione protetta da polarità inversa (la tensione di uscita segue l'ingresso) a dispositivi esterni.	BAT+ meno 0,7 volt c.c.
AUX _{SW} + e AUX _{SW} -	Fornisce alimentazione commutata per dispositivi esterni.	BAT+ meno 0,7 volt c.c.



- A Indicatori a LED sul modulo di alimentazione di ingresso
- B Coperture cavi
- C Pulsante RESET (ripristino)

Figura 8. Controllore remoto ROC809

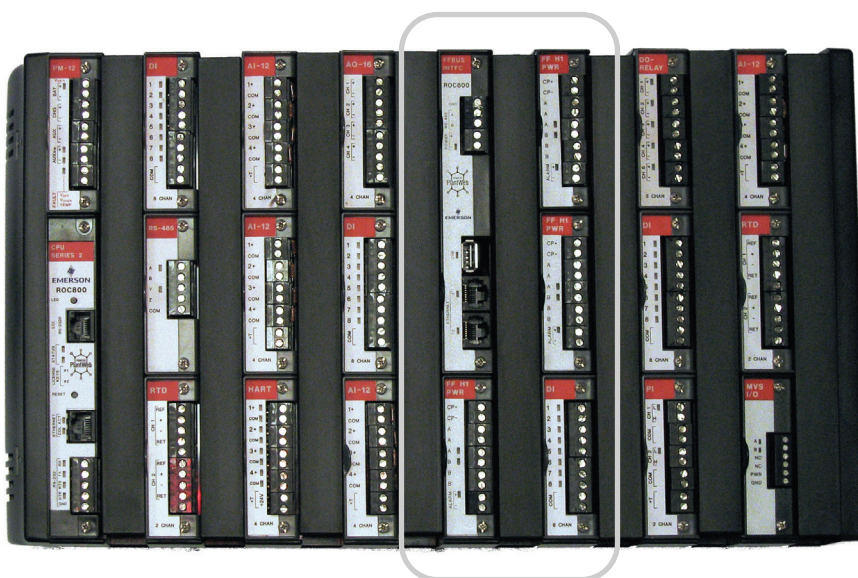


Figura 9. ROC827 con interfaccia Foundation Fieldbus installata

Per il servizio clienti e il supporto tecnico,
visitare
www.emersonprocess.com/remote/support

Sede principale:

Emerson Process Management

Remote Automation Solutions
6005 Rogerdale Road
Houston, TX 77072 U.S.A.
Tel. +1 281 879 2699 | Fax +1 281 988 4445
www.EmersonProcess.com/Remote

Europa:

Emerson Process Management

Remote Automation Solutions
Unit 8, Waterfront Business Park
Dudley Road, Brierley Hill
Dudley UK DY5 1LX
Tel. +44 1384 487200 | Fax +44 1384 487258
www.EmersonProcess.com/Remote

Nord America/America Latina:

Emerson Process Management

Remote Automation Solutions
6005 Rogerdale Road
Houston TX USA 77072
Tel. +1 281 879 2699 | Fax +1 281 988 4445
www.EmersonProcess.com/Remote

Medio Oriente/Africa:

Emerson Process Management

Remote Automation Solutions
Emerson FZE
P.O. Box 17033
Jebel Ali Free Zone – South 2
Dubai U.A.E.
Tel. +971 4 8118100 | Fax +971 4 8865465
www.EmersonProcess.com/Remote

Asia-Pacifico:

Emerson Process Management

Remote Automation Solutions
1 Pandan Crescent
Singapore 128461
Tel. +65 6777 8211 | Fax +65 6777 0947
www.EmersonProcess.com/Remote

© 2005-2016 Remote Automation Solutions, una business unit di Emerson Process Management. Tutti i diritti riservati.




Remote Automation Solutions, una business unit di Emerson Process Management, non è responsabile per gli errori tecnici o editoriali presenti in questo manuale o per le eventuali omissioni. REMOTE AUTOMATION SOLUTIONS NON OFFRE ALCUNA GARANZIA, ESPRESSA O IMPLICITA, INCLUSE LE GARANZIE IMPLICITE DI COMMERCIALIZZABILITÀ E IDONEITÀ PER UNO SCOPO PARTICOLARE RISPETTO A QUESTO MANUALE E, IN NESSUN CASO, REMOTE AUTOMATION SOLUTIONS POTRÀ ESSERE RITENUTA RESPONSABILE PER I DANNI INCIDENTALI, PUNITIVI, SPECIALI O CONSEGUENZIALI COMPRESI, IN VIA PURAMENTE ESEMPLIFICATIVA, LA PERDITA DI PRODUZIONE, PERDITA DI PROFITTI, PERDITA DI RICAVI O USO E I RELATIVI COSTI SOSTENUTI INCLUSI, SENZA LIMITAZIONE, CAPITALE, CARBURANTE ED ENERGIA E I RECLAMI DI TERZI.

Emerson Process Management Ltd, Remote Automation Solutions (UK), è una società controllata interamente di proprietà di Emerson Electric Co. che opera come Remote Automation Solutions, una business unit di Emerson Process Management. FloBoss, ROCLINK, ControlWave, Helicoid e OpenEnterprise sono marchi registrati di Remote Automation Solutions. AMS, PlantWeb e il logo PlantWeb sono marchi di proprietà di una delle società nella business unit Emerson Process Management di Emerson Electric Co. Emerson Process Management, Emerson e il logo Emerson sono marchi di fabbrica o di servizio di Emerson Electric Co. Tutti gli altri marchi appartengono ai rispettivi

Il contenuto della presente pubblicazione è fornito a solo scopo informativo. Sebbene ogni sforzo sia stato fatto per garantire la correttezza delle informazioni, queste non vanno interpretate come garanzie, esplicite o implicite, da riferirsi ai prodotti o ai servizi ivi descritti, né al loro impiego o alla loro applicabilità. Remote Automation Solutions si riserva il diritto di modificare o migliorare il design o le specifiche di tali prodotti in qualsiasi momento senza preavviso. Tutte le vendite sono soggette ai termini e condizioni di Remote Automation Solutions, disponibili su richiesta. Remote Automation Solutions non si assume la responsabilità per la selezione, l'uso o la manutenzione dei propri prodotti. La responsabilità per la selezione, l'uso e la manutenzione corretti dei prodotti di Remote Automation Solutions è esclusivamente dell'acquirente e dell'utente finale.



ROC800-serie Remote Operations Controller

MODEL W40135 FLOW COMPUTER		
POWER MODULE INPUT VOLTAGE AND RATED MAXIMUM POWER		
PM-12	BAT: 11.25 TO 16 VDC, CHG: 0 TO 18 VDC	46 WATTS
PM-24	POWER INPUT: 20 TO 30 VDC	46 WATTS
PM-30	POWER INPUT: 11 TO 30 VDC	76 WATTS
OPERATING AMBIENT TEMP: -40 TO +75°C		
Sirco 05ATEX4046X		
IECEX CSA 15.0053X		
Ex nA IIC T4 Gc, -40°C ≤ Tamb ≤ +75°C		
MUST BE INSTALLED IN IP54 OR BETTER ENCLOSURE OR EQUIVALENT LOCATION. INSTALL ASSEMBLY PER SAFE-USE INSTRUCTIONS PROVIDED.		
BATTERY REPLACEMENT TYPE: REFER TO SERVICE MANUAL		
FUSE REPLACEMENT: 2.5 AMP FAST-ACTING TYPE		
FOUNDATION FIELDBUS INTERFACE RATINGS (WHEN INSTALLED & EXTERNALLY POWERED PER INSTRUCTIONS)		
POWER INPUT: 10 TO 30 VDC		
POWER: 42 WATTS MAX (INTERFACE & DOWNSTREAM MODULES)		
FUSE REPLACEMENT: 6.3 AMP SLO-BLO TYPE		
WARNING: EXPLOSION HAZARD – DO NOT CONNECT/DISCONNECT WHILE CIRCUIT IS LIVE UNLESS AREA IS KNOWN TO BE NON-HAZARDOUS.		
		
BRISTOL, INC. dba REMOTE AUTOMATION SOLUTIONS WATERTOWN, CT, USA		

DOC0986A

Afbeelding 1. Label ROC800-serie

Gebruik dit document met instructies voor veilig gebruik samen met de *Handleiding van de ROC800-Series Remote Operations Controller* (onderdeel D301217X012). Alle aandachtspunten en omschrijvingen met betrekking tot de installatie en het verhelpen van storingen vindt u in deze handleiding. Neem contact op met uw plaatselijke verkoopkantoor als u training nodig hebt voor dit product.

De ROC800-serie Remote Operations Controller (of "ROC800") met ATEX-goedkeuring kan worden besteld met een van de optionele communicatie- of I/O-modules die vermeld staan in de technische specificaties *ROC800-serie Remote Operations Controllers* (ROC800).

Het certificaat voor deze apparatuur omvat de volgende speciale omstandigheden voor veilig gebruik (X):

1. Wanneer de optionele afstandsbediende MVS-sensor met deze apparatuur wordt gebruikt, moet u erop letten dat deze sensor een membraan met dunne wand bevat. Bij installatie, onderhoud en gebruik moet rekening worden gehouden met de omgevingsomstandigheden waaraan het membraan onderworpen zal worden. Bij het installeren en onderhouden van het apparaat moet u de instructies van de fabrikant nauwgezet volgen om de veiligheid gedurende de verwachte levensduur te waarborgen.
2. Installeer de apparatuur in een behuizing met IP54-classificatie of beter, of een gelijkwaardige locatie. De behuizing moet voldoende gecertificeerd zijn of op andere wijze zijn goedgekeurd voor de gebruikszone (zone 2).
3. Zorg dat de nominale ingangsspanning gedurende gebruik niet wordt overschreden.
4. Zorg dat de gebruikte kabelgeleiders geschikt zijn voor 75 graden C of hoger.

Remote Automation Solutions

Website: www.EmersonProcess.com/Remote

5. Indien u een IEC 62591-module of een FOUNDATION Fieldbus CPU in de ROC800 installeert, gebruik de USB-connector dan niet in een bekend gevaarlijk gebied.

Verklaring van overeenstemming

Remote Automation Solutions verklaart hierbij dat de ROC800-serie producten voldoen aan de essentiële vereisten en overige van toepassing zijnde relevante bepalingen van de Europese richtlijnen 2004/108/EG (EMC) en 94/9/EG (ATEX).



LET OP

Zorg als het apparaat in een gevaarlijke omgeving wordt geïnstalleerd dat alle voor de installatie gebruikte componenten geschikt zijn voor gebruik in een dergelijke omgeving. Installatie en onderhoud mogen alleen plaatsvinden als de omgeving daarvoor geen gevaar oplevert. Installatie of onderhoud in een gevaarlijke omgeving kan leiden tot persoonlijk letsel of materiële schade.

Schakel altijd eerst de stroom van de ROC800 uit voor u werkzaamheden aan de bekabeling uitvoert. Het bekabelen van ingeschakelde apparatuur kan tot lichamelijk letsel of schade aan het apparaat leiden.

Neem bij werkzaamheden binnen in het apparaat afdoende maatregelen om schade aan de schakelingen door elektrostatische ontladingen te voorkomen, zoals het dragen van een geaarde polsband.



LET OP

Controleer de polariteit van de ingangsstroom voordat u stroom naar de ROC800 inschakelt.

Voor het installeren, uitvoeren van onderhoud en verhelpen van storingen aan het apparaat zijn de volgende gereedschappen vereist:

- Personal computer met Microsoft®, Windows® 2000 (met Service Pack 2), Windows XP, Windows Vista of Windows 7.
- ROCLINK™ 800-configuratiesoftware.
- Kruiskopschroevendraaier.
- Bladschroevendraaier.

Integrale FOUNDATION™ Fieldbus Interface

In een Series 2 ROC827-behuizing kunt u een Foundation Fieldbus Interface installeren. Zie voor meer informatie *Bedrading van een FFI in de ROC827* in dit document.



EMERSON
Process Management

Specificaties

VOEDING

12 V dc stroomingangsmodule:

Bedrijfsbereik: 11,25 tot 16 V dc.

Ingangsstroom: 5 A maximum

24 V dc stroomingangsmodule:

Bedrijfsbereik: 20 tot 30 V dc.

Ingangsstroom: 2 A maximum

30 V dc stroomingangsmodule:

Bedrijfsbereik: 11 tot 30 V dc.

Ingangsstroom: 7 A maximum

MATERIALEN

Koffer: Acrylonitril-butadien-styreen (ABS).

Draadkanaalafdekkingen: Polypropyleen.

Modules: Thermoplastisch polyëster, oplosmiddelbestendig.

OMGEVING

Bedrijfstemperatuur: -40 tot +75 °C.

Opslagtemperatuur: -40 tot +85 °C.

Relatieve vochtigheid: IEC68-2-3; 5-95% niet-condenserend.

GEWICHT

1,65 kg voor behuizing, achterbord en CPU.

I/O-modules: Variërend van 49–60 g.

Modemmodule: 113,4 g

EIA-232 (RS-232)-module: 47,6 g

EIA-422/485 (RS-422/485)-module: 49,9 g

MVS-module: 61,2 g

12 V dc stroomingangsmodule: 97,5 g

24 V dc stroomingangsmodule: 120 g

30 V dc stroomingangsmodule: 91 g

GOEDKEURINGEN

Geëvalueerd in overeenstemming met de volgende

Europese standaarden (EMC):

EN55011 (emissies).

EN61000-4-2 (immunititeit voor elektrostatische ontlading).

EN61000-4-3 (immunititeit voor elektromagnetisch veld).

EN61000-4-4 (immunititeit voor elektrische snelle transiënten).

EN61000-4-5 (immunititeit voor stootspanning).

EN61000-4-6 (geleide immunititeit).

Geëvalueerd in overeenstemming met de volgende

Europese standaarden (ATEX):

EN60079-0:2012.

EN60079-15:2010.

Gecertificeerd door Sira als model W40135.

Beoordeeld volgens de volgende normen (IEC):

IEC 60079-0:2011 (6e editie)

IEC 60079-15:2010, 4e editie

Productmarkeringen voor gevaarlijke locaties:

Ex nA IICT4 Gc(-40 °C ≤ T_{amb} ≤ +75 °C),

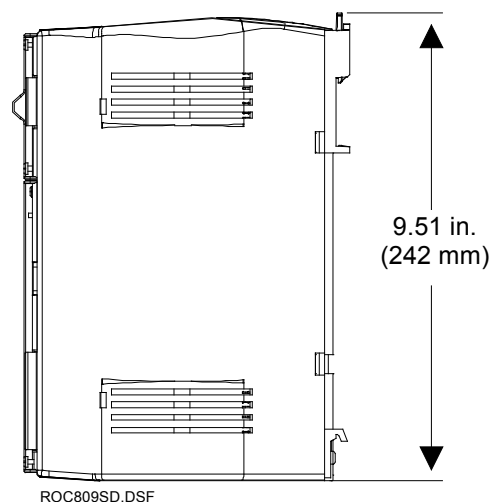


Certificatienr. Sira 05ATEX4046X

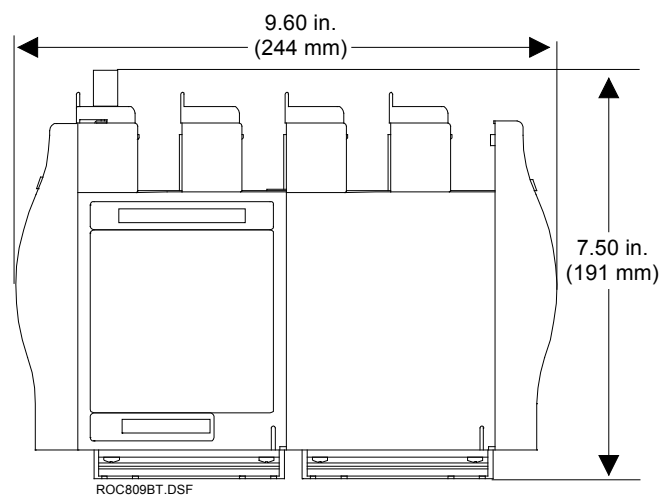
1. De ROC800 wordt geleverd in een doos. Haal het apparaat uit de doos.
2. Bepaal een geschikte plaats voor de ROC800. Installeer de ROC800 altijd in een behuizing die door de gebruiker wordt geleverd, aangezien de ROC800 bescherming vereist tegen regen, sneeuw, ijs, dwarrelend stof of vuil en bijtende atmosferen. Als de ROC800 buiten wordt geïnstalleerd, moet deze in een behuizing die is gecertificeerd volgens IP54 (of beter) geplaatst worden.

NB Als u de ROC800 binnen een behuizing plaatst, gebruikt u de meegeleverde verlengkabel om de antenne buiten de behuizing te plaatsen. Dicht alle gaten af die u voor dit doeleinde in de behuizing maakt, om de vereiste IP54-certificering te behouden.

Controleer bij de keuze van een behuizing alle vrije ruimten. Zorg voor voldoende ruimte voor de bekabeling en het uitvoeren van onderhoud. Zie *afbeelding 2* en *afbeelding 3*.



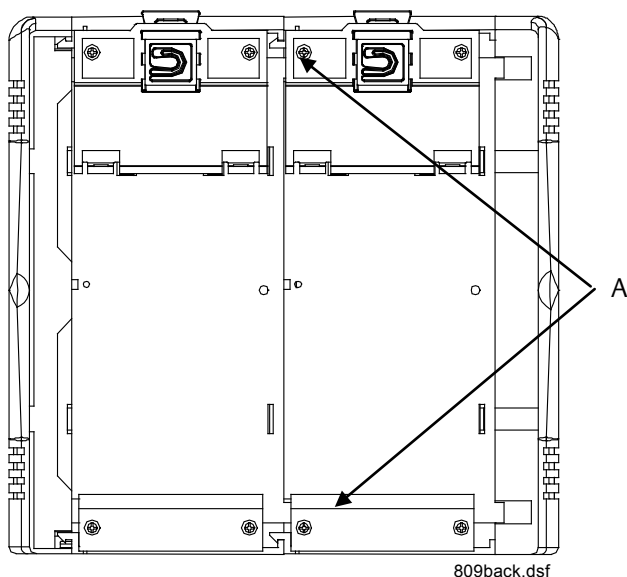
Afbeelding 2. Zijaanzicht van de ROC809



Afbeelding 3. Onderaanzicht van de ROC809

3. De ROC800-behuizing is te monteren op twee 35 x 7,5 mm DIN-rails. Zie *afbeelding 4*.

- Monteer de bovenste DIN-rails op de ROC800.
- Monteer de onderste DIN-rails op het achterbord.
- Plaats de ROC800 op de onderste rail die op het achterbord is gemonteerd, waarbij u ervoor zorgt dat de onderrand van de ROC800 vlak is met het paneel.
- Draai de bovenzijde van de ROC800 totdat deze vlak tegen het paneel aan ligt.
- Bevestig de bovenstrop van de DIN-rail aan het paneel.



A DIN-railmontage

Afbeelding 4. Achterzijde van de ROC809

4. Als uw bedrijf geen specifieke aardingsvereisten heeft, installeert u de ROC800 als een "los" (niet aan aarde verbonden) systeem. Anders volgt u de specifieke aardingsprocedures van uw bedrijf. Als u echter een verbinding maakt tussen een geaard apparaat en een ROC800 EIA-232 (RS-232)-poort, moet de ROC800-voeding geaard worden.

Als u de apparatuur moet aarden, let dan op de volgende richtlijnen:

- Wanneer de apparatuur een gelijkspanningsbron gebruikt, moet het aardsysteem eindigen bij de serviceafsluiter. Alle apparatuur-aardingsgeleiders, inclusief de draad of doorvoer met de voedingsgeleiders, moeten een niet-onderbroken elektrisch pad bieden naar de serviceafsluiter.
- Onjuiste aarding of slechte aardingspraktijken kunnen vaak problemen veroorzaken, zoals het introduceren van aardlussen in het systeem. Door een correcte aarding van het ROC-apparaat wordt het effect van elektrische ruis gereduceerd en wordt het ROC-apparaat beschermd tegen blikseminslag. Installeer een overspanningsbeveiliging op de serviceafsluiter op systemen met gelijkspanningsvoeding om de geïnstalleerde apparatuur te beschermen tegen blikseminslag en spanningschommelingen. U kunt ook overwegen een telefoonoverspanningsbeveiliging te installeren voor de optionele inbelmodem-communicatiemodule.

- Een pijpleiding met kathodebescherming is geen goede aarde. Niet verbinden met het kathodedeel van de pijpleiding.
- De aardingsinstallatiemethode voor de ROC800 is afhankelijk van of de pijpleiding kathodebescherming heeft. Op pijpleidingen met kathodebescherming moet de ROC elektrisch worden geïsoleerd van de pijpleiding. Alle aardvoorzieningen mogen maximaal een staaf- of roosterimpedantie van 25 ohm hebben, gemeten met een aardingsmeter.

5. Bedraad de ROC800 via de aansluitblokken op de voorzijde van elke module. De aansluitblokken aanvaarden 12 AWG of kleinere bedrading.

Om de draad aan te sluiten op de verwijderbare blokcompressieklemmen:

- Strip het einde (maximaal ¼ inch) van de draad.
- Steek het gestripte einde in de klem onder de aansluitingsschroef.
- Draai de schroef aan.

Op de ROC800 dient zo min mogelijk ongeïsoleerde ader ontbloot te worden om kortsluiting te voorkomen. Laat de draden bij de aansluitingen iets langer om trekbelasting te voorkomen.

a. Sluit de voedingsbedrading aan. Bepaal eerst de stroomvereisten en bekijk de stroombedradingsbeschrijving in hoofdstuk 3 van de *Instructiehandleiding voor de ROC800-serie Remote Operations Controller* (onderdeel D301217X012).

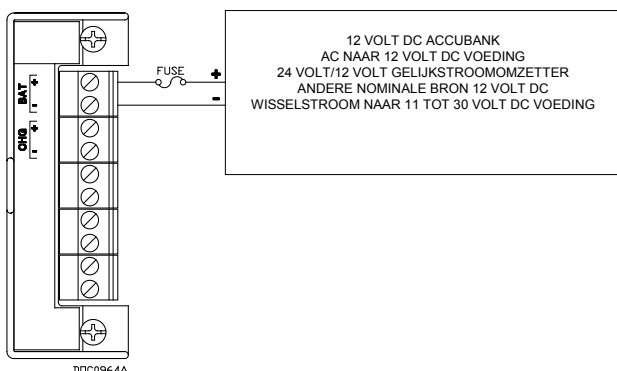
Controleer of de aansluitingspolariteit correct is.

Voor het maken van de gelijkstroomaansluitingen:

- Voer indien nodig de back-upconfiguratie en de loggegevensprocedure uit.
- Installeer optioneel een overspanningsbeveiliging op de serviceafsluiter.
- Verwijder alle andere stroombronnen van de ROC800.
- Installeer een zekering bij de ingangsstroombron.
- Verwijder de aansluitblokconnector van de houder.
- Steek het gestripte draadeinde van:
 - de 12 volt gelijkstroombron in de klem onder de betreffende BAT+/BAT- aansluitschroef (zie *Afbeelding 5*) **OF**
 - de 24 volt gelijkstroombron in de klem onder de betreffende + / - aansluitschroef. De + klem moet ook een zekering hebben (zie *afbeelding 5*) **OF**

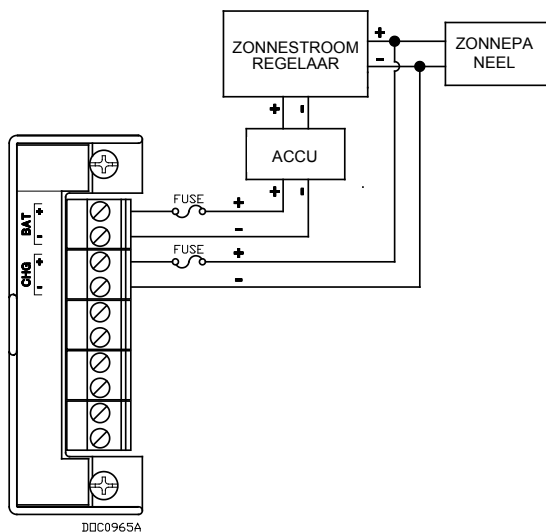
- o de 11-30 volt gelijkstroombron in de klem onder de betreffende +/- aansluitschroeven (zie *afbeelding 5*)

Zie *tabel 1, 2 en 3* voor de stroombedradingsaansluitingen.



Afbeelding 5. 12 V dc stroomtoevoer en BAT+/BAT- bedrading

- Schroef elke draad in het aansluitblok. Steek de aansluitblokconnector weer in de houder.
- Als u een externe ladingsspanning controleert (alleen 12 V dc-stroomingangsmodule), bedraadt u de CHG+ en CHG- aansluitblokconnector. Zie *afbeelding 6*.



Afbeelding 6. 12 V dc stroomtoevoer en CHG+/CHG- bedrading

- Sluit alle andere stroombronnen (indien nodig) voor de ROC800 weer aan.
- b.** Sluit de bedrading aan op de aansluitblokken op de I/O- en communicatiemodules. Zie *hoofdstuk 3 en 4* van de *Instructiehandleiding voor de ROC800-serie Remote Operations Controller* (onderdeel D301217X012) voor bedradingsdiagrammen en verklaringen.
- 6.** Druk de draadkanaalafdekkingen op de draadkanalen wanneer de bedrading van de aansluitblokken is voltooid. Zie *afbeelding 8*.

7. Schakel de stroom naar de ROC800 in om de ROC800 te starten. Het ledje (aangeduid met V_{OK} op de PM-12 of PM-30 stroomingangsmodule of V_{12} op de PM-24 stroomingangsmodule) moet groen gaan branden om aan te geven dat de aangelegde spanning correct is. Daarna moet het STATUS-lampje op de CPU gaan branden om een correcte werking aan te geven. Afhankelijk van de instelling voor de stroombesparingsmodus (alleen beschikbaar op de PM-12 stroomingangsmodule), kan het zijn dat het STATUS-lampje niet blijft branden tijdens gebruik. Zie *afbeelding 8*.

8. Wanneer het opstarten succesvol is, kunt u de ROC800 configureren volgens de vereisten van de toepassing. Nadat u de ROC800 hebt geconfigureerd en de I/O en MVS hebt gekalibreerd, kunt u de ROC800 in gebruik nemen. Zie de *Gebruiksaanwijzing voor de ROCLINK 800-configuratiesoftware (voor ROC800-serie)* (onderdeel D301250X012). Wanneer de ROC800 in gebruik is, voert deze stroomberekeningen uit. Gedurende normale werking en gebruik zijn er op dit apparaat geen gebruikersafstellingen vereist.

9. Om de ROC800 te onderhouden moet de bedrading periodiek worden geïnspecteerd op tekenen van verslechtering. De ROC800 kan ook verificatie van de meter, MVS, en I/O-kalibratie vereisen.

10. Als u problemen ervaart die verband lijken te houden met de software, probeer de ROC800 dan te resetten met een warme start, koude start of reset, of volg de procedure in de onderstaande opmerking.

NB Met een reset gaan alle configuratie- en loggegevens verloren. Maak een back-up van de configuratie- en loggegevens voordat u probeert te resetten.

De knop RESET op de voorzijde van de CPU-module herstelt de fabrieksinstellingen op het apparaat (zie *afbeelding 8*). Om de knop RESET te gebruiken verwijdert u de stroom van het apparaat, en drukt u de knop 15 seconden stevig in met een pen of stylus terwijl u de stroom inschakelt. Zie de *Gebruiksaanwijzing voor ROCLINK 800-configuratiesoftware (voor ROC800-serie)* (onderdeel D301250X012) voor warme en koude starts.

Als u problemen ondervindt die met de hardware te maken lijken te hebben, controleert u de bekabeling. Als u daarna nog steeds problemen ondervindt, vraag dan toestemming aan het plaatselijke verkoopkantoor voor retourzending.

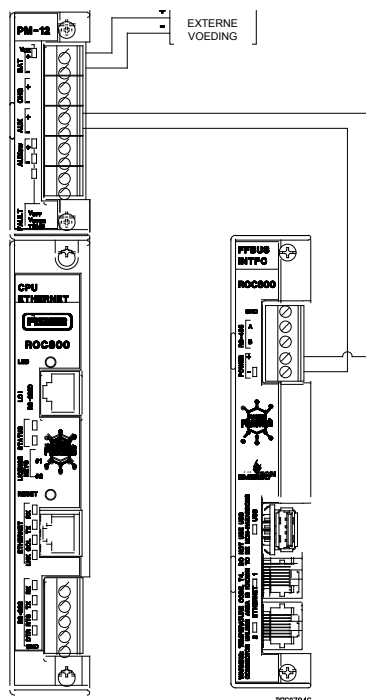
11. Maak bij demontage van de ROC800 eerst een back-up van alle configuratie- en loggegevens van het apparaat. Daarna haalt u de stroom van het apparaat en verwijdert u alle externe bedrading van de modules.

12. Verwijder de behuizing van de ROC800 van de DIN-rails door de twee DIN-railvergrendelingen op de achterzijde van de behuizing los te maken.

13. Plaats de ROC800 in een doos voor verzending of opslag.

Bedraden van een FFI in de ROC827

Als u een FOUNDATION Fieldbus Interface (FFI) wilt opnemen als integraal onderdeel van een Series 2 ROC827 (zie afbeelding 9), bedraadt u de FFI naar de ROC800 zoals afgebeeld (afbeelding 7).



Afbeelding 7. Bedrading van de ROC827 en FFI (FFI opgenomen in ROC827-behuizing)

NB Dit is de bedradingsmethode met de voorkeur, aangezien dit ervoor zorgt dat het verwijderen van de stroom naar de CPU van de ROC800 ook de stroom van de FFI verwijdert.

Zie voor meer informatie over het gebruik van de FFI de *Instructiehandleiding voor de FOUNDATION Fieldbus Interface* (onderdeel D301461X012). Zie voor meer informatie over het configureren van de FFI de *Gebruikshandleiding voor de Field Interface Configurator* (onderdeel D301575X012). Zie voor meer informatie over veilig gebruik van de FFI de *Instructies voor veilig gebruik – FOUNDATION Fieldbus Interface* (onderdeel D3011666X012).

Tabel 1. Aansluitblokverbindingen 12 V dc stroomingang

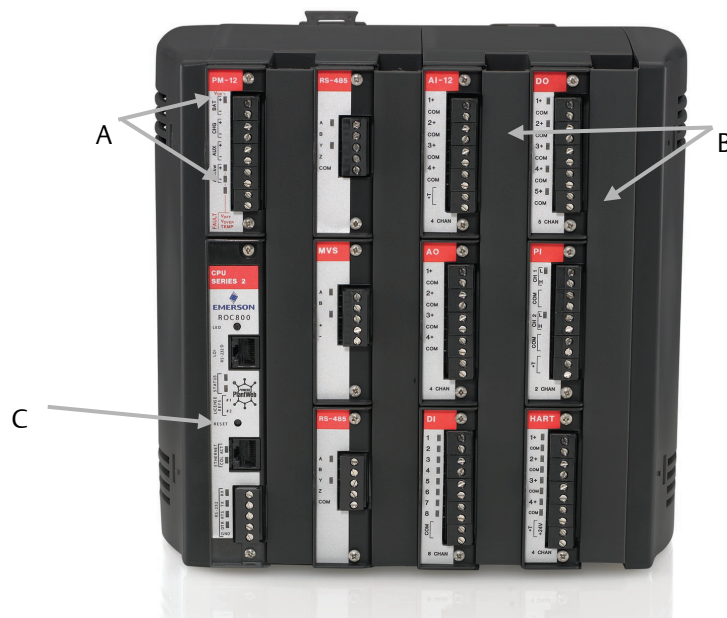
Aansluitblokken	Beschrijving	Gelijkspanning
BAT+ en BAT-	Accepteert 12 V dc nominaal van een gelijkrichter of andere 12 V dc -voeding.	11,25 tot 16 V dc
CHG+ en CHG-	Analoge ingang die wordt gebruikt om een externe ladingsbron te controleren.	0 tot 18 V dc
AUX+ en AUX-	Levert bronspanning die is beschermd tegen omgekeerde polariteit aan externe apparaten.	BAT+ minus 0,7 V dc
AUX _{SW} + en AUX _{SW} -	Levert geschakelde stroom voor externe apparaten.	BAT+ minus 0,7 V dc

Tabel 2. Aansluitblokverbindingen 24 V dc stroomingang

Aansluitblokken	Beschrijving	Gelijkspanning
+ en -	Accepteert 24 V dc nominaal van een gelijkrichter of andere 24 V dc -voeding.	20 tot 30 V dc
AUX+ en AUX-	Levert bronspanning die is beschermd tegen omgekeerde polariteit aan externe apparaten.	11,3 V dc

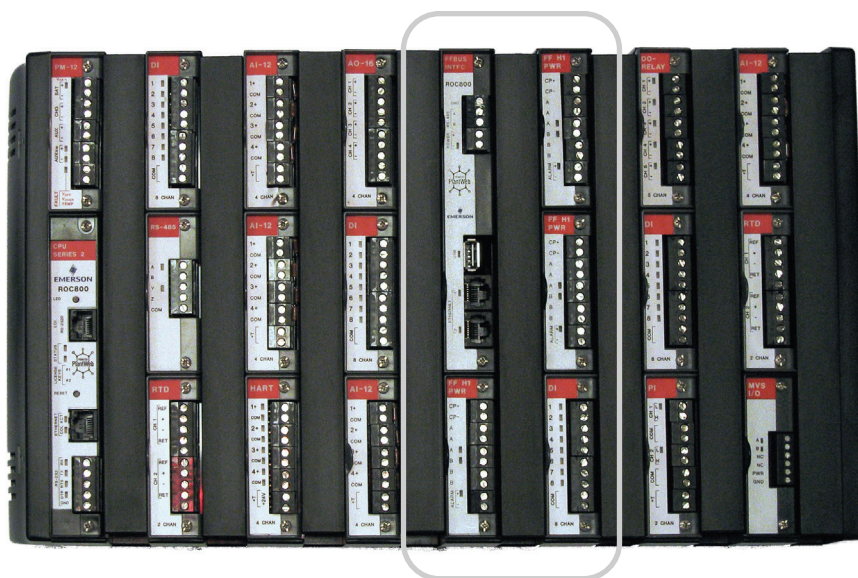
Tabel 3. Aansluitblokverbindingen 30 V dc stroomingang

Aansluitblokken	Beschrijving	Gelijkspanning
+ en -	Accepteert 30 V dc nominaal van een gelijkrichter of andere 30 V dc -voeding.	11 tot 30 V dc
AUX+ en AUX-	Levert bronspanning die is beschermd tegen omgekeerde polariteit (spanningsuitgang volgt ingang) aan externe apparaten.	BAT+ minus 0,7 V dc
AUX _{SW} + en AUX _{SW} -	Levert geschakelde stroom voor externe apparaten.	BAT+ minus 0,7 V dc



- A Ledjes op stroomingangsmodule
- B Draadkanaalafdekkingen
- C RESET-knop

Afbeelding 8. ROC809 Remote Operations Controller



Afbeelding 9. ROC827 met geïnstalleerde Foundation Fieldbus Interface

Ga voor klantenservice en ondersteuning naar
www.emersonprocess.com/remote/support

Hoofdkantoor:

Emerson Process Management

Remote Automation Solutions
6005 Rogerdale Road
Houston, TX 77072 U.S.A.
T +1 281 879 2699 | F +1 281 988 4445
www.EmersonProcess.com/Remote

Europa:

Emerson Process Management

Remote Automation Solutions
Unit 8, Waterfront Business Park
Dudley Road, Brierley Hill
Dudley UK DY5 1LX
T +44 1384 487200 | F +44 1384 487258
www.EmersonProcess.com/Remote

Noord- en Zuid-Amerika:

Emerson Process Management

Remote Automation Solutions
6005 Rogerdale Road
Houston TX USA 77072
T +1 281 879 2699 | F +1 281 988 4445
www.EmersonProcess.com/Remote

Midden-Oosten en Afrika:

Emerson Process Management

Remote Automation Solutions
Emerson FZE
P.O. Box 17033
Jebel Ali Free Zone – South 2
Dubai V.A.E.
T +971 4 8118100 | F +971 4 8865465
www.EmersonProcess.com/Remote

Azië-Pacific:

Emerson Process Management

Remote Automation Solutions
1 Pandan Crescent
Singapore 128461
T +65 6777 8211 | F +65 6777 0947
www.EmersonProcess.com/Remote

© 2005-2016 Remote Automation Solutions, een divisie van Emerson Process Management.
Alle rechten voorbehouden.




Remote Automation Solutions is een divisie van Emerson Process Management en is niet aansprakelijk voor technische of redactionele fouten in deze handleiding of eventuele weglatingen uit deze handleiding. REMOTE AUTOMATION SOLUTIONS BIEDT GEEN ENKELE GARANTIE, HETZIJ IMPLICIET HETZIJ UITDRUKKELIJK, MET INBEGRIJ VAN DE STILZWIJGENDE GARANTIES INZAKE VERKOOPBAARHEID EN GESCHIKTHEID VOOR EEN BEPAALD DOEL IN VERBAND MET DEZE HANDLEIDING EN REMOTE AUTOMATION SOLUTIONS KAN IN GEEN GEVAL AANSPRAKELIJK WORDEN GESTELD VOOR INCIDENTELE, PUNITIEVE, SPECIALE OF GEVOLGSCHADE INCLUSIEF DOCH NIET BEPERKT TOT PRODUCTIEVERLIES, GEDERFDE WINST, GEDERFDE INKOMSTEN OF GEBRUIKSDERVENING EN GEMAAKTE KOSTEN INCLUSIEF DOCH NIET BEPERKT TOT KAPITAALUITGAVEN, BRANDSTOF- EN ENERGIEKOSTEN EN AANSPRAKEN VAN DERDEN.

Emerson Process Management Ltd, Remote Automation Solutions (UK), is een volle dochtermaatschappij van Emerson Electric Co. die handel drijft onder de naam Remote Automation Solutions, een divisie van Emerson Process Management. FloBoss, ROCLINK, ControlWave, Helicoid en OpenEnterprise zijn handelsmerken van Remote Automation Solutions. AMS, PlantWeb, en het PlantWeb-logo zijn merken die in het bezit zijn van de divisie Emerson Process Management van Emerson Electric Co. Emerson Process Management, Emerson en het Emerson-logo zijn handels- en servicemerken van de Emerson Electric Co. Alle andere merken zijn eigendom van hun respectieve eigenaars.

De inhoud van deze publicatie is uitsluitend ter informatie. Hoewel we uiterste zorg hebben besteed aan de nauwkeurigheid van de informatie, kunnen er geen rechten of garanties, expliciet of impliciet, met betrekking tot de producten of diensten die erin beschreven worden, of het gebruik of de toepasbaarheid ervan, aan worden ontleend. Wij behouden ons het recht voor de ontwerpen of specificaties van deze producten op elk moment en zonder voorafgaande kennisgeving aan te passen of te verbeteren. De leveringsvoorwaarden van Remote Automation Solutions, die op aanvraag verkrijgbaar zijn, zijn op alle verkopen van toepassing. Remote Automation Solutions aanvaardt geen aansprakelijkheid voor de selectie, het gebruik of het onderhoud van producten. De aansprakelijkheid voor de juiste selectie, het juiste gebruik en het juiste onderhoud van producten van Remote Automation Solutions berust uitsluitend bij de koper en de eindgebruiker.



Controlador de operaciones remoto serie ROC800

MODEL W40135 FLOW COMPUTER		
POWER MODULE INPUT VOLTAGE AND RATED MAXIMUM POWER		
PM-12	BAT: 11.25 TO 16 VDC, CHG: 0 TO 18 VDC	46 WATTS
PM-24	POWER INPUT: 20 TO 30 VDC	46 WATTS
PM-30	POWER INPUT: 11 TO 30 VDC	76 WATTS
OPERATING AMBIENT TEMP: -40 TO +75°C		
Sirα 05ATEX4046X		 II 3 G
IECEX CSA 15.0053X		
Ex nA IIC T4 Gc, -40°C ≤ Tamb ≤ +75°C		
MUST BE INSTALLED IN IP54 OR BETTER ENCLOSURE OR EQUIVALENT LOCATION. INSTALL ASSEMBLY PER SAFE-USE INSTRUCTIONS PROVIDED.		
BATTERY REPLACEMENT TYPE: REFER TO SERVICE MANUAL		
FUSE REPLACEMENT: 2.5 AMP FAST-ACTING TYPE		
FOUNDATION FIELDBUS INTERFACE RATINGS (WHEN INSTALLED & EXTERNALLY POWERED PER INSTRUCTIONS)		
POWER INPUT: 10 TO 30 VDC		
POWER: 42 WATTS MAX (INTERFACE & DOWNSTREAM MODULES)		
FUSE REPLACEMENT: 6.3 AMP SLO-BLO TYPE		
WARNING: EXPLOSION HAZARD - DO NOT CONNECT/DISCONNECT WHILE CIRCUIT IS LIVE UNLESS AREA IS KNOWN TO BE NON-HAZARDOUS.		
		 
BRISTOL, INC. dba REMOTE AUTOMATION SOLUTIONS WATERTOWN, CT, USA		
		W11411X0022

DOC0986A

Figura 1. Etiqueta de la serie ROC800

Use este documento de instrucciones de uso seguro (SUI) con el *Manual de instrucciones del controlador de operaciones remoto serie ROC800* (parte D301217X012). Para conocer todas las precauciones y las descripciones de instalación y los procedimientos de solución de problemas, consulte este manual. Si necesita una capacitación sobre este producto, comuníquese con su oficina de ventas local.

El controlador de operaciones remoto serie ROC800 (o "ROC800") con la aprobación de ATEX se puede pedir con cualquier comunicación opcional o los módulos de E/S enumerados en las especificaciones técnicas *Controladores de operaciones remotos serie ROC800* (ROC800).

El certificado para este equipo incluye las siguientes condiciones especiales para un uso seguro (X):

1. Si se está usando el sensor de MVS remoto opcional con este equipo, tenga en cuenta que este sensor contiene un diafragma de pared delgada. Al instalar el equipo, usarlo y darle mantenimiento, se deberán tener en cuenta las condiciones ambientales a las cuales está expuesto el diafragma. Cuando instale y mantenga el dispositivo, siga detalladamente las instrucciones del fabricante para garantizar la seguridad durante su vida útil prevista.
2. Instale el equipo en una carcasa IP54 o de mejor calidad o en una ubicación equivalente. Cualquier carcasa se puede certificar adecuadamente o se puede aprobar de otra manera para la zona de uso (Zona 2).
3. Asegúrese de que el voltaje de entrada nominal no se supere en el servicio.
4. Asegúrese de que los conductores de cables usados se clasifiquen para 75 °C o más.

5. Si instala un módulo de IEC 62591 o una CPU FOUNDATION Fieldbus en el ROC800, no use el conector USB en un área peligrosa conocida.

Declaración de conformidad

Por la presente, Remote Automation Solutions declara que los productos serie ROC800 cumplen con los requisitos esenciales y otras provisiones relevantes de las directivas europeas 2004/108/EC (EMC) y 94/9/EC (ATEX).

PRECAUCIÓN

Al instalar unidades en un área peligrosa, asegúrese de que todos los componentes seleccionados para la instalación estén diseñados para su uso en este tipo de entornos. La instalación y el mantenimiento deben llevarse a cabo solo cuando se tenga la seguridad de que el área no es peligrosa. La instalación o el mantenimiento en un área peligrosa podría ocasionar lesiones personales o daños materiales.

Siempre apague la alimentación a ROC800 antes de intentar cualquier tipo de cableado. El cableado de equipos con alimentación conectada podría ocasionar lesiones personales o daños materiales.

Para evitar daños en los circuitos al trabajar dentro de la unidad, utilice las debidas precauciones contra descargas electrostáticas, como el uso de una pulsera antiestática conectada a tierra.

PRECAUCIÓN

Revise la polaridad de la alimentación de entrada antes de la conexión al ROC800.

Se requieren las siguientes herramientas para la instalación, el mantenimiento y la solución de problemas:

- Computadora que ejecute Microsoft® Windows® 2000 (con Service Pack 2), Windows XP, Windows Vista o Windows 7.
- Software de configuración ROCLINK™ 800.
- Destornillador Phillips (cruciforme).
- Destornillador de cabeza plana.

Interfaz integral FOUNDATION™ Fieldbus

Puede instalar una interfaz Foundation Fieldbus en una carcasa serie 2 ROC827. Para obtener más información, consulte *Cableado de una FFI en ROC827* en este documento.

Especificaciones

ALIMENTACIÓN

Módulo de entrada de alimentación de 12 V cc:

Rango de funcionamiento: 11,25 a 16 V cc.

Corriente de entrada: 5 Amps como máximo

Módulo de entrada de alimentación de 24 V cc:

Rango de funcionamiento: 20 a 30 V cc.

Corriente de entrada: 2 Amp como máximo

Módulo de entrada de alimentación de 30 V cc:

Rango de funcionamiento: 11 a 30 V cc.

Corriente de entrada: 7 Amp como máximo

MATERIALES

Caja: Plástico acrilonitrilo butadieno estireno (ABS).

Cubiertas del canal de cable: Plástico polipropileno

Módulos: Poliéster termoplástico, resistente a los solventes.

CARACTERÍSTICAS AMBIENTALES

Temp. de operación: -40 a +75 °C.

Temp. de almacenamiento: -40 a +85 °C.

Humedad relativa: IEC68-2-3; 5-95% sin condensación.

PESO

1,65 kg para la carcasa, el plano posterior y la CPU.

Módulos de E/S: Varían desde 49–60 g.

Módulo de módem: 113,4 g.

Módulo EIA-232 (RS-232): 47,6 g.

Módulo EIA-422/485 (RS-422/485): 49,9 g.

Módulo de MVS: 61,2 g.

Módulo de entrada de alimentación de 12 V cc: 97,5 g.

Módulo de entrada de alimentación de 24 V cc: 120 g.

Módulo de entrada de alimentación de 30 V cc: 91 g.

APROBACIONES

Evaluado según las siguientes normas europeas (EMC):

EN55011 (Emisiones).

EN61000-4-2 (Inmunidad de descarga electrostática).

EN61000-4-3 (Inmunidad de campo electromagnético).

EN61000-4-4 (Inmunidad de transitorios rápidos eléctricos).

EN61000-4-5 (Inmunidad de sobretensión).

EN61000-4-6 (Inmunidad conducida).

Evaluado según las siguientes normas europeas (ATEX):

EN60079-0:2012.

EN60079-15:2010.

Certificado por Sira como Modelo W40135.

Evaluado según las siguientes normas (IEC):

IEC 60079-0:2011 (6a edición)

IEC 60079-15:2010, 4a edición

Marcas de productos para ubicaciones peligrosas:

Ex nA IICT4 Gc (-40 °C ≤ T_{amb} ≤ +75 °C),



II 3 G.

N.º de cert. Sira 05ATEX4046X

1. El ROC800 se recibe en una caja. Retírelo de la caja.

2. Busque un lugar adecuado para el ROC800. Siempre instale el ROC800 en una carcasa suministrada por el usuario, ya que el ROC800 requiere protección de la exposición directa a la lluvia, nieve, hielo, desechos o restos que vuelen, y atmósferas corrosivas. Si el ROC800 está instalado afuera de un edificio, se debe colocar en una carcasa con clasificación IP54 (o mejor).

Nota: Si coloca el ROC800 dentro de una carcasa, use el cable de extensión provisto para ubicar la antena afuera de la carcasa. Selle cualquier orificio que haga en la carcasa con este fin para asegurar el mantenimiento de la clasificación IP54 necesaria.

Cuando elija una carcasa, asegúrese de revisar todos los espacios vacíos. Proporcione suficiente espacio para el cableado y el mantenimiento. Vea la *Figura 2* y la *Figura 3*.

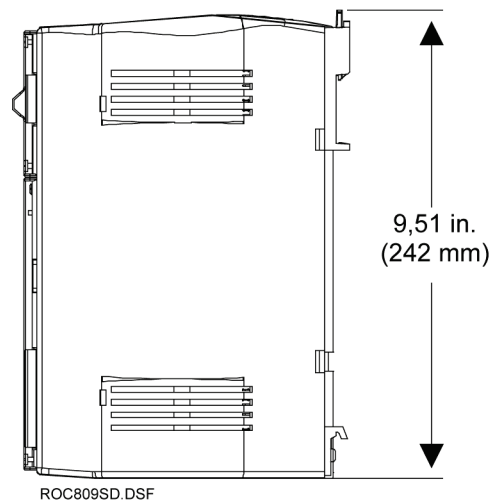


Figura 2. Vista lateral del ROC809

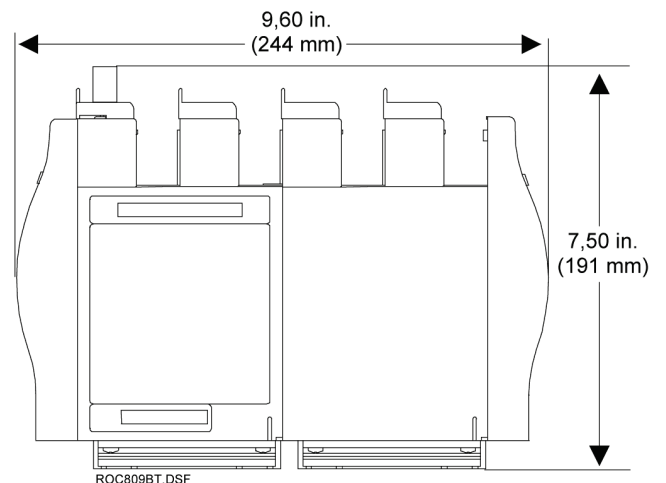
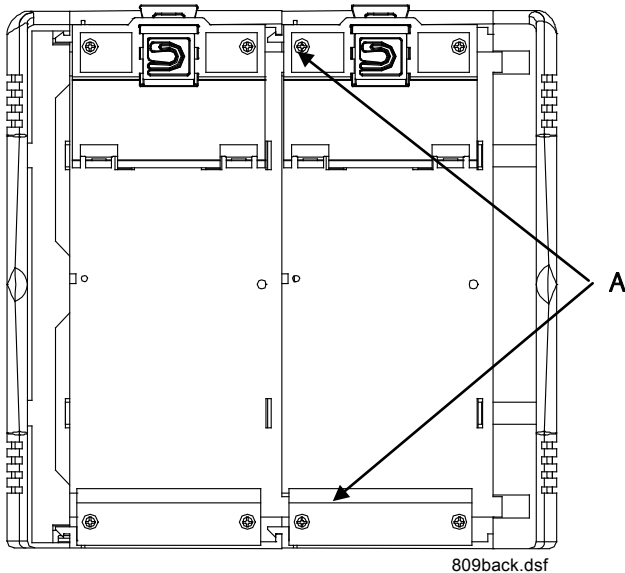


Figura 3. Vista inferior del ROC809

3. La carcasa del ROC800 se monta sobre dos carriles DIN de 35 x 7,5 mm. Vea la *Figura 4*.

- Monte los carriles DIN superiores sobre el ROC800.
- Monte los carriles DIN inferiores sobre el plano posterior.
- Coloque el ROC800 sobre el carril interior montado en el plano posterior y asegúrese de que el borde inferior del ROC800 esté al mismo nivel que el panel.
- Gire la parte superior de la unidad del ROC800 hasta que se encuentre al mismo nivel que el panel.
- Ajuste la tira superior del carril DIN al panel.



A Montaje en carril DIN

Figura 4. Parte posterior del ROC809

4. Si su empresa no tiene requisitos específicos de conexión a tierra, instale la unidad del ROC800 como un sistema “flotante” (no conectado a tierra). De lo contrario, siga las prácticas específicas de conexión a tierra de su empresa. Sin embargo, si está haciendo una conexión entre un dispositivo con puesta a tierra y el puerto EIA-232 (RS-232) del ROC800, conecte a tierra el suministro de alimentación del ROC800.

Si debe conectar a tierra el equipo, tenga en cuenta las siguientes pautas:

- Cuando el equipo utiliza fuentes de voltaje de CC, el sistema de conexión a tierra se debe terminar en el punto de desconexión del servicio. Todos los conductos de conexión a tierra del equipo, incluidos el cable o conducto que llevan la alimentación, deben proporcionar un recorrido eléctrico ininterrumpido hasta la desconexión del servicio.
- Una conexión a tierra incorrecta o prácticas de conexión deficientes, con frecuencia, pueden causar problemas, como la introducción de bucles de tierra en el sistema. La puesta a tierra adecuada de la unidad de ROC contribuye a reducir los efectos del ruido eléctrico en el funcionamiento de la unidad de ROC y la protege contra rayos. Instale un dispositivo de protección contra sobretensiones en la desconexión de servicio en sistemas de voltaje de CC para proteger el equipo instalado contra rayos y sobretensiones. También podría tener en cuenta un protector contra

sobretensiones telefónicas para el módulo de comunicaciones de módem de acceso telefónico.

- Una tubería con una protección catódica no es una buena conexión a tierra. No haga una conexión común hacia la parte catódica de la tubería.
- El método de instalación de la conexión a tierra para el ROC800 depende de si la tubería tiene una protección catódica. En tuberías con protección catódica, el ROC debe aislarse eléctricamente con respecto a la tubería. Todas las conexiones a tierra deben tener una varilla a tierra o rejilla de tierra con impedancia de 25 ohmios o menos, medida con un probador de sistemas de tierra.

5. Conecte el ROC800 a través de los bloques terminales en la parte delantera de cada módulo. Los bloques terminales aceptan 12 AWG o un cableado más pequeño.

Para conectar el cable a terminales de compresión de bloque removibles:

- Pele el extremo del cable (1/4 de pulgada como máximo).
- Inserte el extremo pelado en el sujetador debajo del tornillo de terminación.
- Apriete el tornillo.

El ROC800 debe tener expuesta una cantidad mínima de cable pelado para evitar cortocircuitos. Permita que haya algo de espacio suficiente cuando haga las conexiones para evitar la presión.

a. Conecta el cable de alimentación. Primero determine los requisitos de alimentación y revise la descripción del cableado de alimentación en el *Capítulo 3 del Manual de instrucciones del controlador de operaciones remoto serie ROC800* (parte D301217X012).

Verifique si la polaridad del enganchado es correcta.

Para hacer conexiones de suministro de alimentación de CC:

- Si es adecuado, realice el procedimiento de datos respaldo de configuración y datos de registro.
- Otra opción es instalar un dispositivo de protección contra sobretensiones en la desconexión del servicio.
- Quite todas las otras fuentes de alimentación del ROC800.
- Instale un fusible en la fuente de alimentación de entrada.
- Quite al conector del bloque de terminales del tomacorriente.
- Inserte cada extremo de cable pelado desde:
 - la fuente de 12 V cc hasta el sujetador debajo del tornillo de terminación adecuado BAT+/BAT- (vea la *Figura 5*) **O**
 - la fuente de 24 V cc hasta el sujetador debajo del tornillo de terminación adecuado +/- . El terminal + también debe tener un fusible (vea la *Figura 5*) **O**
 - la fuente de 11-30 V cc hasta el sujetador debajo de los tornillos de terminación adecuados +/- (vea la *Figura 5*)

Consulte las *Tablas 1, 2 y 3* para conocer las conexión de cableado de alimentación.

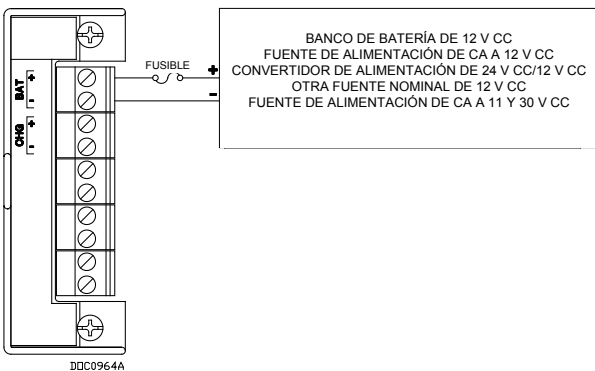


Figura 5. Fuente de alimentación de 12 V cc y cableado de BATERÍAS/BATERÍAS-

- Atornille cada cable en el bloque de terminal. Enchufe el conector del bloque de terminales de nuevo en el tomacorriente.
- Si está monitoreando un voltaje de carga externa (Módulo de entrada de alimentación de 12 V cc únicamente), conecte el cable del conector del bloque de terminales de CHG+ y CHG-. Consulte la *Figura 6*.

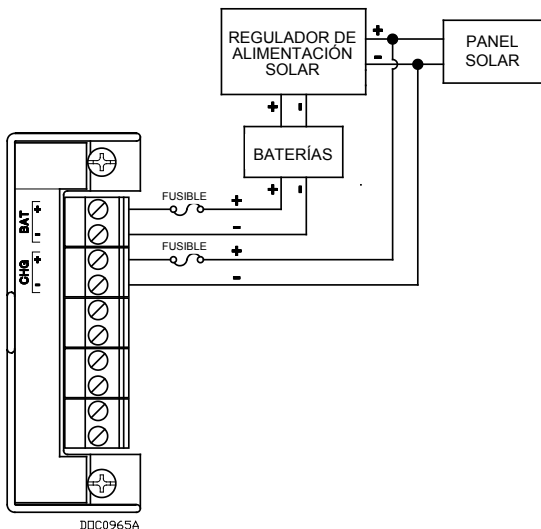


Figura 6. Fuente de alimentación de 12 V cc y cableado de CHG+/CHG-

- Reemplace todas las otras fuentes de alimentación (si es necesario) en el ROC800.
- b.** Conecte el cableado a los bloques de terminales en los módulos de comunicaciones y de E/S. Consulte los *Capítulos 3 y 4* del *Manual de instrucciones del controlador de operaciones remoto serie ROC800* (parte D301217X012) para conocer los esquemas y las explicaciones del cableado.
- 6.** Presione las cubiertas del canal de cable sobre los canales del cableado, una vez finalizado el cableado de los bloques de terminales. Vea la *Figura 8*.

7. Para arrancar el ROC800, conecte la alimentación hacia el ROC800. El indicador LED (con la etiqueta V_{OK} en los módulos de entrada de alimentación PM-12 o PM-30, o V_{12} en el módulo de entrada de alimentación PM-24) debe tener una luz verde para indicar que el voltaje aplicado es correcto. Luego, el indicador de ESTADO en la CPU debe estar encendido para indicar una operación válida. En función de la configuración del Modo de ahorro de energía (disponible solo en el módulo de entrada de alimentación PM-12), es posible que el indicador de ESTADO no permanezca encendido durante el funcionamiento. Vea la *Figura 8*.

8. Cuando el inicio sea correcto, configure el ROC800 para cumplir con los requisitos de la aplicación. Después de configurar el ROC800 y calibrar la E/S y MVS, puede poner en funcionamiento el ROC800. Consulte el *Manual de usuario del software de configuración ROCLINK 800 (para la serie ROC800)* (parte D301250X012). Cuando el ROC800 está en funcionamiento realiza cálculos de caudal. Durante el funcionamiento y uso normales, no se requiere ningún ajuste de usuario en el dispositivo.

9. Para mantener el ROC800, inspeccione periódicamente el cableado en busca de señales de deterioro. Es posible que el ROC800 también requiere la verificación de la calibración de E/S, MVS y medidor.

10. Si tiene problemas que parecen estar relacionados con el software, trate de restablecer el ROC800 con un inicio en caliente, un inicio en frío o siga el procedimiento de la nota a continuación.

Nota: Pierde todos los datos de registro y configuración con un restablecimiento. Haga un respaldo de los datos de registro y de la configuración antes de realizar cualquier tipo de restablecimiento.

El botón RESET (Reinicio) en la parte delantera del módulo de CPU restaura la unidad a las características predeterminadas de fábrica (vea la *Figura 8*). Para usar el botón RESET, quite la alimentación de la unidad y presione firmemente el botón durante 15 segundos con un bolígrafo o aguja mientras se aplica la alimentación. Consulte el *Manual de usuario del software de configuración ROCLINK 800 (para la serie ROC800)* (parte D301250X012) con respecto a los inicios en frío y caliente.

Si tiene problemas que parezcan estar relacionados con el hardware, revise el cableado. Si todavía tiene problemas, comuníquese con la oficina de ventas local para obtener una autorización de devolución.

11. Para desarmar el ROC800, primero respalde todos los datos de registro y la configuración de la unidad. Luego, quite toda la alimentación de la unidad y retire el cableado externo de los módulos.

12. Quite la carcasa del ROC800 de los carriles DIN al destrabar los dos sujetadores del carril DIN que se encuentran arriba de la parte posterior de la carcasa.

13. Coloque el ROC800 en una caja para el envío o almacenamiento.

Cableado de una FFI en ROC827

Si necesita incluir una interfaz FOUNDATION Fieldbus (FFI) como parte integral de un ROC827 serie 2 (se muestra en la *Figura 9*), conecte la FFI al ROC800 como se muestra en la *Figura 7*.

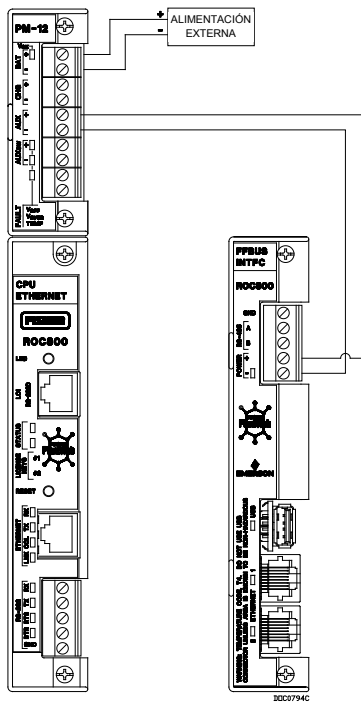


Figura 7. Cableado de ROC827 y FFI (FFI incluido en la carcasa del ROC827)

Nota: Este es el método de cableado preferido, ya que garantiza que quitar alimentación de la CPU del ROC800 también retira alimentación de la FFI.

Para obtener más información sobre el funcionamiento de la FFI, consulte el *MANUAL de instrucciones de la interfaz Foundation Fieldbus* (parte D301461X012). Para obtener más información sobre el funcionamiento de la FFI, consulte el *Manual de usuario del configurador de Field Interface* (parte D301575X012). Para obtener más información sobre el funcionamiento de uso seguro de la FFI, consulte *Instrucciones de uso seguro: INTERFAZ FOUNDATION Fieldbus* (parte D3011666X012).

Tabla 1. Conexiones del bloque de terminales de entrada de alimentación de 12 V CC

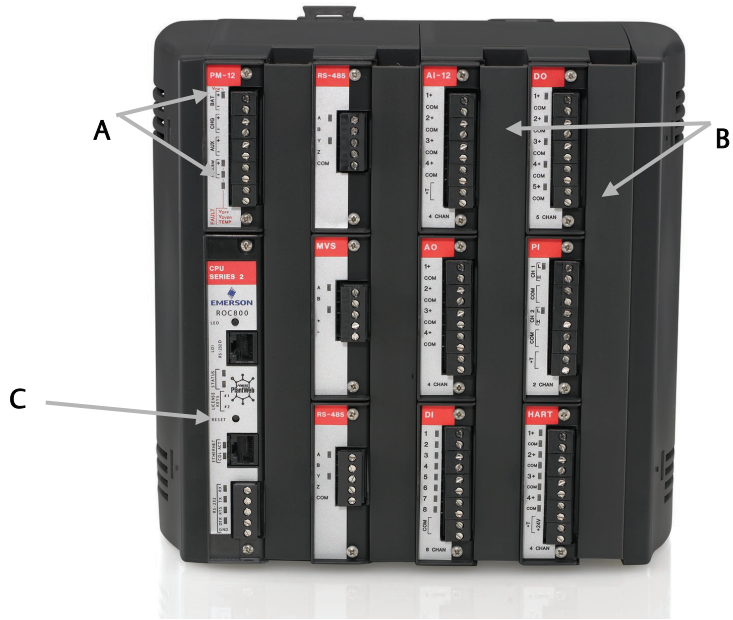
Bloques de terminales	Descripción	Voltaje CC
BAT+ y BAT-	Acepta 12 V cc nominal desde un convertidor de AC/DC u otra fuente de 12 V cc.	11,25 a 16 V cc
CHG+ y CHG-	Se usa la entrada analógica para monitorear una fuente de carga externa.	0 a 18 V cc
AUX+ y AUX-	Suministra un voltaje de fuente protegida contra la polaridad invertida a los dispositivos externos.	BAT+ menos 0,7 V cc
AUX _{sw} + y AUX _{sw} -	Suministra una alimentación conmutada para los dispositivos externos.	BAT+ menos 0,7 V cc

Tabla 2. Conexiones del bloque de terminales de entrada de alimentación de 24 V CC

Bloques de terminales	Descripción	Voltaje CC
+ y -	Acepta 24 V cc nominal desde un convertidor de AC/DC u otra fuente de 24 V cc.	20 a 30 V cc
AUX+ y AUX-	Suministra un voltaje de fuente protegida contra la polaridad invertida a los dispositivos externos.	11,3 V cc

Tabla 3. Conexiones del bloque de terminales de entrada de alimentación de 30 V CC

Bloques de terminales	Descripción	Voltaje CC
+ y -	Acepta 30 V cc nominal desde un convertidor de AC/DC u otra fuente de 30 V cc.	11 a 30 V cc
AUX+ y AUX-	Suministra un voltaje de fuente protegida contra la polaridad invertida (la salida de voltaje sigue a la entrada) a los dispositivos externos.	BAT+ menos 0,7 V cc
AUX _{SW} + y AUX _{SW} -	Suministra una alimentación conmutada para los dispositivos externos.	BAT+ menos 0,7 V cc



- A Indicadores LED en el módulo de entrada de alimentación
- B Cubiertas del canal de cable
- C Botón RESET

Figura 8. Controlador de operaciones remoto ROC809

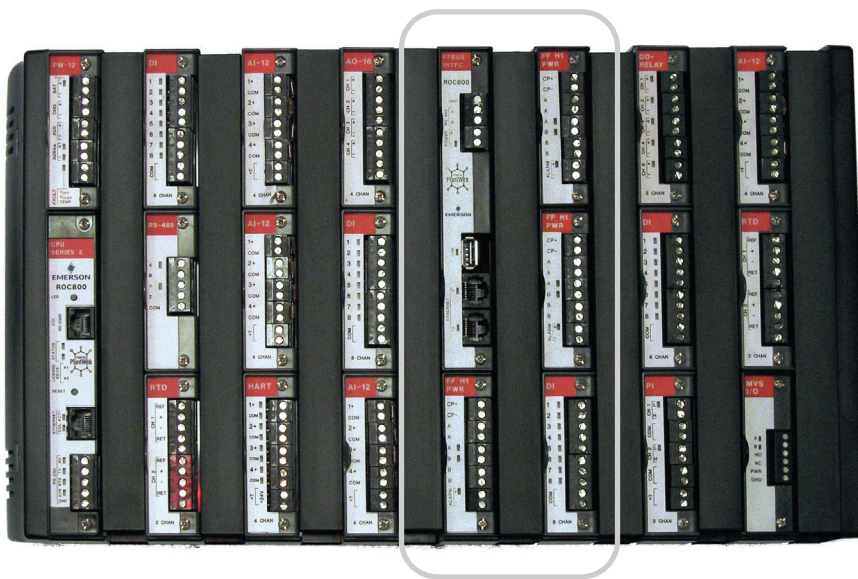


Figura 9. ROC827 con interfaz Foundation Fieldbus instalada

Para recibir servicio al cliente y soporte técnico, visite www.emersonprocess.com/remote/support

Oficina central:

Emerson Process Management
Remote Automation Solutions
6005 Rogerdale Road
Houston, TX 77072 EE. UU.
T +1 281 879 2699 | F +1 281 988 4445
www.EmersonProcess.com/Remote

Europa:

Emerson Process Management
Remote Automation Solutions
Unidad 8, Waterfront Business Park
Dudley Road, Brierley Hill
Dudley Reino Unido DY5 1LX
T +44 1384 487200 | F +44 1384 487258
www.EmersonProcess.com/Remote

Norteamérica/Latinoamérica:

Emerson Process Management
Remote Automation Solutions
6005 Rogerdale Road
Houston, TX 77072 EE. UU.
T +1 281 879 2699 | F +1 281 988 4445
www.EmersonProcess.com/Remote

Medio Oriente/África:

Emerson Process Management
Remote Automation Solutions
Emerson FZE
P.O. Box 17033
Jebel Ali Free Zone – South 2
Dubai, Emiratos Árabes Unidos
T +971 4 8118100 | F +971 4 8865465
www.EmersonProcess.com/Remote

Asia-Pacífico:

Emerson Process Management
Remote Automation Solutions
1 Pandan Crescent
Singapur 128461
T +65 6777 8211 | F +65 6777 0947
www.EmersonProcess.com/Remote

© 2005-2016 Remote Automation Solutions, una unidad comercial de Emerson Process Management. Todos los derechos reservados.

Remote Automation Solutions, una unidad comercial de Emerson Process Management, no es responsable por ningún error técnico o editorial en este manual ni por ningún tipo de omisión dentro de este manual. REMOTE AUTOMATION SOLUTIONS NO OTORGA GARANTÍAS, EXPRESAS O IMPLÍCITAS, INCLUIDAS LAS GARANTÍAS IMPLÍCITAS DE COMERCIABILIDAD Y ADAPTABILIDAD A UN FIN DETERMINADO EN RELACIÓN CON ESTE MANUAL Y, BAJO NINGUNA CIRCUNSTANCIA, REMOTE AUTOMATION SOLUTIONS SERÁ RESPONSABLE POR NINGÚN DAÑO INCIDENTAL, PUNITIVO, ESPECIAL O RESULTANTE QUE INCLUYA, A TÍTULO ENUNCIATIVO, PÉRDIDAS DE PRODUCCIÓN, PÉRDIDAS DE GANANCIAS, PÉRDIDAS DE UTILIDADES O USO, Y COSTES INCURRIDOS QUE INCLUYEN, ENTRE OTROS, GASTOS POR CAPITAL, COMBUSTIBLE Y ENERGÍA, Y RECLAMACIONES DE TERCEROS.

Emerson Process Management Ltd, Remote Automation Solutions (UK), es una subsidiaria totalmente propiedad de Emerson Electric Co. que hace negocios como Remote Automation Solutions, una unidad comercial de Emerson Process Management. FloBoss, ROCLINK, ControlWave, Helicoid y OpenEnterprise son marcas comerciales de Remote Automation Solutions. AMS, PlantWeb y el logotipo de PlantWeb son marcas propiedad de una de las empresas en la unidad comercial Emerson Process Management de Emerson Electric Co. Emerson Process Management, Emerson y el logotipo de Emerson son marcas comerciales y marcas de servicio de Emerson Electric Co. Todas las demás marcas son propiedad de sus respectivos dueños.

El contenido de esta publicación se presenta para fines informativos únicamente. Aunque se han hecho todos los esfuerzos para garantizar la precisión de la información, no debe tomarse como garantía, expresa o implícita, relativa a los productos o servicios descritos en esta publicación o a su uso o aplicación. Remote Automation Solutions se reserva el derecho de modificar o mejorar los diseños o especificaciones de dichos productos en cualquier momento, sin previo aviso. Todas las ventas están regidas por los términos y condiciones de Remote Automation Solutions, los cuales están disponibles a solicitud. Remote Automation Solutions no se hace responsable de la selección, el uso o el mantenimiento de ningún producto. La responsabilidad de la selección, el uso y el mantenimiento correctos de cualquier producto de Remote Automation Solutions corresponde exclusivamente al comprador y al usuario final.



