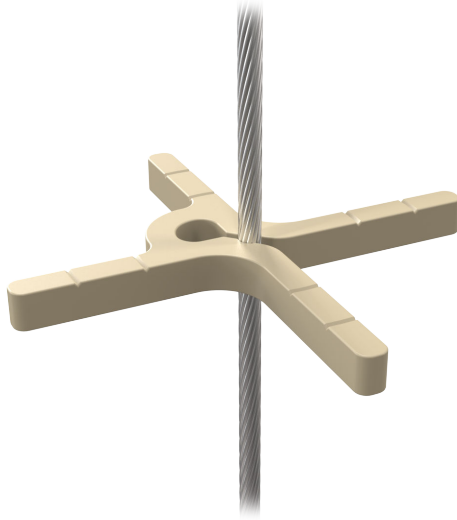


Rosemount™ Snap-on Centering Discs

For Flexible Single Lead Probes



1 About this guide

This guide provides instructions for mounting the snap-on centering discs on a flexible single lead probe.

1.1 Safety messages

▲ WARNING

Failure to follow safe installation and servicing guidelines could result in death or serious injury.

Ensure only qualified personnel perform the installation.

1.2 Required equipment

- Tape measure
- Cutting pliers
- Hand file

1.3 Product recycling/disposal

Recycling of equipment and packaging should be taken into consideration and disposed of in accordance with local and national legislation or regulations.

2 Snap-on centering disc kits

Part number	Description
03300-1658-0001	Kit, 2- to 4-in. snap-on centering disc, PEEK, 1 pc
03300-1658-0002	Kit, 2- to 4-in. snap-on centering disc, PEEK, 3 pcs
03300-1658-0003	Kit, 2- to 4-in. snap-on centering disc, PEEK, 5 pcs

2.1 Centering disc size recommendation

Figure 2-1: Top View

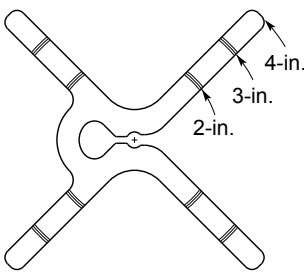


Table 2-1: Centering Disc Dimensions

Disc size	Actual disc diameter
2-in.	1.50 in. (38 mm)
3-in.	2.36 in. (60 mm)
4-in.	3.15 in. (80 mm)

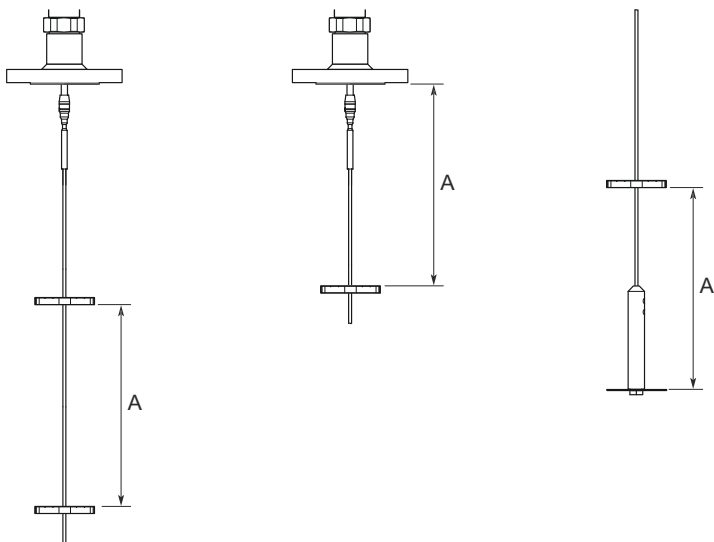
Table 2-2: Centering Disc Size Recommendation

Pipe size	Pipe schedule					
	5s, 10s, 20s	30, 40s, 40	80s, 80, XS	120	160	XXS
2-in./DN50	2-in.	2-in.	2-in.	N/A ⁽¹⁾	2-in.	2-in.
2½-in./DN65	3-in.	3-in.	2-in.	2-in.	2-in.	2-in.
3-in./DN80	4-in.	3-in.	3-in.	3-in.	3-in.	2-in.
3½-in./DN90	4-in.	4-in.	4-in.	N/A ⁽¹⁾	N/A ⁽¹⁾	3-in.
4-in./DN100	4-in.	4-in.	4-in.	4-in.	4-in.	4-in.

(1) Schedule is not available for pipe size.

3 Mounting considerations

Figure 3-1: Minimum and Recommended Distance



A. Minimum: 3.3 ft. (1 m)
 Recommended: 9.8 ft. (3 m)

Table 3-1: Maximum Number of Centering Discs

Model	Water (DC = 80)	Oil (DC = 2)
3300	20	5
3308	16	5
5300	20	11

Note

Use as few centering discs as possible.

3.1 Operating temperature limits

-67 to 392 °F (-55 to 200 °C)

3.2 Effect on measurement performance

See each product's [Product Data Sheet](#) for more information.

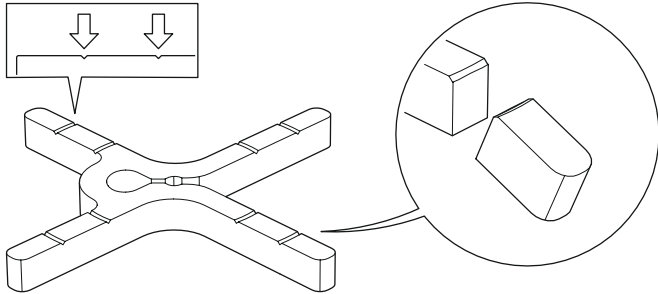
4 Mount the snap-on centering discs

Procedure

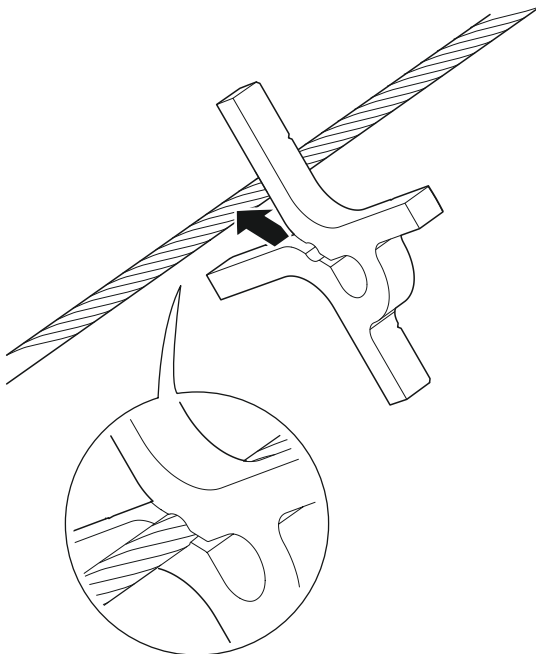
1. If required, cut the centering discs at the grooves.

⚠ CAUTION

Be careful of sharp edges. Wear protective gloves!



2. Remove any sharp edges with a hand file.
3. Snap on the centering discs on the probe.





Quick Start Guide
00825-0400-4530, Rev. AB
April 2021

For more information: www.emerson.com

©2021 Emerson. All rights reserved.

Emerson Terms and Conditions of Sale are available upon request. The Emerson logo is a trademark and service mark of Emerson Electric Co. Rosemount is a mark of one of the Emerson family of companies. All other marks are the property of their respective owners.

ROSEMOUNT™

