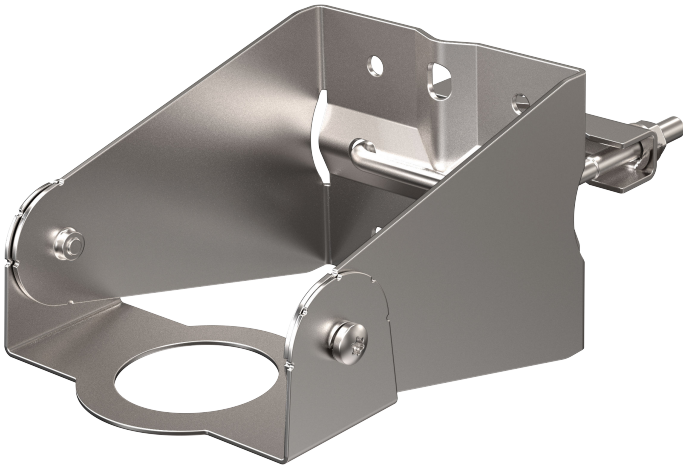


# Rosemount™ 1208 Level and Flow Transmitter

Standard mounting bracket



# 1 About this guide

This guide provides instructions for mounting the standard bracket.

## 1.1 Safety messages

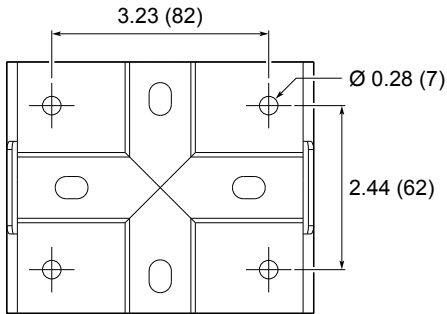
### **⚠ WARNING**

**Failure to follow safe installation and servicing guidelines could result in death or serious injury.**

Ensure only qualified personnel perform the installation.

## 1.2 Bracket hole pattern

**Figure 1-1: Hole Pattern for Wall Mounting**



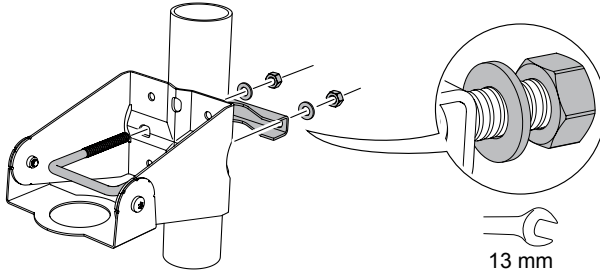
Dimensions are in inches (millimeters).

## 2 Mount the standard bracket

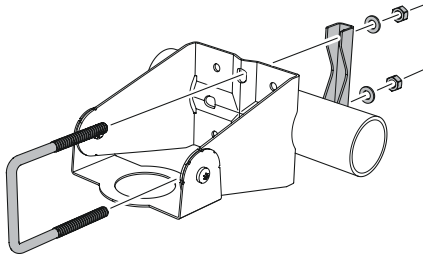
### Procedure

1. Mount the bracket on the pipe/ceiling/wall.

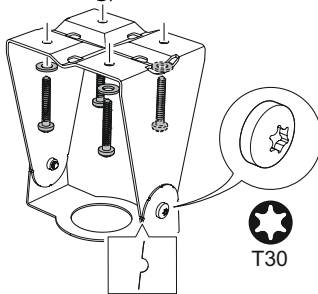
On pipe:



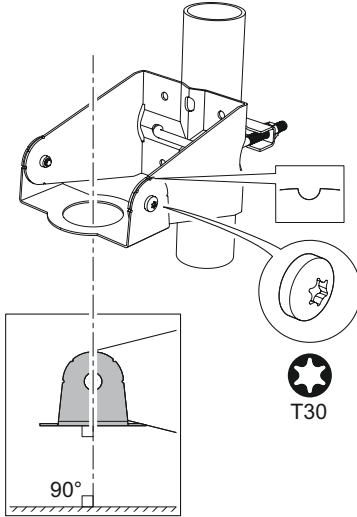
or



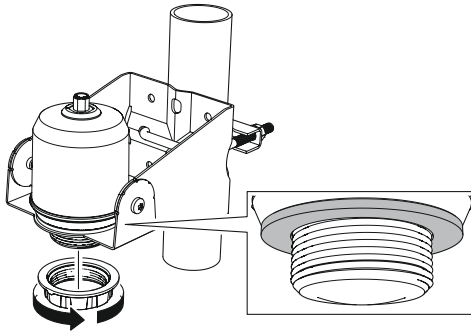
On ceiling/wall:



2. Ensure the adjustable holder is directed toward the ground.



3. Install and hand tighten the transmitter.











Quick Start Guide  
00825-0400-7062, Rev. AA  
June 2022

For more information: [Emerson.com](https://www.emerson.com)

©2022 Emerson. All rights reserved.

Emerson Terms and Conditions of Sale are available upon request. The Emerson logo is a trademark and service mark of Emerson Electric Co. Rosemount is a mark of one of the Emerson family of companies. All other marks are the property of their respective owners.

**ROSEMOUNT™**

