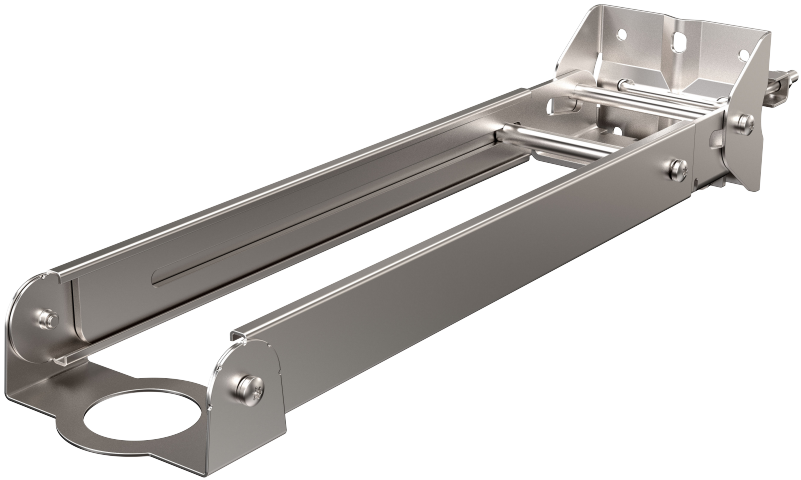


Rosemount™ 1208 Level and Flow Transmitter

Extendable mounting bracket



1 About this guide

This guide provides instructions for mounting the extendable bracket.

1.1 Safety messages

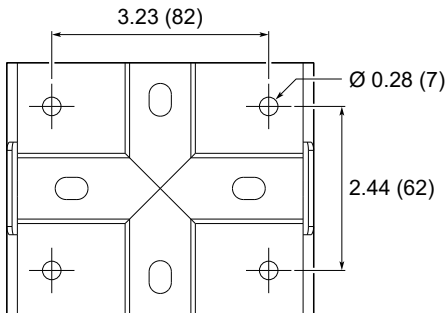
⚠ WARNING

Failure to follow safe installation and servicing guidelines could result in death or serious injury.

Be sure only qualified personnel perform the installation.

1.2 Bracket hole pattern

Figure 1-1: Hole Pattern for Wall Mounting



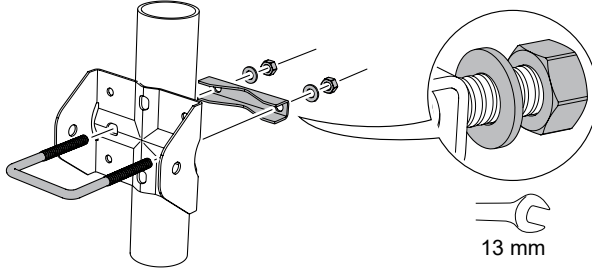
Dimensions are in inches (millimeters).

2 Mount the extendable bracket

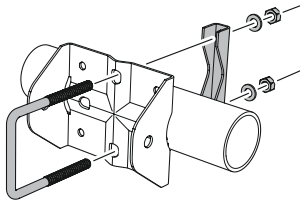
Procedure

1. Mount the bracket on the pipe/wall.

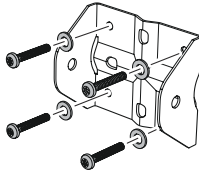
On pipe:



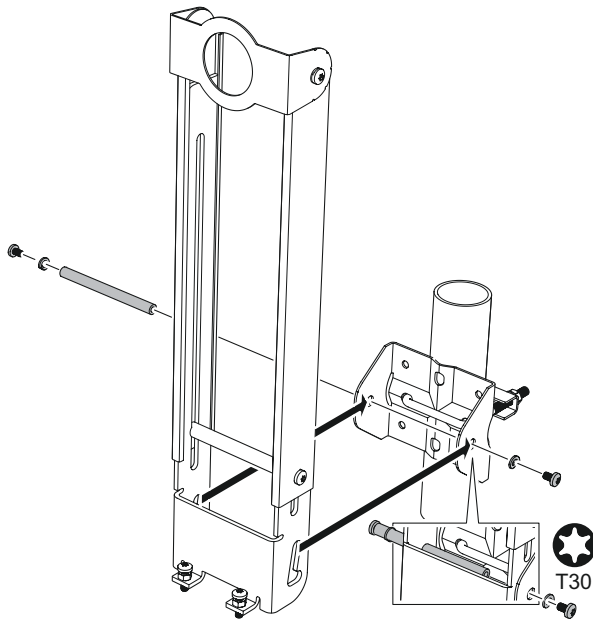
or



On wall:



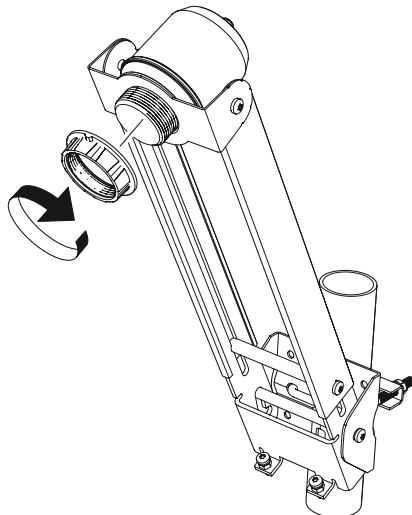
- 2. Mount the extendable arm.
Do not fully tighten the screws at this stage.



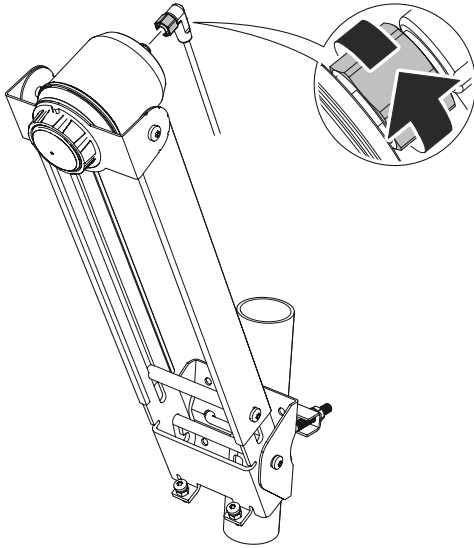
- 3. Install and hand tighten the transmitter

Note

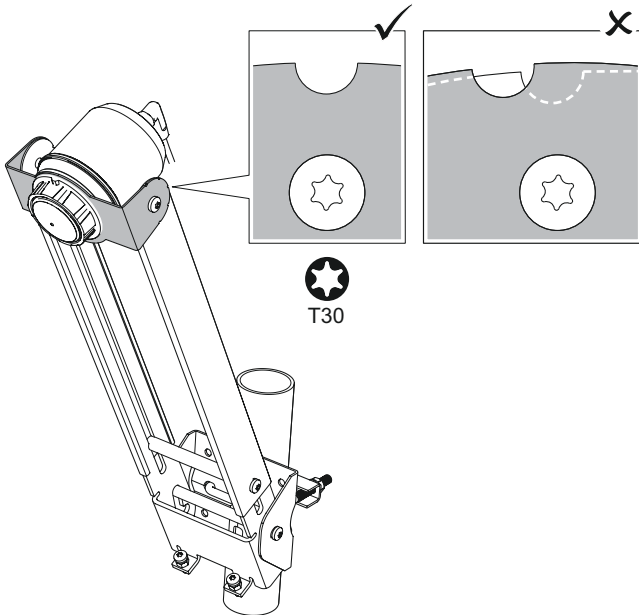
The nut is shipped with the transmitter.



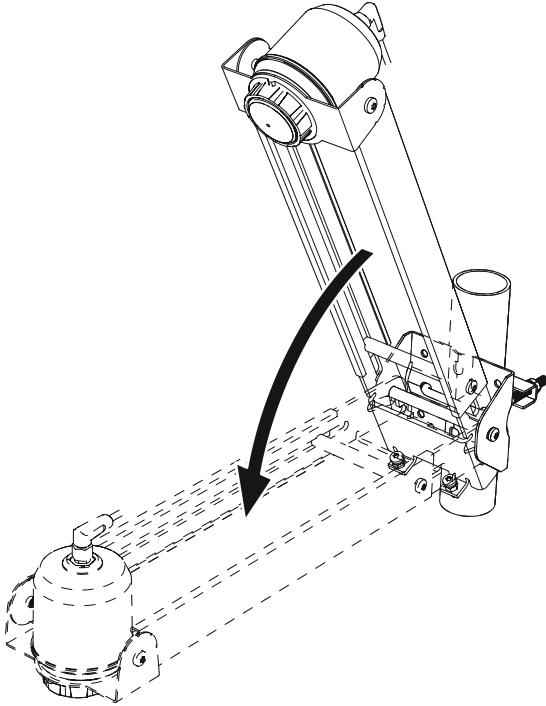
4. Connect the M12 cable.



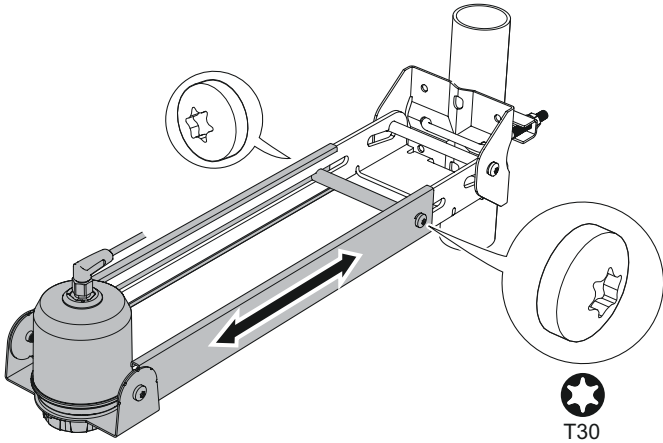
5. Ensure the adjustable holder is properly aligned.



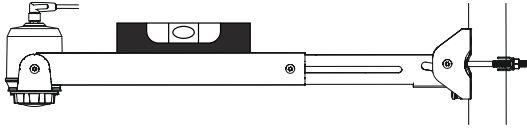
- 6. Fold down the arm to a horizontal position.



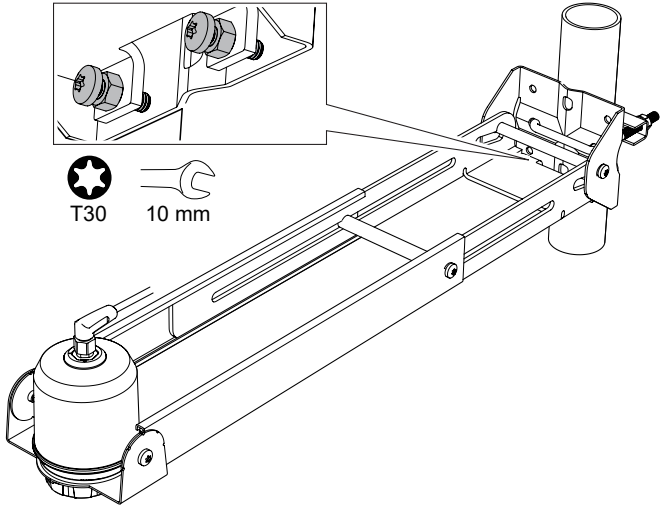
- 7. Adjust the length of the arm as necessary. Then tighten the two screws.



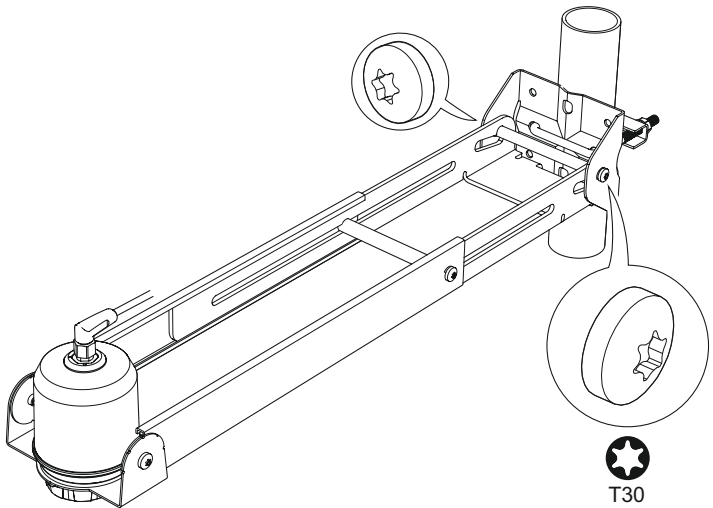
8. Check that the bracket installation is level.



To raise or lower the arm, adjust the two level screws. Then tighten the two nuts.



9. Tighten the two screws.





Quick Start Guide
00825-0300-7062, Rev. AB
March 2023

For more information: [Emerson.com](https://www.emerson.com)

©2023 Emerson. All rights reserved.

Emerson Terms and Conditions of Sale are available upon request. The Emerson logo is a trademark and service mark of Emerson Electric Co. Rosemount is a mark of one of the Emerson family of companies. All other marks are the property of their respective owners.

ROSEMOUNT™

