

## Visual indicator Bettis RPE-Series actuators

### Description

Bettis RPE-Series actuators have a large visual position indicator which allows clear indication of the valve's position at almost any position.

Bettis RPE-Series indicator is designed for position indication of actuators mounted "in line" with the pipe line and mounted "cross line" with the pipe line.

Conversion is easily done by turning the indicator 90° and reassemble back in place.

By default, the position indicator will be mounted "in line".

### Specifications:

#### Materials:

- Indicator knob: ABS, Black
- Indicator arrow: ABS, White
- Indicator screw: SS Head cap screw M6x12

### Center piece of large indicator.

The large indicator, for sizes 600-4000, is designed with a press fitting onto the pinion top. This way, the indicator will stay also on the pinion top without the indicator screw fitted. This press fitting feature together with the option to punch out the center piece of the vane of the large indicator, offers a passageway for a switch box or positioner shaft, up to a diameter of 20mm (0.787").

Ø 20mm (0.787")

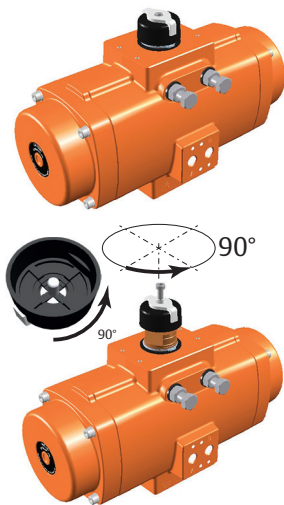


Punched out center piece

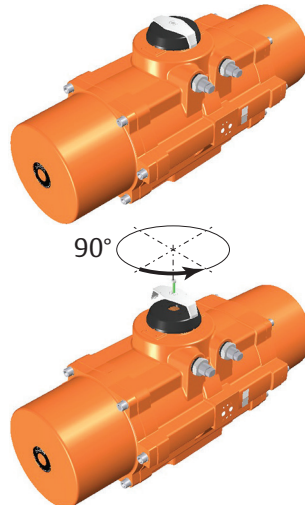


### Indicator mounting "In-line"

Size 12 - 350



Size 600 - 4000



### Indicator mounting "Across Line"

