

MODEL NO.

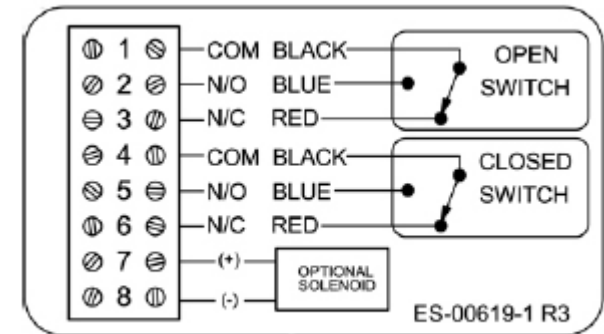
**TVL-M2WFNPM**

PRODUCT LINE

**Discrete Valve Monitor**

SPECIFICATIONS

<b>Model</b>	TVL, epoxy-coated A360 Aluminum base and lid
<b>Bus/Sensor</b>	(2) Mech SPDT (10A@250VAC)
<b>Area Classification</b>	No approvals Nema 4, 4x IP68
<b>Visual Display</b>	Flat Top, 90° Green Open / Red Closed Skirt indicator
<b>Shaft</b>	NAMUR, 304 Stainless Steel
<b>Conduit Entries</b>	(2) 1/2" npt
<b>O-rings</b>	Silicone
<b>Temperature Rating</b>	-20°C to 40°C



Current as of Jan 9, 2015 - subject to change without notice

**TOPWORX**

TopWorx, Inc.  
3300 Fern Valley Rd.  
Louisville, KY 40213

(502) 969-8000 ph.  
(502) 969-5911 fax  
www.topworx.com