

# Rosemount Magnetic Vessel Mount

## for Rosemount Wireless ET210, ET310, and ET310C Corrosion Transmitters



- Alternative mounting used for larger tanks and vessels.
- Compatible with the following Rosemount Wireless Corrosion Transmitters:
  - ET210
  - ET310
  - ET310C
- Compatible with piping ranging in size from NPS 30 to Flat.

# Magnetic Vessel Mount for Rosemount Wireless ET210, ET310 & ET310C Corrosion Transmitters

## Introduction

The Magnetic Vessel Mount for Rosemount Wireless Corrosion Transmitters allows installation of compatible transmitters on large diameter piping and vessels which are not suitable for attachment with the standard strap mounting.

If desired, vessel mount installation can be done during operation of the vessel or tank.

## Magnetic vessel mount box contents

Quantity	Item description
1	Magnetic mount
2	Transmitter adapter (two parts)
4	Securing bolt
1	Lanyard

## Ordering information

### Optimizing lead time

The starred offerings (★) represent the most common options and should be selected for the fastest delivery times. The non-starred offerings are subject to additional delivery lead times.

**Table 1: Ordering information**

Part number	Description	
PERMA-2005-0005	Magnetic vessel mount for Rosemount ET210, ET310, and ET310C Corrosion Transmitters	★

---

## Contents

Magnetic Vessel Mount for Rosemount Wireless ET210, ET310 & ET310C Corrosion Transmitters ..... 2

Ordering information.....2

Specifications..... 3

Dimensional drawing.....4

# Specifications

## Physical specifications

### Material selection

Emerson provides a variety of Rosemount products with various product options and configurations, including materials of construction that can be expected to perform well in a wide range of applications. The product information presented is intended as a guide for the purchaser to make an appropriate selection for the application. It is the purchaser's sole responsibility to make a careful analysis of all process parameters (such as all chemical components, temperature, pressure, flow rate, abrasives, contaminants, etc.), when specifying product materials, options, and components for the particular application. Emerson is not in a position to evaluate or guarantee the compatibility of the process fluid or other process parameters with the product options, configuration, or materials of construction selected.

### Materials of construction

**Table 2: Materials of construction**

Specificaton type	Magnetic vessel mount
Base material	PPS
Lanyard	SS316
Weight	0.6 kg

## Performance specifications

### Temperature limits

Operating temperature	-40 °F to +320 °F -40 °C to +160 °C
Storage temperature	-22 °F to +167 °F -30 °C to +75 °C

### Humidity limits

0 - 100 percent relative humidity

### Pipe diameter

Minimum	NPS 30
Maximum	Flat surface

### Compatible vessel/pipe materials

Carbon steel

### External coating thickness

Maximum 0.040 in. (1 mm)

### Transmitter compatibility

Rosemount Wireless ET210 Corrosion Transmitter

Rosemount Wireless ET310 Corrosion Transmitter  
Rosemount Wireless ET310C Corrosion Transmitter

# Dimensional drawing

**Note**  
Dimensions are in millimeters [inches].

**Figure 1: Top view**

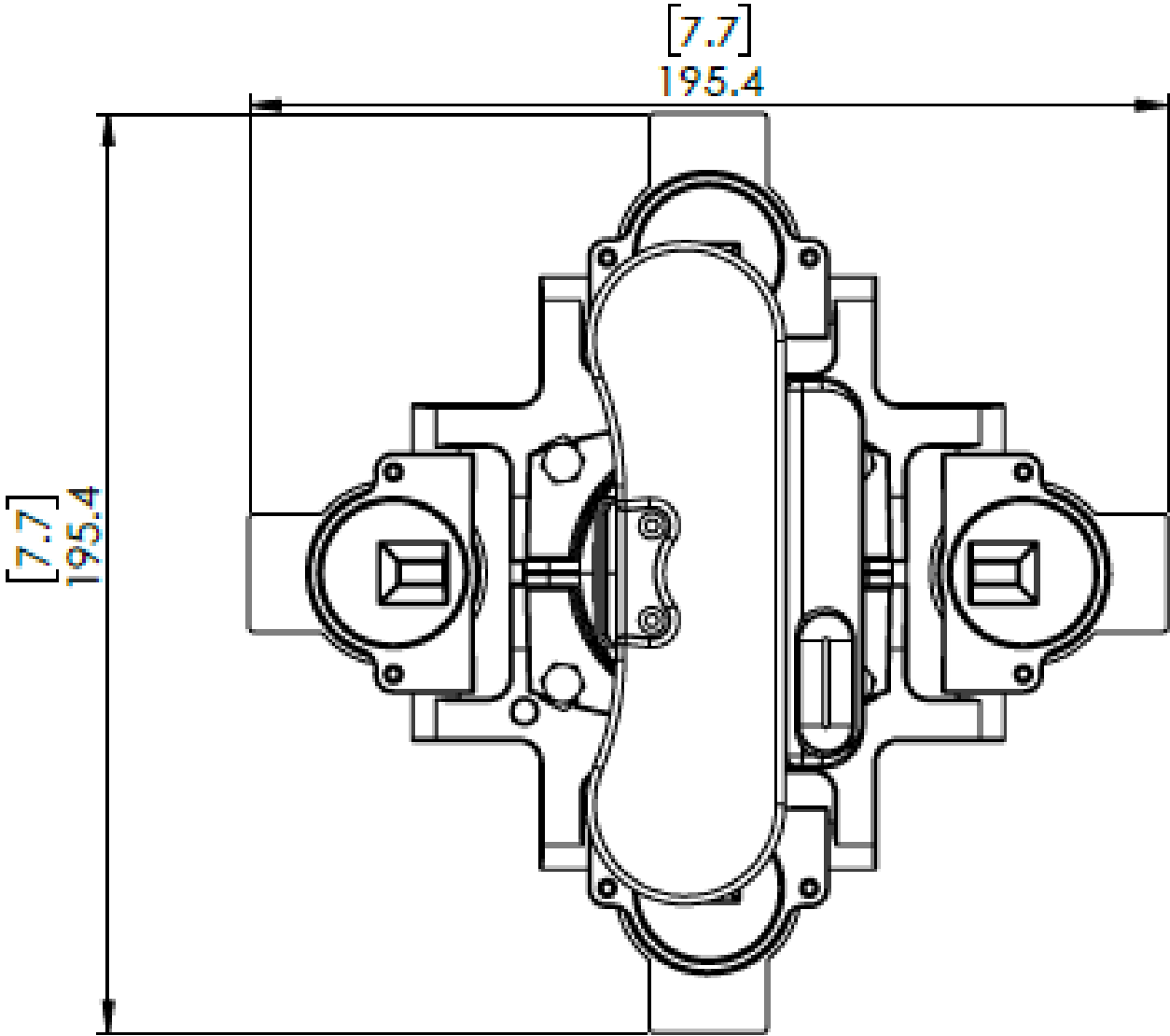


Figure 2: ET210 Front view

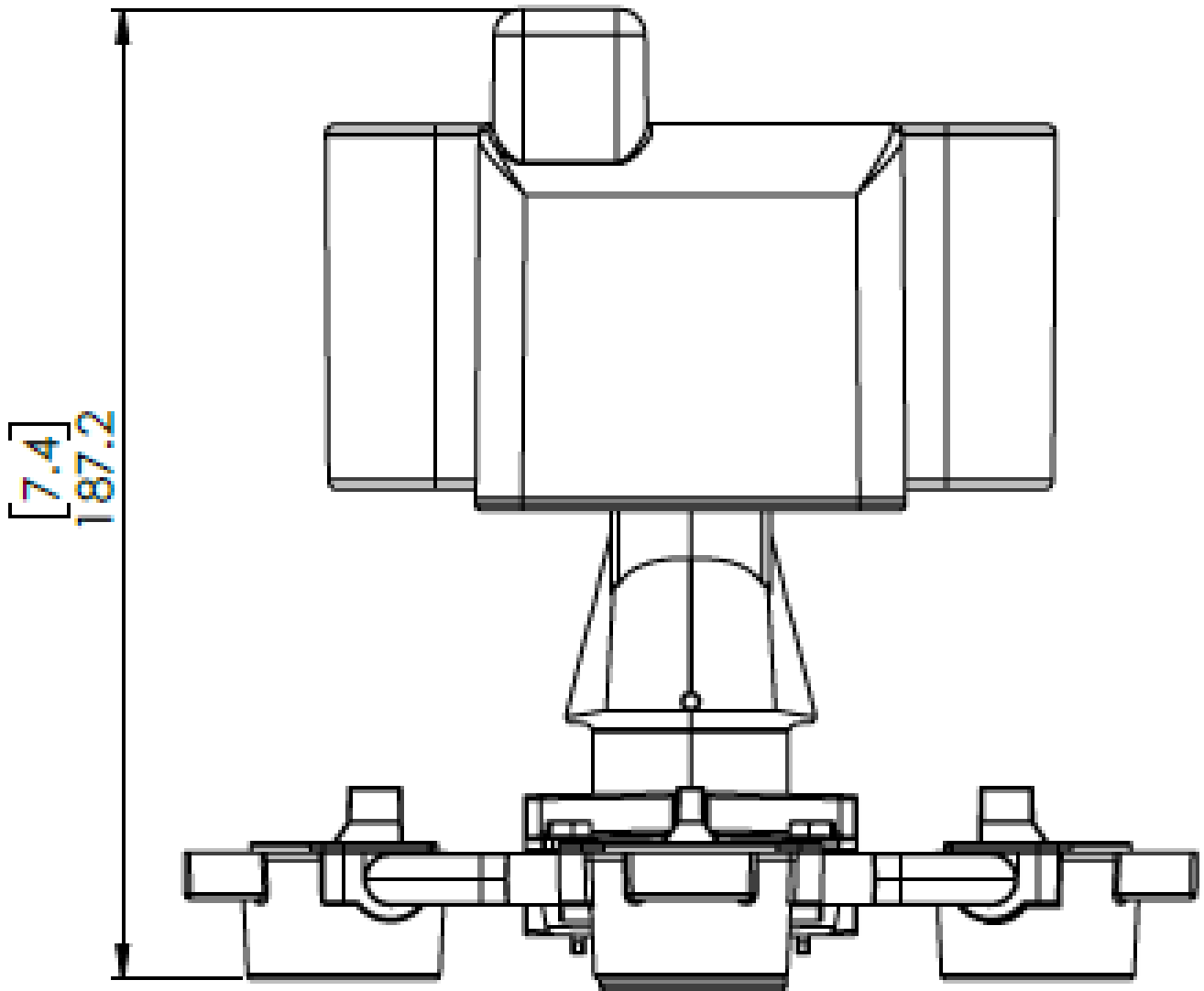
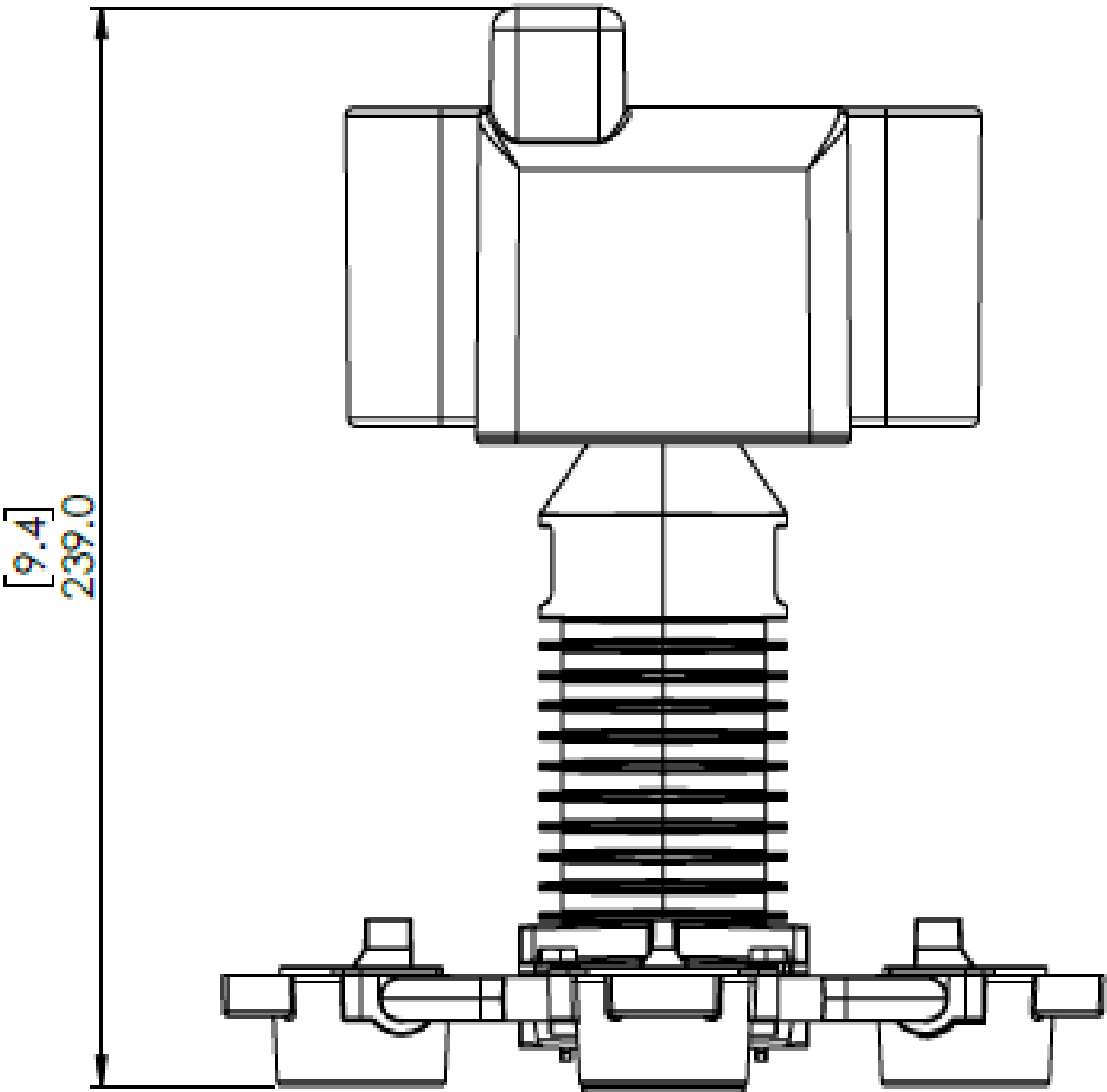


Figure 3: ET310/ET310C Front view





For more information: [Emerson.com/global](https://emerson.com/global)

©2024 Emerson. All rights reserved.

Emerson Terms and Conditions of Sale are available upon request. The Emerson logo is a trademark and service mark of Emerson Electric Co. Rosemount is a mark of one of the Emerson family of companies. All other marks are the property of their respective owners.