

PACSafe Interface Modules for Light Curtains

Reliable, Fast, and Simple Safety

Emerson PACSafe Interface Modules provide isolated safety output contacts for light curtains and other primary safety devices with External Device Monitoring (EDM). Featuring 6 amp hard contact outputs, these modules are an integral part of a complete safety solution.

Reliable and Fast Performance

PACSafe Interface Modules operate on 24 VDC inputs and provide isolated redundant output channels for interfacing DC safety controls (such as safety light curtains or other safety modules) to safety circuits. The outputs of the modules follow the action of the safety outputs from the primary safety device which control it, within a 20ms switching delay time. Normally open outputs are each rated for up to 6 amps, 250 VAC/ 24VDC. A series connection of normally closed contacts provides monitoring and forced-guided contacts allow the safety device to detect failures.

Featuring an enclosure designed to withstand temperature, humidity, and vibration, PACSafe Interface Modules will work when and where you need them.

Simple Installation

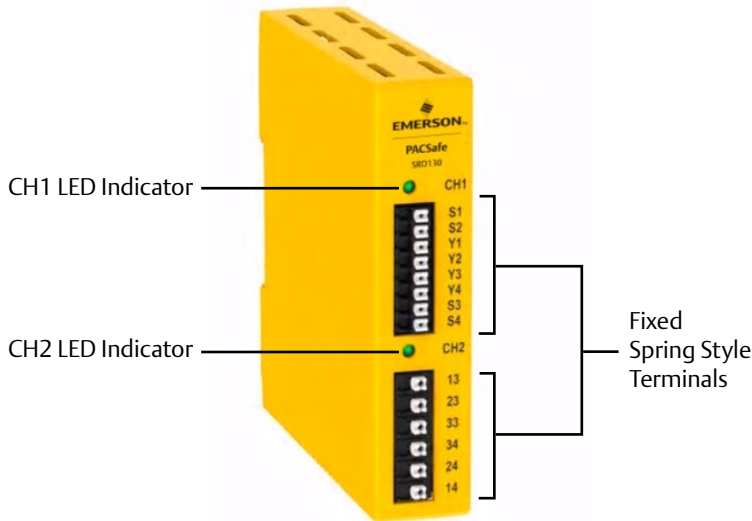
With preset functionality, PACSafe Interface Modules make installation quick and easy. No configuration is needed so you can connect to light curtains right out of the box and begin creating your basic safety solution immediately.



Total Safety Solution

PACSafe Interface Modules are part of Emerson's comprehensive machine safety portfolio. These Safety Relay Modules, when integrated with Emerson's PACSafe Configurable Safety Controllers and accessories, connect seamlessly with the rest of Emerson's PACSystems and PACMotion standard control solutions. Portfolio options include E-stop monitoring, muting safety, and safety mats. With all of these possibilities, PACSafe brings advanced machine safety to Emerson's comprehensive portfolio as your complete automation provider.

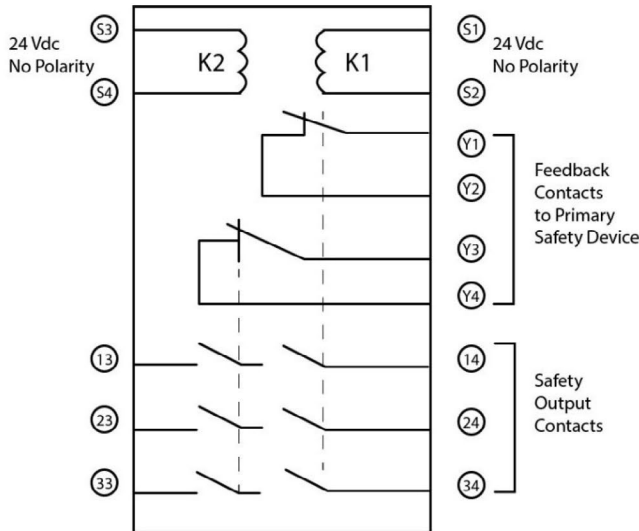
Features and Indicators



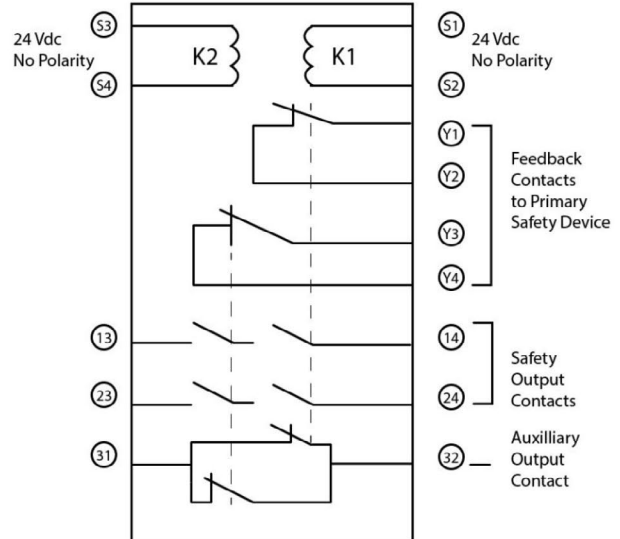
- 24 VDC operation
- Normally closed outputs for connection to the primary safety device’s monitoring input
- 22.5 mm (0.9in) DIN-rail mountable housing
- Standard push-in spring clamp connectors mean quick, easy, toolless installation.

PACSafe Interface Module Internal Diagrams

SRD130



SRD121



Specifications

| | IC225SRD130 | IC225SRD121 |
|---------------------------------------|--|---------------------------|
| Device Type | Safety Relay | |
| Safety Module Type | Interface Module | |
| LCD Display | No | |
| Expandable | No | |
| Dimension | 97.5h x 100w x 22.5d mm | |
| Relative Humidity | 90% @ 50° C | |
| Max Operating Temperature | 50° C | |
| Input Operation | Simultaneous or Concurrent | |
| Number of Safe Inputs | 1 Dual (Typ controlled by an OSSD Pair) | |
| Input Configuration | Qty 2, 24VDC | |
| Safety Inputs (Solid-State) | 50 mA @ 24 V DC +/- 15% Each Point | |
| Independently Controlled Safe Outputs | 1 | |
| Output Configuration | 3 NO | 2 NO |
| Non-Safe Output Configuration | - | 1 NC |
| Non-Safe Output Rating | - | Relay - 6 A @240VAC/24VDC |
| Safe Output Rating | Relay - 6 A @240VAC/24VDC | |
| Splittable Safe Output | No | |
| Mechanical Life | 20 million operations | |
| Power Consumption | 0.1 A | |
| Response Time | 20mS (max.) | |
| Supply Voltage | 24 V dc +/- 15% | |
| Type | Spring Clamp | |
| Removable Terminals | No | |
| Vibration | 10-55 Hz at 0.35 mm | |
| Electrical Life | 1,000,000 cycles @ 450 VA | |
| IP Rating | IP20 | |
| PL Rating | e | |
| Safety Category Rating | 4 | |
| SIL Rating | 3 | |
| SISTEMA Value | PFHd = 2.1 x 10 ⁻¹⁰ (Probability of a dangerous Failure per Hour) | |

Ordering Information

| Part Number | Description |
|-------------|---|
| IC225SRD130 | PACSafe Interface Module for use with light curtains, 3 normally open redundant-outputs |
| IC225SRD121 | PACSafe Interface Module for use with light curtains, 3 normally open redundant-outputs and 1 normally closed non-safety auxiliary output |

WARNING: Not for use as a safety monitoring module

1. DO NOT connect E-stop switches, 2-hand control actuators/switches, safety interlock switches, or similar devices directly to this Interface Module.
2. ALWAYS connect terminals Y1-Y2 and Y3-Y4 of this Interface Module to the monitoring input of the primary safety device that controls it.

This Interface Module does not have the circuitry required to perform a self-check. A single fault inside the unit or in external devices (like switches or emergency stop buttons) can go undetected and create an unsafe condition. Failure to properly connect this Interface Module to a primary safety device with a monitoring function could result in serious injury or death.

The user is responsible for satisfying all local, state, and national laws, rules, codes, and regulations relating to the use of this product and its application. Every effort has been made to provide complete application, installation, operation, and maintenance instructions. Please contact an Applications Engineer with any questions regarding this product.

The user is responsible for making sure that all machine operators, maintenance personnel, electricians, and supervisors are thoroughly familiar with and understand all instructions regarding the installation, maintenance, and use of this product, and with the machinery it controls. The user and any personnel involved with the installation and use of this product must be thoroughly familiar with all applicable standards, some of which are listed within the specifications. Emerson Intelligent Platforms. makes no claim regarding a specific recommendation of any organization, the accuracy or effectiveness of any information provided, or the appropriateness of the provided information for a specific application.

United State Office

Emerson Automation Solutions
Intelligent Platforms, LLC
2500 Austin Dr
Charlottesville, VA

China Office

Emerson Automation Solutions Intelligent
Platforms (Shanghai) Co., Ltd
No.1277, Xin Jin Qiao Rd, Pudong,
Shanghai, China, 201206

Singapore Office

Emerson Automation Solutions Intelligent
Platforms Asia Pacific Pte. Ltd.
1 Pandan Cres,
Singapore, 128461

Germany Office

Emerson Automation Solutions
ICC Intelligent Platforms GmbH
Memminger Straße 14
Augsburg, Germany 86159

Brazil Office

Emerson Automation Solutions
Av. Hollingsworth, 325 – Iporanga
Sorocaba – SP, 18087-105

India Offices

Emerson Automation Solutions
Intelligent Platforms Pvt. Ltd.,
Building No.8, Ground Floor
Velankani Tech Park, No.43
Electronics City Phase I, Hosur Rd
Bangalore-560100

Americas Support – Technical and Commercial

Phone: 1-888-565-4155 or 1-434-214-8532 (if toll free 800 option is unavailable)

Email for Technical Support: support.mas@emerson.com

Email for Commercial Support: customercare.mas@emerson.com

Primary language of support: English

Europe, Middle East, & Africa Support – Technical and Commercial

Phone: +800-4-444-8001

or +420-225-379-328 (if toll free 800 option is unavailable or dialing from a mobile telephone)

Email for Technical Support: support.mas.emea@emerson.com

Email for Commercial Support: customercare.emea.mas@emerson.com

Primary languages of support: English, German, Italian, Spanish

Asia Support – Technical and Commercial

Phone: +86-400-842-8599 for Greater China

+65-6955-9413 (All Other Countries)

Email for Technical Support: support.mas.apac@emerson.com

Email for Commercial Support Asia: customercare.cn.mas@emerson.com

Primary languages of support: Chinese, English

Support Website: www.emerson.com/iac-support

Home Website: www.Emerson.com/industrial-automation-controls

©2021 Emerson. All rights reserved.

The Emerson logo is a trademark and service mark of Emerson Electric Co. All other marks are property of their respective owners. The contents of this publication are presented for information purposes only, and while effort has been made to ensure their accuracy, they are not to be construed as warranties or guarantees, express or implied, regarding the products or services describe herein or their use or applicability. All sales are governed by our terms and conditions, which are available on request, We reserve the right to modify or improve the designs or specifications of our products an any time without notice.

