

Rosemount™ 9930 Magnetic Level Indicator



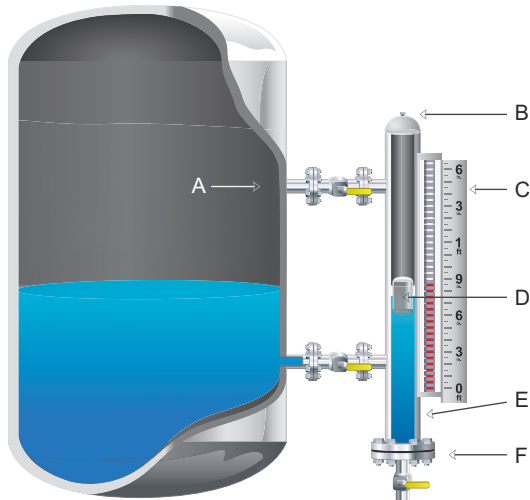
- Visual level indication to 100 ft. (30 m)
- Designed to ASME B31.3 Process Piping Code. ASME B31.1 Power Piping Code is available upon request
- Optional NACE
- Minimal leak points as compared to sight glasses
- No process liquid in contact with indicator glass
- Designed for both gas/liquid (top level) and/or liquid/liquid (interface) measurements
- Optional construction is available for cryogenic, high-temperature, high-pressure, and corrosive applications
- Dual chamber design optimized for use with the Rosemount 5300, 3308, and 3300 Guided Wave Radars also available

Overview

Measurement principle

Rosemount 9930 Magnetic Level Indicator consists of a chamber, a magnet equipped float which rises and lowers with the fluid level, and an indicator mounted to the chamber.

Figure 1: Overview



- A. Process connections
- B. Vent
- C. Indicator
- D. Float
- E. Float chamber
- F. Drain

The indicator houses a column of small flags, which indicate the level of the fluid in the chamber, based on the position of the float. As the fluid level rises and lowers, the float rises and lowers as well, and the flags are tripped from one orientation to the other; typically the red side indicates the liquid level and the silver side indicates the vapor space.

As the float rises and falls with the process level, the individual flags within the indicator will be triggered to flip due to the magnetic field within the float. It will also trigger any externally mounted control devices such as magnetostrictive transmitters and magnetic switches, providing a signal back to the control system.

Contents

Overview.....	2
Ordering information.....	4
Specifications.....	14
Dimensional drawings.....	17

Application examples

- Turbulent tanks
- Heat exchangers
- Boiler applications
- Site glass replacement
- Separators
- Acid storage tanks

Test and inspection

All Rosemount chambers can be hydrostatically tested to 1.5 times the Maximum Allowable Working Pressure (MAWP) of the specified flange/pressure rating prior to shipment to ensure pressure tolerance.

Additional testing and documentation, such as Material Traceability Reports (MTRs), radiography, hydrostatic pressure tests, Positive Material Identification (PMI), dye penetrant, or witness testing are available for all other testings consult the factory.

Ordering information

Rosemount 9930 Magnetic Level Indicator (MLI) ordering information



Specification and selection of product materials, options, or components must be made by the purchaser of the equipment, see Rosemount Level Indicator [Quick Data Sheet](#). See [Material selection](#) for more information.

[VIEW PRODUCT >](#)

Model

Code	Description
9930	Rosemount 9930 Magnetic Level Indicator

Measurement type

For flashing applications, kindly consult factory.

Code	Description
0	Liquid level (gas/liquid interface)
2	Submerged interface (liquid/liquid interface)
4	Flashing application (consult factory for model selection)

Float selection

Table 1: Liquid level (gas/liquid interface) applications, measurement type code 0

Code	Description				
	Float material	Minimum SG	Float max. operating pressure in psig (bar) at 100 °F (37.8 °C)	Chamber size and schedule	"A" Dimension in inches (mm)
76	316 Stainless steel	0.76	167 (11.5)	2-in. S10	12.0-in. (305 mm)
78	316 Stainless steel	0.78	440 (30.3)	2-in. S10	12.0-in. (305 mm)
81	316 Stainless steel	0.81	662 (45.6)	2-in. S10	12.0-in. (305 mm)
58	316 Stainless steel	0.58	94 (6.4)	2 ½-in. S10	12.0-in. (305 mm)

Table 1: Liquid level (gas/liquid interface) applications, measurement type code 0 (continued)

Code	Description				
60	316 Stainless steel	0.60	176 (12.1)	2 ½-in. S10	12.0-in. (305 mm)
62	316 Stainless steel	0.62	284 (19.5)	2 ½-in. S10	12.0-in. (305 mm)
83	316 Stainless steel	0.83	486 (33.5)	2 ½-in. S10	12.0-in. (305 mm)
86	316 Stainless steel	0.86	948 (65.3)	2 ½-in. S10	12.0-in. (305 mm)
54	Titanium	0.54	178 (12.2)	2 ½-in. S10	12.0-in. (305 mm)
59	Titanium	0.59	471 (32.4)	2 ½-in. S10	12.0-in. (305 mm)
61	Titanium	0.61	740 (51.0)	2 ½-in. S10	12.0-in. (305 mm)
68	316 Stainless steel	0.68	154 (10.6)	2 ½-in. S40	12.0-in. (305 mm)
82	316 Stainless steel	0.82	232 (15.9)	2 ½-in. S40	12.0-in. (305 mm)
87	316 Stainless steel	0.87	518 (35.7)	2 ½-in. S40	12.0-in. (305 mm)
88	316 Stainless steel	0.88	930 (64.1)	2 ½-in. S40	12.0-in. (305 mm)

Code	Description				
	Float material	Minimum SG	Float max. operating pressure in psig (bar) at 100 °F (37.8 °C)	Chamber size and schedule	"A" Dimension in inches (mm)
40	316 Stainless steel	0.40	53 (3.6)	3-in. S10	18-in. (457 mm)
69	Titanium	0.69	2300 (158.6)	2 ½-in. S40	16-in. (406 mm)
63	Titanium	0.63	2300 (158.6)	2 ½-in. S40	20-in. (508 mm)
45	Titanium	0.45	2100 (144.8)	3-in. S10	20-in. (508 mm)
55	Titanium	0.55	2100 (144.8)	3-in. S40	14-in. (356 mm)
49	Titanium	0.49	2100 (144.8)	3-in. S40	17-in. (432 mm)
46	Titanium	0.46	2100 (144.8)	3-in. S40	20-in. (508 mm)
41	Titanium	0.41	2100 (144.8)	3-in. S40	25-in. (635 mm)
74	Titanium	0.74	3400 (234.4)	3-in. S80	20-in. (508 mm)
67	Titanium	0.67	3400 (234.4)	3-in. S80	25-in. (635 mm)
85	Titanium	0.85	3400 (234.4)	3-in. S160	16-in. (406 mm)
73	Titanium	0.73	3400 (234.4)	3-in. S160	20-in. (508 mm)
64	Alloy 400	0.64	90 (6.2)	3-in. S10	12-in. (305 mm)
80	C-276	0.80	135 (9.3)	2-in. S10	12-in. (305 mm)
89	C-276	0.89	425 (29.3)	2-in. S10	12-in. (305 mm)

Table 2: Submerged interface (liquid/liquid interface) measurement type code 2

Code	Description				
	Float material	Minimum delta SG	Float max. operating pressure in psig (bar) at 100 °F (37.8 °C)	Chamber diameter and schedule	"A" Dimension in inches (mm)
37	316 Stainless steel	0.37	662 (45.6)	2-in. S10	12-in. (305 mm)

Table 2: Submerged interface (liquid/liquid interface) measurement type code 2 (continued)

Code	Description				
21	316 Stainless steel	0.21	948 (65.3)	2 ½-in. S10	12-in. (305 mm)
23	316 Stainless steel	0.23	232 (15.9)	2 ½-in. S40	12-in. (305 mm)
10	316 Stainless steel	0.10	53 (3.6)	3-in. S10	12-in. (305 mm)
28	Titanium	0.28	2300 (158.6)	2 ½-in. S40	12-in. (305 mm)
20	Titanium	0.20	2300 (158.6)	2 ½-in. S40	12-in. (305 mm)
15	Titanium	0.15	2100 (144.8)	3-in. S10	12-in. (305 mm)
14	Titanium	0.14	2100 (144.8)	3-in. S40	12-in. (305 mm)
11	Titanium	0.11	2100 (144.8)	3-in. S40	12-in. (305 mm)
30	Titanium	0.30	3400 (234.4)	3-in. S80	12-in. (305 mm)
29	Titanium	0.29	3400 (234.4)	3-in. S160	12-in. (305 mm)
38	C-276	0.38	135 (9.3)	2-in. S10	12-in. (305 mm)
13	Alloy 400	0.13	90 (6.2)	3-in. S10	12-in. (305 mm)

Mounting style

Figure 2 for mounting options or consult factory for custom mounting.

Code	Description
AA	ANSI/ASME B16.5 Class 150
AB	ANSI/ASME B16.5 Class 300
AC	ANSI/ASME B16.5 Class 600
AD	ANSI/ASME B16.5 Class 900
AE	ANSI/ASME B16.5 Class 1500
AF	ANSI/ASME B16.5 Class 2500

Access flange type

Code	Description
0	Not applicable (Style L only)
1	Raised Face (RF) Weld Neck
2	RF Slip-On
4	Ring Type Joint (RTJ) Weld Neck

Indicator scale unit of measure

Code	Description
E	Imperial (English), inches
M	Metric, millimeters

Mounting dimension (center-to-center for style B, C, D, L, and top-to-bottom for style A)

Maximum mounting dimension per single unit is 20 ft. (6 m) for Style A and 18 ft. (5.5 m) for Style B/C/D.

Code	Description
XXXXX	XXX.XX inches or XXXXX mm
	04863 = 48.63 inches or 04863 mm

Chamber material

Code	Description
S	316/316L Stainless steel (standard)
1	317 Stainless steel
2	321 Stainless steel
7	347 Stainless steel
X	Special (consult factory)

Side process connection design

Code	Description
D	Drill (Set-On)
E	Extrusion (limited to chamber size S10 or S40 with 1½-in. or 2-in. NPS process connection size)
T	Buttweld Tee (ASME B16.9)
N	None (Style A)
X	Special (consult factory)

Process connection size (NPS)

Code	Description
0	Same diameter as chamber (Style A only)
8	½-in.
9	¾-in.
1	1-in.
6	1 ½-in.
2	2-in.
3	3-in.
4	4-in.
X	Special (consult factory)

Process connection rating and type

Code	Process connection rating	Process connection type
ZZ	Same as instrument rating (Style A only)	Z
AA	ANSI/ASME B16.5 Class 150	1, 2, 3, 4, Y
AB	ANSI/ASME B16.5 Class 300	1, 2, 3, 4, Y
AC	ANSI/ASME B16.5 Class 600	1, 2, 3, 4, Y
AD	ANSI/ASME B16.5 Class 900	1, 2, 3, 4, Y
AE	ANSI/ASME B16.5 Class 1500	1, 2, 3, 4, Y
AF	ANSI/ASME B16.5 Class 2500	1, 2, 3, 4, Y
FA	ANSI/ASME B16.11 Class 3000	A, C, E, G, H, K, L
FB	ANSI/ASME B16.11 Class 6000	A, C, E, G, H, K, L
SA	ANSI/ASME B16.9 STD	M, P, N
SB	ANSI/ASME B16.9 XS	M, P, N
SC	ANSI/ASME B16.9 XXS	M, P, N

Process connection type and rating

Code	Process connection type	Process connection rating
Z	Same as access flange (Style A only)	ZZ
1	RF Weld Neck	AA, AB, AC, AD, AE, AF
2	RF Slip-On	AA, AB, AC, AD, AE, AF
4	RTJ Weld Neck	AA, AB, AC, AD, AE, AF
Y	Raised face lap joint (RFLJ)	AA, AB, AC, AD, AE, AF
A	Nipple - Plain end	FA, FB, FC
C	Nipple - Male NPT	FA, FB, FC
E	Coupling - Female NPT	FA, FB, FC
G	Coupling - SW	FA, FB, FC

Process connection schedule

Process connection schedule needs to be equal or greater than the chamber schedule.

Code	Description
0	Same schedule as chamber (Style A only)
1	S10
4	S40
8	S80
6	S160

Process connection material

Code	Description
0	Same material as chamber
S	316/316L Stainless steel (standard)
2	321 Stainless steel
7	347 Stainless steel
4	304/304L Stainless steel
1	317 Stainless steel
C	Carbon steel
X	Special (consult factory)

Top of the chamber

Code	Description
B	Blind flange
D	Dome cap
F	Flat cap
Z	Open flange (Style A only)
X	Special (consult factory)

Top vent size

Code	Description
0	No top vent (Style A only)
8	½-in.
9	¾-in.
1	1-in.
X	Special (consult factory)

Top vent type

Code	Description
Z	No top vent (Style A only)
A	NPT tap only with plug
C	SW tap only
D	Flanged
F	Coupling - FNPT with plug
H	Coupling - SW
X	Special (consult factory)

Top vent schedule or rating

Code	Description
Z ⁽¹⁾	No top vent (Style A only)
1	S10
4	S40
8	S80
6	S160
3	Class 3000
5	Class 6000

(1) Must select for Top Vent type Z Option Z.

Bottom of the chamber

Code	Description
B	Blind flange
D	Dome cap
F	Flat cap
Z	Open flange with stop plate (Style A only)
X	Special (Consult Factory)

Bottom drain size

Code	Description
0	No bottom drain
8	½-in.
9	¾-in.
1	1-in.
X	Special

Bottom drain type

Code	Description
Z	No bottom drain (Style A only)
A	NPT tap only with plug
C	SW tap only
D	Flanged
F	Coupling - FNPT with plug
H	Coupling - SW
X	Special (consult factory)

Bottom drain schedule or rating

Code	Description
Z	No bottom drain (Style A only)
1	S10
4	S40
8	S80
6	S160
3	Class 3000
5	Class 6000

Indicator

Code	Description
F	Flag
B	Follower (birdie/shuttle)

Scale units

Code	Description
Z	Feet and inches (½-in. increments)
A	Metric (5 mm increments)
B	Percentage (custom increments)
C	Inches only (½-in. increments)
D	+/- (custom increments)
E	Dual (feet and inches, percent)
F	Dual (metric, percent)
X	Special

Indicator enclosure material

Code	Description
0	Anodized aluminum housing with glass
1	Anodized aluminum housing with polycarbonate
2	Anodized aluminum housing with acrylic frost extension
3	Stainless steel housing with glass
5	Stainless steel channel with glass tube
6	Stainless steel channel with polycarbonate tube

Indicator indicator color

Code	Description
Z	Red and silver flags
A	Red and white flags
C	Yellow and black flags
B	Red follower
D	Green follower

Indicator mounting

Code	Description
Z	Standard orientation (180° from process connections)
R	Right mount
L	Left mount
C	Customer specified
Typical model number: L 0 76 C AA 1 E 03600 S E 6 AA 1 1 S D 8 Z Z B 8 Z Z F 03600 Z 0 Z Z	

Order options - must be specified at time of order

Test and inspection

- Hydrostatic pressure test certificate
- Weld inspection
- NDE (non-destructive examination)

Documentation

- Approval and as-built drawings
- Weld procedures
- Quality plans
- Material Traceability Record (MTR)
- Float curves

Accessories

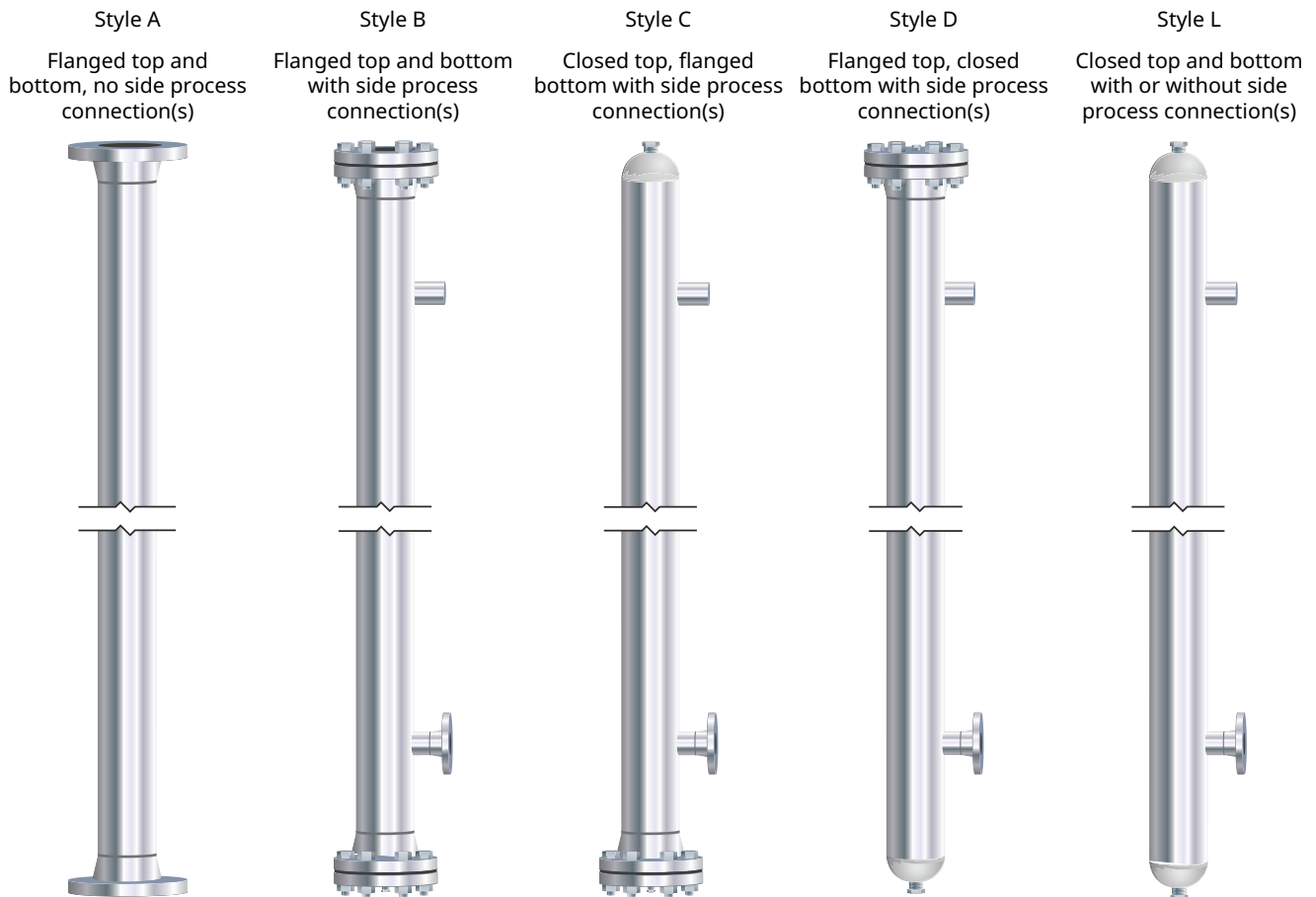
- Valves (vent and drain)
- Insulation blanket
- Heat trace (Steam)
- Heat trace (Electrical)
- Hard shell cryogenic insulation with frost protection
- Chamber support clips

Associated products

- Dual chamber unit with Guided Wave Radar
- Switches
- Magnetostrictive transmitter

Mounting styles

Figure 2: Mounting Styles



Measuring range⁽²⁾

Code	Description
XXXXX	XXX.XX inches or XXXXX mm
	04863 = 48.63 inches or 4863 mm

(2) Should be equal to or smaller than the Mounting dimension. Please provide datum offset using Rosemount Level Indicator [Quick Data Sheet](#).

Specifications

Performance specifications

Resolution

Approximately ¼ -in. resolution

Measuring range

Maximum mounting dimension per single unit is 20 ft. (6 m) for Style A and 18 ft. (5.5 m) for Style B/C/D.

Maximum viscosity

2000 cP

Minimum Specific Gravity (SG)

0.40 (consult factory for lower specific gravities)

Minimum delta SG

0.11

Functional specifications

Temperature rating

-260 °F to 850 °F (-162 °C to 454 °C)

Float pressure rating

Up to 4000 psig (275.8 bar) at 100 °F (38 °C)

Process connection rating

Table 3: Process Connection Rating

Process connection style	ANSI/ASME B16.5						ANSI/ASME B16.11		ANSI/ASME B16.9		
	150	300	600	900	1500	2500	3000	6000	STD	S80	S160
RF Weld Neck	X	X	X	X	X	X					
RF Slip-on	X	X	X	X	X	X					
RF Socket Weld	X	X	X	X	X	X					
RTJ Weld Neck	X	X	X	X	X	X					
RF Lap Joint (RFLJ)	X	X	X	X	X	X					
Coupling - Female NPT							X	X			
Coupling - SW							X	X			
Pipe Nipple									X	X	X

Visual indicator

Visible from 100 ft. (30 m)

Indicator options

- Flag (standard)
- Follower (optional)

Physical specifications

Material selection

Emerson provides a variety of products with various product options and configurations including materials of construction ensuring optimal performance in a wide range of applications. The product information presented is intended to be a guide for the purchaser to make an appropriate selection for the application. It is the purchaser's sole responsibility to make a careful analysis of all process parameters (such as all chemical components, temperature, pressure, flow rate, abrasives, contaminants, etc.), when specifying product, materials, options and components for the particular application. Emerson is not in a position to evaluate or guarantee the compatibility of the process fluid or other process parameters with the product, options, configuration or materials of construction selected.

Chamber design options

Designed to ASME B31.1 or B31.3, or CRN (all provinces). Welding and welder qualification in accordance with ASME Section IX.

- ASME B31.3
- ASME B31.1
- CRN Registration (all provinces)

Note

Welding and welder qualifications in accordance with ASME Section IX.

Process connection sizes

½-in. to 4-in.

Materials of construction

Chamber

- 300 Series stainless steel (standard 316/316L)
- Optional: Other non-ferrous materials that do not exhibit ferro-magnetic properties such as Alloy C-276, CB20, Alloy 600, Alloy 400, and CPVC.

Float

- 316 stainless steel
- Titanium
- Alloy 400
- Alloy C-276
- Special options: CPVC, PTFE coating

Indicator viewing window

Glass or polycarbonate

Gasket

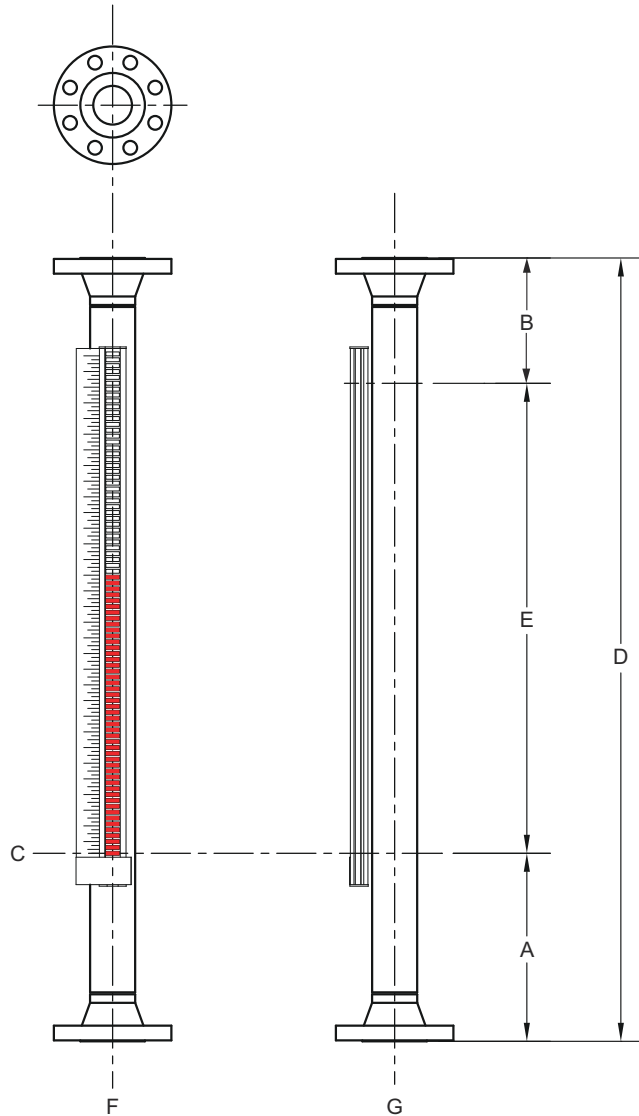
All gauges are shipped complete with 0.125-in. composition gaskets for protection of flanges. Customer is responsible for process compatible gaskets for protection of flanges.

Note

If composition gaskets are not compatible with your process conditions, appropriate gaskets should be used in place of those shipped with the gauge.

Dimensional drawings

Figure 3: Standard MLI - style A

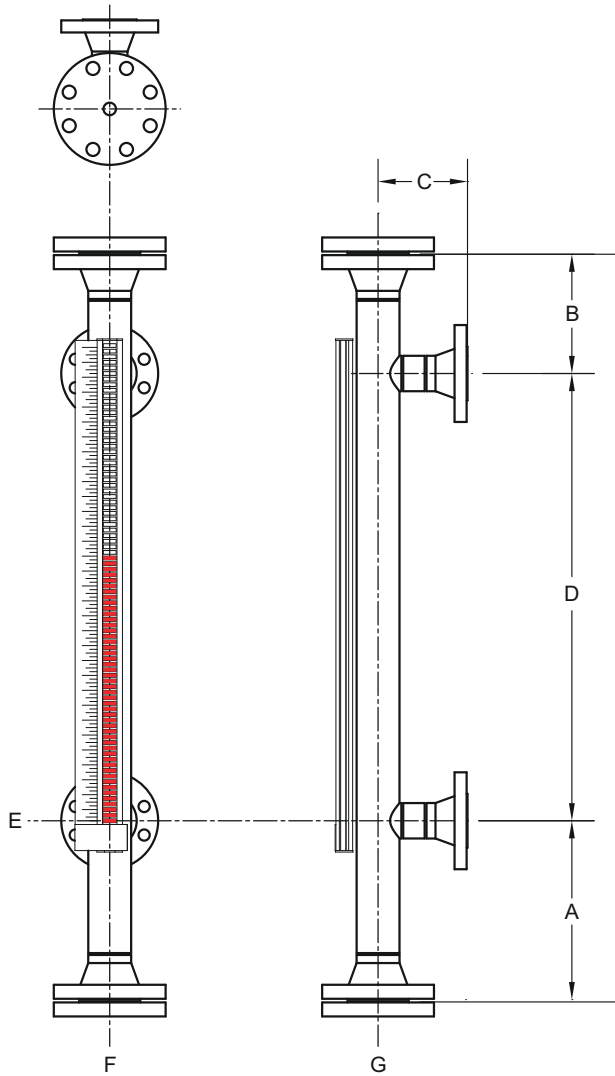


- A. See [CDS](#) for information.
- B. See [CDS](#) for information.
- C. Datum
- D. Mounting dimension
- E. Measuring range
- F. Front view
- G. Right side view

Note

For reference use only. Do not use for construction purposes or as built unless certified by Rosemount. Drawing is generic - see [Rosemount 9930 Magnetic Level Indicator \(MLI\) ordering information](#) for detailed options.

Figure 4: Standard MLI - style B

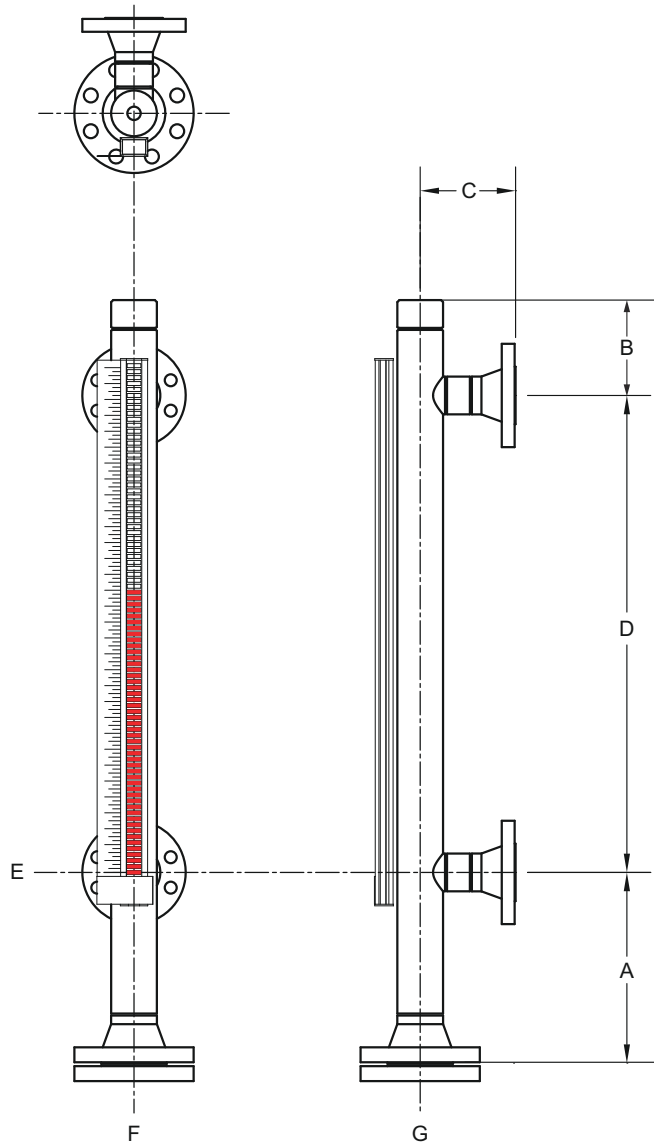


- A. See [CDS](#) for information.
- B. See [CDS](#) for information.
- C. See [CDS](#) for information.
- D. Mounting dimension (center-to-center)
- E. Datum
- F. Front view
- G. Right side view

Note

For reference use only. Do not use for construction purposes or as built unless certified by Rosemount. Drawing is generic - see [Rosemount 9930 Magnetic Level Indicator \(MLI\) ordering information](#) for detailed options.

Figure 5: Standard MLI - style C

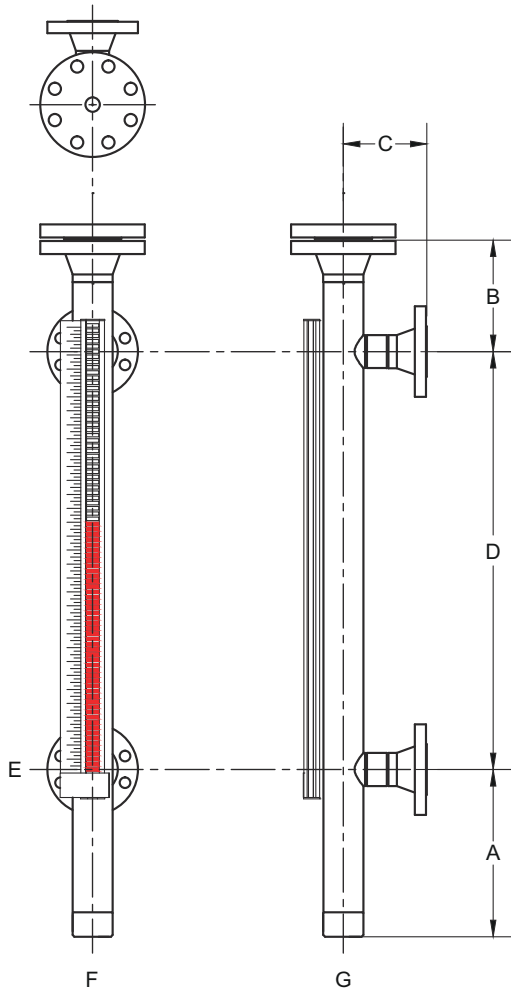


- A. See [CDS](#) for information.
- B. See [CDS](#) for information.
- C. See [CDS](#) for information.
- D. Mounting dimension (center-to-center)
- E. Datum
- F. Front view
- G. Right side view

Note

For reference use only. Do not use for construction purposes or as built unless certified by Rosemount. Drawing is generic - see [Rosemount 9930 Magnetic Level Indicator \(MLI\) ordering information](#) for detailed options.

Figure 6: Standard MLI - style D

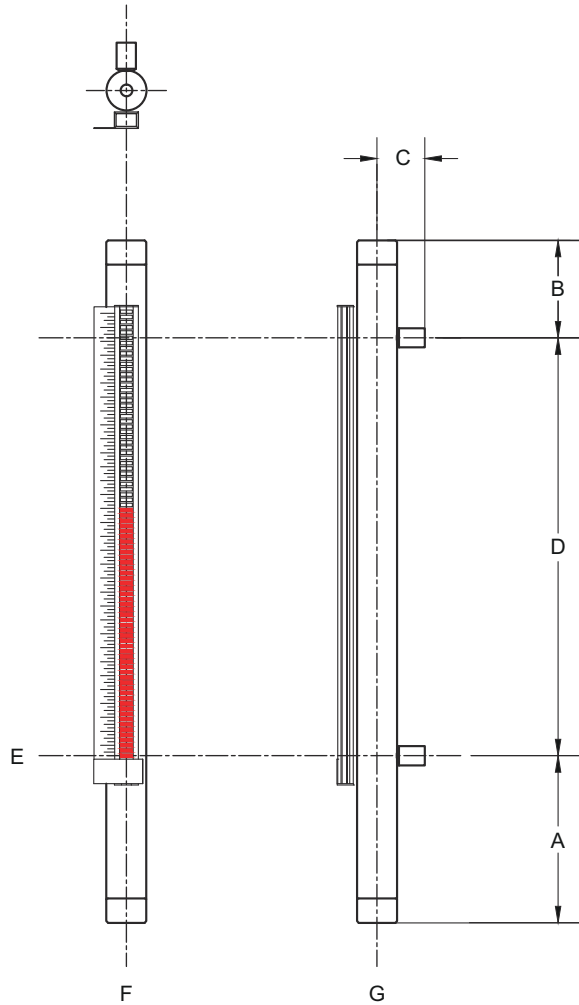


- A. See [CDS](#) for information.
- B. See [CDS](#) for information.
- C. See [CDS](#) for information.
- D. Mounting dimension (center-to-center)
- E. Datum
- F. Front view
- G. Right side view

Note

For reference use only. Do not use for construction purposes or as built unless certified by Rosemount. Drawing is generic - see [Rosemount 9930 Magnetic Level Indicator \(MLI\) ordering information](#) for detailed options.

Figure 7: Standard MLI - style L



- A. See [CDS](#) for information.
- B. See [CDS](#) for information.
- C. See [CDS](#) for information.
- D. Mounting dimension (center-to-center)
- E. Datum
- F. Front view
- G. Right side view

Note

For reference use only. Do not use for construction purposes or as built unless certified by Rosemount. Drawing is generic - see [Rosemount 9930 Magnetic Level Indicator \(MLI\) ordering information](#) for detailed options.

For more information: [Emerson.com/global](https://emerson.com/global)

©2024 Emerson. All rights reserved.

Emerson Terms and Conditions of Sale are available upon request. The Emerson logo is a trademark and service mark of Emerson Electric Co. Rosemount is a mark of one of the Emerson family of companies. All other marks are the property of their respective owners.

ROSEMOUNT™

