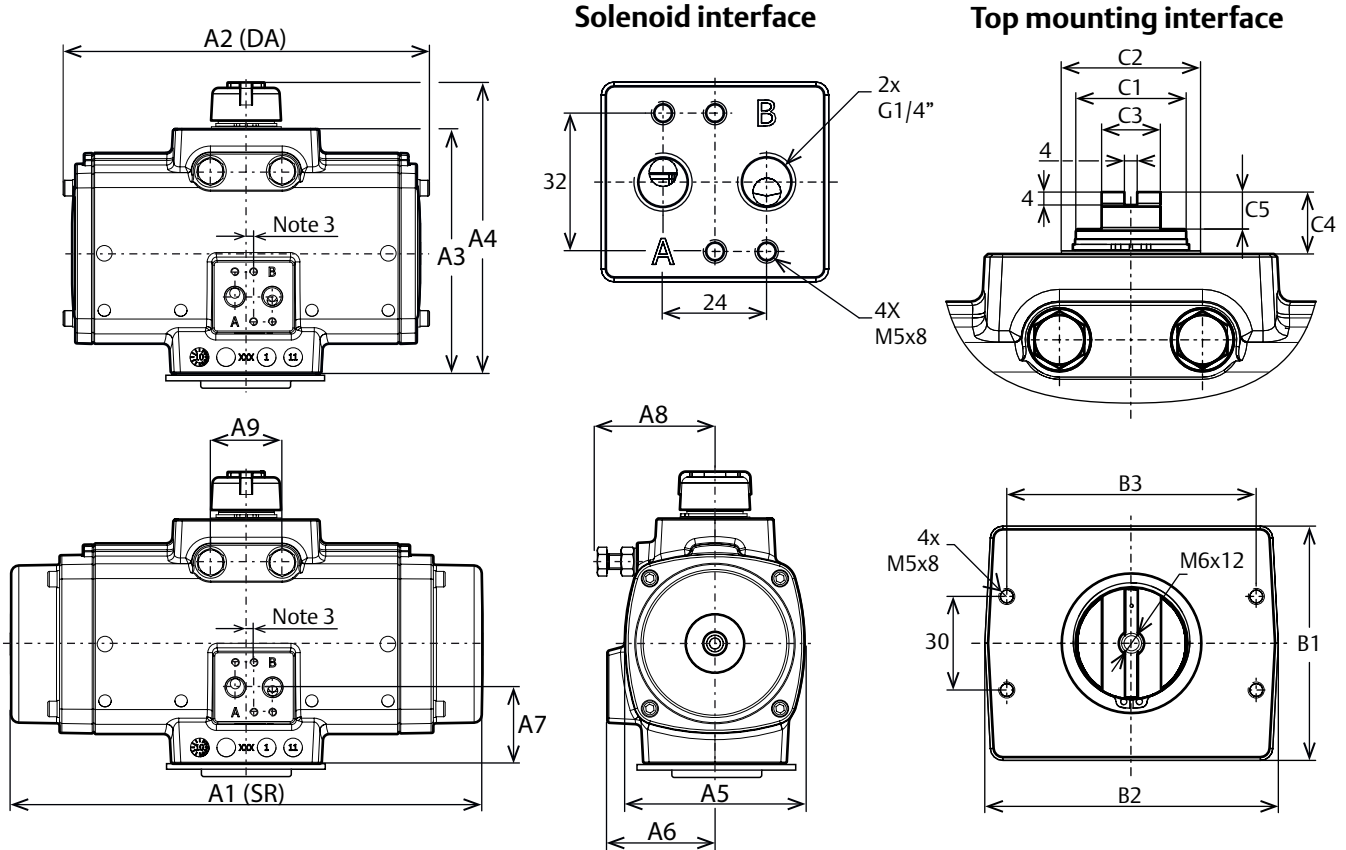


Dimensions - Metric (ISO5211)

Envelope Dimensions - Solenoid and Top Mounting Interface Sizes 25 - 600



Notes:

1. DA = Double-Acting, SR = Spring-Return
2. Solenoid interface and top mounting interface according to VDI/VDE3845 (NAMUR)
3. The solenoid drilling pattern is shifted 4 mm for size 0025 and 2 mm for size 0040 vs the centerline of the actuator.

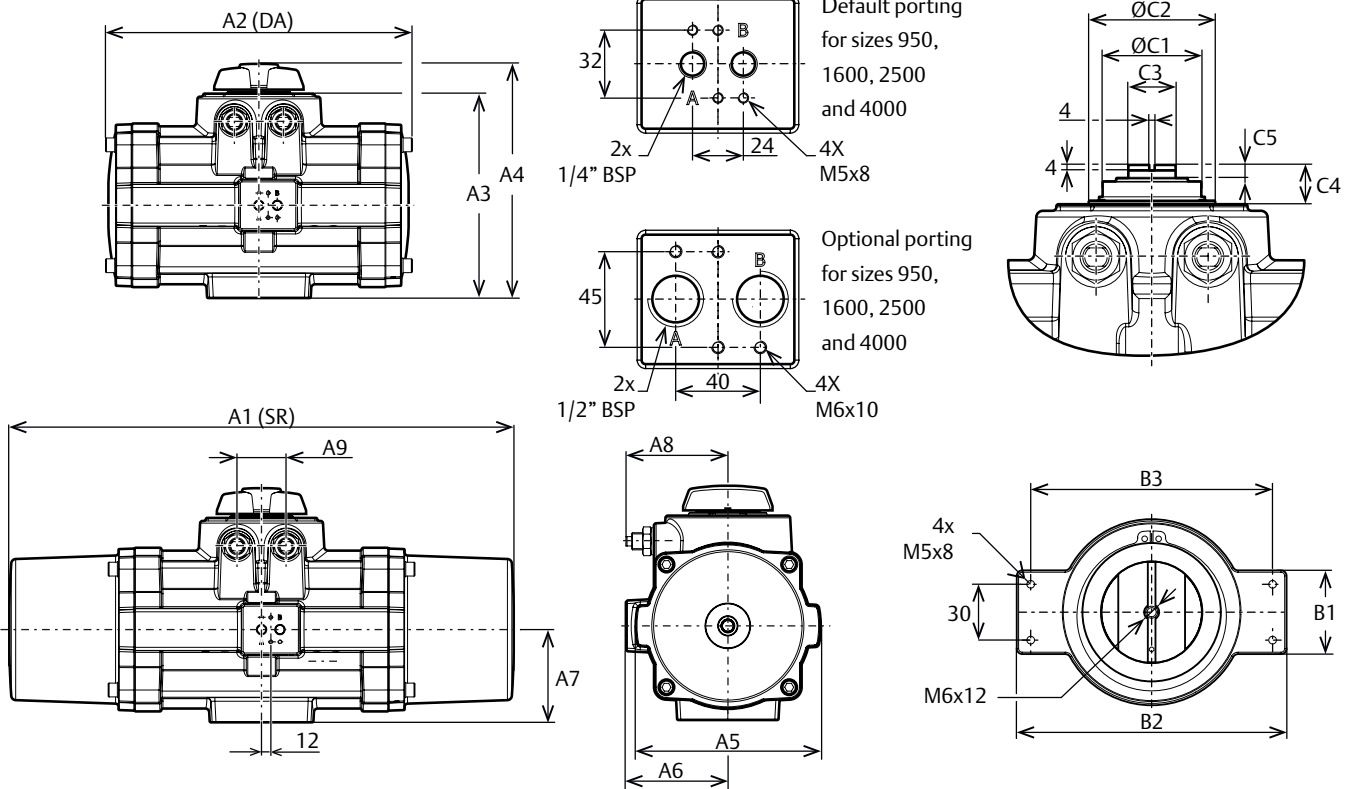
Dim. in mm	Actuator size							
	0025	0040	0065	0100	0150	0200	0350	0600
A1	166	192	217	247	304	362	385	476
A2	166	192	217	247	235	265	284	356
A3	91	112	124	131	157	163	201	248
A4	119	139	151	158	185	191	230	292
A5	68	82	92	103	116	124	161	195
A6	49	55	58	64	69	72	85	102
A7	30	34	38	38	49	49	42	67
A8	48	58	69	69	75	87	109	132
A9	18	25	27	28	46	46	46	60
B1	43	45	50	60	75	75	85	98
B2	94	94	94	97	94	94	100	148
B3	80	80	80	80	80	80	80	130
C1	16	22	22	22	34	36	36	55
C2	23	30	30	35	45	45	45	65
C3	14	14	14	14	19	19	19	36
C4	20	20	20	20	20	20	20	30
C5	12	12	12	12	12	12	12	10

Dimensions - Metric (ISO5211)

Envelope Dimensions - Solenoid and Top Mounting Interface Sizes 950 - 4000

Solenoid interface

Top mounting interface



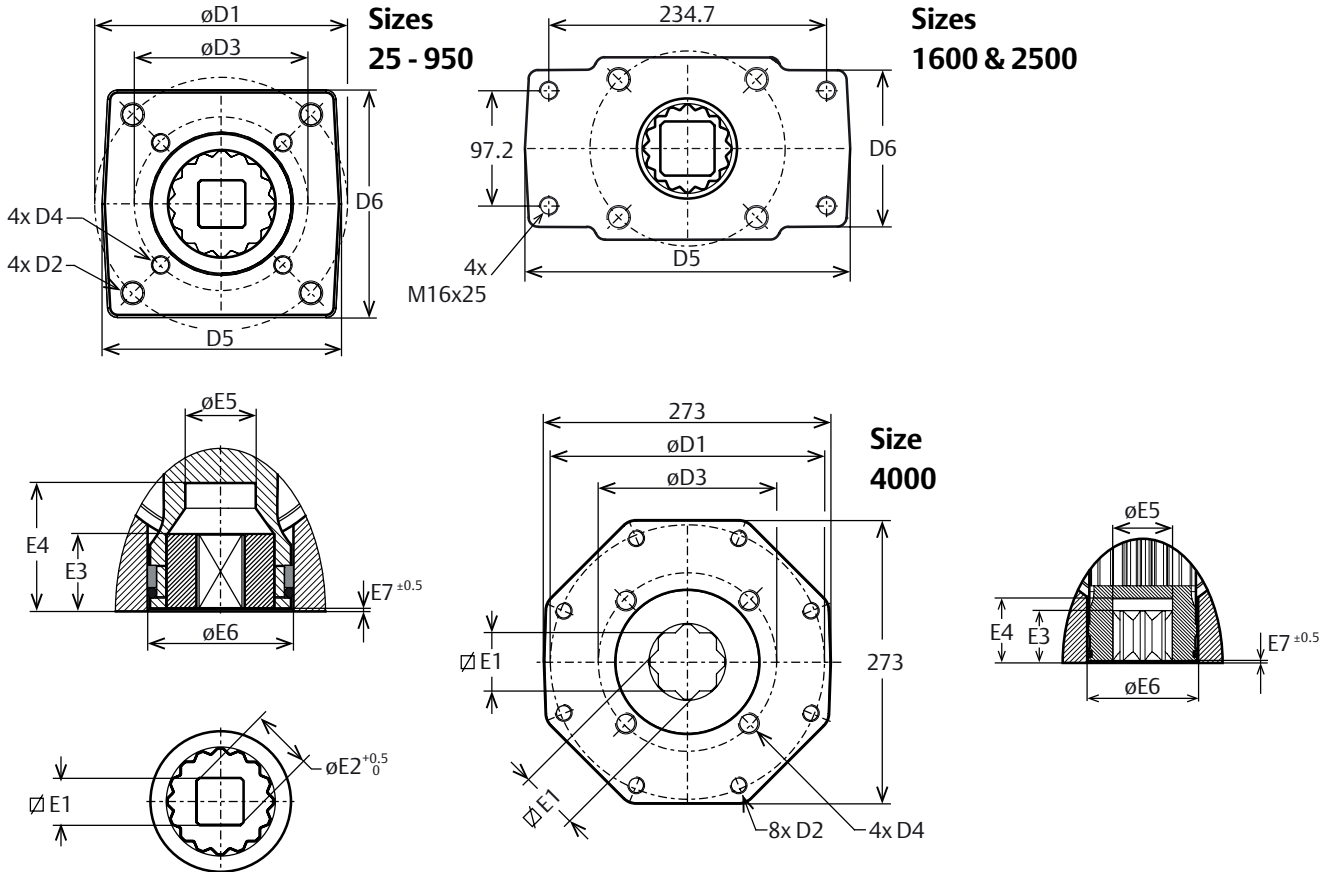
Notes:

1. DA = Double-Acting, SR = Spring-Return
2. Solenoid interface and top mounting interface according to VDI/VDE3845 (NAMUR)
3. The solenoid drilling pattern is shifted 12 mm for sizes 0950 to 4000 vs the centerline of the actuator.
4. The numbers in brackets are for actuators with 1/2" ports.

Dim. in mm	Actuator size			
	0950	1600	2500	4000
A1	658	732	877	959
A2	400	462	550	649
A3	268	302	354	389
A4	305	339	392	427
A5	239	306	350	400
A6	131	149	170	196
A7	121	137 (140) ⁴	157 (160) ⁴	184 (186) ⁴
A8	131	156	181	175
A9	64	85	102	184
B1	45	45	45	45
B2	145	145	145	145
B3	130	130	130	130
C1	65	75	95	96
C2	83	96	115	115
C3	36	36	36	36
C4	30	30	30	30
C5	10	10	10	10

Dimensions - Metric (ISO5211)

Valve Flange and Drive Details Sizes 25 - 4000



Notes:

1. Flange and square drive according to ISO 5211.
2. F25* = For sizes 1600 and 2500 drilling pattern 234.6 x 97.2 represent 4 holes of a F25 drilling pattern.
3. Size 4000 has 2x inner square E1 in the pinion bottom instead of inserts.

Dim. in mm	Actuator size											
	0025	0040	0065	0100	0150	0200	0350	0600	0950	1600	2500	4000
ISO 1	F05	F07	F07	F07	F10	F10	F10	F12	F14	F16	F16	F25
D1	50	70	70	70	102	102	102	125	140	165	165	254
D2	M6x10	M8x13	M8x13	M8x13	M10x15	M10x15	M10x15	M12x18	M16x25	M20x30	M20x30	M16x25
ISO 2	F03	F05	F05	F05	F07	F07	F07	F10	F10	F25*	F25*	F16
D3	36	50	50	50	70	70	70	102	102	-/-	-/-	165
D4	M5x8	M6x10	M6x10	M6x10	M8x13	M8x13	M8x13	M10x16	M10x16	-/-	-/-	M20x30
D5	50	68	68	66	97	94	94	118	135	280	280	273
D6	48	65	65	63	92	90	94	113	130	132	132	269
E1 Max.	11.08	14.08	14.08	19.08	19.08	22.10	27.11	27.11	36.16	46.16	46.16	55.24
E1 Min.	11.00	14.00	14.00	19.00	19.00	22.00	27.00	27.00	36.00	46.00	46.00	55.00
E2	14.1	18.1	18.1	25.2	25.5	28.2	36.2	36.2	48.2	60.2	60.2	72.2
E3	15	15	15	18	27.5	27.5	27.5	27.5	48.5	59.5	59.5	61.5
E4	34	34	34	34	50	50	50	50	65.5	81.5	81.5	76.75
E5	14.1	18.1	21.1	23.5	28.5	32.1	32.1	36.5	48	60	60	73
E6	24.5	34.5	34.5	38	56.5	56.5	56.5	67.5	86	104	125	133
E7	0.5	1	1	1	1.2	1.2	1.2	1.2	1	1	1	1