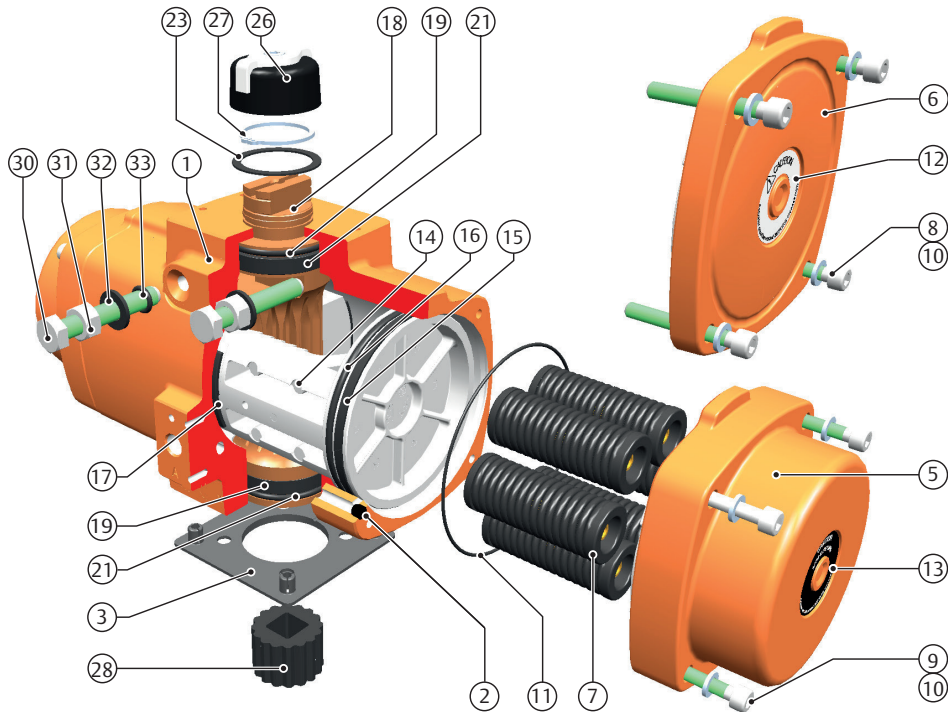


## Construction, Parts and Materials RPE25-RPE600

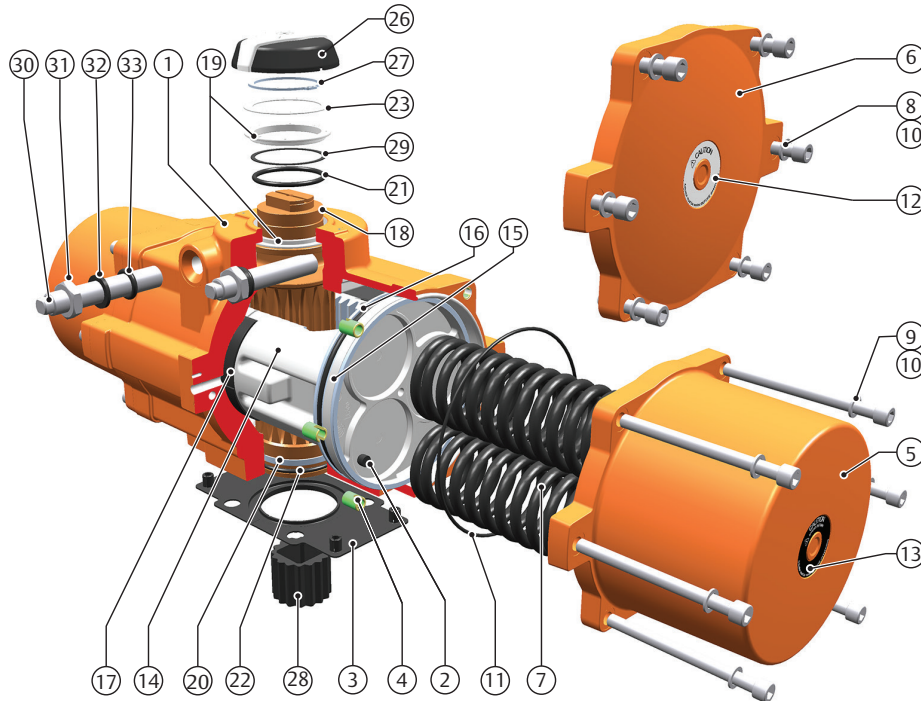


Notes:

- 1 Included in Service Kit.
- 2 Anodized and polyurethane powder coated.
- 3 Chromated
- 4 Hard anodized
- 5 Electrophoretic coated
- 6 Deltatone® coated
- 7 Anodized
- 8 High end caps for double-acting and spring-return models up to size RPE100. Low end caps for double-acting models for sizes RPE150 and larger.

Pos.	Qty	Notes	Description	Material
1	1	2	House	Cast Aluminium alloy
2	2	1	B-port seal	Silicon rubber
3	1		Center plate (option)	Nylon PA6, Black
5	2	2, 8	End cap SR (DA)	Cast Aluminium alloy
6	2	2, 8	End cap DA	Cast Aluminium alloy
7	Max. 12	5	Spring cartridge	Spring steel
8	8		End cap screw DA	Stainless Steel
9	8		End cap screw SR	Stainless Steel
10	8		End cap screw washer	Stainless Steel
11	2	1	O-ring end cap	Nitrile rubber
12	2		Warning sticker DA	Polyester
13	2		Warning sticker SR	Polyester
14	2	3	Piston	Cast Aluminium alloy
15	2	1	Bearing piston	PTFE 25% carbon-filled
16	2	1	O-ring piston	Nitrile rubber
17	2	1	Bearing strip piston rack	POM
18	2	4	Pinion	High grade aluminium
19	2	1	Bearing pinion	POM
21	2	1	O-ring pinion	Nitrile rubber
23	1	1	Thrust bearing pinion	POM, black UV stabilized
26	1		Indicator assembly	ABS + stainless steel screw
27	1	1, 6	Circlip	Spring steel
28	1	7	Drive insert	Aluminium
30	2		Limit stop screw	Stainless steel
31	2		Limit stop nut	Stainless steel
32	2	1	Limit stop washer	PA66
33	2	1	O-ring limit stop	Nitrile rubber

## Construction, Parts and Materials RPE950-RPE2500

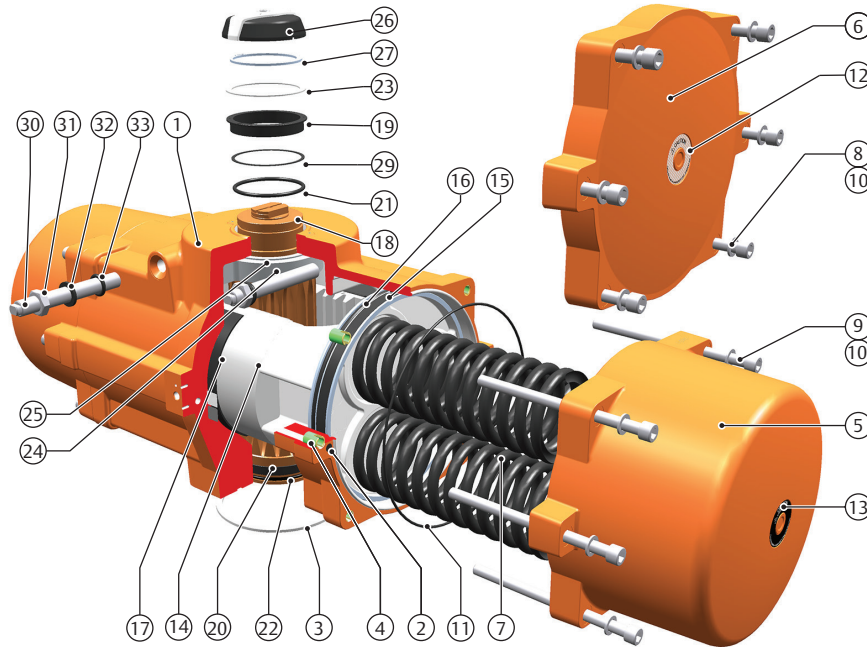


Notes:

- |   |   |   |                        |
|---|---|---|------------------------|
| 1 | Included in Service Kit.                | 5 | Electrophoretic coated |
| 2 | Anodized and polyurethane powder coated | 6 | Deltatone® coated      |
| 3 | Chromated                               | 7 | Anodized               |
| 4 | Hard anodized                           | 8 | 8x for Size 950        |

Pos.	Qty.	Notes	Description	Material
1	1	2	House	Cast Aluminium alloy
2	2	1	B-port seal	Silicon rubber
3	1		Center plate (option)	Nylon PA6, Black
4	8/12	8	Thread insert	Steel
5	2	2	End cap SR	Cast Aluminium alloy
6	2	2	End cap DA	Cast Aluminium alloy
7	Max. 6	5	Springs	Spring steel
8	8/12	8	End cap screw DA	Stainless Steel
9	8/12	8	End cap screw SR	Stainless Steel
10	8/12	8	End cap screw washer	Stainless Steel
11	2	1	O-ring end cap	Nitrile rubber
12	2		Warning sticker DA	Polyester
13	2		Warning sticker SR	Polyester
14	2	3	Piston	Cast Aluminium alloy
15	2	1	Bearing piston	PTFE 25% carbon-filled
16	2	1	O-ring piston	Nitrile rubber
17	2	1	Bearing strip piston rack	POM
18	1	4	Pinion	High grade aluminium
19	2	1	Bearing pinion top	POM
20	1	1	Bearing pinion bottom	POM
21	1	1	O-ring pinion top	Nitrile rubber
22	1	1	O-ring pinion bottom	Nitrile rubber
23	1	1	Thrust bearing pinion	POM, black UV stabilized
26	1		Indicator assembly	ABS + stainless steel screw
27	1	1, 6	Circlip	Spring steel
28	1	7	Drive insert	Aluminium
29	1	1	Backup ring	POM
30	2		Limit stop screw	Stainless steel
31	2		Limit stop nut	Stainless steel
32	2	1	Limit stop washer	PA66
33	2	1	O-ring limit stop	Nitrile rubber

## Construction, Parts and Materials RPE4000



Notes:

- 1 Included in Service Kit.
- 2 Anodized and polyurethane powder coated.
- 3 Chromated
- 4 Hard anodized
- 5 Electrophoretic coated
- 6 Deltatone® coated

Pos.	Qty.	Notes	Description	Material
1	1	2	House	Cast Aluminium alloy
2	2	1	B-port seal	Silicon rubber
3	1		Center ring	Stainless Steel AISI 304
4	12		Thread insert	Steel
5	2	2	End cap SR	Cast Aluminium alloy
6	2	2	End cap DA	Cast Aluminium alloy
7	Max. 6	5	Springs	Spring steel
8	12		End cap screw DA	Stainless Steel
9	12		End cap screw SR	Stainless Steel
10	12		End cap screw washer	Stainless Steel
11	2	1	O-ring end cap	Nitrile rubber
12	2		Warning sticker DA	Polyester
13	2		Warning sticker SR	Polyester
14	2	3	Piston assembly	Cast Aluminium alloy
15	2	1	Bearing piston	PTFE 25% carbon-filled
16	2	1	O-ring piston	Nitrile rubber
17	2	1	Bearing strip piston rack	POM
18	1	4	Pinion	High grade aluminium
19	1	1	Bearing pinion top	POM
20	1	1	Bearing pinion bottom	POM
21	1	1	O-ring pinion top	Nitrile rubber
22	1	1	O-ring pinion bottom	Nitrile rubber
23	1	1	Thrust washer pinion	POM, black UV stabilized
24	1		Cam stroke adjustment	Steel
25	1	1	Cam thrust washer	POM, black UV stabilized
26	1		Indicator assembly	ABS + stainless steel screw
27	1	1, 6	Circlip	Spring steel
29	1	1	Backup ring	POM
30	2		Limit stop screw	Stainless steel
31	2		Limit stop nut	Stainless steel
32	2	1	Limit stop washer	PA66
33	2	1	O-ring limit stop	Nitrile rubber