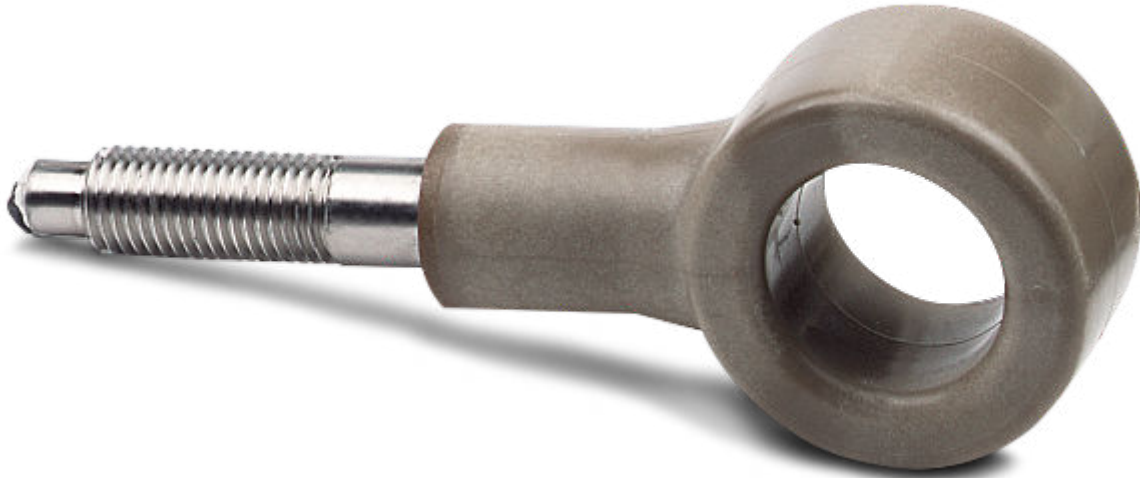


# Rosemount™ 226

## Toroidal Conductivity Sensors



### **A low maintenance solution for high conductivity applications**

The Rosemount 226 Toroidal Conductivity Sensor measures conductivity in highly conductive liquids up to 1 S/cm (2,000,000  $\mu$ S/cm). This toroidal/inductive sensor has a robust fouling-resistant design which makes it ideal for measuring conductivity in harsh, corrosive, and fibrous liquid applications.

## Overview



### High performance and minimal maintenance

- Plugging resistant and suitable for liquids containing high levels of suspended solids due to large bore design.
- High vibration tolerance with reinforced internal metal frame design.
- Constructed with highly corrosion-resistant glass-filled PEEK.
- Robust measurements - insensitive to process flow and direction.

### Versatile installation options

- 1-in. male national pipe thread (MNPT) process connection mounting adapter for submersion type installations.
- Can be inserted through any user-supplied flange by using optional process connection mounting adapter.

---

## Contents

Overview.....	2
Ordering information.....	3
Specifications.....	3
Dimensional drawings.....	4
Accessories.....	6
Engineering specifications.....	6

## Ordering information

Rosemount 226 Toroidal Conductivity Sensors are molded of chemically-resistant glass-filled PEEK and are ideal for measuring concentrations of acid, base, and salt solutions. The sensors include an integral Pt-100 resistance temperature device (RTD) for temperature compensation and a 20 ft. (6.1 m) integral cable. With a large bore hole opening, the Rosemount 226 greatly resists plugging when used in liquids containing high amounts of suspended solids.

**Table 1: Rosemount 226 Ordering Information**

Option	Description
226	Conductivity sensor - toroidal submersion/insertion
<b>Sensor construction</b>	
02	PEEK, standard temperature to 248 °F (120 °C)
<b>Transmitter compatibility</b>	
54	For use with Rosemount series 1054 and 2054
56	For use with Rosemount 56, 5081T, 1056, 1057, and 1066-T
<b>Mounting kit</b>	
80	Submersion (includes 1-in. male national pipe thread [MNPT] PEEK adapter)
81	Insertion through user-supplied flange (includes spacer and nut)
82	No kit required (replacement only)

### Note

The large bore makes the sensor particularly suitable for use in liquids containing high levels of suspended solids. For improved EMI/RFI shielding, choose cable option 56 (not for use with the Rosemount 1181T, 1054, or 2054). The sensor is supplied with an EPDM gasket.

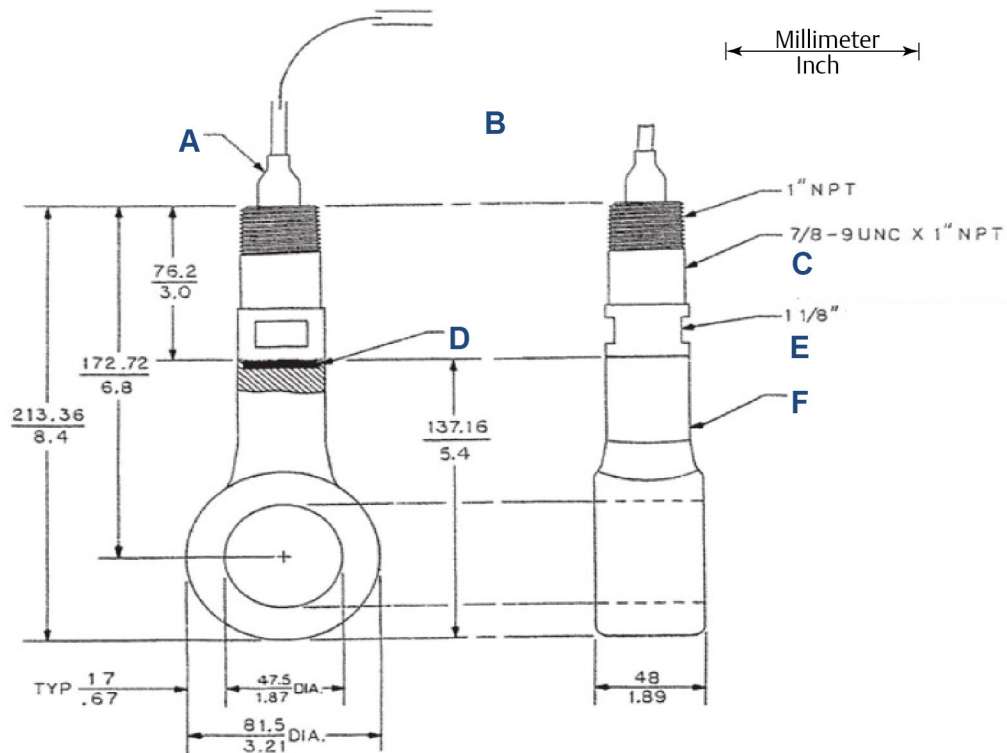
## Specifications

**Table 2: Rosemount 226 Toroidal Conductivity Sensor Specifications**

Description	Material and units
Conductivity range	Refer to transmitter Product Data Sheet.
Wetted materials	Glass-filled PEEK, EPDM Gasket
Operating temperature	32 to 248 °F (0 to 120 °C)
Maximum pressure	295 psig (2135 kPa [abs])
Standard cable length	20 ft. (6.1 m)
Maximum cable length	200 ft. (61 m)
Process connections	7/8-in. 9 UNC threads for flange mounting and 1 in. MNPT (with -80 option); see <a href="#">Dimensional drawings</a> for more details.
Weight/shipping weight	2 lb./3 lb. (1.0 kg/1.5 kg)

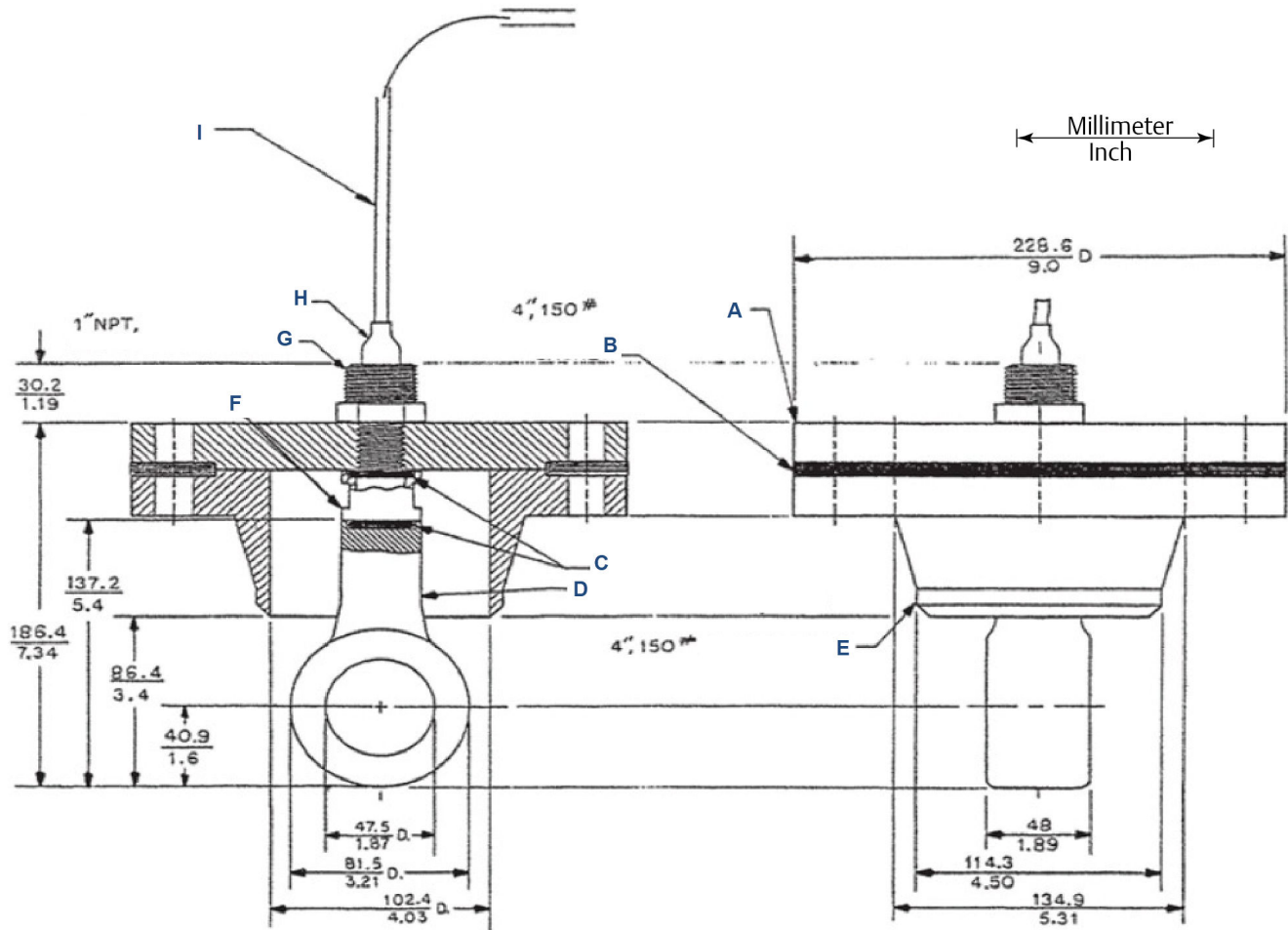
# Dimensional drawings

Figure 1: Rosemount 226 with 1-in. Male National Pipe Thread (MNPT) Process Connection Mounting Adapter (-80 Option)



- A. Boot
- B. 20-ft. (6.1 m) cable
- C. Adapter, PEEK PN 33185-01 (included with code -80)
- D. EPDM gasket
- E. Wrench opening
- F. One piece molded housing, PEEK

**Figure 2: Rosemount 226 with 7/8-in. 9 UNC Thread and Insertion through Flange Mounting Adapter (-81 Option)**



- A. Steel flange
- B. Gasket
- C. EPDM gaskets
- D. One piece molded housing, PEEK
- E. Welding neck steel flange
- F. PEEK flange spacer, 1-in. (25,4 mm) long
- G. 1-in. national pipe thread (NPT), 304 stainless steel adapter for conduit
- H. Boot
- I. 20-ft. (6.1 m) cable

## Accessories

Part number	Description
23550-00	Remote junction box without preamplifier
23294-00	Unshielded interconnecting cable for Rosemount 1054A, 1054B, and 2054C. Can also be used with Rosemount 1056, 56, 5081, and 1066-T, but not recommended. Prepped, specify length, per ft.
23294-05	Shielded interconnecting cable with additional shield wire for -03 option. For use with Rosemount 1056, 1066-T, 56, and 5081T. Prepped, specify length, per ft.
33151-00	Gasket, EPDM (standard)
33151-01	Gasket, Viton <sup>®</sup> , Rosemount 226
33185-01	Mounting adapter, submersion, 9.8 ft. (3 m) length, 3.3 ft. (1 m) male national pipe thread (MNPT), PEEK
33185-02	Mounting adapter, insertion, 3.3 ft. (1 m) length, PEEK (with gasket)
33219-00	Mounting adapter, 304 stainless steel flange nut, 3.3 ft. (1 m) MNPT for conduit
9200276	Extension cable, unprepped (specify length) per foot

## Engineering specifications

- The sensor shall measure electrolytic conductivity using the inductive or toroidal method.
- The sensor shall have a large bore to reduce fouling from fibrous materials in the process stream.
- The sensor shall be molded from glass-filled PEEK.
- The sensor shall be suitable for submersion mounting or insertion mounting through a pipe flange.
- The sensor shall withstand 248 °F (120 °C) at 295 psig (2135 kPa [abs]).
- The sensor shall be Rosemount Model 226 or approved equal.



#### GLOBAL HEADQUARTERS

Emerson Automation Solutions  
6021 Innovation Blvd  
Shakopee, MN 55379, USA

📞 +1 800 999 9307 or +1 952 906 8888

📠 F +1 952 949 7001

✉️ liquid.csc@emerson.com

#### NORTH AMERICA

Emerson Automation Solutions  
8200 Market Blvd  
Chanhassen, MN 55317

📞 Toll Free +1 800 999 9307

📠 F +1 952 949 7001

✉️ liquid.csc@emerson.com

#### EUROPE

Emerson Automation Solutions  
Neuhofstrasse 19a P.O. Box 1046  
CH-6340 Baar  
Switzerland

📞 T + 41 (0) 41 768 6111

📠 F + 41 (0) 41 768 6300

✉️ liquid.csc@emerson.com

#### MIDDLE EAST AND AFRICA

Emerson Automation Solutions  
Emerson FZE  
Jebel Ali Free Zone  
Dubai, United Arab Emirates, P.O. Box 17033

📞 T +971 4 811 8100

📠 F +971 4 886 5465

✉️ liquid.csc@emerson.com

#### ASIA-PACIFIC


Emerson Automation Solutions  
1 Pandan Crescent  
Singapore 128461  
Singapore

📞 T +65 777 8211


📠 F +65 777 0947

✉️ liquid.csc@emerson.com

 [Linkedin.com/company/Emerson-Automation-Solutions](https://www.linkedin.com/company/Emerson-Automation-Solutions)

 [Twitter.com/Rosemount\\_News](https://twitter.com/Rosemount_News)

 [Facebook.com/Rosemount](https://www.facebook.com/Rosemount)

 [Youtube.com/user/RosemountMeasurement](https://www.youtube.com/user/RosemountMeasurement)

©2019 Emerson. All rights reserved.

Emerson Terms and Conditions of Sale are available upon request. The Emerson logo is a trademark and service mark of Emerson Electric Co. Rosemount is a mark of one of the Emerson family of companies. All other marks are the property of their respective owners.