

# BUTTERFLY VALVES

VFA Series



# VFA Series Butterfly Valves

## Butterfly Valves

Thanks to special design and engineering, the butterfly valves VFA series feature very low pressure losses and superior seal. The valves can be used with all kinds of non corrosive fluids including natural gas, air, water, etc.

The main features are as follows:

- **Hermetic Seal**
- **Easy handling**
- **Easy Installation in All Positions**
- **Easy Maintenance**
- **Very Low Pressure Loss**

## Available Configurations

VFA : Lever operated

VFA-MR : Gear operated

VFA-MRO : Gear operated for use with absorbing odorizing systems

## Features

All VFA/ valves feature pressed steel bodies. Counterflanges are secured by means of coach screws onto the valve body, so that the valve can be used as a terminal unit.

Valve body is cold zinc-plated in iridescent yellow; upon request, valves can also be supplied with light grey epoxy paint finish.

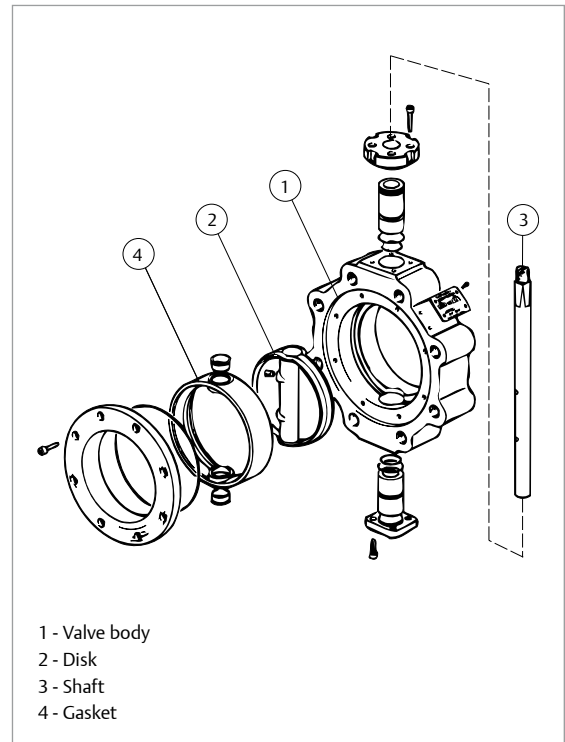
The specially designed gasket is housed in the body itself and features:

- A reduced surface in contact with the fluid, thus minimizing risk of gasket deformation eventually due to solvents present in the fluid.
- High thickness for maximum elasticity so as to prevent any deformations or stresses due to foreign matter.
- Special shape to ensure perfect seal both internally and externally.

The butterfly valve disk is carefully machined and appropriately shaped all around in order to ensure perfect butterfly and gasket fit.

The control shaft is mounted on bushes and perfect seal is guaranteed by means of O-rings.

Bushes are easily removable so that they can be readily replaced even with valve in operation.



## Technical Features

Allowable pressure - PN 16 PS: 16 bar

Allowable pressure - ANSI 150 PS: 19 bar

### Flanged connections

DN 50 - 65 - 80 - 100 - 125 - 150 - 200 - 250

(NPS 2 - 2 1/2 - 3 - 4 - 5 - 6 - 8 - 10)

### Temperature

Standard version working: -10 °C +60 °C

Low temperature version working: -20 °C +60 °C

## Materials

Body	Steel
Disk	Pressed steel
Shaft	Stainless steel
Gaskets	Nitrile NBR rubber (FKM on request)

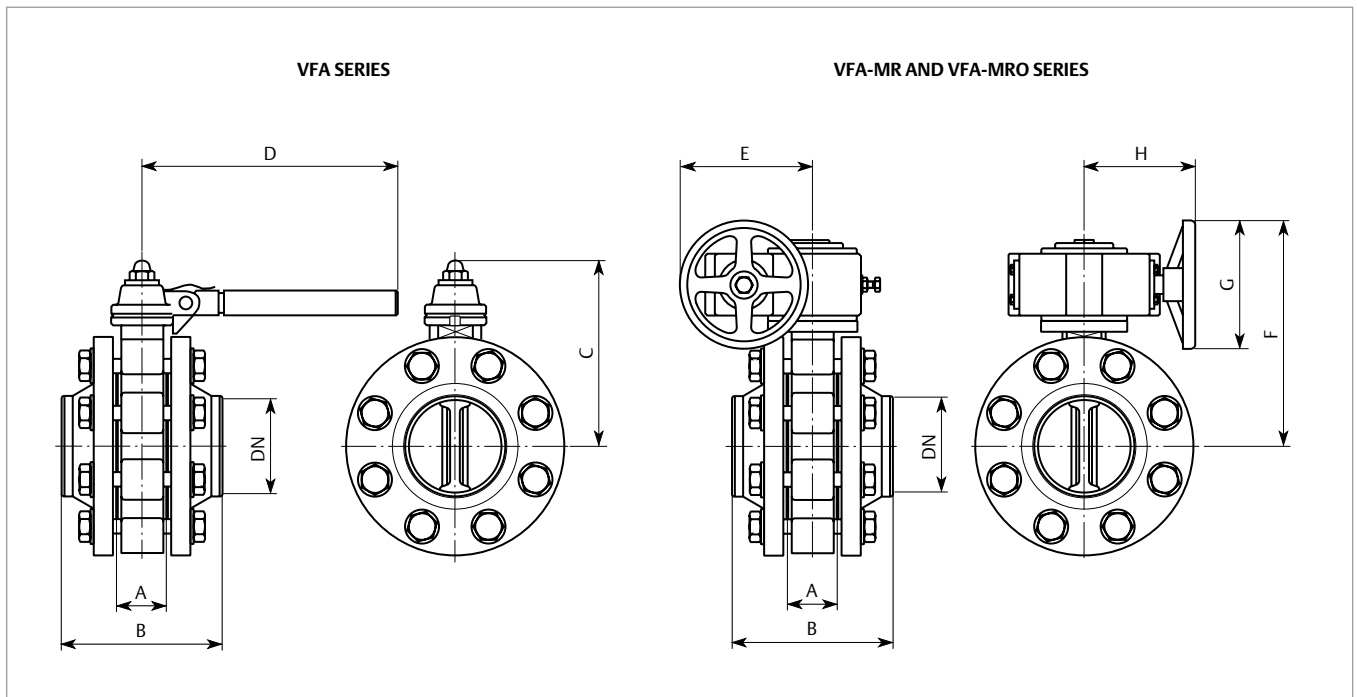


# VFA Series Butterfly Valves

## Capacity Coefficients

DN	50	65	80	100	125	150	200	250
Cv	131.3	266.4	328.4	598.5	755.4	1518.2	3029	4565.6
Cvm	3.6	7.3	9	16.4	20.7	41.6	83	125.1

## Dimensions (mm) and Weights (kg)

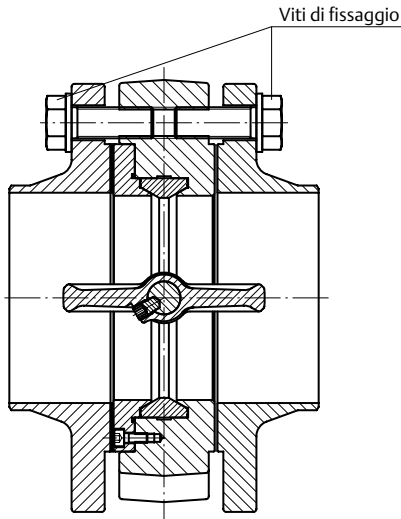


DN	A	B		C	D	E	F	G	H	Weight				
		PN 16	ANSI 150							VFA	VFA-MR VFA-MRO			
50	43	136	173	147	470	160	190	125	120	11.5	14			
65	46	139	189	157			200			14	16			
80	46	149	189	163			205			18	20			
100	52	159	208	174			215			21	23			
125	56	169	237	209	490	300	335	300	168	28.5	35			
150				227			345			36	42			
200				60			187			267	252	375	51	57
250				68			214			278	239	530	430	97

# Mounting Screws

The VFA series butterfly valves can be provided with counterflanges, gaskets and mounting screws.

Please see the following table for the mounting screws quantity and type:



DN	PN 16		ANSI 150	
	Q	Screws Type	Q	Screws Type
50	8	M16 x 40	8	M16 x 40
65	8	M16 x 40	8	M16 x 45
80	16	M16 x 45	8	M16 x 45
100	16	M16 x 45	16	M16 x 45
125	16	M16 x 50	16	M20 x 50
150	16	M20 x 50	16	M20 x 55
200	24	M20 x 55	16	M20 x 60
250	24	M22 x 60	24	M22 x 70

## Industrial Regulators

### Emerson Process Management Regulator Technologies, Inc.

#### USA - Headquarters

McKinney, Texas 75070 USA  
Tel: +1 800 558 5853  
Outside US: +1 972 548 3574

#### Europe

Bologna 40013, Italy  
Tel: +39 051 419 0611

#### Asia-Pacific

Shanghai 201206, China  
Tel: +86 21 2892 9000

#### Middle East and Africa

Dubai, United Arab Emirates  
Tel: +971 4811 8100

## Natural Gas Technologies

### Emerson Process Management Regulator Technologies, Inc.

#### USA - Headquarters

McKinney, Texas 75070 USA  
Tel: +1 800 558 5853  
Outside US: +1 972 548 3574

#### Europe

Bologna 40013, Italy  
Tel: +39 051 419 0611  
Chartres 28008, France  
Tel: +33 2 37 33 47 00

#### Asia-Pacific

Singapore 128461, Singapore  
Tel: +65 6770 8337

#### Middle East and Africa

Dubai, United Arab Emirates  
Tel: +971 4811 8100

## LP-Gas Equipment

### Emerson Process Management Regulator Technologies, Inc.

#### USA - Headquarters

McKinney, Texas 75070 USA  
Tel: +1 800 558 5853  
Outside US: +1 972 548 3574

## TESCOM

### Emerson Process Management Tescom Corporation

#### USA - Headquarters

Elk River, Minnesota 55330-2445 USA  
Tel: +1 763 241 3238  
+1 800 447 1250

#### Europe

Selmsdorf 23923, Germany  
Tel: +49 38823 31 287

#### Asia-Pacific

Shanghai 201206, China  
Tel: +86 21 2892 9499

For further information visit [www.emersonprocess.com/regulators](http://www.emersonprocess.com/regulators)

## Our Global Product Brands:



The Emerson logo is a trademark and service mark of Emerson Electric Co. All other marks are the property of their prospective owners. Fisher, Tartarini, Francel, Emerson Process Management and the Emerson Process Management design are marks of the Emerson Process Management group of companies.

The contents of this publication are presented for informational purposes only, and while every effort has been made to ensure their accuracy, they are not to be construed as warranties or guarantees, express or implied, regarding the products or services described herein or their use or applicability. We reserve the right to modify or improve the designs or specifications of such products at any time without notice.

Emerson Process Management does not assume responsibility for the selection, use or maintenance of any product. Responsibility for proper selection, use and maintenance of any Emerson Process Management product remains solely with the purchaser.

O.M.T. Officina Meccanica Tartarini S.R.L., Via P. Fabbri 1, I-40013 Castel Maggiore (Bologna), Italy

R.E.A 184221 BO Cod. Fisc. 00623720372 Part. IVA 00519501209 N° IVA CEE IT 00519501209, Cap. Soc. 1.548 000 Euro i.v. R.I. 00623720372 - M BO 020330

Francel SAS, 3 Avenue Victor Hugo, CS 80125, Chartres 28008, France

SIRET 552 068 637 00057 APE 2651B, N° TVA : FR84552068637, RCS Chartres B 552 068 637, SAS capital 534 400 Euro

D104060X012 - 02/2015 - Rev.00©Emerson Process Management Regulator Technologies, Inc., 2015; All Rights Reserved

