

Fisher™ V260 and V270 for Buried Service

Fisher Ball Valves, V260 and V270, can now supplement their proven reliability with a new standard buried service option. A shaft extension is designed to transmit only the required torque to operate the valve, while getting up to -25 dBA noise reduction.

The standard buried service offering will be an 8-foot extension from center line of valve body to actuator mounting pad, designed for the V260 and V270 with a Bettis G series actuator. Consult your [Emerson sales office](#) for custom length or actuator requirements.

For specifics on the ball valves, please reference V260 bulletin ([D102352X012](#)) or V270 bulletin ([D104178X012](#)).

Unless otherwise noted, all NACE references are to NACE MR0175/ ISO 15156.

Features

- **Shaft Extension**—Torque is transferred from the actuator to valve.
- **Excellent Noise Reduction**—Decrease noise by up to 25 dBA with no impact on flow.



X2061

**FISHER BURIED SERVICE
WITH V260 VALVE**

Specifications

Valve Body Sizes and End Connection Styles

V260: NPS ■ 6, ■ 8, ■ 10, ■ 12, ■ 16, ■ 20, and ■ 24 flanged valves with CL150, CL300, or CL600 raised-face flanges compatible with ASME B16.5

V270: NPS ■ 6, ■ 8, ■ 10, ■ 12, ■ 14, ■ 16, ■ 20, and ■ 24 flanged valves with CL150, CL300, or CL600 raised-face flanges compatible with ASME B16.5

Maximum Inlet Pressures and Temperatures⁽¹⁾

Consistent with applicable pressure-temperature ratings, but do not exceed the material temperature capabilities and pressure drop limitations listed in V260 bulletin ([D102352X012](#)) and V270 bulletin ([D104178X012](#))

Flow Characteristic

See V260 bulletin (D102352X012) and V270 bulletin (D104178X012)

Flow and Shutoff Direction

See V260 bulletin (D102352X012) and V270 bulletin (D104178X012)

Flow Coefficients

See Fisher Catalog 12

Shutoff Classification

See V260 bulletin (D102352X012) and V270 bulletin (D104178X012)

Seal Material

See V260 bulletin (D102352X012) and V270 bulletin (D104178X012)

Maximum Ball Rotation

90°

Packing Arrangements

ENVIRO-SEAL™ packing system provides improved sealing, guiding, and transmission of loading force to control liquid and gas emissions

Dimensions

See figures 1 and 2

Extension Length

Standard: 8-feet from the centerline of valve body to actuator mounting pad

The actuator mounting pad must be no more than 610 mm (24 in) above ground when buried

Contact your [Emerson sales office](#) for availability of special extension length

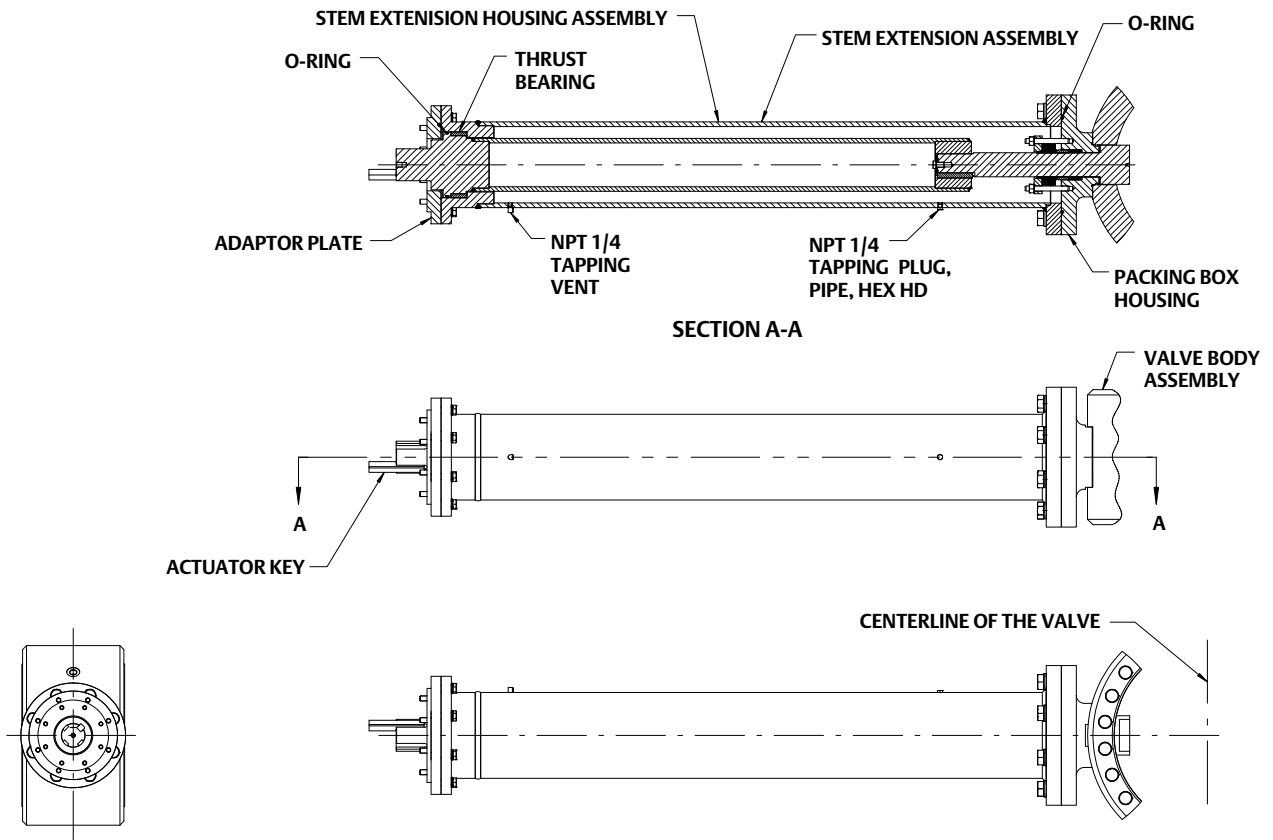
1. The pressure/temperature limits in this bulletin and any applicable standard or code limitation for this valve should not be exceeded.

Table 1. Standard Materials of Construction

| Part ⁽¹⁾ | Material |
|------------------------|-------------------------|
| Packing Box Housing | Carbon Steel |
| Actuator Mounting Pad | Carbon Steel |
| Extension Housing Pipe | ASME SA106 Grade B |
| Bottom Plate | Carbon Steel |
| Actuator Adapter | Alloy Steel AISI G43400 |
| Extension Pipe | ASME SA106 Grade B |
| Shaft Adapter | Alloy Steel AISI G43400 |
| Adaptor Plate | Carbon Steel |
| Thrust Bearing | 316 SST Nitrided |
| O-Ring | Nitrile |
| Pipe Plug | Carbon Steel |
| Mounting Bolting | SAE Grade 5/NCF3 |

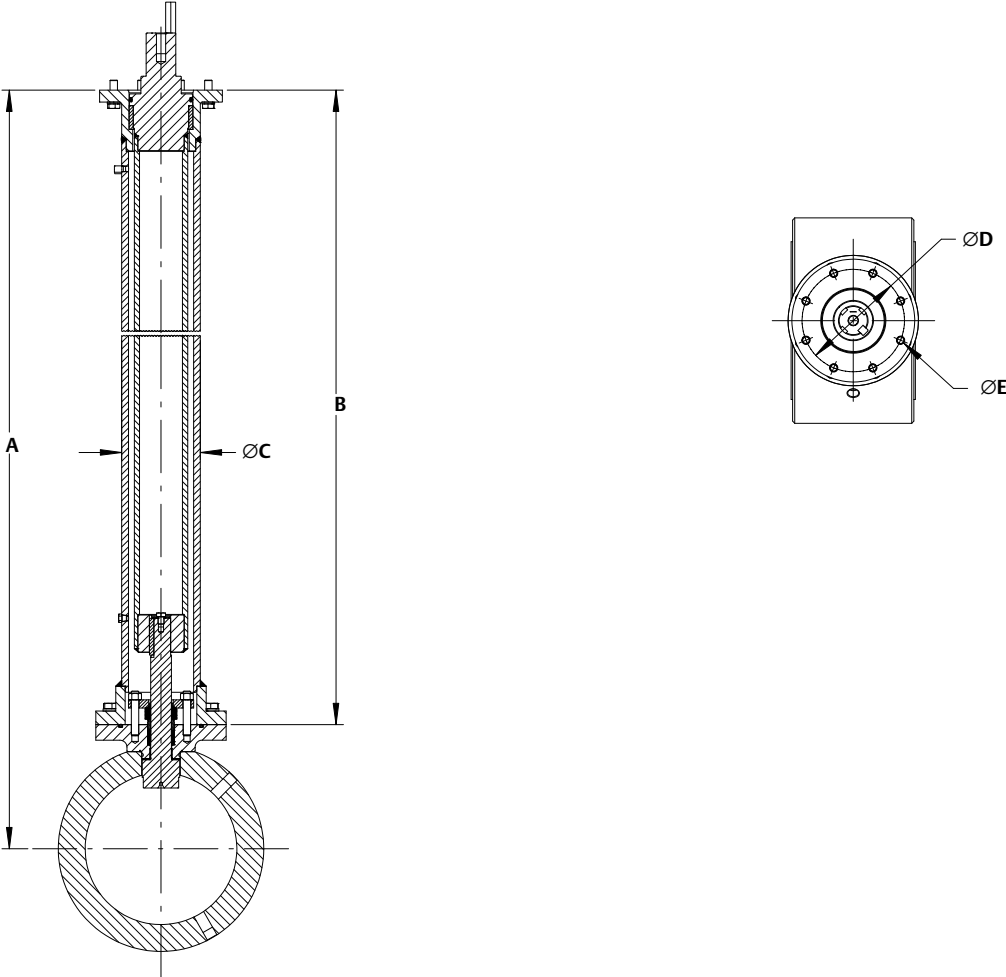
1. For valve parts, refer to V260 bulletin (D102352X012) and V270 bulletin (D104178X012).

Figure 1. Sectional View of Buried Service Assembly



CG88170

Figure 2. Envelope Dimensions (see tables 2 and 3)



GC87821

Table 2. V260 Envelope Dimensions, ØC and ØD

| VALVE SIZE, NPS | PRESSURE CLASS | Keyway Dia. (Ø) | A | B | ØC | | | | | ØD | | | | |
|-----------------|----------------|-----------------|--------|--------|-----------------------|-------|-------|-------|-------|-------|-------|-------|-----|----|
| | | | | | G1 | G2 | G3 | G4 | G5 | G1 | G2 | G3 | G4 | G5 |
| | | | inch | | Bettis Actuator, inch | | | | | | | | | |
| 6 | 150 | 1-5/8 | 96 | 87.01 | 6.00 | 6.00 | 8.00 | 8.00 | 8.64 | 10.00 | 11.75 | 14.00 | N/A | |
| | 300 | | | | | | | | | | | | | |
| | 600 | | | | | | | | | | | | | |
| 8 | 150 | 1-5/8 | | 85.26 | | | | | | | | | | |
| | 300 | | | | | | | | | | | | | |
| | 600 | | | | | | | | | | | | | |
| 10 | 150 | 2-1/4 | | 83.25 | | | | | | | | | | |
| | 300 | | | | | | | | | | | | | |
| | 600 | | | | | | | | | | | | | |
| 12 | 150 | 2-1/4 | | 81.47 | | | | | | | | | | |
| | 300 | | | | | | | | | | | | | |
| | 600 | | | | | | | | | | | | | |
| 16 | 150 | 2-3/4 | 76.01 | N/A | 6.00 | 10.00 | N/A | 8.64 | 12.75 | 14.00 | N/A | | | |
| | 300 | | | | | | | | | | | | | |
| | 600 | | | | | | | | | | | | | |
| 20 | 150 | 3-1/4 | 72.31 | N/A | 10.00 | N/A | N/A | 12.75 | 14.00 | | | | | |
| | 300 | | | | | | | | | | | | | |
| | 600 | | | | | | | | | | | | | |
| 24 | 150 | 2-3/4 | 69.60 | N/A | 10.00 | N/A | N/A | 12.75 | 14.00 | | | | | |
| | 300 | | | | | | | | | | | | | |
| | 600 | | | | | | | | | | | | | |
| 24 | 150 | 4 | 68.13 | N/A | 10.00 | N/A | N/A | 12.75 | 14.00 | | | | | |
| | 300 | | | | | | | | | | | | | |
| | 600 | | | | | | | | | | | | | |
| | | | mm | | Bettis Actuator, mm | | | | | | | | | |
| 6 | 150 | 41.3 | 96 | 2210.1 | 152.4 | 152.4 | 203.2 | 203.2 | 219.5 | 254.0 | 298.5 | 355.6 | N/A | |
| | 300 | | | | | | | | | | | | | |
| | 600 | | | | | | | | | | | | | |
| 8 | 150 | 41.3 | | 2165.5 | | | | | | | | | | |
| | 300 | | | | | | | | | | | | | |
| | 600 | | | | | | | | | | | | | |
| 10 | 150 | 57.1 | | 2114.5 | | | | | | | | | | |
| | 300 | | | | | | | | | | | | | |
| | 600 | | | | | | | | | | | | | |
| 12 | 150 | 57.1 | | 2069.3 | | | | | | | | | | |
| | 300 | | | | | | | | | | | | | |
| | 600 | | | | | | | | | | | | | |
| 16 | 150 | 69.8 | 1930.7 | N/A | 152.4 | 254.0 | N/A | 219.5 | 323.9 | 355.6 | | | | |
| | 300 | | | | | | | | | | | | | |
| | 600 | | | | | | | | | | | | | |
| 20 | 150 | 82.5 | 1836.7 | N/A | 254.0 | N/A | N/A | 323.9 | 355.6 | | | | | |
| | 300 | | | | | | | | | | | | | |
| | 600 | | | | | | | | | | | | | |
| 24 | 150 | 69.8 | 1767.8 | N/A | 254.0 | N/A | N/A | 323.9 | 355.6 | | | | | |
| | 300 | | | | | | | | | | | | | |
| | 600 | | | | | | | | | | | | | |
| 24 | 150 | 101.6 | 1730.5 | N/A | 254.0 | N/A | N/A | 323.9 | 355.6 | | | | | |
| | 300 | | | | | | | | | | | | | |
| | 600 | | | | | | | | | | | | | |

Table 3. V260 Envelope Dimensions, ØE and Approximate Weight

| VALVE SIZE, NPS | PRESSURE CLASS | Keyway Dia. (∅) | A | B | ∅E | | | | | APPROXIMATE WEIGHT | | | | | | | | | | | | | |
|-----------------|----------------|-----------------|--------|--------|-----------------------|-------|------|---------------------|------|----------------------|-------|-------|-----|------|------|---------------------|-------|-----|-----|------|------|------|-----|
| | | | | | G1 | G2 | G3 | G4 | G5 | G1 | G2 | G3 | G4 | G5 | | | | | | | | | |
| | | | inch | | Bettis Actuator, inch | | | | | Bettis Actuator, lbs | | | | | | | | | | | | | |
| 6 | 150 | 1-5/8 | 96 | 87.01 | 0.694 | | | | | 0.820 | N/A | 495 | 507 | 486 | 542 | N/A | | | | | | | |
| | 300 | | | | | | | | | | | 487 | 499 | 478 | 534 | | | | | | | | |
| | 600 | | | | | | | | | | | 515 | 527 | 673 | 700 | | | | | | | | |
| 8 | 150 | 1-5/8 | | 85.26 | | | | | | | 0.694 | | | | | | 0.820 | N/A | 487 | 499 | 478 | 534 | N/A |
| | 300 | | | | | | | | | | | | | | | | | | 487 | 499 | 478 | 534 | |
| | 600 | | | | | | | | | | | | | | | | | | 515 | 527 | 673 | 700 | |
| 10 | 150 | 2-1/4 | | 83.25 | 0.694 | | | | | 0.820 | | | | | | N/A | | 515 | 527 | 673 | 700 | N/A | |
| | 300 | | | | | | | | | | | | | | | | | 515 | 527 | 673 | 700 | | |
| | 600 | | | | | | | | | | | | | | | | | 515 | 527 | 673 | 700 | | |
| 12 | 150 | 2-1/4 | | 81.47 | | | | | | | 0.694 | | | | | 0.820 | 1.069 | 506 | 518 | 662 | 689 | | 800 |
| | 300 | | | | | | | | | | | | | | | | | 506 | 518 | 662 | 689 | | |
| | 600 | | | | | | | | | | | | | | | | | 506 | 518 | 662 | 689 | | |
| 16 | 150 | 2-3/4 | 76.01 | N/A | | 0.694 | | 0.820 | | 1.069 | | | | | | | N/A | | 944 | 1009 | 933 | | |
| | 300 | | | N/A | | 944 | 1009 | | | | | | | | | | 933 | | | | | | |
| | 600 | | | N/A | | 944 | 1009 | | | | | | | | | | 933 | | | | | | |
| 20 | 150 | 3-1/4 | 72.31 | N/A | | 0.820 | | | | | | 1.069 | | N/A | | 914 | 981 | 903 | | | | | |
| | 300 | | | | | | | | | | | | | | | 914 | 981 | 903 | | | | | |
| | 600 | | | | | | | | | | | | | | | 914 | 981 | 903 | | | | | |
| 24 | 150 | 2-3/4 | 69.60 | | | | | N/A | | 0.820 | | | | | | 1.069 | | N/A | | 894 | 960 | 883 | |
| | 300 | | | | | | | | | | | | | | | | | | | 894 | 960 | 883 | |
| | 600 | | | | | | | | | | | | | | | | | | | 894 | 960 | 883 | |
| 24 | 150 | 4 | 68.13 | N/A | | 0.820 | | | | | | 1.069 | | N/A | | | | | | 938 | 1106 | 1028 | |
| | 300 | | | | | | | | | | | | | | | | | | | 938 | 1106 | 1028 | |
| | 600 | | | | | | | | | | | | | | | | | | | 938 | 1106 | 1028 | |
| VALVE SIZE, NPS | PRESSURE CLASS | Keyway Dia. (∅) | A | | | | | B | ∅E | | | | | | | APPROXIMATE WEIGHT | | | | | | | |
| | | | mm | | | | | Bettis Actuator, mm | | | | | | | | Bettis Actuator, kg | | | | | | | |
| 6 | 150 | 41.3 | 96 | | | | | 2210.1 | 17.6 | | | | | | | 20.8 | N/A | 225 | 230 | 220 | 246 | N/A | |
| | 300 | | | 221 | 226 | 217 | 242 | | | | | | | | | | | | | | | | |
| | 600 | | | 234 | 239 | 305 | 318 | | | | | | | | | | | | | | | | |
| 8 | 150 | 41.3 | | 2165.5 | 17.6 | | | | | | | | | 20.8 | N/A | | 221 | 226 | 217 | 242 | N/A | | |
| | 300 | | | | | | | | | | | | | | | | 221 | 226 | 217 | 242 | | | |
| | 600 | | | | | | | | | | | | | | | | 234 | 239 | 305 | 318 | | | |
| 10 | 150 | 57.1 | | 2114.5 | | | | | | 17.6 | | | | | 20.8 | N/A | 234 | 239 | 305 | 318 | | N/A | |
| | 300 | | | | | | | | | | | | | | | | 234 | 239 | 305 | 318 | | | |
| | 600 | | | | | | | | | | | | | | | | 234 | 239 | 305 | 318 | | | |
| 12 | 150 | 57.1 | | 2069.3 | 17.6 | | | | | | | | | | | 20.8 | 27.2 | 230 | 235 | 300 | 313 | | 363 |
| | 300 | | | | | | | | | | | | | | | | | 230 | 235 | 300 | 313 | | |
| | 600 | | | | | | | | | | | | | | | | | 230 | 235 | 300 | 313 | | |
| 16 | 150 | 69.8 | 1930.7 | N/A | | | | | | 17.6 | | 20.8 | | 27.2 | | | N/A | 244 | 428 | 458 | 423 | | |
| | 300 | | | N/A | | | | | | 244 | 428 | | | | | | 458 | 423 | | | | | |
| | 600 | | | N/A | | | | | | 244 | 428 | | | | | | 458 | 423 | | | | | |
| 20 | 150 | 82.5 | 1836.7 | N/A | | 20.8 | | 27.2 | | N/A | | | | | | 415 | 445 | 410 | | | | | |
| | 300 | | | | | | | | | | | | | | | 415 | 445 | 410 | | | | | |
| | 600 | | | | | | | | | | | | | | | 415 | 445 | 410 | | | | | |
| 24 | 150 | 69.8 | 1767.8 | | | | | | | | | N/A | | 20.8 | | 27.2 | | N/A | | 406 | 435 | 401 | |
| | 300 | | | | | | | | | | | | | | | | | | | 406 | 435 | 401 | |
| | 600 | | | | | | | | | | | | | | | | | | | 406 | 435 | 401 | |
| 24 | 150 | 101.6 | 1730.5 | N/A | | 20.8 | | 27.2 | | N/A | | | | | | | | | | 425 | 502 | 466 | |
| | 300 | | | | | | | | | | | | | | | | | | | 425 | 502 | 466 | |
| | 600 | | | | | | | | | | | | | | | | | | | 425 | 502 | 466 | |

Table 4. V270 Envelope Dimensions, ØC and ØD

| VALVE SIZE, NPS | PRESSURE CLASS | Keyway Dia. (∅) | A | B | ∅C | | | | | ∅D | | | | | | | | | |
|-----------------|----------------|-----------------|--------|--------|-----------------------|-------|-------|-------|-------|-------|-------|-------|-------|-------|-----|-------|-------|-------|-----|
| | | | | | G1 | G2 | G3 | G4 | G5 | G1 | G2 | G3 | G4 | G5 | | | | | |
| inch | | | | | Bettis Actuator, inch | | | | | | | | | | | | | | |
| 6 | 150 | 1-5/8 | 96 | 87.72 | 6.00 | 6.00 | N/A | 8.64 | 10.00 | 11.75 | N/A | 14.00 | 14.00 | | | | | | |
| | 300 | | | 87.48 | | | | | | | | | | | | | | | |
| | 600 | | | 87.32 | | | | | | | | | | | | | | | |
| 8 | 150 | 85.78 | | | | | | | | | | | | | | | | | |
| | 300 | 85.78 | | | | | | | | | | | | | | | | | |
| | 600 | 85.54 | | | | | | | | | | | | | | | | | |
| 10 | 150 | 2-1/4 | | 84.37 | 8.00 | 8.00 | 8.64 | 10.00 | 11.75 | N/A | 14.00 | | | | | | | | |
| | 300 | | | 84.14 | | | | | | | | | | | | | | | |
| | 600 | | | 83.64 | | | | | | | | | | | | | | | |
| 12 | 150 | 2-1/4 | | 82.66 | N/A | 6.00 | N/A | 8.64 | 12.75 | 14.00 | | | | | | | | | |
| | 300 | | | 82.38 | | | | | | | | | | | | | | | |
| | 600 | | | 81.84 | | | | | | | | | | | | | | | |
| 14 | 150 | 2-3/4 | | 80.41 | N/A | 6.00 | 10.00 | N/A | 8.64 | 12.75 | 14.00 | | | | | | | | |
| | 300 | | | 80.18 | | | | | | | | | | | | | | | |
| | 600 | | | 79.50 | | | | | | | | | | | | | | | |
| 16 | 150 | 2-3/4 | 78.86 | N/A | 10.00 | N/A | 8.64 | 12.75 | 14.00 | | | | | | | | | | |
| | 300 | | 78.65 | | | | | | | | | | | | | | | | |
| | 600 | | 77.71 | | | | | | | | | | | | | | | | |
| 20 | 150 | 2-3/4 | 75.41 | N/A | 10.00 | N/A | 8.64 | 12.75 | 14.00 | | | | | | | | | | |
| | 300 | 3-1/4 | 75.13 | | | | | | | | | | | | | | | | |
| | 600 | 3-1/4 | 74.13 | | | | | | | | | | | | | | | | |
| 24 | 150 | 2-3/4 | 72.37 | N/A | 10.00 | N/A | 8.64 | 12.75 | 14.00 | | | | | | | | | | |
| | 300 | 3-1/2 | 71.78 | | | | | | | | | | | | | | | | |
| | 600 | 4 | 70.45 | | | | | | | | | | | | | | | | |
| mm | | | | | Bettis Actuator, mm | | | | | | | | | | | | | | |
| 6 | 150 | 41.3 | 2438.4 | 2228.1 | 152.4 | 152.4 | N/A | 219.5 | 254.0 | 298.5 | N/A | 355.6 | | | | | | | |
| | 300 | | | 2221.9 | | | | | | | | | | | | | | | |
| | 600 | | | 2217.9 | | | | | | | | | | | | | | | |
| 8 | 150 | 41.3 | | 2178.9 | | | | | | | | | 152.4 | 152.4 | N/A | 219.5 | 254.0 | 298.5 | N/A |
| | 300 | | | 2178.9 | | | | | | | | | | | | | | | |
| | 600 | | | 2172.7 | | | | | | | | | | | | | | | |
| 10 | 150 | 57.1 | | 2143.0 | 203.2 | 203.2 | N/A | 219.5 | 254.0 | 298.5 | N/A | | | | | | | | |
| | 300 | | | 2137.0 | | | | | | | | | | | | | | | |
| | 600 | | | 2124.5 | | | | | | | | | | | | | | | |
| 12 | 150 | 57.1 | | 2099.5 | N/A | 152.4 | N/A | 219.5 | 254.0 | 298.5 | N/A | | | | | | | | |
| | 300 | | | 2092.5 | | | | | | | | | | | | | | | |
| | 600 | | | 2078.8 | | | | | | | | | | | | | | | |
| 14 | 150 | 69.8 | | 2042.3 | N/A | 152.4 | N/A | 219.5 | 323.9 | 355.6 | | | | | | | | | |
| | 300 | | | 2036.5 | | | | | | | | | | | | | | | |
| | 600 | | | 2019.3 | | | | | | | | | | | | | | | |
| 16 | 150 | 69.8 | 2003.1 | N/A | 254.0 | N/A | 219.5 | 323.9 | 355.6 | | | | | | | | | | |
| | 300 | | 1997.7 | | | | | | | | | | | | | | | | |
| | 600 | | 1973.8 | | | | | | | | | | | | | | | | |
| 20 | 150 | 69.8 | 1915.4 | N/A | 254.0 | N/A | 219.5 | 323.9 | 355.6 | | | | | | | | | | |
| | 300 | 82.5 | 1908.3 | | | | | | | | | | | | | | | | |
| | 600 | 82.5 | 1882.8 | | | | | | | | | | | | | | | | |
| 24 | 150 | 69.8 | 1838.3 | N/A | 254.0 | N/A | 219.5 | 323.9 | 355.6 | | | | | | | | | | |
| | 300 | 88.8 | 1823.3 | | | | | | | | | | | | | | | | |
| | 600 | 101.6 | 1789.3 | | | | | | | | | | | | | | | | |

Table 5. V270 Envelope Dimensions, ØE and Approximate Weight

| VALVE SIZE, NPS | PRESSURE CLASS | Keyway Dia. (∅) | A | B | ∅E | | | | | APPROXIMATE WEIGHT | | | | | | | | | | | | | |
|-----------------|----------------|-----------------|--------|--------|-----------------------|-------|-----|-----|-----|----------------------|-------|-----|-----|-----|-----|------|-----|-----|-----|-----|-----|-----|-----|
| | | | | | G1 | G2 | G3 | G4 | G5 | G1 | G2 | G3 | G4 | G5 | | | | | | | | | |
| | | | inch | | Bettis Actuator, inch | | | | | Bettis Actuator, lbs | | | | | | | | | | | | | |
| 6 | 150 | 1-5/8 | 96 | 87.72 | 0.694 | 0.820 | N/A | N/A | N/A | 500 | 512 | 490 | 547 | N/A | | | | | | | | | |
| | 300 | | | 87.48 | | | | | | | | | | | | | | | | | | | |
| | 600 | | | 87.32 | | | | | | | | | | | | | | | | | | | |
| 8 | 150 | 1-5/8 | | 85.78 | | | | | | 0.694 | 0.820 | N/A | N/A | | N/A | 491 | 503 | 481 | 538 | N/A | | | |
| | 300 | | | 85.78 | | | | | | | | | | | | | | | | | | | |
| | 600 | | | 85.54 | | | | | | | | | | | | | | | | | | | |
| 10 | 150 | 2-1/4 | | 84.37 | | | | | | 0.694 | 0.820 | N/A | N/A | | N/A | 520 | 532 | 681 | 707 | | N/A | | |
| | 300 | | | 84.14 | | | | | | | | | | | | | | | | | | | |
| | 600 | | | 83.64 | | | | | | | | | | | | | | | | | | | |
| 12 | 150 | 2-1/4 | | 82.66 | | | | | | 0.694 | 0.820 | N/A | N/A | | N/A | 512 | 524 | 669 | 696 | | | N/A | |
| | 300 | | | 82.38 | | | | | | | | | | | | | | | | | | | |
| | 600 | | | 81.84 | | | | | | | | | | | | | | | | | | | |
| 14 | 150 | 2-3/4 | 80.41 | 0.694 | 0.820 | N/A | N/A | N/A | 512 | 981 | 1048 | 970 | N/A | | | | | | | | | | |
| | 300 | | 80.18 | | | | | | | | | | | | | | | | | | | | |
| | 600 | | 79.50 | | | | | | | | | | | | | | | | | | | | |
| 16 | 150 | 2-3/4 | 78.86 | 0.694 | 0.820 | N/A | N/A | N/A | 505 | 968 | 1035 | 957 | | N/A | | | | | | | | | |
| | 300 | | 78.65 | | | | | | | | | | | | | | | | | | | | |
| | 600 | | 77.71 | | | | | | | | | | | | | | | | | | | | |
| 20 | 150 | 2-3/4 | 75.41 | 0.694 | 0.820 | N/A | N/A | N/A | 489 | 944 | 1011 | 933 | | | N/A | | | | | | | | |
| | 300 | | 75.13 | | | | | | | | | | | | | | | | | | | | |
| | 600 | | 74.13 | | | | | | | | | | | | | | | | | | | | |
| 24 | 150 | 2-3/4 | 72.37 | 0.694 | 0.820 | N/A | N/A | N/A | N/A | 914 | 980 | 902 | | | | N/A | | | | | | | |
| | 300 | | 71.78 | | | | | | | | | | | | | | | | | | | | |
| | 600 | | 70.45 | | | | | | | | | | | | | | | | | | | | |
| 24 | 4 | | | | | | | | | | | | | | | | | | | | | | |
| | | | | | | | | | | | | | | | | | | | | | | | |
| | | | mm | | Bettis Actuator, mm | | | | | Bettis Actuator, kg | | | | | | | | | | | | | |
| 6 | 150 | 41.3 | 2438.4 | 2228.1 | 17.6 | 20.8 | N/A | N/A | N/A | 227 | 232 | 222 | 248 | N/A | | | | | | | | | |
| | 300 | | | 2221.9 | | | | | | | | | | | | | | | | | | | |
| | 600 | | | 2217.9 | | | | | | | | | | | | | | | | | | | |
| 8 | 150 | 41.3 | | 2178.9 | | | | | | 17.6 | 20.8 | N/A | N/A | | N/A | | 223 | 228 | 218 | 244 | N/A | | |
| | 300 | | | 2178.9 | | | | | | | | | | | | | | | | | | | |
| | 600 | | | 2172.7 | | | | | | | | | | | | | | | | | | | |
| 10 | 150 | 57.1 | | 2143.0 | | | | | | 17.6 | 20.8 | N/A | N/A | | N/A | 236 | 241 | 309 | 321 | N/A | | | |
| | 300 | | | 2137.0 | | | | | | | | | | | | | | | | | | | |
| | 600 | | | 2124.5 | | | | | | | | | | | | | | | | | | | |
| 12 | 150 | 57.1 | | 2099.5 | | | | | | 17.6 | 20.8 | N/A | N/A | | N/A | 27.2 | 232 | 238 | 303 | | | 316 | N/A |
| | 300 | | | 2092.5 | | | | | | | | | | | | | | | | | | | |
| | 600 | | | 2078.8 | | | | | | | | | | | | | | | | | | | |
| 14 | 150 | 69.8 | 2042.3 | 17.6 | 20.8 | N/A | N/A | N/A | 232 | 445 | 475 | 440 | N/A | | | | | | | | | | |
| | 300 | | 2036.5 | | | | | | | | | | | | | | | | | | | | |
| | 600 | | 2019.3 | | | | | | | | | | | | | | | | | | | | |
| 16 | 150 | 69.8 | 2003.1 | 17.6 | 20.8 | N/A | N/A | N/A | 229 | 439 | 469 | 434 | | N/A | | | | | | | | | |
| | 300 | | 1997.7 | | | | | | | | | | | | | | | | | | | | |
| | 600 | | 1973.8 | | | | | | | | | | | | | | | | | | | | |
| 20 | 150 | 69.8 | 1915.4 | 17.6 | 20.8 | N/A | N/A | N/A | 222 | 428 | 459 | 423 | | | N/A | | | | | | | | |
| | 300 | | 1908.3 | | | | | | | | | | | | | | | | | | | | |
| | 600 | | 1882.8 | | | | | | | | | | | | | | | | | | | | |
| 24 | 150 | 69.8 | 1838.3 | 17.6 | 20.8 | N/A | N/A | N/A | N/A | 415 | 445 | 409 | | | | N/A | | | | | | | |
| | 300 | | 1823.3 | | | | | | | | | | | | | | | | | | | | |
| | 600 | | 1789.3 | | | | | | | | | | | | | | | | | | | | |
| 24 | 150 | 88.8 | 1838.3 | 17.6 | 20.8 | N/A | N/A | N/A | N/A | 414 | 492 | 457 | N/A | | | | | | | | | | |
| | 300 | | 1823.3 | | | | | | | | | | | | | | | | | | | | |
| | 600 | | 1789.3 | | | | | | | | | | | | | | | | | | | | |
| 24 | 150 | 101.6 | 1789.3 | 17.6 | 20.8 | N/A | N/A | N/A | N/A | 414 | 492 | 457 | | N/A | | | | | | | | | |
| | 300 | | 1823.3 | | | | | | | | | | | | | | | | | | | | |
| | 600 | | 1789.3 | | | | | | | | | | | | | | | | | | | | |

Neither Emerson, nor any of their affiliated entities assumes responsibility for the selection, use or maintenance of any product. Responsibility for proper selection, use, and maintenance of any product remains solely with the purchaser and end user.

Fisher is a mark owned by one of the companies in the Emerson business unit of Emerson Electric Co. Emerson, and the Emerson logo are trademarks and service marks of Emerson Electric Co. All other marks are the property of their respective owners.

The contents of this publication are presented for informational purposes only, and while every effort has been made to ensure their accuracy, they are not to be construed as warranties or guarantees, express or implied, regarding the products or services described herein or their use or applicability. All sales are governed by our terms and conditions, which are available upon request. We reserve the right to modify or improve the designs or specifications of such products at any time without notice.

Emerson
Marshalltown, Iowa 50158 USA
Sorocaba, 18087 Brazil
Cernay, 68700 France
Dubai, United Arab Emirates
Singapore 128461 Singapore

www.Fisher.com

