

Fisher™ FIELDVUE™ DVC6200 Series

Digital Valve Controllers and Magnet Array Dimensions

Digital Valve Controller	Configuration ⁽¹⁾	Mounting	Figure	Page
DVC6200 DVC6200 SIS DVC6200f DVC6200p	Integral mounting to the Fisher 657/667 size i or GX actuator	With integrally mounted filter regulator	1	2 & 3
	Integral mounting to Fisher rotary actuators			
	Sliding-stem linear applications			
	Quarter-turn rotary applications			
DVC6205 DVC6205 SIS DVC6205f DVC6205p	Remote mount base unit	---	2	4
DVC6515	Remote mount base unit	---	3	5

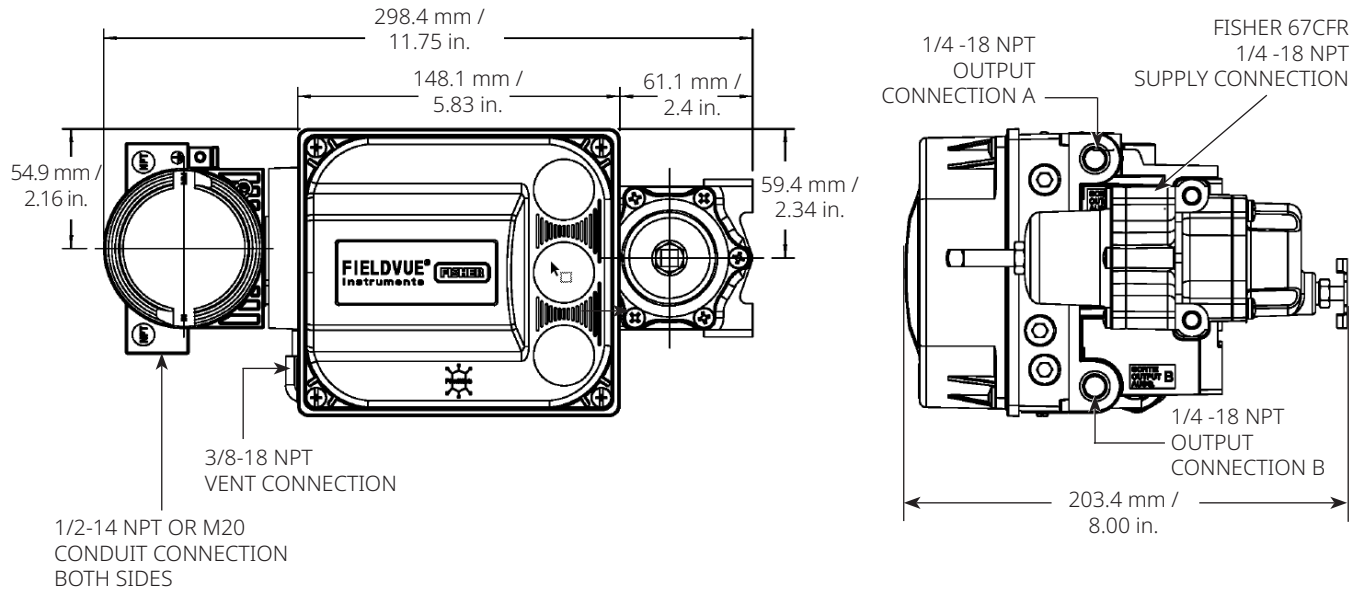
1. DVC6200 digital valve controllers can also be mounted on other actuators that comply with IEC 60534-6-1, IEC 60534-6-2, VDI/VDE 3845 and NAMUR mounting standards.

Magnet Array ⁽¹⁾		Figure	Page
SStem #7	7 mm / 1/4 inch	4	6
SStem #19	19 mm / 3/4 inch	5	6
SStem #25	25 mm / 1 inch	6	7
SStem #38	38 mm / 1-1/2 inch	7	7
SStem #50	50 mm / 2 inch	8	8
SStem #110	110 mm / 4-1/8 inch	9	8
SStem #220	210 mm / 8-1/4 inch	10	9
RShaft #1 / LRC ⁽²⁾	Fisher 2052 Size 2 & 3, 1051/1052 Size 40-70, 1061 Size 30-100, Sliding Stem > 210 mm / 8.25 inches	11	10
RShaft #2 / LRC ⁽²⁾	2052 Size 1, 1051/1052 Size 20-33	11	10
RShaft End	90 degree	12	11

1. Linear magnet array width dimensions are shown in Figure 7.
2. Linear Roller Cam.

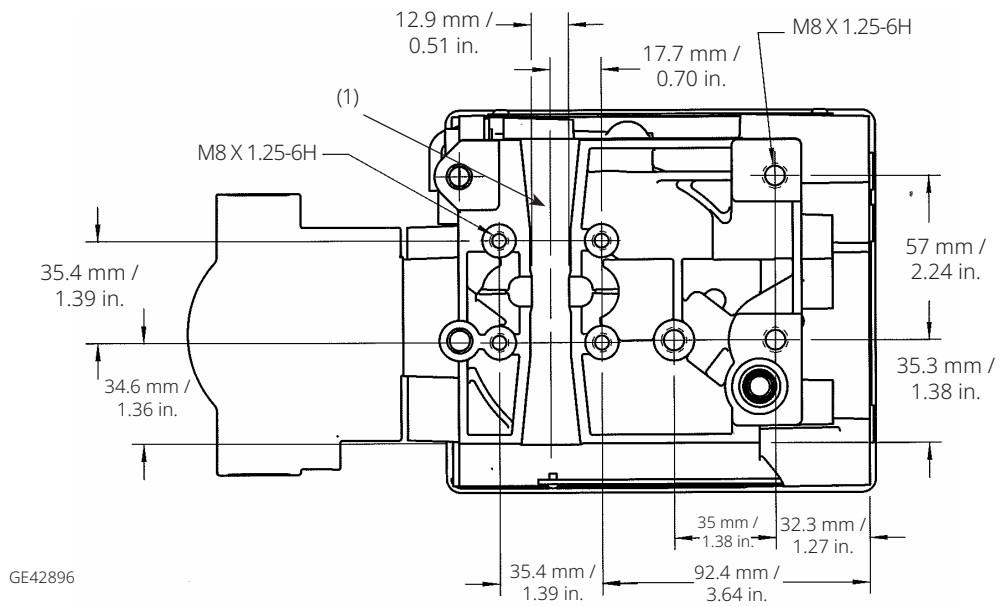
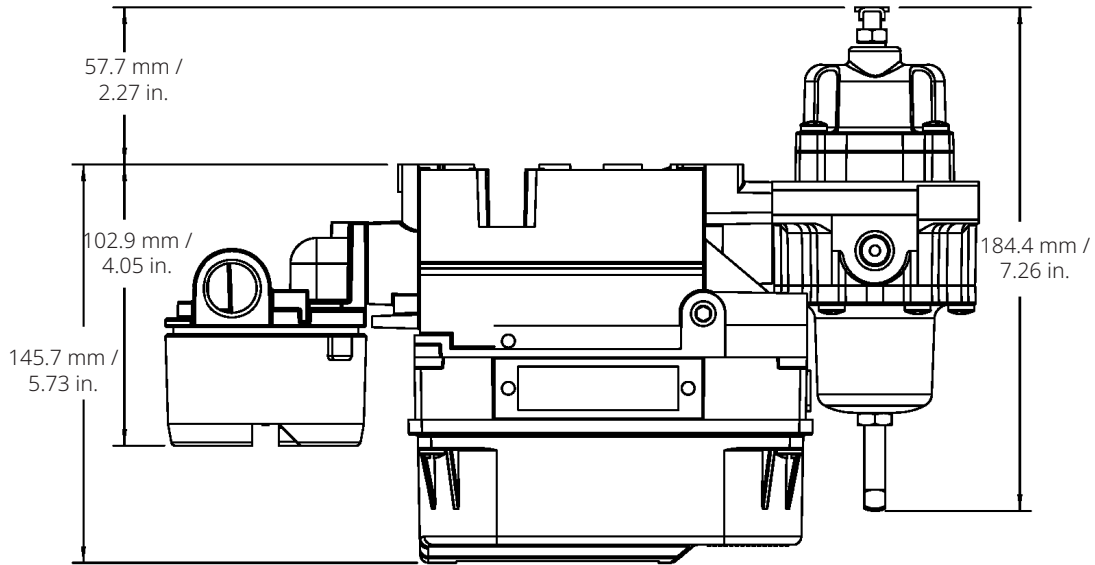
DVC6200 Series Digital Valve Controllers

Figure 1. FIELDVUE DVC6200, DVC6200 SIS, DVC6200f, and DVC6200p Digital Valve Controller with Integrally Mounted Filter Regulator



GE42896

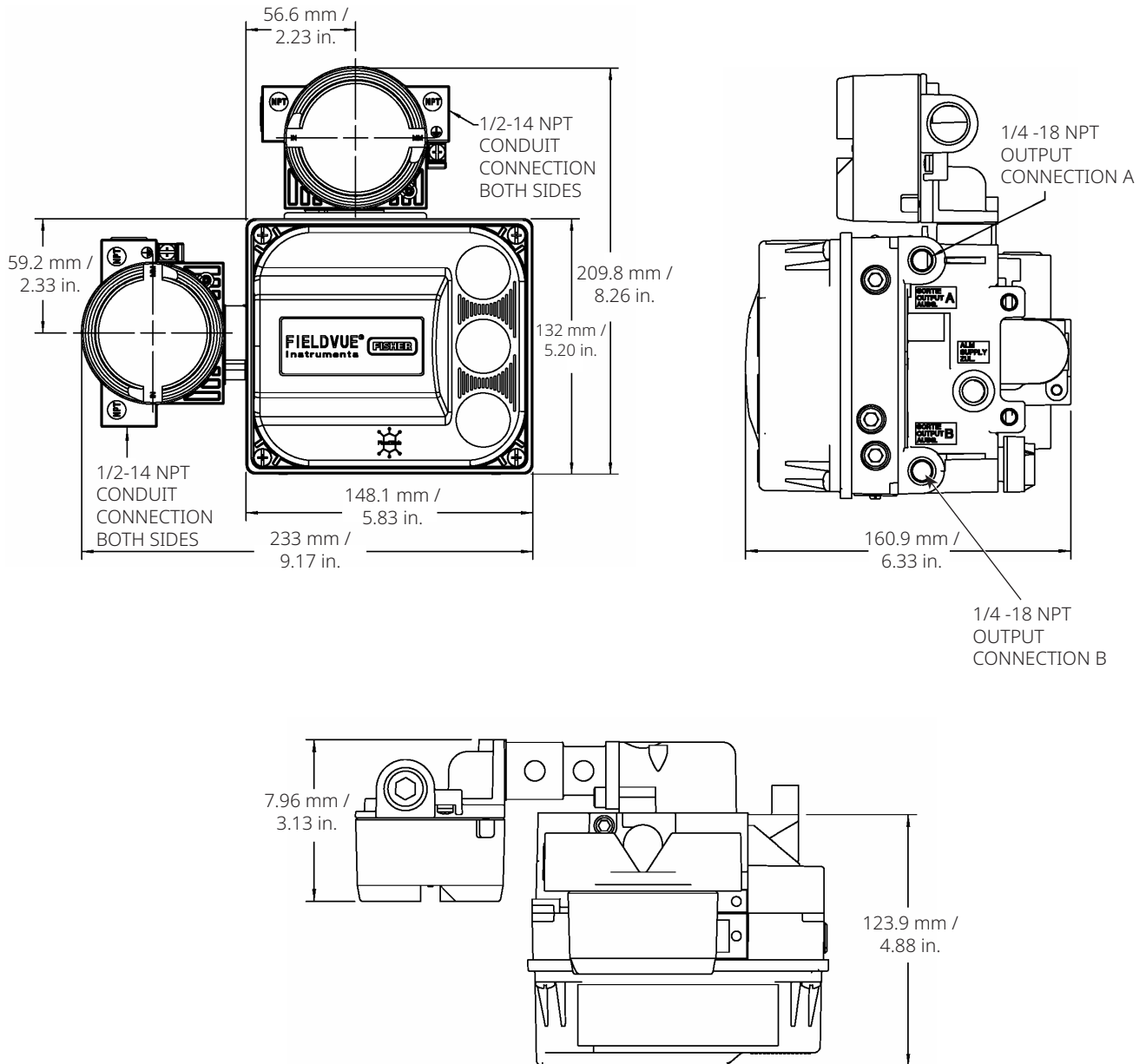
Figure 1. FIELDVUE DVC6200, DVC6200 SIS, DVC6200f, and DVC6200p Digital Valve Controller with Integrally Mounted Filter Regulator (continued)



BACK VIEW
(REGULATOR NOT SHOWN)

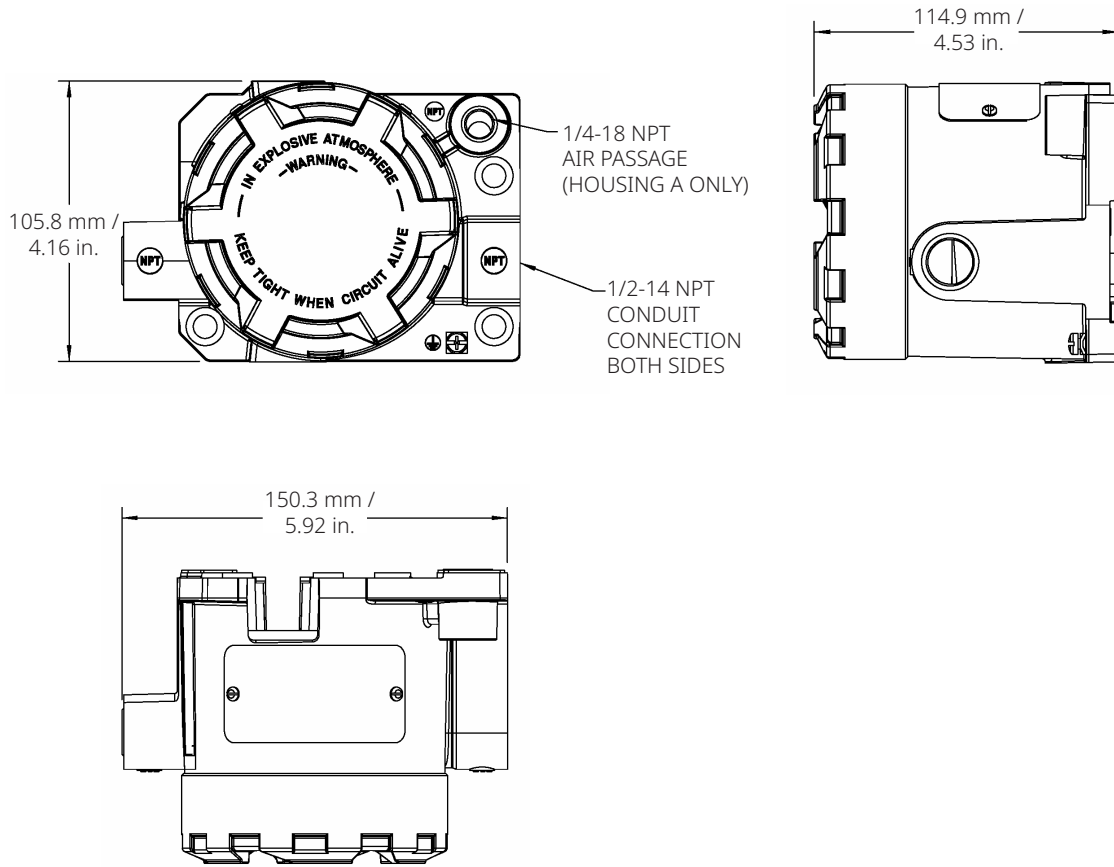
1. Housing insert for SSTEM #210 magnet array (Figure 10) inserted here.

Figure 2. FIELDVUE DVC6205, DVC6205 SIS, DVC6205f, and DVC6205p Remote Mount Base Unit



GE53722

Figure 3. FIELDVUE DVC6215 Feedback Unit Envelope Dimensions

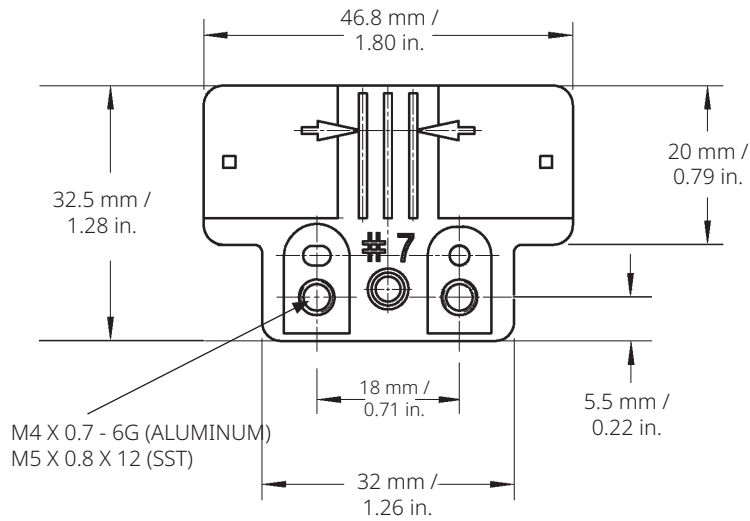


GE53725

Note: Mounting hole locations for the DVC6215 feedback unit are the same as for the DVC6200, DVC6200 SIS, DVC6200f, and DVC6200p digital valve controller. Refer to the back view in Figure 1.

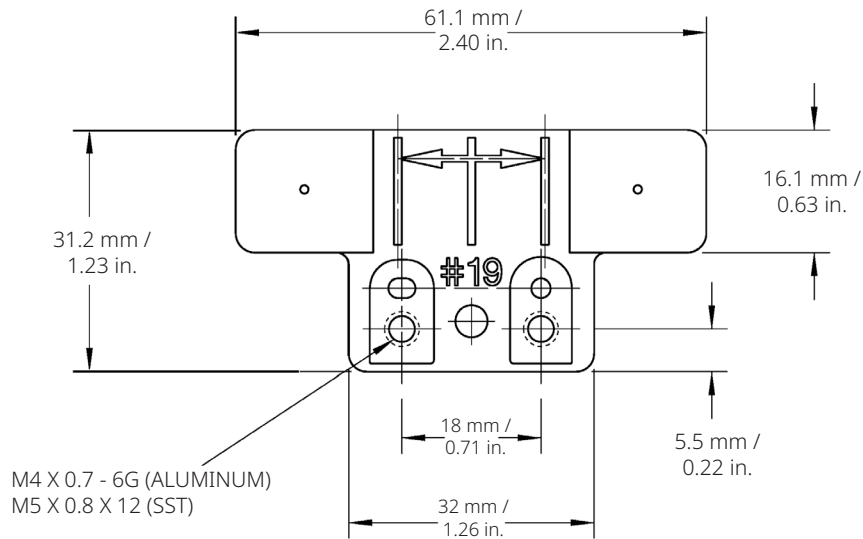
Magnet Arrays

Figure 4. SStem #7 Magnet Array (also see ⁽¹⁾ in Figure 7)



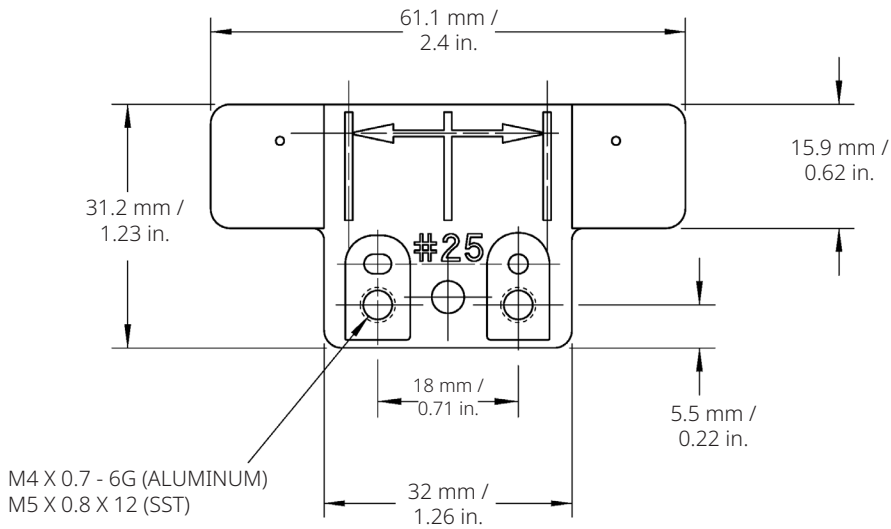
4.2 to 7 mm / 0.17 to 0.28 in. TRAVEL RANGE

Figure 5. SStem #19 Magnet Array (also see ⁽¹⁾ in Figure 7)



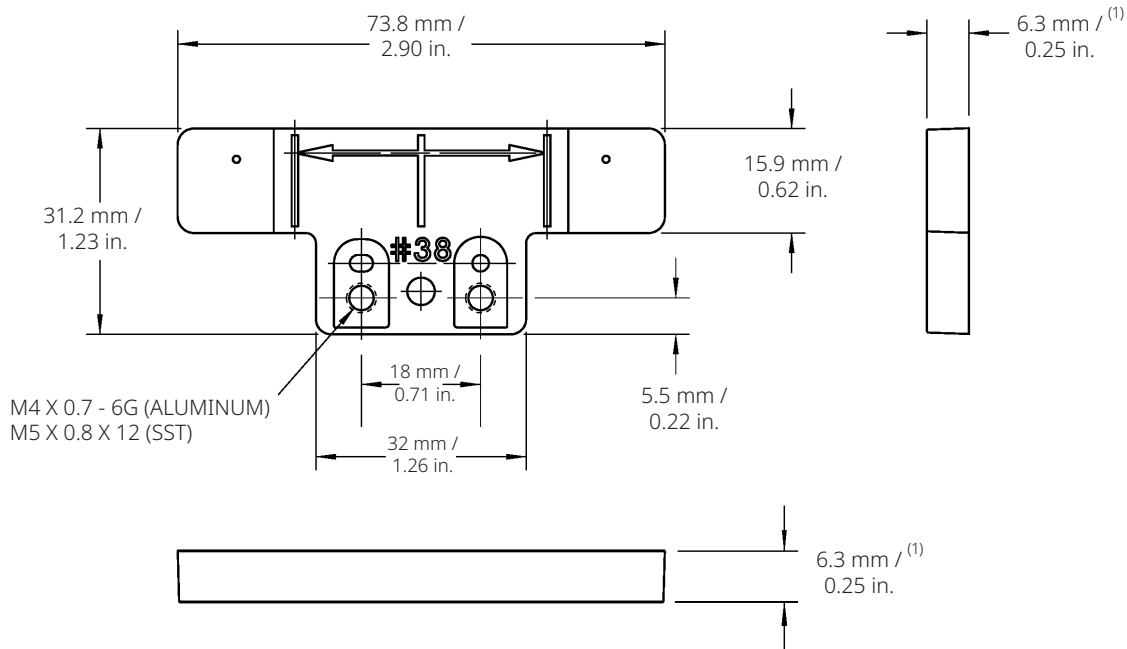
8 to 19 mm / 0.32 to 0.75 in. TRAVEL RANGE

Figure 6. SStem#25 Magnet Array (also see ⁽¹⁾ in Figure 7)



20 to 25 mm / 0.76 to 1.00 in. TRAVEL RANGE

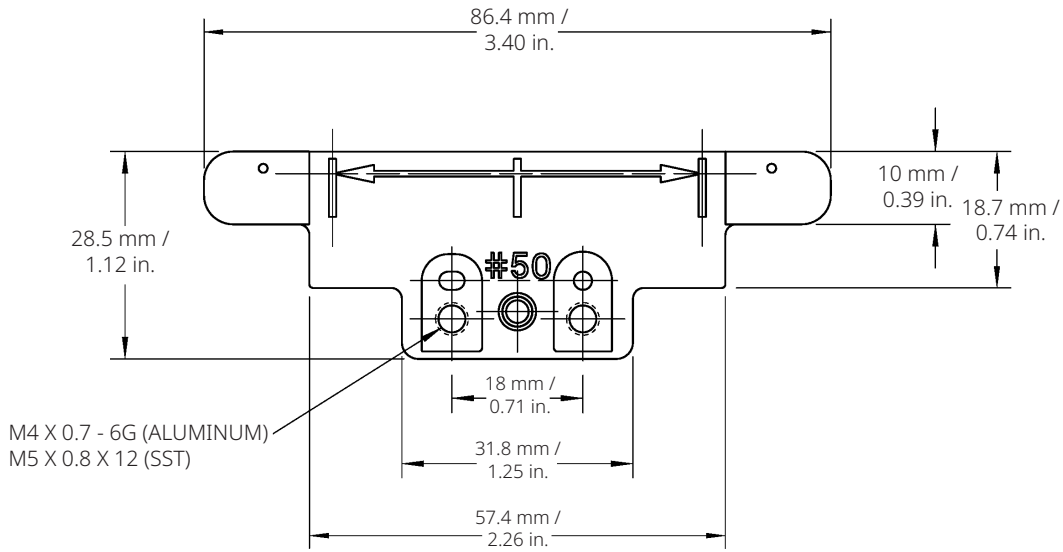
Figure 7. SStem #38 Magnet Array



26 to 38 mm / 1.01 to 1.50 in. TRAVEL RANGE

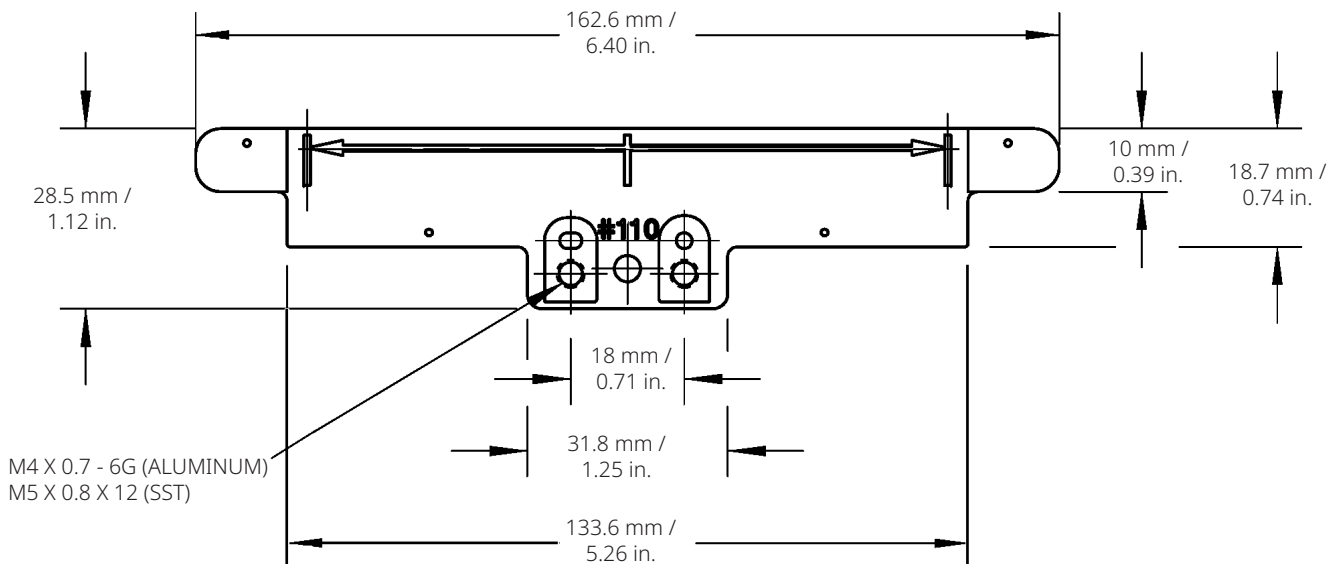
1. Linear magnet array width dimensions

Figure 8. SStem #50 Magnet Array (also see ⁽¹⁾ in Figure 7)



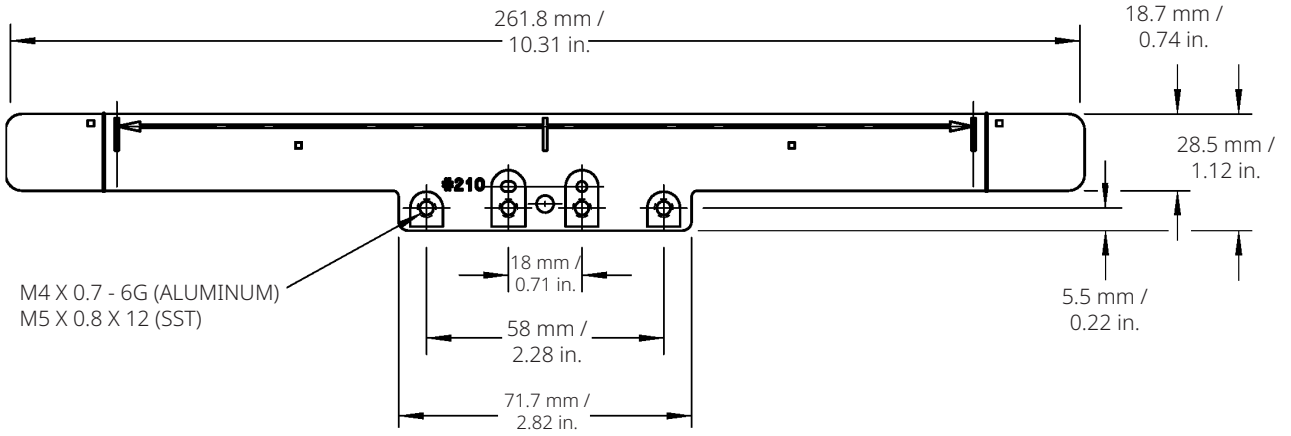
39 to 50 mm / 1.51 to 2.00 in. TRAVEL RANGE

Figure 9. SStem #110 Magnet Array (also see (1) in Figure 7)

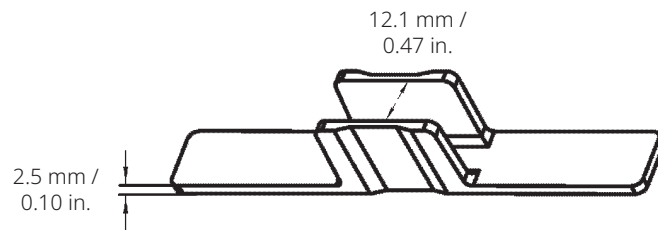


51 to 110 mm / 2.01 to 4.125 in. TRAVEL RANGE

Figure 10. SStem #210 Magnet Array (also see ⁽¹⁾ in Figure 7)



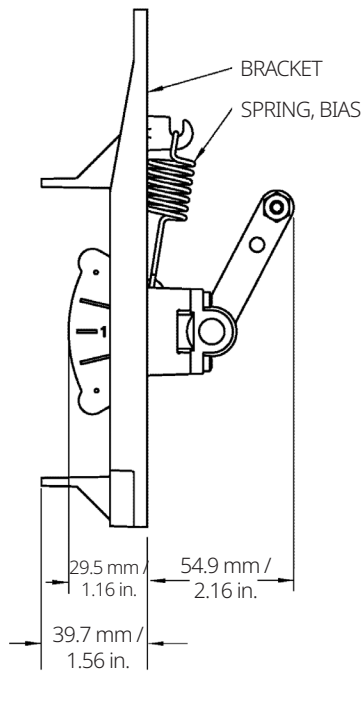
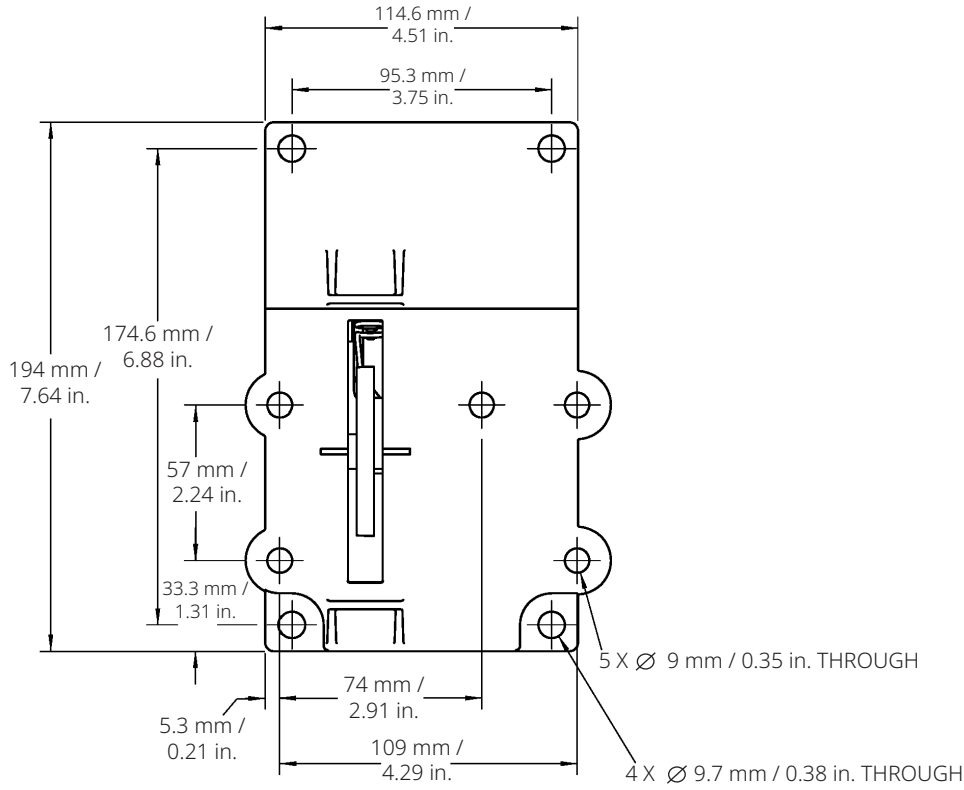
111 to 210 mm / 4.126 to 8.25 in. TRAVEL RANGE



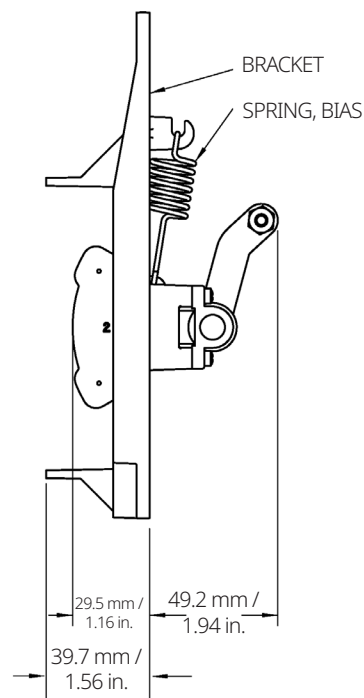
HOUSING INSERT FOR SSTEM #210 MAGNET ARRAY⁽¹⁾

1. Refer to back view of Figure 1 for housing insert placement.

Figure 11. RShaft Window Mount Magnet Assemblies

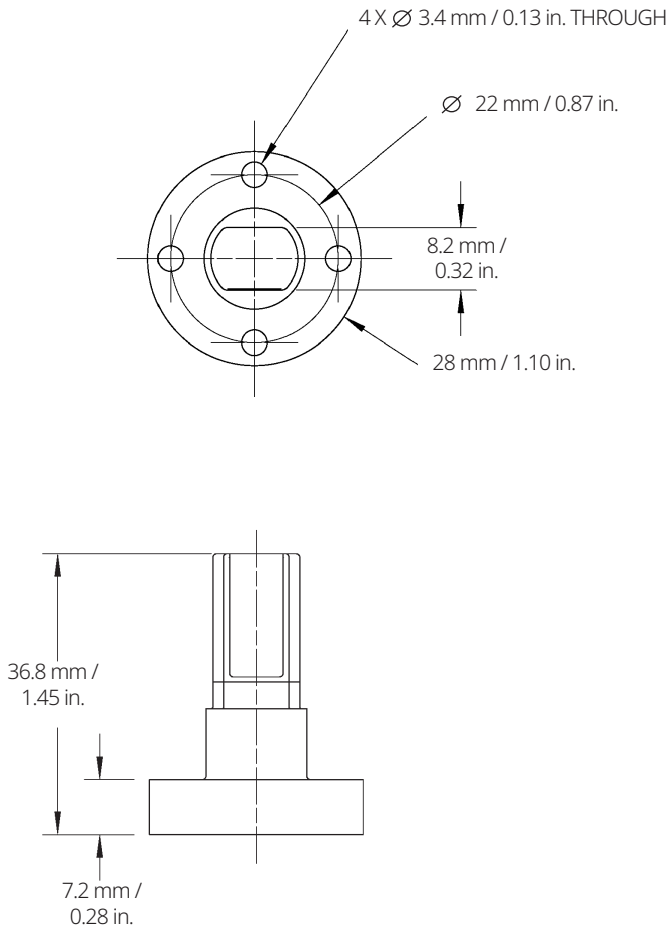


RSHAFT WINDOW #1



RSHAFT WINDOW #2

Figure 12. RShaft End Mount Magnet Assembly



Related Documents

- DVC6200 Digital Valve Controller Product Bulletin ([D103415X012](#))
- DVC6200 SIS Digital Valve Controller Product Bulletin ([D103555X012](#))
- DVC6200f Digital Valve Controller Product Bulletin ([D103399X012](#))
- DVC6200p Digital Valve Controller Product Bulletin ([D103564X012](#))

Documents are available from your [Emerson sales office](#) or at [Fisher.com](#).



Fisher.com



[Facebook.com/FisherValves](#)



[LinkedIn.com/groups/3941826](#)



[X.com/FisherValves](#)

D103543012 © 2011, 2024 Fisher Controls International LLC. All rights reserved.

Neither Emerson, nor any of its affiliated entities assume responsibility for the selection, use or maintenance of any product. Responsibility for proper selection, use, and maintenance of any product remains solely with the purchaser and end user.

Fisher and FIELDVUE are marks owned by one of the companies in the Emerson business unit of Emerson Electric Co. Emerson and the Emerson logo are trademarks and service marks of Emerson Electric Co. All other marks are the property of their respective owners.

The contents of this publication are presented for informational purposes only, and while every effort has been made to ensure their accuracy, they are not to be construed as warranties or guarantees, express or implied, regarding the products or services described herein or their use or applicability. All sales are governed by our terms and conditions, which are available upon request. We reserve the right to modify or improve the designs or specifications of such products at any time without notice.

Emerson
Marshalltown, Iowa 50158 USA
Sorocaba, 18087 Brazil
Cernay, 68700 France
Dubai, United Arab Emirates
Singapore 128461 Singapore

[www.Fisher.com](#)