

Tank Blanketing Regulators



FISHER™ T205 and T208 Series

Introduction

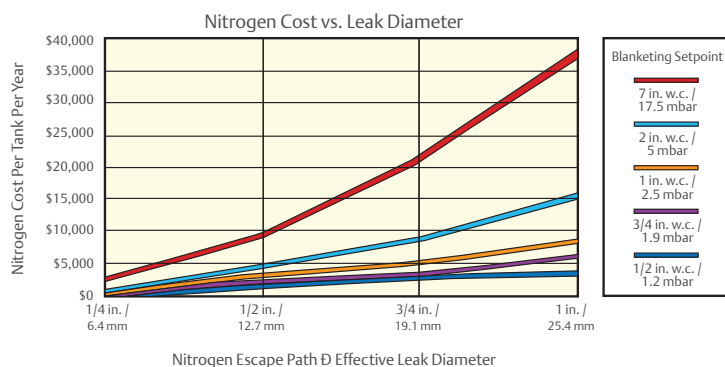
The T205 and T208 Series are direct-operated, tank blanketing regulators. The T205 Series are pressure reducing regulators, while the T208 Series are pressure relief regulators. Together, these regulators provide precise tank blanketing pressure control.

- Specifically designed for pressure-sensitive tank blanketing applications
- Direct-operated for quick response to tank pressure changes
- Internal or external pressure sensing for application flexibility

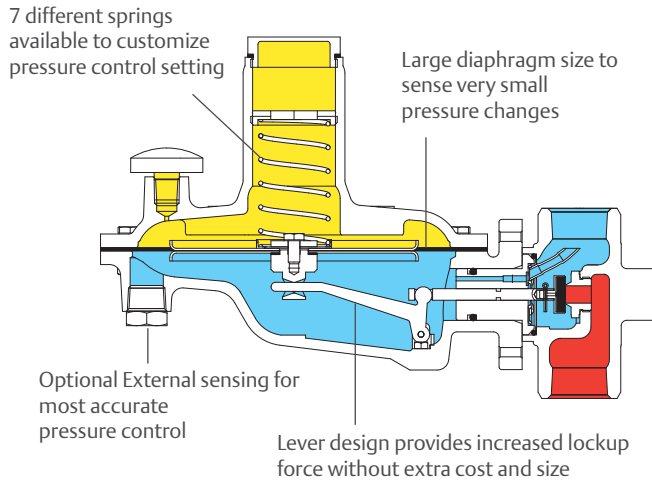
Application

These regulators have been specifically designed for tank blanketing applications. In tank blanketing, a gas such as nitrogen is brought into the tank in order to inert the vapor space above the liquid. This application is characterized by low pressure. The T205 and T208 Series are able to maintain very low pressure setpoints and respond to very small changes in pressure.

By introducing the least amount of gas required into a tank, the volume of gas that escapes through poorly sealed vents and other paths is reduced. In this way, significant blanketing gas costs can be saved. In order to accomplish this, a regulator that can sense very low pressures, such as the Type T205, is required.

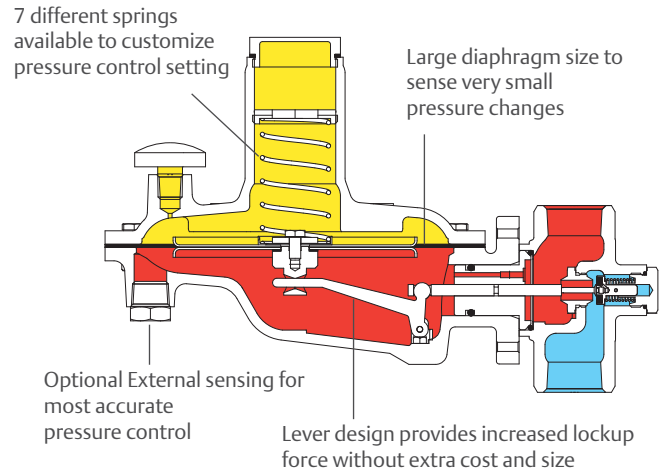


Tank Blanketing Regulators



TYPE T205

■ INLET PRESSURE
■ OUTLET PRESSURE
■ ATMOSPHERIC PRESSURE



TYPE T208

■ INLET PRESSURE
■ OUTLET PRESSURE
■ ATMOSPHERIC PRESSURE



A variety of trim materials are available, designed to withstand the toughest tank environments.

Durable casing and body, designed for many years of service. Available in 316L stainless steel for greater chemical resistance.

- Sizes: 3/4 and 1 in.
- Body and Casing Materials: Cast Iron, Steel, Stainless steel (316L)
- End Connections: NPT, CL150 RF, CL300 RF, PN 16/25/40
- Maximum Inlet Pressure: 200 psig / 13.8 bar
- Control Pressure Range: 1 in. w.c. to 7 psig / 2 mbar to 0.48 bar
- Trim Materials: FEP, NBR, FKM, FFKM, EPDM

Emerson Automation Solutions

Americas

T +1 800 558 5853
T +1 972 548 3574

Europe






T +39 051 419 0611

Asia Pacific

T +65 6777 8211

Middle East / Africa

T +971 4811 8100

-  webadmin.regulators@emerson.com
-  Fisher.com
-  Facebook.com/EmersonAutomationSolutions
-  LinkedIn.com/company/emerson-automation-solutions
-  Twitter.com/emr_automation



The distinctive diamond shape cast into every spring case uniquely identifies the regulator as part of the Fisher™ brand and assures you of the highest-quality engineering, durability, performance and support.

