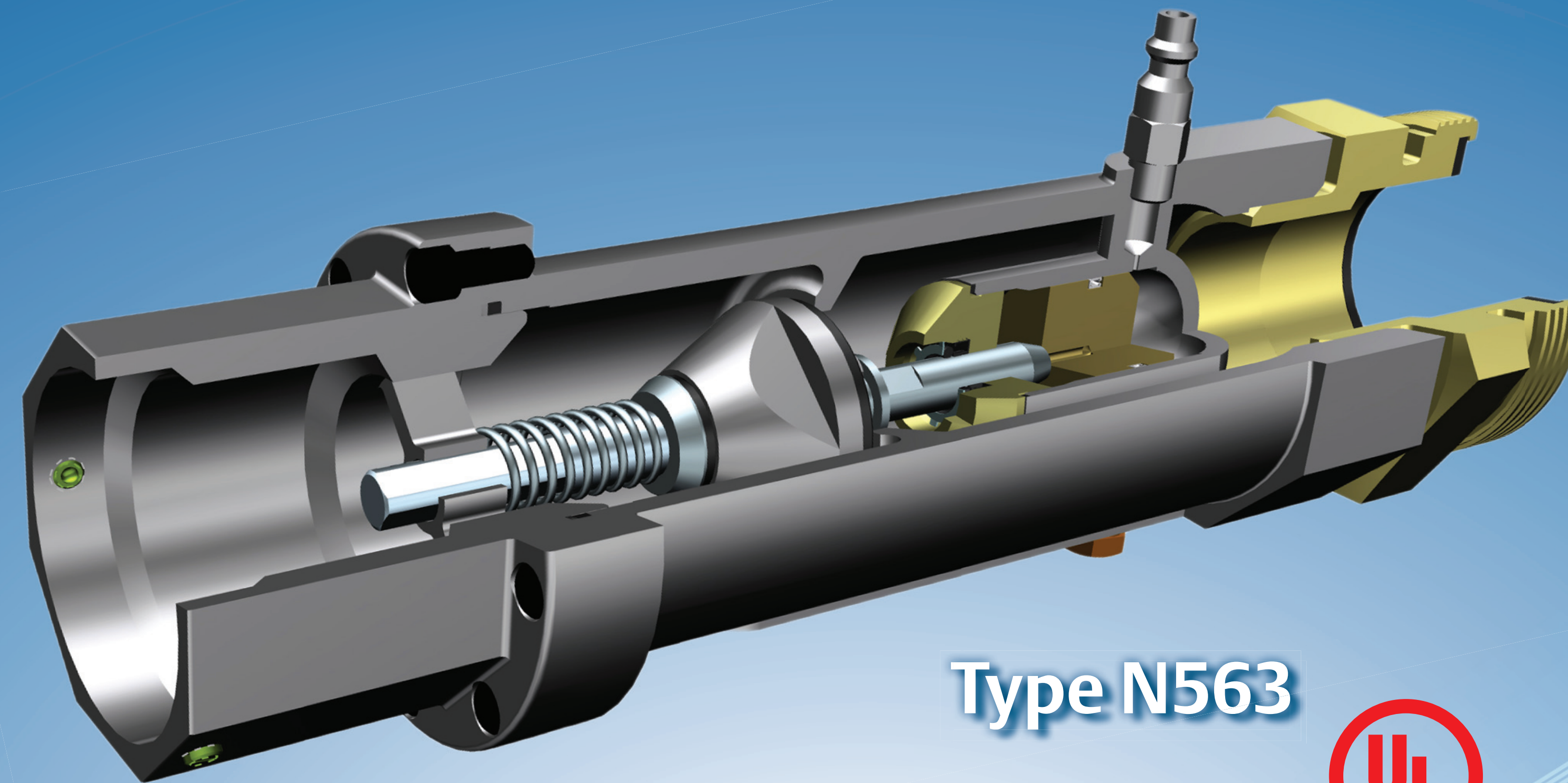


Fisher® Innovation: Railcar Fluid Transfer

High Flow Emergency Shutoff Valve



Type N563



Specifically designed to protect
railcar loading and unloading systems

