

Commercial service reliability



FISHER™ CS200 Series

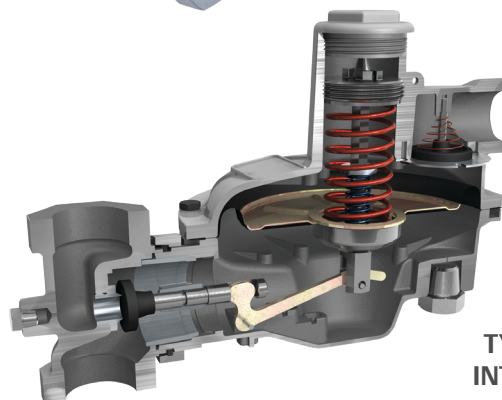
The CS200 Series direct-operated, spring-loaded regulators have been engineered to fit a multitude of pressure-reducing applications including commercial and light industrial installations. This flexibility is provided by the numerous body sizes, outlet pressure settings and orifice sizes. Ease of maintenance and installation is also a strength of the CS200 Series, which offers a full 360-degrees of rotation of the actuator via the union ring connection between the body and casing. The combination of 360-degree rotatable union ring along with a rotatable upper casing provide simplified vent position, especially in tight spaces or awkward installations. The CS200 Series also offers Overpressure Protection in the form of Internal relief and Secondary Seat™ Protection.

Product Advantages

- Internal registration provides compact installation
- Ideal 3/4 to 1-1/4-in. applications up to 3.8M BTU LP-Gas
- Inlet and outlet gauge taps
- Improved corrosion resistance
- Wide range of NPT body sizes
- Lower cost of ownership/reduced time and expense for
 - Training
 - Installation
 - Maintenance



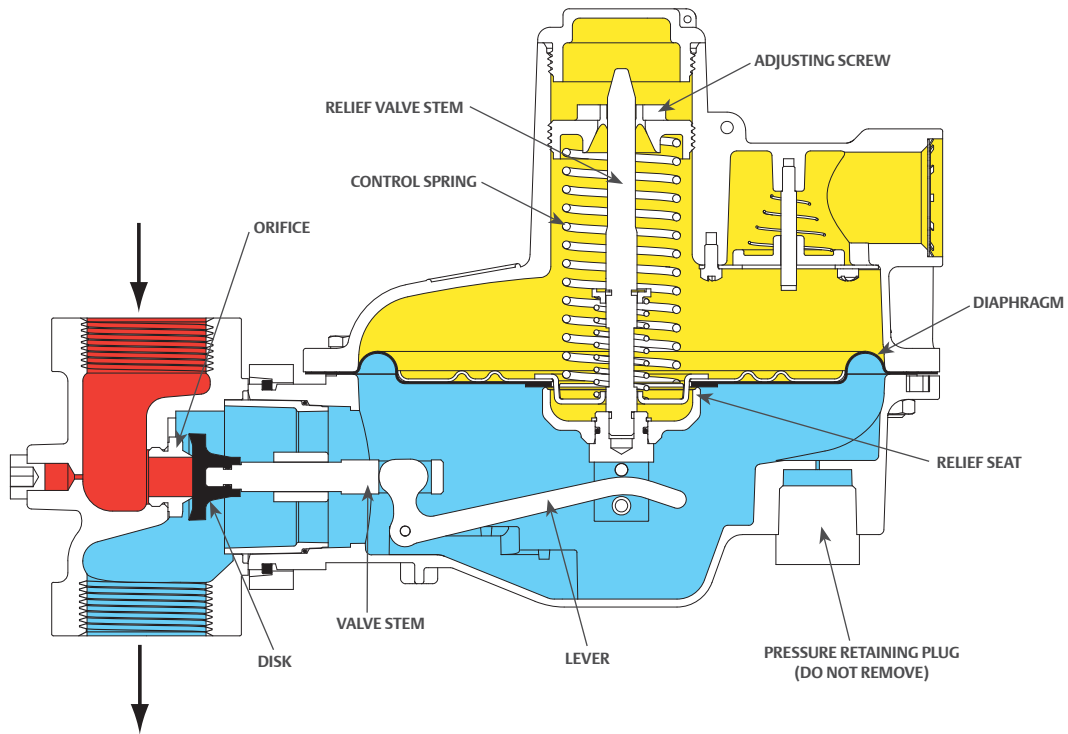
CS200 SERIES



TYPICAL CS200
INTERNAL RELIEF



Operational schematic



**TYPE CS200IR REGULATOR
WITH RELIEF**

M1131

- INLET PRESSURE
- OUTLET PRESSURE
- ATMOSPHERIC PRESSURE

CS200 Series features

- **Operation:** NPS 1 and 2 / DN 25 and 50
- **Body size:** 3/4, 3/4 x 1, 3/4 x 1-1/4, 1, 1 x 1-1/4, 1-1/4 NPT
- **Maximum inlet pressure:** Up to 175 psig / 12.1 bar
- **Outlet pressure range:** 3.5-in. w.c. to 2.0 psig / 9 mbar to 0.14 bar
- **Maximum outlet (casing) pressure:** 25 psig / 1.7 bar
- **Temperature capabilities:** -20 to 150°F / -29 to 66°C
- **Spring case vent connection:** 1 NPT
- **Pressure registration:** Internal
- **Body material:** Gray cast iron



The distinctive swirl pattern cast into every actuator casing uniquely identifies the regulator as part of the Fisher® brand Commercial Service Regulator family and assures you of the highest-quality engineering, performance and support traditionally associated with Fisher, Francel™, and Tartarini™ regulators. Visit www.fishercommercialservice.com to access interactive applications.

Emerson Automation Solutions

Americas

T +1 800 558 5853
T +1 972 548 3574

Europe

T +39 051 419 0611

Asia Pacific

T +65 6777 8211

Middle East / Africa

T +971 4811 8100

- webadmin.regulators@emerson.com
- Fisher.com
- Facebook.com/EmersonAutomationSolutions
- LinkedIn.com/company/emerson-automation-solutions
- Twitter.com/emr_automation