

Flexim FLUXUS G731 Ultrasonic Flowmeter





Table of contents

1	Introduction	7
2	Safety instructions	8
2.1	General safety instructions	8
2.2	Intended use	8
2.3	Not intended use	9
2.4	Safety instructions for the user	9
2.5	Safety instructions for the operator	9
2.6	Safety instructions for electrical work	9
2.7	Safety instructions for transport	10
2.8	Recommended procedure in hazardous situations	10
3	General principles	11
3.1	Measurement principle	11
3.2	Measurement arrangements	15
3.3	Acoustic penetration	17
3.4	Undisturbed flow profile	17
3.5	Influence of noise	20
3.6	Selection of the measuring point taking into account the flow profile and the influence of noise	21
4	Product description	23
4.1	Measuring system	23
4.2	Handling concept	23
4.3	Display	25
4.4	Keyboard	26
5	Transport and storage	27
5.1	Transport	27
5.2	Storage	27
6	Mounting	28
6.1	Transmitter	29
6.2	Transducers	33
6.3	Temperature probe	66
6.4	Pressure transmitter	70
7	Connection	72
7.1	Transducers	73
7.2	Power supply	85
7.3	Outputs	86
7.4	Inputs	89
7.5	Temperature probe	90
7.6	Pressure transmitter	94
7.7	Service interfaces	98
8	Start-up	99
8.1	Start-up settings	100
8.2	Switching on	100
8.3	Status indications	101
8.4	Language	101
8.5	Initialization	101
8.6	Date and time	102
8.7	Information regarding the transmitter	102

9	Measurement	103
9.1	Parameter input	104
9.2	Configuration of an output	113
9.3	Start of measurement	121
9.4	Field calibration DGM (optional)	123
9.5	Display during the measurement	125
9.6	Execution of special functions	129
9.7	Stop of measurement	130
10	Troubleshooting	131
10.1	Problems with the measurement	132
10.2	Measuring point selection	132
10.3	Maximum acoustic contact	132
10.4	Application-specific problems	133
10.5	Significant deviations of the measured values	133
10.6	Problems with the totalizers	133
11	Maintenance and cleaning	134
11.1	Maintenance	135
11.2	Cleaning	135
11.3	Calibration	135
12	Dismounting and disposal	136
12.1	Dismounting	136
12.2	Disposal	136
13	User modes	137
13.1	StandardUser mode	138
13.2	ExpertUser mode	140
13.3	SuperUser mode and SuperUser ext. mode	145
14	Outputs	153
14.1	Configuration of a digital output as binary output	153
14.2	Configuration of a digital output as pulse output	156
14.3	Configuration of a digital output as frequency output	159
15	Inputs	162
15.1	Configuration of an input	162
15.2	Assignment of an input	165
16	Data logger	166
16.1	Configuration of the data logger	166
16.2	Deletion of the data logger	170
16.3	Information regarding the data logger	170
17	Data transmission	171
17.1	Service interfaces	171
17.2	Process interface	172
18	Advanced functions	173
18.1	Totalizers	173
18.2	FastFood mode	175
18.3	Diagnosis with the help of the snap function	176
18.4	Modification of the limit for the inner pipe diameter	178
18.5	Remote functions	178
18.6	Event triggers	180
18.7	Event log	185

19	Settings	186
19.1	Dialogs and menus	186
19.2	Measurement modes	188
19.3	Measurement settings	189
19.4	Units of measurement	190
19.5	Material and fluid scroll list	191
19.6	Working with parameter records	191
19.7	Contrast settings	192
19.8	HotCodes	193
19.9	Key lock	194
20	Gas energy flow rate determination (optional)	195
20.1	Calculation of gas energy flow rate (DGM)	195
20.2	Settings for the HHV calculation	196
20.3	Definition of the physical quantity and the unit of measurement	197

Annex

A	Menu structure	199
B	Units of measurement	217
C	Reference	221
D	Legal information – open source licenses	225
E	Conformity declarations	229




1 Introduction

This operating instruction has been written for users operating the ultrasonic flowmeter FLUXUS. It contains important information about the measuring equipment, how to handle it correctly, and how to avoid damages. Read the safety instructions carefully. Make sure you have read and understood this operating instruction before using the measuring equipment.

Any work on the measuring equipment has to be carried out by authorized and qualified personnel in order to detect and avoid possible risks and dangers.

Presentation of warnings

This operating instruction contains warnings marked as follows:

Danger!	
	<p>Type and source of danger danger with high level of risk, which, if not avoided, can lead to death or serious injuries → measures of prevention</p>
Warning!	
	<p>Type and source of danger danger with medium level of risk, which, if not avoided, can lead to serious or moderate injuries → measures of prevention</p>
Caution!	
	<p>Type and source of danger danger with low level of risk, which, if not avoided, can lead to moderate or minor injuries → measures of prevention</p>
Important!	
This text contains important information which should be observed to avoid material damage.	
Notice!	
This text contains important information about the handling of the measuring equipment.	

Storage of the operating instruction

The operating instruction must permanently be available at the place where the measuring equipment is used. It must always be available to the user.

User comments

All reasonable effort has been made to ensure the correctness of the content of this operating instruction. If you, however, find some erroneous information or miss information, please inform us.

We will be grateful for any suggestions and comments regarding the concept and your experience when working with the measuring equipment. If you have any suggestions about improving the documentation and particularly this operating instruction, please let us know so that we can consider your comments for future reprints.

Copyright

The contents of this operating instruction are subject to changes without prior notice. All rights reserved. No part of this operating instruction may be reproduced in any form without Flexim's written permission.

2 Safety instructions

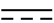
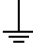





2.1 General safety instructions

Prior to any work, read the operating instruction carefully and in full.

Failure to comply with the instructions, in particular with the safety instructions, poses a risk to health and can lead to material damages. For further information, contact Flexim.

During installation and operation of the measuring equipment, observe the ambient and installation conditions specified in the documentation.

Explanation of symbols on the transmitter and accessories:

symbol	meaning
	direct current
	connection for equipotential bonding/grounding
	protective ground terminal
	Electric devices and batteries must be disposed of separately. If necessary, additional hazardous substances are indicated for disposal.
	Warning! Electric shock possible.
	Observe the operating instruction.
	Warning! Observe the safety instructions in the manufacturer's documentation.

The measuring equipment has to be checked for proper condition and operational safety before each use. If troubles or damages have occurred during installation or operation of the measuring equipment, please inform Flexim.

It is not allowed to make unauthorized modifications or alterations to the measuring equipment.

If the measuring point is within an explosive atmosphere, the danger zone and present explosive atmosphere have to be determined. The transmitter, transducers and accessories have to be appropriate and approved for the conditions within the corresponding zone.

Personnel has to be suitably trained and experienced for the work.

Observe the "Safety instructions for the use in explosive atmospheres" (see document SIFLUXUS). Observe the instructions for hazardous substances and the respective safety data sheets. Observe the regulations for the disposal of electrical equipment.

2.2 Intended use

The measuring equipment is intended for the measurement of fluid properties in closed pipes. By means of connected transducers, the transit times of the ultrasonic signals in the fluid and the pipe are measured and evaluated.

The transmitter uses these values to calculate the sought quantities, e.g., volumetric flow rate and mass flow rate. Through comparison with the values stored in the transmitter further physical quantities can be determined. The physical quantities are provided via configurable outputs and the display.

- All instructions of this operating instruction have to be observed to ensure intended use.
- Any use beyond or other than the intended use is not covered by warranty and can present a danger. Any damage arising from not intended use shall be solely the liability of the operator or user.
- The measurement is carried out without direct contact to the fluid in the pipe. The flow profile is not influenced.
- The transducers are fixed to the pipe using the supplied transducer mounting fixture.

- If an extension cable is required to connect the transducers to the transmitter, a junction box can be used (optional). Observe the safety instructions in the operating instruction. For the technical data of the junction box, see technical specification.
- Observe the operating conditions, e.g., environment, voltage ranges. For the technical data of the transmitter, transducers and accessories, see technical specification.

2.3 Not intended use

Not intended use in terms of a misuse means:

- any work on the measuring equipment without observing all instructions in this operating instruction
- use of transmitter, transducer and accessory combinations not intended by Flexim
- installation of the transmitter, transducers and accessories in explosive atmospheres they are not approved for
- any work on the measuring equipment (e.g., installation, dismantling, connection, start-up, operation, service and maintenance) carried out by unauthorized and untrained personnel
- storage, installation and operation of the measuring equipment outside the specified ambient conditions (see technical specification)

2.4 Safety instructions for the user

Any work on the transmitter has to be carried out by authorized and qualified personnel only. Observe the safety instructions in the operating instruction. For the technical data of transmitter, transducers and accessories, see technical specification.

- Observe the safety and accident prevention regulations applicable on the site of operation.
- Only use the supplied mounting fixtures and transducers as well as the intended accessories.
- Always wear the required personal protective equipment.

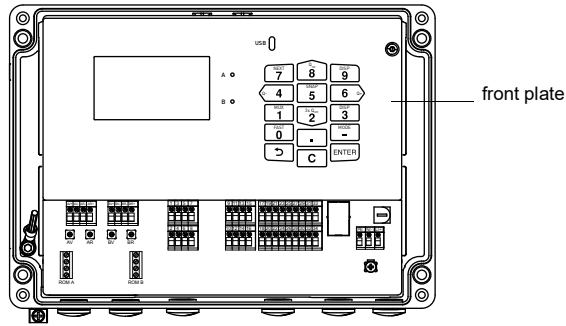
2.5 Safety instructions for the operator

- The operator shall qualify the personnel to perform their assigned tasks. The operator shall provide the required personal protective equipment and oblige the personnel to wear it. It is recommended to risk assess the workplace.
- Besides the safety instructions in this operating instruction, the health, safety and environment regulations applicable for the range of application of the transmitter, transducers and accessories have to be observed.
- With the exceptions stated in chapter 11, the measuring equipment is maintenance-free. Any components and spare parts may only be replaced by Flexim. The operator shall carry out periodic checks for changes or damages that can present a danger. For further information, contact Flexim.
- Observe the specifications for the installation and connection of the transmitter, transducers and accessories.

2.6 Safety instructions for electrical work

- Prior to any work on the transmitter (e.g., installation, dismantling, connection, service and maintenance), the transmitter has to be disconnected from the power supply. It is not sufficient to remove the internal fuse of the instrument.
- Electrical work may only be carried out if there is enough space.
- Open the transmitter in safe ambient conditions only (e.g., air humidity < 90 %, no conductive pollution, no explosive atmosphere). Otherwise, additional protective measures have to be taken.
- The degree of protection of the transmitter is only ensured if all cables are tightly fitted using cable glands and the housing is firmly screwed.
- The condition and tight fit of the electrical connections have to be checked at regular intervals.
- When connecting the transmitter to the power supply, an appropriate equipment switch according to IEC 60947-1 and IEC 60947-3 has to be installed as disconnecting device. The equipment switch has to disconnect all live wires. The ground conductor connection must not be interrupted. The equipment switch has to be easily accessible and clearly marked as a disconnecting device for the transmitter. It should be located near the transmitter. If the transmitter is used in an explosive atmosphere, the equipment switch has to be installed outside the explosive atmosphere. If this is not possible, it has to be installed in the least hazardous area.
- The connection may only be made to networks up to overvoltage category II. When connecting the inputs and outputs as well as the power supply, observe the installation instructions, in particular the terminal assignment.
- The front plate must not be removed. The transmitter does not contain any components to be maintained by the user. For repair and service work, please contact Flexim.
- Observe the safety and accident prevention regulations for electrical systems and equipment.

Fig. 2.1: Transmitter



2.7 Safety instructions for transport

Caution!



Warning of injuries due to falling objects

- Unsecured and falling objects can lead to severe injuries.
- Secure all components against falling during transport.
 - Wear the required personal protective equipment.
 - Observe the applicable rules.

- If you detect a transport damage when unpacking the delivery, please contact the supplier or Flexim immediately.
- The transmitter is a sensitive electronic measuring instrument. Avoid shocks or impacts.
- Handle the transducer cable with care. Avoid excessive bending or buckling. Observe the ambient conditions.
- Select a solid surface to put the transmitter, transducers and accessories on.
- The transmitter, transducers and accessories have to be properly packed for transport:
 - Use, if possible, the original packaging by Flexim or an equivalent cardboard box.
 - Position the transmitter, transducers and accessories in the middle of the cardboard box.
 - Fill any voids with appropriate packaging material (e.g., paper, foam, bubble wrap).
 - Protect the cardboard box against humidity.

2.8 Recommended procedure in hazardous situations

Fire fighting measures

- If possible, disconnect the transmitter from the power supply.
- Prior to extinguishing, protect any electrical parts that are not affected by the fire (e.g., using a cover).
- Select a suitable extinguishing agent. Avoid, if possible, conductive extinguishing agents.
- Observe the applicable minimum distances. The minimum distances differ depending on the used extinguishing agent.

3 General principles

In the ultrasonic flow measurement, the flow velocity of the fluid in a pipe is determined. Further physical quantities are derived from the flow velocity and from additional physical quantities, if necessary.

3.1 Measurement principle

The flow velocity of the fluid is measured using the transit time difference correlation principle.

3.1.1 Terms

Flow profile

Distribution of flow velocities over the cross-sectional pipe area. For an optimal measurement, the flow profile has to be fully developed and axisymmetrical. The shape of the flow profile depends on whether the flow is laminar or turbulent and is influenced by the conditions at the inlet of the measuring point.

Reynolds number Re

Coefficient describing the turbulence behavior of a fluid in the pipe. The Reynolds number Re is calculated from the flow velocity, the kinematic viscosity of the fluid and the inner pipe diameter.

If the Reynolds number exceeds a critical value (usually approx. 2300, if the fluid flows in a pipe), a transition from a laminar flow to a turbulent flow takes place.

Laminar flow

A flow without any turbulence. There is no mixing between the parallel flowing layers of the fluid.

Turbulent flow

A flow with turbulences (swirling of the fluid). In technical applications, the flow in the pipe is mostly turbulent.

Transition range

The flow is partly laminar and partly turbulent.

Sound speed c

Speed of the propagating sound. The sound speed depends on the mechanical properties of the fluid or the pipe material. In pipe materials and other solid materials, a distinction is made between the longitudinal and transversal sound speed.

Flow velocity v

Average value of all flow velocities of the fluid over the cross-sectional pipe area.

Acoustic calibration factor k_a

$$k_a = \frac{c_\alpha}{\sin \alpha}$$

The acoustic calibration factor k_a is a transducer parameter which results from the sound speed c within the transducer and the angle of incidence. According to Snell's law of refraction, the angle of propagation in the adjoining fluid or pipe material is:

$$k_a = \frac{c_\alpha}{\sin \alpha} = \frac{c_\beta}{\sin \beta} = \frac{c_\gamma}{\sin \gamma}$$

Fluid mechanics calibration factor k_{Re}

With the fluid mechanics calibration factor k_{Re} , the measured value of the flow velocity in the area of the sound beam is converted into the value of the flow velocity across the whole cross-sectional pipe area. In case of a fully developed flow profile, the fluid mechanics calibration factor only depends on the Reynolds number and the roughness of the inner pipe wall. The fluid mechanics calibration factor is recalculated by the transmitter for each new measurement.

Operating volumetric flow rate \dot{V}

$$\dot{V} = v \cdot A$$

The volume of the fluid that passes through the pipe per unit time. The operating volumetric flow rate is calculated from the product of the flow velocity v and the cross-sectional pipe area A .

Standard volumetric flow rate \dot{V}_N

Volumetric flow rate of a gas under specified standards conditions. During the measurement of a gas, the temperature and the pressure have a strong influence on the measured operating volumetric flow rate. The measured operating volumetric flow rate can be converted into the standard volumetric flow rate \dot{V}_N by the transmitter:

$$\dot{V}_N = \dot{V} \cdot \frac{p}{p_N} \cdot \frac{T_N}{T} \cdot \frac{1}{K}$$

where

- \dot{V}_N – standard volumetric flow rate
- \dot{V} – operating volumetric flow rate
- p_N – standard pressure (absolute value)
- p – operating pressure (absolute value)
- T_N – standard temperature in K
- T – operating temperature in K
- K – compressibility coefficient of the gas: ratio of the compressibility factors of the gas at operating conditions and at standard conditions (Z/Z_N)

The values for standard pressure p_N (default: 1.013 bar(a)) and standard temperature T_N (default: 0 °C) can be entered. The compressibility coefficient of the gas K is stored in the data set of the fluid or can be entered by the user. The operating temperature T and the operating pressure p can be fed into the transmitter via the inputs or entered as constant values.

Dynamic Gas Master (DGM)

There exists a fluid data set for a standard natural gas with a non-changing composition whose characteristics are calculated in dependence on pressure and temperature. In addition, there are DGM fluid data sets for natural gas with a changing composition whose characteristics are calculated in dependence on pressure, temperature and sound speed. For those fluids a field calibration of the sound speed is recommended (see section 9.4).

- DGM gas, type H: natural gas with high HHV
- DGM gas, type L: natural gas with low HHV
- DGM gas, type F: flare gases and heterogeneous gas mixtures with low HHV
- xxx customized DGM fluid data set

The higher heating value (HHV) type H is higher, type L is lower than the following value (data converted into different units):

Tab. 3.1: Max. HHV for type L natural gas at standard conditions

10 000 kcal/kg	42 MJ/kg	18 000 BTU/lb	12 kWh/kg
8000 kcal/m ³	34 MJ/m ³	900 BTU/ft ³	9 kWh/m ³

When selecting a DGM fluid data set the average molar mass is available as further physical quantity. During the measurement, it is marked by the letter K. The operating temperature and the operating pressure can be fed into the transmitter via the inputs or entered as constant values when starting the measurement (type H, L, F; range: 1...100 bar (a), -20...+100 °C). For further information, see document TI_DGM.

Gas energy flow rate (DGM)

The gas energy flow rate is the energy of a natural gas that is transported per unit time. For natural gas with changing composition (DGM data sets), the Dynamic Gas Master (DGM) can be used to calculate the gas energy flow rate:

$$\Phi = \text{HHV}_V \cdot \dot{V}_N = \text{HHV}_m \cdot \dot{m}$$

$$\text{HHV}_m = \rho_N \cdot \text{HHV}_V$$

where

- Φ – gas energy flow rate
- \dot{V}_N – standard volumetric flow rate
- \dot{m} – mass flow rate
- HHV_V – higher heating value (volume-related)
- HHV_m – higher heating value (mass-related)
- ρ_N – standardized density

Mass flow rate \dot{m}

$$\dot{m} = \dot{V} \cdot \rho$$

The mass of the fluid that passes through the pipe per unit time. The mass flow rate is calculated from the product of the volumetric flow rate \dot{V} and the density ρ .

3.1.2 Measurement of the flow velocity

The signals are emitted and received by two transducers alternatively in and against the flow direction. If the fluid is flowing, the signals propagating in the fluid are displaced with the flow.

Caused by this displacement, the sound path of the signal is reduced in flow direction and increased in the opposite direction.

This causes a change in the transit times. The transit time of the signal in flow direction is shorter than the transit time against the flow direction. The transit time difference is proportional to the average flow velocity.

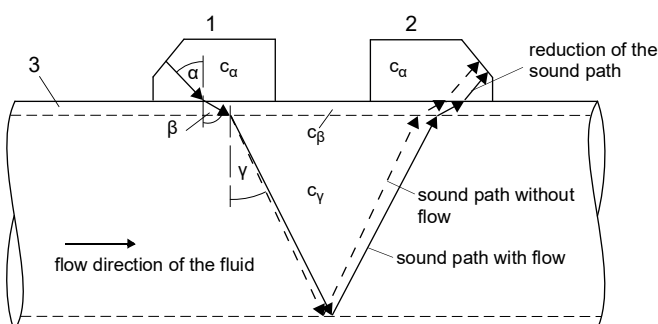
The average flow velocity of the fluid is calculated as follows:

$$v = k_{Re} \cdot k_a \cdot \frac{\Delta t}{2 \cdot t_f}$$

where

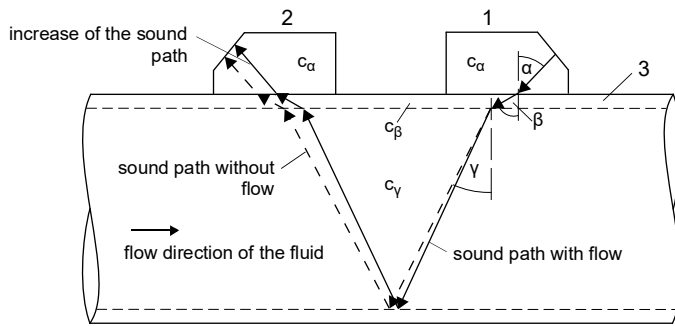
- v – average flow velocity of the fluid
- k_{Re} – fluid mechanic calibration factor
- k_a – acoustic calibration factor
- Δt – transit time difference
- t_f – transit time in the fluid

Fig. 3.1: Sound path of the signal in the flow direction



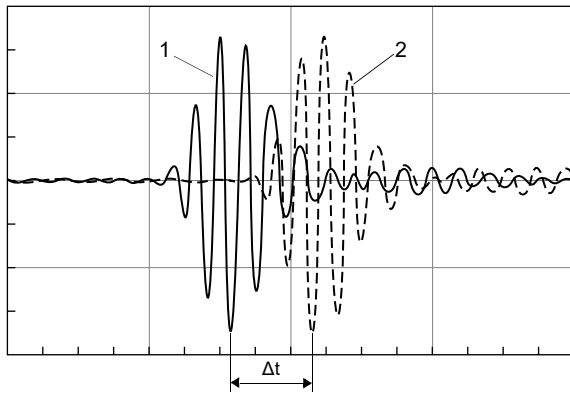
- c – sound speed
- 1 – transducer (emitter)
- 2 – transducer (receiver)
- 3 – pipe wall

Fig. 3.2: Sound path of the signal against the flow direction



- c – sound speed
- 1 – transducer (emitter)
- 2 – transducer (receiver)
- 3 – pipe wall

Fig. 3.3: Transit time difference Δt



- 1 – signal in the flow direction
- 2 – signal against the flow direction

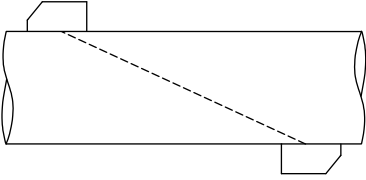
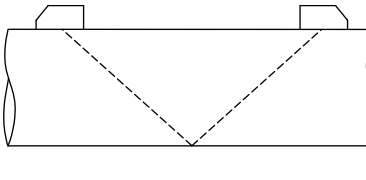
3.1.3 Synchronized channel averaging

Synchronized channel averaging reduces turbulence-related fluctuations of the measured value without the need of long-term averaging. When measuring in reflection arrangement, X arrangement or displaced X arrangement with synchronized channel averaging, the almost simultaneous measurement of all measuring beams results in optimized compensation of turbulent flow fluctuations.

For the synchronized channel averaging, all transducer pairs must be of the same type and installed at the same measuring point. The measurement arrangement has to be the same for all transducer pairs.

3.2 Measurement arrangements

3.2.1 Terms

diagonal arrangement	reflection arrangement
The transducers are mounted on opposite sides of the pipe.	The transducers are mounted on the same side of the pipe.
	

Sound path

The distance covered by the ultrasonic signal after crossing the pipe once. The number of the sound paths is:

- odd if the measurement is carried out in diagonal arrangement
- even if the measurement is carried out in reflection arrangement

Beam

The path covered by the ultrasonic signal between the transducers, i.e., the transducer emitting the ultrasonic signal and the transducer receiving it. One beam consists of 1 or several sound paths.

Fig. 3.4: Diagonal arrangement with 2 beams and 3 sound paths

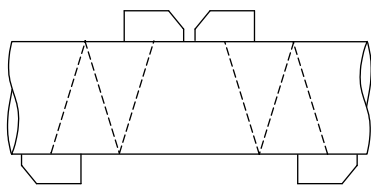
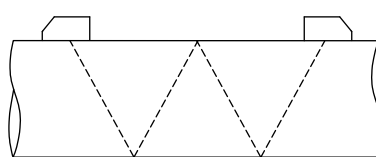
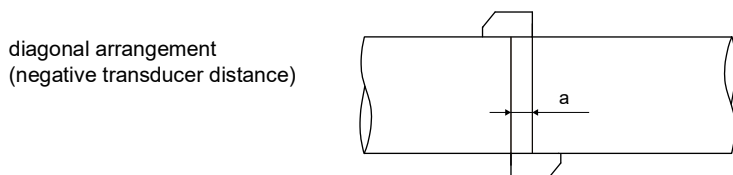
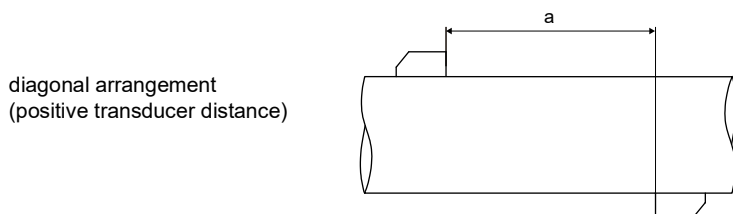
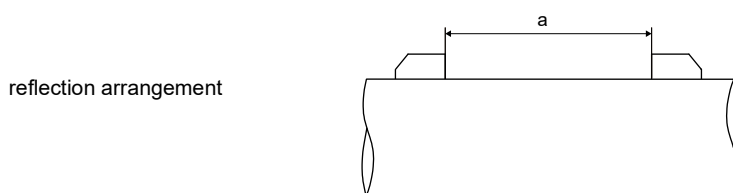


Fig. 3.5: Reflection arrangement with 1 beam and 4 sound paths



Transducer distance

The transducer distance is measured between the inner edges of the transducers.



a – transducer distance

Sound beam plane

Plane containing 1 or several sound paths or beams

Fig. 3.6: 2 beams in 1 plane

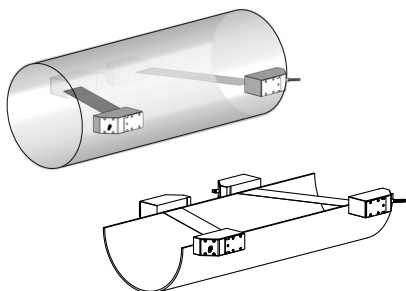
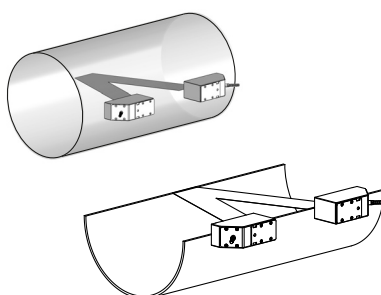
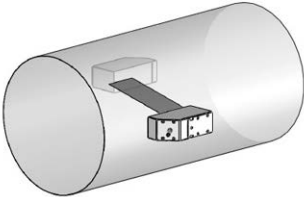
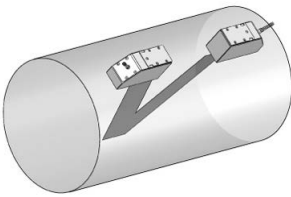
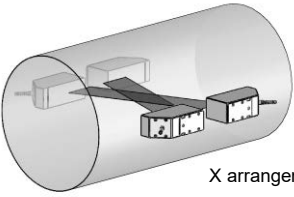
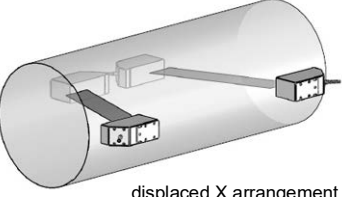
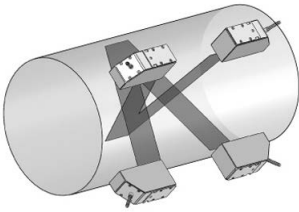


Fig. 3.7: 2 sound paths in 1 plane



3.2.2 Examples

diagonal arrangement with 1 beam	reflection arrangement with 1 beam
<p>1 transducer pair 1 sound path 1 beam 1 plane</p> 	<p>1 transducer pair 2 sound paths 1 beam 1 plane</p> 
diagonal arrangement with 2 beams	reflection arrangement with 2 beams and 2 planes
<p>2 transducer pairs 2 sound paths 2 beams 1 plane</p>  <p style="text-align: right;">X arrangement</p>  <p style="text-align: center;">displaced X arrangement</p>	<p>2 transducer pairs 4 sound paths 2 beams 2 planes</p> 

3.3 Acoustic penetration

The pipe has to be acoustically penetrable at the measuring point. The acoustic penetration is given when pipe and fluid do not attenuate the sound signal so strongly that it is completely absorbed before reaching the second transducer.

The attenuation caused by the pipe and the fluid depends on:

- kinematic viscosity of the fluid
- proportion of liquids and solids in the fluid
- deposits on the inner pipe wall
- pipe material

The following requirements have to be met at the measuring point:

- no solid deposits in the pipe
- no accumulation of liquid (condensate), e.g., before orifice plates or at pipe sections located lower

Observe the following notes on the selection of the measuring point:

Horizontal pipe

Select a measuring point where the transducers can be mounted laterally on the pipe, allowing the sound waves to propagate horizontally in the pipe. Thus, solids or liquid on the bottom of the pipe are prevented from influencing the propagation of the signal.

Fig. 3.8: Recommended transducer mounting position (laterally)

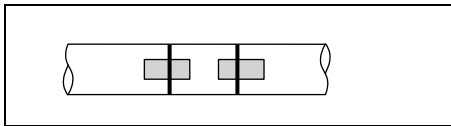
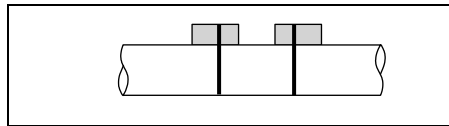


Fig. 3.9: Disadvantageous transducer mounting position (on top)



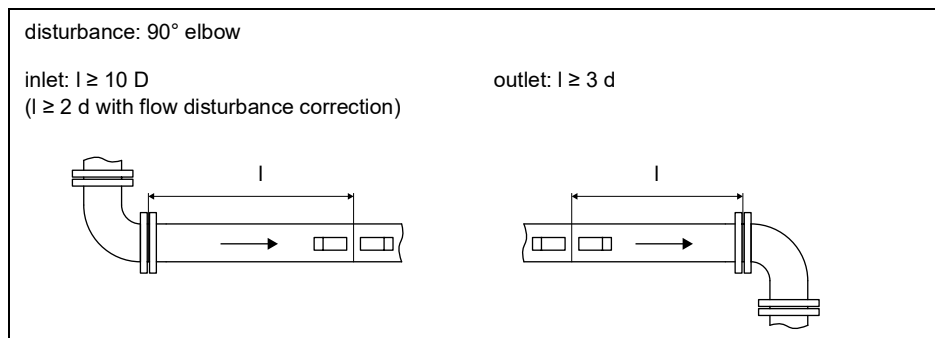
3.4 Undisturbed flow profile

Some flow elements (e.g., elbows, valves, pumps, reducers) distort the flow profile in their vicinity. The axisymmetrical flow profile in the pipe needed for correct measurement is no longer given. A careful selection of the measuring point helps to reduce the impact of disturbances.

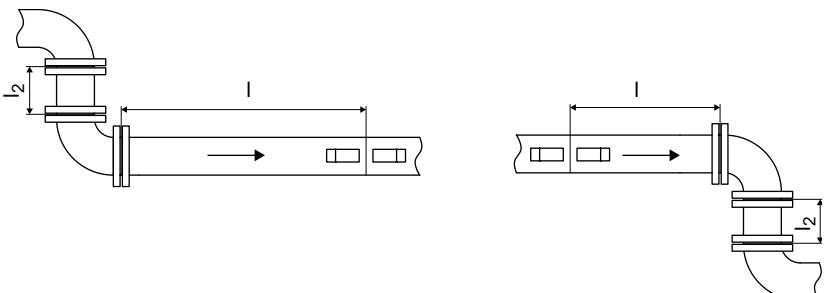
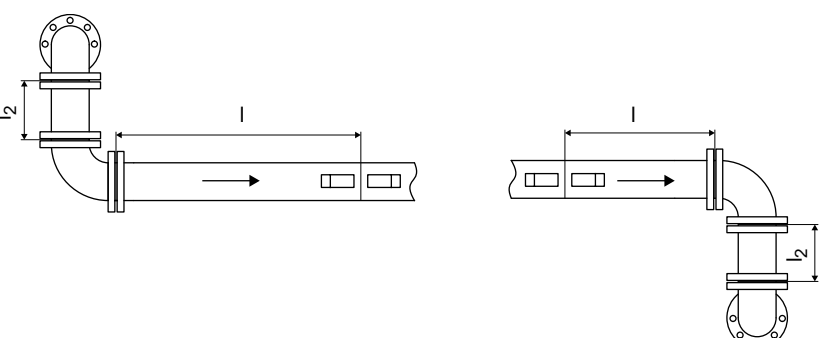
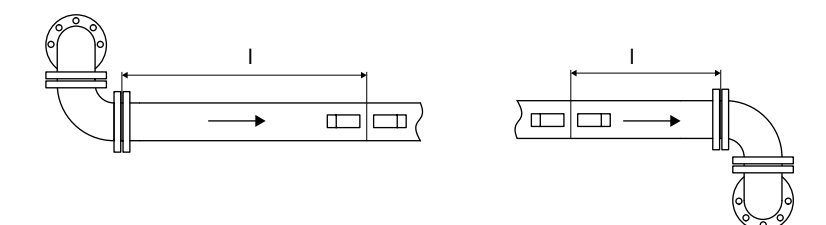
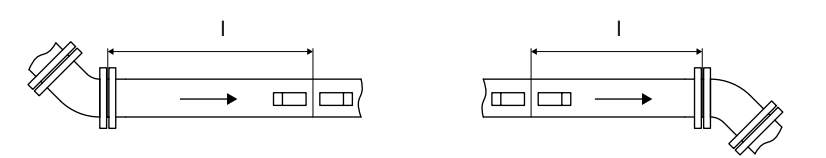
It is most important that the measuring point is chosen at a sufficient distance from any disturbances. Only then it can be assumed that the flow profile in the pipe is fully developed. The disturbance correction (see section 13.2.1) allows a measurement even at smaller distances of min. 2 d.

The recommended straight inlet and outlet pipe lengths for different types of flow disturbances are shown in the following table. These are to be measured from the end of the disturbances, which is not always at the position of the nearest flange (see Tab. 13.2).

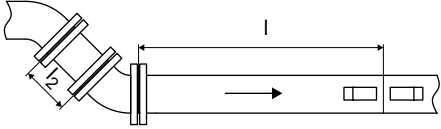
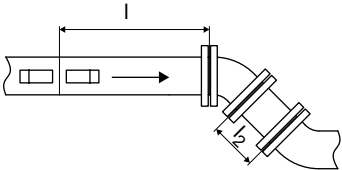
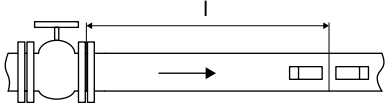
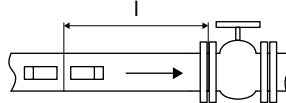
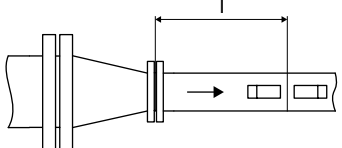
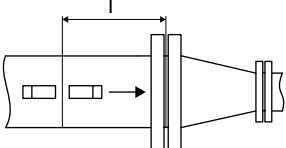
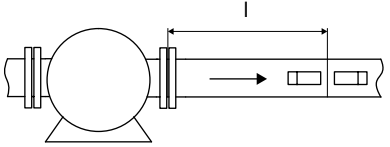
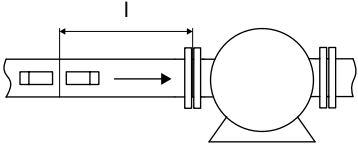
Tab. 3.2: Recommended distance from disturbances
d – inner pipe diameter at the measuring point
l – recommended distance between disturbance and transducer position



Tab. 3.2: Recommended distance from disturbances
 d – inner pipe diameter at the measuring point
 l – recommended distance between disturbance and transducer position

<p>disturbance: 90° double elbow (with elbow distance $l_2 \geq 3 d$)</p> <p>inlet: $l \geq 10 D$ ($l \geq 2 d$ with flow disturbance correction)</p> <p>outlet: $l \geq 3 d$</p> 
<p>disturbance: double elbow out of plane (with elbow distance $l_2 \geq 3 d$)</p> <p>inlet: $l \geq 10 D$ ($l \geq 2 d$ with flow disturbance correction)</p> <p>outlet: $l \geq 3 d$</p> 
<p>disturbance: double elbow out of plane (directly coupled)</p> <p>inlet: $l \geq 40 D$ ($l \geq 2 d$ with flow disturbance correction)</p> <p>outlet: $l \geq 3 d$</p> 
<p>disturbance: 45° elbow</p> <p>inlet: $l \geq 15 D$ ($l \geq 2 d$ with flow disturbance correction)</p> <p>outlet: $l \geq 3 d$</p> 

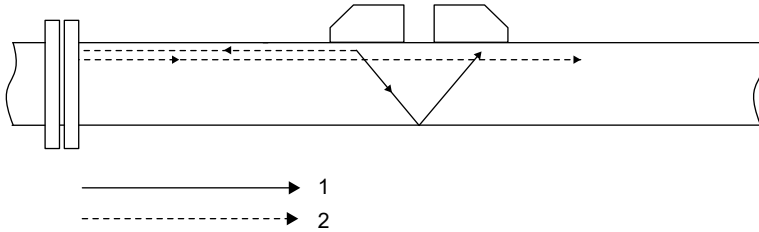
Tab. 3.2: Recommended distance from disturbances
 d – inner pipe diameter at the measuring point
 l – recommended distance between disturbance and transducer position

disturbance: 45° double elbow (with elbow distance $l_2 \geq 3 d$) inlet: $l \geq 15 D$ ($l \geq 2 d$ with flow disturbance correction)		outlet: $l \geq 3 d$	
			
disturbance: valve		outlet: $l \geq 3 d$	
inlet: $l \geq 40 d$			
			
disturbance: reducer		outlet: $l \geq 3 d$	
inlet: $l \geq 10 D$ ($l \geq 2 d$ with flow disturbance correction)			
			
disturbance: compressor		outlet: $l \geq 3 d$	
inlet: $l \geq 20 d$			
			

3.5 Influence of noise

Ultrasonic waves do not only propagate in the fluid but also in the pipe wall. They are reflected at flanges.

Fig. 3.10: Propagation of ultrasonic waves



- 1 – ultrasonic waves in the fluid (measuring signal)
- 2 – ultrasonic waves in the pipe wall (pipe wall signal)

The reflected pipe wall signals can disturb the measurement, especially if:

- the measuring point is close to the reflection point
- the pipe wall signals and measuring signals are received by the transducer at the same time

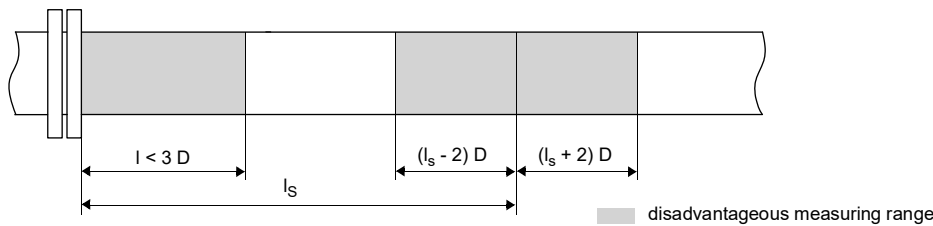
Measuring points to be avoided

- measuring point directly at the reflection point ($l < 3 D$)
- measuring point at a distance of $(l_s \pm 2) D$ from the reflection point
 - pipe wall signal and measuring signal are received by the transducer at the same time

$$l_s = \frac{n}{2} \cdot \frac{c_\beta}{c_\gamma} \cdot D$$

- l, l_s – distance to reflection point
- D – outer pipe diameter
- c_γ – sound speed of the fluid
- c_β – sound speed of the pipe
- n – number of sound paths

Fig. 3.11: Measuring points to be avoided



3.6 Selection of the measuring point taking into account the flow profile and the influence of noise

- Select an area on the pipe where the flow profile is fully developed.
- Select the measuring point within this area so that the influence of noise can be neglected.

Example

fluid: natural gas, $c_v = 400$ m/s
 pipe material: stainless steel, $c_\beta = 3000$ m/s
 length of pipe segment 1: $20 D$
 length of pipe segment 2: $20 D$
 number of sound paths: 2

$$l_s = 7.5 D$$

- area with developed flow profile:

disturbance: 90° elbow

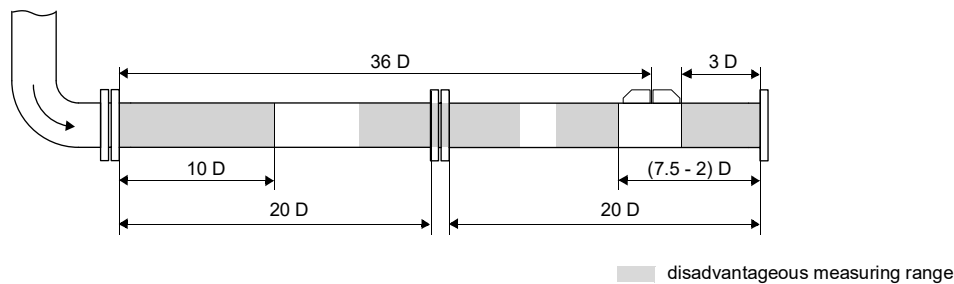
recommended area for the measuring point: $l \geq 10 D$ (complete pipe segment 2)

- area with low influence of noise:

reflection point: flange

recommended area for the measuring point: $l \geq 3 D$ and outside of $l_s = (7.5 \pm 2) D$ on pipe segment 2

Fig. 3.12: Area for the measuring point with a favorable flow profile and low influence of noise



Considering flow profile and influence of noise, the measuring point can be selected in the area $3 \dots (7.5 - 2) D$ on the right side of pipe segment 2 (with max. distance from the elbow).

In the example, a distance of $36 D$ from the elbow was selected.

Sometimes, both demands cannot be reconciled at the same time. In these cases, the measuring point has to be selected in such a way that the influence of noise is min. and the measuring point is as far from the disturbances of the flow profile as possible.

Example

fluid: natural gas, $c_y = 400$ m/s
 pipe material: stainless steel, $c_\beta = 3000$ m/s
 length of pipe segment 1: $20 D$
 length of pipe segment 2: $5 D$
 number of sound paths: 2

$$l_s = 7.5 D$$

- area with developed flow profile:

disturbance: 90° elbow

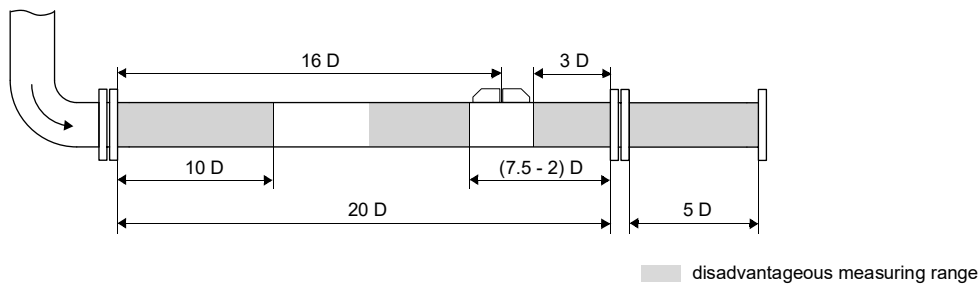
recommended area for the measuring point: $l \geq 10 D$ (complete pipe segment 2)

- area with low influence of noise:

reflection point: flange

recommended area for the measuring point: $l \geq 3 D$ and outside of $l_s = (7.5 \pm 2) D$ on pipe segment 1

Fig. 3.13: Area for the measuring point with low influence of noise and not fully developed flow profile



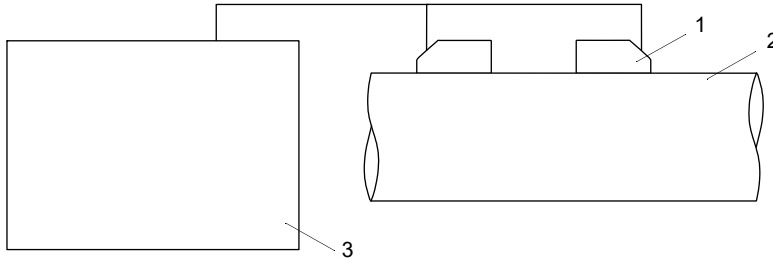
In the example, there is no area where both demands are met at the same time. The measuring point has to be selected as far as possible from the elbow, at a point where the influence of noise can be neglected: $3 \dots (7.5 - 2) D$ on the right side of pipe segment 1. In the example, a distance of $16 D$ from the elbow was selected.

4 Product description

4.1 Measuring system

The measurement system consists of the transmitter, the ultrasonic transducers and the pipe on which the measurement is carried out.

Fig. 4.1: Example of a measurement arrangement



- 1 – transducer
- 2 – pipe
- 3 – transmitter

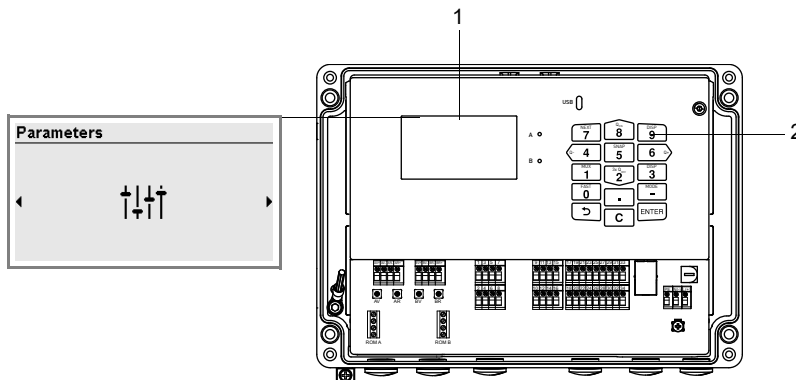
The transducers are mounted on the outside of the pipe. They send and receive ultrasonic signals through the fluid.

The transmitter controls the measuring cycle, eliminates noise signals and analyzes useful signals. The measured values can be displayed, used for calculations and transmitted.

4.2 Handling concept

The transmitter is operated via the keyboard. By pressing **4** or **6** the menus are displayed consecutively:

Fig. 4.2: Command panel of the transmitter



- 1 – LCD display (backlit)
- 2 – keyboard

Tab. 4.1: Description of the menus

menu	description
Parameters	input of sensor, pipe and fluid parameters
Installation	input of measuring point specific parameters
Start measurement	measurement start ⁽¹⁾
Show measurement	measured value display ⁽²⁾
Stop measurement	measurement stop ⁽²⁾
Inputs	configuration and assignment of inputs
Outputs	output configuration
Functions	configuration of event triggers and remote functions
Storage	configuration of the data logger and snaps
Calibration	definition of correction values to compensate unfavorable measuring conditions
Communication	configuration of communication interfaces (e.g. fieldbuses (option))
Miscellaneous	settings of system and measurement and changes in dialogs and menus

⁽¹⁾ will only be displayed if no measurement is running

⁽²⁾ will only be displayed if a measurement is running

When starting up the transmitter for the first time, settings relating to the language, time, date and system of units have to be made. Afterwards the menu `Parameters` will be displayed.

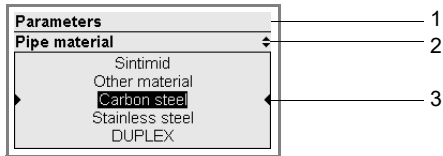
At later start-ups the measured values will be displayed in case the measurement had not been stopped before the transmitter was disconnected from the power supply. If the measurement is stopped, the menu `Parameters` will be displayed.

After starting the measurement, the parameter settings or the configuration of the transmitter outputs can be displayed at any time without interrupting the measurement. A change of the parameter settings is not possible during the measurement. The measurement has to be stopped in order to change the parameter settings or configuration of the transmitter outputs.

4.3 Display

Structure

Fig. 4.3: Menu Parameters (example)



- 1 – menu
- 2 – menu item currently edited
- 3 – area for scroll lists, selection fields or input fields

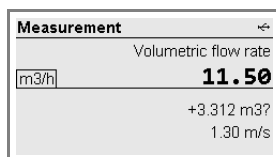
Tab. 4.2: Navigation

horizontal scroll list	vertical scroll list	selection fields	input fields
<ul style="list-style-type: none"> • scroll horizontally with 4 or 6 	<ul style="list-style-type: none"> • scroll vertically with 8 or 2 	<ul style="list-style-type: none"> • scroll horizontally with 4 or 6 • activate/deactivate with 2 or 8 	<ul style="list-style-type: none"> • input via the 10 numerical keys of the keyboard • delete with C

Status indicators


Several symbols are used as status indicators.

Fig. 4.4: Status indicators (line 1)



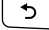
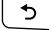
- running measurement
- error message
- activated FastFood mode
- data logger full
- connection via USB cable
- key lock activated

4.4 Keyboard

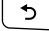
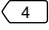
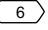
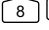
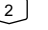
The keyboard has 15 keys, including 3 function keys: ENTER,  and C.

Some keys have multiple functions. They can be used to enter data, to navigate through scroll lists as well as to execute special functions (e.g., reset of totalizers).

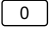
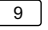


Tab. 4.3: General functions

ENTER	confirmation of selection or input
 + C + ENTER	Reset: press these 3 keys simultaneously to correct a malfunction. The reset has the same effect as a restart of the transmitter. Stored data are not affected.
 + C	INIT: when initializing the transmitter, all settings are reset to the factory settings.

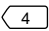
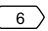
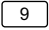
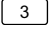
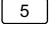
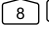

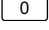
Tab. 4.4: Navigation

	during the parameter input: short press: return to the previous menu item long press (several seconds): return to the beginning of the menu during the measurement: return to the main menu
 	scroll to the left/right through a scroll list
 	scroll upwards/downwards through a scroll list
ENTER	confirmation of a menu item

Tab. 4.5: Input of numbers

 ... 	input of the number pictured on the key
	sign for the input of negative values
	decimal marker
C	deletion of values After the value has been deleted, the previous value will be displayed.
ENTER	confirmation of the input

Tab. 4.6: Input of text

 	positioning of the cursor
	"A" is displayed and capitalization is activated
	"Z" is displayed and capitalization is activated
	toggle between upper and lower case
 	selection of the previous/next character
	deletion of a character and insertion of a blank
ENTER	confirmation of the input

5 Transport and storage

Caution!

**When packaging, the transmitter can fall down.**

There is a danger of crushing body parts or damaging the measuring equipment.

- Secure the transmitter against falling during packaging.
- Wear the required personal protective equipment.
- Observe the applicable rules.

Caution!

**When lifting, the center of gravity of the transmitter can be displaced within the cardboard box. The transmitter can fall down.**

There is a danger of crushing body parts or damaging the measuring equipment.

- Secure the transmitter against falling during transport.
- Wear the required personal protective equipment.
- Observe the applicable rules.

5.1 Transport

The measuring equipment must be packaged properly for transport. For weight indications, see technical specification.

- Use, if possible, the original packaging by Flexim or an equivalent cardboard box.
- Position the transmitter, transducers and accessories in the middle of the cardboard box.
- Fill any voids with appropriate packaging material (e.g., paper, foam, bubble wrap).
- Protect the cardboard box against humidity.

5.2 Storage

- Store the measuring equipment within the original package.
- Do not store the measuring equipment outdoors.
- Seal all openings with blind plugs.
- Protect the measuring equipment against sunlight.
- Storage the measuring equipment in a dry place without dust and within the valid temperature range (see technical specification).

6 Mounting

Danger!



Risk of explosion when using the measuring equipment in explosive atmospheres

This may result in personal or material damage or dangerous situations.

→ Observe the "Safety instructions for the use in explosive atmospheres".

Warning!



Installation, connection and start-up by unauthorized and unqualified personnel

This may result in personal or material damage or dangerous situations.

→ Any work on the transmitter has to be carried out by authorized and qualified personnel.

Warning!



Touching live parts

Electric shock or arc faults can lead to severe injuries. The measuring equipment can be damaged.

→ Prior to any work on the transmitter (e.g., installation, dismantling, connection, start-up), the transmitter has to be disconnected from the power supply. It is not sufficient to remove the internal fuse of the instrument.

Caution!



Safety and accident prevention regulations for electrical systems and equipment

Failure to observe these regulations may lead to severe injuries.

→ Observe the safety and accident prevention regulations for electrical systems and equipment.

Caution!



Touching hot or cold surfaces

This may result in injuries (e.g., thermal damages).

→ Observe the ambient conditions at the measuring point during installation.

→ Wear the required personal protective equipment.

→ Observe the applicable rules.


Important!

Remove all protective foils before using the measuring equipment in explosive atmospheres (see document SIFLUXUS).

6.1 Transmitter

6.1.1 Opening and closing the housing

6.1.1.1 Opening

Caution!	
	<p>Possible danger by opening the equipment at improper ambient conditions</p> <p>Open the transmitter in safe ambient conditions only (e.g., air humidity < 90 %, no conductive pollution, no explosive atmosphere). Otherwise, additional protective measures have to be taken.</p>

Important!	
Do not open the housing using objects which may damage the housing gasket.	

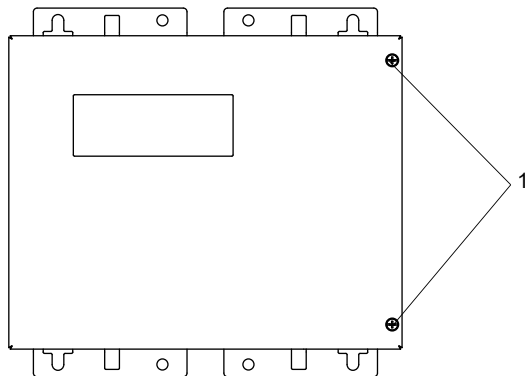
- Loosen the screws of the transmitter housing.
- Open the housing cover of the transmitter.

6.1.1.2 Closing

Transmitter with stainless steel housing

- Close the housing cover.
- Tighten the screws of the transmitter housing with a max. torque of 1 Nm.

Fig. 6.1: Transmitter

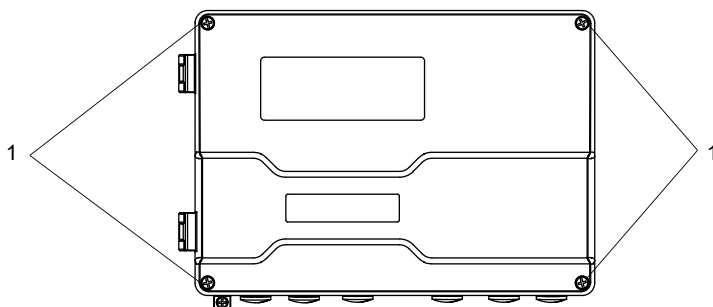


1 – screw

Transmitter with aluminum housing

- Close the housing cover.
- Hand-tight all screws of the transmitter housing.

Fig. 6.2: Transmitter



1 – screw

6.1.2 Transmitter mounting

Notice!

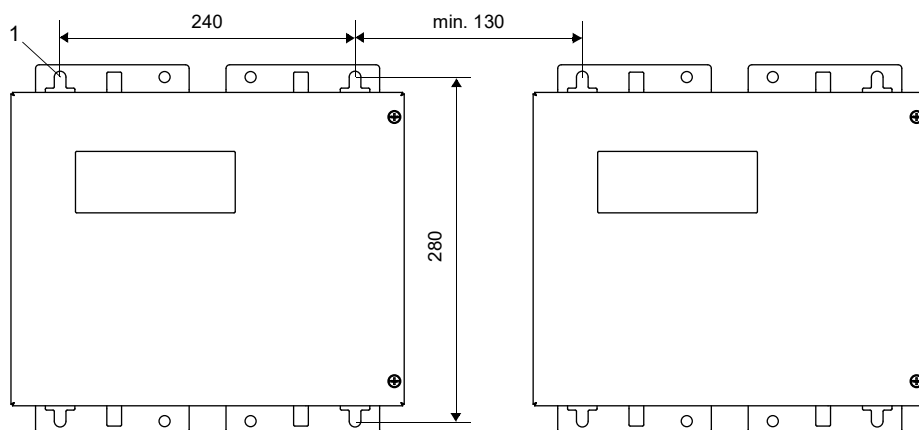
Install the equipment in a shady place, the cable glands facing downward. Observe the temperature and weight indications according to the technical specification when choosing the fixation elements and the place of installation.

6.1.2.1 Wall mounting

Transmitter with stainless steel housing

- Fix the transmitter to the wall using 4 screws.

Fig. 6.3: Transmitter (dimensions in mm)

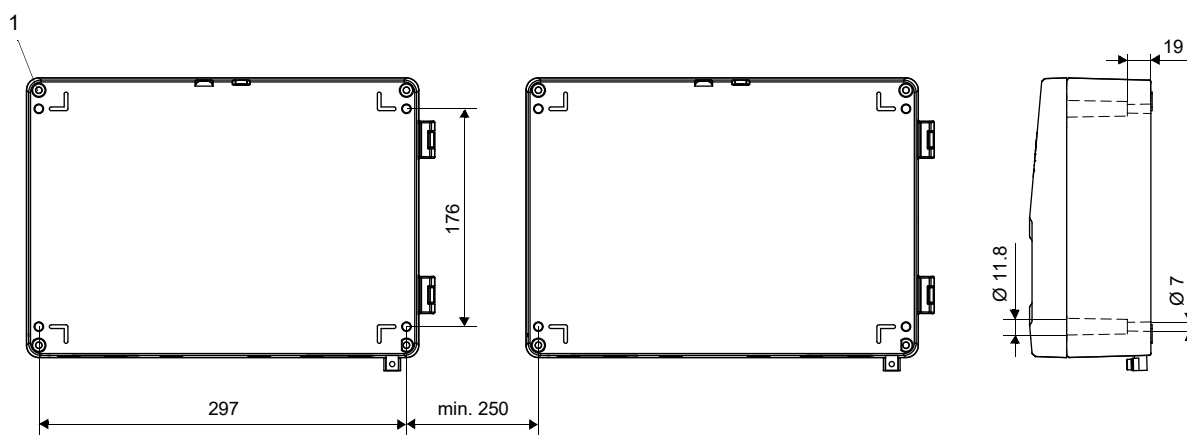


- 1 – fixing hole for wall mounting \varnothing 9.5

Transmitter with aluminum housing

- Loosen the screws of the transmitter housing.
- Open the housing cover of the transmitter.
- Fix the transmitter to the wall using 4 screws.

Fig. 6.4: Transmitter (dimensions in mm)



- 1 – fixing holes for wall mounting

6.1.2.2 Pipe mounting

Notice!

The pipe has to be sufficiently stable to withstand the pressure exerted by the transmitter and the shackles.

Transmitter with stainless steel housing

Mounting on a 2" pipe

- Position the transmitter and the shackle (1) on the pipe.
- Fix the transmitter to the pipe by tightening the nuts (2) of the shackles.

Mounting on a pipe > 2"

The pipe mounting kit is fixed to the pipe by using tension straps.

Caution!



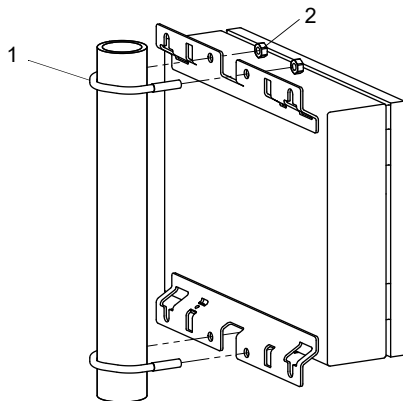
The edge of the tension strap is very sharp.

Risk of injury!

- Debur sharp edges.
- Wear the required personal protective equipment.
- Observe the applicable rules.

- Fix the transmitter to the pipe by using tension straps instead of shackles.

Fig. 6.5: Mounting view



- 1 – shackle
- 2 – nut

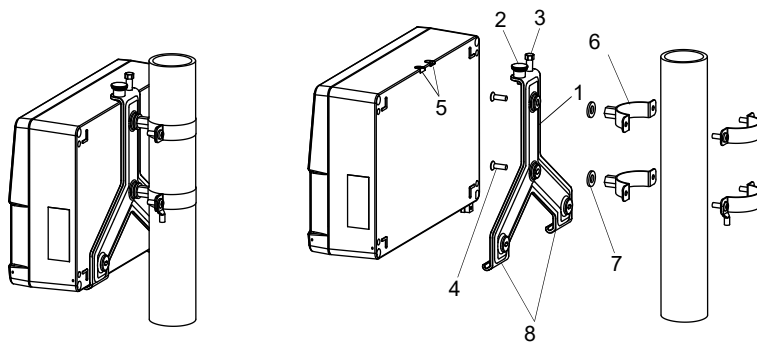
Transmitter with aluminum housing

Notice!

For the mounting on pipes the pipe mounting kit, consisting of 2 band clamps, 2 countersunk head screws and 2 washers, is needed. The distance of the band clamps has to be identical to the distance of the holes on the mounting support.

- Fix the band clamps (6) with 2 countersunk head screws (4) firmly to the mounting support (1). Take care to place the washers (7) between the mounting support and the band clamp.
- Fix the mounting support with the band clamps to the pipe.
- Attach the transmitter to the lower hooks (8) of the mounting support.
- Fix the transmitter to the mounting support by locking the stop bolt (2) into the destined hole and by firmly tightening the screw (3).

Fig. 6.6: Mounting view



- 1 – mounting support
- 2 – detent pin
- 3 – screw
- 4 – countersunk head screw
- 5 – holes
- 6 – band clamp
- 7 – washer
- 8 – hook

6.2 Transducers

Caution!



Warning of severe injuries from hot or cold components

Touching hot or cold components can lead to severe injuries (e.g., thermal damage).

- Any mounting, installation or connection work has to be concluded.
- Any work on the measuring point during the measurement is prohibited.
- Observe the ambient conditions at the measuring point during installation.
- Wear the required personal protective equipment.
- Observe the applicable rules.

6.2.1 Preparation

6.2.1.1 Measuring point selection

The correct selection of the measuring point is crucial for achieving reliable measurement results and a high measurement accuracy.

A measurement on a pipe is possible if:

- the ultrasound propagates with a sufficiently high amplitude
- the flow profile is fully developed
- the influence of noise is sufficiently low

The correct selection of the measuring point and the correct transducer positioning guarantee that the sound signal will be received under optimum conditions and evaluated correctly.

Because of the variety of applications and the different factors that influence the measurement, there is no standard solution for the transducer positioning.

The measurement is influenced by the following factors:

- diameter, material, lining, wall thickness and shape of the pipe
- fluid
- Avoid measuring points in the vicinity of distorted or defective areas of the pipe or in the vicinity of welds.
- Avoid measuring points with deposit formation in the pipe.
- Make sure the pipe surface at the selected measuring point is even.
- Select the location of the transmitter within the transducer cable range.
- The temperature at the measuring point has to be within the specific ambient temperature range of the transmitter and the transducers (see technical specification).

If the measuring point is within an explosive atmosphere, possibly present danger zones and gases have to be determined. The transducers and the transmitter have to be appropriate for these conditions.

6.2.1.2 Pipe preparation

Caution!



Contact with grinding dust

This may result in injuries (e.g., breathing difficulties, skin reactions, eye irritations).

- Wear the required personal protective equipment.
- Observe the applicable rules.

Important!

The pipe has to be sufficiently stable to withstand the pressure exerted by the transducers and the fasteners.

Notice!

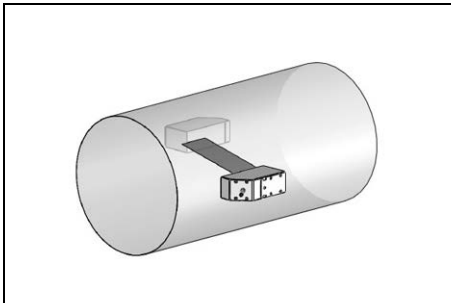
Observe the selection criteria of pipe and measuring point.

Rust, paint or deposits on the pipe absorb the sound signal. A good acoustic contact between the pipe and the transducers is obtained as follows:

- Clean the pipe at the selected measuring point.
 - If present, the paint layer has to be smoothed by grinding. The paint does not need to be removed completely.
 - Remove any rust or loose paint.
- Install the damping mats.

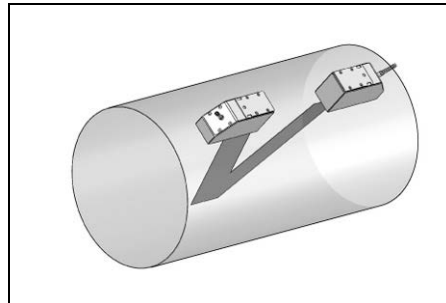
6.2.1.3 Selection of the measurement arrangement

Diagonal arrangement with 1 beam



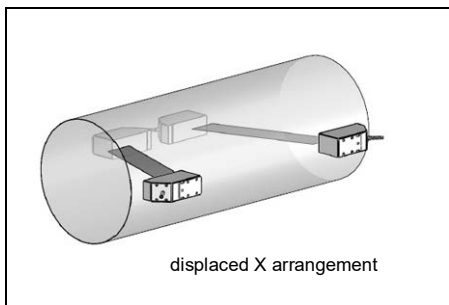
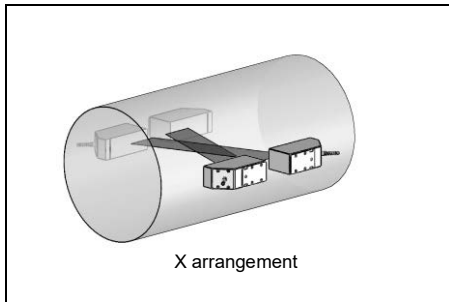
- wider flow velocity and sound speed range compared to the reflection arrangement
- use in the presence of deposits on the inner pipe wall or with strongly attenuating gases or liquids (only 1 sound path)

Reflection arrangement with 1 beam

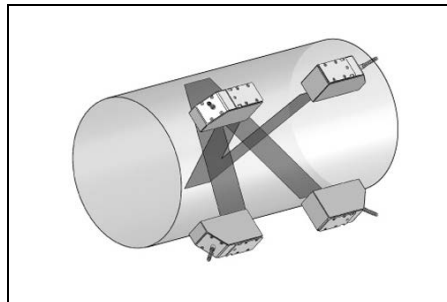


- smaller flow velocity and sound speed range compared to the diagonal arrangement
- cross-flow effects are compensated because the beam crosses the pipe in 2 directions
- higher accuracy of measurement because the accuracy increases with the number of sound paths

Diagonal arrangement with 2 beams



Reflection arrangement with 2 beams and 2 planes

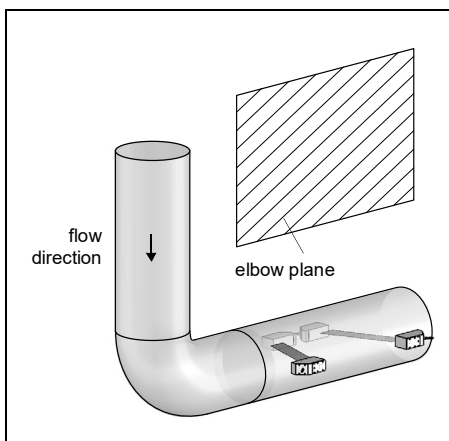


- same characteristics as reflection arrangement with 1 beam
- additional characteristic: influences of the flow profile are compensated because the measurement takes place in 2 planes

- same characteristics as diagonal arrangement with 1 beam
- additional characteristic: cross-flow effects are compensated because the measurement is conducted with 2 beams

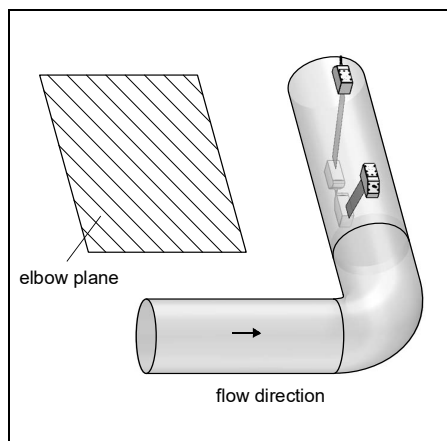
If the measuring point is situated near an elbow, the following measurement arrangements are recommended for the selection of the sound beam plane.

Vertical pipe



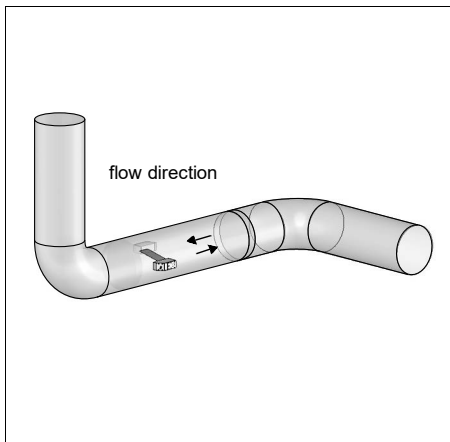
- The sound beam plane is selected at an angle of 90° to the elbow plane. The elbow is upstream of the measuring point.

Horizontal pipe



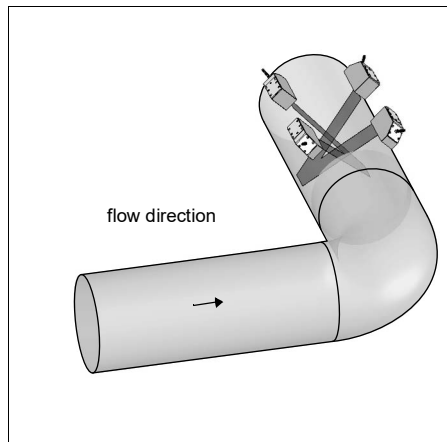
- The sound beam plane is selected at an angle of $90^\circ \pm 45^\circ$ to the elbow plane. The elbow is upstream of the measuring point.

Bidirectional measurement



- The sound beam plane is selected according to the nearest elbow (horizontal or vertical, depending on the pipe orientation, see above).

Measurement in reflection arrangement with 2 beams and 2 planes



- The 2 sound beam planes are selected at an angle of 45° to the elbow plane. The elbow is upstream of the measuring point.
- On horizontal pipes, the transducers are mounted on the upper half of the pipe.

6.2.2 Mounting of damping mats

Before mounting the transducer mounting fixture, damping mats have to be installed.

- Ultrasonic waves do not only propagate in the fluid but also in the pipe wall. Transducer damping mats are mounted to counteract the propagation of ultrasonic waves in the pipe wall.
- Ultrasonic waves are reflected at reflection points (e.g., flanges). Pipe damping mats are mounted to reduce the amplitude of the reflected ultrasonic waves.
- Depending on the transducer type, it can be necessary to mount several layers of damping mats.

Transducer damping mats

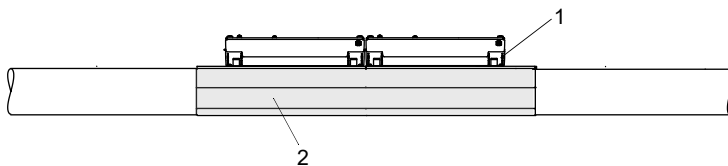
Transducer damping mats are mounted lengthwise on the pipe.

The mounting depends on the outer pipe diameter:

- < 900 mm: The transducer damping mats are mounted on the entire pipe circumference.
- > 900 mm: The transducer damping mats are only partially mounted on the pipe.

The transducer mounting fixture is mounted on the transducer damping mats.

Fig. 6.7: Mounted transducer damping mats in reflection arrangement



- 1 – transducer mounting fixture
- 2 – transducer damping mats

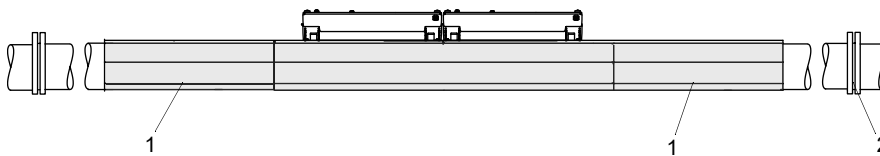
Pipe damping mats

Pipe damping mats can be mounted lengthwise or crosswise on the pipe. They are mounted on the entire pipe circumference.

Pipe damping mats can be mounted to reduce the propagation of acoustic noise in the pipe wall if it is not possible to keep the recommended distances to the reflection points.

If the measured SCNR value is > 40 dB, it is not necessary to mount pipe damping mats.

Fig. 6.8: Mounted transducer and pipe damping mats in reflection arrangement

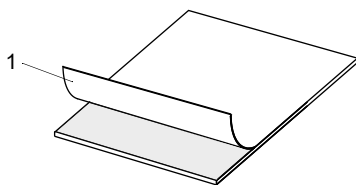


- 1 – pipe damping mats (mounted lengthwise)
- 2 – reflection point (e.g., flange, weld)

Self-adhesive damping mats

- Select the measuring point according to the recommendations in chapter 3.
- Observe the operating temperature of the damping mats (see technical specification, section "Damping mats").
- Determine the pipe area where the damping mats are to be mounted:
 - For outer pipe diameters < 900 mm, see section 6.2.2.1.
 - For outer pipe diameters > 900 mm, see section 6.2.2.2.
- Clean the pipe area where the damping mats are to be mounted:
 - If present, the paint layer has to be smoothed by grinding. The paint does not need to be removed completely.
 - Remove any rust or loose paint.
 - Remove any grease or dust. Clean the pipe surface with soap suds.
- Determine the number and size of the damping mats that are to be mounted:
 - For outer pipe diameters < 900 mm, see section 6.2.2.1.
 - For outer pipe diameters > 900 mm, see section 6.2.2.2.
- Cut the damping mats to size.
- Remove one part of the protective foil.

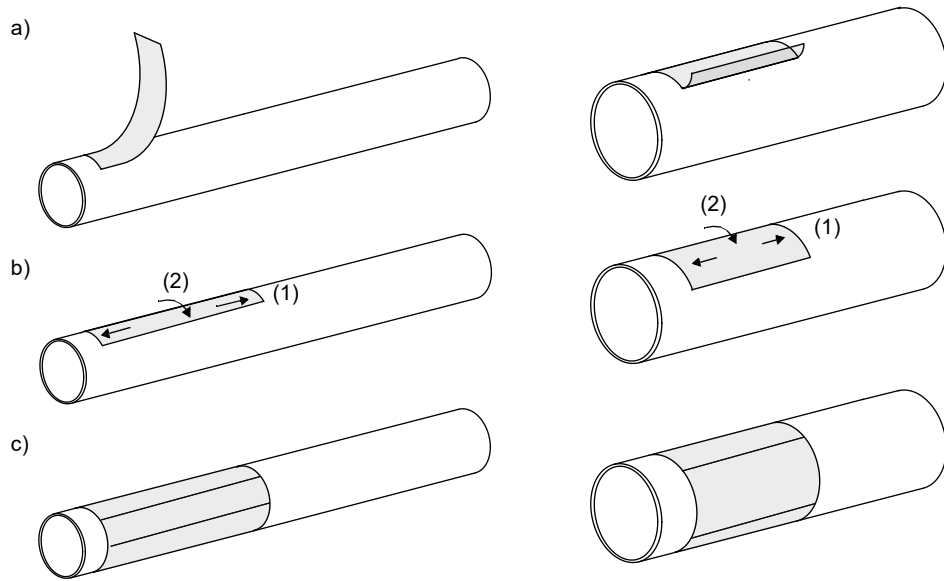
Fig. 6.9: Removal of the protective foil



- 1 – protective foil

- Fix the part of the damping mat without protective foil on the pipe (see Fig. 6.10 a).
- Remove the protective foil bit by bit and fix the damping mat to the pipe at the same time.
- Use a roller to fix the damping mat to the pipe.
- Press the roller on the damping mat:
 - First, move the roller from the middle to the edges of the damping mat (see (1) in Fig. 6.10 b).
 - Then move the roller in the middle of the damping mat along the pipe circumference (see (2) in Fig. 6.10 b).
- Repeat the steps until all damping mats are fixed to the pipe. The damping mats are mounted edge to edge (see Fig. 6.10 c).

Fig. 6.10: Mounting of the damping mats

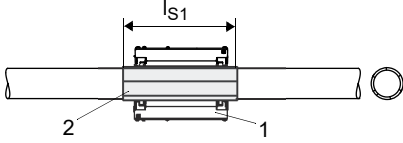
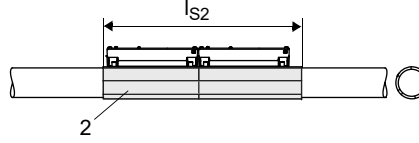
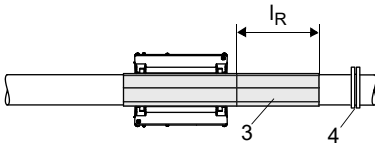
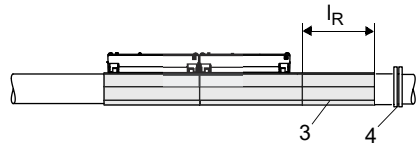
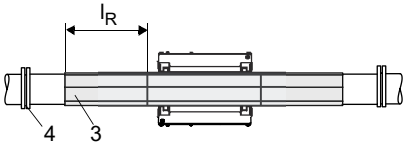
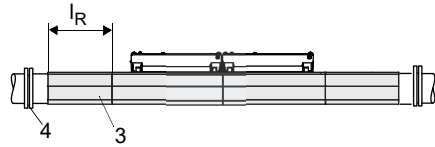


- Depending on the transducer type, it can be necessary to mount additional layers of damping mats, see technical specification, section "Damping mats". Repeat the steps for mounting the damping mats.
- If possible, make sure not to mount the transducers on the seams between the damping mats. If the transducers are mounted on the seams, there must be no gaps between the damping mats, i.e. the damping mats have to be installed edge to edge.

6.2.2.1 Outer pipe diameter < 900 mm

For the calculation of the mounting length of the transducer and pipe damping mats, see the following table.

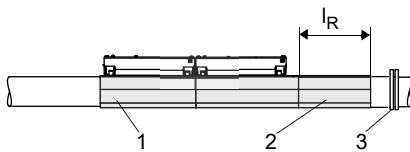
Tab. 6.1: Mounting length of the transducer and pipe damping mats

diagonal arrangement	reflection arrangement
<p>no reflection point</p> 	<p>no reflection point</p> 
<p>1 reflection point</p> 	<p>1 reflection point</p> 
<p>2 reflection points</p> 	<p>2 reflection points</p> 
<p>1 – transducer mounting fixture 2 – transducer damping mats 3 – pipe damping mats 4 – reflection point</p> <p>l_{S1} – mounting length of the transducer damping mats (diagonal arrangement) l_{S2} – mounting length of the transducer damping mats (reflection arrangement) l_R – mounting length of the pipe damping mats</p> <p>l_{S1} = length of the transducer mounting fixture + 2 × 20 mm l_{S2} = 2 × length of the transducer mounting fixture + 2 × 20 mm l_R = length of transducer mounting fixture + 2 × 20 mm</p>	

Example

measurement in reflection arrangement
2 transducer mounting fixtures Variofix L
transducer with frequency M
width of damping mat: 50 mm
outer pipe diameter: 100 mm
length of Variofix L: 310 mm
number of reflection points: 1
calculation of the mounting length (see Tab. 6.1):
transducer damping mat: $l_{S2} = 660$ mm
pipe damping mat: $l_R = 350$ mm
The total mounting length is 1010 mm.

Fig. 6.11: Outer pipe diameter < 900 mm



- 1 – transducer damping mats
- 2 – pipe damping mats
- 3 – reflection point

The transducer damping mats are mounted lengthwise on the pipe. The pipe damping mats can be mounted lengthwise or crosswise on the pipe. In this example, they are mounted lengthwise.

Number of damping mats

The damping mats are mounted on the entire pipe circumference.

pipe circumference: $2\pi r = 315$ mm

number of damping mats to be mounted: $315 \text{ mm} / 50 \text{ mm} = 6.3$

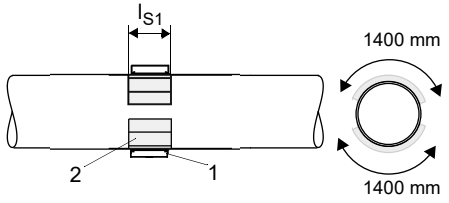
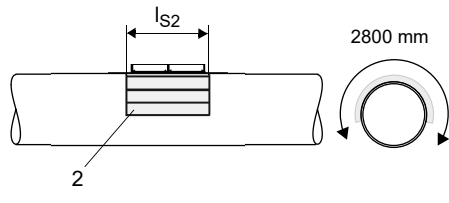
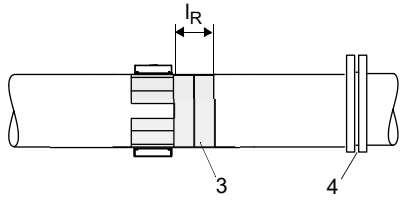
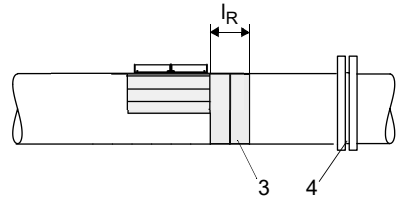
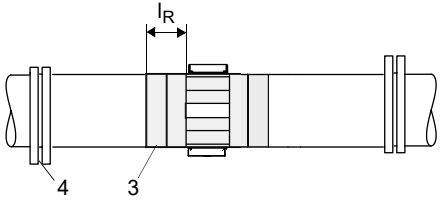
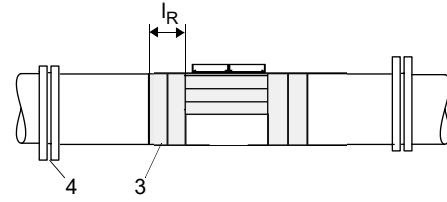
6 damping mats (1010 mm × 50 mm) + 1 damping mat (1010 mm × 15 mm)

The damping mats can be cut into smaller pieces to facilitate the installation.

6.2.2.2 Outer pipe diameter > 900 mm

For the calculation of the mounting length of the transducer and pipe damping mats, see the following table.

Tab. 6.2: Mounting length of the transducer and pipe damping mats

diagonal arrangement	reflection arrangement
<p>no reflection point</p> 	<p>no reflection point</p> 
<p>1 reflection point</p> 	<p>1 reflection point</p> 
<p>2 reflection points</p> 	<p>2 reflection points</p> 
<p>1 – transducer mounting fixture 2 – transducer damping mats 3 – pipe damping mats 4 – reflection point</p> <p>l_{S1} – mounting length of the transducer damping mats (diagonal arrangement) l_{S2} – mounting length of the transducer damping mats (reflection arrangement) l_R – mounting length of the pipe damping mats</p> <p>$l_{S1} = \text{length of the transducer mounting fixture} + 2 \times 20 \text{ mm}$ $l_{S2} = 2 \times \text{length of the transducer mounting fixture} + 2 \times 20 \text{ mm}$ $l_R = \text{length of transducer mounting fixture} + 2 \times 20 \text{ mm}$</p>	

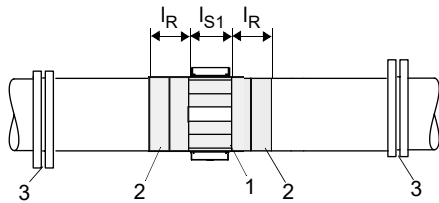
Example

measurement in diagonal arrangement
2 transducer mounting fixtures Variofix C
transducer with frequency G

width of damping mat: 225 mm
outer pipe diameter: 1200 mm
length of Variofix C: 560 mm
number of reflection points: 2

calculation of the mounting length (see Tab. 6.2):
transducer damping mat: $l_{S1} = 600$ mm
pipe damping mat: $l_R = 600$ mm (2 ×)
The total mounting length is 1800 mm.

Fig. 6.12: Outer pipe diameter > 900 mm



- 1 – transducer damping mats
- 2 – pipe damping mats
- 3 – reflection point

The transducer damping mats are mounted lengthwise on the pipe. The pipe damping mats can be mounted lengthwise or crosswise on the pipe. In this example, they are mounted crosswise.

Number of transducer damping mats

The transducer damping mats are mounted along the pipe circumference with a width of 2×1400 mm.
number of transducer damping mats to be mounted: $2 \times 1400 \text{ mm} / 225 \text{ mm} = 2 \times 6.2$
 2×6 damping mats ($600 \text{ mm} \times 225 \text{ mm}$) + 2×1 damping mat ($600 \text{ mm} \times 50 \text{ mm}$)

Number of pipe damping mats

The pipe damping mats are mounted along the entire pipe circumference.
pipe circumference: $2\pi r = 3770$ mm
number of pipe damping mats to be mounted: $2 \times 600 \text{ mm} / 225 \text{ mm} = 2 \times 2.7$ The value is rounded up.
 2×3 pipe damping mats ($3770 \text{ mm} \times 225 \text{ mm}$)
The damping mats can be cut into smaller pieces to facilitate the installation.

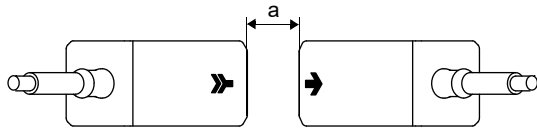
6.2.3 Installation of the transducers

6.2.3.1 Orientation of the transducers and determination of the transducer distance

Observe the orientation of the transducers. If the transducers have been mounted properly, the engravings on them form an arrow. The transducer cables show in opposite directions.

The transducer distance is measured between the inner edges of the transducers.

Fig. 6.13: Orientation and distance of the transducers



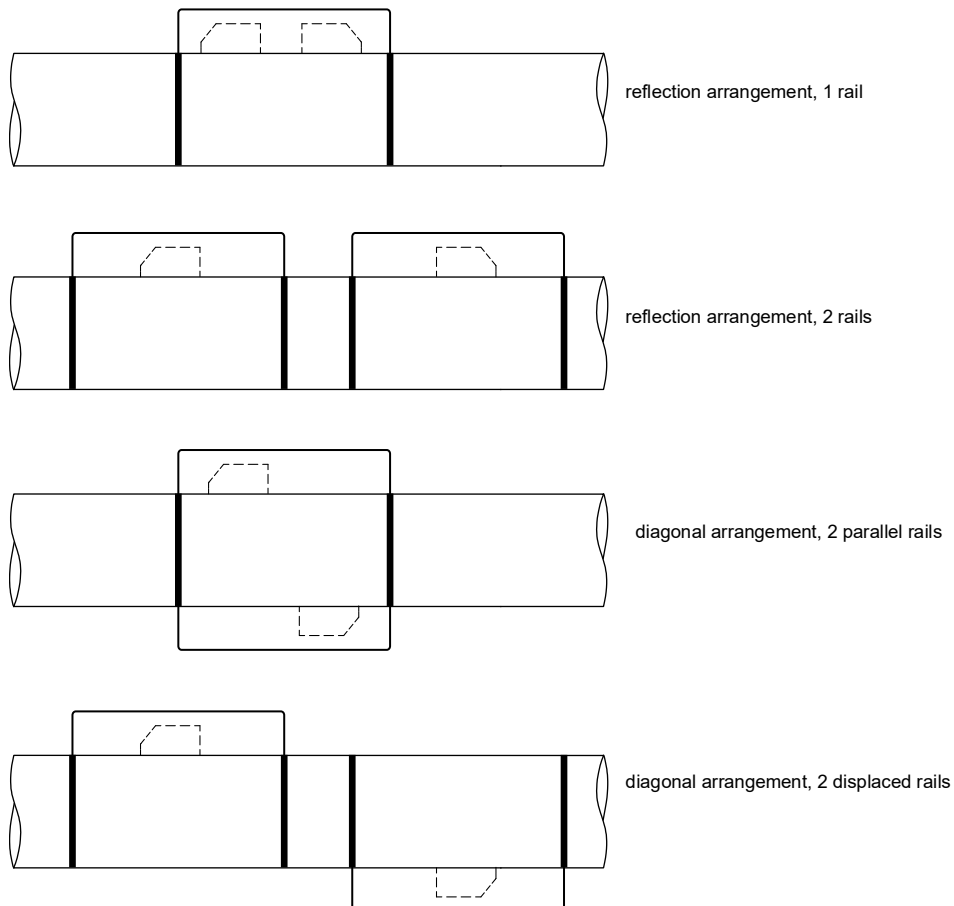
a – transducer distance

- Select the installation instructions of the supplied transducer mounting fixture.

6.2.3.2 Transducer arrangement

The transducers can be arranged in the mounting rails in different ways:

Fig. 6.14: Transducer arrangement in mounting rails



Transducer arrangement for wet gas measurement

A wet gas measurement can only be carried out on horizontal tubes. The transducers have to be mounted laterally to the pipe.

Fig. 6.15: Wet gas measurement (reflection arrangement)

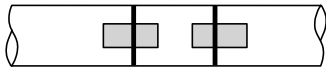
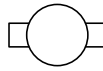


Fig. 6.16: Wet gas measurement (diagonal arrangement)

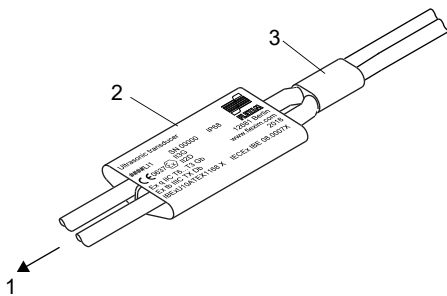


6.2.3.3 Mounting the transducers of type ****LI**

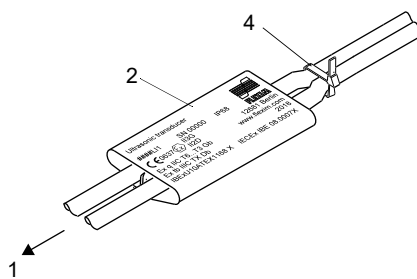
If the nameplate of the transducers ****LI** is removed from the transducer cable during installation, it has afterwards to be remounted and fixed to the transducer cable using the provided cable tie. The heat shrink tubing must not be reused.

Fig. 6.17: Nameplate on the transducer cable

before mounting:



after mounting:

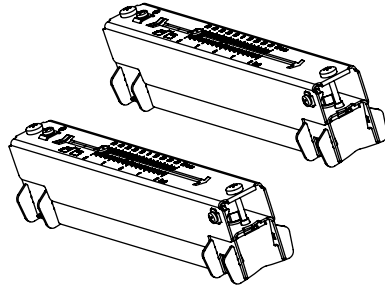


- 1 – transducers
- 2 – nameplate
- 3 – heat shrink tubing
- 4 – cable tie

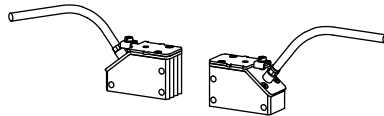
6.2.3.4 Mounting with Variofix L (PermaRail)

Scope of delivery (example)

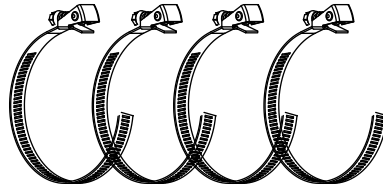
Variofix L



transducer pair

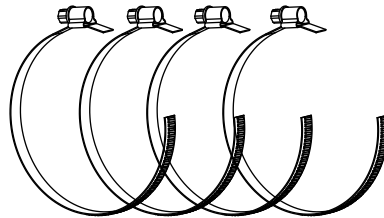


quick release clasp with tension strap



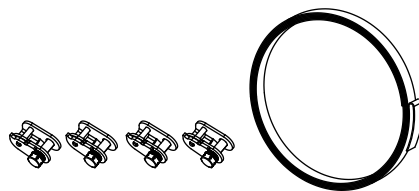
or

band clamp clasp with tension strap



or

ratchet clasp and tension strap coil



Mounting

When measuring in diagonal arrangement, the transducer mounting fixtures are mounted on opposite sides of the pipe. When measuring in reflection arrangement, the transducer mounting fixtures are mounted on the same side of the pipe. When measuring in diagonal arrangement with 2 beams in displaced X arrangement, 4 transducer mounting fixtures have to be mounted. When measuring in reflection arrangement with a small transducer distance, only 1 transducer mounting fixture has to be mounted.

Tab. 6.3: Approximate values for the mounting of both transducers in one Variofix L

transducer frequency (3rd character of the technical type)	rail length [mm]	transducer distance [mm]
F	368	< 94
G, H, K (****LI*)	368	< 94
G, H, K (except ****LI*)	348	< 89
M, P (Lamb wave transducers)	234	< 84
M, P (shear wave transducers)		< 100
Q	176	< 69

In the following, the mounting of 2 transducer mounting fixtures in reflection arrangement is described (1 transducer mounting fixture for each transducer).

Fig. 6.18: Transducer mounting fixture Variofix L (diagonal arrangement)

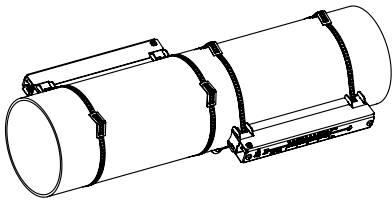
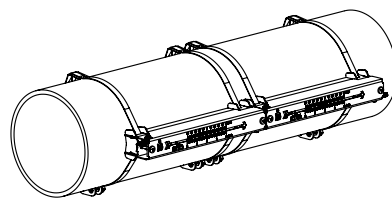


Fig. 6.19: Transducer mounting fixture Variofix L (reflection arrangement)



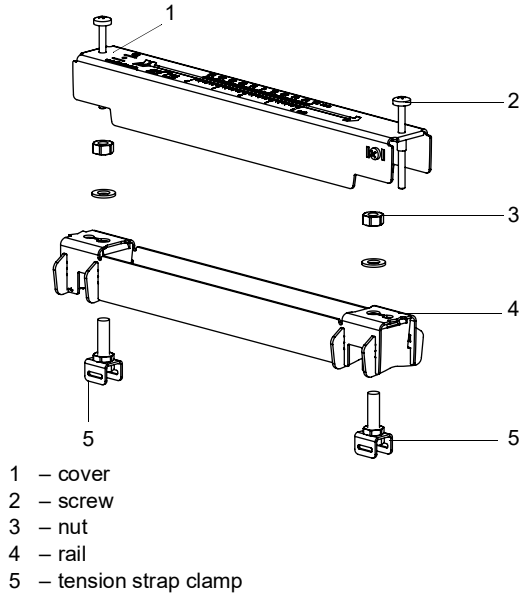
Overview of mounting steps

- **step 1**
disassembly of the transducer mounting fixture Variofix L
- **step 2**
fixation of the clasps to the tension straps
- **step 3**
fixation of the tension strap to the pipe
- **step 4**
fixation of the rail to the pipe
- **step 5**
installation of the transducers in the mounting fixture Variofix L

Step 1: Disassembly of the transducer mounting fixture Variofix L

- Disassemble the transducer mounting fixture Variofix L.

Fig. 6.20: Disassembly of the transducer mounting fixture Variofix L



Step 2: Fixation of the clasps to the tension straps

- Select the installation instruction of the supplied clasp:

Band clamp clasp

The clasp is fixed to the tension strap (see Fig. 6.21).

Quick release clasp

The clasp is fixed to the tension strap (see Fig. 6.22).

- Cut the tension strap to length (pipe circumference + at least 120 mm).

Fig. 6.21: Band clamp clasp with tension strap

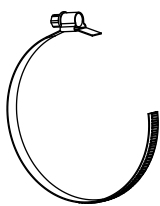
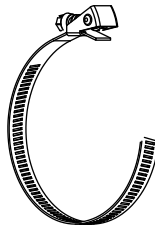


Fig. 6.22: Quick release clasp with tension strap



Ratchet clasp

- Cut the tension strap to length (pipe circumference + at least 120 mm).

Caution!



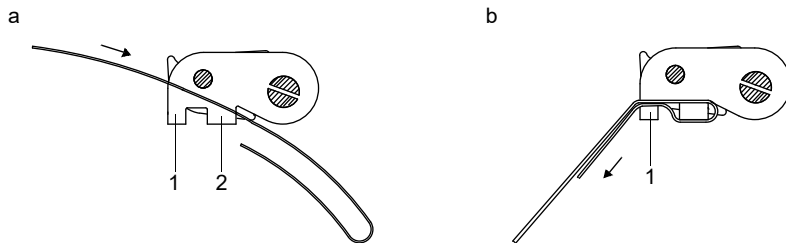
The edge of the tension strap is very sharp.

risk of injury

- Debur sharp edges.
- Wear the required personal protective equipment.
- Observe the applicable rules.

- Insert approx. 100 mm of the tension strap into part (1) and (2) of the ratchet clasp (see Fig. 6.23 a).
- Bend the tension strap.
- Insert the tension strap into part (1) of the ratchet clasp (see Fig. 6.23 b).
- Tighten the tension strap.
- Repeat the steps for the second tension strap.

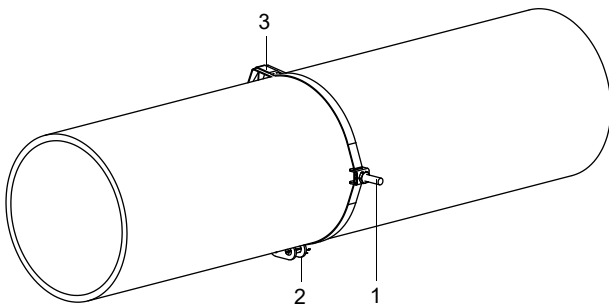
Fig. 6.23: Ratchet clasp with tension strap



Step 3: Fixation of the tension strap to the pipe

One tension strap is fixed to the pipe. The second tension strap will be mounted later.

Fig. 6.24: Tension strap with clamp and metal spring on the pipe



- 1 – tension strap clamp
- 2 – clasp
- 3 – metal spring

Select the installation instruction of the supplied clasp:

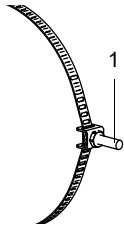
Band clamp clasp

- Insert the tension strap into its clamp (see Fig. 6.25).
- Position the clasp and the tension strap clamp on the pipe (see Fig. 6.24). On a horizontal pipe, mount the tension strap clamp laterally to the pipe, if possible.
- Place the tension strap around the pipe and insert it into the clasp (see Fig. 6.27).
- Tighten the tension strap.
- Tighten the clasp screw.

Quick release clasp

- Insert the tension strap into its clamp and the metal spring (see Fig. 6.25 and Fig. 6.26).
- Position the clasp, the tension strap clamp and the metal spring on the pipe (see Fig. 6.24):
 - On a horizontal pipe, mount the tension strap clamp laterally to the pipe, if possible.
 - Mount the metal spring opposite the tension strap clamp.

Fig. 6.25: Tension strap with clamp



1 – tension strap clamp

Fig. 6.26: Tension strap with quick release clasp and metal spring

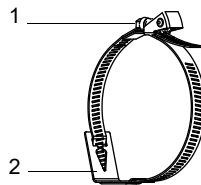
1 – clasp screw
2 – metal spring

Fig. 6.27: Tension strap with band clamp clasp



1 – clasp screw

- Place the tension strap around the pipe and insert it into the clasp (see Fig. 6.26).
- Tighten the tension strap.
- Tighten the clasp screw.

Ratchet clasp

- Insert the tension strap into its clamp and the metal spring (see Fig. 6.28). The metal spring does not have to be mounted on:
 - steel pipes
 - pipes with an outer diameter < 80 mm
 - pipes that are not subjected to significant temperature fluctuations
- Position the ratchet clasp, tension strap clamp and metal spring (if necessary) on the pipe (see Fig. 6.24):
 - On a horizontal pipe, mount the tension strap clamp laterally to the pipe, if possible.
 - Mount the metal spring (if necessary) opposite the tension strap clamp.
- Place the tension strap around the pipe and pass it through the slot of the clasp screw (see Fig. 6.29).
- Tighten the tension strap.
- Cut off the protruding tension strap (see Fig. 6.29).

Caution!**The edge of the tension strap is very sharp.**

risk of injury

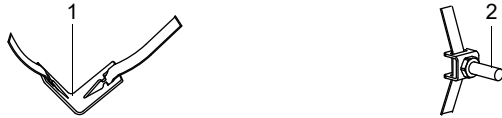
- Debur sharp edges.
- Wear the required personal protective equipment.
- Observe the applicable rules.

- Tighten the clasp screw.

Notice!

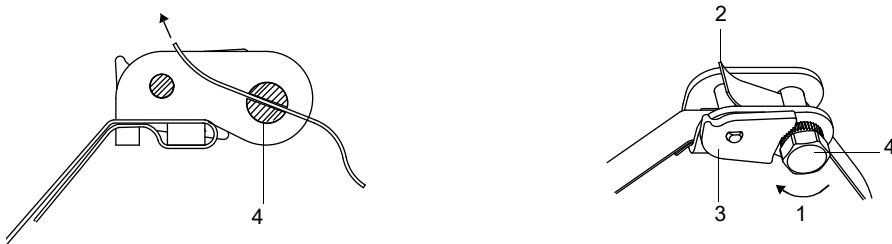
In order to release the screw and the tension strap, press the lever down (see Fig. 6.29).

Fig. 6.28: Tension strap with metal spring and clamp



- 1 – metal spring
- 2 – tension strap clamp

Fig. 6.29: Ratchet clasp with tension strap

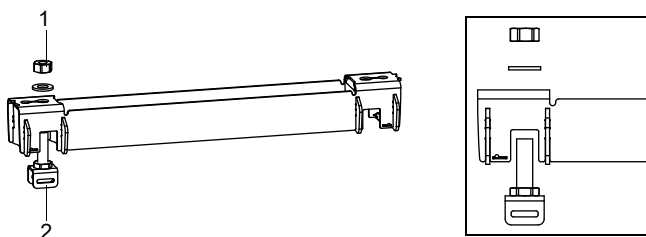


- 1 – sense of rotation
- 2 – edge
- 3 – lever
- 4 – clasp screw with slot

Step 4: Fixation of the rail to the pipe

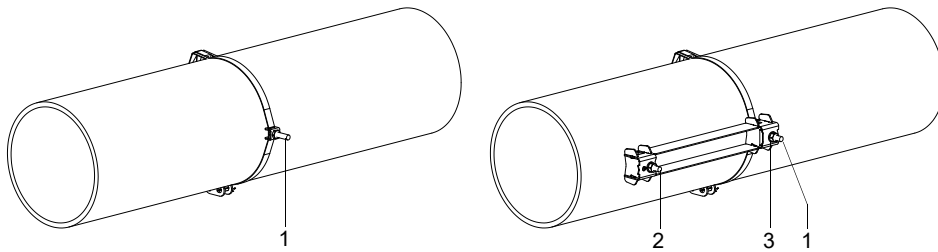
- Place the tension strap clamp (2) in the rail (see Fig. 6.30). Observe the orientation of the tension strap clamp.
- Slightly tighten the nut of the tension strap clamp (2).
- Screw the rail to tension strap clamp (1) (see Fig. 6.31).
- Tighten the nut of tension strap clamp (1), but not too firmly in order not to damage the tension strap.

Fig. 6.30: Rail with tension strap clamp



- 1 – nut
- 2 – tension strap clamp

Fig. 6.31: Rail, fixed on one side to the pipe



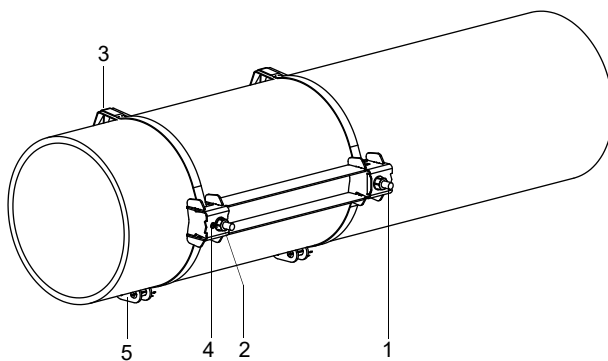
- 1 – tension strap clamp
- 2 – tension strap clamp
- 3 – nut

- Select the installation instruction of the supplied clasp:

Band clamp clasp

- Insert the tension strap into the tension strap clamp (2).
- Place the tension strap around the pipe and insert it into the clasp (see Fig. 6.32 and Fig. 6.33).
- Tighten the tension strap.
- Tighten the clasp screw.
- Tighten the nut of tension strap clamp (2), but not too firmly in order not to damage the tension strap.

Fig. 6.32: Rail on the pipe



- 1 – tension strap clamp
- 2 – tension strap clamp
- 3 – metal spring
- 4 – nut
- 5 – clasp

Quick release clasp

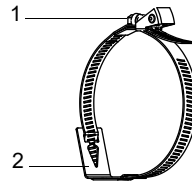
- Insert the tension strap into its clamp (2) and the metal spring.
- Place the tension strap around the pipe and insert it into the clasp (see Fig. 6.32 and Fig. 6.34).
- Position the metal spring opposite the tension strap clamp (2).
- Tighten the tension strap.
- Tighten the clasp screw.
- Tighten the nut of tension strap clamp (2), but not too firmly in order not to damage the tension strap.

Fig. 6.33: Tension strap with band clamp clasp



1 – clasp screw

Fig. 6.34: Tension strap with quick release clasp and metal spring



1 – clasp screw
2 – metal spring

Ratchet clasp

- Insert the tension strap into its clamp (2) and the metal spring (see Fig. 6.32 and Fig. 6.35). The metal spring does not have to be mounted on:
 - steel pipes
 - pipes with an outer diameter < 80 mm
 - pipes that are not subjected to significant temperature fluctuations
- Position the ratchet clasp, tension strap clamp (2) and metal spring (if necessary) on the pipe.
- Mount the metal spring opposite the tension strap clamp.
- Place the tension strap around the pipe and pass it through the slot of the clasp screw (see Fig. 6.36).
- Tighten the tension strap.
- Cut off the protruding tension strap (see Fig. 6.36).

Caution!



The edge of the tension strap is very sharp.

risk of injury

- Debur sharp edges.
- Wear the required personal protective equipment.
- Observe the applicable rules.

- Tighten the clasp screw.
- Tighten the nut of the tension strap clamp (2), but not too firmly in order not to damage the tension strap (see Fig. 6.32).

Notice!

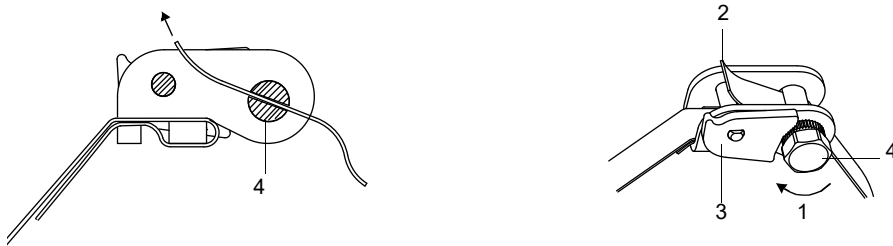
In order to release the screw and the tension strap, press the lever down (see Fig. 6.29).

Fig. 6.35: Tension strap with metal spring and clamp



- 1 – metal spring
- 2 – tension strap clamp

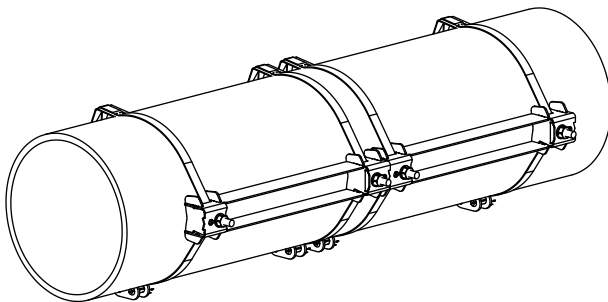
Fig. 6.36: Ratchet clasp with tension strap



- 1 – sense of rotation
- 2 – edge
- 3 – lever
- 4 – clasp screw with slot

• Repeat the steps to fix the second rail, see Fig. 6.37.

Fig. 6.37: Pipe with 2 rails



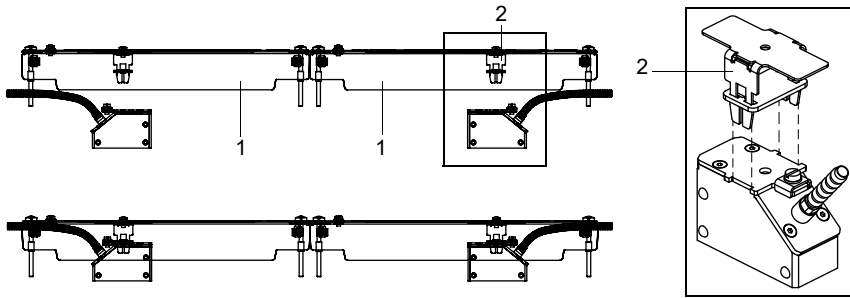
Step 5: Installation of the transducers in the mounting fixture Variofix L

- Press the transducers firmly into their clamping fixtures in the covers until they are tightly fixed. The transducer cables show in opposite directions (see Fig. 6.38).

Notice!

The arrows on the transducers and the covers have to point in the same direction.

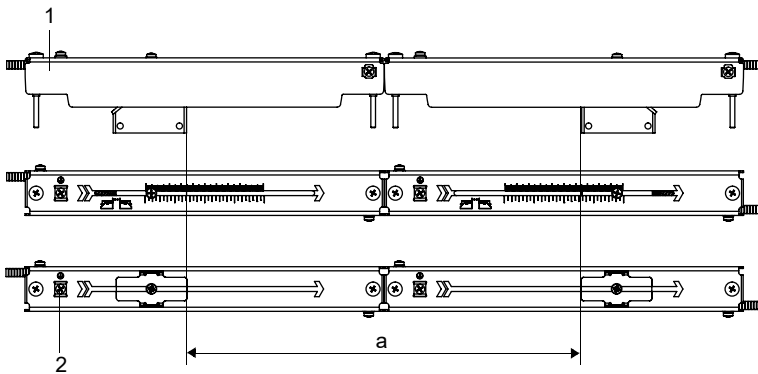
Fig. 6.38: Installation of the transducers in the covers



- 1 – cover
- 2 – transducer clamping fixture

- Adjust the transducer distance displayed by the transmitter (see Fig. 6.39).

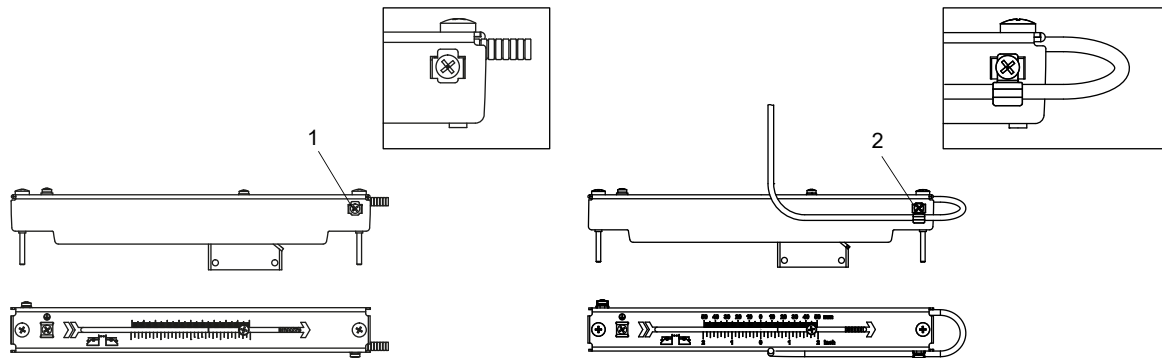
Fig. 6.39: Adjustment of the transducer distance



- 1 – cover
- 2 – equipotential bonding terminal
- a – transducer distance

- Fix the transducer cables with the strain relief clamp to protect them from mechanical strain. Transducer cables with stainless steel conduit are fixed inside the housing, transducer cables with plastic conduit are fixed to the outside of the housing, see Fig. 6.40.
- Put coupling foil (or apply some coupling compound for a short-term installation) on the contact surface of the transducers. The coupling foil can be fixed to the contact surface with some coupling compound.
- Put the covers with the transducers on the rails.
- Correct the transducer distance, if necessary.

Fig. 6.40: Fixing the transducer cables



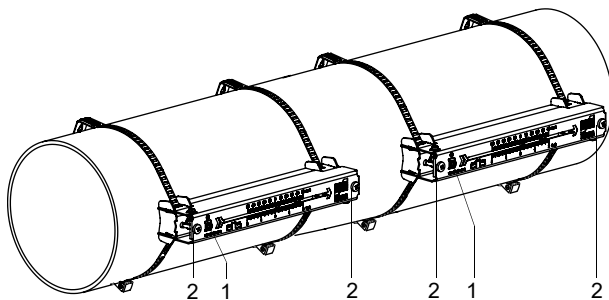
- 1 – strain relief clamp for transducer cable with stainless steel conduit
- 2 – strain relief clamp for transducer cable with plastic conduit

Notice!

Make sure that the coupling foil remains on the contact surface of the transducers. For information concerning the coupling foil, see the safety data sheet.

- Tighten the cover screws, see Fig. 6.41.

Fig. 6.41: Variofix L with transducers on the pipe

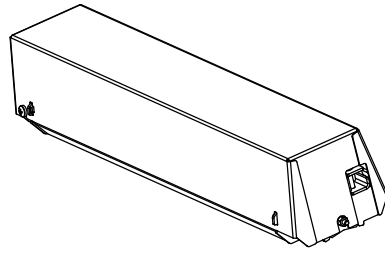


- 1 – equipotential bonding terminal
- 2 – cover screws

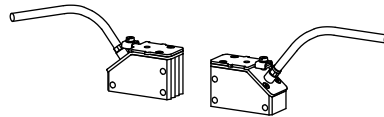
6.2.3.5 Mounting with Variofix C

Scope of delivery (example)

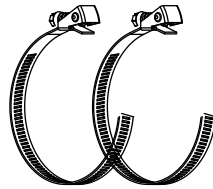
Variofix C



transducer pair

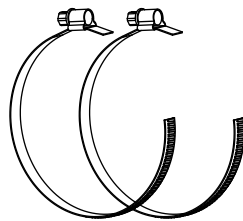


quick release clasp with tension strap



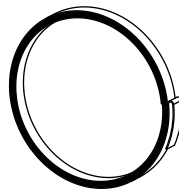
or

band clamp clasp with tension strap



or

tension strap coil



ratchet clasp



Mounting

When measuring in reflection arrangement, 1 transducer mounting fixture is mounted laterally on the pipe.

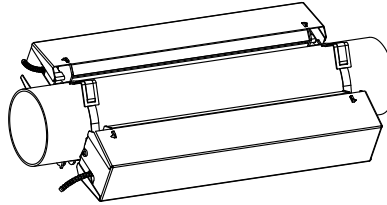
When measuring in diagonal arrangement, 2 transducer mounting fixtures are mounted on opposite sides of the pipe.

In the following, the mounting of 1 transducer mounting fixture in reflection arrangement is described.

Fig. 6.42: Transducer mounting fixture Variofix C (reflection arrangement)



Fig. 6.43: Transducer mounting fixture Variofix C (diagonal arrangement)



Overview of the mounting steps

- **step 1**
disassembly of the transducer mounting fixture Variofix C
- **step 2**
fixation of the clasps to the tension straps
- **step 3**
fixation of the tension strap to the pipe
- **step 4**
fixation of the rail to the pipe
- **step 5**
installation of the transducers in the transducer mounting fixture Variofix C

Step 1: Disassembly of the transducer mounting fixture Variofix C

- Disassemble the transducer mounting fixture Variofix C.

In order to remove the cover from the rail, bend the outer sides of the cover outwards.

In order to remove the spring clip from the rail, slide it over the indentations on the rail and lift it off.

Fig. 6.44: Removal of the cover

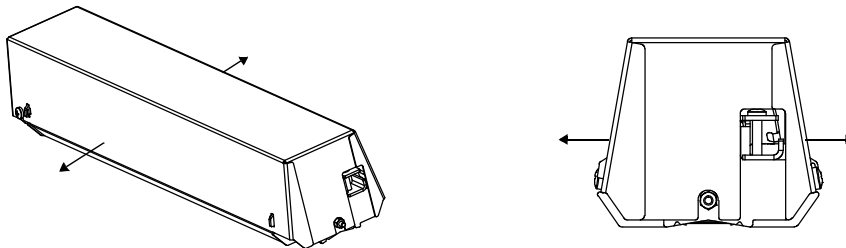
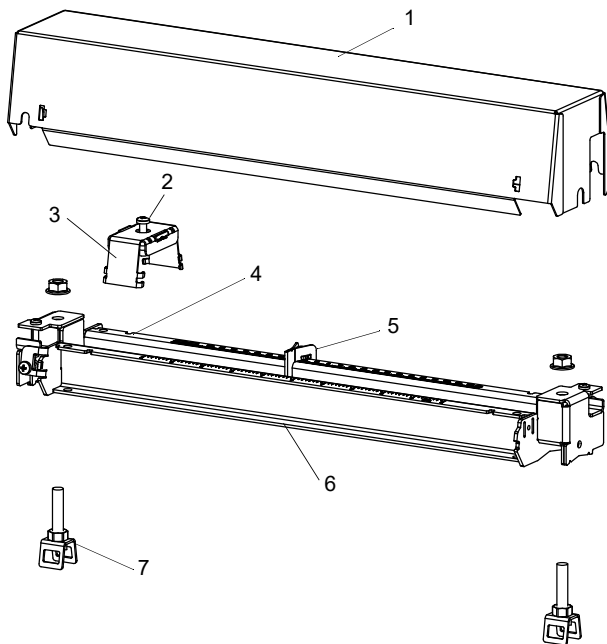


Fig. 6.45: Disassembly of the transducer mounting fixture Variofix C



- 1 – cover
- 2 – tensioning screw
- 3 – spring clip
- 4 – indentation
- 5 – spacing element
- 6 – rail
- 7 – tension strap clamp

Step 2: Fixation of the clasps to the tension straps

- Select the installation instruction of the supplied clasp:

Band clamp clasp

The clasp is fixed to the tension strap (see Fig. 6.46).

Quick release clasp

The clasp is fixed to the tension strap (see Fig. 6.47).

- Cut the tension strap to length (pipe circumference + at least 120 mm).

Fig. 6.46: Band clamp clasp with tension strap

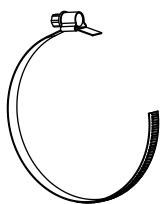
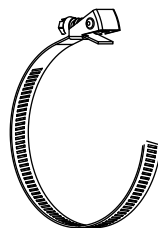


Fig. 6.47: Quick release clasp with tension strap



Ratchet clasp

- Cut the tension strap to length (pipe circumference + at least 120 mm).

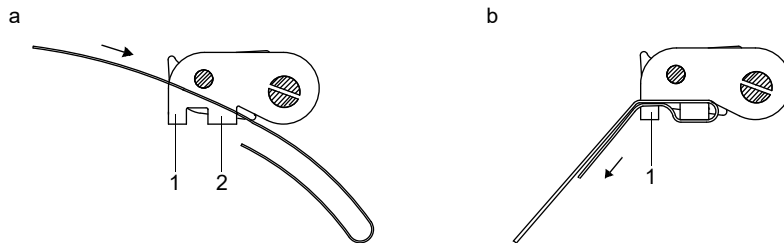
Caution!**The edge of the tension strap is very sharp.**

Risk of injury!

- Debur sharp edges.
- Wear the required personal protective equipment.
- Observe the applicable rules.

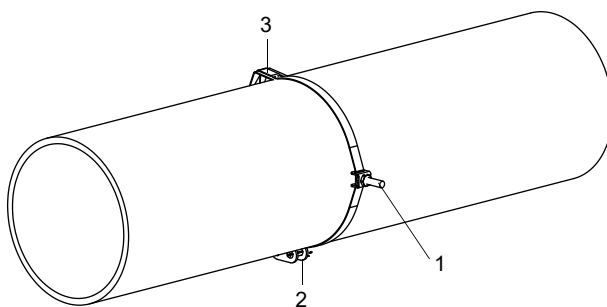
- Insert approx. 100 mm of the tension strap into part (1) and (2) of the ratchet clasp (see Fig. 6.48 a).
- Bend the tension strap.
- Insert the tension strap into part (1) of the ratchet clasp (see Fig. 6.48 b).
- Tighten the tension strap.
- Repeat the steps for the second tension strap.

Fig. 6.48: Ratchet clasp with tension strap

**Step 3: Fixation of the tension strap to the pipe**

One tension strap is fixed to the pipe. The second tension strap will be mounted later.

Fig. 6.49: Tension strap with clamp and metal spring on the pipe



- 1 – tension strap clamp
- 2 – clasp
- 3 – metal spring

Select the installation instruction of the supplied clasp:

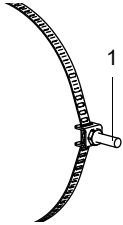
Band clamp clasp

- Insert the tension strap into its clamp (see Fig. 6.50).
- Position the clasp and the tension strap clamp on the pipe (see Fig. 6.49). On a horizontal pipe, mount the tension strap clamp laterally to the pipe, if possible.
- Place the tension strap around the pipe and insert it into the clasp (see Fig. 6.52).
- Tighten the tension strap.
- Tighten the clasp screw.

Quick release clasp

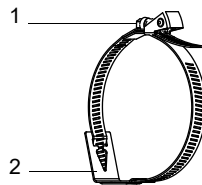
- Insert the tension strap into its clamp and the metal spring (see Fig. 6.50 and Fig. 6.51).
- Position the clasp, the tension strap clamp and the metal spring on the pipe (see Fig. 6.49):
 - On a horizontal pipe, mount the tension strap clamp laterally to the pipe, if possible.
 - Mount the metal spring on the opposite side of the tension strap clamp.

Fig. 6.50: Tension strap with clamp



1 – tension strap clamp

Fig. 6.51: Tension strap with quick release clasp and metal spring



1 – clasp screw
2 – metal spring

Fig. 6.52: Tension strap with band clamp clasp



1 – clasp screw

- Place the tension strap around the pipe and insert it into the clasp (see Fig. 6.51).
- Tighten the tension strap.
- Tighten the clasp screw.

Ratchet clasp

- Insert the tension strap into its clamp and the metal spring (see Fig. 6.53). The metal spring does not have to be mounted on:
 - steel pipes
 - pipes with an outer diameter < 80 mm
 - pipes that are not subjected to significant temperature fluctuations
- Position the ratchet clasp, tension strap clamp and metal spring (if necessary) on the pipe (see Fig. 6.49):
 - On a horizontal pipe, mount the tension strap clamp laterally to the pipe, if possible.
 - Mount the metal spring (if necessary) on the opposite side of the tension strap clamp.
- Place the tension strap around the pipe and pass it through the slot of the clasp screw (see Fig. 6.54).
- Tighten the tension strap.
- Cut off the protruding tension strap (see Fig. 6.54).

Caution!



The edge of the tension strap is very sharp.

Risk of injury!

- Debur sharp edges.
- Wear the required personal protective equipment.
- Observe the applicable rules.

- Tighten the clasp screw.

Notice!

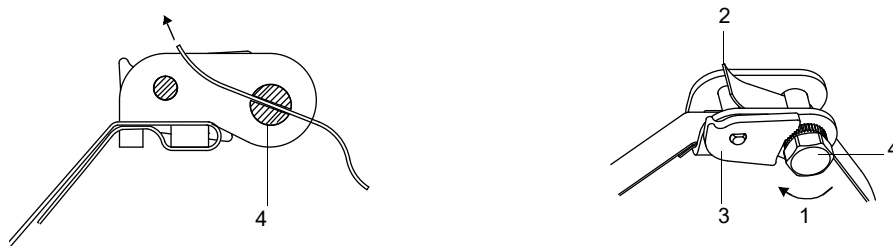
In order to release the screw and the tension strap, press the lever down (see Fig. 6.54).

Fig. 6.53: Tension strap with metal spring and clamp



- 1 – metal spring
- 2 – tension strap clamp

Fig. 6.54: Ratchet clasp with tension strap

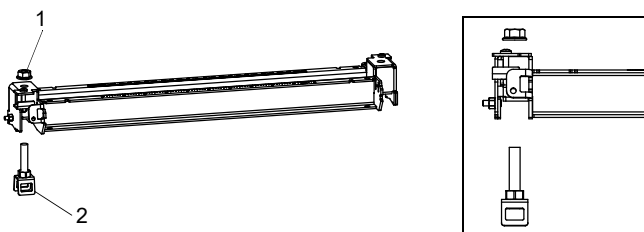


- 1 – sense of rotation
- 2 – edge
- 3 – lever
- 4 – clasp screw with slot

Step 4: Fixation of the rail to the pipe

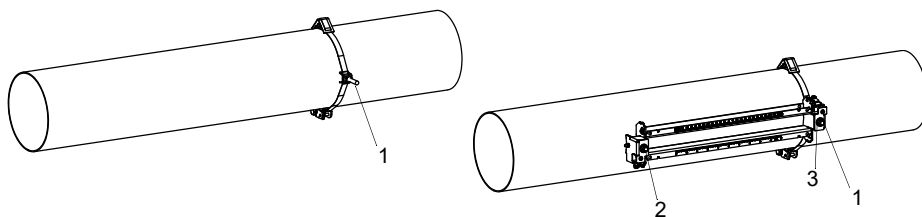
- Place the tension strap clamp (2) in the rail (see Fig. 6.55). Observe the orientation of the tension strap clamp.
- Slightly tighten the nut of the tension strap clamp (2).
- Screw the rail to tension strap clamp (1) (see Fig. 6.56).
- Tighten the nut of tension strap clamp (1), but not too firmly in order not to damage the tension strap.

Fig. 6.55: Rail with tension strap clamp



- 1 – nut
- 2 – tension strap clamp

Fig. 6.56: Rail, fixed on one side to the pipe



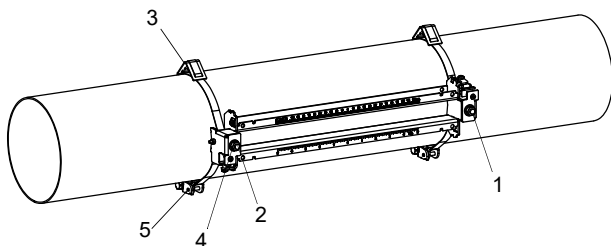
- 1 – tension strap clamp
- 2 – tension strap clamp
- 3 – nut

- Select the installation instruction of the supplied clasp:

Band clamp clasp

- Insert the tension strap into the tension strap clamp (2).
- Place the tension strap around the pipe and insert it into the clasp (see Fig. 6.57 and Fig. 6.58).
- Tighten the tension strap.
- Tighten the clasp screw.
- Tighten the nut of tension strap clamp (2), but not too firmly in order not to damage the tension strap. The rail has to be firmly fixed to the pipe.

Fig. 6.57: Rail on the pipe



- 1 – tension strap clamp
- 2 – tension strap clamp
- 3 – metal spring
- 4 – nut
- 5 – clasp

Quick release clasp

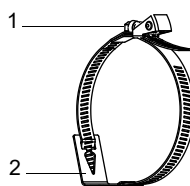
- Insert the tension strap into its clamp (2) and the metal spring.
- Place the tension strap around the pipe and insert it into the clasp (see Fig. 6.57 and Fig. 6.59).
- Position the metal spring on the opposite side of the tension strap clamp (2).
- Tighten the tension strap.
- Tighten the clasp screw.
- Tighten the nut of tension strap clamp (2), but not too firmly in order not to damage the tension strap.

Fig. 6.58: Tension strap with band clamp clasp



- 1 – clasp screw

Fig. 6.59: Tension strap with quick release clasp and metal spring



- 1 – clasp screw
- 2 – metal spring

Ratchet clasp

- Insert the tension strap into its clamp (2) and the metal spring (see Fig. 6.57 and Fig. 6.60). The metal spring does not have to be mounted on:
 - steel pipes
 - pipes with an outer diameter < 80 mm
 - pipes that are not subjected to significant temperature fluctuations
- Position the ratchet clasp, tension strap clamp (2) and metal spring (if necessary) on the pipe.
- Mount the metal spring on the opposite side of the tension strap clamp.
- Place the tension strap around the pipe and pass it through the slot of the clasp screw (see Fig. 6.61).
- Tighten the tension strap.
- Cut off the protruding tension strap (see Fig. 6.61).

Caution!

The edge of the tension strap is very sharp.

Risk of injury!

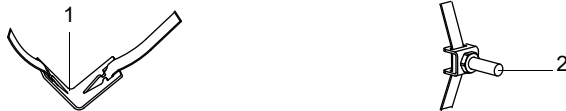
- Debur sharp edges.
- Wear the required personal protective equipment.
- Observe the applicable rules.

- Tighten the clasp screw.
- Tighten the nut of the tension strap clamp (2), but not too firmly in order not to damage the tension strap (see Fig. 6.57).

Notice!

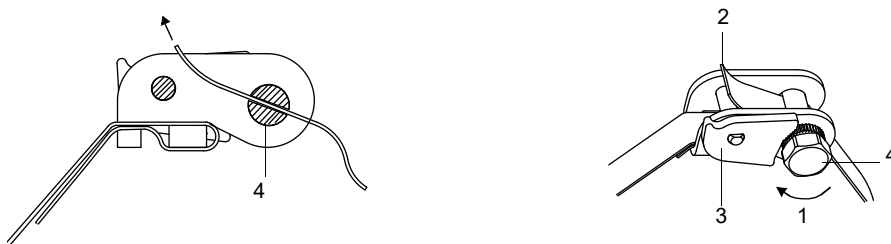
In order to release the screw and the tension strap, press the lever down (see Fig. 6.61).

Fig. 6.60: Tension strap with metal spring and clamp



- 1 – metal spring
- 2 – tension strap clamp

Fig. 6.61: Ratchet clasp with tension strap



- 1 – sense of rotation
- 2 – edge
- 3 – lever
- 4 – clasp screw with slot

Step 5: Installation of the transducers in the mounting fixture Variofix C

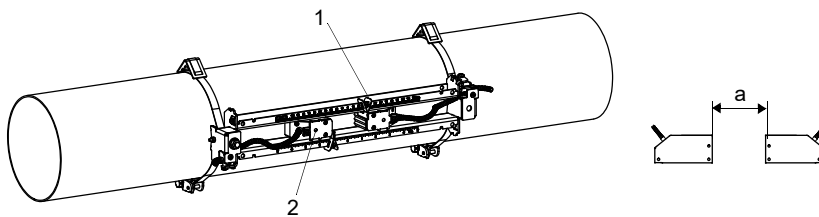
- Put coupling foil (or apply some coupling compound for a short-term installation) on the contact surface of the transducers. The coupling foil can be fixed to the contact surface with a small amount of coupling compound.

Notice!

If the signal is not sufficient for the measurement, use coupling compound instead of coupling foil. For information concerning the coupling foil or coupling compound, see the safety data sheet.

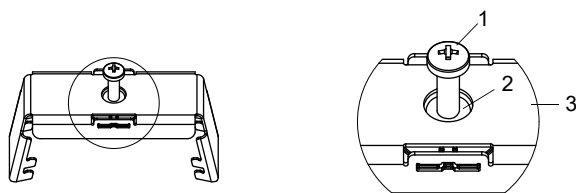
- Position the transducers on the rail in such a way that the engravings on them form an arrow. The transducer cables show in opposite directions (see Fig. 6.62).
- Adjust the transducer distance displayed by the transmitter (see Fig. 6.62).
- Slide the spring clips on the transducers (see Fig. 6.64).
- Fix the transducers by slightly tightening the tensioning screws. The end of each tensioning screw has to be placed above the hole in the respective transducer (see Fig. 6.62 and Fig. 6.64).
- Correct the transducer distance, if necessary.
- Tighten the tensioning screws until the collar of the rivet nut is flush with the clip (see Fig. 6.63).
- Fix the spacing elements on the rail to mark the transducer position (see Fig. 6.62).
- Use the cable fixture to fix the transducer cables in order to protect them from mechanical strain (see Fig. 6.64).
- Put the cover on the rail (see Fig. 6.65).
- Tighten the screws (2) on both sides of the cover (see Fig. 6.65).

Fig. 6.62: Transducers in the rail (spring clip not shown)



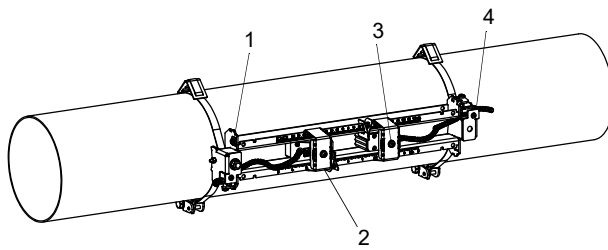
- 1 – spacing element
- 2 – hole
- a – transducer distance

Fig. 6.63: Spring clip



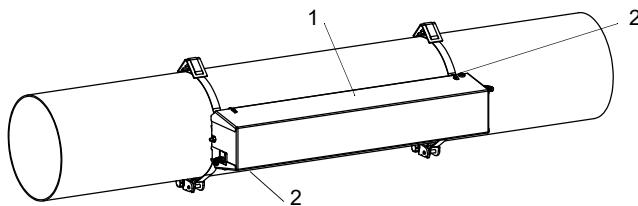
- 1 – tensioning screw
- 2 – collar of the rivet nut
- 3 – clip

Fig. 6.64: Transducers in rail



- 1 – equipotential bonding terminal
- 2 – spring clip
- 3 – tensioning screw
- 4 – cable fixture

Fig. 6.65: Variofix C with transducers on the pipe

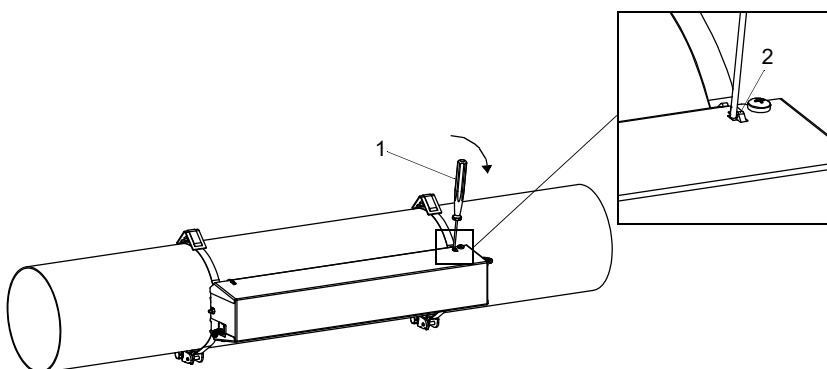


- 1 – cover
- 2 – screw

Remove the cover from the mounted transducer mounting fixture Variofix C as follows:

- Loosen the screws (see Fig. 6.65).
- Use a lever tool to remove the cover.
- Insert the lever tool (max. 3 mm) in one of the 4 openings of the cover (see Fig. 6.66).
- Press the lever tool against the fixture.
- Bend the cover outwards and release it from the anchoring.
- Repeat the steps for the other 3 openings.
- Remove the cover from the rail.

Fig. 6.66: Removal of the cover



- 1 – lever tool
- 2 – fixture

6.3 Temperature probe

6.3.1 Pipe preparation

Caution!



Contact with grinding dust

This may result in injuries (e.g., breathing difficulties, skin reactions, eye irritations).

- Wear the required personal protective equipment.
- Observe the applicable rules.

Important!

The pipe has to be sufficiently stable to withstand the pressure exerted by the temperature probe.

Rust, paint or deposits on the pipe thermally insulate the measuring point. A good thermal contact between the pipe and the temperature probe is obtained as follows:

- Clean the pipe at the selected measuring point.
 - Remove any insulation material, rust or loose paint.
 - If present, the paint layer has to be smoothed by grinding. The paint does not need to be removed completely.
- Use coupling foil or apply a layer of thermal conductivity paste or coupling compound on the contact surface of the temperature probe. Observe the specific ambient temperature.
- Observe that there must be no air pockets between the contact surface of the temperature probe and the pipe wall.

6.3.2 Installation of the temperature probe (response time 50 s)

Notice!

The temperature probe has to be thermally insulated.

Select the installation instruction of the supplied clasp:

6.3.2.1 Installation with clasp

Caution!



The edge of the tension strap is very sharp.

Risk of injury!

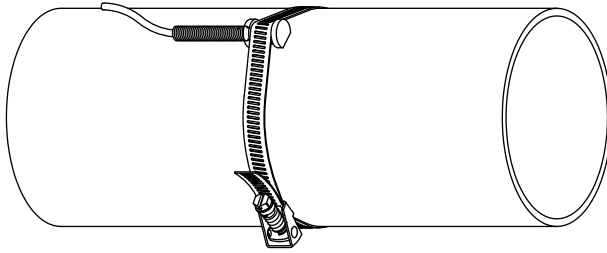
- Debur sharp edges.
- Wear the required personal protective equipment.
- Observe the applicable rules.

- Cut the tension strap to length (pipe circumference + at least 120 mm).
- Make sure that part (2) of the clasp is on top of part (1), see Fig. 6.67 a. The hooks of part (2) have to be on the outer side of the clasp.
- Pull approx. 20 mm of the tension strap through the slot of the clasp to fix the clasp to the tension strap, see Fig. 6.67 b.
- Bend the end of the tension strap.
- Position the temperature probe on the pipe (see Fig. 6.68).
- Place the tension strap around the temperature probe and the pipe.
- Push the tension strap through part (2) and (1) of the clasp.
- Tighten the tension strap and engage it in the inner hook of the clasp.
- Tighten the screw of the clasp.

Fig. 6.67: Clasp



Fig. 6.68: Temperature probe on the pipe



6.3.2.2 Installation with Flexim clasp

Caution!



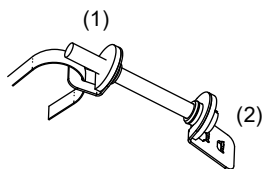
The edge of the tension strap is very sharp.

Risk of injury!

- Debur sharp edges.
- Wear the required personal protective equipment.
- Observe the applicable rules.

- Cut the tension strap to length (pipe circumference + at least 120 mm).
- Insert approx. 20 mm of the tension strap into the slot of the clasp.
- Bend the end of the tension strap.
- Position the temperature probe on the pipe (see Fig. 6.68).
- Place the tension strap around the temperature probe and the pipe.
- Push the tension strap through part (2) and (1) of the clasp.
- Tighten the tension strap and engage it in the inner hook of the clasp.
- Tighten the screw of the clasp.

Fig. 6.69: Flexim clasp



6.3.2.3 Installation with quick release clasp

Caution!



The edge of the tension strap is very sharp.

Risk of injury!

- Debur sharp edges.
- Wear the required personal protective equipment.
- Observe the applicable rules.

- Cut the tension strap to length (pipe circumference + at least 120 mm).
- Position the temperature probe on the pipe (see Fig. 6.68).
- Place the tension strap around the temperature probe and the pipe.
- Insert the tension strap into the clasp.
- Tighten the tension strap.
- Tighten the screw of the clasp.

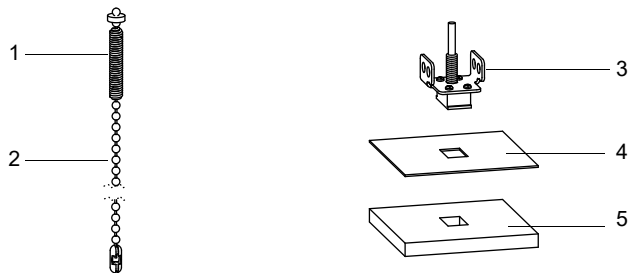
Fig. 6.70: Quick release clasp



6.3.3 Installation of the temperature probe (response time 8 s)

- Fix the protection plate and the insulation foam to the temperature probe, see Fig. 6.71.
- Take the spring end of the chain and insert the first ball into one of the slots on the upper side of the temperature probe, see Fig. 6.72.
- Place the chain around the pipe.
- Tighten the chain and insert it into the other slot of the temperature probe.

Fig. 6.71: Temperature probe

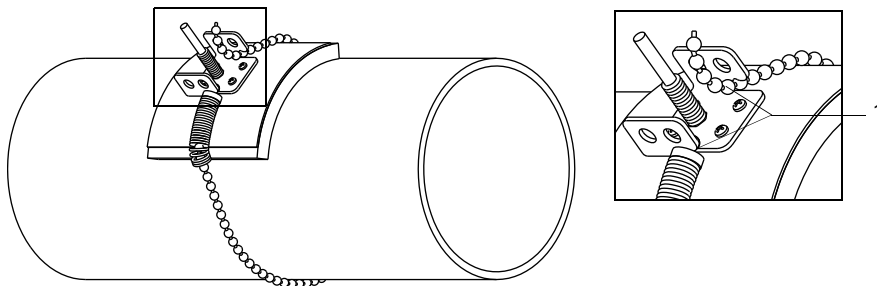


- 1 – spring end
- 2 – chain
- 3 – temperature probe
- 4 – protection plate
- 5 – insulation foam

Notice!

The entire contact surface of the temperature probe always has to rest on the pipe. In case of very small pipes, the protection plate and the insulation foam have to be cut to size, if necessary.

Fig. 6.72: Temperature probe on the pipe



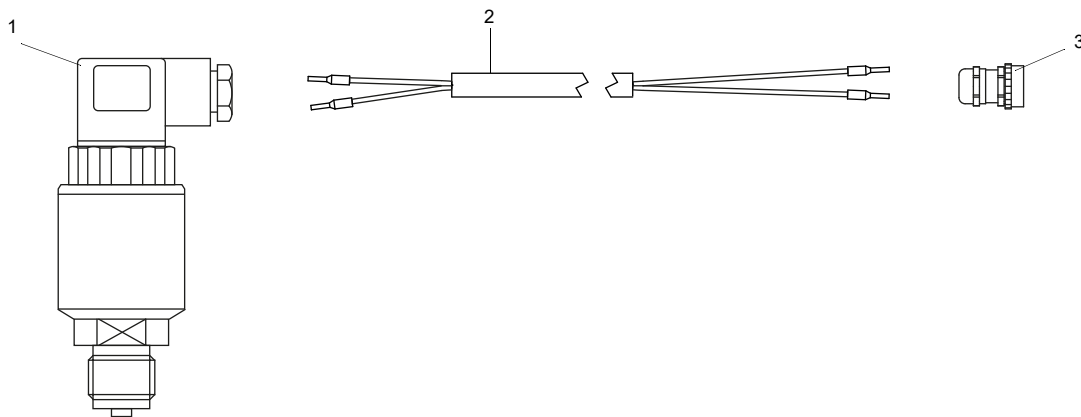
- 1 – slots on the upper side of the temperature probe

6.4 Pressure transmitter

Scope of delivery

The scope of delivery includes the following parts for the installation and connection of the pressure transmitter:

Fig. 6.73: Scope of delivery



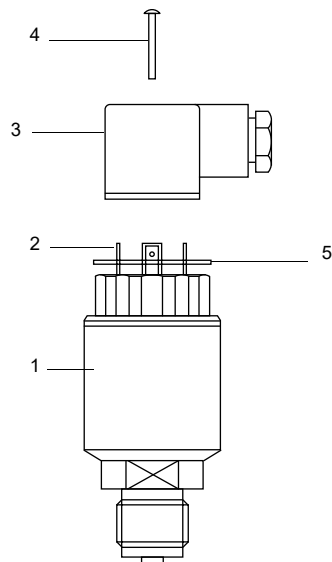
- 1 – 1 × pressure transmitter with connector
- 2 – 1 × cable
- 3 – 1 × cable gland and reducer

Installation

Before mounting the pressure transmitter onto the pipe, the connector has to be removed.

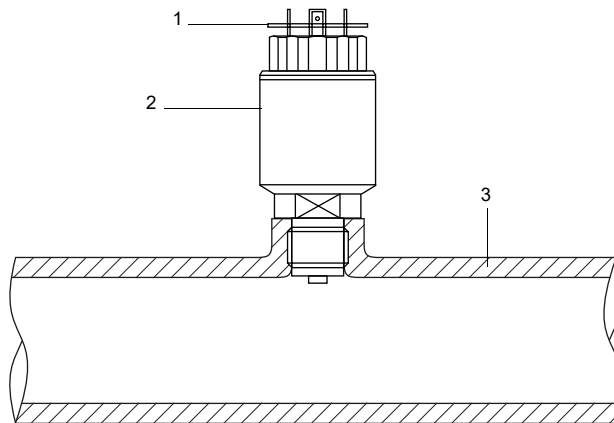
- Loosen the connector screw.
- Remove the connector from the pressure transmitter. The flat gasket remains on the pins of the pressure transmitter.
- Install the pressure transmitter (see the documentation provided by the manufacturer).

Fig. 6.74: Removal of the connector



- 1 – pressure transmitter
- 2 – pins
- 3 – connector
- 4 – screw
- 5 – flat gasket

Fig. 6.75: Installed pressure transmitter



- 1 – flat gasket
- 2 – pressure transmitter
- 3 – pipe

7 Connection

Danger!



Risk of explosion when using the measuring equipment in explosive atmospheres

This may result in personal or material damage or dangerous situations.

→ Observe the "Safety instructions for the use in explosive atmospheres".

Warning!



Installation, connection and start-up by unauthorized and unqualified personnel

This may result in personal or material damage or dangerous situations.

→ Any work on the transmitter has to be carried out by authorized and qualified personnel.

Warning!



Touching live parts

Electric shock or arc faults can lead to severe injuries. The measuring equipment can be damaged.

→ Prior to any work on the transmitter (e.g., installation, dismantling, connection, start-up), the transmitter has to be disconnected from the power supply. It is not sufficient to remove the internal fuse of the instrument.

Caution!



Safety and accident prevention regulations for electrical systems and equipment

Failure to observe these regulations may lead to severe injuries.

→ Observe the safety and accident prevention regulations for electrical systems and equipment.

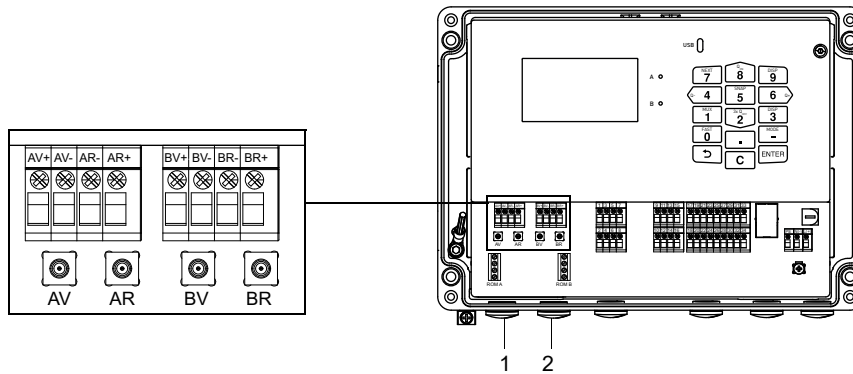
7.1 Transducers

It is recommended to run the cables from the measuring point to the transmitter before connecting the transducers to avoid load on the connectors.

Notice!

If transducers are replaced or added, the SENSPROM has to be replaced or added as well.

Fig. 7.1: Connection of the transducers to the transmitter



- 1 – transducers (measuring channel A)
- 2 – transducers (measuring channel B)

7.1.1 Connection of the transducer cable to the transmitter

Important!

The degree of protection of the transmitter is only ensured if all cables are tightly fitted using cable glands and the housing is firmly screwed.

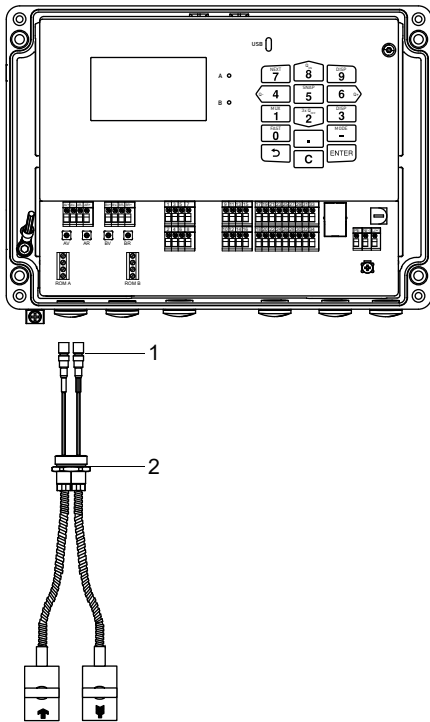
7.1.1.1 Transducer cable with SMB connectors

- Remove the blind plug for the connection of the transducer cable.
- Insert the transducer cable with the SMB connectors into the housing.
- Fix the transducer cable by tightening the cable gland.
- Connect the SMB connectors to the sockets of the transmitter.

Tab. 7.1: Terminal assignment

terminal	connection
xV	SMB connector (brown cable, marked white)
xR	SMB connector (brown cable, marked black)

Fig. 7.2: Connection of the transducer cable with SMB connectors to the transmitter



- 1 – SMB connector
- 2 – cable gland

7.1.1.2 Transducer cable with plastic jacket and stripped ends

- Remove the blind plug for the connection of the transducer cable.
- Open the cable gland of the transducer cable. The compression part remains in the cap nut.
- Push the transducer cable through the cap nut and the compression part.
- Prepare the transducer cable.
- Cut the external shield to length and brush it back over the compression part.
- Screw the sealing ring side of the basic part into the transmitter housing.
- Insert the transducer cable into the housing.

Notice!

For good electromagnetic compatibility (EMC), it is important to ensure good electrical contact between the external shield and the cap nut (and thus the housing).

- Fix the cable gland by screwing the cap nut onto the basic part.
- Connect the transducer cable to the terminals of the transmitter.

Tab. 7.2: Terminal assignment





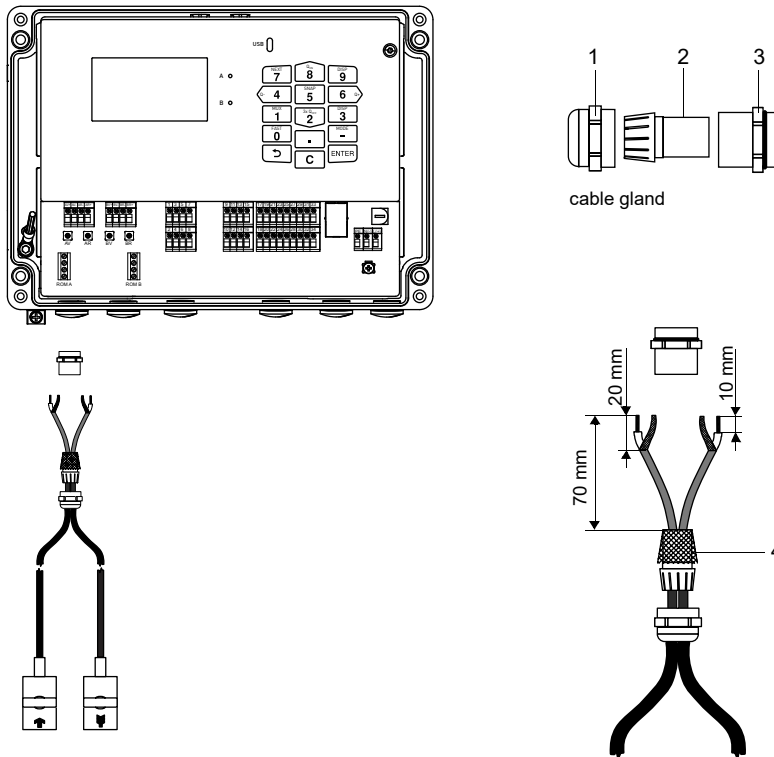
terminal	connection
xV+ or xV	transducer  (core)
xV- or xVS	transducer  (internal shield)
xR- or xRS	transducer  (internal shield)
xR+ or xR	transducer  (core)

Fig. 7.3: Connection of the transducer cable with plastic jacket and stripped ends to the transmitter



- 1 – cap nut
- 2 – compression part
- 3 – basic part
- 4 – external shield, brushed back

7.1.1.3 Transducer cable with stainless steel conduit and stripped ends

- Remove the blind plug for the connection of the transducer cable.
- Insert the transducer cable into the housing.
- Fix the transducer cable by tightening the cable gland.
- Connect the transducer cable to the terminals of the transmitter.

Tab. 7.3: Terminal assignment





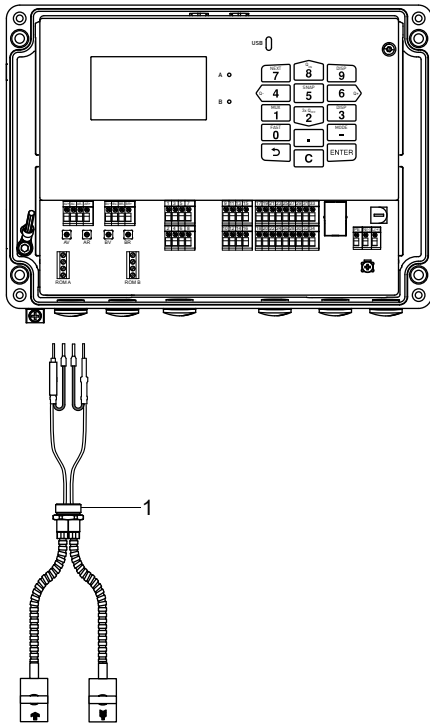
terminal	connection
xV+ or xV	transducer  (brown cable, marked white)
xV- or xVS	transducer  (red cable)
xR- or xRS	transducer  (red cable)
xR+ or xR	transducer  (brown cable)

Fig. 7.4: Connection of the transducer cable with stainless steel conduit and stripped ends to the transmitter



1 – cable gland

7.1.2 Connection of the extension cable to the transmitter

The extension cable is connected to the transmitter via the transducer connection.

- Remove the blind plug for the connection of the transducer cable.
- Open the cable gland of the extension cable. The compression part remains in the cap nut.
- Push the extension cable through the cap nut and the compression part.
- Prepare the extension cable.
- Cut the external shield to length and brush it back over the compression part.
- Screw the sealing ring side of the basic part into the transmitter housing.
- Insert the extension cable into the housing.

Notice!

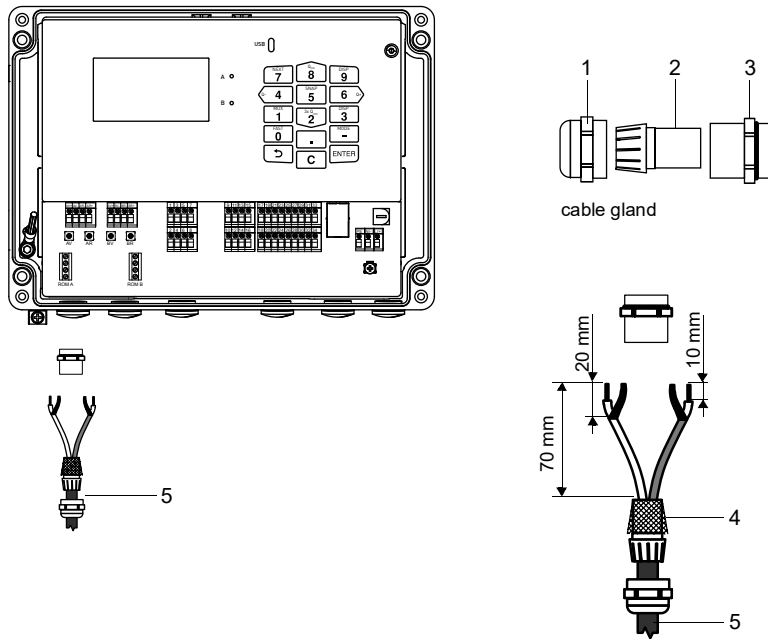
For good electromagnetic compatibility (EMC), it is important to ensure good electrical contact between the external shield and the cap nut (and thus the housing).

- Fix the cable gland by screwing the cap nut onto the basic part.
- Connect the extension cable to the terminals of the transmitter.

Tab. 7.4: Terminal assignment

terminal	connection
xV+ or xV	white or marked cable (core)
xV- or xVS	white or marked cable (internal shield)
xR- or xRS	brown cable (internal shield)
xR+ or xR	brown cable (core)

Fig. 7.5: Connection of the extension cable to the transmitter



- 1 – cap nut
- 2 – compression part
- 3 – basic part
- 4 – external shield, brushed back
- 5 – extension cable

7.1.3 Connection of the transducer cable to the junction box

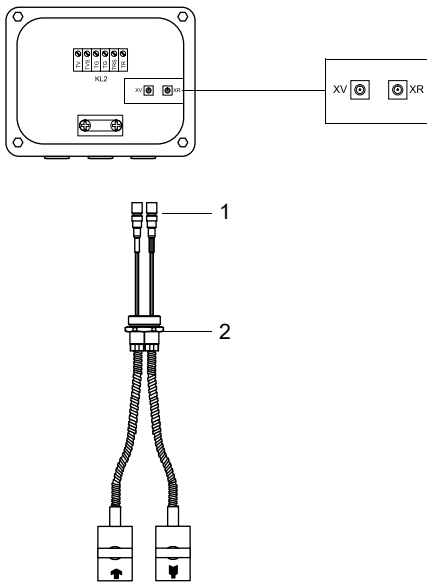
7.1.3.1 Transducer cable with SMB connectors

- Remove the blind plug for the connection of the transducer cable.
- Insert the transducer cable with the SMB connectors into the junction box.
- Fix the transducer cable by tightening the cable gland.
- Connect the SMB connectors to the sockets of the junction box.

Tab. 7.5: Terminal assignment

terminal	connection
XV	SMB connector (brown cable, marked white)
XR	SMB connector (brown cable, marked black)

Fig. 7.6: Connection of the transducer cable with SMB connectors



- 1 – SMB connector
- 2 – cable gland

7.1.3.2 Transducer cable with plastic jacket and stripped ends

- Remove the blind plug for the connection of the transducer cable.
- Open the cable gland of the transducer cable. The compression part remains in the cap nut.
- Push the transducer cable through the cap nut and the compression part.
- Prepare the transducer cable.
- Shorten the external shield and brush it back over the compression part.
- Screw the gasket ring side of the basic part into the junction box.
- Insert the transducer cable into the junction box.

Notice!

For good electromagnetic compatibility (EMC), it is important to ensure good electrical contact between the external shield and the cap nut (and thus the housing).

- Fix the cable gland by screwing the cap nut onto the basic part.
- Connect the transducer cable to the terminals of the junction box.

Tab. 7.6: Terminal assignment





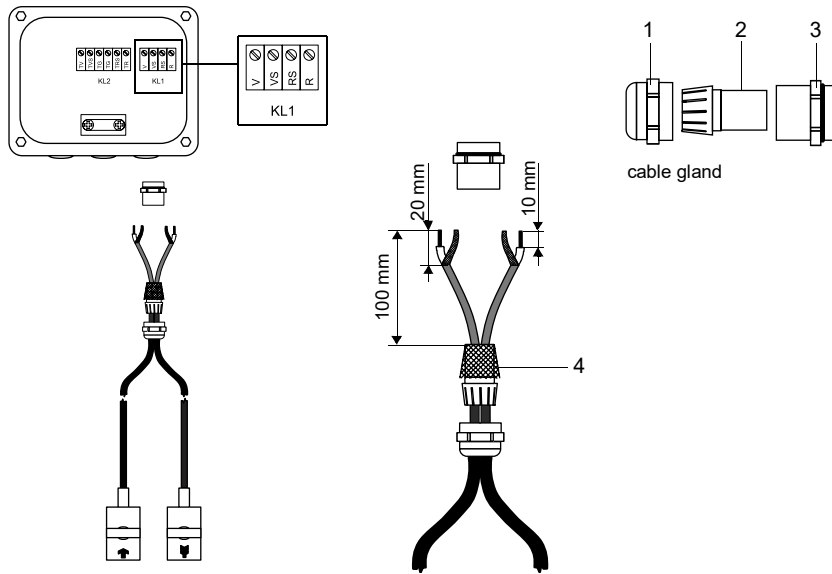
terminal	connection
V	transducer  (core)
VS	transducer  (internal shield)
RS	transducer  (internal shield)
R	transducer  (core)

Fig. 7.7: Connection of the transducer cable with plastic jacket and stripped ends



- 1 – cap nut
- 2 – compression part
- 3 – basic part
- 4 – external shield, brushed back

7.1.3.3 Transducer cable with stainless steel conduit and stripped ends

- Remove the blind plug for the connection of the transducer cable.
- Insert the transducer cable into the junction box.
- Fix the transducer cable by tightening the cable gland.
- Connect the transducer cable to the terminals of the junction box.

Tab. 7.7: Terminal assignment




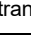
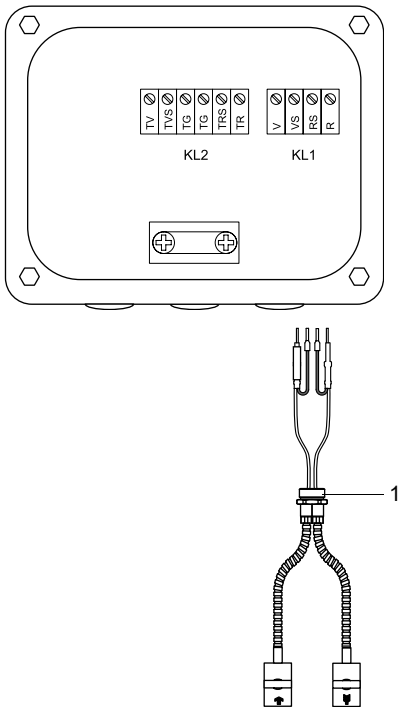
terminal	connection
V	transducer  (brown cable, marked white)
VS	transducer  (red cable)
RS	transducer  (red cable)
R	transducer  (brown cable)

Fig. 7.8: Connection of the transducer cable with stainless steel conduit and stripped ends



1 – cable gland

7.1.4 Connection of the extension cable to the junction box

7.1.4.1 Connection without potential separation (standard)

The connection of the extension cable to the junction box without potential separation ensures that the transducer, junction box and transmitter are on the same potential. The extension cable should always be connected in this manner, especially if power current cables are nearby. If earthing on the same potential cannot be ensured, see section 7.1.4.2.

- Remove the blind plug for the connection of the extension cable.
- Open the cable gland of the extension cable. The compression part remains in the cap nut.
- Push the extension cable through the cap nut and the compression part.
- Prepare the extension cable.
- Shorten the external shield and brush it back over the compression part.
- Screw the gasket ring side of the basic part into the junction box.
- Insert the extension cable into the junction box.

Notice!

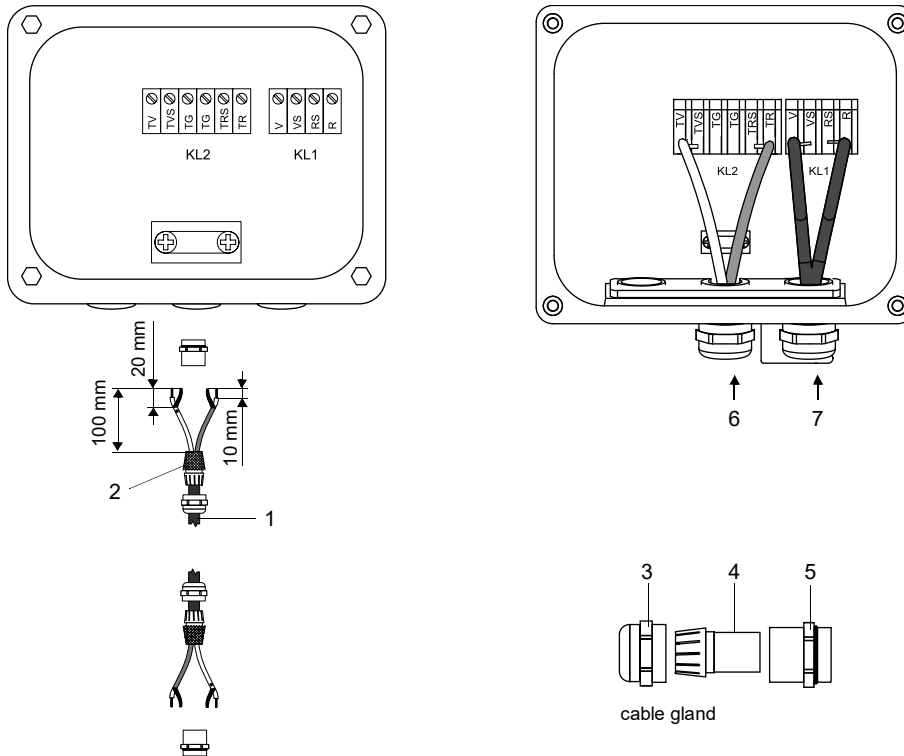
For good electromagnetic compatibility (EMC), it is important to ensure good electrical contact between the external shield and the cap nut (and thus the housing).

- Fix the cable gland by screwing the cap nut onto the basic part.
- Connect the extension cable to the terminals of the junction box.

Tab. 7.8: Terminal assignment

terminal	connection (extension cable)
TV	white or marked cable (core)
TVS	white or marked cable (internal shield)
TRS	brown cable (internal shield)
TR	brown cable (core)
cable gland	external shield

Fig. 7.9: Connection of the extension cable to the junction box (without potential separation)



- 1 – extension cable
- 2 – external shield, brushed back
- 3 – cap nut
- 4 – compression part
- 5 – basic part
- 6 – connection of the extension cable
- 7 – connection of the transducer cable

7.1.4.2 Connection with potential separation

If earthing on the same potential cannot be ensured, e.g., in measurement arrangements with long extension cables, the extension cable and the junction box have to be electrically insulated from each other. The junction box and the transducers have to be on the same potential. Thus, no compensation currents can flow to the transmitter via the extension cable.

For measurement arrangements where the junction box and the transducers have to be electrically insulated from each other see the document TIFLUXUS_GalvSep.

- Remove the blind plug for the connection of the extension cable.
- Open the cable gland of the extension cable. The compression part remains in the cap nut.
- Push the extension cable through the cap nut, the compression part and the basic part.
- Insert the extension cable into the junction box.
- Prepare the extension cable.
- Cut the external shield and brush it back.
- Pull the extension cable back until the brushed-back external shield is below the shield terminal. The extension cable has to remain completely insulated up to the shield terminal.
- Screw the gasket ring side of the basic part into the junction box.
- Fix the cable gland by screwing the cap nut onto the basic part.

Important!
Observe the max. permissible voltage of 60 V DC between the earth potentials.

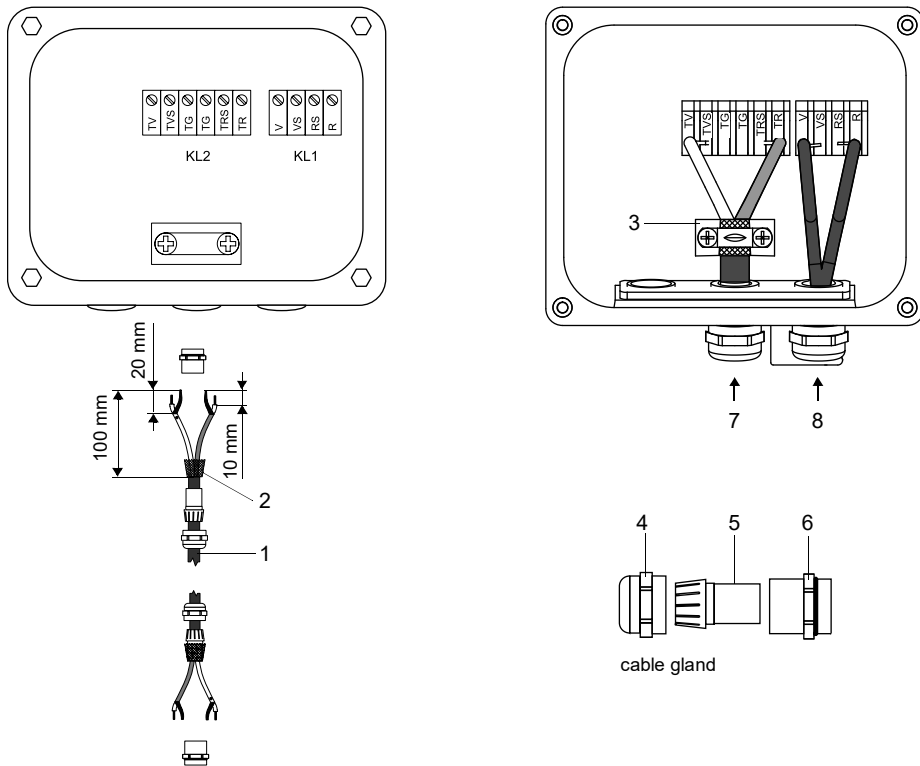
Important!
The external shield of the extension cable must not have electrical contact to the junction box. Therefore, the extension cable has to remain completely insulated up to the shield terminal.

- Fix the extension cable and the external shield to the shield terminal.
- Connect the extension cable to the terminals of the junction box.

Tab. 7.9: Terminal assignment

terminal	connection (extension cable)
TV	white or marked cable (core)
TVS	white or marked cable (internal shield)
TRS	brown cable (internal shield)
TR	brown cable (core)
shield terminal	external shield

Fig. 7.10: Connection of the extension cable to the junction box (with potential separation)



- 1 – extension cable
- 2 – external shield
- 3 – shield terminal
- 4 – cap nut
- 5 – compression part
- 6 – basic part
- 7 – connection of the extension cable
- 8 – connection of the transducer cable

7.1.5 SENSPROM

The SENSPROM contains important transducer data for the operation of the transmitter with the transducers. If transducers are replaced or added, the SENSPROM has to be replaced or added as well.

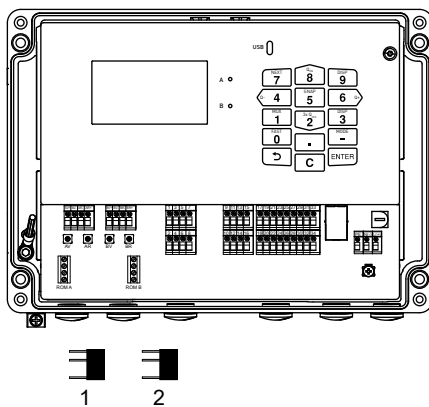
Notice!

The serial numbers of the SENSPROM and the transducer have to be identical. A wrong or wrongly connected SENSPROM will lead to incorrect measured values or to a measurement failure.

The SENSPROM is connected to the terminals of the transmitter.

- Disconnect the transmitter from the power supply.
- Connect each SENSPROM to the corresponding terminal of the transmitter.
- Connect the transmitter to the power supply.
- Enter all parameters of the menu *Parameters*.
- Start the measurement.

Fig. 7.11: SENSPROM



- 1 – SENSPROM A
- 2 – SENSPROM B

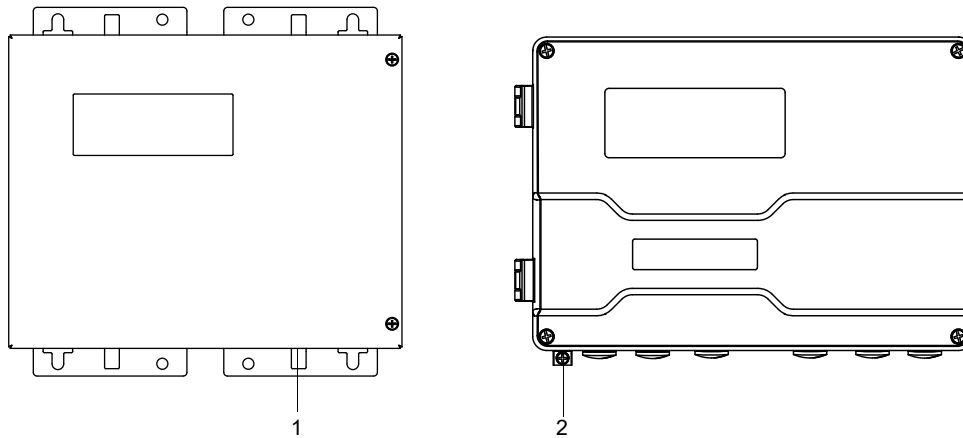
7.2 Power supply

The installation of the power supply is carried out by the operator. The operator has to provide an overcurrent protector of max. 16 A (fuse or similar device) disconnecting all energizing wires in case of an inadmissible high current consumption. The impedance of the protective ground has to be low ohmic in order not to allow touch voltage pass the permissible limit. The equipotential bonding terminal serves as functional ground of the transmitter.

Important!

The degree of protection of the transmitter will only be guaranteed if the power cable fits firmly and tightly in the cable gland.

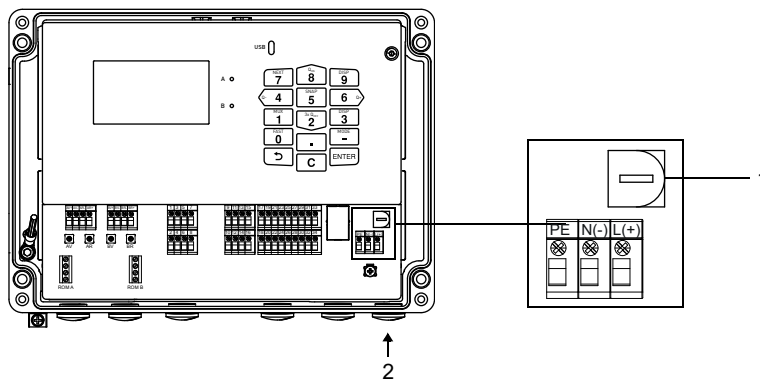
Fig. 7.12: Equipotential bonding terminal on the transmitter



- 1 – equipotential bonding terminal on stainless steel housing
- 2 – equipotential bonding terminal on aluminum housing

• Connect the power cable to the transmitter (see section 7.2.1, Fig. 7.13 and Tab. 7.10).

Fig. 7.13: Connection of the power supply to the transmitter



- 1 – fuse
- 2 – connection of the power supply

Tab. 7.10: Terminal assignment

terminal	connection AC	connection DC
L(+)	outer conductor	DC
N(-)	neutral conductor	GND
PE	protective conductor	protective conductor
fuse (IEC 60127-2/3)	T 1.6 A L 250 V, 5 x 20 mm	T 1.6 A L 250 V, 5 x 20 mm

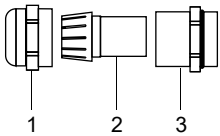
7.2.1 Cable connection

- Remove the blind plug to connect the cable to the transmitter.
- Prepare the cable with a cable gland.

The used cable has to have a wire cross-section of 0.25...2.5 mm².

- Push the cable through the cap nut, compression part and basic part of the cable gland.
- Insert the cable into the housing of the transmitter.
- Screw the sealing ring side of the basic part into the transmitter housing.
- Fix the cable gland by screwing the cap nut onto the basic part.
- Connect the cable to the terminals of the transmitter.

Fig. 7.14: Cable gland for aluminum housing



- 1 – cap nut
- 2 – compression part
- 3 – basic part

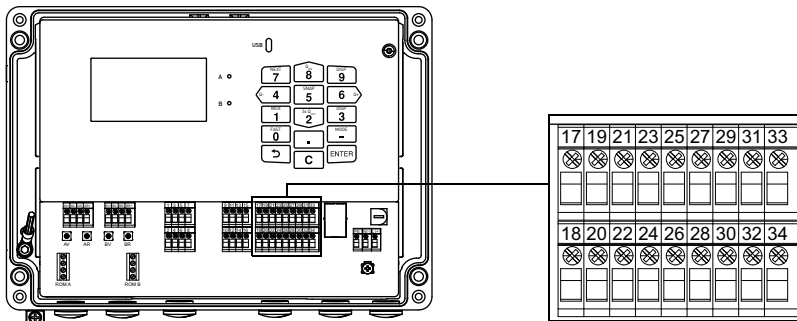
7.3 Outputs

Important!

The max. permissible voltage between the outputs and against PE is 60 V DC (permanent).

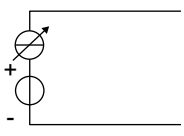
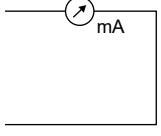
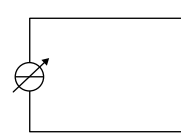
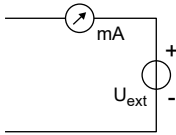
- Connect the output cable to the transmitter (see section 7.2.1, Fig. 7.15 and section 7.3.1).

Fig. 7.15: Connection of the outputs to the transmitter

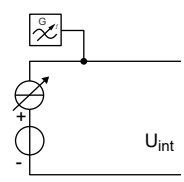
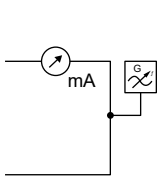
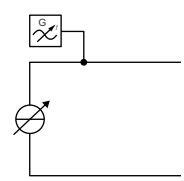
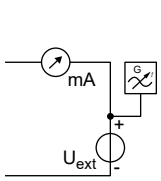


7.3.1 Output circuits

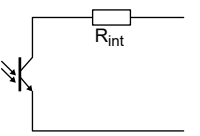
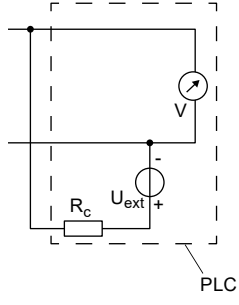
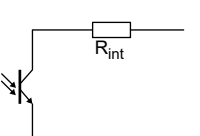
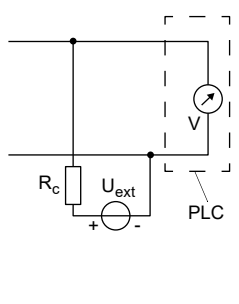
Tab. 7.11: Switchable current output Ix

transmitter		external circuit	remark
internal circuit	connection		
active			
	x+ x-		$R_{ext} = 250...530 \Omega$ $U_{opencircuit} = 28 \text{ V DC}$ adjustable fault current (no valid measured value, no measurement): 3.2...3.99 mA, 20.01...24 mA hardware fault current: 3.2 mA
passive			
	x+ x-		$U_{ext} = 9...30 \text{ V DC}$, dependent on R_{ext} ($R_{ext} < 458 \Omega$ with 20 V) adjustable fault current (no valid measured value, no measurement): 3.2...3.99 mA, 20.01...24 mA hardware fault current: 3.2 mA

Tab. 7.12: Switchable current output Ix/HART

transmitter		external circuit	remark
internal circuit	connection		
active			
	x+ x-		$R_{ext} = 250...530 \Omega$ $U_{opencircuit} = 28 \text{ V DC}$ adjustable fault current (no valid measured value, no measurement): 3.5...3.99 mA, 20.01...22 mA hardware fault current: 3.2 mA
passive			
	x+ x-		$U_{ext} = 9...30 \text{ V DC}$, dependent on R_{ext} ($R_{ext} = 250...458 \Omega$ with 20 V) adjustable fault current (no valid measured value, no measurement): 3.5...3.99 mA, 20.01...22 mA hardware fault current: 3.2 mA

Tab. 7.13: Digital output

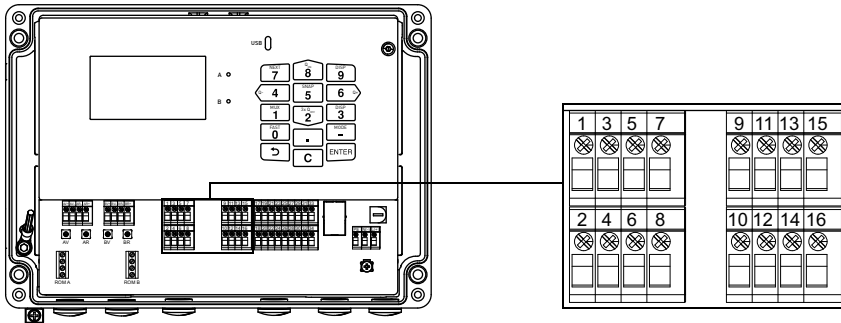
transmitter		external circuit	remark
internal circuit	connection		
circuit 1			
	<p>x+</p> <p>x-</p>		<p>OC30V according to IEC 60947-5-6 (NAMUR)</p> <ul style="list-style-type: none"> • 5...30 V • $I_{max} = 20 \text{ mA}$ $R_{int} = 1020 \Omega$ $R_{ext} = U_{ext}/I - R_{int}$ mit $I \leq I_{max}$ • open circuit: $I_{OL} = 400 \dots 800 \mu\text{A}$ • wire break: $I_{LBD} < 400 \mu\text{A}$ • closed circuit: $I_{CL} = U_{ext}/(R_{int} + R_{ext})$ • short circuit: $I_{LSD} > I_{CL} + 5 \%$ of I_{CL} • $f = 0.002 \dots 10 \text{ kHz}$ • $T_p = 0.05 \dots 1000 \text{ ms}$
circuit 2			
	<p>x+</p> <p>x-</p>		<p>OC30V/100mA</p> <ul style="list-style-type: none"> • 5...30 V • $I_{max} = 100 \text{ mA}$ $R_{int} = 20 \Omega$ $R_{ext} = U_{ext}/I - R_{int}$ mit $I \leq I_{max}$ • open circuit: $I_{OL} = 400 \dots 800 \mu\text{A}$ • wire break: $I_{LBD} < 400 \mu\text{A}$ • closed circuit: $I_{CL} = U_{ext}/(R_{int} + R_{ext})$ • short circuit: $I_{LSD} > I_{CL} + 5 \%$ of I_{CL} • $f = 0.002 \dots 10 \text{ kHz}$ • $T_p = 0.05 \dots 1000 \text{ ms}$

For all circuits apply:

- R_{ext} is the sum of all ohmic resistances in the circuit (e.g., resistance of the conductors, resistance of the ammeter/voltmeter).
- The number, type and connections of the outputs depend on the order.
- The terminal assignment is displayed on the transmitter during configuration of the outputs.

7.4 Inputs

Fig. 7.16: Connection of the inputs to the transmitter



7.4.1 Circuits of the inputs

Important!
Observe the correct polarity in order to avoid damaging the current source. A permanent short circuit can destroy the current input.

For the connection of the input cable to the transmitter, see section 7.2.1 and Fig. 7.16.

Tab. 7.14: Switchable current input I_x

transmitter		external circuit	remark
internal circuit	connection		
active			
	x+ x-		$R_{int} = 75 \Omega$ $I_{max} \leq 30 \text{ mA}$ $I = 0 \dots 20 \text{ mA}$ (measuring range) $U_{opencircuit} = 28 \text{ V}$ $U_{min} = 21.4 \text{ V}$ with 20 mA The current input is galvanically isolated from the transmitter.
passive			
	x- x+		$R_{int} = 35 \Omega$ $U_{max} = 24 \text{ V}$ $I_{max} \leq 24 \text{ mA}$ $I = 0 \dots 20 \text{ mA}$ (measuring range) The current input is galvanically isolated from the transmitter.

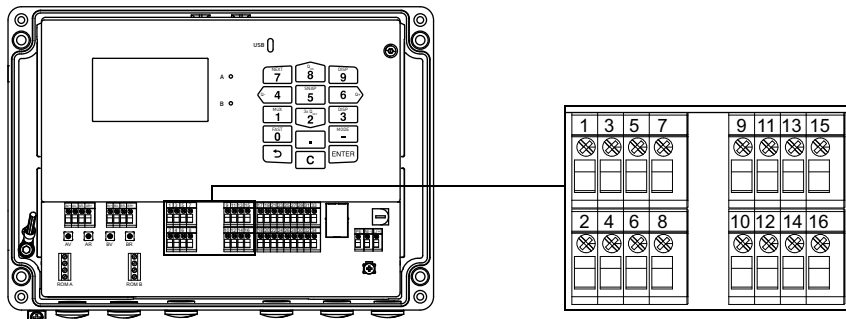
For all circuits apply:

- The number, type and connections of the inputs depend on the order.
- The terminal assignment is displayed on the transmitter during the configuration of the inputs.

7.5 Temperature probe

It is possible to connect the temperature probes Pt100/Pt1000 (4-wire) to the inputs of the transmitter (optional).

Fig. 7.17: Connection of the temperature probes to the transmitter



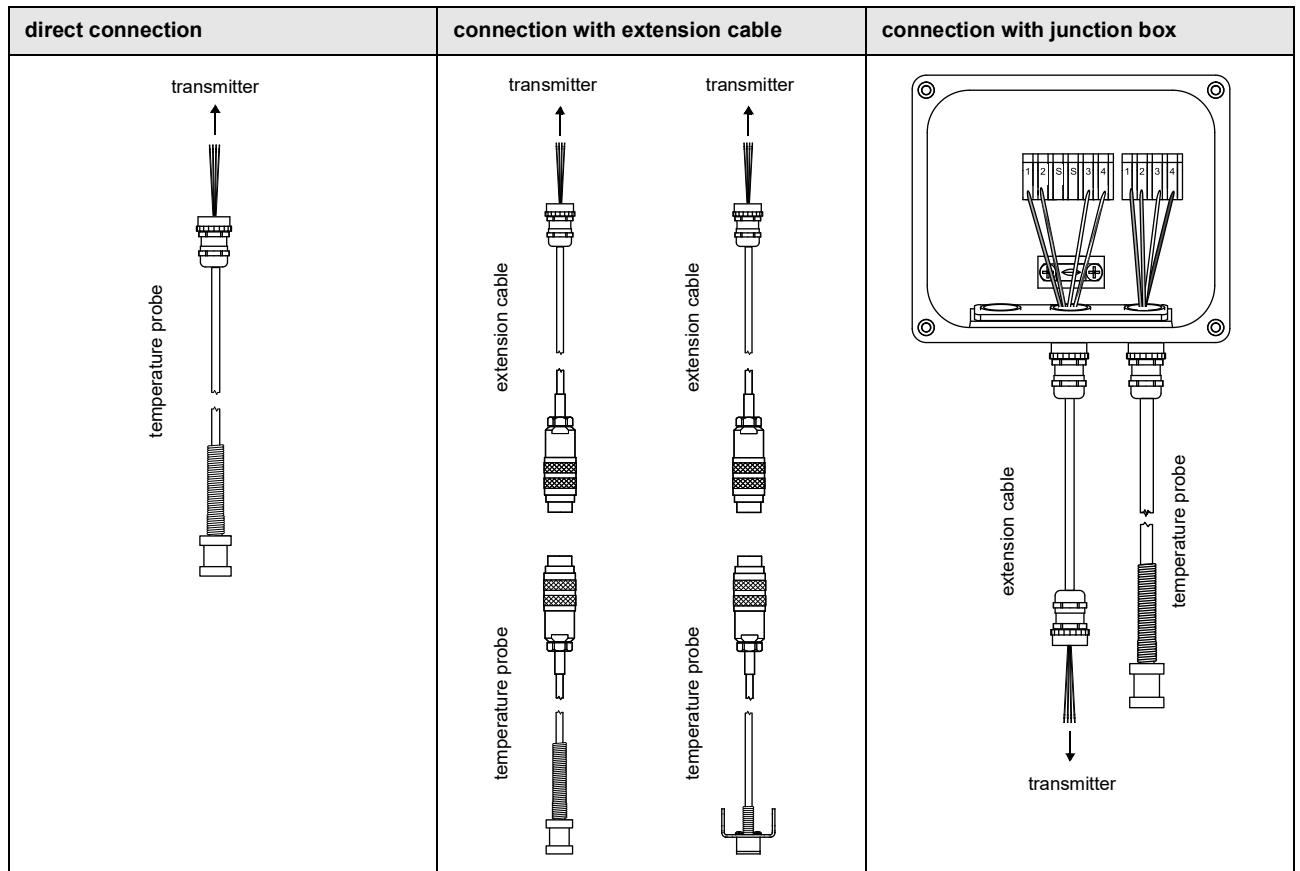
7.5.1 Circuit of the temperature inputs

Tab. 7.15: Temperature input – not intrinsically safe

transmitter		external circuit	explanation
internal circuit	connection		
	a a b b		Pt100/Pt1000 (4-wire) The input is galvanically isolated from the transmitter.

- The number, type and connections of the inputs depend on the order.
- The terminal assignment is displayed on the transmitter during the configuration of the inputs.

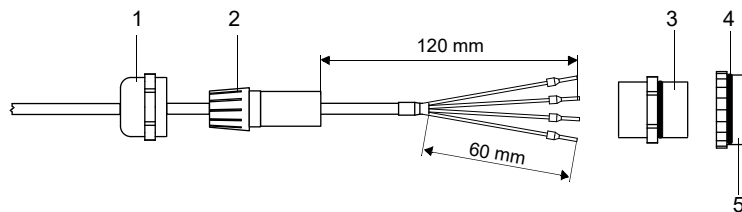
Tab. 7.16: Connection systems



7.5.2 Direct connection of the temperature probe

- Remove the blind plug for the connection of the temperature probe.
- Open the cable gland of the temperature probe. The compression part remains in the cap nut.
- Push the cable of the temperature probe through the cap nut, the compression part, the basic part and the reducer.
- Prepare the cable.
- Insert the cable into the housing.
- Screw the sealing ring side of the reducer into the transmitter housing.
- Screw the basic part into the reducer.
- Fix the cable gland by screwing the cap nut onto the basic part.
- Connect the temperature probe to the terminals of the transmitter.

Fig. 7.18: Preparation of the temperature probe



- 1 – cap nut
- 2 – compression part
- 3 – basic part
- 4 – reducer
- 5 – sealing ring side

7.5.3 Connection with extension cable

Connection of the extension cable to the transmitter

- Remove the blind plug for the connection of the temperature probe.
- Open the cable gland of the extension cable. The compression part remains in the cap nut.
- Push the extension cable through the cap nut, the compression part, the basic part and the reducer.
- Prepare the extension cable.
- Cut the external shield to length and brush it back over the compression part.
- Insert the extension cable into the housing.
- Screw the sealing ring side of the reducer into the transmitter housing.
- Screw the basic part into the reducer.
- Fix the cable gland by screwing the cap nut onto the basic part.
- Connect the extension cable to the terminals of the transmitter.

Tab. 7.17: Terminal assignment (transmitter)

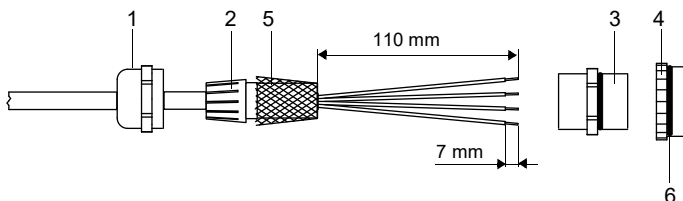
terminal	extension cable
a	red
a	gray
b	blue
b	white

The terminal assignment is displayed on the transmitter during the configuration of the inputs.

Connection of the extension cable to the junction box

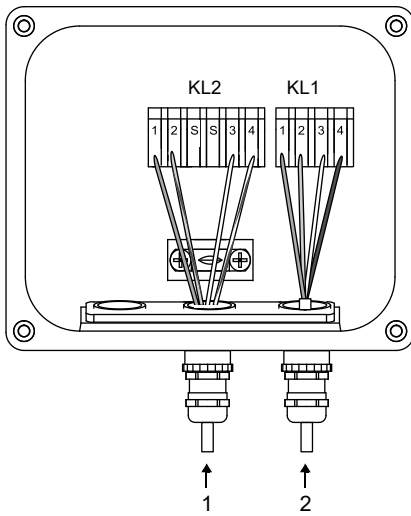
- Remove the blind plug for the connection of the extension cable.
- Open the cable gland of the extension cable. The compression part remains in the cap nut.
- Push the extension cable through the cap nut and the compression part.
- Prepare the extension cable.
- Cut the external shield to length and brush it back over the compression part.
- Screw the sealing ring side of the reducer into the junction box.
- Screw the basic part into the reducer.
- Insert the extension cable into the junction box.
- Fix the cable gland by screwing the cap nut onto the basic part.
- Connect the extension cable to the terminals of the junction box.

Fig. 7.19: Preparation of the extension cable



- 1 – cap nut
- 2 – compression part
- 3 – basic part
- 4 – reducer
- 5 – external shield, brushed back
- 6 – sealing ring side

Fig. 7.20: Junction box



- 1 – connection of the extension cable
- 2 – connection of the temperature probe

Connection of the temperature probe to the junction box

- Remove the blind plug for the connection of the temperature probe.
- Open the cable gland of the temperature probe. The compression part remains in the cap nut.
- Push the cable of the temperature probe through the cap nut and the compression part.
- Prepare the cable.
- Cut the external shield to length and brush it back over the compression part.
- Screw the sealing ring side of the reducer into the junction box.
- Screw the basic part into the reducer.
- Insert the cable into the junction box.
- Fix the cable gland by screwing the cap nut onto the basic part.
- Connect the temperature probe to the terminals of the junction box.

Tab. 7.18: Terminal assignment (junction box)

terminal	extension cable (KL2)	temperature probe (KL1)
1	red	
3	gray	
4	blue	
2	white	

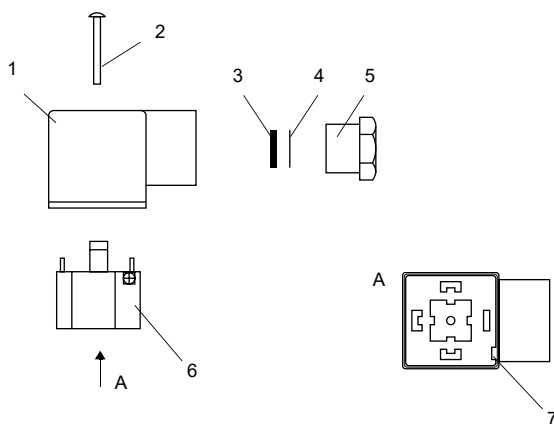
7.6 Pressure transmitter

7.6.1 Disassembly of the connector

Before connecting the cable, the connector has to be disassembled.

- Remove the screw, if necessary.
- Turn the tensioning screw out of the connector housing.
- Remove the sealing ring and washer.
- Use a lever tool to remove the terminal block.
- Insert the lever tool into the slot of the terminal block.
- Press the lever tool against the connector housing.
- Remove the terminal block from the connector housing.

Fig. 7.21: Disassembled connector

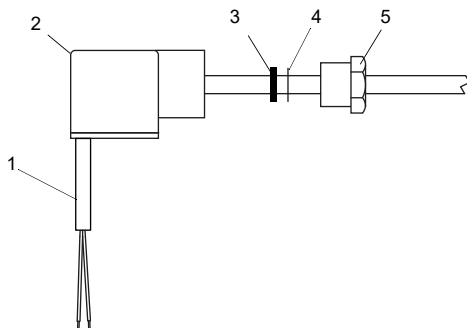


- 1 – connector housing
- 2 – screw
- 3 – sealing ring
- 4 – washer
- 5 – tensioning screw
- 6 – terminal block
- 7 – slot of the terminal block

7.6.2 Connection to the connector

- Push the cable through the tensioning screw, washer, sealing ring and connector housing.

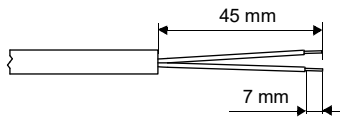
Fig. 7.22: Mounting of the cable



- 1 – cable
- 2 – connector housing
- 3 – sealing ring
- 4 – washer
- 5 – tensioning screw

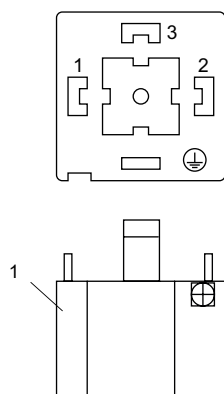
- Prepare the cable, if necessary.
- Cut off the external shield so that it is flush with the cable jacket.

Fig. 7.23: Preparation of the cable




- Connect the cable to the terminals of the terminal block.
- Use wire end ferrules, if possible.

Fig. 7.24: Terminal assignment (connector)



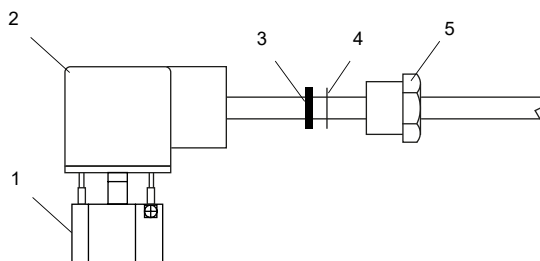
1 – terminal block

Tab. 7.19: Terminal assignment (connector)

terminal	cable labeling
1	1
2	2
3	not connected
	not connected

- Press the terminal block, sealing ring and washer into the connector housing.
- Turn the tensioning screw firmly into the connector housing.

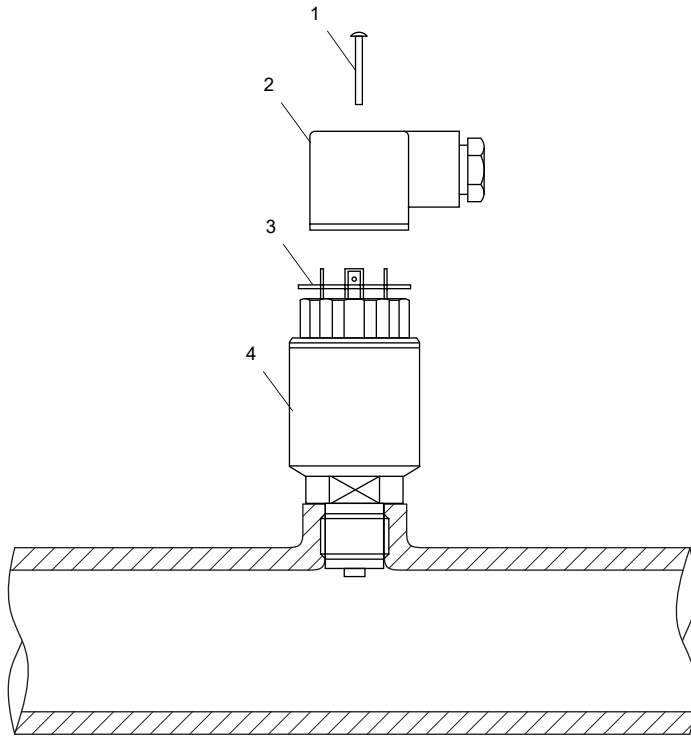
Fig. 7.25: Mounting of the connector and cable



- 1 – terminal block
- 2 – connector housing
- 3 – sealing ring
- 4 – washer
- 5 – tensioning screw

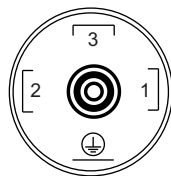
- Put the connector onto the pressure transmitter. The flat gasket has to be between the connector and the pressure transmitter. Observe the orientation of the pins.
- Tighten the screw of the connector housing.

Fig. 7.26: Fixation of the connector



- 1 – screw
- 2 – connector
- 3 – flat gasket
- 4 – pressure transmitter

Fig. 7.27: Pins of the pressure transmitter



7.6.3 Connection to the transmitter

- Remove the blind plug to connect the cable.
- Open the cable gland. The compression part remains in the cap nut.
- Push the cable through the cap nut and the compression part.
- Prepare the cable, if necessary.
- Shorten the external shield and brush it back over the compression part.
- Screw the sealing ring side of the reducer into the transmitter housing.
- Screw the basic part into the reducer.
- Insert the cable into the housing.
- Fix the cable gland by screwing the cap nut onto the basic part.

Notice!

For good electromagnetic compatibility (EMC), it is important to ensure good electrical contact between the external shield and the cap nut (and thus the housing).

- Connect the cable to the terminals of the transmitter.
- Use wire end ferrules, if possible.

Fig. 7.28: Connection of the inputs to the transmitter

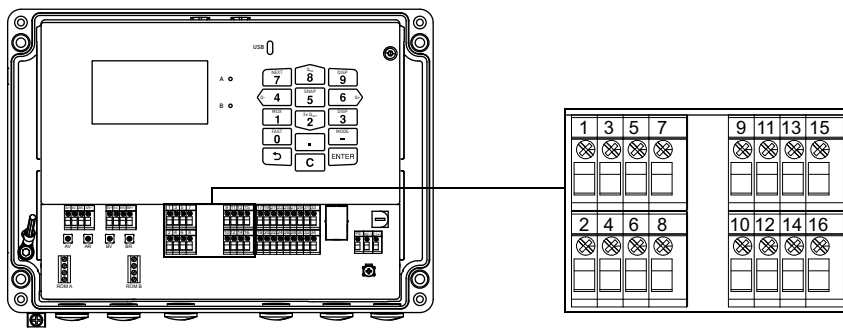
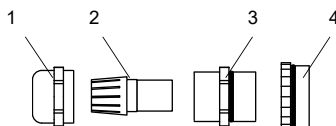
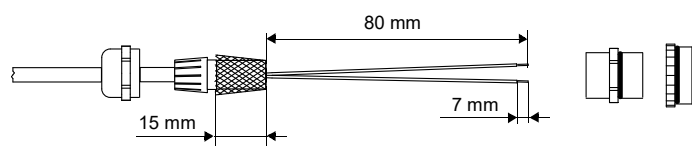


Fig. 7.29: Cable gland



- 1 – cap nut
- 2 – compression part
- 3 – basic part
- 4 – reducer

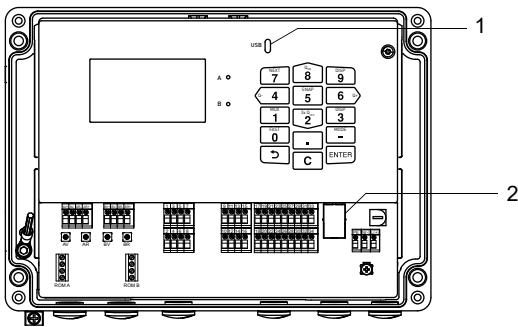
Fig. 7.30: Prepared cable



The terminal assignment is displayed on the transmitter during the configuration of the inputs.

7.7 Service interfaces

Fig. 7.31: Service interfaces on the transmitter



- 1 – USB interface
- 2 – LAN interface

7.7.1 USB interface

The transmitter can be connected directly to the PC via the USB interface.

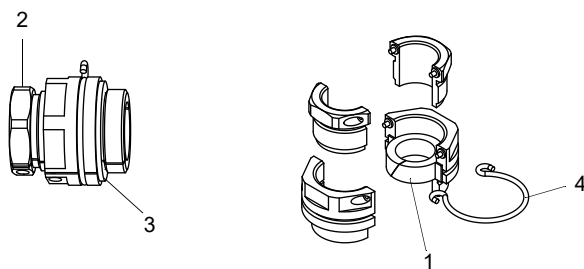
- Connect the USB cable to the USB interface of the transmitter and to the PC.

7.7.2 LAN interface

The transmitter can be connected to the PC or LAN via the LAN cable.

transmitter with stainless steel housing	transmitter with aluminum housing
<ul style="list-style-type: none"> • Remove the blind plug to connect the cable to the transmitter. • Slide the flat gasket ring onto the LAN cable. • Insert the cable into the transmitter housing. • Slide the blind plug nut onto the LAN cable. • Insert the connector into the LAN interface. • Mount the split cable gland on the LAN cable. • Slide the flat gasket ring onto the cable gland and fix it with the blind plug nut. 	<ul style="list-style-type: none"> • Remove the blind plug to connect the cable to the transmitter. • Slide the flat gasket ring onto the LAN cable. • Insert the cable into the transmitter housing. • Insert the connector into the LAN interface. • Mount the split cable gland on the LAN cable. • Slide the flat gasket ring onto the cable gland and screw it into the transmitter housing.

Fig. 7.32: Split cable gland



- 1 – split sealing ring
- 2 – split fitting
- 3 – flat gasket ring
- 4 – annular spring

8 Start-up

Danger!



Risk of explosion when using the measuring equipment in explosive atmospheres

This may result in personal or material damage or dangerous situations.

→ Observe the "Safety instructions for the use in explosive atmospheres".

Warning!



Installation, connection and start-up by unauthorized and unqualified personnel

This may result in personal or material damage or dangerous situations.

→ Any work on the transmitter has to be carried out by authorized and qualified personnel.

Caution!



Safety and accident prevention regulations for electrical systems and equipment

Failure to observe these regulations may lead to severe injuries.

→ Observe the safety and accident prevention regulations for electrical systems and equipment.

Caution!



Warning of severe injuries from hot or cold components

Touching hot or cold components can lead to severe injuries (e.g., thermal damage).

→ Any mounting, installation or connection work has to be concluded.

→ Any work on the measuring point during the measurement is prohibited.

→ Observe the ambient conditions at the measuring point during installation.

→ Wear the required personal protective equipment.

→ Observe the applicable rules.

Notice!

The transmitter and transducers have to be checked to ensure proper condition and operational safety before each use. The transmitter housing must always be closed during operation. Observe that maintenance work must be concluded.

8.1 Start-up settings

When starting up the transmitter for the first time, the following settings are required:

- language
- time/date
- system of units

These displays will only be indicated when the transmitter is switched on for the first time or after an initialization.

Language

The available transmitter languages are displayed.

- Select a language.
- Press ENTER.

The menus are displayed in the selected language.

Set time

The current time is displayed.

- Press ENTER to confirm the time or set the current time via the numeric field.
- Press ENTER.

Set date

The current date is displayed.

- Press ENTER to confirm the date or set the current date via the numeric field.
- Press ENTER.

System of units

- Select `Metric` or `Imperial`.
- Press ENTER.

Region of Canada

- Select `Yes` if the transmitter is to be used in the region of Canada.
- Press ENTER.

This display will only be indicated if `Imperial` is selected.

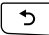
8.2 Switching on

As soon as the transmitter is connected to the power supply, the menu is displayed in the adjusted language. The language can be changed.

Notice!

The parameters cannot be changed during the measurement. The measurement has to be stopped in order to change the parameters.

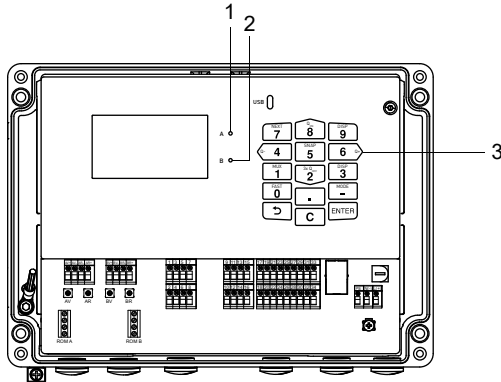
If the transmitter was switched off during the measurement, the message `Measurement started` will be displayed after connecting the transmitter to the power supply. The measurement continues with the parameters set last.

By pressing  it is possible either to stop the measurement or to display the current parameter settings.

8.3 Status indications

The operation state is indicated by LEDs.

Fig. 8.1: Command panel of the transmitter



- 1 – LED of measuring channel A
- 2 – LED of measuring channel B
- 3 – keyboard

Tab. 8.1: Operation state of the transmitter

LED of measuring channel A	lights if the transmitter is in measuring mode and measuring channel A is activated red – invalid measurement green – valid measurement
LED of measuring channel B	lights if the transmitter is in measuring mode and measuring channel B is activated red – invalid measurement green – valid measurement

8.4 Language

```
Miscellaneous\System settings\Language
```

The language of the transmitter can be selected:

- Select the menu item `Language`.
- Press ENTER.
- Select the desired language from the scroll list.
- Press ENTER.

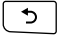
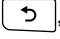
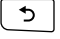
Afterwards the menu will be displayed in the selected language. The selected language remains activated when the transmitter is switched off and on again.

The language can also be changed by entering a HotCode.

8.5 Initialization

During an initialization (INIT) of the transmitter, all settings are reset to factory default.

Proceed as follows to execute an initialization:

- When switching on a transmitter: keep  and C pressed.
- During the operation of the transmitter: press , C and ENTER simultaneously. Release only ENTER. Keep  and C pressed.

During an initialization it is tested whether the key lock is activated. If so, it has to be deactivated.

- Enter the 6-digit key lock code.
- Press ENTER.

If a measurement is running, it will be stopped.

It will be asked whether the initial settings are to be carried out.

Initial settings

If Yes is selected, the following setting dialogs will be displayed:

- Language
- Date/time
- System of units
- Delete meas. values
- Delete snaps
- Delete user subst. (all customized materials and fluids which were stored after delivery will be deleted)
- Reset totalizers

The initialization can also be started with the HotCode **909000**.

8.6 Date and time

Miscellaneous\System settings>Date/time

The transmitter has a battery-powered clock. Measured values are automatically stored with date and time.

- Select the menu item `Date/time`.

The adjusted time is displayed.

- Enter the current time.
- Press ENTER.

The adjusted date is displayed.

- Enter the current date.
- Press ENTER.

8.7 Information regarding the transmitter

Miscellaneous\System settings\Transmitter info

- Select the menu item `Transmitter info`.
- Press ENTER.
- Press `2` or `8` to scroll through the list.
- Press `↩` to return to the menu item `System settings`.

The following information relating to the transmitter is displayed:

display	description
Serial number	serial number of the transmitter
Firmware version	version number of the installed firmware
Firmware date	creation date of the installed firmware
Production date	manufacturing date of the transmitter
Verification log	state of the verification logger

9 Measurement

Danger!



Risk of explosion when using the measuring equipment in explosive atmospheres

This may result in personal or material damage or dangerous situations.

→ Observe the "Safety instructions for the use in explosive atmospheres".

Caution!



Warning of severe injuries from hot or cold components

Touching hot or cold components can lead to severe injuries (e.g., thermal damage).

→ Any mounting, installation or connection work has to be concluded.

→ Any work on the measuring point during the measurement is prohibited.

→ Observe the ambient conditions at the measuring point during installation.

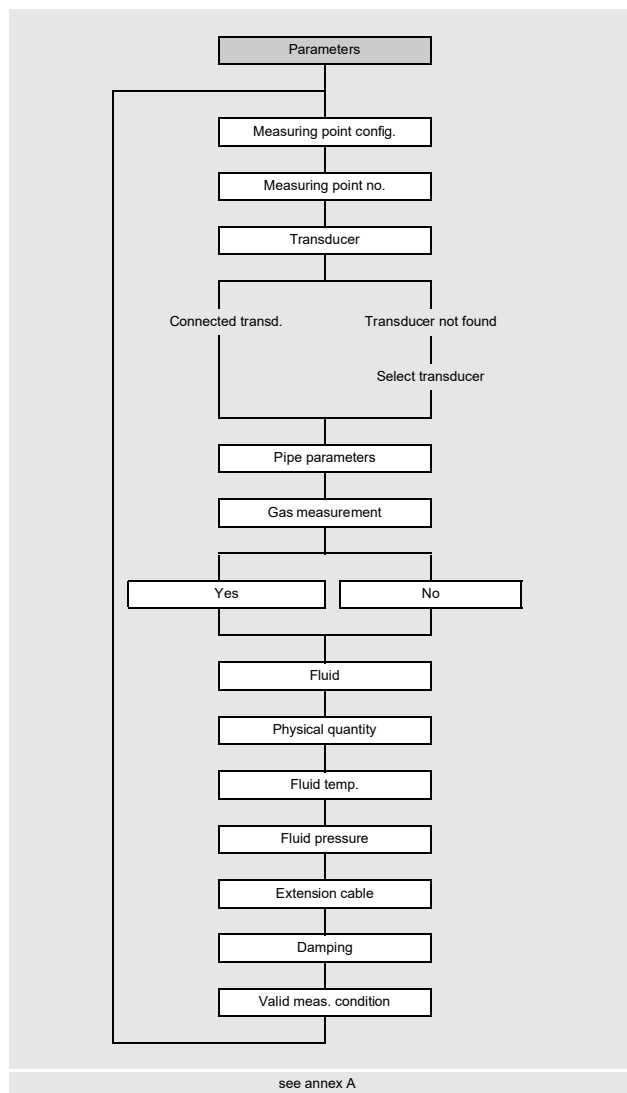
→ Wear the required personal protective equipment.

→ Observe the applicable rules.

9.1 Parameter input

Notice!

Avoid a simultaneous parameter entry via the keyboard and the USB, LAN or process interface. The parameter records received via these interfaces will overwrite the current transmitter parametrization.



The pipe and fluid parameters are entered for the selected measuring point. The parameter ranges are limited by the technical characteristics of the transducers and the transmitter.

- Select the menu `Parameters`.
- Press `ENTER`.

9.1.1 Measuring point configuration

```
Parameters\Measuring point config.\1 meas. point (AB)
```

- Select the configuration of the measuring point (here: 1 meas. point (AB)).
- Press ENTER.

The display will not be indicated if the transmitter has only one measuring channel.

Tab. 9.1: Measuring point configuration

1 measuring point (A)	1 measuring point (AB)	1 measuring point (A B)
The measurement is carried out using 1 measuring channel at 1 measuring point.	The measurement is carried out using 2 measuring channels at 1 measuring point.	The measurement is carried out using 2 measuring channels at 2 measuring points.

If 2 meas. points (A|B) is selected for the configuration of the measuring point, the parameters have to be entered for each measuring point.

```
Parameters\Measuring point config.\2 meas. points (A|B)\Select meas. point\A:
```

- Select a measuring point.
- Press ENTER.

If the synchronized channel averaging is activated in the menu item `Miscellaneous\Measurement\Measurement modes\Synch. chan. averag., 1 meas. point (AB)` has to be selected for the configuration of the measuring point.

9.1.2 Input of the measuring point number

```
Parameters\Measuring point no.
```

- Enter the number of the measuring point.
- Press ENTER.

For the activation of text input see `Miscellaneous\Dialogs/Menus\Measuring point no.`

9.1.3 Transducer selection

Notice!

The transducers have to be selected depending on the application parameters (see technical specification).

```
Parameters\Connected transd.
```

- The transducer connected to the transmitter is displayed.
- Press ENTER.

The display will only be indicated if a SENSPROM is connected to the transmitter.

The display `Transducer not found` will be indicated if neither transducers nor SENSPROM are connected.

- Press ENTER.

```
Parameters>Select transducer
```

The following display appears: `Select transducer`. Standard sensors that are stored in the transmitter can be selected.

- Select the transducer.
- Press ENTER.

Notice!

If a standard transducer is selected, no transducer-specific calibration values are considered. A higher uncertainty has to be expected.

9.1.4 Input of pipe parameters

Outer pipe diameter

Parameters\Outer diameter

- Enter the outer pipe diameter. If the pipe has a coating, enter the outer diameter including the coating.
- Press ENTER.

It is possible to enter the pipe circumference instead of the outer pipe diameter.

Pipe circumference

Parameters\Pipe circumference

- The input of the pipe circumference can be activated in the menu item `Miscellaneous\Dialogs/Menus\Pipe circumference`.
- Press in the menu item `Outer diameter`. The menu item `Pipe circumference` is displayed.
- Enter the pipe circumference. If the pipe has a coating, enter the circumference including the coating.
- Press ENTER.

If the outer pipe diameter is to be entered, press . The menu item `Outer diameter` is displayed.

Pipe material

Parameters\Pipe material

The pipe material has to be selected to be able to determine the corresponding sound speed. The sound speeds for the materials in the scroll list are stored in the transmitter.

- Select the pipe material.
- If the material is not in the scroll list, select the list item `Other material`.
- Press ENTER.

Sound speed of the pipe material

Parameters\Pipe material\Other material\c material

- Enter the sound speed of the pipe material.

Notice!

There are 2 sound speeds for pipe materials: the longitudinal and the transversal one. Enter the sound speed which is nearer to 2500 m/s.

- Press ENTER.
- Select `Transverse wave` or `Longitudinal wave`.
- Press ENTER.

These displays will only be indicated if `Other material` is selected.

For the sound speed of some materials see annex C.

Roughness of the pipe material

Parameters\Pipe material\Other material\Roughness

The flow profile of the fluid is influenced by the roughness of the inner pipe wall.

The roughness is used for the calculation of the profile correction factor.

In most cases, the pipe roughness cannot be exactly determined and must therefore be estimated.

- Press ENTER if the pipe has a lining. The roughness of the lining is included into the calculation.
- Enter the roughness of the pipe material in case the pipe has no lining.
- Press ENTER.

This display will only be indicated if `Other material` is selected.

For the roughness of some materials see annex C.

Wall thickness

Parameters\Pipe wall thickness

- Enter the pipe wall thickness.
- Press ENTER.

Lining

Parameters\Lining

- Select `Yes` if the pipe has a lining. Select `No` if the pipe has no lining.
- Press ENTER.

Lining material

Parameters\Lining material

- Select the lining material.
- Press ENTER.
- If the lining material is not included in the scroll list, select the list item `Other material`.
- Press ENTER.

This display will only be indicated if `Yes` is selected in the menu item `Lining`.

Sound speed of the lining material

Parameters\Lining material\Other material\c material

- Enter the sound speed of the lining material.

Notice!

For pipe materials there are 2 sound speeds, the longitudinal and the transversal one. Enter the sound speed which is nearer to 2500 m/s.

- Press ENTER.
- Select `Transverse wave` or `Longitudinal wave`.
- Press ENTER.

These displays will only be indicated if `Other material` is selected.

Roughness of the lining material

Parameters\Lining material\Other material\Roughness

The flow profile of the fluid is influenced by the roughness of the inner pipe wall.
The roughness is used for the calculation of the profile correction factor.
In most cases, the pipe roughness cannot be exactly determined and must therefore be estimated.

- Enter the roughness of the lining material.
- Press ENTER.

This display will only be indicated if `Other material` is selected.

Lining thickness

Parameters\Lining thickness

- Enter the thickness of the lining.
- Press ENTER.

This display will only be indicated if `Yes` is selected in the menu item `Lining`.

Roughness

Parameters\Roughness

The flow profile of the fluid is influenced by the roughness of the inner pipe wall.
The roughness is used for the calculation of the profile correction factor.
In most cases, the pipe roughness cannot be exactly determined and must therefore be estimated.

- If `Automatic` is selected, the roughness values stored in the transmitter are used.
- If `Customized` is selected, a roughness value has to be entered.
- Press ENTER.

This display will not be indicated if `Other material` is selected in the menu item `Pipe material` or `Lining material`.

9.1.5 Gas measurement

Deviating from the global device settings, it is possible to deactivate the gas measurement in the menu item `Miscellaneous\Measurement\Measurement modes`.

Parameters\Gas measurement

This display will only be indicated if the gas measurement has been activated in the menu item `Miscellaneous\Measurement\Measurement modes`.

- Select `Yes` if the gas measurement has to remain activated. Select `No` to deactivate it.
- Press ENTER.

The scroll list is adapted in the menu item `Fluid`.

9.1.6 Input of fluid parameters

Fluid

```
Parameters\Fluid
```

- Select the fluid from the scroll list.

It is possible to select special fluid data sets for wet gas (WG, see document TI_WetgasCorrection), low pressure steam (steam measurement only) and natural gas with changing composition (DGM).

- If the fluid is not in the scroll list, select the list item `Other fluid`.
- Press ENTER.

Sound speed of the fluid

```
Parameters\Fluid\Other fluid\c fluid
```

The sound speed of the fluid is used for the calculation of the transducer distance. The exact value of the sound speed is not always known. Therefore, a range of possible values for the sound speed has to be entered.

- Enter the average sound speed of the fluid.
- Press ENTER.

This display will only be indicated if `Other fluid` is selected.

Sound speed range of the fluid

```
Parameters\Fluid\Other fluid\Range c fluid
```

- Select `Automatic` if the range around the average sound speed has to be set to $\pm 10\%$ the entered sound speed.
- Select `Customized` if the range around the average sound speed has to be entered.
- Press ENTER.

This display will only be indicated if `Other fluid` is selected.

```
Parameters\Fluid\Other fluid\Range c fluid\Customized
```

- Enter the range around the average sound speed of the fluid.
- Press ENTER.

This display will only be indicated if `Customized` is selected.

Kinematic viscosity of the fluid

```
Parameters\Fluid\Other fluid\Kin. viscosity
```

The kinematic viscosity influences the flow profile of the fluid. The value is considered in the profile correction.

- Enter the kinematic viscosity of the fluid.
- Press ENTER.

This display will only be indicated if `Other fluid` is selected.

Compressibility coefficient

```
Parameters\Fluid\Other fluid\Compress. coeff.
```

The compressibility coefficient of the gas is essential for the calculation of the standard volumetric flow rate. Make sure that the value is selected according to the operating pressure, the operating temperature and the composition of the gas.

- Enter the compressibility coefficient of the gas.
- Press ENTER.

This display will only be indicated if `Other fluid` is selected.

Fluid density

```
Parameters\Fluid\Other fluid\Fluid density
```

The density is used to calculate the mass flow.

If the mass flow is not measured, an input is unnecessary. The default value can be used.

- Enter the operating density of the fluid.
- Press ENTER.

This display will only be indicated if `Other fluid` is selected.

9.1.7 Measurement settings

Selection of the physical quantity

```
Parameters\Physical quantity
```

The available physical quantities are displayed in a list.

- Select the physical quantity.
- Press ENTER.

Selection of the unit of measurement

```
Parameters\Physical quantity\Flow velocity
```

For the selected physical quantity (except sound speed), a scroll list with the available units of measurement is displayed.

- Select the unit of measurement of the physical quantity.
- Press ENTER.

Notice!

If the physical quantity or the unit of measurement is changed, the settings of the outputs have to be checked.

9.1.8 Further parameters

Fluid temperature

```
Parameters\Fluid temp.
```

The fluid temperature is used:

- at the beginning of the measurement for the interpolation of the sound speed and therefore for the calculation of the recommended transducer distance
- during the measurement for the interpolation of the density and the viscosity of the fluid

This value is only used, if the fluid temperature is not measured. The value has to be within the ambient temperature of the transducers.

- Enter the fluid temperature. In case of a temperature range, enter the average fluid temperature.
- Press ENTER.

Notice!

If the relation between the sound speed and the temperature is not linear, see the sound speed-temperature curve.

Fluid pressure

Parameters\Fluid pressure

The fluid pressure is used for the interpolation of the sound speed and the gas compressibility coefficient.

- Enter the fluid pressure.
- Press ENTER.

This display will only be indicated if the option `Gas measurement` is activated in the menu item `Miscellaneous\Measurement\Measurement modes`.

Value for LVF (liquid volume fraction)

This value indicates the liquid proportion in the gas, see document `TI_WetgasCorrection`.

Parameters\Liquid volume fraction

- Enter the LVF value.
- Press ENTER.

This display will only be indicated if a fluid has been selected for the wet gas measurement.

Value for WLR (water liquid ratio)

This value indicates the water proportion in the fluid, see document `TI_WetgasCorrection`.

Parameters\Water liquid ratio

- Enter the WLR value.
- Press ENTER.

This display will only be indicated if a fluid has been selected for the wet gas measurement.

Notice!

The LVF and WLR values can be updated via Modbus inputs during the measurement, see document `SU_Modbus`.

Input of the ratio of CO₂ and N₂

Parameters\Ratio of CO₂

- Enter the ratio of CO₂ of the fluid.
- Press ENTER.

Parameters\Ratio of N₂

- Enter the ratio of N₂ of the fluid.
- Press ENTER.

These displays will only be indicated if `Calculate HHV` is activated in the menu item `Miscellaneous\Measurement\Measurement settings` and a DGM fluid data set has been selected.

Extension cable

Parameters\Extension cable

In case the transducer cable is extended (e.g., between junction box and transmitter), enter the length of the extension cable.

- Enter the length of the extension cable.
- Press ENTER.

Input of the damping factor

Parameters\Damping

Each displayed measured value is a floating average of the last x seconds, with x being the damping factor. If 0 s is entered as damping factor, no average is calculated.

The value of 10 s is appropriate for normal flow conditions. If the values fluctuate strongly, caused by a higher dynamic flow, a higher damping factor can be very useful.

- Enter the damping factor.
- Press ENTER.

Dynamic damping

If dynamic damping is activated, volatile changes in the measured values of the selected physical quantity are transmitted through the transmitter without any time lag.

Important!

The dynamic damping will only have impact on the selected physical quantity. All other physical quantities are not dynamically damped.

Parameters\Dynamic damping

- Select On to activate the dynamic damping.
- Press ENTER.

This display will only be indicated if dynamic damping has been activated in the menu item Miscellaneous\Measurement settings\Dynamic damping.

Parameters\...\Dynamic threshold

- Enter the value for the dynamic threshold. If zero is entered, dynamic damping will be deactivated.
- Press ENTER.

Parameters\...\Transient damping

- Enter the damping factor for the temporary damping.
- Press ENTER.

Notice!

If another physical quantity is selected, the dynamic damping has to be entered again.

Input of the error delay

Parameters>Error delay

The error delay is the time interval after which the error value is transmitted to the output.

This display will only be indicated if the list item Edit is selected in the menu item Miscellaneous\Dialogs/Menus/Error delay.

If no error delay is entered, the damping factor will be used.

- Enter a value for the error delay.
- Press ENTER.

Definition of conditions for valid measurements

Parameters\Valid meas. condition

- Select a condition.
- Press ENTER.

This display will only be indicated if the list item 1 meas. point (AB) is selected in the menu item Parameters\Measuring point config.

Tab. 9.2: Condition for a valid measurements

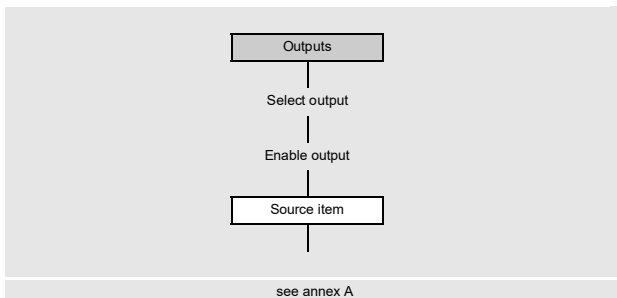
all channels OK	1 channel OK
mean with "AND" All measuring channels have to deliver a valid measuring value.	mean with "OR" At least one measuring channel has to deliver a valid measuring value.

9.2 Configuration of an output

If a current output has to be operated according to NAMUR NE43, this function has to be enabled.

Outputs\Current output modes\NAMUR NE43

- Select the list item Current output modes in the menu item Outputs.
- Press ENTER until the menu item NAMUR NE43 is displayed.
- Select Yes to enable NAMUR NE43.
- Press ENTER.



If the transmitter is equipped with outputs, they have to be configured. The measured value, the status value or an event value can be transmitted via the different outputs.

In the following the configuration of the current output is described.

- Select the menu Outputs.
- Press ENTER.

The scroll list contains all available outputs of the transmitter.

Outputs\Current I1(-)

- Select an output (here: Current I1 (-)).
- Press ENTER.

If the output has already been enabled, it is displayed as follows: I1 (✓).

Outputs\Current I1\I1 Enable

- Select Yes to change the settings for an already enabled output.
- Select No to cancel the assignment and to return to the previous menu item.
- Press ENTER.

If the list item 2 meas. points (A|B) is selected in the menu item Parameters\Measuring point config., the measuring point must be selected for which the measured values are to be transmitted to the output.

- Select a list item.
- Press ENTER.

Assignment of a source item

A source item has to be assigned to each selected output.

Outputs\...\Source item

- Select a source item whose measured value, status value or event value is to be transmitted to the output.
- Press ENTER.

Tab. 9.3: Configuration of the outputs

source item	list item	output
Flow quantities	Flow velocity	flow velocity
	Norm vol. flow rate	standard volumetric flow rate
	Operation vol. flow	operating volumetric flow rate
	Mass flow rate	mass flow rate
	Gas energy flow rate ⁽¹⁾	gas energy flow rate
Totalizers	Volume (+)	totalizer for the volumetric flow rate in positive flow direction
	Volume (-)	totalizer for the volumetric flow rate in negative flow direction
	Volume (Δ)	difference of the totalizers for the positive and negative flow direction
	Standard volume (+)	totalizer for the standard volumetric flow rate in positive flow direction
	Standard volume (-)	totalizer for the standard volumetric flow rate in negative flow direction
	Standard vol. (Δ)	difference of the totalizers for the positive and negative flow direction
	Mass (+)	totalizer for the mass flow rate in positive flow direction
	Mass (-)	totalizer for the mass flow rate in negative flow direction
	Mass (Δ)	difference of the totalizers for the positive and negative flow direction
	Gas energy (+) ⁽¹⁾	totalizer for positive measured values of gas energy
Gas energy (-) ⁽¹⁾	totalizer for negative measured values of gas energy	
Gas energy (Δ) ⁽¹⁾	totalizer difference	
Fluid properties	Fluid temp.	fluid temperature
	Fluid pressure	fluid pressure
	Fluid density	fluid density
	Kin. viscosity	kinematic viscosity
	Dyn. viscosity	dynamic viscosity
	Norm. density	density at reference temperature
	Compress. coeff.	gas compressibility coefficient
	Molar mass	molar mass of the GDM fluid data set
	Ratio of CO ₂	ratio of CO ₂ of the DGM fluid data set
	Ratio of N ₂	ratio of N ₂ of the DGM fluid data set
	HHV per mass ⁽¹⁾	higher heating value (mass-related)
HHV per volume ⁽¹⁾	higher heating value (volume-related)	

⁽¹⁾ only if Calculate HHV is activated and a DGM fluid data set has been selected in the menu item Miscellaneous\Measurement\Measurement settings

Tab. 9.3: Configuration of the outputs

source item	list item	output
Event trigger	R1	limit message (Event trigger R1)
	R2	limit message (Event trigger R2)
	R3	limit message (Event trigger R3)
	R4	limit message (Event trigger R4)
Diagnostic values	Amplitude	signal amplitude
	Quality	signal quality
	SNR	signal-to-noise ratio
	SCNR	signal-to-correlated noise ratio
	VariAmp	amplitude variation
	VariTime	transit time variation
	Gain	gain required to receive a useful signal
	Pig detection	signalizes whether a pig is detected This display will only be indicated if Pig detection is activated.
Miscellaneous	Custom. Input 1	measured values of input quantities (e.g., temperature, density) which are not used for calculation In the menu item Inputs\Assign inputs it is possible to assign configured inputs to customized inputs.
	Custom. Input 2	
	Custom. Input 3	
	Custom. Input 4	
Sound speed	Sound speed	sound speed
	Sound speed (Δ)	difference of the measured sound speed and the sound speed calculated from the fluid data

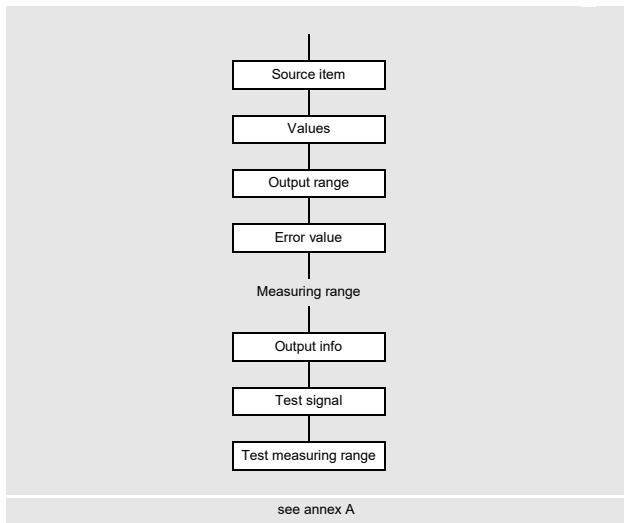
(1) only if Calculate HHV is activated and a DGM fluid data set has been selected in the menu item Miscellaneous\Measurement\Measurement settings

Depending on the selected source item, it is possible to output measured values, status values or event values.

Tab. 9.4: Output of measured values, status values or event values

	source item	measured value		event value
		value	status	
physical quantities	Flow quantities	x	x	
	Totalizers	x	x	
	Fluid properties	x	x	
	Sound speed	x	x	
	Miscellaneous	x	x	
	Diagnostic values (except Pig detection)	x		
events	Diagnostic values\Pig detection			x
	Event trigger			x

9.2.1 Output of a measured value



- Select the list item `Outputs\...\Values`.
- Press ENTER.

Output range

`Outputs\...\Output range`

- Select a list item.
 - 4...20 mA
 - Other range

• Press ENTER.

If `Other range` is selected, enter the values `Output MIN` and `Output MAX`.

The output range has to be > 10 % of the max. output value (`Output MAX`). If the output range is smaller, an error message will be displayed.

If the function `NAMUR NE43` is activated in the menu item `Outputs\Current output modes`, only the output range 4...20 mA applies.

Error output

`Outputs\...\Error value`

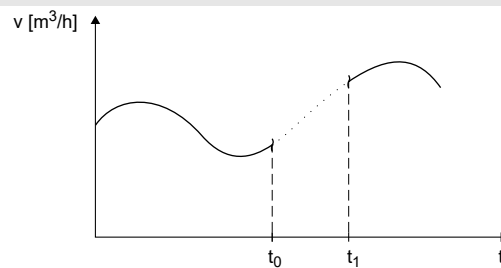
An error value can be defined which is output if the source item cannot be measured.

- Select a list item for the error output.
- Press ENTER.
- If `Other value` is selected or the function `NAMUR NE43` is activated, enter an error value. The value has to be outside the output range. If the entered value is not valid, an error message and the permissible range will be displayed.
- Press ENTER.

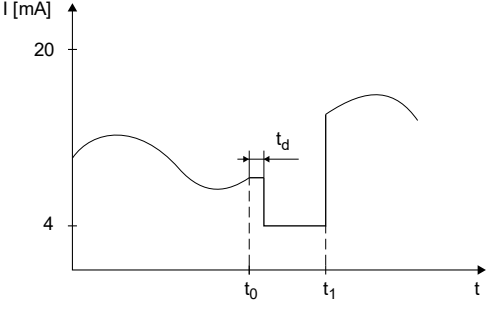
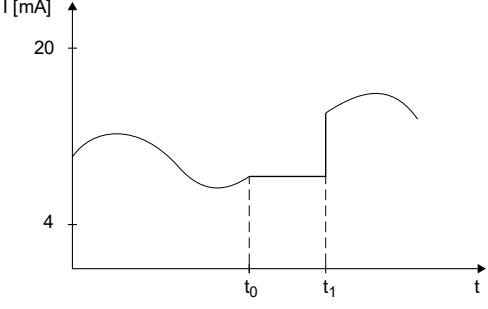
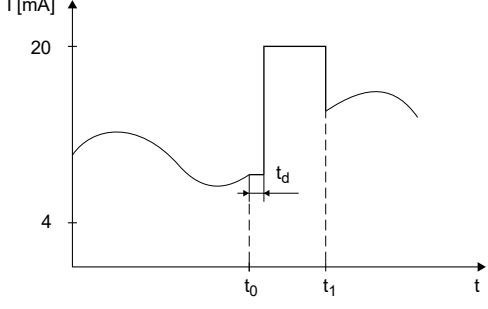
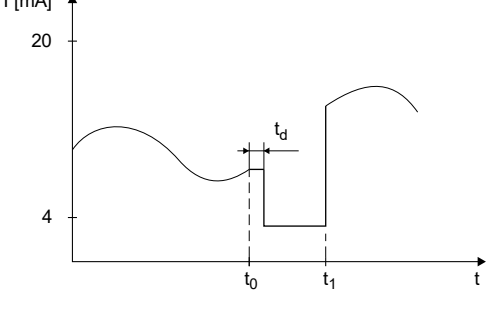
Example

source item: volumetric flow rate
 output: current output
 output range: 4...20 mA
 error delay: $t_d > 0$

The volumetric flow rate cannot be measured during the time interval $t_0...t_1$. The error value will be output.



Tab. 9.5: Examples for the error output (output range: 4...20 mA)

list item	output signal
4.0 mA	
Last value	
20.0 mA	
Other value error value = 3.5 mA	

Measuring range

The sign of the measured value and the measuring range are determined.

```
Outputs\...\Measured values\Absolute value
```

- Select `Sign` if the sign of the measured values is to be considered for the output.
- Select `Absolute value` if the sign of the measured values is not to be considered for the output.

```
Outputs\...\Start of meas. range
```

- Enter the lowest expected measured value. The unit of measurement of the source item will be displayed.
- `Start of meas. range` is the value assigned to the value `Output MIN` of the output range.

```
Outputs\...\End of meas. range
```

- Enter the highest expected measured value. The unit of measurement of the source item will be displayed.
- `End of meas. range` is the value assigned to the value `Output MAX` of the output range.

Terminal assignment

```
Outputs\...\Output info
```

The terminals for the connection of the output are displayed.

By pressing `2` or `8` further information is displayed.

- Press ENTER.

Output function test

The function of the output can now be tested.

- Connect an external measuring instrument to the terminals of the installed output.

```
Outputs\...\Test signal
```

- Select `Yes` to test the output. Select `No` to display the next menu item.
- Press ENTER.

```
Outputs\...\Enter test value
```

- Enter a test value. It has to be within the output range.
- Press ENTER.

If the external measuring instrument displays the entered value, the output functions correctly.

- Select `Repeat` to repeat the test or `Finish` to display the next menu item.
- Press ENTER.

```
Outputs\...\Test measuring range
```

- Select `Yes` to test the assignment of the measured value to the output signal. Select `No` to display the next menu item.
- Press ENTER.

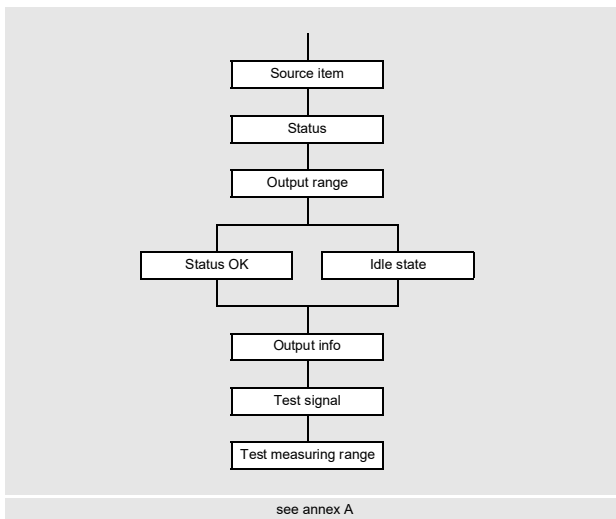
Outputs\...\Enter test value

- Enter a test value. It has to be within the expected measuring range.
- Press ENTER.

If the external measuring instrument displays the corresponding current value, the output functions correctly.

- Select Repeat to repeat the test or Finish to display the next menu item.
- Press ENTER.

9.2.2 Output of a status/event value



- Select the list item Outputs\...\Status.
- Press ENTER.

Output range

Outputs\...\Output range

- Select a list item.
 - 4...20 mA
 - Other range

- Press ENTER.

If Other range is selected, enter the values Output MIN and Output MAX.

The output range has to be > 10 % of the max. output value (Output MAX). If the output range is smaller, an error message will be displayed. The next possible value will be displayed.

status value – status OK	event value – idle state
The status of the output signal is defined which is to be output when measuring a measured value.	The status of the output signal is defined which is to be output if no event occurs.
<ul style="list-style-type: none"> • Select the value for status OK from the scroll list. • Press ENTER. 	<ul style="list-style-type: none"> • Select the value for the idle state. • Press ENTER.

Terminal assignment

Outputs\...\Output info

The terminals for the connection of the output are displayed.

By pressing 2 or 8 further information is displayed.

- Press ENTER.

Output function test

The function of the output can now be tested.

- Connect an external measuring instrument to the terminals of the installed output.

Outputs\...\Test signal

- Select Yes to test the output. Select No to display the next menu item.
- Press ENTER.

Outputs\...\Enter test value

- Enter a test value. It has to be within the output range.
- Press ENTER.

If the external measuring instrument displays the entered value, the output functions correctly.

- Select Repeat to repeat the test or Finish to display the next menu item.
- Press ENTER.

Outputs\...\Test measuring range

- Select Yes to test the status of the output signal. Select No to display the next menu item.
- Press ENTER.

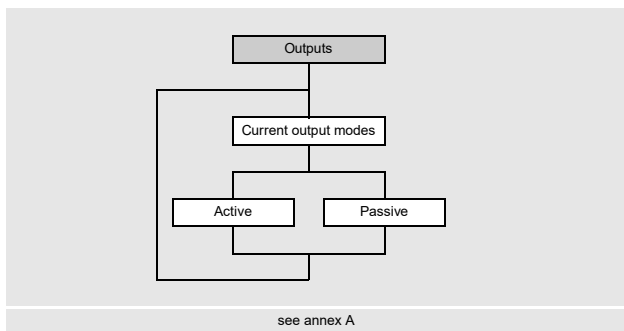
Outputs\...\Enter test value

- Select a list item as test value.
- Press ENTER.

status value	event value
Status OK or Status error If the external measuring instrument displays the value (min. output value for Status error, max. output value for Status OK), the output functions correctly.	Active or Passive If the external measuring instrument displays the value (min. output value for Passive, max. output value for Active), the output functions correctly.

- Select Repeat to repeat the test. Select Finish to display the next menu item.
- Press ENTER.

9.2.3 Operating mode for current outputs



If the transmitter has current outputs that can be operated actively or passively, it must be specified in which operating mode the current outputs are to operate.

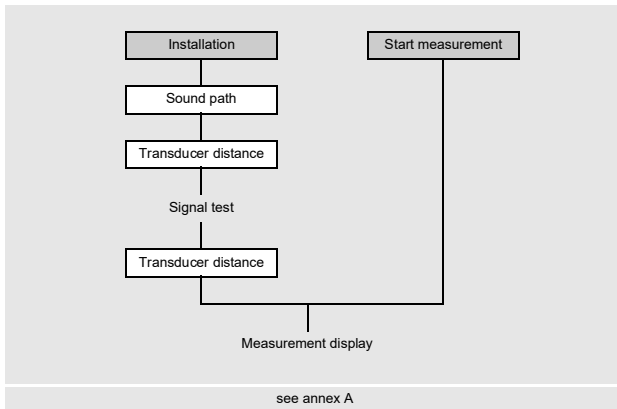
- Select the list item Outputs in the menu Current output modes.
- Press ENTER.

Outputs\Current output modes

- Select Active or Passive to operate the current outputs in the corresponding mode.
- Press ENTER.

The selected setting always applies to all available current outputs.

9.3 Start of measurement



Before starting the measurement, the measuring point has to be parameterized. If another measurement has already been performed using the same measuring point parameters, the measurement can be started immediately.

- Select the menu `Start measurement`.
- Press ENTER.

The measurement is started. The measured values are displayed.

In case parameters or the measurement arrangement have changed, the measurement has to be started via the menu `Installation`.

- Select the menu `Installation`.
- Press ENTER.

If the list item `2 meas. points (A|B)` is selected in the menu item `Parameters\Measuring point config.`, the following settings are queried for each measuring point.

Input of the sound path number

`Installation\Sound path`

- Enter the number of sound paths.
- Press ENTER.

Adjustment of the transducer distance

`Installation\Transducer distance`

The recommended transducer distance will be displayed. The transducer distance is measured between the inner edges of the transducers. In case of a measurement in diagonal arrangement on very small pipes, a negative transducer distance is possible.

Notice!

The accuracy of the recommended transducer distance depends on the accuracy of the entered pipe and fluid parameters.

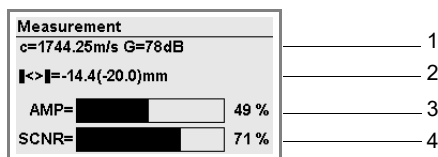
- Mount the transducers on the pipe and adjust the recommended transducer distance.
- Press ENTER.

The diagnostics window is displayed.

The amplitude of the received signal is displayed by bar graph `AMP`.

The bar graph `SCNR` shows the ratio of the useful signal an the correlated noise signal.

Fig. 9.1: Diagnostics window



- 1 – diagnostic value, selection with
- 2 – diagnostic value, selection with
- 3 – amplitude (bar graph)
- 4 – SCNR value (bar graph)

Tab. 9.6: Diagnostic values

	display ⁽¹⁾	explanation
line 1 of the display, scroll with 9	c, G	measured sound speed of the fluid and signal gain
	SCNR	signal-to-correlated noise ratio
	SNR	signal-to-noise ratio
	Q	signal quality By pressing 8 it is possible to display the numeric value instead of the bar graph.
	GAIN	signal gain If the current signal gain value exceeds the max. gain, it is followed by →FAIL!.
line 2 of the display, scroll with 3	■<>■	recommended transducer distance, in parentheses currently set transducer distance
	SCNR	signal-to-correlated noise ratio
	SNR	signal-to-noise ratio
	Q	signal quality By pressing 2 it is possible to display the numeric value instead of the bar graph.

⁽¹⁾ In order to avoid doubling, a value already displayed in one of the lines will be ignored in the other.

- In case of large diagnostic value deviations of the recommended limits, check if the entered parameters are correct or repeat the measurement at a different point on the pipe.
- Press ENTER.

Tab. 9.7: Recommended diagnostic limits

good measurement	measurement at limit	measurement not possible
SCNR > 30 dB (> 50 %)	20 dB ≤ SCNR ≤ 30 dB (0 % < SCNR ≤ 50 %)	SCNR < 20 dB (= 0 %)
SNR > 15 dB	0 dB ≤ SNR ≤ 15 dB	SNR < 0 dB
GAIN < 98 dB	98 dB ≤ GAIN ≤ 113 dB	GAIN > 113 dB

Input of the transducer distance

Installation\Transducer distance

The recommended transducer distance is calculated on the basis of the measured sound speed. It is therefore a better approximation than the first recommended value which had been calculated on the basis of the parameters entered in the menu *Parameters*.

- Measure the adjusted transducer distance.
- Enter the measured transducer distance. The max. permissible difference to the recommended transducer distance must not be exceeded.
- Press ENTER.

The measurement is started. The measured values are displayed.

Tab. 9.8: Max. permissible deviation between the recommended and entered transducer distance

transducer frequency (3rd character of the technical type)	max. difference between the recommended and entered transducer distance [mm]	
	shear wave transducer	Lamb wave transducer
F	-	-60...+120
G	20	-45...+90
H	-	-30...+60
K	15	-20...+40
M	10	-10...+20
P	8	-5...+10
Q	6	-3...+5
S	3	-

9.4 Field calibration DGM (optional)

The field calibration function allows a comparison between the actual and the set value of the average molar mass for each measuring channel, in case a DGM fluid data set has been selected.

Potential tolerances of pipe geometry and transducer installation have to be compensated by applying a sound speed offset. When sampling, temperature, pressure, sound speed and molar mass are stored for each series of measured values. Up to 64 pairs of measured values per series of measured values are possible.

When a calibration is applied to a referenced molar mass, the sound speed offset is automatically generated.

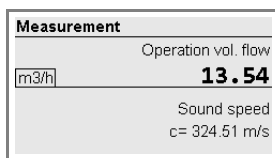
After laboratory evaluation of the samples, the set values are entered in the transmitter.

The transmitter calculates the correction of the average sound speed and molar mass and stores them for the selected DGM fluid data set.

Start of measurement

- Select the menu `Measurement`.
- Press ENTER.

Fig. 9.2: Display of measured values



Storing of calibration values

The molar mass, sound speed, pressure and temperature measured during the sampling have to be stored.

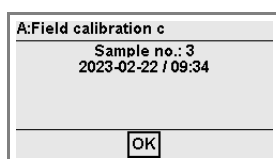
- Press .

The sampling number and the time of sampling are displayed.

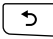
Several calibration values can be stored per series of measured values. The calibration values will be stored in the transmitter until an auto calibration is carried out or the samples are deleted.

If a new measurement is started and new calibration values are stored, the calibration values of the previous series of measured values are overwritten.

Fig. 9.3: Display of sampling number and time

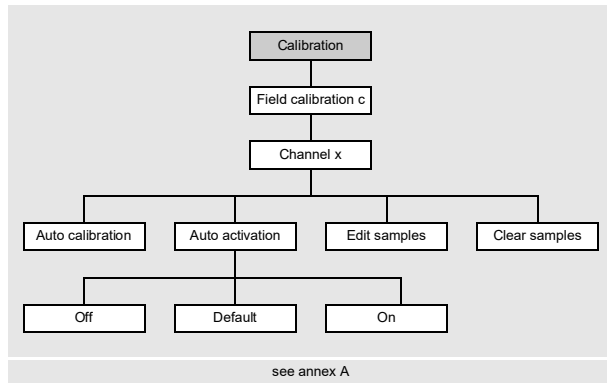


Stop of measurement

- Press and hold  to return to the main menu.
- Select the menu `Stop measurement`.
- Press ENTER.
- Select `Yes` to stop the measurement.
- Press ENTER.

The measurement is stopped. The main menu is displayed.

Input of the reference value



- Select the menu `Calibration`.
- Press ENTER.
- Select the list item `Field calibration c`.
- Press ENTER.

`Calibration\Field calibration c`

- Select a channel for which a field calibration is to be carried out.
- Press ENTER.

This display will only be indicated if 1 meas. point (AB) or 2 meas. points (A|B) is selected for the configuration of the measuring point.

`Calibration\Field calibration c`

- Select the list item `Edit samples`.
- The sampling number and the time of sampling are displayed.
- Press ENTER.
- Enter the reference value of the sampling.
- Press ENTER.

Notice!

The reference quantity has to be identical with the physical quantity of the fluid selected in the menu `Parameters`.

Auto calibration

- Select the list item `Auto calibration`.
- Press ENTER.

The calibration is carried out.

Notice!

If several reference values were stored, an average is made during the auto calibration which is valid for the entire operating range.

Auto activation

- Select the list item `Auto activation`.
- Select `On` if the offset of the sound speed obtained during the field calibration is to be used for the calculation of the average molar mass.
- Press ENTER.

For the verification of the offset, the auto activation can be switched off in case a service is required. In extreme cases, an error of the average molar mass is displayed.

- Select `Off` in case the offset of the sound speed is not to be used. The transmitter works with the measured sound speed without any correction.
- Press ENTER.
- Select `Default` (`Auto activation = Off`) if no customized inputs are to be made.
- Press ENTER.

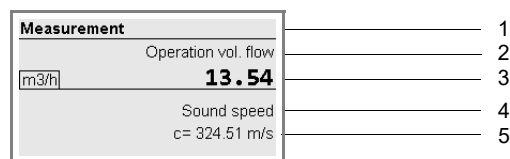
Deletion of samples

- Select the list item `Clear samples`.
- Select `Yes` to delete the samples.
- Press ENTER.

9.5 Display during the measurement**9.5.1 Measured value**

The measured values are displayed during the measurement as follows:

Fig. 9.4: Display of measured values



- 1 – status indicators
- 2 – physical quantity
- 3 – unit of measurement and measured value
- 4 – further physical quantities
- 5 – further physical quantities

By pressing or , additional physical quantities can be displayed during the measurement.

- Press to display the measured values in line 5. The designation of the physical quantity is displayed in line 4 by pressing for several seconds.
- Press to display the measured values in line 4. The designation of the physical quantity is displayed in line 5 by pressing for several seconds.

Toggle between the measuring channels

If `2 meas. points (A|B)` is selected for the configuration of the measuring point, the measurement is started on several measuring channels. The display of the measured values can be adapted as follows:

AutoMux mode

The measured values of all activated measuring channels are displayed consecutively in the AutoMux mode. The next activated measuring channel is selected after min. 3 s. The toggle time can be changed in the menu item `Miscellaneous\Dialogs\Menu\Toggle time`.

HumanMux mode

The measured values of one single measuring channel are displayed in the HumanMux mode. The measurement on the other measuring channels continues.

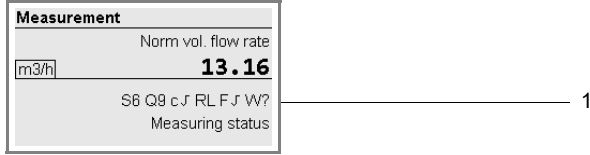
- Press to display the next activated measuring channel. The measured values for the selected measuring channel are displayed.

Each measurement starts in AutoMux mode. Press to toggle between the modes.

9.5.2 Status line

Important information of the running measurement is summarized in the status line. The quality and precision of the measurement can be evaluated. Press 9 during the measurement to scroll to the status line.

Fig. 9.5: Display of the status line



1 – status line

Tab. 9.9: Description of the status line

	value	meaning
S	0 ... 9	signal amplitude < 5 % ... ≥ 90 % values ≥ 3 are sufficient for the measurement
Q	0 ... 9	signal quality < 5 % ... ≥ 90 %
C	√ ↑ ↓ ?	sound speed comparison of the measured and the expected sound speed of the fluid The expected sound speed is calculated from the fluid parameters. OK, is equal to the expected value > 20 % of the expected value < 20 % of the expected value unknown, cannot be measured
r	T L ↑ ?	flow profile information about the flow profile based on the Reynolds number fully turbulent flow profile fully laminar flow profile transition range between laminar and turbulent flow unknown, cannot be calculated
F	√ ↑ ↓ 0 ?	flow velocity comparison of the measured flow velocity with the flow limits of the system OK, the flow velocity is not within the critical range the flow velocity is above the current limit the flow velocity is below the current cut-off flow the flow velocity is within the limit range of the measuring method unknown, cannot be measured

Tab. 9.9: Description of the status line

	value	meaning
W		wet gas this display will only be indicated during wet gas measurement
WS	√	stratified flow
WM	√	mist flow
	!	the calculated WGC factor is outside the valid range of the applied model
	?	the WGC factor could not be calculated

9.5.3 Diagnostic values

The diagnostic values from Tab. 9.6 can be displayed during the measurement.

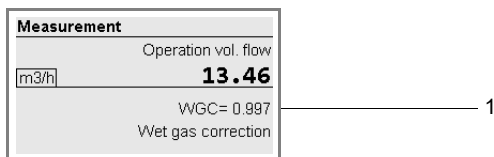
- Press ENTER to return to the diagnostics window.
- If the measurement is started on several measuring channels, press ENTER to change to the diagnostics window for measuring channel B.
- Press ENTER to return to the display of measured values.

9.5.4 Parameters

Wet gas compensation factor (WGC factor)

If a fluid is selected for the wet gas measurement, it is possible to scroll to the display of the wet gas compensation factor by pressing during the measurement.

Fig. 9.6: Display of the wet gas compensation factors



1 – wet gas compensation factor

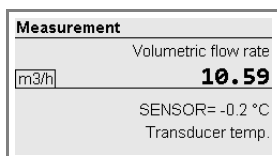
The displayed operating volumetric flow rate contains the wet gas correction. The standard volumetric flow rate is calculated from the corrected operating volumetric flow rate, see document TI_WetgasCorrection.

Transducer temperature

In the SuperUser and SuperUser ext. modes it is possible to display the transducer temperature during the measurement.

By pressing during the measurement, it is possible to scroll to the transducer temperature display.

Fig. 9.7: Display of the transducer temperature




Notice!

If the compliance of the specified transducer temperature has to be monitored, an event trigger can be set on the temperature value.

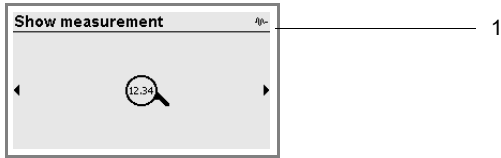
Parameter settings

The parameter settings can be displayed during the measurement.

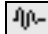
- Press  during the measurement.

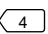
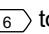
The transmitter returns to the main menu.

Fig. 9.8: Display of the main menu during the measurement



1 – status indication

The measurement is running in the background. The symbol  is displayed in the status indication.

- Press  or  to select the corresponding menu to display the parameters.

Notice!

The parameters cannot be changed during the measurement. When attempting to change the parameters, the message *Read-only mode* will be displayed.
The measurement has to be stopped in order to change the parameters.

Information regarding the data logger

Information regarding the data logger can be displayed during the measurement.

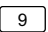
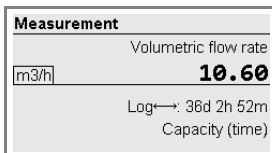
- Press  until the following is displayed:

Fig. 9.9: Information regarding the data logger

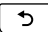


If the ringbuffer is deactivated, line 4 indicates when the data logger will be full in case all settings are kept.

If the ringbuffer is activated, line 4 indicates how long measurement data can still be stored without losing older measurement data.

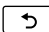
The information regarding the data logger can also be displayed via the menu *Storage*.

```
Storage\Data logger\Data logger info
```

- Press  during the measurement.
- Select the list item *Data logger\Data logger info* in the menu *Storage*.
- Press ENTER.

The information regarding the data logger are displayed.

9.5.5 Return to display of measured values

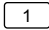
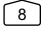
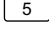
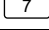
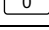
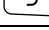
- Press and hold  to return to the main menu.
- Select the menu *Show measurement*.
- Press ENTER.

The measured values are displayed.

9.6 Execution of special functions

Some of the keys have special functions. They can be used to enter data, to navigate through scroll lists and to execute special functions.

Tab. 9.10: Special functions

key	function
	toggling between the AutoMux and HumanMux mode ⁽¹⁾
	totalizer display
	triggering of snaps
	toggling between the displays of the activated measuring channels ⁽¹⁾
	toggling between the TransitTime and the FastFood mode
	toggling to the main menu, stop of measurement of parameter display
ENTER	display of the diagnostic window

⁽¹⁾ only if 2 meas. points (A|B) is selected for the configuration of the measuring point

Additional functions can be executed by pressing C. If 2 meas. points (A|B) is selected for the configuration of the measuring point, the functions of the measuring channel that was last visible on the display are executed.

- Press and hold C until the menu item `Execute command` is displayed.
- Select a list item.
- Press ENTER.

Totalizers

```
Measurement\Execute command\Totalizers
```

- Select the list item `Totalizers`.
- Press ENTER.

The following scroll list appears:

display	description
<code>Reset totalizers</code>	reset the totalizer to zero
<code>Freeze display</code>	display the measured value of the totalizer for several seconds
<code>Reset error</code>	reset the totalizer error
<code>Stop/clear totalizers</code>	stop totalizer and reset it to zero
<code>Start totalizers</code>	start totalizer

Measuring mode

If the FastFood mode is enabled, it is possible to toggle between it and the TransitTime mode.

```
Measurement\Execute command\Measuring mode
```

- Select the list item `Measuring mode`.
- Press ENTER.
- Select a measuring mode from the list.
- Press ENTER.

Channel toggling

If 2 meas. points (A|B) is selected for the configuration of the measuring point, the display of the measured values can be adapted as follows:

```
Measurement\Execute command\Channel toggling
```

- Select the list item Channel toggling.
- Press ENTER.

During the measurement, the measured values of measuring channel A or B can be displayed or it is toggled automatically between these measuring channels.

- Select a list item for measuring channel toggling.
- Press ENTER.

Taking a snap

```
Measurement\Execute command\Take a snap
```

- Select the list item Take a snap.
- Press ENTER.

A snap is taken.

Reset the event trigger to idle state

```
Measurement\Execute command\Clear alarms
```

- Select the list item Clear alarms.
- Press ENTER.

This display will only be indicated if an event trigger has been parameterized and at least one event trigger has also been triggered.

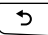
Sampling

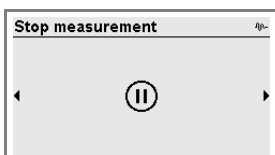
```
Measurement\Execute command\Sampling
```

- Select the list item Sampling.
- Press ENTER.

The sampling number and the time of sampling are displayed.

9.7 Stop of measurement

- Press and hold  to return to the main menu.
- Select the menu Stop measurement.



- Press ENTER.
- Select Yes to stop the measurement.
- Press ENTER.

The measurement is stopped. The main menu is displayed.

10 Troubleshooting

Danger!



Risk of explosion when using the measuring equipment in explosive atmospheres

This may result in personal or material damage or dangerous situations.

→ Observe the "Safety instructions for the use in explosive atmospheres".

Warning!



Service works by unauthorized and unqualified personnel

This may result in personal or material damage or dangerous situations.

→ Any work on the transmitter has to be carried out by authorized and qualified personnel.

Caution!



Safety and accident prevention regulations for electrical systems and equipment

Failure to observe these regulations may lead to severe injuries.

→ Observe the safety and accident prevention regulations for electrical systems and equipment.

Warning!



Touching live parts

Electric shock or arc faults can lead to severe injuries. The measuring equipment can be damaged.

→ Prior to any work on the transmitter (e.g., installation, dismantling, connection, start-up), the transmitter has to be disconnected from the power supply. It is not sufficient to remove the internal fuse of the instrument.

Caution!



Touching hot or cold surfaces

This may result in injuries (e.g., thermal damages).

→ Observe the ambient conditions at the measuring point during installation.

→ Wear the required personal protective equipment.

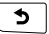
→ Observe the applicable rules.

If any problem appears which cannot be solved with the help of this operating instruction, contact our sales office and give a precise description of the problem. Specify the type, the serial number and the firmware version of the transmitter.

The display does not work at all or fails regularly.

- Check the contrast setting of the transmitter or enter the HotCode **555000** to set the display to medium contrast.
- Make sure that the correct voltage is available at the terminals. The destined transmitter voltage is indicated on the nameplate below the outer right terminal strip.
- If the power supply is OK, the transducers or an internal component of the transmitter are defective. The transducers and the transmitter have to be sent to Flexim for repair.
- If the transmitter is only connected via the USB interface, the backlight will be switched off.

An error is displayed in the status indication (symbol .

- Press  to return to the main menu.
- Select the menu item `Storage\Event log`.
- Press ENTER.

The error message list will be displayed.

Date and time are wrong, the measured values are deleted when the transmitter is switched off

- If the date and the time are reset or wrong or the measured values are deleted after the transmitter has been switched off and on again, the data backup battery has to be replaced.

An output does not work.

- Make sure that the outputs are configured correctly. Check the function of the output. If the output is defective, contact Flexim.

10.1 Problems with the measurement

A measurement is not possible because no signal is received. An interrogation point is displayed after the physical quantity. The LED lights red after starting the measurement.

- Check whether the entered parameters are correct, especially the outer pipe diameter, the pipe wall thickness and the sound speed of the fluid. Typical errors: The circumference or the radius was entered instead of the diameter. The inner pipe diameter was entered instead of the outer pipe diameter.
- Check the number of sound paths.
- Make sure that the recommended transducer distance was adjusted when mounting the transducers.
- Make sure that an appropriate measuring point is selected and the number of sound paths was entered correctly.
- Try to establish a better acoustic contact between the pipe and the transducers.
- Enter a lower value for the number of sound paths. The signal attenuation might be too high due to a high fluid viscosity or deposits on the inner pipe wall.

The measuring signal is received but no measured values can be obtained.

- If the defined upper limit of the flow velocity is exceeded or the lower limit is below, UNDEF and after the physical quantity an exclamation point will be displayed. The measured values are marked as invalid. The limit has to be adapted to the measuring conditions.
- If no exclamation point is displayed, a measurement at the selected measuring point is impossible.

The signal is lost during the measurement.

- If the pipe was without any pressure and afterwards no measuring signal has been received, contact Flexim.
- Wait a moment until the acoustic contact is reestablished. The measurement can be interrupted by a temporarily high portion of liquid and solids in the fluid.

The measured values substantially differ from the expected values.

- Wrong measured values are often caused by wrong parameters. Make sure that the parameters entered for the measuring point are correct.

10.2 Measuring point selection

- Make sure that the recommended min. distance to any disturbance is observed.
- Avoid measuring points with deposit formation in the pipe.
- Avoid measuring points in the vicinity of deformations and defects on the pipe as well as welds.
- Make sure the pipe surface at the selected measuring point is even.
- Measure the temperature at the measuring point and make sure that the transducers are suitable for this temperature.
- Make sure that the outer pipe diameter is within the measuring range of the transducers.
- When measuring on a horizontal pipe, the transducers have to be mounted laterally on the pipe.

10.3 Maximum acoustic contact

- see section 6.2

10.4 Application-specific problems

A fluid with a wrong sound speed was selected.

- If the selected sound speed in the fluid does not match the actual one, the transducer distance may not be determined correctly.
- The fluid sound speed is used to calculate the transducer distance and is therefore very important for the transducer positioning. The sound speeds stored in the transmitter only serve as an orientation.

The entered pipe roughness is not appropriate.

- Check the entered value considering the pipe condition.

Measurements on pipes made of porous materials (e.g., concrete or cast iron) are only conditionally possible.

- Contact Flexim.

The pipe lining may cause problems during the measurement if it is not firmly attached to the inner pipe wall or consists of an acoustically absorbing material.

- Try to measure on a section of the pipe free from lining.

Droplets or solid particles present in high concentration in the fluid scatter and absorb the ultrasonic signal and thus attenuate the measuring signal.

- A measurement is impossible if the value is $\geq 10\%$. If the proportion is high, but $< 10\%$, a measurement is only conditionally possible.

10.5 Significant deviations of the measured values

A fluid with a wrong sound speed was selected.

- If a fluid was selected whose sound speed does not match the actual one, a pipe wall signal can be mistaken for the measuring signal. The flow calculated by the transmitter on the basis of the wrong signal is very small or fluctuates around zero.

The defined upper limit of the flow velocity is too low.

- All measured flow velocities that are greater than the upper limit will be ignored and marked as invalid. All quantities deviated from the flow velocity will also be indicated as invalid. If several correct measured values are ignored, the totalizer values will be too low.

The entered cut-off flow is too high.

- All flow velocities below the cut-off flow are set to zero. All derived quantities are also set to zero. The cut-off flow has to be set to a low value to be able to measure at low flow velocities (default: 2.5 cm/s).

The entered pipe roughness is not appropriate.

The flow velocity of the fluid is outside the measuring range of the transmitter.

The measuring point is not appropriate.

- Check whether a different measuring point provides better results. Because pipes are never rotationally symmetric and the flow profile is affected.

The operating volumetric flow rate meets the expectations, but the standard volumetric flow rate deviates strongly.

- The parameters (standard and operating temperature, standard and operating pressure) for the measurement of the standard volumetric flow rate have not been entered correctly.

10.6 Problems with the totalizers

The values of the totalizers are too small.

- One of the totalizers has reached the upper limit and has to be reset to zero manually.

The sum of the totalizers is not correct.

- The sum of both totalizers (throughput ΣQ) transmitted via an output is not valid after one of the totalizers has overflowed for the first time.

An interrogation point is displayed after the value of the totalizer.

- The measurement was temporarily impossible, therefore the totalizer value can be wrong.

11 Maintenance and cleaning

Danger!



Risk of explosion when using the measuring equipment in explosive atmospheres

This may result in personal or material damage or dangerous situations.

→ Observe the "Safety instructions for the use in explosive atmospheres".

Warning!



Service works by unauthorized and unqualified personnel

This may result in personal or material damage or dangerous situations.

→ Any work on the transmitter has to be carried out by authorized and qualified personnel.

Warning!



Touching live parts

Electric shock or arc faults can lead to severe injuries. The measuring equipment can be damaged.

→ Prior to any work on the transmitter (e.g., installation, dismantling, connection, start-up), the transmitter has to be disconnected from the power supply. It is not sufficient to remove the internal fuse of the instrument.

Caution!



Safety and accident prevention regulations for electrical systems and equipment

Failure to observe these regulations may lead to severe injuries.

→ Observe the safety and accident prevention regulations for electrical systems and equipment.

Caution!



Touching hot or cold surfaces

This may result in injuries (e.g., thermal damages).

→ Observe the ambient conditions at the measuring point during installation.

→ Wear the required personal protective equipment.

→ Observe the applicable rules.

11.1 Maintenance

The transmitter and the transducers are practically maintenance-free. In order to ensure security, the following maintenance intervals are recommended:

Tab. 11.1: Recommended maintenance intervals

item	maintenance step	interval	measure
stainless steel housing • transmitter • junction box • transducer mounting fixture	visual inspection for corrosion and damages	annually or more frequently, depending on the ambient conditions	cleaning
	visual inspection for contamination	annually or more frequently, depending on the ambient conditions	
aluminum housing • transmitter	visual inspection for contamination	annually or more frequently, depending on the ambient conditions	
transducers	check of the transducer coupling on the pipe	annually	replacement of coupling foil, if necessary
transmitter	check for firmware updates	annually	update, if necessary
transmitter	functional test	annually	reading of measured and diagnostic values
transmitter and transducers	calibration	-	see section 11.3

11.2 Cleaning

Stainless steel housing

- Clean the housing with a soft cloth and care and cleaning spray for stainless steel.

Aluminum housing

- Clean the housing with a soft cloth. Do not use detergents.

Transducers

- Remove traces of coupling compound from the transducers with a soft paper towel.

11.3 Calibration

If installed as recommended in an appropriate location, used cautiously and serviced conscientiously, no troubles should appear.

The transmitter has been calibrated at factory and, usually, a recalibration is not necessary.

A recalibration is recommended if:

- the contact surfaces of the transducers show visible wear
- the transducers were used for a prolonged period at high temperatures (several months > 130 °C for normal transducers or > 200 °C for high temperature transducers)

In order to realize a recalibration under reference conditions, either the transmitter, the transducers or both have to be sent to Flexim.

12 Dismounting and disposal

Danger!



Risk of explosion when using the measuring equipment in explosive atmospheres

This may result in personal or material damage or dangerous situations.

→ Observe the "Safety instructions for the use in explosive atmospheres".

Warning!



Installation, connection and start-up by unauthorized and unqualified personnel

This may result in personal or material damage or dangerous situations.

→ Any work on the transmitter has to be carried out by authorized and qualified personnel.

Warning!



Touching live parts

Electric shock or arc faults can lead to severe injuries. The measuring equipment can be damaged.

→ Prior to any work on the transmitter (e.g., installation, dismantling, connection, start-up), the transmitter has to be disconnected from the power supply. It is not sufficient to remove the internal fuse of the instrument.

Caution!



Safety and accident prevention regulations for electrical systems and equipment

Failure to observe these regulations may lead to severe injuries.

→ Observe the safety and accident prevention regulations for electrical systems and equipment.

12.1 Dismounting

Dismounting is carried out in reverse order to the installation.

12.2 Disposal

The measuring equipment has to be disposed of in accordance with the applicable regulations.

Important!

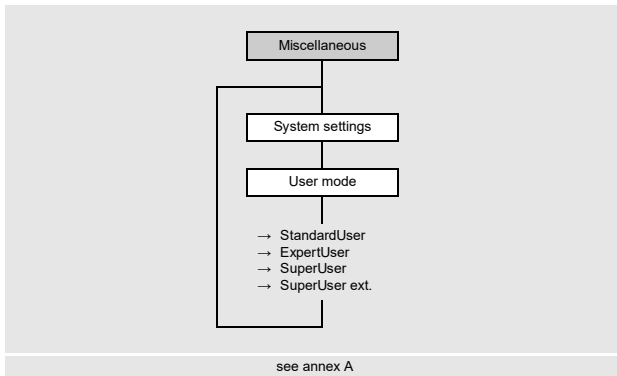
Proper disposal of components of the transmitter and accessories that are no longer required avoids environmental damage and conserves resources.

Depending on the material, the corresponding parts have to be disposed of in residual or special waste or recycled in accordance with the applicable regulations.

Batteries must be disposed of separately from electrical or electronic equipment. For this purpose, remove the batteries from the device and take them to the designated disposal system.

The components are taken back free of charge by Flexim in accordance with national regulations. Contact Flexim.

13 User modes



The user modes allow extended diagnostics of signals and measured values as well as the definition of additional parameters adapted to the application.

The following user modes can be selected:

- StandardUser
- ExpertUser
- SuperUser
- SuperUser ext.

Depending on the selected user mode, different menu items are displayed within the menu Calibration and the menu item Miscellaneous\Special settings:

Tab. 13.1: Menu items of the user modes

menu item	StandardUser	ExpertUser	SuperUser	SuperUser ext.	default
in menu item Miscellaneous\Special settings					
Start in meas. mode	X	X	X	X	
Pig detection			X	X	Off
Turbulence mode	X	X	X	X	Off
Use satur. steam curve	X	X	X	X	No
Max. gain		X	X	X	Off
Pipe signal detection		X	X	X	On
in menu Calibration					
Cut-off flow	X	X	X	X	On
Flow velocity limit		X	X	X	Off
LWT pipe wall calibr.			X	X	Off
Linear calibration			X	X	Off
Profile correction		X	X	X	On
Weighting factor			X	X	Off
Multi-point calibration (if enabled in Miscellaneous\ Measurement\Measurement settings)	X	X	X	X	
as list item in menu item Outputs\...\Source item\Diagnostic values					
Transducer temp.			X	X	
Transd. temp. violat.			X	X	
as source item during channel-based parametrization in menu Outputs					
Extended diagnostics			X	X	

User mode selection

Miscellaneous\System settings\User mode

- Select the menu item `User mode`.
- Press ENTER.
- Select a list item.
- Press ENTER.

13.1 StandardUser mode

In the StandardUser mode, all measurements can be carried out for the corresponding application. At the first start-up the transmitter operates in the StandardUser mode.

If the synchronized channel averaging is activated in the menu item `Miscellaneous\Measurement\Measurement modes\Synch. chan. averag.`, this function will not be available.

13.1.1 Start in measuring mode

For some application it is necessary to start the measurement in a particular measuring mode.

Miscellaneous\Special settings\Start in meas. mode

- Select the menu item `Special settings` in the menu `Miscellaneous`.
- Press ENTER until the menu item `Start in meas. mode` is displayed.

The menu item `Start in meas. mode` will only be displayed if the `FastFood` mode is enabled.

- Select `TransitTime` or `FastFood` to start the measurement in the corresponding mode.
- Press ENTER.

Miscellaneous\Special settings\Start in meas. mode\Only ... mode

- Select `Yes` to keep always the same the measuring mode. Select `No` to select another measuring mode by pressing during the measurement.

If the synchronized channel averaging is activated in the menu item `Miscellaneous\Measurement\Measurement modes\Synch. chan. averag.`, this function will not be available.

13.1.2 Turbulence mode

In the presence of high turbulence, i.e., high Reynolds numbers or disturbed flow profiles due to short inlet and outlet lengths, there are large fluctuations in the transit time of the ultrasonic signals, resulting in poor signal quality (e.g., reduction in signal amplitude, increase in gain). An unstable measurement with frequent signal losses and diagnostic values `VariAmp > 5 %` indicate strong turbulence. Here it can be helpful to activate the turbulence mode.

Requirement for a measurement with activated turbulence mode

- The SNR has to be > 15 dB with deactivated turbulence mode.
- The signal gain with activated turbulence mode is min. 3 dB smaller than with deactivated turbulence mode. For this purpose, the signal gain must be measured in each case at flow velocities at the operating point where strong turbulence is suspected.

If these criteria are fulfilled, the specified measurement uncertainty can also be met with activated turbulence mode.

If they are not fulfilled, the measurement with deactivated turbulence mode is to be preferred.

Miscellaneous\Special settings\Turbulence mode

- Select the menu item `Special settings` in the menu `Miscellaneous`.
- Press ENTER until the menu item `Turbulence mode` is displayed.
- Select `On` to activate the turbulence mode. Select `Off` to deactivate it. Select `Default` if no customized inputs are to be made.
- Press ENTER.

13.1.3 Settings for steam measurement

In the menu item `Use satur. steam curve` it is possible to select whether the saturation pressure is to be calculated from the temperature or the saturation temperature from the pressure during the steam measurement.

```
Miscellaneous\Special settings\Use satur. steam curve
```

- Select the menu item `Miscellaneous\Special settings`.
- Press ENTER until the menu item `Use satur. steam curve` is displayed.
- Select `Tf -> Pf`, if the fluid pressure has to be calculated from the fluid temperature. Select `Pf -> Tf`, if the fluid temperature has to be calculated from the fluid pressure. Select `No` if the pressure and temperature are independently available.
- Press ENTER.

If `Tf -> Pf` or `Pf -> Tf` is selected, the information concerning the calculated quantity will be displayed in the menu `Parameters` after the fluid temperature or fluid pressure has been entered.

13.1.4 Cut-off flow

The cut-off flow is a lower limit for the flow velocity. All measured flow velocities that are below the limit are set to zero. The cut-off flow can depend on the flow direction.

```
Calibration\Cut-off flow
```

- Select the menu item `Calibration\Cut-off flow`.
- Press ENTER.
- Select `Off` if no value is to be entered for the cut-off flow.
- Select `Default` if no customized inputs are to be made (default: ± 25 mm/s).
- Select `Customized` to define the values of the cut-off flow for the positive and negative flow direction.
- Press ENTER.

```
Calibration\Cut-off flow\Customized\+Cut-off flow
```

All values of the flow velocity for the positive flow direction below this limit are set to zero.

- Enter the cut-off flow.
- Press ENTER.

```
Calibration\Cut-off flow\Customized\ -Cut-off flow
```

All values of the flow velocity for the negative flow direction (as absolute value) below this absolute limit are set to zero.

- Enter the cut-off flow as absolute value.
- Press ENTER.

13.1.5 Multi-point calibration

It is possible to enter a series of measured values in order to define a calibration curve for the flow velocity.

Record of a series of measured values:

- Start a measurement with the transmitter and a reference flowmeter.
- Gradually increase the value of the flow velocity. The measuring range of values has to be identical with the eventual operating range.
- Note or store the measured values.

Input of a series of measured values:

- Activate the multi-point calibration in the menu item `Miscellaneous\Measurement\Measurement settings`.
- Select the menu item `Multi-point calibration` in the menu `Calibration`.
- Press ENTER.

```
Calibration\Multi-point calibration
```

- Select `Yes` to define the calibration curve. Select `No` to measure without calibration.
- Press ENTER.

```
Calibration\Multi-point calibration\Calibration points
```

- Enter the number of pairs of measured values.
- Press ENTER.

```
Calibration\Multi-point calibration\Point x=act. value
```

- Enter the measured value of the transmitter.
- Press ENTER.

```
Calibration\Multi-point calibration\Point x=set value
```

- Enter the measured values of the reference flowmeter.
- Press ENTER.
- Repeat the input for all pairs of measured values.
- Press ENTER after each input.

```
Calibration\Multi-point calibration\Bidirectional use
```

- Select `Yes` to apply the calibration curve for negative flow velocities as well. Select `No` if it is not to be used for negative flow velocities.

13.2 ExpertUser mode

Some menu items that are not visible in the StandardUser mode are displayed.

Notice!

The ExpertUser mode is intended for experienced users with advanced application knowledge. Changed parameters can affect the StandardUser mode and lead to wrong measured values or to a measurement failure when setting up a new measuring point.

Notice!

Some of the defined parameters remain activated when switching to the StandardUser mode. These parameters are displayed but cannot be changed.

13.2.1 Profile correction

It is possible to select the following versions for the calculation of the fluid mechanic calibration factor k_{Re} :

- `kRe 1.0`: profile correction (previous version)
- `kRe 2.0`: improved profile correction (current version)
- `kRe 2.0 disturb. corr.`: improved profile correction at non ideal inflow conditions for the positive flow direction (negative flow direction without disturbance correction, default)
- `kRe 2.0 dist.corr.bidir.`: improved profile correction at non ideal inflow conditions for the positive and negative flow direction (automatic toggling of the profile correction depending on the flow direction)

The following steps are necessary to set the profile correction:

- selection of the profile correction version in the menu `Miscellaneous`

If `kRe 2.0 disturb. corr.` or `kRe 2.0 dist.corr.bidir.` is selected:

- selection of the disturbance in the menu `Parameters`
- input of the disturbance distance in the menu `Parameters`

For the disturbance distance, the ends of the disturbance are the reference points for measuring the respective disturbance distances, as shown in Tab. 3.2.

Notice!

If `kRe 2.0 disturb. corr.` or `kRe 2.0 dist.corr.bidir.` has been selected, the transducers have to be mounted in reflection arrangement, X arrangement or displaced X arrangement to compensate cross-flow effects.

Selection of the version

```
Miscellaneous\Measurement\Measurement settings\Profile correction
```

- Select the menu item `Measurement\Measurement settings` in the menu `Miscellaneous`.
- Press ENTER until the menu item `Profile correction` is displayed.
- Select a list item (default: `kRe 2.0 disturb. corr.`).
- Press ENTER.

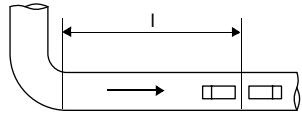
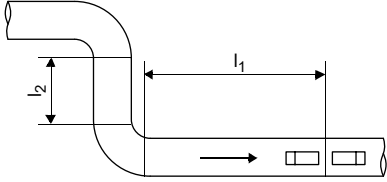
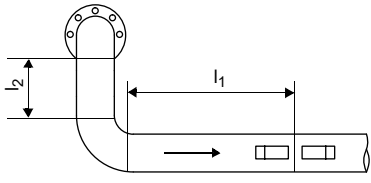
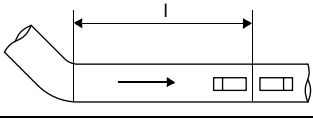
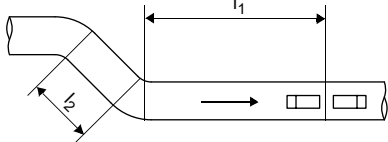
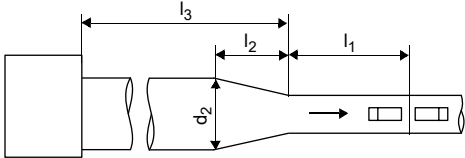
Selection of the disturbance

```
Parameters\Disturbance type
```

- Select a list item.
- Press ENTER.

If `kRe 2.0 disturb. corr.` or `kRe 2.0 dist.corr.bidir.` is selected, the disturbance parameters have to be entered.

Tab. 13.2: Disturbance parameters

disturbance type	parameter	description
90° elbow	Disturbance distance (l)	
90° double elbow	Disturbance distance (l_1) Dist. between elbows (l_2)	
90° doub.elb. out of plane	Disturbance distance (l_1) Dist. between elbows (l_2)	
45° elbow	Disturbance distance (l)	
45° double elbow	Disturbance distance (l_1) Dist. between elbows (l_2)	
Reducer	Disturbance distance (l_1) Reducer length (l_2) Inlet outer diameter (d_2) additional with reducer with upstream disturbance Add. disturb. distance (l_3) Add. upstream disturb. (e.g., 90° elbow) upstream disturbance parameters	

13.2.2 Max. signal gain

In order to prevent disturbing and/or pipe wall signals (e.g., if the pipe has run empty) from being interpreted as useful signals, it is possible to define a max. signal gain.

If the signal gain is greater than the max. signal gain:

- the physical quantity cannot be determined and the measured value is marked as invalid
- a hash symbol will be displayed after the unit of measurement (in case of a normal error, an interrogation point is displayed)

```
Miscellaneous\Special settings\Max. gain
```

- Select the menu item `Special settings` in the menu `Miscellaneous`.
- Press ENTER until the menu item `Max. gain` is displayed.
- Select `Off` if no limit of the signal gain is to be used.
- Select `Default` if no customized inputs are to be made.
- Select `Customized` to define a limit for the max. gain.
- Press ENTER.
- Enter a value for the max. signal gain.
- Press ENTER.

13.2.3 Pipe signal detection

When evaluating the plausibility of the signal, it is checked whether the sound speed is within a defined range. The absolute threshold of the fluid sound speed used is calculated from the greatest of the following values:

- absolute threshold, default value: 1848 m/s
- value of the sound speed curve of the fluid at the operating point plus relative threshold, default relative threshold: 200 m/s

```
Miscellaneous\Special settings\Pipe signal detection
```

- Select the menu item `Special settings` in the menu `Miscellaneous`.
- Press ENTER until the menu item `Pipe signal detection` is displayed.
- Select `Off` to measure without pipe signal detection.
- Select `Default` if no customized inputs are to be made and the default values are to be used.
- Select `Customized` to define the values of the pipe signal detection.
- Press ENTER.

```
Miscellaneous\Absolute threshold
```

- Enter the value of the absolute threshold.
- Press ENTER.

```
Miscellaneous\Relative threshold
```

- Enter the value for the relative threshold.
- Press ENTER.

Example

absolute threshold: 2007 m/s

relative threshold: 600 m/s

value of the sound speed curve at the measuring point: 1546 m/s

As $1546 \text{ m/s} + 600 \text{ m/s} = 2146 \text{ m/s}$ is greater than the absolute value 2007 m/s, this value will be used as the absolute limit of the sound speed when the plausibility of the signal is evaluated.

13.2.4 Limit of the flow velocity

Single outliers caused by heavily disturbed surroundings can appear among the measured values of the flow velocity. If these outliers are not ignored, they will affect all derived physical quantities, which will be unsuitable for the integration (e.g., pulse outputs).

In the ExpertUser mode it is possible to enter a limit for the flow velocity.

It is possible to ignore all measured flow velocities higher or lower than the preset limit. In this case an error will be output.

Calibration\Flow velocity limit

- Select the menu item `Flow velocity limit` in the menu `Calibration`.
- Press ENTER.
- Select `Off` if no limit for the flow velocity is to be used.
- Select `Default` if no customized inputs are to be made.
- Select `Customized` to define a limit for the flow velocity.
- Press ENTER.

Calibration\+Flow velocity limit

- Enter a limit of the flow velocity for the measurement in flow direction.
- Press ENTER.

If the flow velocity is higher than this limit, it will be marked as invalid. The physical quantity cannot be determined. `UNDEF` will be displayed.

Calibration\ -Flow velocity limit

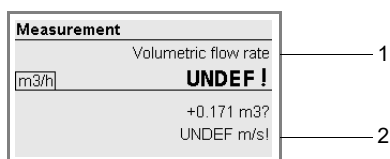
- Enter a limit of the flow velocity for the measurement against the flow direction.
- Press ENTER.

If the flow velocity is lower than this limit, it will be marked as invalid. The physical quantity cannot be determined. `UNDEF` will be displayed.

Notice!

If the limit of the flow velocity `+Flow velocity limit` is too low or `-Flow velocity limit` is too high, a measurement might be impossible because most of the measured values will be marked as invalid.

Fig. 13.1: Flow velocity outside the valid range



- 1 – physical quantity
- 2 – flow velocity

13.2.4.1 Measuring point specific profile correction

In special cases a measuring point specific profile correction can be used.

Calibration\Profile correction

- Select the menu item `Profile correction` in the menu `Calibration`.
- Press ENTER.
- Select `Off` to deactivate the profile correction.
- Select `Default` to use the global setting from the menu item `Miscellaneous\Measurement settings\Profile correction` for the profile correction.
- Select `Customized` to use a measuring point specific profile correction.
- Press ENTER.

In case the list item `Customized` has been selected, the parameters of the measuring point specific profile correction will now be displayed. The parameters of the profile correction are preferably transmitted to the transmitter via the service interface but can also be entered here.

13.3 SuperUser mode and SuperUser ext. mode

Some menu items that are not visible in the `StandardUser` or `ExpertUser` mode are now displayed.

In the `SuperUser ext. mode` it is not possible to carry out any plausibility test of the entered parameters.

Notice!

The `SuperUser` and `SuperUser ext. mode` is intended for experienced users with advanced application knowledge. Changed parameters can affect the `StandardUser` mode and lead to wrong measured values or to a failure of the measurement when setting up a new measuring point.

Notice!

Some of the defined parameters remain activated when switching to the `StandardUser` mode. These parameters are displayed but cannot be changed.

13.3.1 Pig detection

This function detects pigs inside the pipe. The pig detection can be activated/deactivated via the HotCode **007028** (default: deactivated).

If the list item `2 meas. points (A|B)` is selected in the menu item `Parameters\Measuring point config.`, the pig detection can be activated or deactivated differently from the global device setting for a measuring point.

Miscellaneous\Special settings\Pig detection

- Select the menu item `Special settings` in the menu `Miscellaneous`.
- Press ENTER until the menu item `Pig detection` is displayed.
- Select `Global settings` if the measurement is to be carried out using the global settings of the transmitter.
- If the pig detection is deactivated in the global device settings and the measurement is to be carried out with pig detection on a measuring channel, select `On` for this measuring channel.
- Press ENTER.
- If the pig detection is activated in the global device settings and the measurement is to be carried out without pig detection on a measuring channel, select `Off` for this measuring channel.
- Press ENTER.

13.3.2 Pipe wall calibration for Lamb wave transducers

The parameter record of a measuring channel for Lamb wave transducers has a calibration factor for the uncorrected flow velocity. This calibration factor depends on the pipe material.

The pipe wall calibration for Lamb wave transducers becomes effective if the following criteria are met when starting a measurement:

- Lamb wave transducers are used
- pipe wall calibration is activated
- a factor for the pipe material is defined and selected from the menu `Parameters`

The factor can be activated in the transmitter.

If the list item `2 meas. points (A|B)` is selected in the menu item `Parameters\Measuring point config.`, the pipe wall calibration can be activated for each measuring point.

`Calibration\LWT pipe wall calibr.`

- Select the menu item `Calibration\LWT pipe wall calibr.`
- Press ENTER.
- Select `Off` to measure without pipe wall calibration.
- Select `Default` if no customized inputs are to be made.
- Select `On` to define the values for the pipe wall calibration.
- Press ENTER.

13.3.3 Linear calibration

It is possible to define a correction of the flow velocity:

$$v_{\text{cor}} = m \cdot v + n$$

where

- v – measured flow velocity
- m – factor, range: -2...+2
- n – offset, range: -12...+12 cm/s
- v_{cor} – corrected flow velocity

All quantities derived from the flow velocity will be calculated with the corrected flow velocity.

Notice!

It will not be displayed during the measurement that the correction of the flow velocity is activated.

`Calibration\Linear calibration`

- Select the menu item `Linear calibration` in the menu `Calibration`.
- Press ENTER.
- Select `Off` to measure without linear calibration.
- Select `Default` if no customized inputs are to be made.
- Select `On` to define the values for the calibration.
- Press ENTER.

`Calibration\Factor`

- Enter the factor for the linear calibration.
- Press ENTER.

Calibration\Offset

- Enter the offset for the linear calibration.
- Press ENTER.

Example

factor: 1.1

offset: -10 cm/s = -0.1 m/s

If a flow velocity $v = 5$ m/s is measured, before the calculation of the derived quantities it will be corrected as follows:

$$v_{\text{cor}} = 1.1 \cdot 5 \text{ m/s} - 0.1 \text{ m/s} = 5.4 \text{ m/s}$$

Example

factor: -1

offset: 0

Only the sign of the measured values changes.

13.3.4 Weighting factor

The weighting factor is used for transducers installed on the same pipe in order to compensate differences between the measured values of the flow velocity of different measuring channels.

The differences can be caused by profile deformations or cross-flows. These influences can be reduced by averaging the measured values of several channels. However, if a measuring channel has a temporary malfunction, the average will change abruptly. In order to avoid these changes, all measuring channels have to be adjusted with the weighting factor.

The weighting factor for the measuring channel x results from the flow velocity v_x measured on this channel and the average flow velocity v_m of all measuring channels:

$$w_x = \frac{v_m}{v_x}$$

The weighting factor can be activated in the transmitter.

If the list item 1 meas. point (AB) or Channel-based param. is selected in the menu item Parameters\Measuring point config., the weighting factor can be activated individually for each measuring channel.

Calibration\Weighting factor

- Select the menu item Calibration\Weighting factor.
- Press ENTER.
- Select Off to measure without the weighting factor.
- Select Default if no customized inputs are to be made.
- Select On to define the weighting factor.
- Press ENTER.

13.3.5 Transducer temperature and transducer temperature violation as diagnostic value

When configuring outputs, the list items `Diagnostic values` and `Transducer temp.` are available in the menu item `Transd. temp. violat.`. The diagnostic values can either be transmitted via the output of the transmitter or defined as source of the event trigger.

Outputs\...\Source item

- Select `Diagnostic values` as source item.
- Press ENTER.
- Select a list item for the quantity to be output.
- Press ENTER.

Tab. 13.3: Source item `Diagnostic values`

source item	list item	output
Diagnostic values	Transducer temp.	average temperature of both transducers
	Transd. temp. violat.	status information: yes/no

13.3.6 Activation of measuring channels

Installation>Select channels

The measuring channels can be activated and deactivated.

- : the measuring channel is activated
- : the measuring channel is deactivated

This display will not be indicated if transmitter owns only 1 measuring channel or if the list item `1 meas. point (A)` in the menu item `Parameters\Measuring point config.` is selected.

- Select a measuring channel with `4` or `6`.
- Press `2` or `8` to activate or deactivate the measuring channel.

13.3.7 Channel-based parametrization

Parameters\Measuring point config.\Channel-based param.

- Select the list item `Channel-based param.` in the menu item `Parameters\Measuring point config.`
- Press ENTER.
- Select the measuring channel for which the parameters are to be entered.
- Press ENTER.

For the description of further inputs, see section 9.1.

The parameter input has be realized for each measuring channel.

13.3.8 Calculation channels

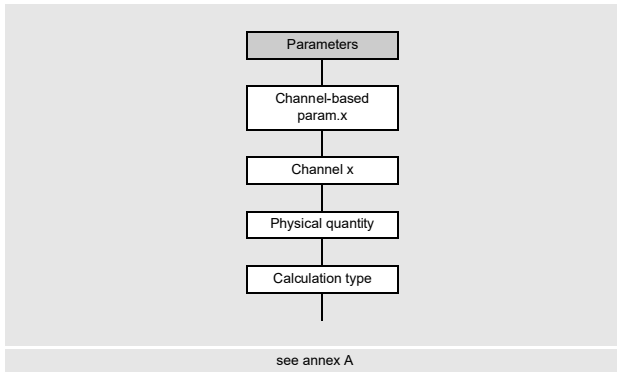
Notice!

Calculation channels are only available if the transmitter has more than one measuring channel.

In addition to the ultrasonic measuring channels, the transmitter has 2 virtual calculation channels Y and Z which calculate the measured values of all measuring channels.

The result of the defined calculation function is the measured value of the selected calculation channel. This measured value is equivalent to the measured values of a measuring channel. All operations which are possible with the measured values of a measuring channel (totalizing, storing, output, etc.) can also be done with the measured values of a calculation channel.

13.3.8.1 Characteristics of the calculation channels



The measuring channels to be used for calculation and the calculation function have to be entered in the menu `Parameters`.

It is possible to define 2 cut-off flows for each calculation channel. The cut-off flow is not based on the flow velocity as is the case with the measuring channels. Instead, it is defined in the unit of measurement of the physical quantity selected for the calculation channel. During the measurement, the calculation values are compared with the cut-off values and set to zero, if necessary.

13.3.8.2 Parametrization of a calculation channel

```
Parameters\Measuring point config.\Channel-based param.\Channel Y
```

- Select the list item `Channel-based param.` in the menu item `Parameters\Measuring point config.`
 - Press ENTER.
 - Select a calculation channel (here: `Channel Y`).
 - Press ENTER.
- The current calculation function is displayed.
- Press ENTER.

Selection of the calculation type

Tab. 13.4: Calculation types

average (all chan. OK)	average (1 chan. OK)	special
mean with "AND" All measuring channels have to deliver a valid measuring value. calculation function: $Y = (A + B) / 2$	mean with "OR" At least one measuring channel has to deliver a valid measuring value. calculation function: $Y = (A + B) / n$	Each measuring channel selected for calculation can be assigned with a signed value.

If the synchronized channel averaging is activated in the menu item `Miscellaneous\Measurement\Measurement modes\Synch. chan. averag.`, the average can only be selected as calculation type (AND or OR operation).

```
Parameters\Measuring point config.\Channel-based param.\Channel Y\Calculation type
```

- Select a calculation type.
- Press ENTER.
- Assign a measuring channel to each source channel.
- Press ENTER after each selection.

Example

```

calculation type:           special
source channel 1:          Meas. Channel A
sign of source channel 1:  |A|
source channel 2:          Meas. Channel B
sign of source channel 2:  |B|
average:                   1/2 (AND)
linear correction:         Yes
factor:                    1.5 Factor
offset:                    2.0 m/s

calculation function:      1.5 * (|A|+|B|)/2 + 2 m/s

```

Input of limits

It is possible to define limits for the physical quantity for each calculation channel. They are entered in the unit of measurement of the physical quantity selected for the calculation channel.

```
Parameters\...\Calculation type\+Upper limit
```

- Select `No limit` if the calculation channel has to output all positive values without upper limit.
- Press ENTER.
- Select `Set to limit` if the calculation channel has to output the limit when exceeding the upper limit.
- Press ENTER.
- Select `Set to error` if the calculation channel has to output an error (`UNDEF`) when exceeding the upper limit.
- Press ENTER.

```
Parameters\...\Calculation type\ -Upper limit
```

- Select `No limit` if the calculation channel has to output all negative values without upper limit
- Press ENTER.
- Select `Set to limit` if the calculation channel has to output the limit when falling below the upper limit.
- Press ENTER.
- Select `Set to error` if the calculation channel has to output an error (`UNDEF`) when falling below the upper limit.
- Press ENTER.

It is possible to define 2 cut-off flows for each calculation channel. They are entered in the unit of measurement of the physical quantity selected for the calculation channel.

```
Parameters\...\Calculation type\+Cut-off flow
```

- Enter a value for the positive cut-off flow.
- Press ENTER.

All positive calculated values below the limit are set to zero.

```
Parameters\...\Calculation type\ -Cut-off flow
```

- Enter a value for the negative cut-off flow as absolute value.
- Press ENTER.

All negative calculated values (as absolute value) below the limit are set to zero.

13.3.8.3 Measurement with calculation channels

- Select the menu `Installation`.
- Press ENTER.

```
Installation>Select channels
```

- Activate the necessary channels. Calculation channels are activated or deactivated the same way as measuring channels.
- Press ENTER.

Notice!

If a measuring channel that is needed for an activated calculation channel is deactivated, no value is output for the calculation channel.

13.3.8.4 Extended diagnostics

The extended diagnostic serves to detect errors on individual measuring channels. The values of the extended diagnostics can either be transmitted via the outputs of the transmitter or defined as source of the event triggers.

Assignment of an output

- Select the menu `Outputs`.
- Press ENTER.

```
Outputs\Current I1(-)
```

- Select the output to be assigned to the calculation channel (here: `Current I1(-)`).
- Press ENTER.

The scroll list contains all available outputs of the transmitter.

If the output has already been assigned to a channel, it is displayed as follows: `Current I1 (Y)`.

```
Outputs\Current I1\I1 Enable
```

- Select `Yes` to change the settings for an already assigned output or to assign a new output.
- Select `No` to cancel the assignment and to return to the previous menu item.
- Press ENTER.

Selection of the calculation channel

```
Outputs\Channel Y
```

- Select the calculation channel (here: `Channel Y`).
- Press ENTER.

Assignment of a source item

A source item has to be assigned to each selected output.

```
Outputs\Channel Y\...\Source item
```

- Select `Extended diagnostics` as source item.
- Press ENTER.
- Select a list item for the quantity to be output.
- Press ENTER.

Tab. 13.5: Source item Extended diagnostics

source item	list item	output
Extended diagnostics	Valid channels	percentage of physical channels, with valid measuring state
	Δ (Sound speed)	path difference of the sound speed
	Δ (Flow velocity)	path difference of the flow velocity
	Δ (Gain)	path difference of the signal gain
	Δ (Amplitude)	path difference of the signal amplitude
	Δ (Quality)	path difference of the signal quality
	Δ (SNR)	path difference of SNR
	Δ (SCNR)	path difference of SCNR
	Δ (VariAmp)	path difference of the amplitude variation
Δ (VariTime)	path difference of the transit time variation	

The list item `Valid channels` will not be displayed if a binary output was selected as output.

The status of a path difference is OK if a measured value for calculation is available on at least 2 measuring channels.

Definition of an event trigger

```
Functions\Channel Y
```

- Select a calculation channel in the menu `Functions`, for which an event trigger is to be enabled (here: `Channel Y`).
- Press ENTER.
- Select the menu item `Event trigger`.
- Press ENTER.

```
Functions\Channel Y\Event trigger\Rx(-)
```

- Select the event trigger.

If the event trigger has already been enabled, it is displayed as follows: `R1 (+)`.

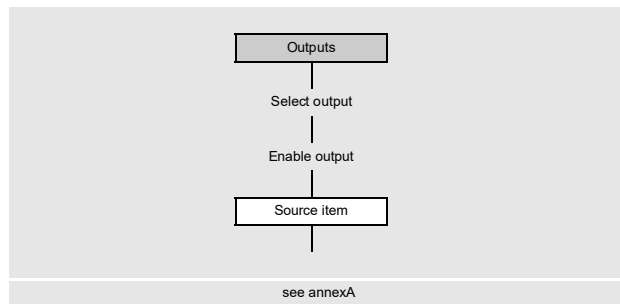
```
Functions\Channel Y\Event trigger\Rx Enable
```

- Select `Yes` to change the settings for an already assigned event trigger or to assign a new one.
- Select `No` to cancel the assignment and to return to the previous menu item.
- Press ENTER.

```
Functions\Channel Y\Event trigger\Rx Enable\Source item
```

- Select the source item `Extended diagnostics`.
- Press ENTER.
- Select the list item for which a condition is to be defined.
- Press ENTER.

14 Outputs



If the transmitter is equipped with outputs, they have to be configured. For the configuration of the analog output, see section 9.2.

The transmitter can also be equipped with digital outputs. A digital output combines the functions of the following outputs:

- binary output (output of binary switching conditions)
- pulse output (integrating output of quantities)
- frequency output (scaled output of flow quantities)

These functions depend on the selected physical quantity.

Tab. 14.1: Output via digital outputs

	source item	binary output		pulse output	frequency output
		status value	event value		
physical quantities	Sound speed	x			x
	Flow quantities	x			x
	Totalizers	x			x
	Pulse			x	
	Fluid properties	x			x
	Diagnostic values				x
	Miscellaneous	x			x
events	Event trigger		x		

14.1 Configuration of a digital output as binary output

A binary output switches if one of the following switching conditions is met:

- the measured value exceeds or falls below a limit
- the measured value lays within or outside a defined range
- a measurement is not possible
- an event occurs

Enabling the output

If the output has to be used, it has to be enabled.

```
Outputs\Digital output B1(-)
```

- Select the menu item `Outputs\Digital output B1(-)`.
- Press ENTER.

If the output has already been enabled, it is displayed as follows: `Digital output B1 (√)`.

```
Outputs\Digital output B1\B1 Enable
```

- Select `Yes` to enable the output or to change the settings.
- Select `No` to cancel the enabling and to return to the previous menu item.
- Press ENTER.

Assignment of an output

Outputs\Digital output B1\B1 Enable>Select meas. point

- Select the measuring point.
- Press ENTER.

This display will only be indicated if 2 meas. points (A|B) is selected for the configuration of the measuring point.

Assignment of a source item

A source item has to be assigned to each selected output.

Outputs\Source item

Tab. 14.2: Output of status values or event values

	source item	status value	event value
physical quantities	Flow quantities	X	
	Fluid properties	X	
	Miscellaneous	X	
	Sound speed	X	
	Totalizers	X	
events	Event trigger		X

- Select the source item.
- Press ENTER.
- Select the list item Status.
- Press ENTER.

If Event trigger is selected as source item, Idle state will be displayed as property of the binary output.

14.1.1 Definition of the switching function for the status/event value

- Select the switching function for the output of the status/event value.
- Press ENTER.

Tab. 14.3: Selection of the switching condition

property	switching function	description
Status OK (status value)	NC	<ul style="list-style-type: none"> • valid measured value: binary output is closed • invalid measured value: binary output is open
	NO	<ul style="list-style-type: none"> • valid measured value: binary output is open • invalid measured value: binary output is closed
Idle state (event value)	NO	<ul style="list-style-type: none"> • event occurs: binary output is closed • event has not occurred yet: binary output is open
	NC	<ul style="list-style-type: none"> • event occurs: binary output is open • event has not occurred yet: binary output is closed

If no measurement is carried out, all binary outputs are open (de-energized), independent of the set switching condition.

Terminal assignment

```
Outputs\Digital output B1\...\Output info
```

The terminals for the connection of the output are displayed.

By pressing or further information is displayed.

- Press ENTER.

Output function test

The function of the output can now be tested.

- Connect a multimeter to the output.

```
Outputs\...\B1 Test signal
```

- Select **Yes** to test the output. Select **No** to display the next menu item.
- Press ENTER.

```
Outputs\...\B1 Enter test value
```

- Select a list item as test value.
- Press ENTER.

Tab. 14.4: Output function test – signal

list item	description
NC	<ul style="list-style-type: none"> • binary output is energized • measured value has to be low ohmic
NO	<ul style="list-style-type: none"> • binary output is de-energized • measured value has to be high ohmic

- Select **Repeat** to repeat the test or **Finish** to display the next menu item.
- Press ENTER.

```
Outputs\...\B1 Test measuring range
```

- Select **Yes** to test the status of the output signal. Select **No** to display the next menu item.
- Press ENTER.

```
Outputs\...\B1 Enter test value
```

- Select a list item as test value.
- Press ENTER.

Tab. 14.5: Output function test – measuring range

list item	switching function	test value	description
Status OK (status value)	NC	Status OK	<ul style="list-style-type: none"> • binary output is energized • measured value has to be low ohmic
		Status error	<ul style="list-style-type: none"> • binary output is de-energized • measured value has to be high ohmic
	NO	Status OK	<ul style="list-style-type: none"> • binary output is de-energized • measured value has to be high ohmic
		Status error	<ul style="list-style-type: none"> • binary output is energized • measured value has to be low ohmic
Idle state (event value)	NC	Passive	<ul style="list-style-type: none"> • binary output is energized • measured value has to be low ohmic
		Active	<ul style="list-style-type: none"> • binary output is de-energized • measured value has to be high ohmic
	NO	Passive	<ul style="list-style-type: none"> • binary output is de-energized • measured value has to be high ohmic
		Active	<ul style="list-style-type: none"> • binary output is energized • measured value has to be low ohmic

- Select `Repeat` to repeat the test or `Finish` to display the next menu item.
- Press `ENTER`.

14.2 Configuration of a digital output as pulse output

A pulse output is an integrating output which emits a pulse when the volume or the mass of the fluid which has passed the measuring point reaches a certain value (pulse value).

The integrated quantity is the selected physical quantity. The integration is restarted as soon as the pulse is emitted. Before the activation, the digital output has to be configured.

```
Outputs\Digital output B1\Source item
```

- Select the menu item `Outputs\Digital output B1\Source item`.
- Press `ENTER`.

Assignment of a source item

```
Outputs\Source item\Pulse
```

- Select `Pulse` as source item.
- Press `ENTER`.

```
Outputs\Pulse\Pulse +V
```

- Select a list item (here: `Pulse +V`).
- Press `ENTER`.

Tab. 14.6: Selection of the physical quantity

source item	list item	output
Pulse	Pulse V	pulse without considering the sign of the volumetric flow rate
	Pulse +V	pulse for positive measured values of the volumetric flow rate
	Pulse -V	pulse for negative measured values of the volumetric flow rate
	Pulse m	pulse without considering the sign of the mass flow rate
	Pulse +m	pulse for the positive measured values of the mass flow rate
	Pulse -m	pulse for the negative measured values of the mas flow rate

14.2.1 Pulse output by defining the pulse value

Outputs\Pulse output

- Select the list item `Pulse value`.
- Press ENTER.

The pulse output can be operated in 2 modes:

mode	description
Continuous pulses	<ul style="list-style-type: none"> • output of a continuous pulse sequence, reproducing the temporal behavior of the corresponding flow quantity (volumetric flow rate, mass flow rate), at simultaneous totalizing • smallest pulse break = pulse width at max. pulse rate (pulse width is constant)
Burst pulses	<ul style="list-style-type: none"> • output of a discontinuous pulse sequence, reproducing the behavior of the totalizer • several pulses can arise intermittently with equidistant pulse distances (pulse break = pulse width) • serves exclusively for totalizing • max. pulse rate (depends on the pulse width that is constant)

- Select a list item.
- Press ENTER.

Outputs\Pulse value

- Enter the pulse value.

The unit of measurement will be displayed according to the actual physical quantity.

When the counted physical quantity reaches the entered pulse value, a pulse will be transmitted.

- Press ENTER.

Outputs\Pulse width

- Enter the pulse width.

The range of possible pulse widths depends on the specification of the instrument (e.g., counter, PLC) that is to be connected to the output.

- Press ENTER.

14.2.2 Pulse output by defining pulses per unit

Outputs\Pulse output

- Select the list item `Pulses per unit`.
- Press ENTER.

Outputs\Output range

- Select a list item:

- 0...1 kHz
- 0...5 kHz
- Other range

- Press ENTER.

If `Other range` is selected, enter a value for `Output MAX`.

Outputs\Pulses per unit

- Enter the number of pulses per unit.
- Press ENTER.

The unit of measurement will be displayed according to the actual physical quantity.

14.2.3 Output options

Outputs\Idle state

- Select the setting of the idle state:

setting	description
NO	The pulse output is energized if a pulse is emitted and de-energized if no pulse is emitted (idle state).
NC	The pulse output is de-energized if a pulse is emitted and energized if no pulse is emitted (idle state).

If no measurement is carried out, all pulse outputs are open (de-energized), independent of the set switching condition.

Terminal assignment

Outputs\...\Output info

The terminals for the connection of the output are displayed.

By pressing 2 or 8 further information is displayed.

- Press ENTER.

Output function test

```
Outputs\...\B1 Test signal
```

- Select **Yes** to test the status of the output signal. Select **No** to display the next menu item.
- Press **ENTER**.

```
Outputs\...\B1 Enter test value
```

- Select a list item as test value.
- Press **ENTER**.

Tab. 14.7: Output function test – signal

output mode	test value	description
Pulses per unit	The entered test value has to be within the output range.	If the external measuring instrument displays the entered value, the output functions correctly.
Pulse value	NO	<ul style="list-style-type: none"> • pulse output is de-energized • measured value has to be high ohmic
	NC	<ul style="list-style-type: none"> • pulse output is energized • measured value has to be low ohmic

14.3 Configuration of a digital output as frequency output

The frequency output emits a square wave signal with a frequency which is proportional to the measured value of the source item sent to the output.

```
Outputs\Digital output B1\Source item
```

- Select the menu item `Outputs\Digital output B1\Source item`.
- Press **ENTER**.

Assignment of a source item

- Select one of the following source items:
 - Flow quantities
 - Totalizers
 - Fluid properties
 - Diagnostic values
 - Miscellaneous
 - Sound speed

```
Outputs\Flow quantities
```

- Select a list item (here: `Flow quantities`).
- Press **ENTER**.

```
Outputs\Volumetric flow rate
```

- Select a list item (here: `Volumetric flow rate`).
- Press **ENTER**.
- Select the list item `Values`.
- Press **ENTER**.

Output range

Outputs\...\Output range

- Select a list item.

- 0...1 kHz
- 0...10 kHz
- Other range

- Press ENTER.

If `Other range` is selected, enter the values `Output MIN` and `Output MAX`.

Error output

Outputs\...\Error value

An error value can be defined which is output if the source item cannot be measured.

- Select a list item for the error output.
- Press ENTER.

Measuring range

The sign of the measured value and the measuring range are determined.

Outputs\...\Measured values\Absolute value

- Select `Sign` if the sign of the measured values is to be considered for the output.
- Select `Absolute value` if the sign of the measured values is not to be considered for the output.

Outputs\...\Start of meas. range

- Enter the lowest expected measured value. The unit of measurement of the source item will be displayed.
- `Start of meas. range` is the value assigned to the value `Output MIN` of the output range.

Outputs\...\End of meas. range

- Enter the highest expected measured value. The unit of measurement of the source item will be displayed.
- `End of meas. range` is the value assigned to the value `Output MAX` of the output range.

Idle state

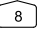
The idle state is the status of the output signal to be output when no measured value is measured.

- Select a list item for the idle state.
- Press ENTER.

Terminal assignment

Outputs\...\Output info

The terminals for the connection of the output are displayed.

By pressing  or  further information is displayed.

- Press ENTER.

Output function test

The function of the output can now be tested.

- Connect an external measuring instrument to the terminals of the installed output.

```
Outputs\...\Test signal
```

- Select **Yes** to test the output. Select **No** to display the next menu item.
- Press **ENTER**.

```
Outputs\...\Enter test value
```

- Enter a test value. It has to be within the output range.
- Press **ENTER**.

If the external measuring instrument displays the entered value, the output functions correctly.

- Select **Repeat** to repeat the test or **Finish** to display the next menu item.
- Press **ENTER**.

```
Outputs\...\Test measuring range
```

- Select **Yes** to test the assignment of the measured value to the output signal. Select **No** to display the next menu item.
- Press **ENTER**.

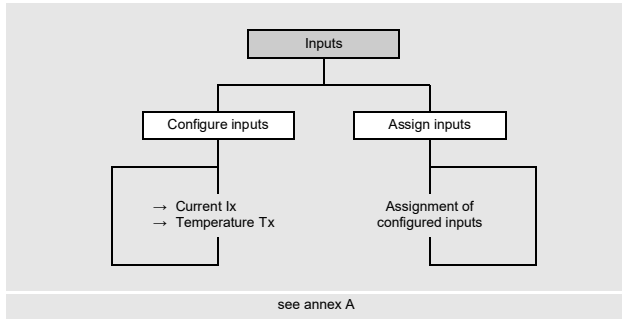
```
Outputs\...\Enter test value
```

- Enter a test value. It has to be within the output range.
- Press **ENTER**.

If the external measuring instrument displays the entered value, the output functions correctly.

- Select **Repeat** to repeat the test and **Finish** to finish it.
- Press **ENTER**.

15 Inputs



15.1 Configuration of an input

If the transmitter is equipped with inputs, they have to be configured.

- Select the menu item `Configure inputs` in the menu `Inputs`.
- Press `ENTER`.

```
Inputs\Configure inputs
```

- Select the input to be configured.
- Press `ENTER`.

The scroll list contains all available inputs.

- `Current Ix (-)`
- `Temperature Tx (-)`

If the input has already been configured, it is displayed as follows: `Current I1 (✓)`.

Enabling the input

To use the input, it has to be enabled (here: `Current I1`).

```
Inputs\Configure inputs\Current I1\I1 Enable
```

- Select `Yes` to enable an input or change the settings for an already enabled input.
- Select `No` to uninstall an already configured input and to return to the previous menu item.
- Press `ENTER`.

15.1.1 Current inputs

When configuring the current inputs, the source item can now be selected and the input and measuring range is defined.

Selection of the source item

```
Inputs\...\Source item
```

- Select the source item.

Input range

```
Inputs\...\Input range
```

- Select a list item:

- `0...20 mA`
- `4...20 mA`
- `Other range`

- Press `ENTER`.

If `Other range` is selected, enter the values `Input MIN` and `Input MAX`.

Measuring range

```
Inputs\...\Start of meas. range
```

- Enter the lowest expected measured value. The unit of measurement of the source item will be displayed. `Start of meas. range` is the physical quantity assigned to the lower limit of the input range (`Input MIN`).
- Enter the highest expected measured value. The unit of measurement of the source item will be displayed. `End of meas. range` is the physical quantity assigned to the higher limit of the input range (`Input MAX`).

Input of an error value

```
Inputs\...\Error value
```

It is possible to define an error value which is output if the source item is not available.

- Select `Yes` if an error value is to be defined.
- Press `ENTER`.
- Enter the error value.
- Press `ENTER`.

15.1.2 Temperature inputs

When configuring a temperature input, the temperature probe can now be selected.

Selection of the temperature probe

```
Inputs\Configure inputs\Temperature Tx\Pt100/Pt1000
```

- Select the temperature probe:
 - `Pt100`
 - `Pt1000`

Activation of the temperature correction

A temperature correction (offset) can be set for each temperature input. This function is activated in the menu item `Miscellaneous\Dialogs/Menu/Tx temperature offset`.

```
Miscellaneous\Dialogs/Menu/Tx temperature offset
```

- Select the menu item `Miscellaneous\Dialogs/Menu`.
- Press `ENTER` until the menu item `Tx temperature offset` is displayed.
- Select `Yes` to activate the temperature correction. Select `No` to deactivate it.
- Press `ENTER`.

Notice!

The entered correction value for each temperature input will be stored and displayed when the temperature correction is activated again.

The correction value is automatically added to the measured temperature. It is used e.g., if the characteristic curves of the two temperature probes differ considerably from each other or a known and constant temperature gradient exists between the measured temperature and the actual temperature.

Input of the temperature correction

```
Inputs\Temperature offset
```

- Select `Yes` to enter an offset for the temperature input.
- Press `ENTER`.
- Enter the offset for the temperature input.
- Press `ENTER`.

15.1.3 Definition of a switching condition

If a transmitter function is to be performed by remote control, a switching condition has to be defined.

Inputs\...\Trigger value

- Select **Yes** if a switching condition is to be defined. Select **No** to display the next menu item.
- Press **ENTER**.

Inputs\...\Function

- Select a list item:
 - **MAX (x>limit)**: the switching condition is met when the measured value exceeds the limit
 - **MIN (x<limit)**: the switching condition is met when the measured value falls below the limit
 - **ERR (x=fail)**: the switching condition is met when a measurement is not possible
 - **Within range**: the switching condition is met when the measured value is within the defined range
 - **Out of range**: the switching condition is met when the measured value is outside the defined range
- Press **ENTER**.

Inputs\...\Trigger value

- Enter the limit for the switching condition.
 - Press **ENTER**.
- This display will only be indicated if **MAX (x>limit)** or **MIN (x<limit)** is selected.

Inputs\...\Hysteresis

It is possible to define a hysteresis to avoid constant switching of the event trigger.
The event trigger is activated when the measured value exceeds the upper limit and deactivated when it falls below the lower limit.

- Enter the value for the hysteresis.
- If zero is entered, no hysteresis is used.
- Press **ENTER**.
- This display will only be indicated if **MAX (x>limit)** or **MIN (x<limit)** is selected.

Inputs\...\Range center

- Enter the center of the switching range.
 - Press **ENTER**.
- This display will only be indicated if **Within range** or **Out of range** is selected.

Inputs\...\Range width

- Enter the width of the switching range.
 - Press **ENTER**.
- This display will only be indicated if **Within range** or **Out of range** is selected.

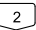
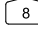
Inputs\...\Glitch interval

- Enter a time interval at the end of which the event trigger has to switch.
- Press **ENTER**.

15.1.4 Terminal assignment

```
Inputs\...\Input info
```

The terminals for the connection of the input are displayed.

By pressing  or  further information is displayed.

- Press ENTER.

15.1.5 Function test of the input

The function of the installed input can now be tested.

Analog input

- Connect the signal source to the input.

```
Inputs\...\I1 Test signal
```

- Select **Yes** to test the input signal. Select **No** to display the next menu item.
- Press ENTER.

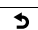
```
Inputs\...\I1 Test signal\Current
```

- If the transmitter displays a value (here: **Current**), the input functions correctly.
- Press ENTER.
- Select **Repeat** to repeat the test or **Finish** to display the next menu item.
- Press ENTER.

```
Inputs\...\I1 Test measuring range
```

- Select **Yes** to test the assignment of the measured value to the input signal. Select **No** to display the next menu item.
- Press ENTER.

```
Inputs\...\I1 Test measuring range\Current
```

- If the transmitter displays a value (here: **Current**), the input functions correctly.
- Press ENTER.
- Select **Repeat** to repeat the test or **Finish** to display the next menu item.
- Press ENTER.
- Press  to return to the main menu.

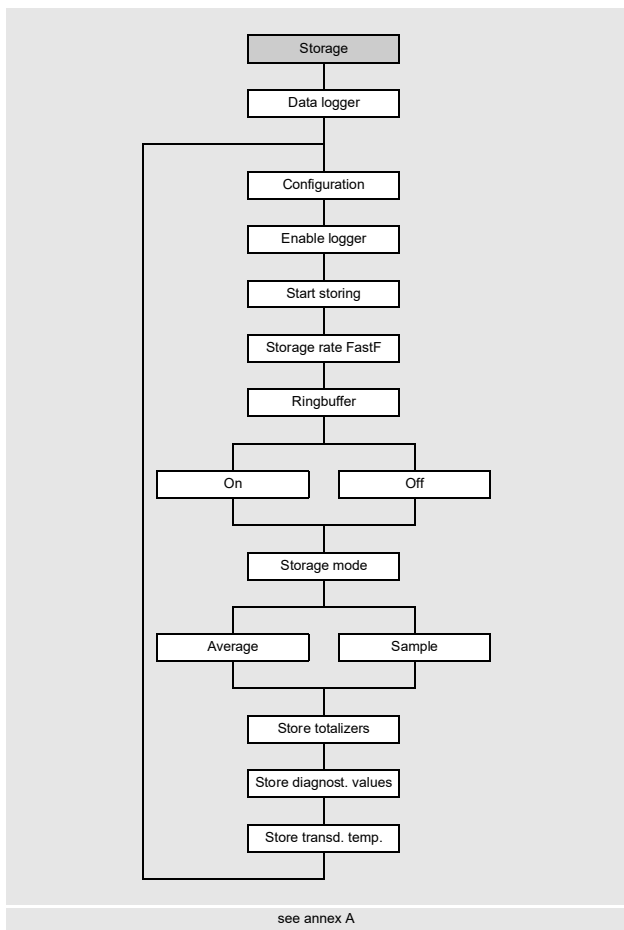
15.2 Assignment of an input

- Select the menu item **Assign inputs** in the menu **Inputs**.
- Press ENTER.

```
Inputs\Assign inputs
```

- Select a physical quantity in the scroll list.
- Press ENTER.
- Select the input via which the physical quantity is to be entered. Only configured inputs are displayed in the scroll list.
- Select the list item **No linkage** if no input is to be assigned to the physical quantity.
- Press ENTER.

16 Data logger



The transmitter has a data logger which stores the measured values during the measurement.

Notice!

In order to store measured data, the data logger has to be configured.

The following data can be stored:

- date
- time
- measuring point number
- pipe parameters
- fluid parameters
- transducer data
- physical quantity
- unit of measurement
- measured values

Measured values transmitted via the outputs are also stored in the data logger.

If the pulse values are transmitted via an output, the corresponding flow quantity and the totalizer value are stored in the data logger. In case of absolute pulse values, the values of both totalizers are stored.

16.1 Configuration of the data logger

Enabling the data logger

```
Storage\Data logger\Configuration\Enable logger
```

- Select the menu item `Data logger\Configuration` in the menu `Storage`.
- Press ENTER.
- Select `Yes` to enable the data logger.
- Press ENTER.

Starting time

```
Storage\Data logger\Configuration\Start storing
```

It is possible to set a starting time if it is necessary to synchronize the storing of measured values for several transmitters.

- Select the menu item `Storage\Data logger\Configuration`.
- Press ENTER until the menu item `Start storing` is displayed.
- Select the moment at which to start the storing.
- Press ENTER.

display	description
Immediately	The storing starts immediately.
Full 5 minutes	The storing starts in the next full 5 minutes.
Full 10 minutes	The storing starts in the next full 10 minutes.
Full 15 minutes	The storing starts in the next full 15 minutes.
Full 30 minutes	The storing starts in the next full 30 minutes.
Full hour	The storing starts in the next full 60 minutes.
Event-based	The storing starts when a defined event occurs.

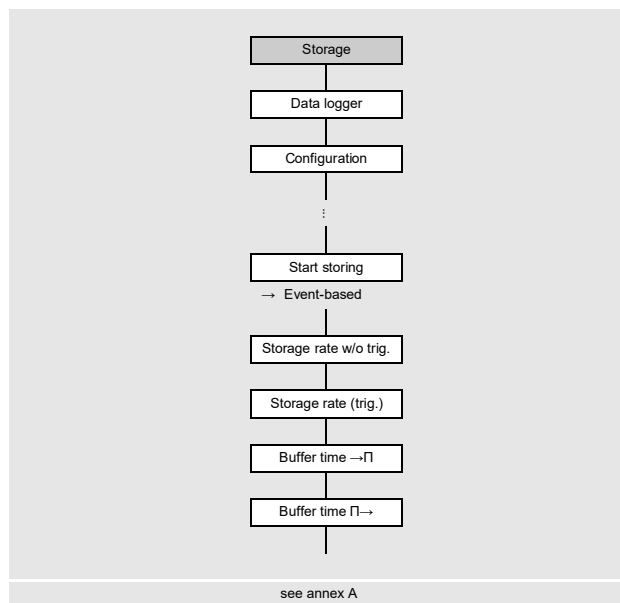
Example

actual time: 09:06 am
 setting: Full 10 minutes
 The storing starts at 09:10 am.

Notice!

Make sure that the time of all transmitters is synchronized.

Event-based starting time



Storage\Data logger\Configuration\Start storing\Event-based

If it is necessary to start the storing of measured values at a particular event, select the list item `Event-based` as starting time.

The event is signaled via an input or event trigger. All configured inputs and event triggers are displayed in the scroll list.

- Select the input or the event trigger through which the event is to be signaled.
- Press ENTER.

Storage\Data logger\Configuration\Start storing\Event-based\Storage rate w/o trig.

The storage rate is the frequency to transmit or store measured values.

- Select in the scroll list a storage rate for storing the measured values in case the event does not occur.
- Press ENTER.
- Select `Off` if no measured values are to be stored, as long as the event does not occur.
- Press ENTER.

```
Storage\Data logger\Configuration\Start storing\Event-based\Storage rate (trig.)
```

- Select in the scroll list a storage rate for storing the measured values in case the event occurs.
- Press ENTER.

```
Storage\Data logger\Configuration\Start storing\Event-based\Buffer time ->Π
```

- Enter the time interval for the measured values to be stored before the event occurs.
- Press ENTER.

```
Storage\Data logger\Configuration\Start storing\Event-based\Buffer time Π->
```

- Enter the time interval for the measured values to be stored if the event is no longer activated.
- Press ENTER.

Storage rate

```
Storage\Data logger\Configuration\Storage rate
```

The storage rate is the frequency to transmit or store measured values. If a start time for storing the measured values is defined, a storage rate has to be entered.

- Select the menu item `Storage\Data logger\Configuration`.
- Press ENTER until the menu item `Storage rate` is displayed.
- Select a storage rate from the scroll list.
- Press ENTER.
- If `Customized` is selected, enter the storage rate.
- Press ENTER.

Storage rate of the FastFood mode

The the storage rate of the FastFood mode is the frequency at which the measured values are stored in the FastFood mode.

```
Storage\Data logger\Configuration\Storage rate FastF
```

This display will only be indicated if the FastFood mode has been activated in the menu item `Miscellaneous\Measurement\Measurement modes`.

- Select the menu item `Storage\Data logger\Configuration`.
- Press ENTER until the menu item `Storage rate FastF` is displayed.
- Select `Automatic` if the storage rate has to correspond to the value of the FastFood measuring rate.
- Press ENTER.
- Select `Customized` if the value for the storage rate is to be defined.
- Press ENTER.
- Enter a value.
- Press ENTER.

Ringbuffer

Storage\Data logger\Configuration\Ringbuffer

The data logger can be configured as linear logger or ringbuffer. If the ringbuffer is deactivated and the data logger is full, the storing of measured values will be terminated. It can be continued after clearing the data logger. If the ringbuffer is activated and the data logger is full, the oldest measured values will be overwritten. In ringbuffer mode, the remaining capacity of the data logger is displayed during the measurement, e.g.:

Log→ : 1d 6h 57m is displayed, if no measured values have been overwritten.

Log|← : 1d 6h 57m is displayed, if the old measured values have been overwritten.

- Select the menu item Storage\Data logger\Configuration.
- Press ENTER until the menu item Ringbuffer is displayed.
- Select On to activate the ringbuffer.
- Press ENTER.

If the ringbuffer is deactivated and the data logger is full, the storing of measured values will be terminated.

- Select Off to deactivate the ringbuffer.
- Press ENTER.

Storage mode

Storage\Data logger\Configuration\Storage mode

- Select the menu item Storage\Data logger\Configuration.
- Press ENTER until the menu item Storage mode is displayed.
- Press ENTER.
- Select Sample to store the current measured value.
- Select Average if the average of all undamped measured values of a storage interval is to be stored.

Notice!

The storage mode does not affect the outputs.

Notice!

Storage mode = Average

The average of the physical quantity and of other quantities, e.g., the measured temperature, will be calculated.

If a storage rate < 5 s is selected, Sample is used.

If no average could be calculated over the complete storage interval, the value is marked as invalid.

Further parameters for storing

It can be defined whether the following parameters are to be stored together with the measured values.

Tab. 16.1: Parameters for storing

display	description of the parameters
Store totalizers	values of the totalizers
Store diagnost. values	diagnostic values
Store transd. temp.	transducer temperature

- Select Yes to store the value. Select No in order not to store the value.

16.2 Deletion of the data logger

Storage\Data logger>Delete meas. values

- Select the menu item Storage\Data logger>Delete meas. values.
- Press ENTER.
- Select **Yes** to delete the measured values.
- Press ENTER.

16.3 Information regarding the data logger

Storage\Data logger\Data logger info

- Select the menu item Storage\Data logger\Data logger info.
- Press ENTER.

The following information regarding the data logger is displayed:

display	description
Activated	data logger is activated/deactivated This display will only be indicated if the measurement has started and the data logger is activated.
Full (date)	date on which the data logger will be full This display will only be indicated if the measurement has started and the ringbuffer is deactivated.
Full (time)	time at which the data logger will be full This display will only be indicated if the measurement has started, the ringbuffer is deactivated and the data logger is not full yet.
Overflow (date)	date from which the oldest measured values will be overwritten This display will only be indicated if the measurement has started, the ringbuffer is activated and the data logger is not full yet.
Capacity (time)	time of remaining data logger capacity This display will only be indicated if the measurement has started and the ringbuffer is activated.
Ringbuffer	ringbuffer is activated/deactivated
Meas. val. Series	number of stored series of measured values

17 Data transmission

The data is transmitted via the service interface (USB) or the process interface (option) of the transmitter.

17.1 Service interfaces

By means of the program FluxDiagReader it is possible to transmit via service interfaces (USB, LAN) data to the PC.

The following tasks can be carried out:

- read and store measured values, setup settings and snaps
- graphically display measured values
- export of data in csv format

For the operation of FluxDiagReader see the help function of this program.

17.1.1 LAN interface

In order to use the LAN interface it is important to adapt the network parameters. The transmitter supports the internet protocol versions 4 and 6.

Communication\Network

- Select the list item `Network` in the menu item `Communication`.
- Press ENTER.

17.1.1.1 Internet protocol version 6

The transmitter uses the automatic address configuration (SLAAC) to generate 2 individual IPv6 addresses allowing it to be reached in the network.

- link-local address with the prefix "FE80::/64"
With this address, the transmitter can only be reached within its own network segment.
- global address
With this address, the transmitter can be reached worldwide.

- Select the list item `IPv6` to display these IPv6 addresses.
- Press ENTER.

The IPv6 addresses are displayed.

17.1.1.2 Internet protocol version 4

- If the network parameters for IPv4 are to be adjusted, select the list item `IPv4`.
- Press ENTER.

Manual input

- Select `Manual` to enter the network parameters (IP address, subnet mask and standard gateway).

Notice!

The entered network parameters have to accord with the LAN parameters.

Default values in the transmitter:

- IP address: 192.168.0.70
- subnet mask: 255.255.255.0
- standard gateway: 192.168.0.1

Automatic addressing with DHCP

- Select `Automatic` to automatically identify the network parameters (IP address, subnet mask and standard gateway) via a DHCP server.

Notice!

The network parameters can only be automatically identified if the LAN supports DCHP.

- Select the menu item `Communication\Network\IPv4>Show auto config.` to display the automatically identified network parameters.
- Press ENTER.

Notice!

To transmit data from the PC to the transmitter, the program FluxDiag has to be used.

17.2 Process interface

The transmitter can be equipped with a process interface (e.g., Profibus, Modbus). For the connection of the process interface to the transmitter see supplement to operating instruction.

18 Advanced functions

18.1 Totalizers

The total volume or total mass of the fluid at the measuring point can be determined.

There are 2 totalizers, one for the positive and the other for the negative flow direction. The unit of measurement used for totalizing corresponds to the volume or mass unit selected for the physical quantity.

The totalizer values can be displayed in the status line during the measurement.

Tab. 18.1: Key functions

totalizer display	press [8] once during the measurement
freezing of the displayed totalizer value	press [8] for at least 2 s during the measurement
display of the totalizer for the positive flow direction	press [6] once during the measurement
display of the totalizer for the negative flow direction	press [4] once during the measurement
reset of the totalizers to zero	press [2] 3 times during the measurement totalizing will be restarted after pressing the key [8]
	press [8] 3 times during the measurement totalizing will be restarted and displayed immediately

Notice!

If `Channel-based param.` is selected in the menu `Parameters` to configure the measuring point, a keystroke will only influence the totalizers of the measuring channel whose measured values are currently displayed.

18.1.1 Number of decimal places

The values of the totalizers can be displayed with up to 11 places, e.g., 74890046.03. The number of decimal places (max. 4) can be defined.

Storage\Totalizers

- Select the menu item `Totalizers` in the menu `Storage`.
- Press `ENTER`.
- Select `Automatic` if the number of decimal places has to be adjusted automatically.
- Press `ENTER`.

Low totalizer values will initially be displayed with 3 decimal places. If the values of the totalizers are higher, the number of decimal places will be reduced.

max. value	display
$< 10^6$	±0.000 ... ±999999.999
$< 10^7$	±1000000.00 ... ±9999999.99
$< 10^8$	±10000000.0 ... ±99999999.9
$< 10^{10}$	±1000000000 ... ±9999999999

- Select the number of decimal places.
- Press `ENTER`.

The number of decimal places is constant. The max. value of the totalizers decreases with an increasing number of decimal places.

decimal places	max. value	max. display
0	$< 10^{10}$	±999999999
1	$< 10^8$	±9999999.9
2	$< 10^7$	±999999.99
3	$< 10^6$	±99999.999
4	$< 10^5$	±9999.9999

Notice!
 The number of decimal places and the max. value of the totalizers only affect the display.

18.1.2 Detection of long measurement failures

If there are no valid measured values during a long time interval, the totalizers remain unchanged. Behind this value an interrogation point will be displayed.

The time interval can be defined.

Storage\Totalizers\Totalizer timeout

- Select the menu item `Totalizers` in the menu `Storage`.
- Press ENTER until the menu item `Totalizer timeout` is displayed.
- Select `Default` if no customized inputs are to be carried out and the default value of 30 s is to be used.
- Press ENTER.
- Select `Customized` if the time interval is to be defined.
- Press ENTER.
- Enter the time interval.
- Press ENTER.

18.1.3 Totalizer overflow

The overflow behavior of the totalizers can be set:

Without overflow

- The totalizer value increases up to the internal limit of 10^{38} .
- The values will be displayed as exponential numbers ($\pm 1.00000E10$), if necessary. The totalizer can only be reset to zero manually.

With overflow

The totalizer will be automatically reset to zero when reaching ±999999999.

Storage\Totalizers\Overflow behavior

- Select the menu item `Totalizers` in the menu `Storage`.
- Press ENTER until the menu item `Overflow behavior` is displayed.
- Select `Yes` to work with overflow. Select `No` to work without overflow.
- Press ENTER.

Independent of the setting, the totalizers can be reset to zero manually.

Notice!

The overflow of a totalizer influences all output channels, e.g., the data logger and the online transmission of data. The sum of both totalizers (throughput ΣQ) transmitted via an output is no longer valid after one of the totalizers has overflowed for the first time.

18.1.4 Totalizer behavior after the measurement is stopped

It is possible to define the totalizer behavior after the measurement is stopped or after a reset of the transmitter.

```
Storage\Totalizers\Keep totalizers
```

- Select the menu item `Totalizers` in the menu `Storage`.
- Press ENTER until the menu item `Keep totalizers` is displayed.
- Select `Yes` if the values of the totalizers are to be stored and used for the next measurement. Select `No` if the totalizers are to be set to zero.
- Press ENTER.

18.1.5 Totalizer sum

The sum of the totalizers for both flow directions can be displayed in the status line during the measurement.

```
Storage\Totalizers\Show  $\Sigma Q$ 
```

- Select the menu item `Totalizers` in the menu `Storage`.
- Press ENTER until the menu item `Show ΣQ` is displayed.
- Select `Yes` to display the totalizer sum. Select `No` if it is not to be displayed.
- Press ENTER.

18.1.6 Totalizer storing

The totalizer values can be stored now.

```
Storage\Data logger\Configuration
```

- Select the menu item `Storage\Data logger\Configuration`.
- Press ENTER until the menu item `Store totalizers` is displayed.
- Select `Yes`.
- Press ENTER.

18.2 FastFood mode

The FastFood mode allows to measure highly dynamic flows. A continuous adaptation to changing measuring conditions is only partially realized in the FastFood mode.

- The measured values are stored with the storage rate of the FastFood mode.
- The FastFood mode has to be enabled and activated.
- The outputs can still be used. They are updated synchronously with the FastFood measuring rate, independently from the storage rate.

If `2 meas. points (A|B)` is selected in the menu item `Parameters` for the configuration of the measuring point, the following points have to be observed:

- It is not possible to change the measuring channel. The measurement takes place on one channel only. As long as the FastFood mode is activated, no measurement is carried out on the other measuring channels.
- The outputs of the measuring channel activated in FastFood mode can still be used. They are updated synchronously with the FastFood measuring rate, independently from the storage rate.
- Outputs for further measuring channels (multi-channel measurement) transmit an error value.

If the synchronized channel averaging is activated in the menu item `Miscellaneous\Measurement\Measurement modes\Synch. chan. averag.`, this function will not be available.

18.2.1 Enabling/disabling the FastFood mode

Miscellaneous\Measurement\Measurement modes\Enable FastFood

- Select the menu item `Miscellaneous\Measurement\Measurement modes`.
- Press ENTER until the menu item `Enable FastFood` is displayed.
- Select `On` to enable the FastFood mode. Select `Off` to disable it.
- Press ENTER.

If `On` is selected, the menu item `Measuring rate FastF` is displayed. The FastFood measuring rate indicates in which interval measured values are transmitted to the process outputs.

- Select `Default` if no customized inputs are to be made (default: 50 ms).
- Select `Customized` if a value for the FastFood measuring rate is to be entered.
- Enter a value within the range 20...200 ms.
- Press ENTER.

18.2.2 Storage rate of the FastFood mode


The storage rate for the FastFood mode is entered during the configuration of the data logger in the menu item `Storage rate FastF`.

Storage\Data logger\Configuration\Storage rate FastF

- Select the menu item `Storage\Data logger\Configuration`.
- Press ENTER until the menu item `Storage rate FastF` is displayed.
- Select `Automatic` if the storage rate has to correspond to the value of the FastFood measuring rate.
- Press ENTER.
- Select `Customized` if the value for the storage rate is to be defined.
- Press ENTER.
- Enter a value.
- Press ENTER.

18.2.3 Activation/deactivation of the FastFood mode

If the FastFood mode is enabled and a measurement has been started, the normal measuring mode runs at first.

- Press to activate the FastFood mode. The symbol for the FastFood mode  appears in the upper line.
- Press to deactivate the FastFood mode.

The FastFood mode can also be activated/deactivated via a remote function.

18.3 Diagnosis with the help of the snap function

18.3.1 Configuration

By means of the snap function it is possible to store measuring parameters which are useful for the evaluation of measuring results or for diagnostic purposes. The snap function can be configured.

Storage\Snap\Configuration

- Select the menu item `Snap\Configuration` in the menu `Storage`.
- Press ENTER.

Storage\Snap\Configuration\Snap ringbuffer

- Select `Yes` to activate the snap ringbuffer.

If the snap ringbuffer is activated, after taking the 101th, snap the oldest snaps are overwritten. If the ringbuffer is deactivated, up to max. 100 snaps can be stored.

- Press ENTER.


```
Storage\Snap\Configuration\Auto snap
```

- Select **Yes** if the auto snap has to be activated.

If the auto snap is activated, snaps are automatically stored during a measurement failure.

- Press **ENTER**.

```
Storage\Snap\Configuration\Snap on R1
```

- Select **Yes** if an event that releases a snap has been parameterized for the event trigger R1.
- Press **ENTER**.

18.3.2 Taking a snap

```
Measurement\Execute command\Take a snap
```

- Press and hold **C** during the measurement until the menu item **Execute command** is displayed.
- Select the list item **Take a snap**.
- Press **ENTER**.

A snap is taken.

If the measurement is running on several measuring channels, snaps will be taken from all of them.

18.3.3 Information concerning snaps

```
Storage\Snap\Snap info
```

- Select the menu item **Snap\Snap info** in the menu **Storage**.
- Press **ENTER**.

The following information is displayed:

display	description
Stored snaps	number of stored snaps
Snaps left	number of snaps that can still be stored
Ringbuffer	snap ringbuffer activated

18.3.4 Deletion of snaps

```
Storage\Snap>Delete snaps
```

- Select the menu item **Snap>Delete snaps** in the menu **Storage**.
- Press **ENTER**.
- Select **Yes** or **No**.
- Press **ENTER**.

18.4 Modification of the limit for the inner pipe diameter

It is possible to modify the lower limit of the inner pipe diameter for a given transducer type.

Miscellaneous\Pipe diameter MIN

- Select the menu item `Pipe diameter MIN` in the menu `Miscellaneous`.
- Press ENTER.

It is possible to define a min. pipe diameter for all relevant transducer frequencies.

- Select `Default` if no customized inputs are to be made and the default values are to be used.
- Press ENTER.
- Select `Customized` if a min. pipe diameter is to be defined.
- Press ENTER.
- Enter the pipe diameter in mm.
- Press ENTER.

Notice!

If a transducer is used below its recommended inner pipe diameter, a measurement might be impossible.

18.5 Remote functions

Remote functions can be triggered by triggerable analog inputs or event triggers.

In order to define an input for a remote function, it has to be enabled in the menu `Inputs`.

In order to define an event trigger for a remote function, it has to be enabled in the menu item `Functions\Event trigger`.

It is possible to trigger one or more of the following remote functions:

- reset of measured values
- reset of totalizers
- stop of totalizers
- activation of the FastFood mode

Triggerable inputs and event triggers

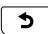
The remote function is triggered if the switching condition is met. The remote function is reset as soon as the switching condition is not longer met.

18.5.1 Configuration of the remote function

Functions\Remote functions

- Select the menu item `Remote functions` in the menu `Functions`.
- Press ENTER.

In the scroll list of the functions it is displayed whether, and if so, which input or event trigger is assigned to a function.

- Select a list item:
 - Reset meas. val. (-)
 - Reset totalizers (-)
 - Stop totalizers (-)
 - Activate FastF (-)
- Press  to return to the previous menu.

Reset of measured values

- Select the list item `Reset meas. val.`
- Press ENTER.

The measured value output simulates a reposing application for the duration of the signal. The actual measured flow velocity is ignored and the measured value is set to zero. All values of the physical quantity derived from the flow velocity also yield zero.

The transmitter continues the measurement if the condition of the remote function is no longer met.

- Select the input or the event trigger to be used to trigger the selected remote function.
- Press ENTER.
- Select `No linkage` in order to deactivate the remote function.
- Press ENTER.

Totalizer reset

- Select the list item `Reset totalizers.`
- Press ENTER.

The totalizers are set to zero. The totalizers are deactivated for the duration of the signal.

Totalizing starts at zero again, as soon as the condition for the remote function is no longer met.

When the totalizers are reset to zero with the remote function, the character `H` is displayed next to the measured value during the measurement.

- Select the input or the event trigger to be used to trigger the selected remote function.
- Press ENTER.
- Select `No linkage` in order to deactivate the remote function.
- Press ENTER.

Totalizer stop

- Select the list item `Stop totalizers.`
- Press ENTER.

The totalizers are stopped for the duration of the signal.

Totalizing will be continued with the last registered totalizer value if the condition of the remote function is no longer met.

- Select the input or the event trigger to be used to trigger the selected remote function.
- Press ENTER.
- Select `No linkage` in order to deactivate the remote function.
- Press ENTER.

Activation of the FastFood mode

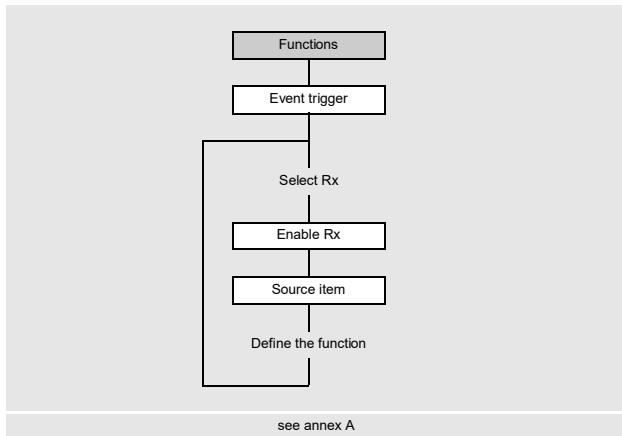
- Select the list item `Activate FastF.`
- Press ENTER.

The FastFood mode is activated for the duration of the signal. It is deactivated as soon as the condition for the remote function is no longer met.

This list item only appears if the FastFood mode is enabled in the menu item `Miscellaneous\Measurement\Measurement modes\FastFood` and `1 meas. point (A)` or `2 meas. points (A|B)` are selected for the configuration of the measuring point.

- Select the input or the event trigger to be used to trigger the selected remote function.
- Press ENTER.
- Select `No linkage` in order to deactivate the remote function.
- Press ENTER.

18.6 Event triggers



It is possible to configure max. 4 independent event trigger R1, R2, R3, R4.

The event triggers can be used, e.g., to:

- output information about the running measurement
- trigger special remote functions
- switch on/off pumps and motors

Functions\Event trigger

- Select the menu item `Event trigger` in the menu `Functions`.
- Press `ENTER`.

Functions\Event trigger\Rx(-)

- Select an event trigger.
- Press `ENTER`.

If an event trigger has already been installed, it is displayed as follows: `Rx (√)`.

Functions\Event trigger\Rx Enable

- Select `Yes` to change the settings for an already assigned event trigger or to assign a new one.
- Select `No` to cancel the assignment and to return to the previous menu item.
- Press `ENTER`.

Functions\Event trigger\Rx Enable\Source item

- Select the source item (physical quantity) for which a condition has to be defined.

Tab. 18.2: Source items

source item	list item	output
Flow quantities	Flow velocity	flow velocity
	Operation vol. flow	operating volumetric flow rate
	Norm vol. flow rate	standard volumetric flow rate
	Mass flow rate	mass flow rate
	Gas energy flow rate ⁽¹⁾	gas energy flow rate

⁽¹⁾ only if `Calculate HHV` is activated in the menu item `Miscellaneous\Measurement\Measurement settings` and a DGM fluid data set has been selected

Tab. 18.2: Source items

source item	list item	output
Totalizers	Volume (+)	totalizer for the volumetric flow rate in positive flow direction
	Volume (-)	totalizer for the volumetric flow rate in negative flow direction
	Volume (Δ)	difference of the totalizers for the positive and negative flow direction
	Standard volume (+)	totalizer for the standard volumetric flow rate in positive flow direction
	Standard volume (-)	totalizer for the standard volumetric flow rate in negative flow direction
	Standard vol. (Δ)	difference of the totalizers for the positive and negative flow direction
	Mass (+)	totalizer for the mass flow rate in positive flow direction
	Mass (-)	totalizer for the mass flow rate in negative flow direction
	Mass (Δ)	difference of the totalizers for the positive and negative flow direction
	Gas energy (+) ⁽¹⁾	totalizer for positive measured values of gas energy
	Gas energy (-) ⁽¹⁾	totalizer for negative measured values of gas energy
Gas energy (Δ) ⁽¹⁾	totalizer difference	
Fluid properties	Fluid temp.	fluid temperature
	Fluid pressure	fluid pressure
	Fluid density	fluid density
	Kin. viscosity	kinematic viscosity
	Dyn. viscosity	dynamic viscosity
	Norm. density	density at reference temperature
	Compress. coeff.	gas compressibility coefficient
	Molar mass	molar mass of the GDM fluid data set
	Ratio of CO ₂	ratio of CO ₂ of the DGM fluid data set
	Ratio of N ₂	ratio of N ₂ of the DGM fluid data set
	HHV per mass ⁽¹⁾	higher heating value (mass-related)
HHV per volume ⁽¹⁾	higher heating value (volume-related)	
Diagnostic values	Amplitude	signal amplitude
	Quality	signal quality
	SNR	signal-to-noise ratio
	SCNR	signal-to-correlated noise ratio
	VariAmp	amplitude variation
	VariTime	transit time variation
	Gain	gain required to receive a useful signal
	Pig detection	signals whether a pig is detected This display will only be indicated if Pig detection is activated.

⁽¹⁾ only if Calculate HHV is activated in the menu item Miscellaneous\Measurement\Measurement settings and a DGM fluid data set has been selected

Tab. 18.2: Source items

source item	list item	output
Miscellaneous	Custom. Input 1 Custom. Input 2 Custom. Input 3 Custom. Input 4	measured values of input quantities (e.g., temperature, density) which are not used for calculation In the menu item Inputs\Assign inputs it is possible to assign configured inputs to customized inputs.
Sound speed	Sound speed Sound speed (Δ)	measured sound speed in the fluid difference of the measured sound speed and the sound speed calculated from the fluid data

⁽¹⁾ only if Calculate HHV is activated in the menu item Miscellaneous\Measurement\Measurement settings and a DGM fluid data set has been selected

Afterwards the properties of the event trigger are defined.

Tab. 18.3: Properties of the event trigger

property	setting	description
Function (switching condition)	MAX (x>limit)	The event trigger switches when the measured value exceeds the upper limit.
	MIN (x<limit)	The event trigger switches when the measured value falls below the lower limit.
	ERR (x=fail)	The event trigger switches when a measurement is not possible.
	Within range	The event trigger switches when the measured value is within the defined range.
	Out of range	The event trigger switches when the measured value is outside the defined range.
Type (holding behavior)	Non-hold	When the switching condition is no longer met, the event trigger returns to the idle state after approx. 1 s.
	Hold	The event trigger remains activated even when the switching condition is no longer met.
	Hold for a while	The event trigger remains activated during a defined time even when the switching condition is no longer met.

Definition of the switching condition

Functions\Event trigger\Rx Enable\Source item\...\Function

- Select the switching condition.
- Press ENTER.

Definition of the holding behavior

Functions\Event trigger\Rx Enable\Source item\...\Type

- Select the type of the holding behavior.
- Press ENTER.

Definition of trigger limits

```
Functions\Event trigger\Rx Enable\Source item\...\Trigger value
```

The limits are to be entered at which the event trigger has to switch.

- Enter the upper limit MAX ($x > \text{limit}$).
- Press ENTER.
- Enter the lower limit MIN ($x < \text{limit}$).
- Press ENTER.

```
Functions\Event trigger\Rx Enable\Source item\...\Hysteresis
```

It is possible to define a hysteresis to avoid constant switching of the event trigger.

The event trigger is activated when the measured values exceed the upper limit. It is deactivated when the measured values fall below the lower limit.

- Enter the value for the hysteresis.

If zero is entered, no hysteresis is used.

- Press ENTER.

Example

```
MAX ( $x > \text{limit}$ ): 30 m3/h
```

```
Hysteresis: 1 m3/h
```

The event trigger is activated for measured values $> 30.5 \text{ m}^3/\text{h}$ and deactivated for measured values $< 29.5 \text{ m}^3/\text{h}$.

```
Functions\Event trigger\Rx Enable\Source item\...\Range center
```

- Enter the center of the range in which the event trigger has to be switched.
- Press ENTER.

```
Functions\Event trigger\Rx Enable\Source item\...\Range width
```

- Enter the width of the range in which the event trigger has to be switched.
- Press ENTER.

Example

```
Function: Out of range
```

```
Range center: 100 m3/h
```

```
Range width: 40 m3/h
```

The event trigger will switch if the measured value is below $80 \text{ m}^3/\text{h}$ or above $120 \text{ m}^3/\text{h}$.

Definition of the switching delay

```
Functions\Event trigger\Rx Enable\Source item\...\Glitch interval
```

- Enter a time interval after which the event trigger has to switch in case the event occurred.
- Press ENTER.

```
Functions\Event trigger\Rx Enable\Source item\...\Failure delay
```

- Enter a time interval after which the event trigger has to be deactivated in case of a measurement failure.
- Press ENTER.

18.6.1 Apparent switching delay

The measured values and totalizer values will be displayed rounded according to the set number of decimal places. The limits, however, will be compared to the non-rounded measured values. This might cause an apparent switching delay when the measured value changes marginally (less than the visualized decimal places). In this case, the switching accuracy of the event trigger is higher than the accuracy of the display.

18.6.2 Reset and initialization of the event triggers

After an initialization of the transmitter all event triggers are deactivated.

- Press 3 times C during measurement to set all event triggers to the idle state.

Event triggers whose switching condition is still met will be activated again after 1 s. This function is used to reset event triggers of the type HOLD if the switching condition is no longer met.

If a measurement is stopped, all event triggers will be deactivated and the corresponding process outputs will be de-energized, independently of the programmed idle state.

18.6.3 Event trigger during the measurement

An event trigger with the switching condition MAX ($x > \text{limit}$), MIN ($x < \text{limit}$), Within range or Out of range is updated max. once per second to avoid a constant switching of the event trigger (in case the measured values fluctuate around the value of the switching condition).

An event trigger with switching condition ERR ($x = \text{fail}$) is activated during a measurement failure.

An event trigger of the type Non-hold is activated when the switching condition is met. It is deactivated when the switching condition is no longer met. But it remains activated for at least 1 s even when the switching condition is met for a shorter period of time.

An event trigger of the type Hold is activated when the switching condition is met. It remains activated even when the switching condition is no longer met.

An event trigger of the type Hold for a while is activated when the switching condition is met. The time after which the deactivation takes place is defined in the menu item Hold interval.

18.6.4 Status display of the event triggers

Notice!
There is no visual or acoustic indication of event trigger switching.











The state of the event triggers is displayed during the measurement.

- Press 9 to scroll through the second line from below until the event trigger status is displayed.


The status display of the event triggers is structured as follows.

Rx = with X being the number of the event trigger and a pictogram according to Tab. 18.4.


Tab. 18.4: Pictograms for the status display of the event triggers

	no.		Function (switching condition)	Type (holding behavior)	current state
R	<input type="text"/>	=	<input type="text"/>	<input type="text"/>	<input type="text"/>
	1		 MAX ($x > \text{limit}$)	 Non-hold	 deactivated (false state)
	2		 MIN ($x < \text{limit}$)	 Hold	 activated (true state)
	3		 Within range	 Hold for a while	
	4		 Out of range		
			 ERR ($x = \text{fail}$)		

Example

R1 = 


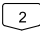
18.7 Event log

If an error occurs, an error message will be displayed in the first line indicating the symbol . The error message can be displayed.

Storage\Event log

- Select the menu item `Event log` in the menu `Storage`.
- Press ENTER.

A list is displayed containing all error messages since the last time the transmitter was switched on.

- Press  and  to select an error message.
- Press ENTER.

The display indicates the cause of the error.

Notice!

After reading out the event protocol the error message symbol will be deleted on the display, even if the error has not been eliminated yet.

The event protocol will be deleted after a restart of the transmitter.

19 Settings

19.1 Dialogs and menus

Miscellaneous\Dialogs/Menu

- Select the menu item Dialogs/Menu in the menu Miscellaneous.
- Press ENTER.

Pipe circumference

Miscellaneous\Dialogs/Menu\Pipe circumference

- Press ENTER until the menu item Pipe circumference is displayed.
- Select Yes if the pipe circumference is to be entered instead of the pipe diameter in the menu Parameters.
- Press ENTER.

If Yes is selected for Pipe circumference, the outer pipe diameter will still be requested in the menu Parameters.

- Press to select the menu item Pipe circumference.
- Press ENTER.

The value displayed in the menu item Pipe circumference is calculated from the last displayed outer pipe diameter.

Example: $100 \text{ mm} \cdot \pi = 314.2 \text{ mm}$

- Enter the pipe circumference. The limits for the pipe circumference are calculated on the basis of the limits for the outer pipe diameter.
- Press ENTER.

During the next scroll through the menus Parameters, the outer pipe diameter that corresponds to the entered pipe circumference will be displayed.

Example: $180 \text{ mm} : \pi = 57.3 \text{ mm}$

Coating

If the pipe has a coating, the material parameters of the coating have to be entered in the menu Parameters.

Miscellaneous\Dialogs/Menu>Edit coating

- Press ENTER until the menu item Edit coating is displayed.
- Select Yes if the pipe has a coating.
- Press ENTER.

Lining 2

If the pipe has a second lining, the material parameters of the second lining have to be entered in the menu Parameters.

Miscellaneous\Dialogs/Menu>Edit Lining 2

- Press ENTER until the menu item Edit Lining 2 is displayed.
- Select Yes if the pipe has 2 linings.
- Press ENTER.

Measuring point number

Miscellaneous\Dialogs/Menu\Measuring point no.

- Press ENTER until the menu item Measuring point no. is displayed.
- Select Number if the measuring point number should only consist of numeric characters. Select Text if the measuring point number should only consist of alphabetic characters.
- Press ENTER.

Error delay

The error delay is the time after which an error value will be sent to an output if no valid measured values are available.

```
Miscellaneous\Dialogs/Menus/Error delay
```

- Press ENTER until the menu item `Error delay` is displayed.
- Select `Edit` to enter an error delay. Select `Damping` if the damping factor is to be used as the error delay.
- Press ENTER.

Temperature correction

```
Miscellaneous\Dialogs/Menus/Tx temperature offset
```

- Press ENTER until the menu item `Tx temperature offset` is displayed.
- Select `Yes` to enable the input of a temperature correction for each temperature input.
- Press ENTER.

Transducer distance

```
Miscellaneous\Dialogs/Menus/Transducer distance
```

- Press ENTER until the menu item `Transducer distance` is displayed.
- Select `Customized` if the measuring point is always the same. Select `Automatic` if the measuring point often changes.
- Press ENTER.

In the menu `Measurement`, the recommended transducer distance will be displayed in parenthesis, below the entered transducer distance.

Sound speed of the reference fluid

```
Miscellaneous\Dialogs/Menus/Compare c fluid
```

- Press ENTER until the menu item `Compare c fluid` is displayed.

Select `Yes` if the difference $\Delta c = c_{\text{mea}} - c_{\text{stored}}$ between the two sound speeds has to be displayed. c_{ref} is the calculated sound speed of the reference fluid at same process conditions (temperature, pressure).

- Press ENTER.

`Compare c fluid` can also be activated or deactivated during the measurement and has an immediate effect on the display of the measured values.

- Press during the measurement to scroll to the display of Δc .

Display of the last value

```
Miscellaneous\Dialogs/Menus/Display last value
```

- Press ENTER until the menu item `Display last value` is displayed.
- Select `Yes` to display the last valid value.
- Press ENTER.

If `Yes` is selected and no valid measured value can be displayed during the measurement, the last valid value will be displayed. Behind this value an interrogation point will be displayed.

Toggle time

If 1 meas. point (AB) or 2 meas. points (A|B) is selected for the configuration of the measuring point in the menu `Parameters`, the time interval can be defined, after which the transmitter toggles between the different measuring channels during the measurement. The default value is 3 s.

```
Miscellaneous\Dialogs\Menu\Toggle time
```

- Press ENTER until the menu item `Toggle time` is displayed.
- Enter a different toggle time value if the default value is no to be used.
- Press ENTER.

This value remains stored until a new toggle time is entered.

Primary display value

```
Miscellaneous\Dialogs\Menu\Primary display value
```

- Press ENTER until the menu item `Primary display value` is displayed.
- Select `Flow quantity` to display the selected physical quantity value as primary value during the measurement. Select `Totalizer` to display the totalizer value as primary value during the measurement.
- Press ENTER.

Switching off the display backlight

```
Miscellaneous\Dialogs\Menu\Light autom. off
```

- Press ENTER until the menu item `Light autom. off` is displayed.
- Select `Yes` to activate the automatic switch-off.
- Press ENTER.

If the automatic switch-off of the display backlight is activated, the backlight is switched off after about 30 s. When pressing a key or connecting a USB cable, the backlight is switched on again.

19.2 Measurement modes

```
Miscellaneous\Measurement\Measurement modes
```

- Select the menu item `Measurement` in the menu `Miscellaneous`.
- Press ENTER.
- Select the menu item `Measurement modes`.
- Press ENTER.

Gas measurement

```
Miscellaneous\Measurement\Measurement modes\Gas measurement
```

- Select `On` to activate the gas measurement and `Off` to deactivate it.
- Press ENTER.

```
Miscellaneous\Measurement\Measurement modes\Reference temp.
```

- Enter the temperature according to the local and valid reference conditions (default: 0 °C).
- Press ENTER.

```
Miscellaneous\Measurement\Measurement modes\Reference pressure
```

- Enter the pressure according to the local reference conditions (default: 1.01325 bar(a)).
- Press ENTER.

Notice!

If gas measurement is deactivated, use the operating instruction UMFLUXUS_F731, see USB drive.

Synchronized channel averaging

```
Miscellaneous\Measurement\Measurement modes\Synch. chan. averag.
```

- Press ENTER until the menu item `Synch. chan. averag.` is displayed.
- Select `On` to activate the synchronized channel averaging. Select `Off` to deactivate it.
- Press ENTER.

FastFood mode

```
Miscellaneous\Measurement\Measurement modes\Enable FastFood
```

- Press ENTER until the menu item `Enable FastFood` is displayed.
- Select `On` to enable the FastFood mode. Select `Off` to disable it.
- Press ENTER.

If the synchronized channel averaging is activated, this display will not be indicated.

19.3 Measurement settings

```
Miscellaneous\Measurement\Measurement settings
```

- Select the menu item `Measurement` in the menu `Miscellaneous`.
- Press ENTER.
- Select the menu item `Measurement settings`.
- Press ENTER.

Multi-point calibration

A multi-point calibration allows a very precise output of measuring results. It is based on calibration curves of series of measured values

```
Miscellaneous\Measurement\Measurement settings\Multi-point calibration
```

- Press ENTER until the menu item `Multi-point calibration` is displayed.
- Select `On` to activate the multi-point calibration. Select `Off` to deactivate it (default: `Off`).
- Press ENTER.

If `On` is selected, a series of measured values has to be entered in the menu item `Calibration\Multi-point calibration`.

Swift damping

If `Swift damping` is activated, each displayed measured value is a floating average of the last `x` seconds, with `x` being the damping factor. The display thus requires `x` seconds to fully respond to flow rate changes.

If `Swift damping` is deactivated, the damping is calculated as first order low-pass filter, i.e. changes of measured values become effective in form of an exponential time course in the measuring result.

```
Miscellaneous\Measurement\Measurement settings\Swift damping
```

- Press ENTER until the menu item `Swift damping` is displayed.
- Select `Off` to deactivate the swift damping. Select `On` to activate it (default: `On`).
- Press ENTER.

Dynamic damping

If dynamic damping is activated, volatile changes in the measured values of the selected physical quantity are transmitted through the transmitter without any time lag.

Important!

The dynamic damping will only have impact on the selected physical quantity. All other physical quantities are not dynamically damped.

Miscellaneous\Measurement\Measurement settings\Dynamic damping

- Press ENTER until the menu item `Dynamic damping` is displayed.
- Select `On` to activate the dynamic damping. Select `Off` to deactivate it (default: `Off`).
- Press ENTER.

If `On` is selected, the dynamic damping has to be parameterized in the menu item `Parameters\Dynamic damping`.

Activation of the HHV calculation

Miscellaneous\Measurement\Measurement settings\Calculate HHV

- Press ENTER until the menu item `Calculate HHV` is displayed.
- Select `Yes` to activate the HHV calculation.
- Press ENTER.

19.4 Units of measurement

It is possible to set the global units of measurement for length, temperature, pressure, sound speed, density and kinematic viscosity.

Miscellaneous\Units of measurement

- Select the menu item `Units of measurement` in the menu `Miscellaneous`.
- Press ENTER.
- Select a unit of measurement for all quantities.
- Press ENTER.

Miscellaneous\Units of measurement\Unit prefix

For better differentiation between the operating volumetric flow rate and the standard volumetric flow rate, the units of measurement can be displayed with a prefix. The unit of measurement of the operating volumetric flow rate is displayed with an A, the unit of measurement of the standard volumetric flow rate with an N or S.

- Select a list item for the setting of the prefix.
- Press ENTER.

Miscellaneous\Units of measurement\Barrel type

In this menu item it is possible to define which barrel type is to be displayed as unit of measurement for the operating volumetric flow rate.

- Select a barrel type.
- Press ENTER.

19.5 Material and fluid scroll list

At delivery, all stored materials and fluids are displayed in the corresponding lists in the menu item `Parameters\Pipe material` or `Parameters\Fluid`.

For the sake of clarity, materials and fluids can be removed from the scroll list. Removed materials and fluids can be added at any time.

Adding or removing materials/fluids

```
Miscellaneous\Libraries\Use material list
```

- Select the menu item `Miscellaneous\Libraries\Use material list`.
- Press ENTER.
- Select `Yes` if a material is to be added to or removed from the material scroll list.
- Press ENTER.
- Press `8` or `2` to scroll through the scroll list.
- Press `6` or `4` to add (+) or remove (-) a material.
- Press ENTER.

Similarly, the fluid scroll list can be adapted (`Miscellaneous\Libraries\Use fluid list`).

Adding all materials/fluids

```
Miscellaneous\Libraries\Use material list
```

- Select the menu item `Miscellaneous\Libraries\Use material list`.
- Press ENTER.
- Select `No` if all materials are to be displayed in the material scroll list.
- Press ENTER.

Similarly, the fluid scroll list can be adapted (`Miscellaneous\Libraries\Use fluid list`).

19.6 Working with parameter records

19.6.1 Introduction

Parameter records are data sets that contain all information necessary to perform a certain measurement task:

- pipe parameters
- transducer parameters
- fluid parameters
- output options

Working with parameter records will make repeated measurement tasks easier and faster. The transmitter can store max. 20 parameter records.

Notice!

No parameter records are stored in the delivery state. Parameter records have to be entered manually.

The parameters have first to be entered in the following menus `Parameters` and `Miscellaneous`. Afterwards, they can be stored as parameter record.

```
Miscellaneous\Param. record memo.
```

- Select the menu item `Param. record memo.` in the menu `Miscellaneous`.
- Press ENTER.
- Select the menu item `Save current record`.
- Press ENTER.

Miscellaneous\Param. record name

- Enter the name the parameter record has to be stored with.
- Press ENTER.

19.6.2 Load of a parameter record

Stored parameter records can be loaded and used for measurement.

Miscellaneous\Param. record memo.\Load param. record

- Select the menu item Load param. record.
- Press ENTER.
- Select the parameter record to be loaded.
- Press ENTER.

19.6.3 Deletion of parameter records

Miscellaneous\Param. record memo.\Delete param. record

- Select the menu item Delete param. record.
- Press ENTER.
- Select the parameter record to be deleted.
- Press ENTER.

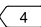
19.7 Contrast settings

Miscellaneous\System settings\Display contrast

- Select the menu item System settings in the menu Miscellaneous.
- Press ENTER.
- Select the menu item Display contrast.
- Press ENTER.

The display contrast is adjusted with the following keys:

 increases the contrast

 reduces the contrast

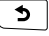
- Press ENTER.

Notice!

After an initialization of the transmitter, the display is reset to medium contrast.

19.8 HotCodes

A HotCode is a digit sequence that activates certain functions and settings.

- Press  for several seconds to return to the beginning of the menu.
- Press C.
- Enter the HotCode via the keyboard. It is not displayed during the input.

function	HotCode
display setting to medium contrast	555000
language selection	9090xx
initialization	909000
activation/deactivation of the flow direction detection	007026
activation/deactivation of the pig detection	007028
select customized natural gas	007029
display of totalizers in the lower line as well	007032

Language selection

The language selection can either be carried out via the menu `Miscellaneous\System settings\Language` or a HotCode:

language	HotCode
English	909044
German	909049
French	909033
Spanish	909034
Dutch	909031
Russian	909007
Polish	909048
Turkish	909090
Italian	909039
Chinese	909086

After the last digit has been entered, the main menu is displayed in the selected language. The selected language remains activated when the transmitter is switched off and on again.

19.9 Key lock

An ongoing measurement can be protected from an inadvertent intervention by means of a key lock.

Definition of a key lock code

- Select the menu item `System settings` in the menu `Miscellaneous`.
- Press ENTER.

Miscellaneous\System settings\Key lock

- Select the menu item `Key lock`.
- Press ENTER.
- Enter a 6-digit key lock code.
- Press ENTER.

Notice!

Do not forget the key lock code!

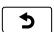
Deactivation of the key lock

Miscellaneous\System settings\Key lock

- Select the menu item `Miscellaneous` in the menu `System settings`.
- Press ENTER.
- Select the list item `Key lock`.
- Press ENTER.
- Enter a 6-digit key lock code.
- Press ENTER.

Intervention in the measurement

If the key lock is activated, the message `Key lock activated` will be displayed for a few seconds when pressing a key. In order to interrupt a measurement, the key lock has to be deactivated.

- Press .
- Select the menu item `System settings\Key lock` in the menu `Miscellaneous`.
- Press ENTER.
- Deactivate the key lock.

Disabled functions with activated key lock

The following table gives an overview of the transmitter functions that are not available when the key lock is activated.

measurement not started	measurement started
<ul style="list-style-type: none"> • parameter input • modification of settings (e.g., measuring modes) • deletion of the data logger • date/time settings • measurement start (start-up) 	<ul style="list-style-type: none"> • settings that can be changed during the measurement (e.g., language selection) • triggering of snaps • toggling to FastFood mode • totalizer stop • totalizer reset • measurement stop

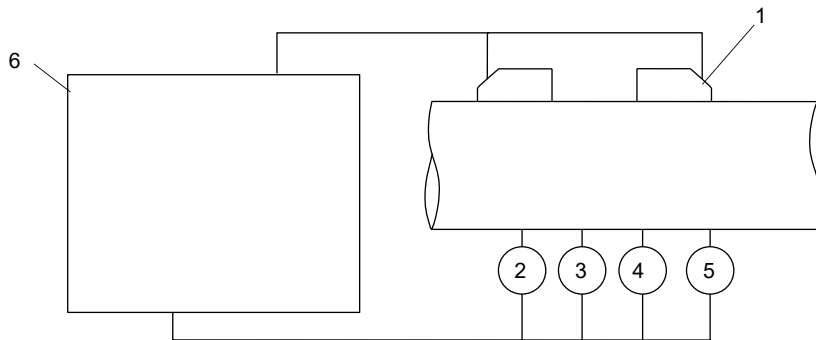
20 Gas energy flow rate determination (optional)

The higher heating value (HHV) of a natural gas, is the energy released during the combustion of a specified amount of natural gas. The gas energy flow rate is the energy of a natural gas that is transported per unit time.

If the transmitter has the option to calculate the higher heating value and also has inputs, the higher heating value and from this the gas energy flow rate for an DGM fluid data set can be calculated. It is possible to calculate the higher heating value per mass or per volume. It is essential to know the ratio of CO₂ and N₂, the operating temperature as well as the operating pressure of the fluid in order to calculate the higher heating value. These quantities can be fed into the transmitter via the inputs. The ratio of CO₂ and N₂ can also be entered into the transmitter manually.

An DGM fluid data set is selected as fluid. The gas energy flow rate can be output as physical quantity together with the fed quantities.

Fig. 20.1: Gas energy flow rate determination during flow measurement



- 1 – transducer
- 2 – temperature probe
- 3 – external pressure sensor
- 4 – CO₂ transducer (provided by customer)
- 5 – N₂ transducer (provided by customer)
- 6 – transmitter

20.1 Calculation of gas energy flow rate (DGM)

The gas energy flow rate is calculated with the following formula:

$$\Phi = \text{HHV}_V \cdot \dot{V}_N = \text{HHV}_m \cdot \dot{m}$$

$$\text{MW} = f(c, T, p)$$

$$\text{HHV}_V = f(c, \text{MW}, \text{CO}_2, \text{N}_2)$$

$$\text{HHV}_m = \rho_N \cdot \text{HHV}_V$$

where

- Φ – gas energy flow rate
- \dot{V}_N – standard volumetric flow rate
- \dot{m} – mass flow rate
- MW – molar mass
- c – sound speed
- CO₂ – ratio of CO₂ in vol%
- N₂ – ratio of N₂ in vol%
- HHV_V – higher heating value (volume-related)
- HHV_m – higher heating value (mass-related)
- ρ_N – standardized density

20.2 Settings for the HHV calculation

Activation of the HHV calculation

```
Miscellaneous\Measurement\Measurement settings\Calculate HHV
```

- Select the menu item `Miscellaneous\Measurement\Measurement settings`.
- Press ENTER until the menu item `Calculate HHV` is displayed.
- Select `Yes` to activate the HHV calculation.
- Press ENTER.

In order to calculate the higher heating value an DGM fluid data set has to be selected in the menu `Parameters`. Enter the ratio of CO_2 and N_2 of the fluid. These can also be fed into the transmitter via the inputs.

Input of the ratio of CO_2 and N_2

```
Parameters\...\Ratio of CO2
```

- Enter the ratio of CO_2 of the fluid.
- Press ENTER.

```
Parameters\...\Ratio of N2
```

- Enter the ratio of N_2 of the fluid.
- Press ENTER.

Feed-in of the CO_2 and N_2 ratio via an input

```
Inputs\Configure inputs\Current I1
```

- Select the menu item `Inputs\Configure inputs`.
- Press ENTER.
- Select the input via which the CO_2 and N_2 ratio is fed into the transmitter (here: `Current I1`).
- Press ENTER.
- Select the list item `Gas ratio`.
- Press ENTER.
- Define the input range.

```
Inputs\Assign inputs
```

- Select the menu item `Inputs\Assign inputs`.
- Press ENTER.

```
Inputs\Assign inputs\Ratio of CO2
```

- Select the list item for the gas ratio to be fed into the transmitter (here: `Ratio of CO2`).
- Press ENTER.
- Select the list item for the corresponding input.
- Press ENTER.

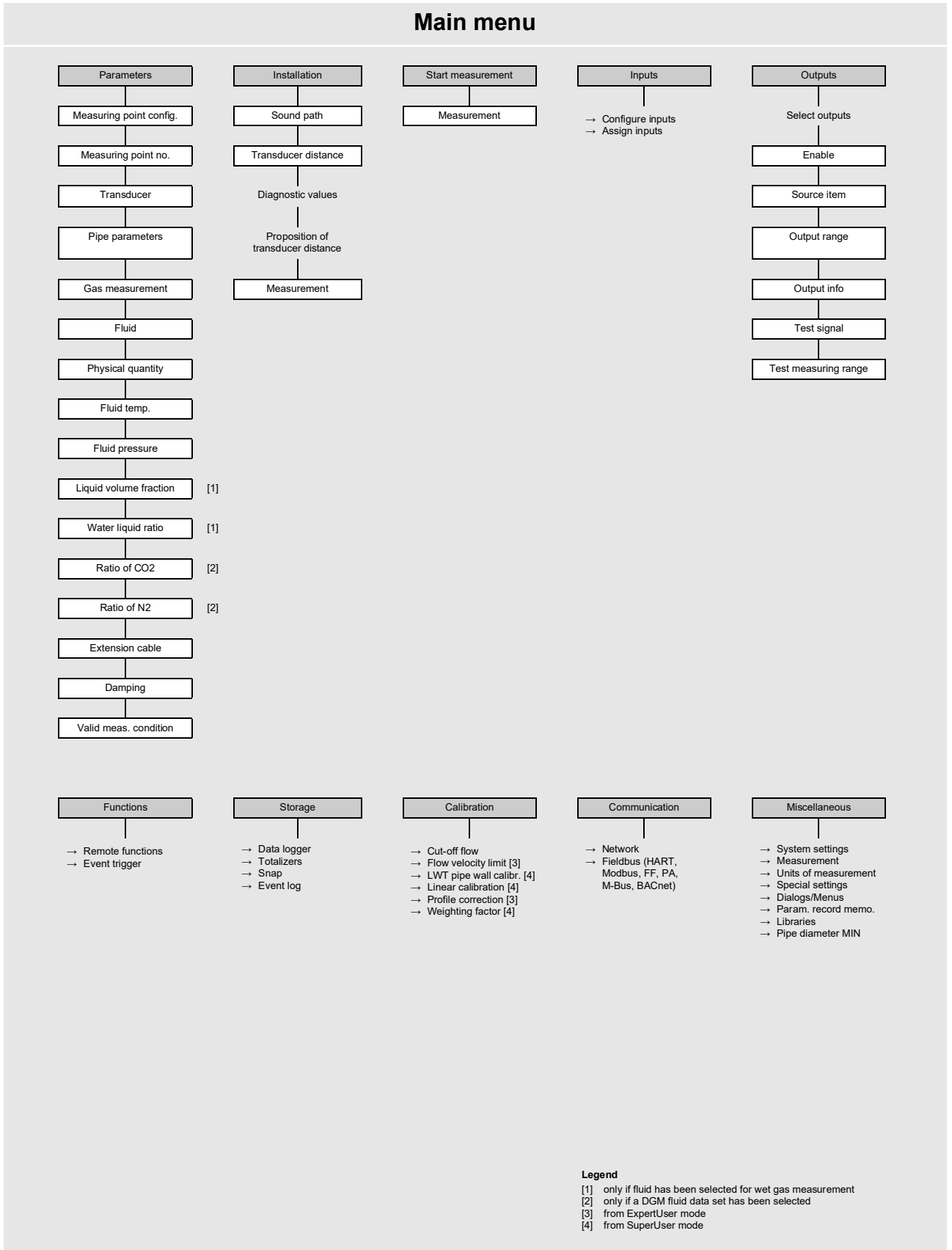
20.3 Definition of the physical quantity and the unit of measurement

Parameters\...\Physical quantity\Gas energy flow rate

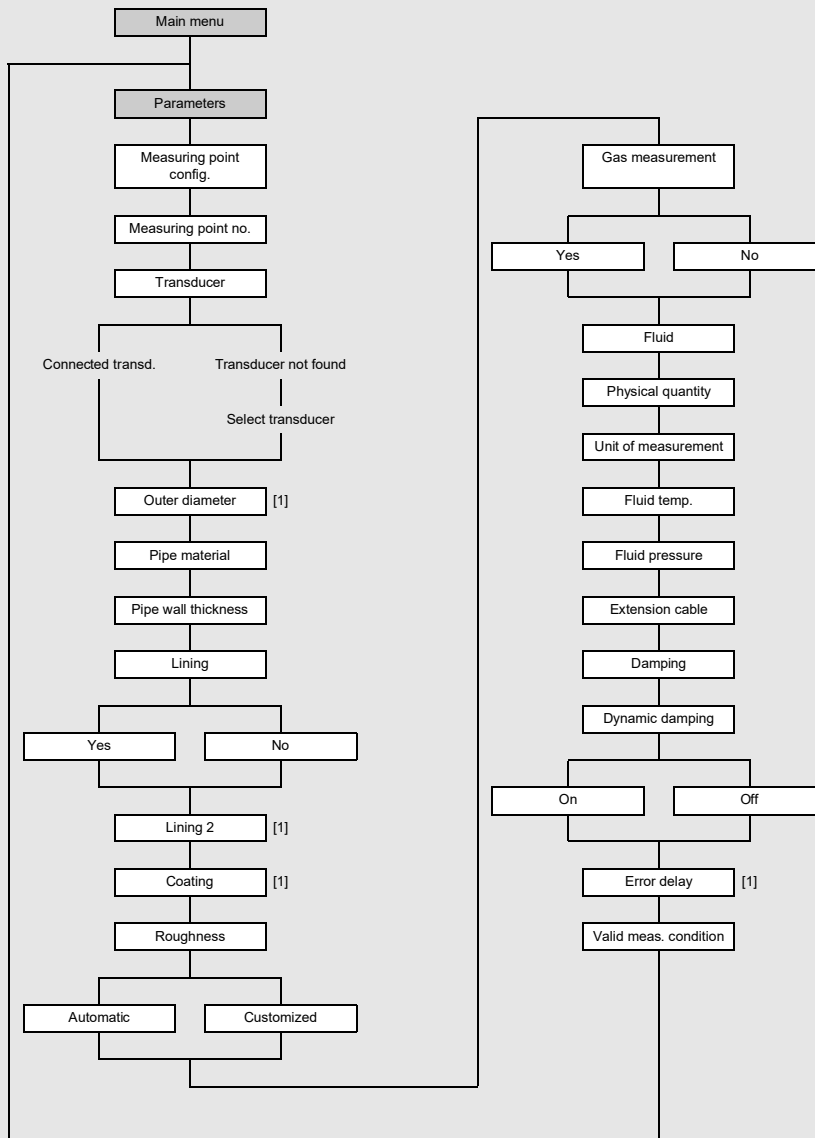
- Select the menu `Parameters`.
- Press `ENTER` until the menu item `Physical quantity` is displayed.
- Select the list item `Gas energy flow rate`.
- Press `ENTER`.
- Select the unit of measurement to be used for the HHV calculation.
- Press `ENTER`.

Annex

A Menu structure

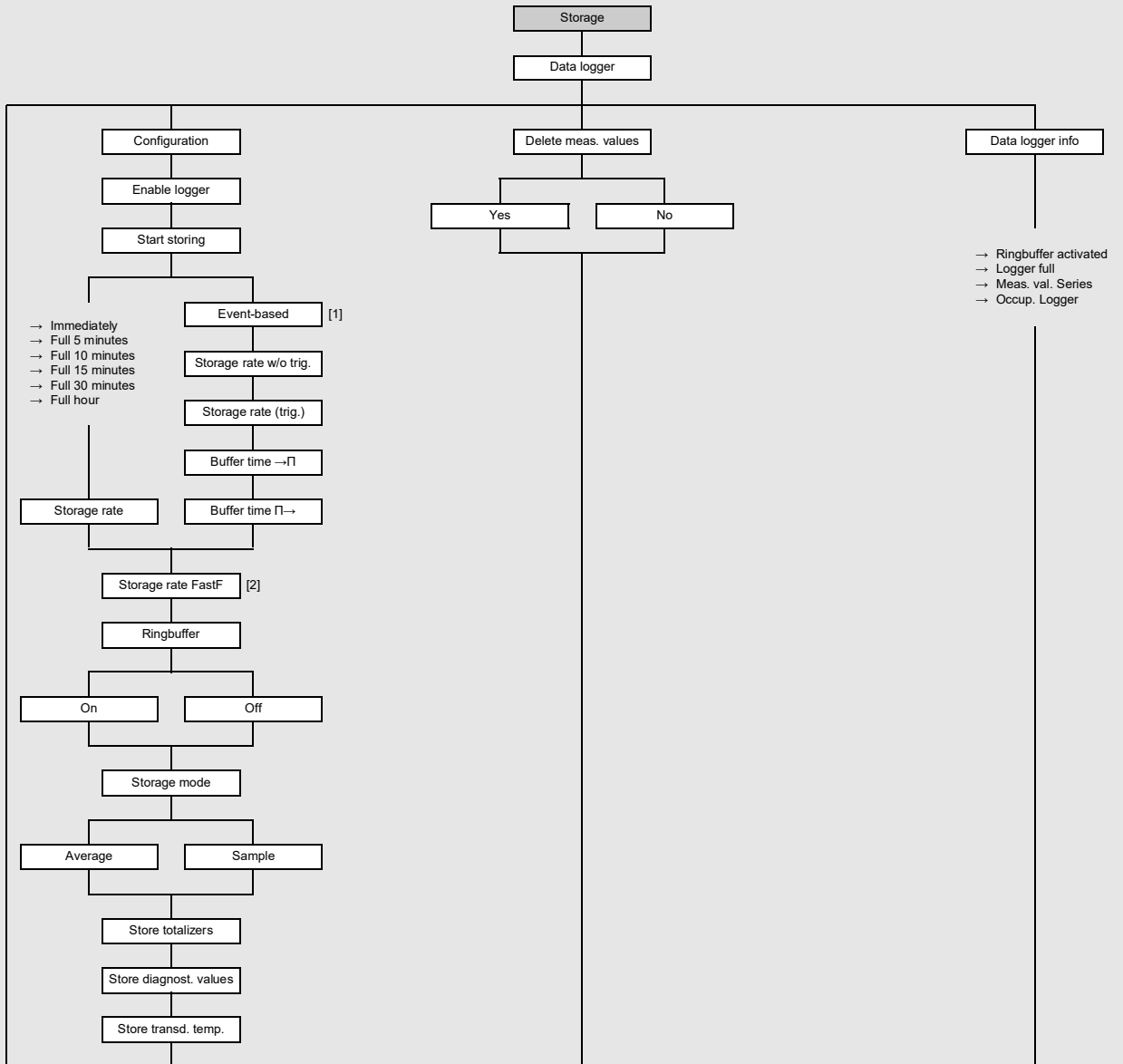


Parameter input



Legend
[1] only if enabled in the menu item Miscellaneous\Dialogs/Menu

Data logger

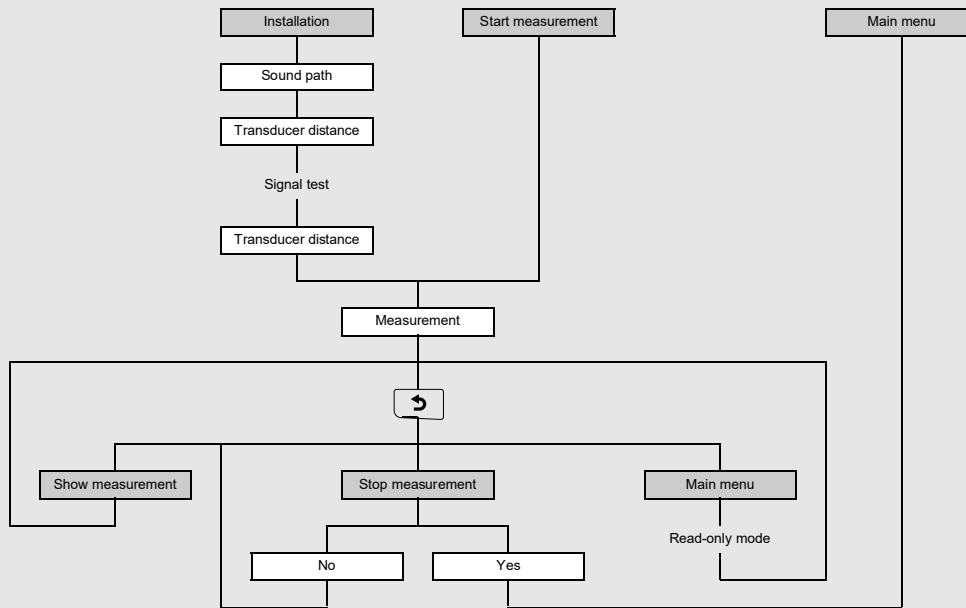


Legend

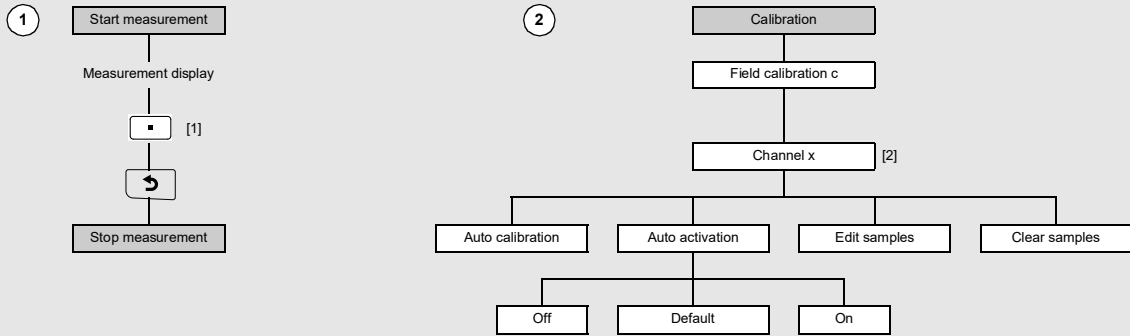
[1] list of parameterized triggerable inputs and event triggers

[2] only if enabled in the menu item *Miscellaneous\Measurement\Measurement modes*

Measurement start



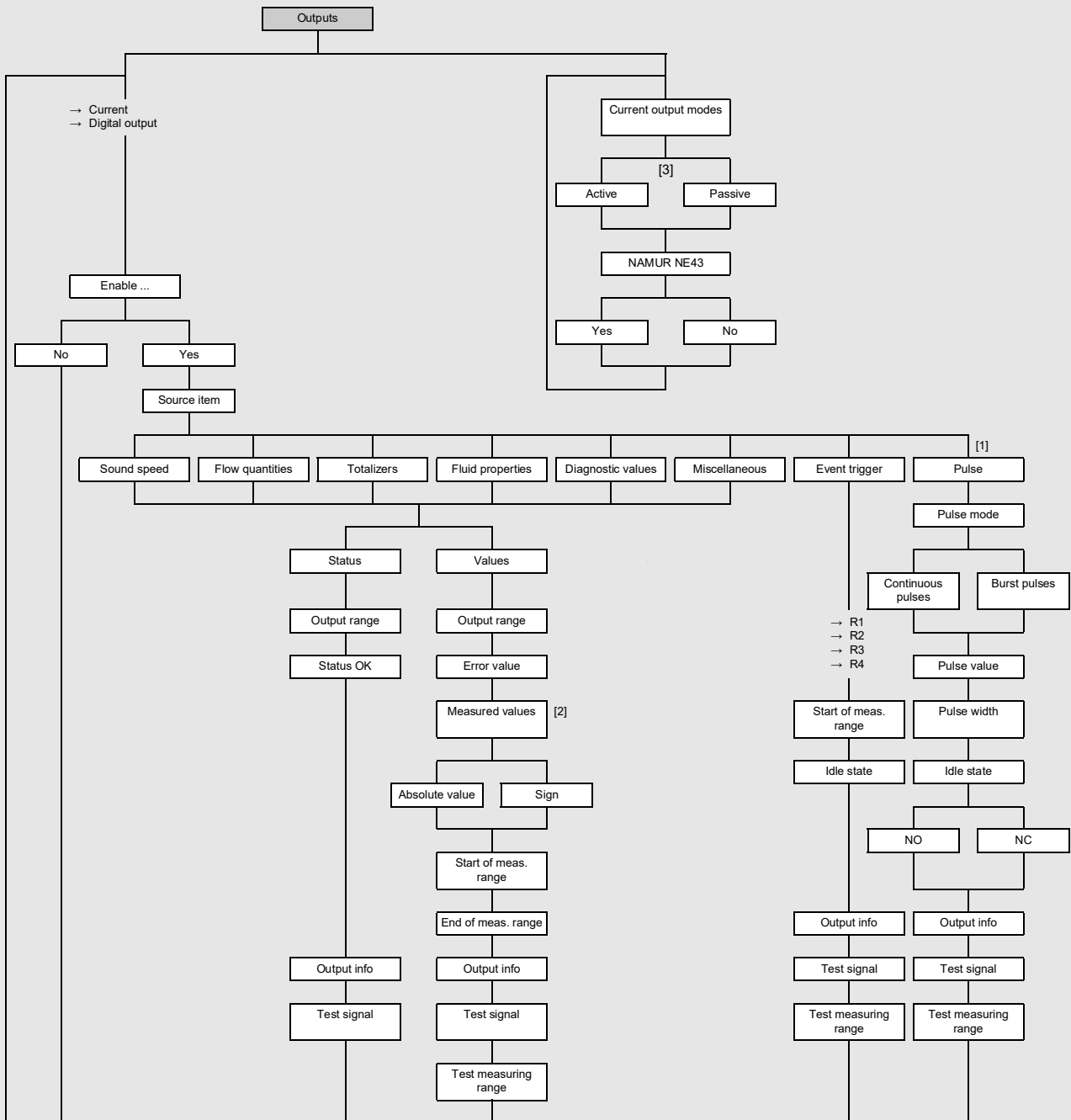
Field calibration



Legend

- [1] sampling to save calibration values
- [2] only if 1 meas. point (AB) is selected for the configuration of the measuring point

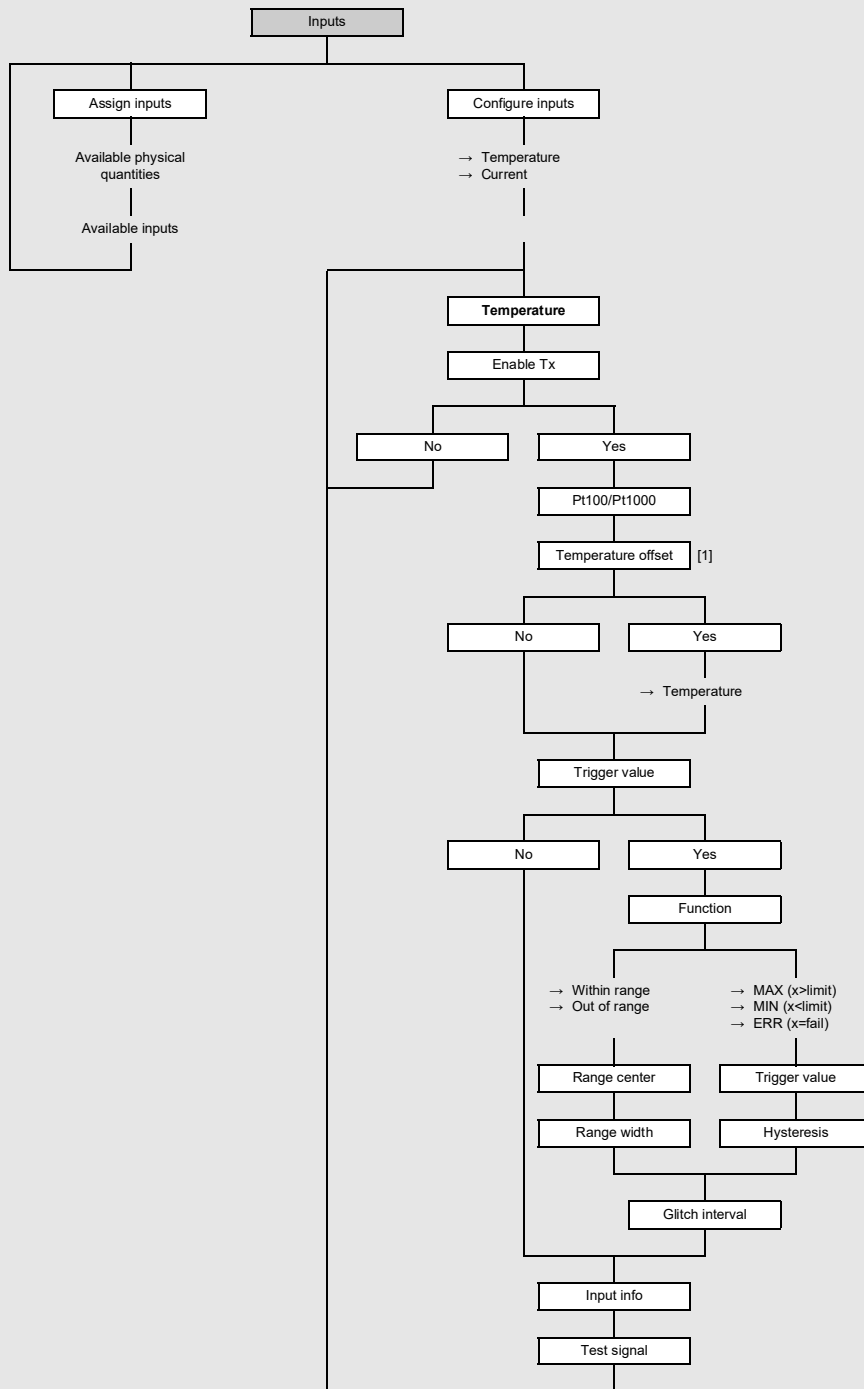
Output configuration



Legend

- [1] only available for digital outputs supporting pulse output
- [2] requested only if the physical quantity can adopt a negative value
- [3] only if switchable current outputs are available

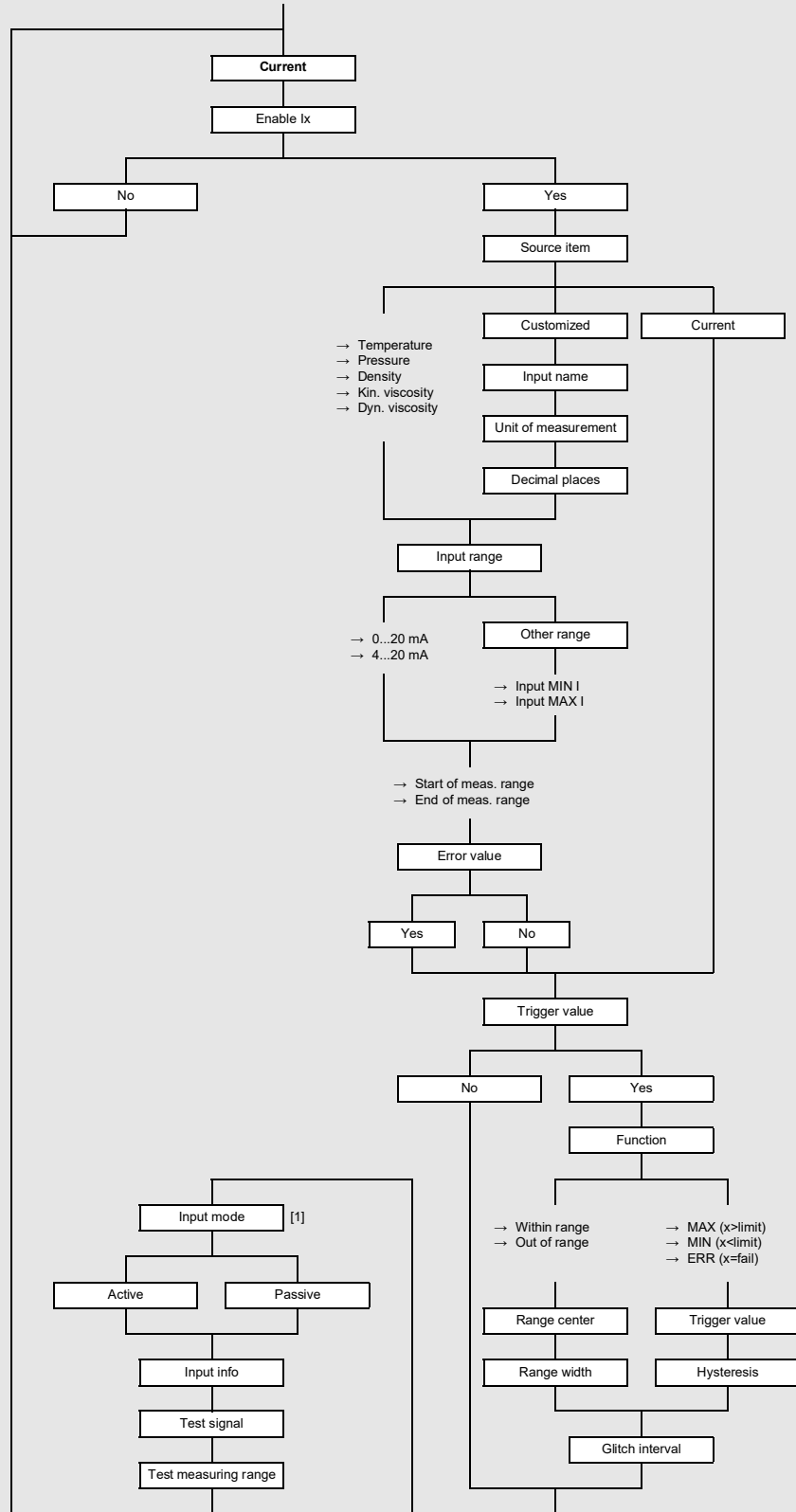
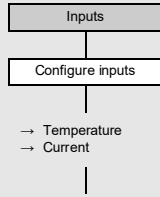
Inputs



Legend

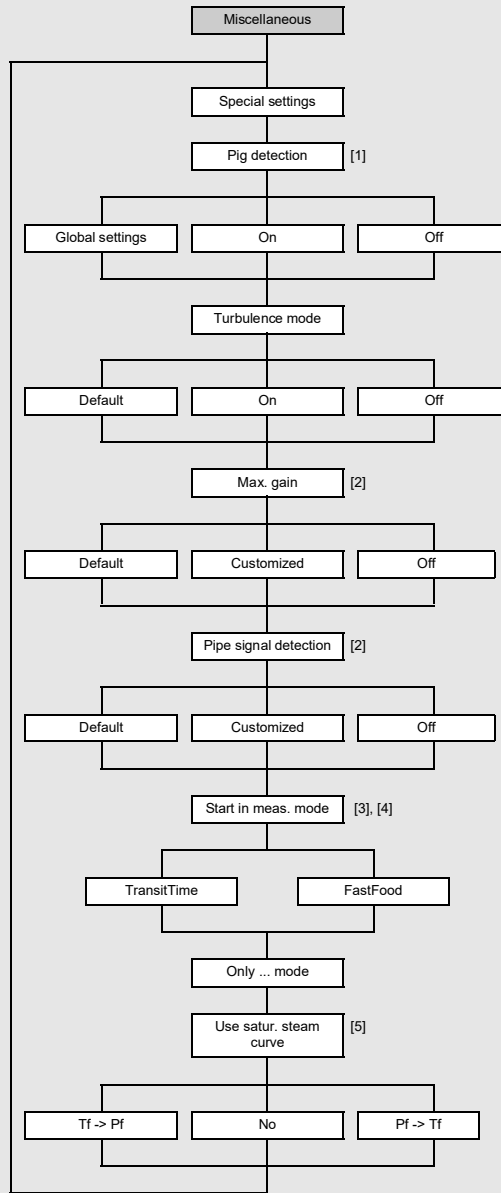
[1] only if enabled in the menu item Miscellaneous\Dialogs/Menu

Inputs



Legend
[1] only if supported by the hardware

Special settings

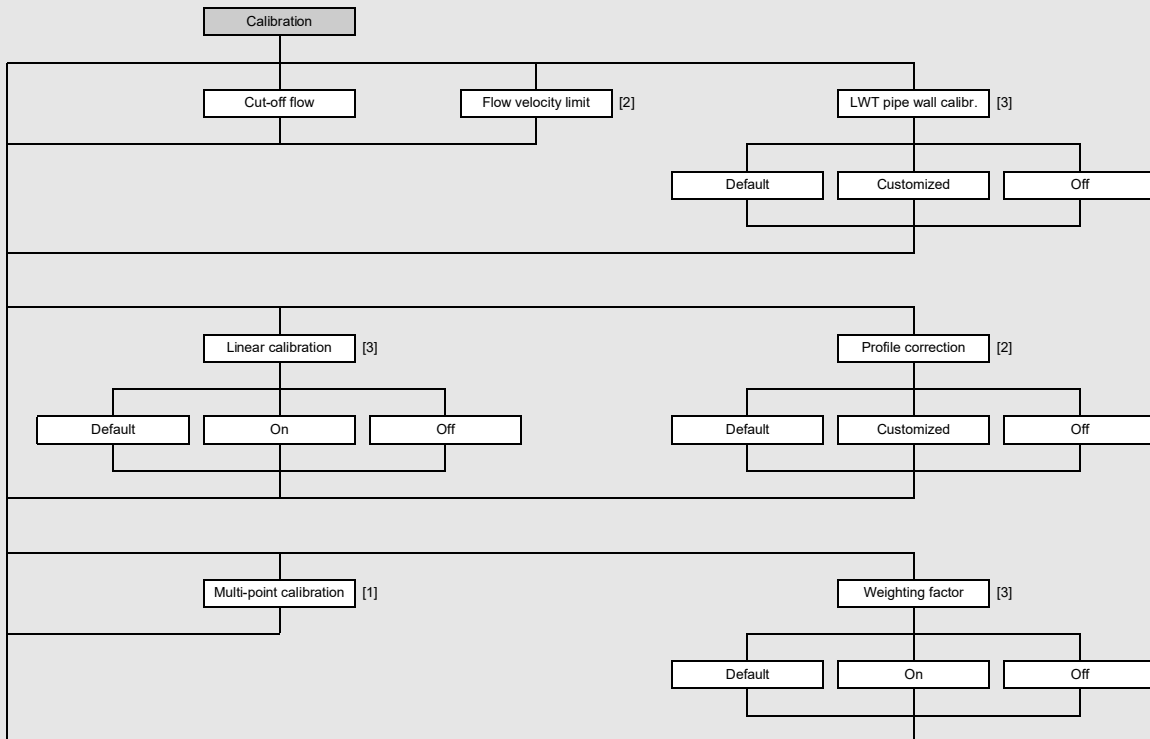


Legend

- [1] only in SuperUser mode and if activated via HotCode
- [2] only in ExpertUser, SuperUser and SuperUser ext. mode
- [3] only if FastFood mode is enabled in the menu item Miscellaneous\Measurement\Measurement modes
- [4] only if synchronized channel averaging is deactivated
- [5] only with steam measurement

Calibration

If Channel-based param. is selected for the configuration of the measuring point, the settings can be made individually for each measuring channel.

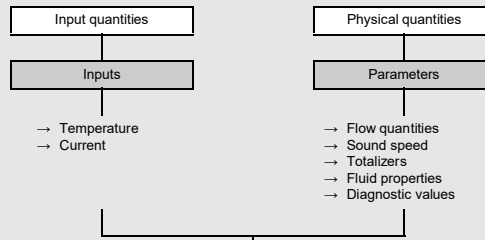


Legend

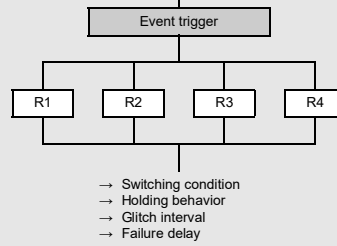
- [1] only if enabled in the menu item Miscellaneous\Measurement\Measurement settings
- [2] only in ExpertUser, SuperUser and SuperUser ext. mode
- [3] only in SuperUser and SuperUser ext. mode

Results – overview

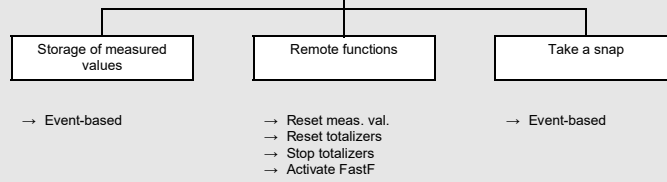
Trigger



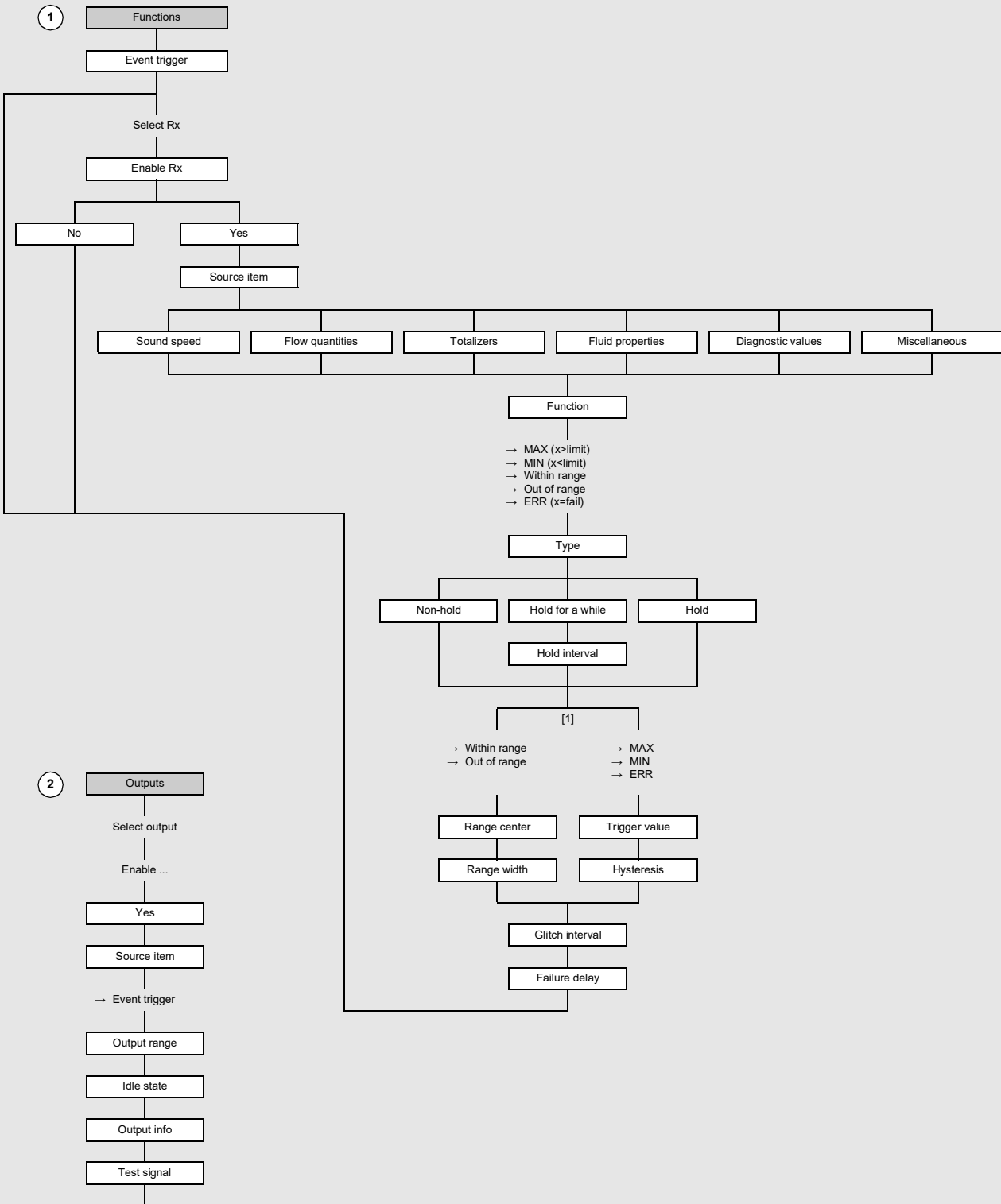
Condition



Action



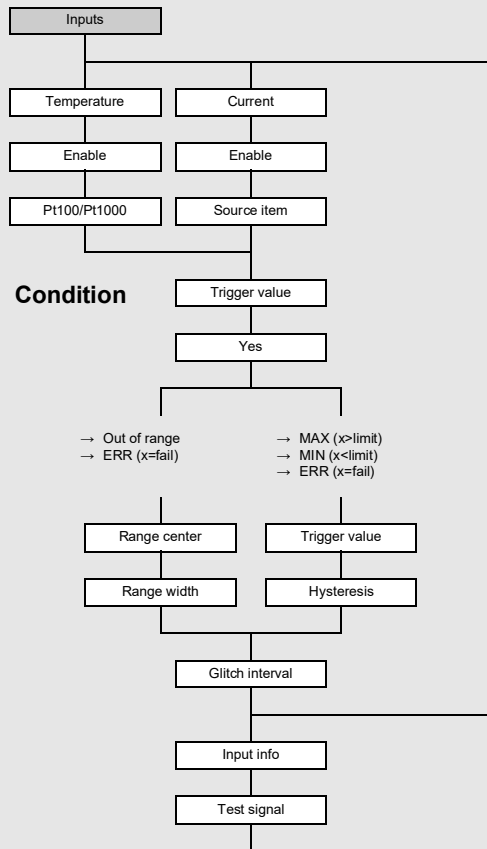
Definition of event triggers



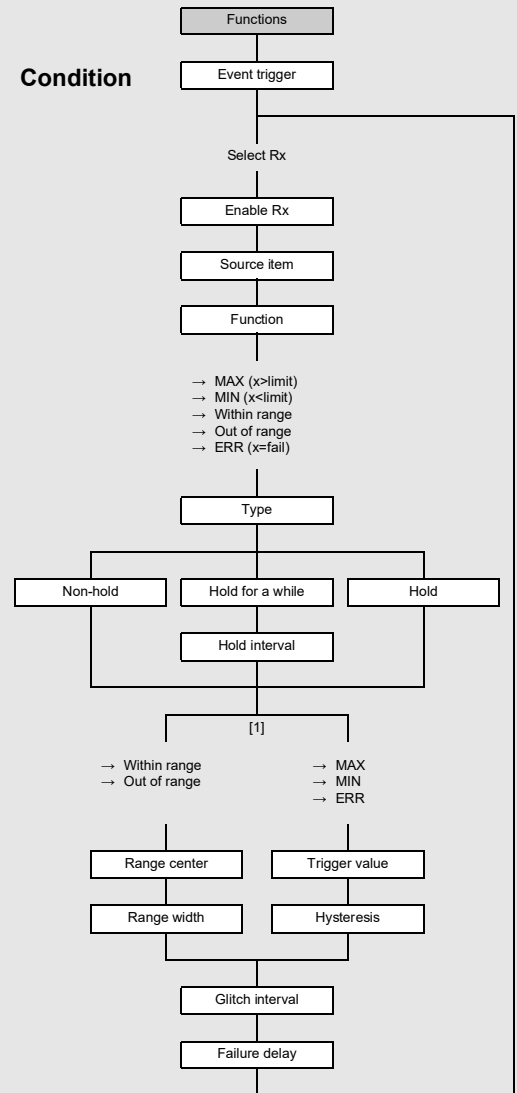
Legend
[1] depending on the selected function

Remote functions

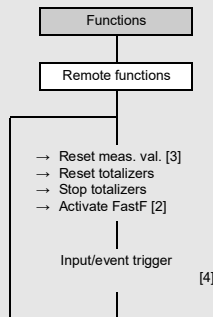
1 Trigger



Condition



2 Action

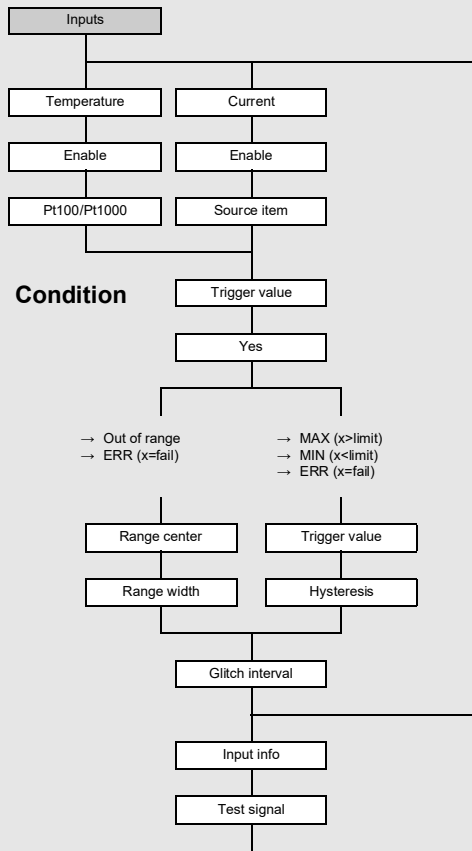


Legend

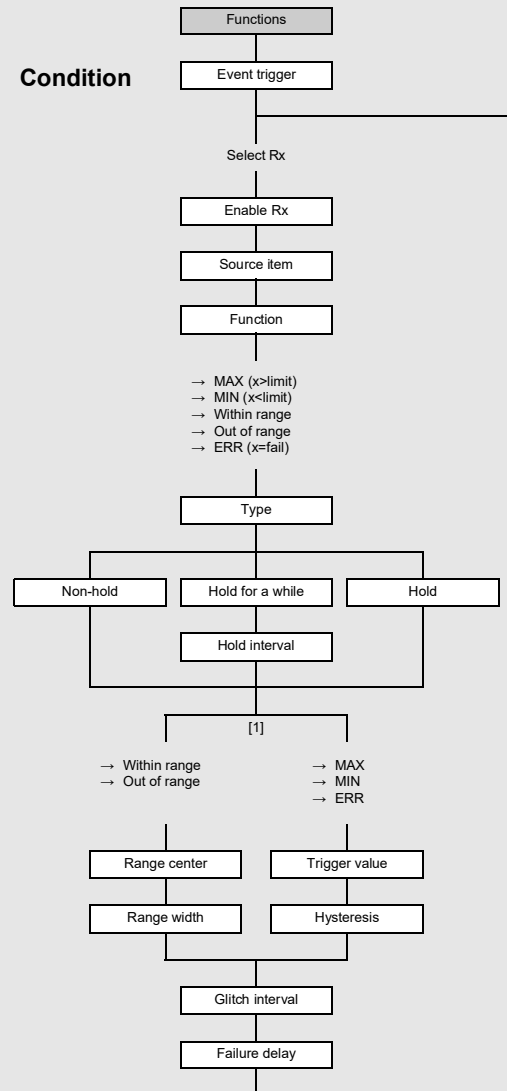
- [1] depending on the selected function
- [2] only if FastFood mode is enabled in the menu item `Miscellaneous\Measurement\Measurement modes`
- [3] only controllable via inputs
- [4] list of parameterized triggerable inputs and event triggers

Event-based storing of measured values

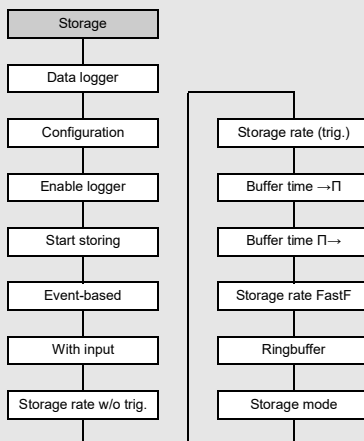
1 Trigger



Condition



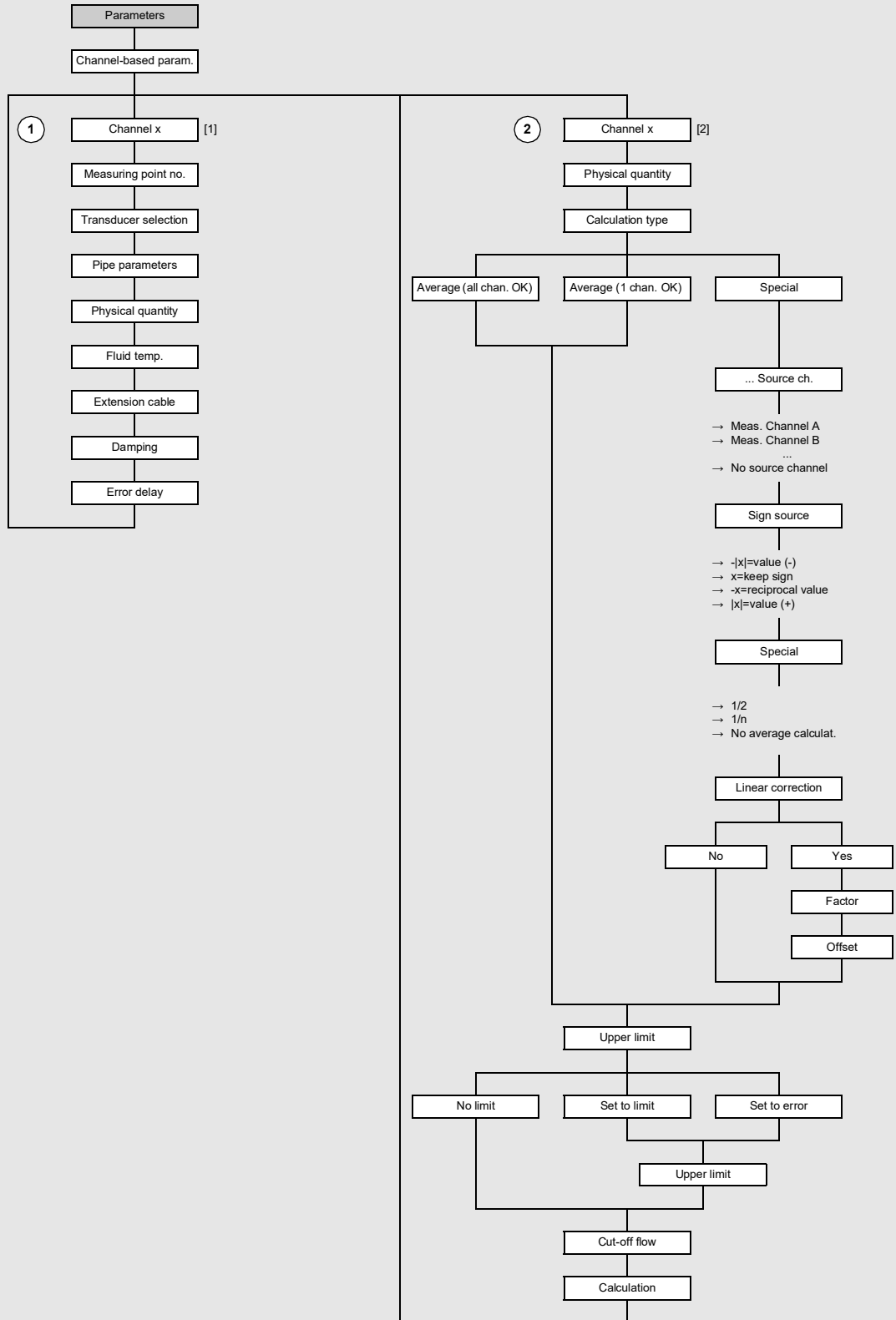
2 Action



Legend
[1] depending on the selected function

Calculation channels

This function is only available in SuperUser or SuperUser ext. mode.

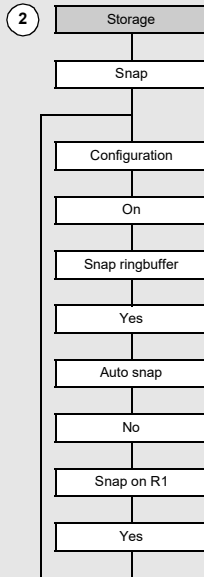
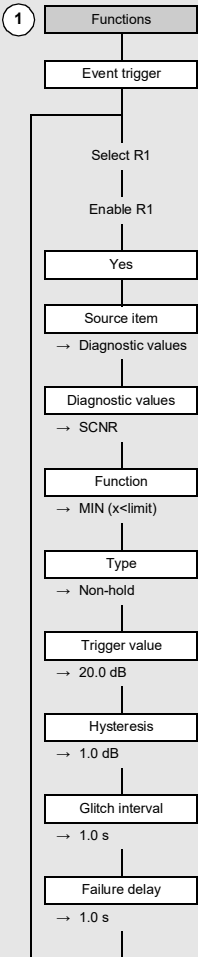


Legend

- [1] available measuring channels
- [2] calculation channel

Example 1

The diagnostic values are to be checked.
If the SCNR is < 20 dB, a snap has to be triggered.
trigger: SCNR < 20 dB
condition: R1 with SCNR < 20 dB
action: trigger a snap



Example 3

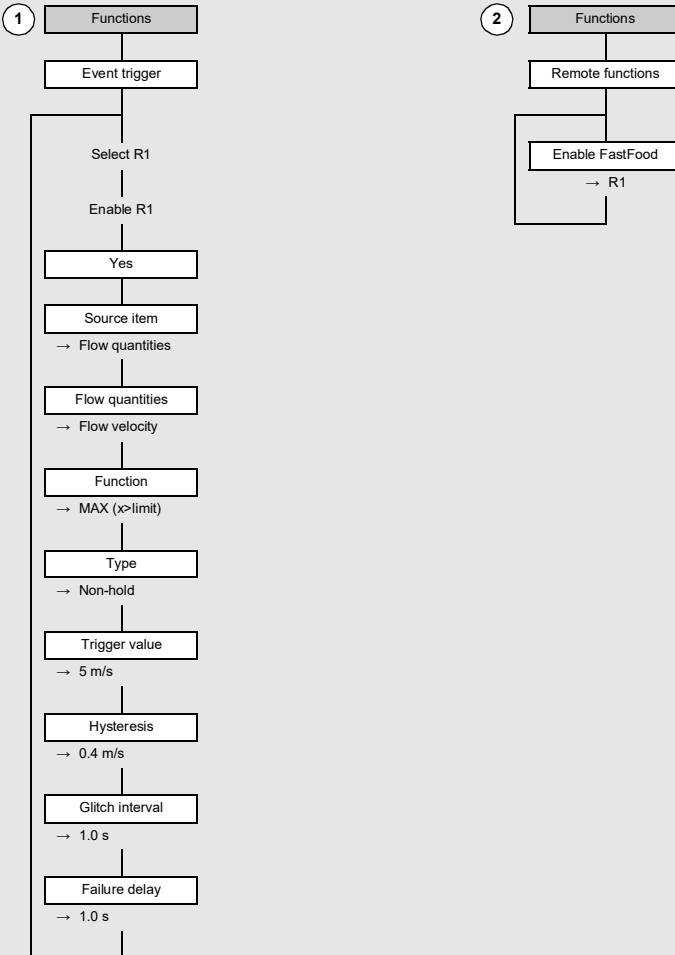
The flow velocity is measured.

If the flow velocity is ≤ 5 m/s, the transmitter measures in the TransitTime mode. As long as the flow velocity is > 5 m/s, the transmitter has to measure in the FastFood mode.

trigger: flow velocity > 5 m/s

condition: R1 with flow velocity > 5 m/s

action: measurement in the FastFood mode



B Units of measurement

Length/roughness

unit of measurement	description
mm	millimeter
in	inch

Temperature

unit of measurement	description
°C	degree Celsius
°F	degree Fahrenheit

Pressure

unit of measurement	description
bar (a)	bar (absolute)
bar (g)	bar (relative)
psi (a)	pound per square inch (absolute)
psi (g)	pound per square inch (relative)

Density

unit of measurement	description
g/cm ³	gram per cubic centimeter
kg/cm ³	kilogram per cubic centimeter

Sound speed

unit of measurement	description
m/s	meter per second
fps (ft/s)	foot per second

Kinematic viscosity

unit of measurement	description
mm ² /s	square millimeter per second

$$1 \text{ mm}^2/\text{s} = 1 \text{ cSt}$$

Flow velocity

unit of measurement	description
m/s	meter per second
cm/s	centimeter per second
in/s	inch per second
fps (ft/s)	foot per second

Standard/operating volumetric flow rate

unit of measurement	description	standard/operating volume (totalized) ⁽¹⁾
m ³ /d	cubic meter per day	m ³
m ³ /h	cubic meter per hour	m ³
m ³ /min	cubic meter per minute	m ³
m ³ /s	cubic meter per second	m ³
km ³ /h	cubic kilometer per hour	km ³
ml/min	milliliter per minute	l
l/h	liter per hour	l
l/min	liter per minute	l
l/s	liter per second	l
hl/h	hectoliter per hour	hl
hl/min	hectoliter per minute	hl
hl/s	hectoliter per second	hl
Ml/d (Megalit/d)	megaliter per day	Ml
bbl/d ⁽⁴⁾	barrel per day	bbl
bbl/h ⁽⁴⁾	barrel per hour	bbl
bbl/m ⁽⁴⁾	barrel per minute	bbl
bbl/s ⁽⁴⁾	barrel per second	bbl
USgpd (US-gal/d)	gallon per day	gal
USgph (US-gal/h)	gallon per hour	gal
USgpm (US-gal/m)	gallon per minute	gal
USgps (US-gal/s)	gallon per second	gal
KGPM (US-Kgal/m)	kilogallon per minute	kgal
MGD (US-Mgal/d)	million gallons per day	Mgal
CFD	cubic foot per day	cft ⁽²⁾
CFH	cubic foot per hour	cft
CFM	cubic foot per minute	cft
CFS	cubic foot per second	aft ⁽³⁾

⁽¹⁾ selection via the menu item Parameters\Units of measurement

⁽²⁾ cft: cubic foot

⁽³⁾ aft: acre foot

⁽⁴⁾ In the menu item Miscellaneous\Units of measurement\Barrel type the barrel type to be displayed when setting the units of measurement for standard/operating volumetric flow rate and totalized standard/operating volume can be defined. If the barrel type Imperial (UK) is selected, imperial (UK) gallons instead of US gallons are used.

1 US-gal = 3.78541 l

1 UK-gal = 4.54609 l

US Barrel Oil = 42.0 US-gal ≈ 159 l

US Barrel Wine = 31.5 US-gal ≈ 119 l

US Barrel Beer = 31.0 US-gal ≈ 117 l

Imperial (UK) Barrel = 36.0 UK-gal ≈ 164 l

unit of measurement	description	standard/operating volume (totalized) ⁽¹⁾
CCFD	hundred cubic feet per day	CCF
CCFH	hundred cubic feet per hour	CCF
MMCFD	million cubic feet per day	MMCF
MMCFH	million cubic feet per hour	MMCF
Igpd (Imp-gal/d)	gallon per day	Igal
Igph (Imp-gal/h)	gallon per hour	Igal
Igpm (Imp-gal/m)	gallon per minute	Igal
Igps (Imp-gal/s)	gallon per second	Igal
IKGM (Imp-Kgal/m)	imperial kilogallon per minute	IKG
IMGD (Imp-Mgal/d)	million imperial gallons per day	IMG

(1) selection via the menu item Parameters\Units of measurement

(2) cft: cubic foot

(3) aft: acre foot

(4) In the menu item Miscellaneous\Units of measurement\Barrel type the barrel type to be displayed when setting the units of measurement for standard/operating volumetric flow rate and totalized standard/operating volume can be defined. If the barrel type Imperial (UK) is selected, imperial (UK) gallons instead of US gallons are used.

1 US-gal = 3.78541 l

1 UK-gal = 4.54609 l

US Barrel Oil = 42.0 US-gal ≈ 159 l

US Barrel Wine = 31.5 US-gal ≈ 119 l

US Barrel Beer = 31.0 US-gal ≈ 117 l

Imperial (UK) Barrel = 36.0 UK-gal ≈ 164 l

Higher heating value (HHV)

higher heating value (mass-related)	higher heating value (volume-related)
kWh/kg	kWh/m ³
J/kg	J/m ³
kJ/kg	kJ/m ³
MJ/kg	MJ/m ³
MJ/t	kcal/m ³
GJ/t	BTU/ft ³
kcal/kg	BTU/gal
kcal/t	
BTU/lb	

Mass flow rate

unit of measurement	description
t/h	ton per hour
t/d	ton per day
kg/h	kilogram per hour
kg/min	kilogram per minute
kg/s	kilogram per second
g/s	gram per second
lb/d	pound per day
lb/h	pound per hour
lb/m	pound per minute
lb/s	pound per second
klb/h	kilopound per hour
klb/m	kilopound per minute

1 lb = 453.59237 g

1 t = 1000 kg

mass (totalized)
t
t
kg
kg
kg
g
lb
lb
lb
lb
klb
klb

C Reference

The following tables provide assistance for the user. The accuracy of the data depends on the composition, temperature and processing of the material. Flexim does not assume liability for any inaccuracies.

C.1 Sound speed of selected pipe and lining materials at 20 °C

The values of some of these materials are stored in the internal database of the transmitter. Column c_{flow} shows the type of sound wave (longitudinal or transversal) used for the flow measurement.

material (display)	explanation	c_{trans} [m/s]	c_{long} [m/s]	c_{flow}
Carbon steel	steel, normal	3230	5930	trans
Stainless steel	steel, stainless	3100	5790	trans
DUPLEX	duplex stainless steel	3272	5720	trans
Ductile iron	ductile iron	2650	-	trans
Asbestos cement	asbestos cement	2200	-	trans
Titanium	titanium	3067	5955	trans
Copper	copper	2260	4700	trans
Aluminum	aluminum	3100	6300	trans
Brass	brass	2100	4300	trans
Plastic	plastic	1120	2000	long
GRP	glass reinforced plastic	-	2650	long
PVC	polyvinyl chloride	-	2395	long
PE	polyethylene	540	1950	long
PP	polypropylene	2600	2550	trans
Bitumen	bitumen	2500	-	trans
Acrylic glass	acrylic glass	1250	2730	long
Lead	lead	700	2200	long
Cu-Ni-Fe	copper-nickel-iron alloy	2510	4900	trans
Cast iron	gray cast iron	2200	4600	trans
Rubber	rubber	1900	2400	trans
Glass	glass	3400	5600	trans
PFA	perfluoralcoxy	500	1185	long
PVDF	polyvinylidene fluorid	760	2050	long
Sintimid	Sintimid	-	2472	long
Teka PEEK	Teka PEEK	-	2534	long
Tekason	Tekason	-	2230	long

The sound speed depends on the composition and processing of the material. The sound speed of alloys and cast materials fluctuates strongly. The values only serve as an orientation.

C.2 Typical roughness values of pipes

The values are based on experience and measurements.

material	absolute roughness [mm]
drawn pipes of non-ferrous metal, glass, plastics and light metal	0...0.0015
drawn steel pipes	0.01...0.05
fine-planed, polished surface	max. 0.01
planed surface	0.01...0.04
rough-planed surface	0.05...0.1
welded steel pipes, new	0.05...0.1
after long use, cleaned	0.15...0.2
moderately rusted, slightly encrusted	max. 0.4
heavily encrusted	max. 3
cast iron pipes:	
bitumen lining	> 0.12
new, without lining	0.25...1
rusted	1...1.5
encrusted	1.5...3

C.3 Typical properties of selected fluids at 20 °C and 1 bar

fluid	explanation	sound speed [m/s]	density [g/cm ³]	kinematic viscosity [mm ² /s]	field of application	WMM ⁽¹⁾
Standard natural gas	typical pipeline quality with methane as main component	409	0.982	1.6	10...60 °C 3...200 bar	
Air		344	0.997	1.5	10...60 °C 3...200 bar	
Methane		442	0.982	1.6	10...60 °C 3...200 bar	
Propane		217	0.837	0.2	-20...+200 °C 1...15 bar	
Ethylene_sc<50bar	supercritical gas with subcritical pressure < 50 bar	316	0.938	0.8	-20...+200 °C 1...60 bar	
Oxygen		326	0.993	1.5	10...60 °C 3...200 bar	
Nitrogen		350	0.998	1.5	10...60 °C 3...200 bar	
Hydrogen		1312	1.006	10.7	10...60 °C 3...200 bar	
Ammonia		404	0.894	0.2	-20...+200 °C 1...40 bar	
Low-pressure steam	steam (150 °C, saturated steam pressure), steam measurement	493	0.957	5.5	100...200 °C 1...15.5 bar	x

⁽¹⁾ thermal energy rate coefficient included in the fluid data set

C.4 Properties of methane

fluid temperature [°C]	fluid pressure [bar]	density [kg/m ³]	sound speed [m/s]	kinematic viscosity [mm ² /s]	compressibility coefficient (AGA8-DC92)
0	40	31.177	415.4	0.4	0.906
10		29.683	425.2	0.4	0.918
20		28.354	434.4	0.4	0.929
30		27.159	443.1	0.4	0.937
40		26.076	451.5	0.5	0.945
50		25.09	459.4	0.5	0.952
60		24.186	467.1	0.5	0.958
70		23.353	474.4	0.6	0.963
80		22.583	481.5	0.6	0.968
0	80	68.928	411.4	0.2	0.820
10		64.534	422.6	0.2	0.845
20		60.824	433.1	0.2	0.866
30		57.632	442.9	0.2	0.883
40		54.841	452.2	0.2	0.899
50		52.372	461.1	0.3	0.912
60		50.164	469.5	0.3	0.924
70		48.174	477.5	0.3	0.934
80		46.367	485.2	0.3	0.943
0	120	111.81	429.9	0.1	0.758
10		103.24	438.3	0.1	0.792
20		96.221	447.1	0.2	0.821
30		90.346	455.8	0.2	0.845
40		85.332	464.4	0.2	0.866
50		80.984	472.7	0.2	0.885
60		77.166	480.8	0.2	0.901
70		73.775	488.5	0.2	0.915
80		70.737	496.1	0.2	0.927

D Legal information – open source licenses

The software of this product contains the following open-source software which is subject to the Apache license version 2.0 dated January 2004:

1. uC-TCP-IP

<https://github.com/weston-embedded/uC-TCP-IP/tree/v3.06.01>

<https://github.com/weston-embedded/uC-TCP-IP/blob/v3.06.01/LICENSE>

<https://github.com/weston-embedded/uC-TCP-IP/blob/v3.06.01/NOTICE>

ATTENTION ALL USERS OF THIS REPOSITORY:

The original work found in this repository is provided by Silicon Labs under the Apache License, Version 2.0.

Any third party may contribute derivative works to the original work in which modifications are clearly identified as being licensed under:

- (1) the Apache License, Version 2.0 or a compatible open source license; or
- (2) under a proprietary license with a copy of such license deposited.

All posted derivative works must clearly identify which license choice has been elected.

No such posted derivative works will be considered to be a "Contribution" under the Apache License, Version 2.0.

SILICON LABS MAKES NO WARRANTY WITH RESPECT TO ALL POSTED THIRD PARTY CONTENT AND DISCLAIMS ALL OTHER WARRANTIES OR LIABILITIES, INCLUDING ALL WARRANTIES OF MERCHANTABILITY, FITNESS FOR A PARTICULAR PURPOSE, TITLE, OWNERSHIP, NON-INFRINGEMENT, AND NON-MISAPPROPRIATION.

In the event a derivative work is desired to be submitted to Silicon Labs as a "Contribution" under the Apache License, Version 2.0, a "Contributor" must give written email notice to micrium@weston-embedded.com. Unless an email response in the affirmative to accept the derivative work as a "Contribution", such email submission should be considered to have not been incorporated into the original work.

2. uC-Common

<https://github.com/weston-embedded/uC-Common/tree/v1.02.01>

<https://github.com/weston-embedded/uC-Common/blob/v1.02.01/LICENSE>

<https://github.com/weston-embedded/uC-Common/blob/v1.02.01/NOTICE>

ATTENTION ALL USERS OF THIS REPOSITORY:

The original work found in this repository is provided by Silicon Labs under the Apache License, Version 2.0.

Any third party may contribute derivative works to the original work in which modifications are clearly identified as being licensed under:

- (1) the Apache License, Version 2.0 or a compatible open source license; or
- (2) under a proprietary license with a copy of such license deposited.

All posted derivative works must clearly identify which license choice has been elected.

No such posted derivative works will be considered to be a "Contribution" under the Apache License, Version 2.0.

SILICON LABS MAKES NO WARRANTY WITH RESPECT TO ALL POSTED THIRD PARTY CONTENT AND DISCLAIMS ALL OTHER WARRANTIES OR LIABILITIES, INCLUDING ALL WARRANTIES OF MERCHANTABILITY, FITNESS FOR A PARTICULAR PURPOSE, TITLE, OWNERSHIP, NON-INFRINGEMENT, AND NON-MISAPPROPRIATION.

In the event a derivative work is desired to be submitted to Silicon Labs as a "Contribution" under the Apache License, Version 2.0, a "Contributor" must give written email notice to micrium@weston-embedded.com. Unless an email response in the affirmative to accept the derivative work as a "Contribution", such email submission should be considered to have not been incorporated into the original work.

3. uC-DHCPc

<https://github.com/weston-embedded/uC-DHCPc/tree/v2.11.01>

<https://github.com/weston-embedded/uC-DHCPc/blob/v2.11.01/LICENSE>

<https://github.com/weston-embedded/uC-DHCPc/blob/v2.11.01/NOTICE>

ATTENTION ALL USERS OF THIS REPOSITORY:

The original work found in this repository is provided by Silicon Labs under the Apache License, Version 2.0.

Any third party may contribute derivative works to the original work in which modifications are clearly identified as being licensed under:

- (1) the Apache License, Version 2.0 or a compatible open source license; or
- (2) under a proprietary license with a copy of such license deposited.

All posted derivative works must clearly identify which license choice has been elected.

No such posted derivative works will be considered to be a "Contribution" under the Apache License, Version 2.0.

SILICON LABS MAKES NO WARRANTY WITH RESPECT TO ALL POSTED THIRD PARTY CONTENT AND DISCLAIMS ALL OTHER WARRANTIES OR LIABILITIES, INCLUDING ALL WARRANTIES OF MERCHANTABILITY, FITNESS FOR A PARTICULAR PURPOSE, TITLE, OWNERSHIP, NON-INFRINGEMENT, AND NON-MISAPPROPRIATION.

In the event a derivative work is desired to be submitted to Silicon Labs as a "Contribution" under the Apache License, Version 2.0, a "Contributor" must give written email notice to micrium@weston-embedded.com. Unless an email response in the affirmative to accept the derivative work as a "Contribution", such email submission should be considered to have not been incorporated into the original work.

4. uC-LIB

<https://github.com/weston-embedded/uC-LIB/tree/v1.39.01>

<https://github.com/weston-embedded/uC-LIB/blob/v1.39.01/LICENSE>

<https://github.com/weston-embedded/uC-LIB/blob/v1.39.01/NOTICE>

ATTENTION ALL USERS OF THIS REPOSITORY:

The original work found in this repository is provided by Silicon Labs under the Apache License, Version 2.0.

Any third party may contribute derivative works to the original work in which modifications are clearly identified as being licensed under:

- (1) the Apache License, Version 2.0 or a compatible open source license; or
- (2) under a proprietary license with a copy of such license deposited.

All posted derivative works must clearly identify which license choice has been elected.

No such posted derivative works will be considered to be a "Contribution" under the Apache License, Version 2.0.

SILICON LABS MAKES NO WARRANTY WITH RESPECT TO ALL POSTED THIRD PARTY CONTENT AND DISCLAIMS ALL OTHER WARRANTIES OR LIABILITIES, INCLUDING ALL WARRANTIES OF MERCHANTABILITY, FITNESS FOR A PARTICULAR PURPOSE, TITLE, OWNERSHIP, NON-INFRINGEMENT, AND NON-MISAPPROPRIATION.

In the event a derivative work is desired to be submitted to Silicon Labs as a "Contribution" under the Apache License, Version 2.0, a "Contributor" must give written email notice to micrium@weston-embedded.com. Unless an email response in the affirmative to accept the derivative work as a "Contribution", such email submission should be considered to have not been incorporated into the original work.

Apache License

Version 2.0, January 2004

<http://www.apache.org/licenses/>

TERMS AND CONDITIONS FOR USE, REPRODUCTION, AND DISTRIBUTION

1. Definitions.

"License" shall mean the terms and conditions for use, reproduction, and distribution as defined by Sections 1 through 9 of this document.

"Licensor" shall mean the copyright owner or entity authorized by the copyright owner that is granting the License.

"Legal Entity" shall mean the union of the acting entity and all other entities that control, are controlled by, or are under common control with that entity. For the purposes of this definition, "control" means (i) the power, direct or indirect, to cause the direction or management of such entity, whether by contract or otherwise, or (ii) ownership of fifty percent (50 %) or more of the outstanding shares, or (iii) beneficial ownership of such entity.

"You" (or "Your") shall mean an individual or Legal Entity exercising permissions granted by this License.

"Source" form shall mean the preferred form for making modifications, including but not limited to software source code, documentation source, and configuration files.

"Object" form shall mean any form resulting from mechanical transformation or translation of a Source form, including but not limited to compiled object code, generated documentation, and conversions to other media types.

"Work" shall mean the work of authorship, whether in Source or Object form, made available under the License, as indicated by a copyright notice that is included in or attached to the work (an example is provided in the Appendix below).

"Derivative Works" shall mean any work, whether in Source or Object form, that is based on (or derived from) the Work and for which the editorial revisions, annotations, elaborations, or other modifications represent, as a whole, an original work of authorship. For the purposes of this License, Derivative Works shall not include works that remain separable from, or merely link (or bind by name) to the interfaces of, the Work and Derivative Works thereof.

"Contribution" shall mean any work of authorship, including the original version of the Work and any modifications or additions to that Work or Derivative Works thereof, that is intentionally submitted to Licensor for inclusion in the Work by the copyright owner or by an individual or Legal Entity authorized to submit on behalf of the copyright owner. For the purposes of this definition, "submitted" means any form of electronic, verbal, or written communication sent to the Licensor or its representatives, including but not limited to communication on electronic mailing lists, source code control systems, and issue tracking systems that are managed by, or on behalf of, the Licensor for the purpose of discussing and improving the Work, but excluding communication that is conspicuously marked or otherwise designated in writing by the copyright owner as "Not a Contribution."

"Contributor" shall mean Licensor and any individual or Legal Entity on behalf of whom a Contribution has been received by Licensor and subsequently incorporated within the Work.

2. Grant of Copyright License. Subject to the terms and conditions of this License, each Contributor hereby grants to You a perpetual, worldwide, non-exclusive, no-charge, royalty-free, irrevocable copyright license to reproduce, prepare Derivative Works of, publicly display, publicly perform, sublicense, and distribute the Work and such Derivative Works in Source or Object form.
3. Grant of Patent License. Subject to the terms and conditions of this License, each Contributor hereby grants to You a perpetual, worldwide, non-exclusive, no-charge, royalty-free, irrevocable (except as stated in this section) patent license to make, have made, use, offer to sell, sell, import, and otherwise transfer the Work, where such license applies only to those patent claims licensable by such Contributor that are necessarily infringed by their Contribution(s) alone or by combination of their Contribution(s) with the Work to which such Contribution(s) was submitted. If You institute patent litigation against any entity (including a cross-claim or counterclaim in a lawsuit) alleging that the Work or a Contribution incorporated within the Work constitutes direct or contributory patent infringement, then any patent licenses granted to You under this License for that Work shall terminate as of the date such litigation is filed.
4. Redistribution. You may reproduce and distribute copies of the Work or Derivative Works thereof in any medium, with or without modifications, and in Source or Object form, provided that You meet the following conditions:
 - (a) You must give any other recipients of the Work or Derivative Works a copy of this License; and
 - (b) You must cause any modified files to carry prominent notices stating that You changed the files; and
 - (c) You must retain, in the Source form of any Derivative Works that You distribute, all copyright, patent, trademark, and attribution notices from the Source form of the Work, excluding those notices that do not pertain to any part of the Derivative Works; and

(d) If the Work includes a "NOTICE" text file as part of its distribution, then any Derivative Works that You distribute must include a readable copy of the attribution notices contained within such NOTICE file, excluding those notices that do not pertain to any part of the Derivative Works, in at least one of the following places: within a NOTICE text file distributed as part of the Derivative Works; within the Source form or documentation, if provided along with the Derivative Works; or, within a display generated by the Derivative Works, if and wherever such third-party notices normally appear. The contents of the NOTICE file are for informational purposes only and do not modify the License. You may add Your own attribution notices within Derivative Works that You distribute, alongside or as an addendum to the NOTICE text from the Work, provided that such additional attribution notices cannot be construed as modifying the License.

You may add Your own copyright statement to Your modifications and may provide additional or different license terms and conditions for use, reproduction, or distribution of Your modifications, or for any such Derivative Works as a whole, provided Your use, reproduction, and distribution of the Work otherwise complies with the conditions stated in this License.

5. **Submission of Contributions.** Unless You explicitly state otherwise, any Contribution intentionally submitted for inclusion in the Work by You to the Licensor shall be under the terms and conditions of this License, without any additional terms or conditions. Notwithstanding the above, nothing herein shall supersede or modify the terms of any separate license agreement you may have executed with Licensor regarding such Contributions.
6. **Trademarks.** This License does not grant permission to use the trade names, trademarks, service marks, or product names of the Licensor, except as required for reasonable and customary use in describing the origin of the Work and reproducing the content of the NOTICE file.
7. **Disclaimer of Warranty.** Unless required by applicable law or agreed to in writing, Licensor provides the Work (and each Contributor provides its Contributions) on an "AS IS" BASIS, WITHOUT WARRANTIES OR CONDITIONS OF ANY KIND, either express or implied, including, without limitation, any warranties or conditions of TITLE, NON-INFRINGEMENT, MERCHANTABILITY, or FITNESS FOR A PARTICULAR PURPOSE. You are solely responsible for determining the appropriateness of using or redistributing the Work and assume any risks associated with Your exercise of permissions under this License.
8. **Limitation of Liability.** In no event and under no legal theory, whether in tort (including negligence), contract, or otherwise, unless required by applicable law (such as deliberate and grossly negligent acts) or agreed to in writing, shall any Contributor be liable to You for damages, including any direct, indirect, special, incidental, or consequential damages of any character arising as a result of this License or out of the use or inability to use the Work (including but not limited to damages for loss of goodwill, work stoppage, computer failure or malfunction, or any and all other commercial damages or losses), even if such Contributor has been advised of the possibility of such damages.
9. **Accepting Warranty or Additional Liability.** While redistributing the Work or Derivative Works thereof, You may choose to offer, and charge a fee for, acceptance of support, warranty, indemnity, or other liability obligations and/or rights consistent with this License. However, in accepting such obligations, You may act only on Your own behalf and on Your sole responsibility, not on behalf of any other Contributor, and only if You agree to indemnify, defend, and hold each Contributor harmless for any liability incurred by, or claims asserted against, such Contributor by reason of your accepting any such warranty or additional liability.

END OF TERMS AND CONDITIONS

APPENDIX: How to apply the Apache License to your work.

To apply the Apache License to your work, attach the following boilerplate notice, with the fields enclosed by brackets "[]" replaced with your own identifying information. (Don't include the brackets!) The text should be enclosed in the appropriate comment syntax for the file format. We also recommend that a file or class name and description of purpose be included on the same "printed page" as the copyright notice for easier identification within third-party archives.

Copyright [yyyy] [name of copyright owner]

Licensed under the Apache License, Version 2.0 (the "License"); you may not use this file except in compliance with the License. You may obtain a copy of the License at

<http://www.apache.org/licenses/LICENSE-2.0>

Unless required by applicable law or agreed to in writing, software distributed under the License is distributed on an "AS IS" BASIS, WITHOUT WARRANTIES OR CONDITIONS OF ANY KIND, either express or implied.

See the License for the specific language governing permissions and limitations under the License.

E Conformity declarations

For EU declaration of conformity according to ATEX directive, see document SIFLUXUS.

EU declaration of conformity according to low voltage directive

FLEXIM Flexible Industriemesstechnik GmbH
Boxberger Straße 4
12681 Berlin
Germany

declares as manufacturer under its sole responsibility that the ultrasonic flowmeter(s)

FLUXUS a731-NNN, PIOX S731**-NNN**
a = F, G, H

complies/comply with the relevant EU regulations and directives, including any amendments valid at the time this declaration was signed. This declaration of conformity is based on the following harmonized standards:

EU directive 2014/35/EU (low voltage directive) relating to the making available on the market of electrical equipment designed for use within certain voltage limits

EN 61010-1:2010 Safety requirements for electrical equipment for measurement, control, and laboratory use
+ A1:2019 + A1:2019/AC:2019 Part 1: General requirements

EU directive 2014/30/EU (EMC directive) relating to electromagnetic compatibility

EN IEC 61326-1:2021 Electrical equipment for measurement, control, and laboratory use – EMC requirements
Part 1: General requirements

EU directive 2011/65/EU (RoHS directive) on the restriction of the use of certain hazardous substances in electrical and electronic equipment

EN IEC 63000:2018 Technical documentation for the assessment of electrical and electronic products with respect to the restriction of hazardous substances

FLEXIM GmbH

Berlin, 2024-10-01

Signed for and on behalf of

Place and date


Jens Hilpert
Managing Director

UK declaration of conformity according to UK statutory instruments

FLEXIM Flexible Industriemesstechnik GmbH

Boxberger Straße 4
12681 Berlin
Germany

declares as manufacturer under its sole responsibility that the ultrasonic flowmeter(s)

FLUXUS a731-NNN, PIOX S731**-NNN**

a = F, G, H

complies/comply with the relevant UK regulations and legislations, including any amendments valid at the time this declaration was signed. This declaration of conformity is based on the following designated standards:

UK statutory instruments 2016 No. 1101 (electrical equipment (safety) regulations) relating to the safety of electrical equipment designed for use within certain voltage limits

EN 61010-1:2010 Safety requirements for electrical equipment for measurement, control, and laboratory use
+ A1:2019 + A1:2019/AC:2019 Part 1: General requirements

UK statutory instruments 2016 No. 1091 (EMC regulations) relating to electromagnetic compatibility

EN IEC 61326-1:2021 Electrical equipment for measurement, control, and laboratory use – EMC requirements
Part 1: General requirements

UK statutory instruments 2012 No. 3032 (RoHS regulations) on the restriction of the use of certain hazardous substances in electrical and electronic equipment

EN IEC 63000:2018 Technical documentation for the assessment of electrical and electronic products with respect to the restriction of hazardous substances

FLEXIM GmbH

Signed for and on behalf of

Berlin, 2024-10-01

Place and date



Jens Hilpert
Managing Director

Operating Instruction

UMFLUXUS_G731V6-0EN

AN 26453

2024-04-01

For more information: **Emerson.com**

© 2024 Emerson. All rights reserved.

Emerson Terms and Conditions of Sale are available upon request.

The Emerson logo is a trademark and service mark of Emerson Electric Co. Flexim is a mark of one of the Emerson family of companies. All other marks are the property of their respective owners.

FLEXIM

