

The data specified above only serve to describe the product. No statements concerning a certain condition or suitability for a certain application can be derived from our information. The given information does not release the user from the obligation of own judgement and verification. It must be remembered that our products are subject to a natural process of wear and aging.

An example configuration is depicted on the title page. The delivered product may thus vary from that in the illustration.

Translation of the original operating instructions. The original operating instructions were created in the German language.

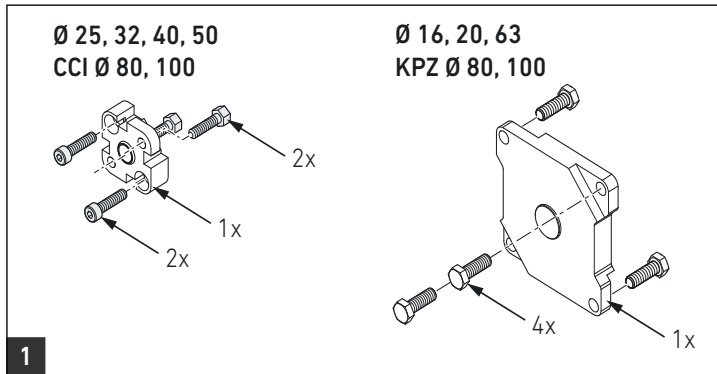
1821039829-BAL-001-AA/03.2016
 Subject to modifications. © All rights reserved by AVENTICS GmbH, even and especially in cases of proprietary rights applications. It may not be reproduced or given to third parties without its consent.

Montageanleitung | Assembly instructions | Instructions de montage
 Istruzioni di montaggio | Instrucciones de montaje | Monteringsanvisning

Zwischenflansch für Mehrstellungszyylinder
 Intermediate flange for multi-position cylinders
 Bride intermédiaire pour vérin multipositions
 Flangia intermedia per cilindro multiposizione
 Brida intermedia para cilindro con varias posiciones
 Mellanfläns för flerstegscynder

JP2

1821039829/03.2016.
 Replaces: -, DE/EN/FR/IT/ES/SV



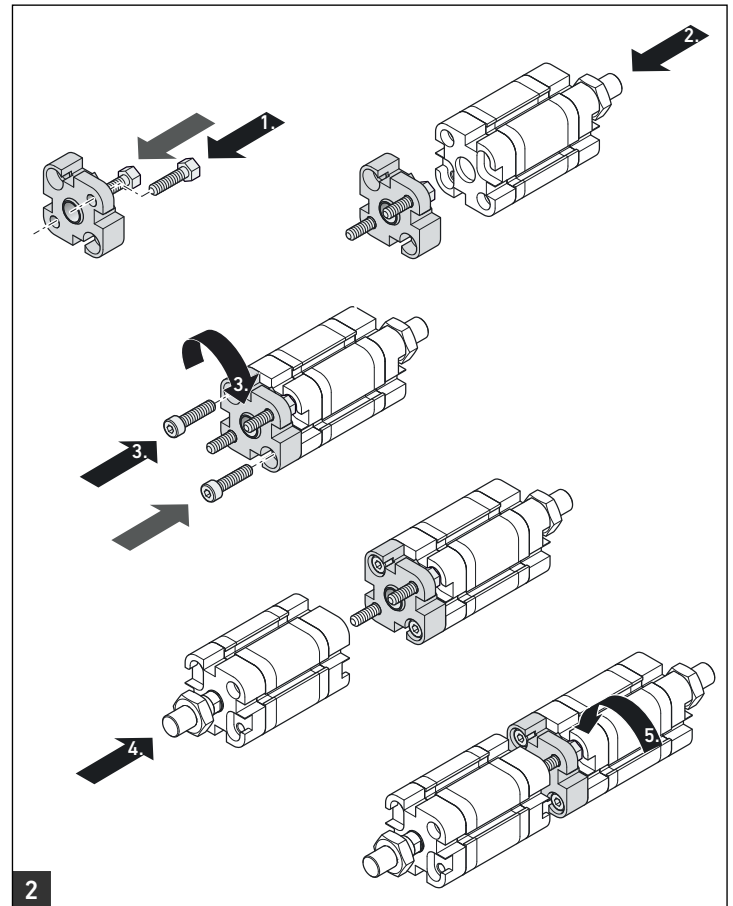
Lieferumfang / Delivery contents / Fourniture /
 Fornitura / Volumen de suministro / Leveransinnehåll

Ø [mm]	16	20	25	32	40	50	63	80	80	100	100
								CCI	KPZ	CCI	KPZ
SW1	7	8	8	10	10	13	13	16	16	16	16
SW2	-	-	4	5	5	6	-	8	-	8	-
M _D [Nm]	2,5	4	4	4	4	8	8	16	16	16	16

Ø	Zylinder / Cylinder / Vérin / Cilindro / Cilindro / Cylinder
SW	Schlüsselweite / Wrench size / Taille de la clé / Misura della chiave / Tamaño de llave / Nyckelstorlek
M _D	Drehmoment / Torque / Couple / Coppia / Par de apriete / Vridmoment



Schlüsselweite und Drehmoment / Wrench size and torque /
 Ouverture de clé (SW) et couple de rotation / Apertura chiave e coppia /
 Tamaño de llave y par de apriete / Nyckelstorlek och åtdragningsmoment



Montagebeispiel mit Innen- und Außensechskant / Assembly example with and hexagon socket head / Exemple de montage avec vis à six pans creux et hexagonales mâles /
 Esempio di montaggio con esagono incassato e testa esagonale / Ejemplo de montaje con hexágono interior y exterior / Monterings exempel med inner- och yttersexkantsskruv