



## YARWAY HARDSEAT BLOW-OFF VALVES

### INTEGRAL YOKE DESIGN

How to operate and service hardseat blow-off valves (integral yoke design).

#### CONSTRUCTION DETAILS

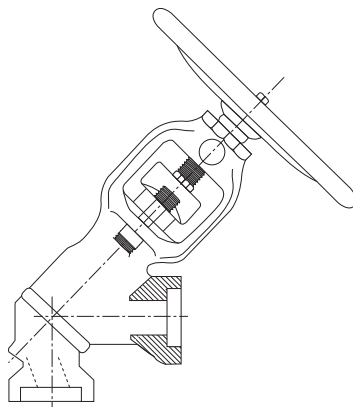
Seat and disc design, with stellite sealing surfaces. Beveled end of steel disc has welded-in stellite facing and inlet and outlet nozzles have integral welded-in stellite seats. This stellite provides smooth hard-wearing surfaces at these important points. Lip on end disc checks wire drawing and protects bearing faces against cutting action of blow-down.

#### INSTALLATION AND OPERATION

Valve is usually installed with flow entering below seat.

The valve should be opened rapidly and fully, to increase life of working parts; never blow down with valve partly open.

When installed in tandem combination, the hardseat blowing valve nearest to boiler will have flow entering below seat. This blowing valve should be opened last, closed first; the sealing valve, farthest from boiler, should be opened first, closed last. Both valves should be opened rapidly and fully to increase life of working parts; never blow down with valves partly open.



#### NOTE

Yarway hardseat blow-off valve, angle body, welded ends. Operating and servicing instructions identical for angle and straightway hardseat valve.

#### CARE OF HARDSEAT VALVES

##### Lubrication

Keep hardseat valves well lubricated. Proper lubrication is extremely important. Oil stem threads frequently. Yarway SV- 650 (or equivalent) superheat mineral oil is recommended for these points.

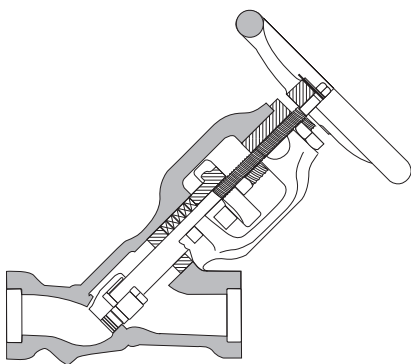
##### Cleaning or Clearing

All internal parts of the Hardseat Valve can be removed without disconnecting the body from the line. If inside of valve must be cleaned or if a foreign body lodged in the valve prevents seating of the disc, disassemble as follows:

1. Loosen the two gland nuts and remove split gland bushing.
2. Turn handwheel past full open position to jack the packing and stuffing box bushing out of the stuffing box.
3. Break tack weld on yoke bushing and back out this bushing.
4. Remove internal parts through top of yoke. When valve is reassembled, yoke bushing must be tack welded in place to prevent accidental loosening of the bushing while valve is in service. It is also advisable to be sure to keep disc clear of seat during reassembly of yoke bushing.

#### WARNING

*Hot discharge from this device can cause severe burns. Discharge must be piped or directed away so no one will be endangered. This device must be insulated, vented and cool to the touch before repairing or inspecting.*



#### NOTE

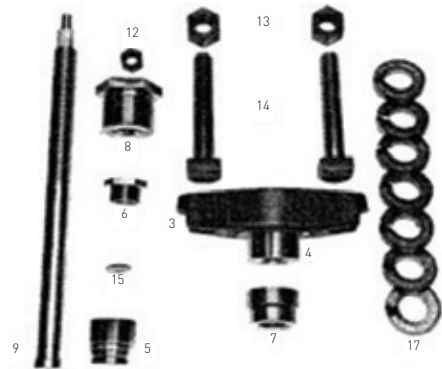
Yarway hardseat blow-off valve, straightway body, welding ends, in closed position

# YARWAY HARDSEAT BLOW-OFF VALVES

## INTEGRAL YOKE DESIGN

### Reseating

If it becomes necessary to refinish face of seat, use specially designed Yarway Reseating Tool.



### PARTS TABLE

Part number	Part Name *
1**	Body (not shown)
3	Gland
4	Split Gland Bushing
5	Disc
6	Disc Nut
7	Stuffing Box Bushing
8	Yoke Bushing
9	Stem
12	Stem Nut
13	Gland Bolt Nuts
14	Gland Bolt
15	Disc Insert
17	Packing

\* When ordering above parts, please use part numbers and names shown in table, specify size, figure number, type of valve and operating pressure [see name plate on valve body].

\*\* When ordering body, specify if flanged or socketweld connections, size valve and figure number.

A specially designed Yarway reseating tool for reseating Hardseat Blow-off Valves allows recutting of worn or damaged seat without removing valve from line. Cutters of various sizes assure that all Hardseat Valve seats are cut at proper angle. Seat should not be lapped to disc. Prices and complete details furnished on request..

### NOTE

Any malfunction of this product must be reported to the service department. Repair made to the product by unauthorized personnel will void the warranty

### RIGHT TO KNOW LAWS AND OSHA STANDARD 29CFR (1910.1200)

Material Safety Data Sheets on the following Yarway products: Valves, Steam Traps and Strainers.

The OSHA Hazard Communication Standard 29CFR 1910.1200, states that the standard does not apply to "articles." The standard defines an article as:

"A manufactured item formed to a specific shape or design for a particular use which does not release or otherwise expose an employee to a hazardous chemical under normal conditions of use."

The above named products fall within the definition of an "article", no Material Safety Data Sheets are available or are required. Our product is manufactured as an "end product." If the product is a weld end the following applies.

### WARNING

*Materials used in manufacture of Yarway products are considered in a stable condition when shipped. However, under certain conditions purchasers could create potential hazardous conditions by their future operations.*

### CAUTION

*Welding, cutting, burning, machining or grinding of this product can generate toxic dust and fumes of potentially hazardous ingredients. The dust or fumes can cause irritation of the respiratory tract, nose, throat, skin and eyes. It may cause temporary or permanent respiratory disease in a small percentage of exposed individuals. Use moderate ventilation when grinding or welding. Avoid breathing dust, fumes or mist. Avoid prolonged skin contact with dust or mist. Maintain dust levels below OSHA and ACGIH levels. Use protective devices. Wash hands thoroughly after contact with dust before eating or smoking.*

Neither Emerson, Emerson Automation Solutions, nor any of their affiliated entities assumes responsibility for the selection, use or maintenance of any product. Responsibility for proper selection, use, and maintenance of any product remains solely with the purchaser and end user.

Yarway is a mark owned by one of the companies in the Emerson Automation Solutions business unit of Emerson Electric Co. Emerson Automation Solutions, Emerson and the Emerson logo are trademarks and service marks of Emerson Electric Co. All other marks are the property of their respective owners.

The contents of this publication are presented for informational purposes only, and while every effort has been made to ensure their accuracy, they are not to be construed as warranties or guarantees, express or implied, regarding the products or services described herein or their use or applicability. All sales are governed by our terms and conditions, which are available upon request. We reserve the right to modify or improve the designs or specifications of such products at any time without notice.

Emerson.com/FinalControl