

FOUNDATION™ Fieldbus Interface



UK	Safe Use Instructions
DE	Sicherheitsdatenblatt
FR	Consignes de sécurité
PT	Instruções para uso seguro
RU	Инструкции по безопасной эксплуатации
SC	安全使用指示
AR	تعليمات الاستخدام الآمن
IT	Istruzioni per la sicurezza d'uso
NL	Instructies voor veilig gebruik
SP	Instrucciones de seguridad para el uso

FOUNDATIONTM Fieldbus Interface (ROC800-Series)

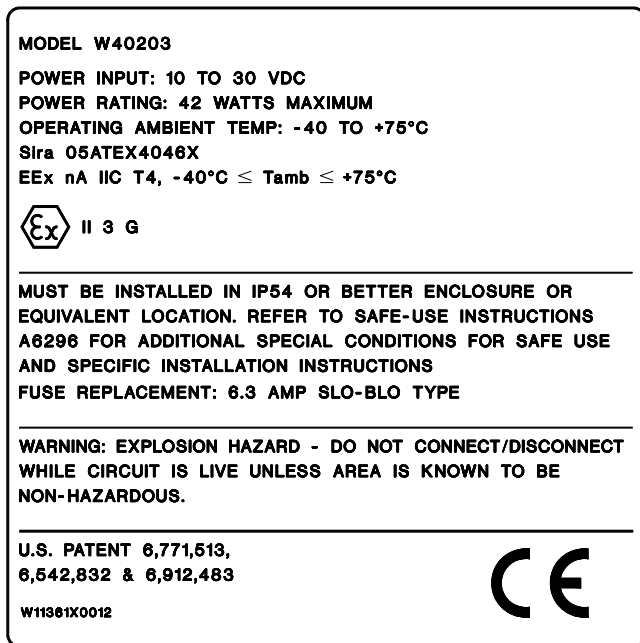


Figure 1. FOUNDATION Fieldbus Interface Label

Use this safe use instructions (SUI) document with the *FOUNDATION Fieldbus Interface Instruction Manual* (Form A6259). For full cautions and descriptions of installation and troubleshooting procedures, refer to the manual. If you require training for this product, contact your local sales office.

The Foundation Fieldbus Interface (or “FFI”) with ATEX approval may be ordered with the H1 Segment modules described in the technical specification *FOUNDATION Fieldbus Interface (ROC800-Series)* (ROC800:FFI).

FFI Special Conditions for Safe Use

- Install the equipment in an IP54 or better enclosure or equivalent location. Any enclosure shall be suitably certified or otherwise approved for the zone of use (Zone 2).
- The user shall ensure that the rated input voltage is not exceeded in service.

Declaration of Conformity

Hereby, Remote Automation Solutions declares that the Foundation Fieldbus Interface products are in compliance with the essential requirements and other relevant provisions of European Directives 2004/108/EC (EMC) and 1994/9/EC (ATEX).

CAUTION

When installing units in a hazardous area, make sure all installation components selected are labeled for use in such areas. Installation and maintenance must be performed only when the area is known to be non-hazardous. Installation or maintenance in a hazardous area could result in personal injury or property damage.

Always turn off the power to the Foundation Fieldbus Interface before you attempt any type of wiring. Wiring of powered equipment could result in personal injury or property damage.

To avoid circuit damage when working inside the unit, use appropriate electrostatic discharge precautions, such as wearing a grounded wrist strap.

CAUTION

Check the input power polarity before connecting power to the Foundation Fieldbus Interface.

The following tools are required for installation, maintenance, and troubleshooting:

- Personal computer running Microsoft® Windows® 2000 (with Service Pack 2), Windows XP, or Windows Vista.
- ROCLINK™ 800 Configuration Software.
- Phillips-head screwdriver.
- Flat-head screwdriver.

CPU Specifications
<p>POWER (CPU) 3.56 W at 24 V dc (input supply 10 to 30 V dc).</p> <p>MATERIALS Case: Acrylonitrile Butadiene Styrene (ABS) Plastic. Wire Channel Covers: Polypropylene Plastic. Modules: Thermoplastic polyester, solvent-resistant</p> <p>ENVIRONMENTAL Operating Temp.: –40° to +75°C. Storage Temp.: –40° to +85°C. Relative Humidity: IEC68-2-3; 5–95% non-condensing. Vibration: IEC68-2-6; 0.15 mm or 20 m/sec² Mechanical Shock: IEC68-2-27; 11 milliseconds, sinusoidal 50Gs non-operating, 15 Gs operating Thermal Shock: IEC68-2-14; Air to air from –20° to 85°C</p> <p>WEIGHT Housing, backplane, and CPU: 1.65 kg</p>

H1 Module Specifications
<p>POWER (CPU) 1.18 W (from internal power conditioner or external power supply)</p> <p>OVER-VOLTAGE PROTECTION ± 36 V dc, fieldbus connections + 28 V dc, alarm connections</p> <p>CONDITIONED POWER OUTPUT 18 to 24 V dc; 125 mA maximum; 150 mA over-current fault indication</p> <p>TERMINATOR H1 module with conditioned power option: 100 Ω 1%, 1 uF, 50 V.</p> <p>SEGMENT MODULE IMPEDENCE Compliance with FF standards</p> <p>WEIGHT 100 g</p>

Common Specifications
<p>APPROVALS Evaluated to the following European Standards (EMC): EN55011 (Emissions). EN61000-4-2 (Electrostatic Discharge Immunity). EN61000-4-3 (Electromagnetic Field Immunity). EN61000-4-4 (Electrical Fast Transients Immunity). EN61000-4-6 (Conducted Immunity)</p> <p>Note: Meets performance Criterion B for immunity</p> <p>Evaluated to the following European Standards (ATEX): EN50014 (1997) +A1 +A2. EN60079-15 (2003). Certified by Sira as Model W40203.</p> <p>Product Markings for Hazardous Locations: EEx nA IIC T4 – 40°C ≤ T_{amb} to ≤ +75°C)</p> <p style="text-align: center;">  </p> <p>Cert. No. Sira 05ATEX4046X</p>

MOUNTING THE FFI

You can mount the FFI as either a standalone unit or as an integral part of a ROC827. The ROC827 supports a maximum of **four** backplanes. If the ROC827 already contains four backplanes, you must remove one backplane and replace it with the FFI.

1. You receive the FFI in a box. Remove it from the box. The CPU and H1 modules are installed at the factory.
2. Find a suitable location for the FFI. Always install the FFI in a user-supplied enclosure, as the FFI requires protection from direct exposure to rain, snow, ice, blowing dust or debris, and corrosive atmospheres. If you install the FFI outside a building, place the FFI in an IP54 (or better) rated enclosure.

Note: Seal any holes you make in the enclosure for this purpose to ensure maintenance of the required IP54 rating.

When choosing an enclosure, be sure to check all clearances. Provide adequate clearance for wiring and service. See *Figure 2* and *Figure 3*.

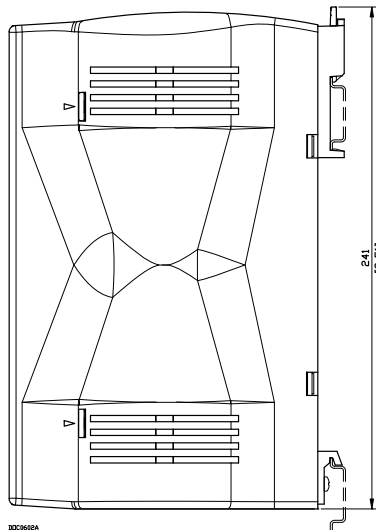


Figure 2. Side View of the FFI

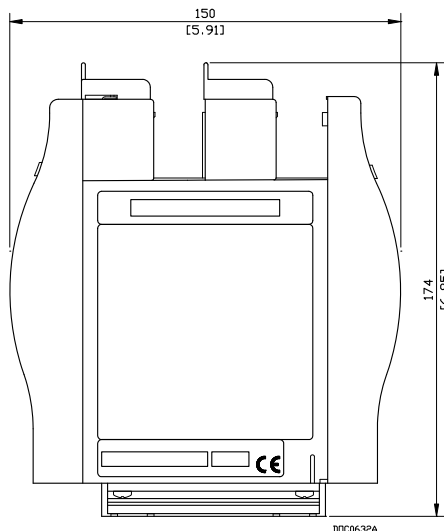


Figure 3. Bottom View of the FFI

3. The FFI housing mounts on two 35 x 7.5 mm DIN rails. See *Figure 4*.
 - Mount the upper DIN rails on the FFI.
 - Mount the bottom DIN rails onto the backplane.
 - Seat the FFI onto the lower rail mounted to the backplane, assuring that the lower edge of the FFI is flush to the panel.
 - Pivot the top of the FFI until it is flush against the panel.
 - Fasten the upper strip of DIN rail to the panel.

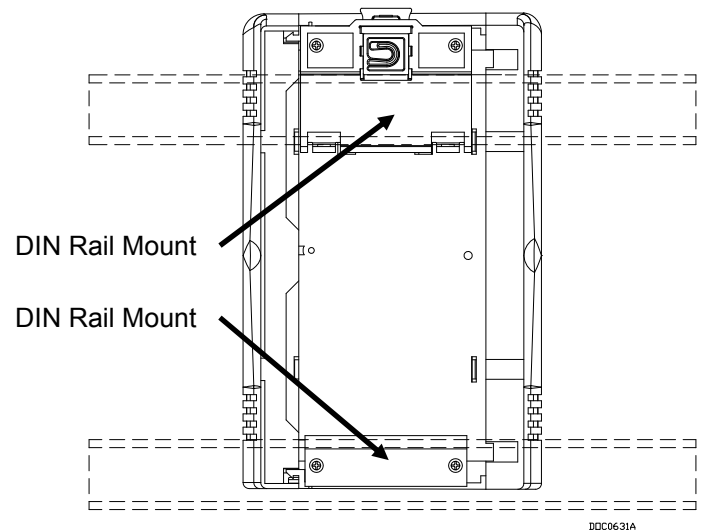


Figure 4. Back of the FFI

WIRING FFI COMPONENTS

Wiring the FFI involves connecting the fieldbus devices to the H1 modules, wiring the H1 modules to external power (if appropriate), and wiring the FFI CPU module to the ROC or to external power. For this document, we suggest you first wire the fieldbus devices to the H1 modules and then wire the FFI to the ROC (or external power) before you apply power.

Note: Modules have removable terminal blocks for convenient wiring and servicing. Twisted-pair cable is recommended for I/O signal wiring. The removable terminal blocks accept 12-22 AWG wire.

Wiring H1 Segment Modules

To wire either the H1 PWR or H1 (unpowered) module:

1. Bare the end (6.4 mm maximum) of the wire.
2. Insert the bared end into the clamp beneath the termination screw.
3. Tighten the screw. See *Figure 5* or *Figure 6*.

Expose a minimum of bare wire to prevent short circuits, but allow some slack when making connections to prevent strain.

The FFI supports up to four of either of two kinds of H1 segment modules. Powered modules (see *Figure 5*) provide up to 125 mA of conditioned power.

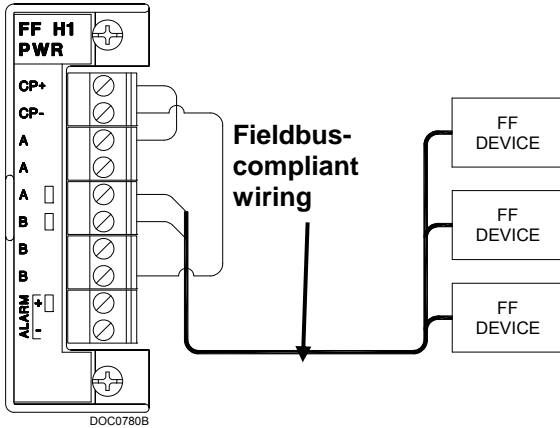


Figure 5. Field Wiring for Powered H1 Module

Table 1 identifies each terminal and its purpose on the powered H1 module.

Table 1. Powered H1 Module Terminals

Terminal	Label	Definition
1	CP+	Conditioned Power Positive
2	CP-	Conditioned Power Negative
3	A	Fieldbus A
4	A	Fieldbus A
5	A	Fieldbus A
6	B	Fieldbus B
7	B	Fieldbus B
8	B	Fieldbus B
9	Alarm+	Over-current open-collector
10	Alarm -	Ground

Use unpowered H1 modules and an external fieldbus-approved conditioned power supply (see Figure 6) when you are uncertain about the power draw or the number of fieldbus devices.

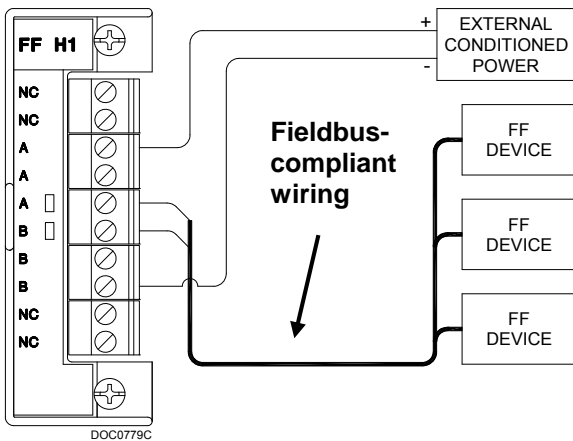


Figure 6. Field Wiring for Unpowered H1 Module

Table 2 identifies each terminal and its purpose on the unpowered H1 module.

Table 2. Unpowered H1 Module Terminals

Terminal	Label	Definition
1	NC	No Connection
2	NC	No Connection
3	A	Fieldbus A
4	A	Fieldbus A
5	A	Fieldbus A
6	B	Fieldbus B
7	B	Fieldbus B
8	B	Fieldbus B
9	NC	No Connection
10	NC	No Connection

Note: The FFI supports up to four H1 modules and you can connect up to 16 fieldbus devices to each module. However, the actual number of devices supported depends on the power consumption of each device and the type of connecting cable in use.

Disabling the Power Conditioner on an H1 PWR Module

If you determine that the amount of power the H1 PWR module provides is insufficient for your device, you can disable the power conditioner on the H1 module and use external conditioned power.

Note: This option is available **only** for an H1 PWR module. You **must** disable the power conditioner on the H1 PWR module before wiring the module to external power. Otherwise you can irreparably damage the module's power conditioner.

To disable the power conditioner:

1. Remove the wire channel cover.
2. Disconnect any wiring to the terminal blocks.
3. Unscrew the two captive screws holding the module in place.
4. Firmly grasp the plastic lip on the edge of the module and gently pull the module from the slot. You may need to gently wiggle the module.
5. Position the module as shown in Figure 7.

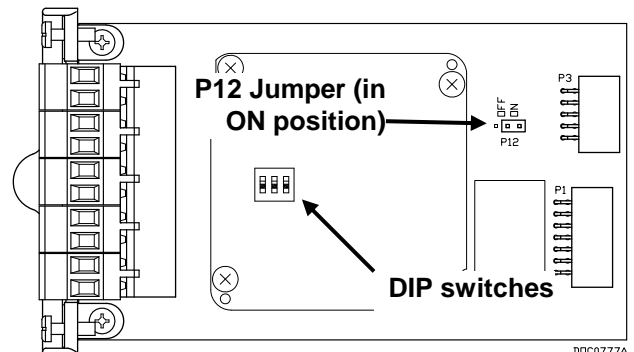


Figure 7. P12 Jumper on H1 PWR Module

6. Move the jumper at P12 from the second and third pins (ON) to the first and second pins (OFF).

Note: Do not adjust or change the DIP switch settings on the H1 module. The switches are factory-set to OFF.
7. Align the module in its slot in the FFI and slide it into the case until the module connectors securely contact the connectors on the backplane.
8. Tighten the captive screws on the front of the module.
9. Wire the module.
10. Replace the wire channel cover.

Wiring the FFI CPU Module

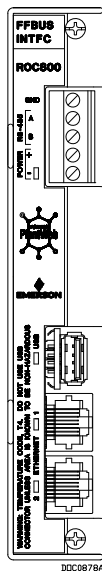


Figure 8. CPU Module Wiring Terminals

Table 3 identifies each terminal and its purpose on the CPU module.

Table 3. CPU Module Terminals

Terminal	Label	Definition
TB1 – 1	GND	Ground
TB1 – 2	A	Not Currently Used
TB1 – 3	B	Not Currently Used
TB1 – 4	+	Power Input Positive
TB1 – 5	-	Power Input Negative
6	USB	Not Currently Used
7	1	Ethernet Port
8	2	Ethernet Port

To connect wiring to the removable block compression terminals on the CPU module:

1. Bare the end (6.4 mm maximum) of the wire.
2. Insert the bared end into the clamp beneath the loosened termination screw.
3. Tighten the screw.

You can wire the FFI either as an integral part of a ROC827 or as a standalone device.

Note: Wiring the FFI to the ROC800 (“integral wiring”) is the preferred method, since it ensures that removing power from the ROC800 CPU also removes power from the FFI.

Wiring the FFI as an Integral Part of a ROC827

Insert the FFI into the ROC827 housing (as shown in Figure 9).

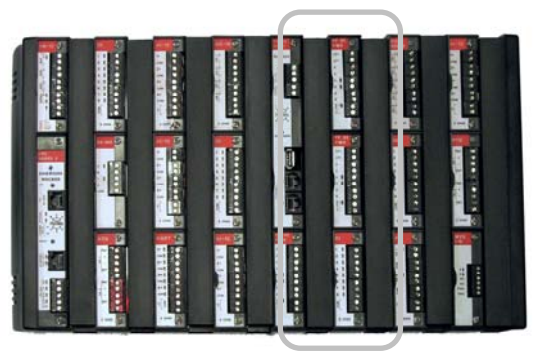


Figure 9. FFI Inserted in ROC827

Note: The ROC827 supports a maximum of **four** backplanes. If the ROC827 already contains four backplanes, you must remove one backplane and replace it with the FFI.

Figure 10 shows an FFI drawing power from a ROC800. Communications to the ROC800 and network would use the Ethernet connections on the FFI.

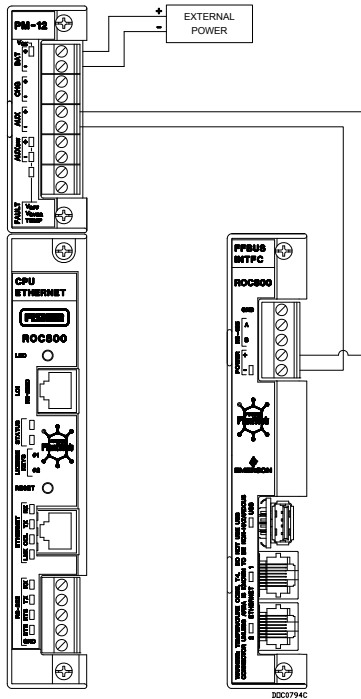


Figure 10. Integral Wiring of the FFI

Wiring the FFI as a Standalone Device

If you choose to configure the FFI as a standalone unit separate from a ROC800, you must wire the FFI to its own power supply. See Figure 11.

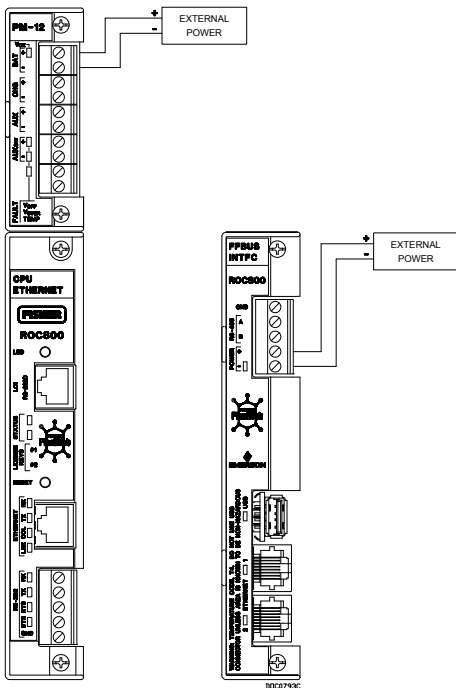


Figure 11. Standalone Wiring of the FFI

GROUNDING THE FFI

If your company has no specific grounding requirements, install the FFI as a “floating”

(unconnected to ground) system. Otherwise, follow your company’s specific grounding practices. However, if you are making a connection between a grounded device and a FFI EIA-485 (RS-485) port, **ground** the FFI power supply.

If you must ground the equipment, observe the following guidelines:

- When the equipment uses a DC voltage source, the grounding system must terminate at the service disconnect. All equipment grounding conductors—including wire or conduit carrying the power supply conductors—must provide an uninterrupted electrical path to the service disconnect.
- Improper grounding or poor grounding practices can often cause problems, such as introducing ground loops into the system. Properly grounding the FFI helps to reduce the effects of electrical noise on the unit’s operation and protects against lightning. Install a surge protection device at the service disconnect on DC voltage source systems to protect the installed equipment against lightning and power surges. You may also consider a telephone surge protector for the dial-up modem communications module.

Connect the power wiring. Determine the power requirements as described in *Chapter 3* of the *Foundation Fieldbus Interface Instruction Manual* (Form A6259).

Verifying the Connection Polarity

1. To make DC power supply connections:
 - If appropriate, perform the backup configuration and log data procedure.
 - Optionally, install a surge protection device at the service disconnect.
 - Remove all other power sources from the ROC800.
 - Install a fuse at the input power source.
 - Remove the terminal block connector from the socket.
 - Insert the bared end of each wire into either the clamp beneath the appropriate BAT+ / BAT– termination screw (for the 12-volt dc source) **OR** into the clamp beneath the appropriate + / - termination screw (for the 24-volt dc source).

Note: The + terminal should also have a fuse.

- Screw each wire into the terminal block. Plug the terminal block connector back into the socket.
 - Replace all other power sources (if necessary) to the FFI.
2. Connect the wiring to the terminal blocks on the H1 Interface modules. Refer to *Chapter 4* of the *Foundation Fieldbus Interface Instruction Manual* (Form A6259) for wiring schematics and explanations.
 3. Press the wire channel covers into place over the wiring channels, once wiring of the terminal blocks is complete. Refer to *Figure 13*.
 4. Apply power to start the FFI. The Power LED indicator on the FFI (see *Figure 13*) should light green to indicate that the applied voltage is correct.
 5. When startup is successful, configure the FFI to meet the requirements of the application. Refer to the *Field Interface Configurator User Manual* (Form A6250). During normal operation and use, no user adjustments on this device are required.
 6. To maintain the FFI, periodically inspect the wiring for signs of deterioration.

Replacing the Fuse

If the server does not function but you believe it has power and the POWER – LED does not light, you may need to replace the 6.3 amp fuse on the CPU module (see *Figure 12*).

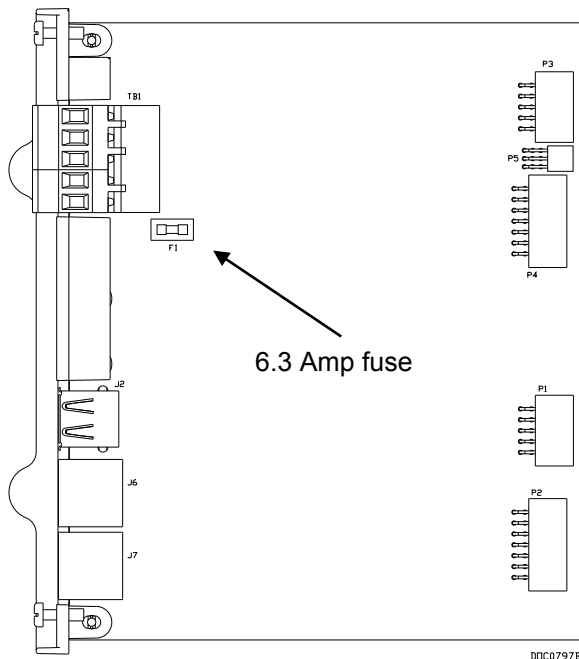


Figure 12. CPU 6.3 Amp Fuse

1. Remove power from the Interface CPU module.
2. Remove the wire channel cover.
3. Disconnect all wiring from the Interface CPU module.
4. Unscrew the two small retaining screws on the front of the CPU module's faceplate.
5. Grasp the lifter tabs on the edge of the CPU module's faceplate and gently lift the CPU module out of its sockets on the backplane. You should feel the module detach from the backplane.
6. Carefully remove the CPU module from the Interface housing. Do not scrape either side of the CPU against the housing. Make sure not to pull on any cables attached to the Interface.
7. Examine the fuse (refer to *Figure 12*) and, if necessary, replace with a MSB 6.3A SB (Slo-Blo) fuse.
8. Place the CPU module into its channel on the housing.
9. Slide the CPU module down into its connectors on the backplane.
10. Tighten the two small retaining screws on the front of the CPU module's faceplate.
11. Reconnect all wiring.
12. Replace the wire channel cover.
13. Restore power to the CPU module.

DISASSEMBLING THE FFI

1. Back up all configuration and log data from the FFI. Then remove all power from the FFI and remove any external wiring from the H1 modules.
2. Remove the FFI housing from the DIN rails by releasing the two DIN rail catches on the top of the back of the housing.
3. Place the FFI into a box for shipping or storage.

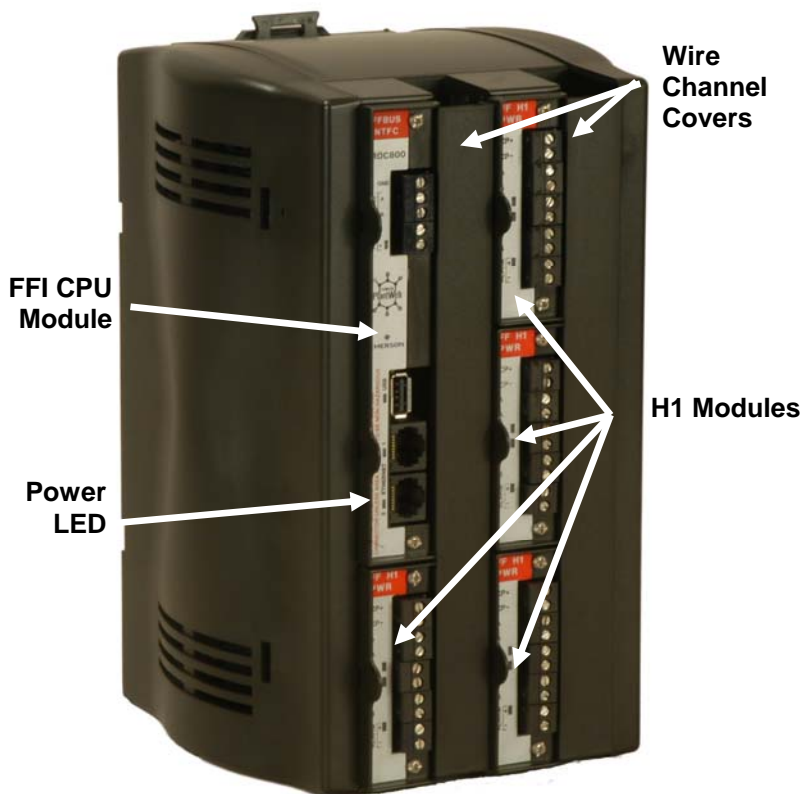


Figure 13. FOUNDATION Fieldbus Interface

Bristol, Inc., Bristol Babcock Ltd, Bristol Canada, BBI SA de CV and the Flow Computer Division, are wholly owned subsidiaries of Emerson Electric Co. doing business as Remote Automation Solutions, a division of Emerson Process Management. FloBoss, ROCLINK, Bristol, Bristol Babcock, ControlWave, TeleFlow and Helicoid are trademarks of Remote Automation Solutions. AMS, PlantWeb and the PlantWeb logo are marks of Emerson Electric Co. The Emerson logo is a trademark and service mark of the Emerson Electric Co. All other marks are property of their respective owners.

The contents of this publication are presented for informational purposes only. While every effort has been made to ensure informational accuracy, they are not to be construed as warranties or guarantees, express or implied, regarding the products or services described herein or their use or applicability. Remote Automation Solutions reserves the right to modify or improve the designs or specifications of such products at any time without notice. All sales are governed by Remote Automation Solutions' terms and conditions which are available upon request. Remote Automation Solutions does not assume responsibility for the selection, use or maintenance of any product. Responsibility for proper selection, use and maintenance of any Remote Automation Solutions product remains solely with the purchaser and end-user.

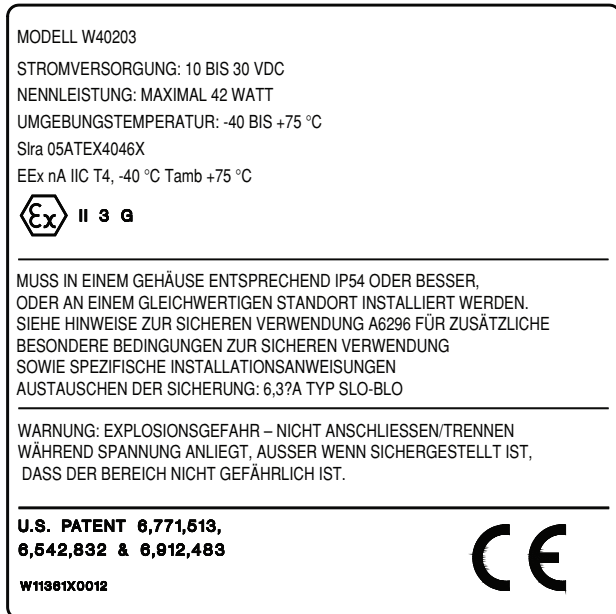
Emerson Process Management

Remote Automation Solutions

Marshalltown, IA 50158 U.S.A.
Houston, TX 77065 U.S.A.
Pickering, North Yorkshire UK Y018 7JA



FOUNDATION™ Fieldbus-Schnittstelle (ROC800-Serie)



DDC0888B

Abbildung 1. FOUNDATION Fieldbus-Schnittstellenetikett

Verwenden Sie das Dokument Hinweise zur sicheren Verwendung (SUI) zusammen mit dem *FOUNDATION Fieldbus-Schnittstellen-Handbuch* (Formblatt A6259). Für vollständige Warnungen und Installationsbeschreibungen sowie Fehlersucheprozeduren siehe Handbuch. Sollten Sie für dieses Produkt Schulung benötigen, wenden Sie sich an Ihr örtliches Verkaufsbüro.

Die Foundation Fieldbus-Schnittstelle (oder „FFI“) mit ATEX-Zulassung kann mit den H1-Segmentmodulen bestellt werden, die in den Technischen Daten *FOUNDATION Fieldbus-Schnittstelle (ROC800-Serie)* (ROC800:FFI) beschrieben sind.

FFI Besondere Bedingungen zur sicheren Verwendung

- Installieren Sie die Ausrüstung in einem Gehäuse entsprechend IP54 oder besser, oder an einem gleichwertigen Standort. Jedes Gehäuse muss angemessen zertifiziert oder auf andere Art für die Verwendungszone (Zone 2) zugelassen sein.
- Der Benutzer muss sicher stellen, dass die Eingangsnennspannung beim Gebrauch nicht überschritten wird.

Konformitätserklärung

Hiermit erklärt Remote Automation Solutions, dass die Foundation Fieldbus-Schnittstellenprodukte mit den wesentlichen Anforderungen und anderen relevanten Bestimmungen der Europäischen Richtlinien 2004/108/EC (EMC) und 1994/9/EC (ATEX) übereinstimmen.



VORSICHT

Stellen Sie bei einer Installation von Einheiten in einem Gefahrenbereich sicher, dass alle ausgewählten Installationskomponenten zur Verwendung in solchen Bereichen gekennzeichnet sind. Installation und Wartung dürfen nur dann ausgeführt werden, wenn sichergestellt ist, dass der Bereich nicht gefährlich ist. Installation oder Wartung in einem Gefahrenbereich könnten zu Verletzungen oder Ausrüstungsschäden führen.

Schalten Sie immer die Stromversorgung zur Foundation Fieldbus-Schnittstelle ab, bevor Sie mit der Verdrahtung gleich welcher Art beginnen. Die Verdrahtung von unter Spannung stehender Ausrüstung könnte zu Verletzungen oder Ausrüstungsschäden führen.

Um Stromkreisschäden zu vermeiden, wenn Sie innerhalb der Einheit arbeiten, treffen Sie Sicherheitsmassnahmen für elektrostatische Entladung, z. B. Tragen eines geerdeten Handgelenkbandes.



VORSICHT

Prüfen Sie die Polarität des Eingangsstroms, bevor Sie die Foundation Fieldbus-Schnittstelle anschließen.

Folgende Werkzeuge sind für Installation, Wartung und Fehlersuche erforderlich:

- PC mit Microsoft® Windows® 2000 (mit Service Pack 2), Windows XP oder Windows Vista.
- ROCLINK™ 800-Konfigurationssoftware.
- Kreuzschlitzschraubendreher.
- Schlitzschraubendreher.

CPU-Spezifikationen**LEISTUNG (CPU)**

3,56 W bei 24 VDC (Eingangsvorsorgung 10 bis 30 VDC).

MATERIAL

Gehäuse: Akrylnitril-Butadien-Styrol (ABS)-Kunststoff.

Kabelkanalabdeckungen: Polypropylen-Kunststoff.

Module: Thermoplastisches Polyester, lösemittelbeständig

UMGEBUNG

Betriebstemperatur: –40 bis +75 °C.

Lagerungstemperatur: –40 bis +85 °C.

Relative Feuchte: IEC68-2-3; 5–95 % nicht kondensierend.

Vibration: IEC68-2-6; 0,15 mm oder 20 m/sec²

Mechanischer Schock: IEC68-2-27; 11 Millisekunden, sinusförmige 50 Gs nicht operativ, 15 Gs operativ

Thermischer Schock: IEC68-2-14; Temperaturwechsel von –20 auf 85 °C

GEWICHT

Gehäuse, Rückwandplatine und CPU: 1,65 kg

H1-Modulspezifikationen**LEISTUNG (CPU)**

1,18 W (vom internen Stromregler oder externer Stromversorgung)

ÜBERSPANNUNGSSCHUTZ

± 36 VDC, Fieldbus-Anschlüsse

+ 28 VDC, Alarmanschlüsse

GEREGELTE LEISTUNGSABGABE

18 bis 24 VDC; maximal 125 mA;

Überstrom-Fehleranzeige 150 mA

ABSCHLUSSWIDERSTAND

H1-Modul mit Leistungsregelungsoption:

100 1 %, 1 uF, 50 V.

SEGMENTMODULIMPEDANZ

Übereinstimmung mit FF Standards

GEWICHT

100 g

Allgemeine Spezifikationen**ZULASSUNGEN**

Bewertet nach den folgenden europäischen Normen (EMC):

EN55011 (Störabstrahlung).

EN61000-4-2 (Störfestigkeit gegen elektrostatische Entladung).

EN61000-4-3 (Störfestigkeit gegen elektromagnetische Felder)

EN61000-4-4 (Störfestigkeit gegen schnelle elektrische Einschwingvorgänge).

EN61000-4-6 (Leitungsgeführte Störfestigkeit)

Hinweis: Erfüllt Leistungskriterium B für Störfestigkeit

Bewertet nach den folgenden europäischen Normen (ATEX):

EN50014 (1997) +A1 +A2.

EN60079-15 (2003).

Zertifiziert von Sira als Modell W40203.

Produktmarkierungen für Gefahrenbereiche:

EEx nA IIC T4 – 40 °C ≤ T_{amb} bis ≤ +75 °C)



II 3 G.

Zertifikat Nr. Sira 05ATEX4046X

MONTAGE DES FFI

Sie können die FFI entweder als eigenständige Einheit oder als integrierten Bestandteil einer ROC827 montieren. Die ROC827 unterstützt maximal vier Rückwandplatinen. Wenn die ROC827 bereits vier Rückwandplatinen enthält, müssen Sie eine Rückplatine entfernen und durch die FFI ersetzen.

1. Die FFI wird in einer Box geliefert. Entnehmen Sie sie aus der Box. Die CPU und H1-Module werden im Werk installiert.
2. Suchen Sie eine geeignete Stelle für die FFI. Installieren Sie die FFI immer in einem vom Benutzer bereitgestellten Gehäuse, da die FFI Schutz vor direkter Einwirkung durch Regen, Schnee, Eis, verblasenem Staub oder Rückständen sowie korrosiven Atmosphären benötigt. Wenn Sie die FFI außerhalb eines Gebäudes installieren, platzieren Sie die FFI in einem Gehäuse entsprechend IP54 (oder besser).

Hinweis: Dichten Sie alle Löcher ab, die Sie zu diesem Zweck in das Gehäuse einbringen, um die Aufrechterhaltung der Schutzart IP54 sicherzustellen.

Prüfen und kontrollieren Sie bei der Auswahl eines Gehäuses alle Freiräume. Sorgen Sie für angemessenen Freiraum für Verdrahtung und Wartung. Siehe *Abbildung 2* und *Abbildung 3*.

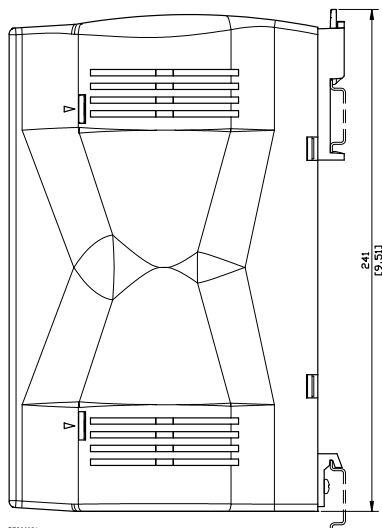


Abbildung 2. Seitenansicht der FFI

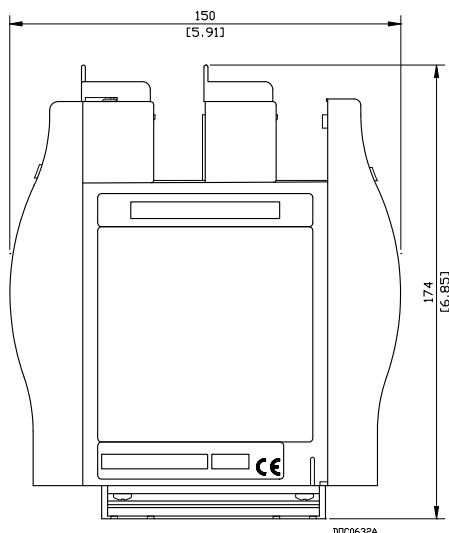


Abbildung 3. Untersicht der FFI

3. Das FFI-Gehäuse wird auf zwei DIN-Schienen mit 35 x 7,5 mm montiert. Siehe *Abbildung 4*.

Montieren Sie die oberen DIN-Schienen an der FFI.

Montieren Sie die unteren DIN-Schienen an der Rückwandplatine.

Setzen Sie die FFI auf die an der Rückwandplatine montierte untere Schiene und achten dabei darauf, dass die Unterkante der FFI mit der Platine bündig ist.

Drehen Sie die Oberseite der FFI so weit, bis sie bündig an der Platine anliegt.

Ziehen Sie den oberen Streifen der DIN-Schiene an der Platine fest.

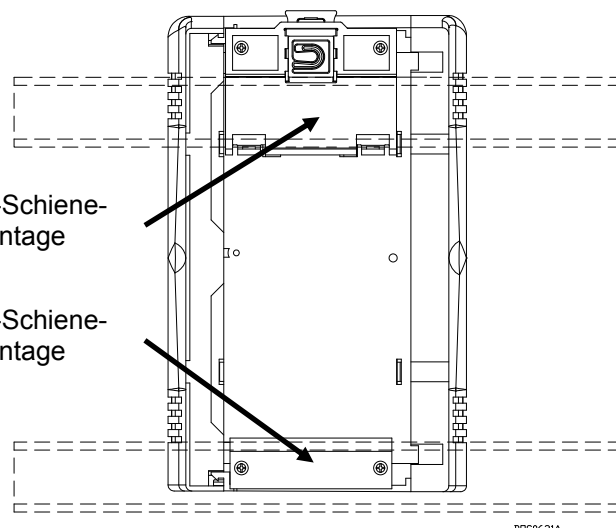


Abbildung 4. Rückseite der FFI

VERDRAHTUNG DER FFI-KOMPONENTEN

Die Verdrahtung der FFI umfasst das Verbinden der Fieldbus-Geräte mit den H1-Modulen, Verdrahtung der H1-Module mit externer Stromversorgung (wenn geeignet), und Verdrahtung des FFI CPU-Moduls mit der ROC oder mit externer Stromversorgung. In diesem Dokument schlagen wir Ihnen vor, dass Sie zuerst die Fieldbus-Geräte mit den H1-Modulen, und dann die FFI mit der ROC (oder externer Stromversorgung) verdrahten, bevor Sie Spannung anlegen.

Hinweis: Die Module verfügen über entfernbare Klemmenleisten für einfache Verdrahtung und Wartung. Für die I/O-Signalverdrahtung wird ein verdrehtes Kabelpaar empfohlen. Die entfernbaren Klemmenleisten können Drähte von AWG 12-22 aufnehmen.

Verdrahtung der H1-Segmentmodule

Um entweder das H1 PWR oder H1-Modul (stromlos) zu verdrahten:

1. Isolieren Sie das Ende des Drahtes ab (maximal 6,4 mm).
2. Führen Sie das abisolierte Ende unter der Klemmschraube ein.
3. Ziehen Sie die Schrauben an. Siehe *Abbildung 5* oder *Abbildung 6*.

Legen Sie ein Minimum an blankem Draht frei, um Kurzschluss zu vermeiden, aber lassen Sie den Draht bei der Herstellung von Verbindungen ausreichend locker, um Zugspannung zu vermeiden.

Die FFI unterstützt bis zu vier von einer von zwei Arten von H1-Segmentmodulen. Stromversorgungsmodule (siehe *Abbildung 5*) stellen bis zu 125 mA an geregelter Leistung bereit.

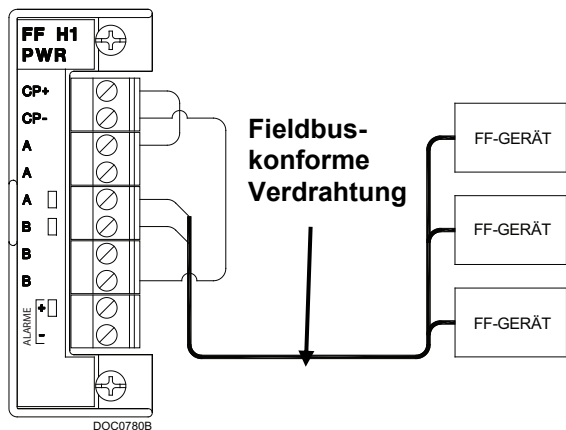


Abbildung 5. Feldverdrahtung für stromversorgtes H1-Modul

Tabelle 1 identifiziert jede Klemme und ihren Zweck bei dem stromversorgten H1-Modul.

Tabelle 1. Stromversorgte H1-Modulklemmen

Klemme	Etikett	Definition
1	CP+	Geregelter Strom positiv
2	CP-	Geregelter Strom negativ
3	A	Fieldbus A
4	A	Fieldbus A
5	A	Fieldbus A
6	B	Fieldbus B
7	B	Fieldbus B
8	B	Fieldbus B
9	Alarm+	Überstrom offener Kollektor
10	Alarm -	Masse

Verwenden Sie stromlose H1-Module und eine für einen Fieldbus zugelassene, externe, geregelte Stromversorgung (Siehe Abbildung 6), wenn Sie unsicher in Bezug auf die Leistungsaufnahme oder die Anzahl von Fieldbus-Geräten sind.

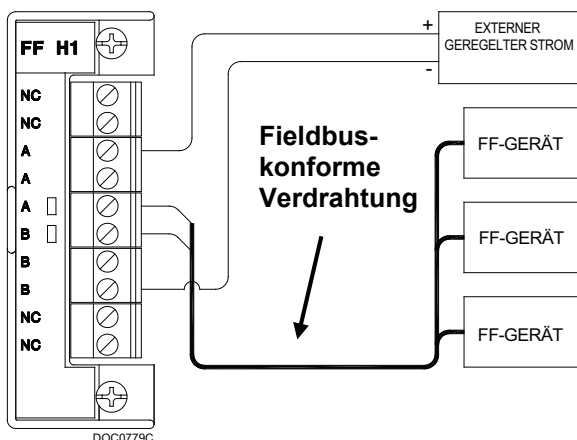


Abbildung 6. Feldverdrahtung für stromloses H1-Modul

Tabelle 2 identifiziert jede Klemme und ihre Funktion bei dem stromlosen H1-Modul.

Tabelle 2. Stromlose H1-Modulklemmen

Klemme	Etikett	Definition
1	Öffner	Keine Verbindung
2	Öffner	Keine Verbindung
3	A	Fieldbus A
4	A	Fieldbus A
5	A	Fieldbus A
6	B	Fieldbus B
7	B	Fieldbus B
8	B	Fieldbus B
9	Öffner	No Connection
10	Öffner	No Connection

Hinweis: Die FFI unterstützt bis zu vier H1-Module, und Sie können an jedes Modul bis zu 16 Fieldbus-Geräte anschließen. Die tatsächliche Anzahl unterstützter Geräte ist jedoch von dem Stromverbrauch jedes Geräts, und der Art von verwendetem Verbindungskabel abhängig.

Deaktivierung des Leistungsreglers am H1-PWR-Modul

Wenn Sie feststellen, dass der vom H1-PWR-Modul bereitgestellte Leistungsbetrag für Ihr Gerät nicht ausreicht, können Sie den Leistungsregler am H1-PWR-Modul deaktivieren und extern geregelten Strom verwenden.

Hinweis: Diese Option ist **nur** für ein H1-PWR-Modul verfügbar. Sie **müssen** den Leistungsregler am H1-PWR-Modul deaktivieren, bevor Sie das Modul an die externe Stromversorgung anschließen. Andernfalls kann der Leistungsregler des Moduls irreparabel beschädigt werden.

Deaktivierung des Leistungsreglers:

- Entfernen Sie die Kabelkanalabdeckung.
- Trennen Sie jede Verdrahtung von den Klemmenleisten.
- Lösen Sie die zwei unverlierbaren Schrauben, die das Modul in seiner Position halten.
- Erfassen Sie die Kunststofflippe an der Kante des Moduls mit festem Griff, und ziehen Sie das Modul vorsichtig von dem Slot ab. Möglicherweise müssen Sie das Modul vorsichtig hin- und herbewegen.
- Positionieren Sie das Modul entsprechend der Darstellung in Abbildung 7.

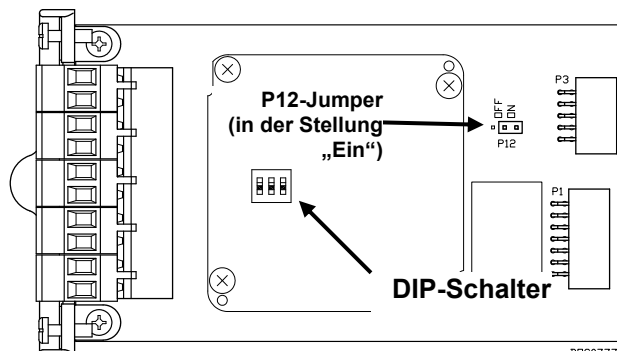


Abbildung 7. P12-Jumper am H1-PWR-Modul

6. Bewegen Sie den Jumper bei P12 von den zweiten und dritten Stiften (EIN) zu den ersten und zweiten Stiften (AUS).

Hinweis: Die Einstellungen für die DIP-Schalter am H1-PWR-Modul **nicht** verstellen oder ändern. Die Schalter sind ab Werk auf AUS gestellt.

7. Richten Sie das Modul in seinem Slot in der FFI aus, und schieben Sie es in das Gehäuse, bis die Modulkonnektoren sicheren Kontakt mit den Steckplätzen an der Rückwandplatine haben.
8. Ziehen Sie die unverlierbaren Schrauben auf der Vorderseite des Moduls an.
9. Verdrahten Sie das Modul.
10. Setzen Sie die Kabelkanalabdeckung wieder auf.

Verdrahtung des FFI CPU-Moduls

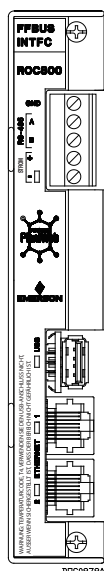


Abbildung 8. CPU-Modul Verdrahtungsklemmen

Tabelle 3 identifiziert jede Klemme und ihre Funktion bei dem CPU-Modul.

Tabelle 3. CPU-Modulklemmen

Klemme	Etikett	Definition
TB1 – 1	ERDUNG	Masse
TB1 – 2	A	Derzeit nicht verwendet
TB1 – 3	B	Derzeit nicht verwendet
TB1 – 4	+	Stromversorgung positiv
TB1 – 5	-	Stromversorgung negativ
6	USB	Derzeit nicht verwendet

Anschließen der Leitungen an die abnehmbare Crimp-Klemmenleiste am CPU-Modul:

1. Isolieren Sie das Ende des Drahtes ab (maximal 6,4 mm).
2. Führen Sie das abisolierte Ende unter der gelösten Klemmschraube ein.
3. Ziehen Sie die Schrauben an.

Sie können die FFI entweder als eigenständige Einheit oder als integrierten Bestandteil einer ROC827 verdrahten.

Hinweis: Die Verdrahtung der FFI mit der ROC800 („integrierte Verdrahtung“) ist das bevorzugte Verfahren, da hierdurch sichergestellt wird, dass beim Unterbrechen der Stromversorgung von der ROC800 CPU auch die Stromversorgung der FFI unterbrochen wird.

Verdrahtung der FFI als integrierter Bestandteil einer ROC827

Führen Sie die FFI in das ROC827-Gehäuse ein (wie in *Abbildung 9* dargestellt).

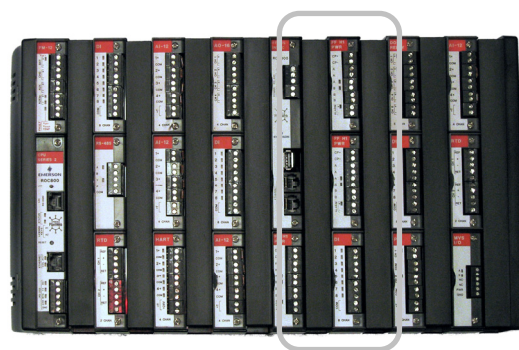


Abbildung 9. FFI in ROC827 eingeführt

Hinweis: Die ROC827 unterstützt maximal vier Rückwandplatinen. Wenn die ROC827 bereits vier Rückwandplatinen enthält, müssen Sie eine Rückplatte entfernen und durch die FFI ersetzen.

Abbildung 10 zeigt eine FFI, die Leistung von einer ROC800 aufnimmt. Zur Kommunikation mit der ROC800 und mit dem Netzwerk werden die Ethernet-Anschlüsse an der FFI verwendet.

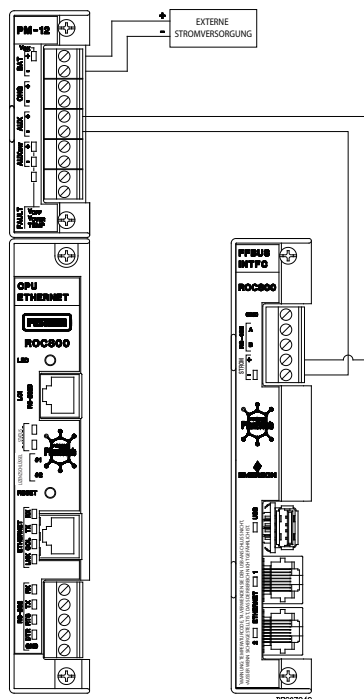


Abbildung 10. Integrierte Verdrahtung der FFI

Verdrahtung der FFI als eigenständiges Gerät

Wenn Sie sich dazu entschließen, die FFI als eigenständiges Gerät getrennt von einer ROC800 zu verdrahten, müssen Sie die FFI mit ihrer eigenen Stromversorgung verdrahten. Siehe *Abbildung 11*.

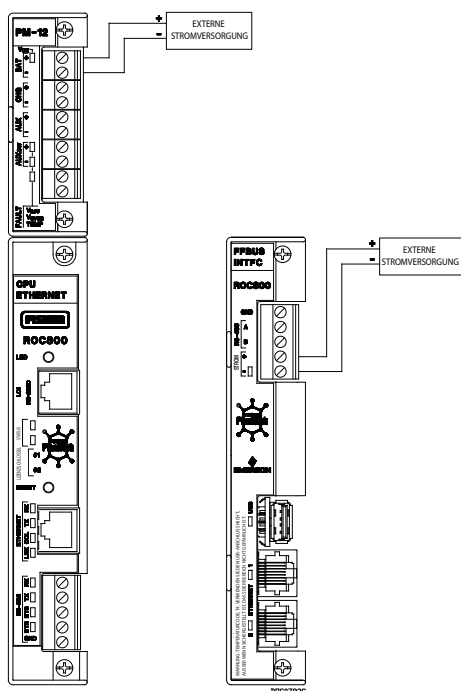


Abbildung 11. Eigenständige Verdrahtung der FFI

ERDUNG DER FFI

Wenn es in Ihrem Unternehmen keine speziellen Erdungsvorschriften gibt, installieren Sie die FFI als ein

„schwimmendes“ (ungeerdetes) System. Ansonsten halten sie sich an die speziellen Erdungsverfahren Ihres Unternehmens. Wenn Sie jedoch eine Verbindung zwischen einem geerdeten Gerät und einem FFI EIA-485 (RS-485)-Port herstellen, **erden** Sie die FFI-Stromversorgung.

Wenn sie die Ausrüstung erden müssen, beachten Sie die folgenden Richtlinien:

Wenn bei der Ausrüstung eine DC-Spannungsquelle zum Einsatz kommt, muss das Erdungssystem am Betriebsunterbrecher abgeschlossen werden. Alle Erdungsleiter der Ausrüstung, einschließlich aller Drähte oder Leitungen, die die Stromzufuhr enthalten, müssen mit durchgehender elektrischer Leitung am Betriebsunterbrecher abschließen.

Unsachgemäße Erdungs- oder schlechte Erdungsverfahren können oftmals zu Problemen führen, wie z. B. das Einführen von Erdungsschleifen in das System. Eine ordnungsgemäße Erdung der FFI fördert die Verringerung der Auswirkungen von elektrischem Rauschen beim Betrieb der Einheit und schützt vor Blitzschlag. Installieren Sie eine Überspannungsschutzvorrichtung am Betriebsunterbrecher in DC-Spannungsquellsystemen, um die installierte Ausrüstung vor Blitzschlag und Stromstößen zu schützen. Sie können auch die Verwendung eines Telefonüberspannungsschutzes für das Einwahlmodem-Kommunikationsmodul in Erwägung ziehen.

Schließen Sie die Netzverkabelung an. Bestimmen Sie die Leistungsanforderungen, wie in *Kapitel 3* des *Foundation Fieldbus-Schnittstellen-Handbuchs* (Formblatt A6259) beschrieben.

Überprüfung der Anschlusspolarität

1. Herstellen der DC-Stromversorgungsverbindungen:

Wenn geeignet, führen Sie das Backup-Konfigurations- und Datenprotokollierungsverfahren durch.

Installieren Sie optional eine Überspannungsschutzvorrichtung am Betriebsunterbrecher.

Entfernen Sie alle anderen Stromquellen von der ROC800.

Installieren Sie eine Sicherung an der Eingangstromquelle.

Entfernen Sie den Klemmenleistenanschluss von der Buchse.

Führen Sie das abisolierte Ende von jedem Draht entweder unter der passenden BAT+ / BAT- Klemmschraube (für die 12-VDC-Quelle), **ODER** in die passende Klemme unter der passenden + / -Klemmschraube (für die 24-VDC-Quelle) in die Klemme ein.

Hinweis: Die + Klemme sollte ebenfalls über eine Sicherung verfügen.

Schrauben Sie jeden Draht in die Klemmenleiste. Stecken Sie den Klemmenleistenanschluss wieder in die Buchse ein.

Bringen Sie alle anderen Stromquellen (sofern notwendig) wieder an der FFI an.

2. Schließen Sie die Verdrahtung an den Klemmenleisten an den H1-Schnittstellenmodulen an. Siehe *Kapitel 4* des *Foundation Fieldbus-Schnittstellen-Handbuchs* (Formblatt A6259) für Verdrahtungspläne und Erklärungen.
3. Drücken Sie die Kabelkanalabdeckungen in ihre Position über den Kabelkanälen, sobald die Verdrahtung der Klemmenleisten vollständig ist. Siehe *Abbildung 13*.
4. Legen Sie Spannung an der FFI an. DIE LED-Stromanzeige an der FFI (siehe *Abbildung 13*) sollte grün leuchten um anzuzeigen, dass die Spannung korrekt ist.
5. Wenn die Inbetriebsetzung erfolgreich ist, konfigurieren Sie die FFI so, dass sie die Anforderungen der Anwendung erfüllt. Siehe *Feldschnittstellen-Konfigurations-Handbuch* (Formblatt A6250). Während normalem Betrieb und Verwendung sind bei diesem Gerät keine Benutzereinstellungen erforderlich.
6. Um die FFI zu warten, führen Sie regelmäßig eine Sichtprüfung der Verdrahtung auf Anzeichen von Beschädigungen durch.

Austausch der Sicherung

Wenn der Server nicht funktioniert und Sie aber davon überzeugt sind, dass er Stromversorgung hat, und die POWER-LED nicht leuchtet, müssen Sie möglicherweise die 6,3 A-Sicherung am CPU-Modul austauschen (siehe *Abbildung 12*).

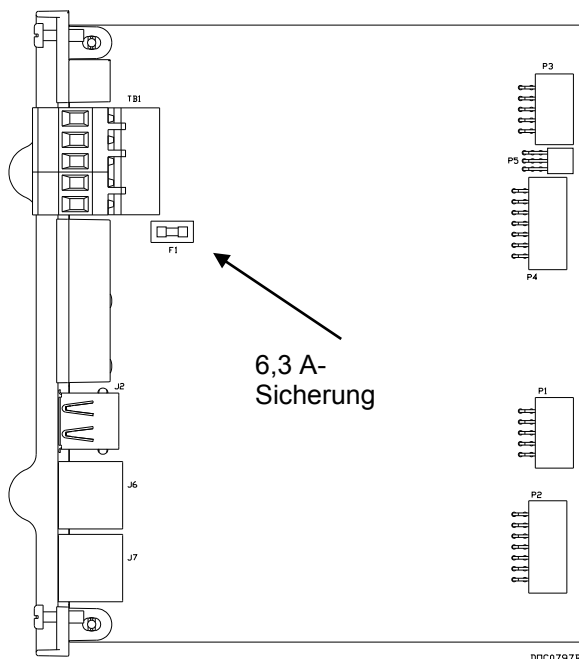


Abbildung 12. CPU 6,3 A-Sicherung

1. Unterbrechen Sie die Stromversorgung des CPU-Moduls der Schnittstelle.
2. Entfernen Sie die Kabelkanalabdeckung.
3. Trennen Sie die gesamte Verdrahtung von dem CPU-Modul der Schnittstelle.
4. Lösen Sie die zwei kleinen Befestigungsschrauben an der Vorderseite bzw. der Blende des CPU-Moduls.
5. Erfassen Sie die Hebelaschen an der Kante der Blende des CPU-Moduls und ziehen Sie das CPU-Modul von seinen Steckplätzen auf der Rückwandplatine ab. Sie sollten spüren, wie sich das Modul von der Rückwandplatine löst.
6. Entfernen Sie das CPU-Modul vorsichtig aus dem Schnittstellengehäuse. Kratzen Sie auf keiner Seite der CPU am Gehäuse. Stellen Sie sicher, dass Sie an keinem an der Schnittstelle befestigten Kabel ziehen.
7. Überprüfen Sie die Sicherung (siehe *Abbildung 12*) und tauschen Sie sie, sofern notwendig, gegen eine MSB 6,3 A SB (Slo-Blö)-Sicherung aus.
8. Positionieren Sie das CPU-Modul in seinem Kanal auf dem Gehäuse.
9. Schieben Sie das CPU-Modul in seine Steckplätze auf der Rückwandplatine nach unten.
10. Ziehen Sie die zwei kleinen Befestigungsschrauben an der Vorderseite bzw. der Blende des CPU-Moduls an.
11. Schließen Sie die gesamte Verdrahtung wieder an.
12. Setzen Sie die Kabelkanalabdeckung wieder auf.
13. Aktivieren Sie wieder die Stromversorgung des CPU-Moduls.

DEMONTAGE DER FFI

1. Führen Sie ein Backup von allen Konfigurations- und Protokolldaten der FFI durch. Unterbrechen Sie dann die gesamte Stromversorgung der FFI und entfernen Sie jede externe Verdrahtung von den H1-Modulen.
2. Entfernen Sie das FFI-Gehäuse von den DIN-Schienen, indem Sie die zwei DIN-Schienen-Verriegelungselemente oben auf der Rückseite des Gehäuses lösen.
3. Legen Sie die FFI zwecks Versand oder Lagerung in eine Box.

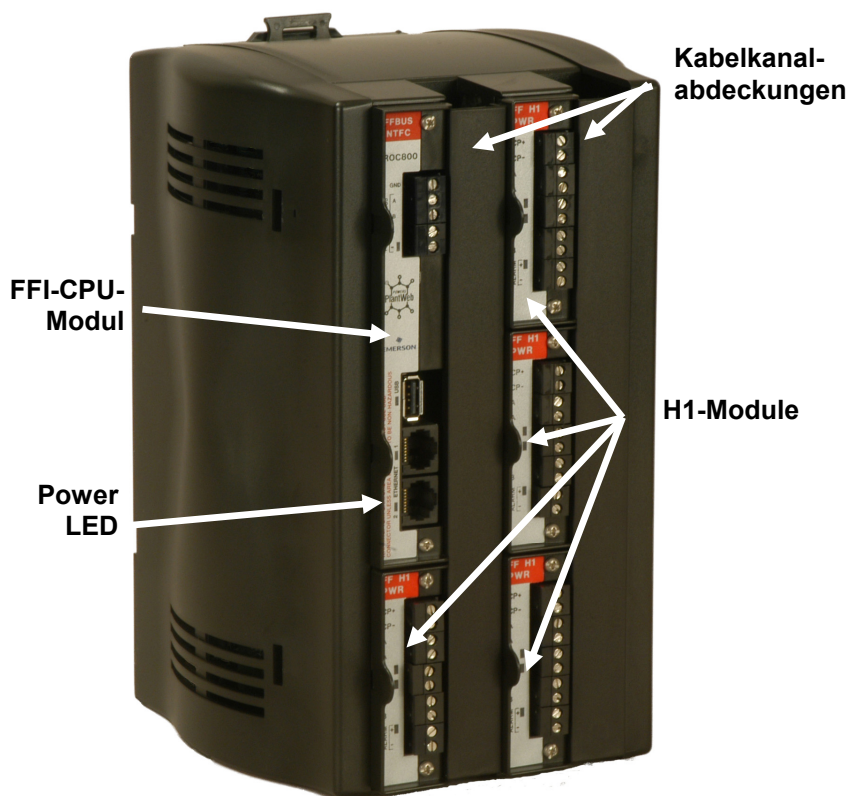


Abbildung 13. FOUNDATION Fieldbus-Schnittstelle

Bristol, Inc., Bristol Babcock Ltd, Bristol Canada, BBI SA de CV und Flow Computer Division sind hundertprozentige Tochtergesellschaften von Emerson Electric Co., die ihr Geschäft als Remote Automation Solutions („RAS“), einem Geschäftsbereich von Emerson Process Management, führt. FloBoss, ROCLINK, Bristol, Bristol Babcock, ControlWave, TeleFlow und Helicoid sind Warenzeichen von RAS. AMS, PlantWeb und das PlantWeb-Logo sind Marken der Emerson Electric Co. Das Emerson-Logo ist Warenzeichen und Service-Marke der Emerson Electric Co. Alle anderen Marken sind Eigentum der entsprechenden Inhaber.

Die Inhalte dieser Veröffentlichung dienen ausschließlich Informationszwecken. Trotz größter Sorgfalt hinsichtlich Richtigkeit und Vollständigkeit der Informationen ist eine Haftung oder Garantie, ausdrücklich oder stillschweigend, für die hier beschriebenen Produkte oder Dienstleistungen, deren Verwendung oder Anwendbarkeit jedoch ausgeschlossen. RAS behält sich das Recht vor, ohne vorherige Ankündigung Entwürfe oder Spezifikationen von jeglichen Produkten zu ändern. Alle Verkäufe unterliegen den Geschäftsbedingungen von RAS, die auf Anfrage erhältlich sind. RAS übernimmt keine Verantwortung für Auswahl, Verwendung oder Wartung von jeglichen Produkten. Die Verantwortung für Auswahl, Verwendung oder Wartung von jeglichen RAS-Produkten liegt ausschließlich beim Käufer und Endbenutzer.

Emerson Process Management

Remote Automation Solutions

Marshalltown, IA 50158 U.S.A.

Houston, TX 77065 U.S.A.

Pickering, North Yorkshire UK Y018 7JA



Interface de bus de terrain FOUNDATION™ (série ROC800)



Figure 1. ÉTIQUETTE DE L'INTERFACE DE BUS DE TERRAIN FOUNDATION

Utilisez les présentes Instructions d'utilisation et de sécurité avec le *Manuel d'instructions de l'interface de bus de terrain FOUNDATION* (modèle A6259). Consultez ce manuel pour obtenir toutes les mesures de précaution, explications d'installation et procédures de dépannage. Pour toute formation concernant ce produit, veuillez contacter votre bureau de vente local.

Vous pouvez commander l'interface de bus de terrain Foundation (ou « IBT ») homologuée ATEX avec les modules de segment H1 décrits dans les caractéristiques techniques de *l'interface de bus de terrain FOUNDATION (série ROC800)* (ROC800 : IBT).

Conditions spéciales d'utilisation de l'IBT

- Installez l'équipement dans un boîtier IP54 ou supérieur, ou un logement équivalent. Le boîtier devra être certifié ou tout du moins approuvé pour un usage dans la zone prévue (Zone 2).
- L'utilisateur devra s'assurer que la tension d'entrée nominale n'excède pas la limite autorisée en fonctionnement.

Certificat de conformité

Remote Automation Solutions déclare par la présente que les produits d'interface de bus de terrain Foundation sont conformes aux principales exigences et autres dispositions des directives européennes 2004/108/CE (EMC) et 1994/9/CE (ATEX).

ATTENTION

Si les unités sont installées dans une zone à risque, assurez-vous que l'étiquette de chacun des composants choisis autorise son usage dans une telle zone. L'installation et la maintenance doivent uniquement être réalisées lorsque la zone est sans risque. L'installation ou la maintenance dans une zone à risque pourrait entraîner des blessures ou des dégâts matériels.

Éteignez toujours l'interface de bus de terrain Foundation avant toute intervention liée aux fils. Toute intervention sur un équipement branché pourrait entraîner des blessures ou des dégâts matériels.

Pour éviter d'endommager les circuits lors d'une intervention à l'intérieur de l'unité, appliquez toutes les précautions pertinentes concernant les décharges électrostatiques (notamment, le port d'un bracelet anti-statique).

ATTENTION

Vérifiez la polarité de l'alimentation avant de brancher l'interface de bus de terrain Foundation.

Voici la liste des outils nécessaires pour l'installation, la maintenance et le dépannage :

- Un ordinateur exécutant Microsoft® Windows® 2000 (avec Service Pack 2), Windows XP ou Windows Vista.
- Logiciel de configuration ROCLINK™ 800.
- Un tournevis Phillips.
- Un tournevis à tête plate.

Caractéristiques de l'unité centrale

ALIMENTATION (UNITÉ CENTRALE)

3,56 W à 24 Vc.c. (tension d'alimentation de 10 à 30 Vc.c.).

MATERIAUX

Boîtier : plastique acrylonitrile-butadiène-styrène.

Caches des chemins de fil : plastique polypropylène.

Modules : polyester thermoplastique résistant aux solvants

CONDITIONS AMBIANTES

Temp. fonctionnement : -40 ° à +75 °C.

Temp. stockage : -40 ° à +85 °C.

Humidité relative : IEC68-2-3 ; 5–95 % sans condensation.

Vibrations : IEC68-2-6 ; 0,15 mm ou 20 m/s²

Choc mécanique : IEC68-2-27 ;

11 millisecondes, stabilité sinusoïdale de 50 G/s hors fonctionnement, 15 G/s en fonctionnement

Choc thermique : IEC68-2-14 ; air-air de -20 ° à 85 °C

POIDS

Boîtier, fond de panier et unité centrale : 1,65 kg

Spécifications du module H1

ALIMENTATION (UNITÉ CENTRALE)

1,18 W (du conditionneur interne ou d'une source externe)

PROTECTION CONTRE LES SURTENSIONS

± 36 Vc.c., raccords du bus de terrain
+ 28 Vc.c., raccords de l'alarme

SORTIE D'ALIMENTATION CONDITIONNÉE

18 à 24 Vc.c. ; 125 mA maximum ; signal de panne pour surtension 150 mA

TERMINAISON

Module H1 avec option d'alimentation conditionnée : 100 Ω 1 %, 1 uF, 50 V.

IMPÉDANCE DU MODULE DU SEGMENT

Conforme aux normes FF

POIDS

100 g

Normes habituelles

HOMOLOGATIONS

Conforme aux normes européennes (EMC) suivantes :

EN55011 (émissions).

EN61000-4-2 (immunité aux décharges électrostatiques).

EN61000-4-3 (immunité aux champs électromagnétiques)

EN61000-4-4 (immunité aux transitoires électriques rapides en salves).

EN61000-4-6 (immunité aux perturbations conduites)

Remarque : conforme au critère de performance B en termes d'immunité

Conforme aux normes européennes (ATEX) suivantes :

EN50014 (1997) +A1 +A2.

EN60079-15 (2003).

Certifiée par Sira en tant que modèle W40203.

Indications pour zones à risque :

EEx nA IIC T4 – 40 °C ≤ T_{amb} à ≤ +75 °C)



N° cert. Sira 05ATEX4046X

MONTAGE DE L'IBT

Vous pouvez monter l'IBT comme unité autonome ou en l'intégrant à un ROC827. Un ROC827 peut recevoir au maximum **quatre** fonds de panier. Si votre ROC827 contient déjà quatre fonds de panier, vous devez en retirer un pour installer l'IBT.

1. L'IBT vous est livrée dans un carton. Sortez-la du carton. Le module d'unité centrale et le module H1 sont installés en usine.
2. Trouvez l'emplacement idéal de l'IBT. Installez toujours l'IBT dans un boîtier (non fourni), l'IBT devant être protégée de la pluie, de la neige, du givre, de la poussière et des atmosphères corrosives. Si vous installez l'IBT en extérieur, placez-la dans un boîtier IP54 (ou supérieur).

Remarque : bouchez tous les trous percés dans le boîtier au moment de la pause pour vous assurer de son étanchéité.

Au moment de choisir un boîtier, tenez compte des espaces nécessaires. Prévoyez un espace suffisant pour les fils et le dépannage. Consultez la *figure 2* et la *figure 3*.

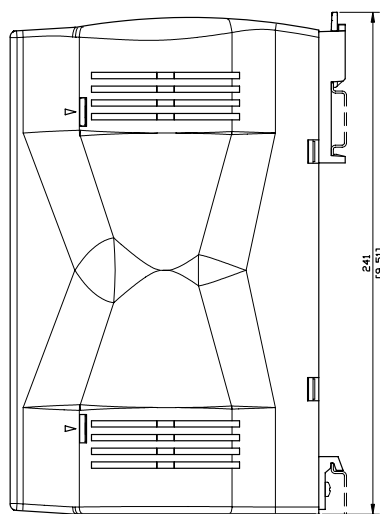


Figure 2. Vue latérale de l'IBT

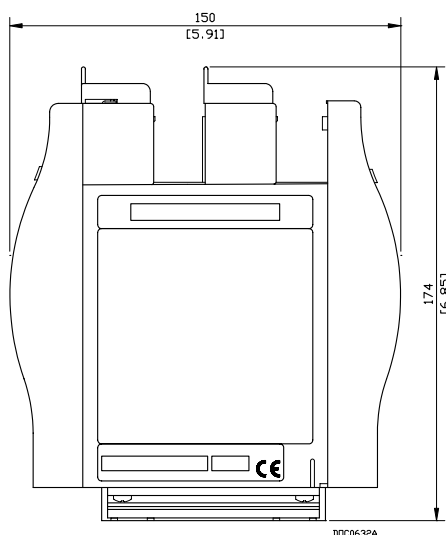


Figure 3. Vue du dessous de l'IBT

3. Le boîtier de l'IBT doit être monté sur deux rails DIN de 35 x 7,5 mm. Consultez la Figure 4.

- Montez les rails DIN supérieurs sur l'IBT.
- Montez les rails DIN inférieurs sur le fond de panier.
- Placez l'IBT sur les rails inférieurs montés sur le fond de panier en vous assurant que le bord inférieur de l'IBT s'encastre dans le panneau.
- Faites tourner le haut de l'IBT jusqu'à l'encastrement dans le panneau.
- Fixez la bande supérieure du rail DIN au panneau.

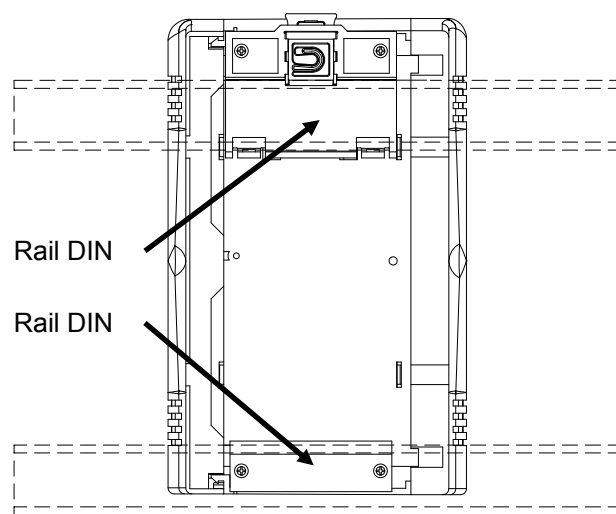


Figure 4. Dos de l'IBT

CÂBLAGE DES COMPOSANTS DE L'IBT

Le câblage de l'IBT implique de brancher les périphériques du bus de terrain aux modules H1, de câbler les modules H1 à l'alimentation externe (le cas échéant), et de câbler le module d'unité centrale de l'IBT au ROC ou à l'alimentation externe. Dans le présent document, nous recommandons de brancher en premier lieu les périphériques du bus de terrain aux modules H1, puis de relier l'IBT au ROC (ou l'alimentation externe) avant de mettre l'IBT sous tension.

Remarque : les modules disposent de blocs de jonction amovibles pour simplifier le câblage et le dépannage. Nous recommandons d'utiliser un fil à paire torsadée pour le signal E/S. Les blocs de jonction amovibles sont compatibles avec les fils 12-22 AWG.

Câblage des modules de segment H1

Pour câbler le module H1 PWR ou H1 (non alimenté) :

1. Dénudez l'extrémité du fil (6,4 mm maximum).
2. Insérez l'extrémité dénudée dans l'orifice, sous la vis de borne.
3. Serrez la vis. Consultez la figure 5 ou la figure 6.

Évitez au maximum d'exposer la partie dénudée du fil pour limiter le risque de court-circuit, mais laissez tout de même un peu de jeu pour éviter toute tension du fil.

L'IBT accepte jusqu'à quatre modules de segment H1 des deux types. Les modules alimentés (figure 5) fournissent jusqu'à 125 mA de courant conditionné.

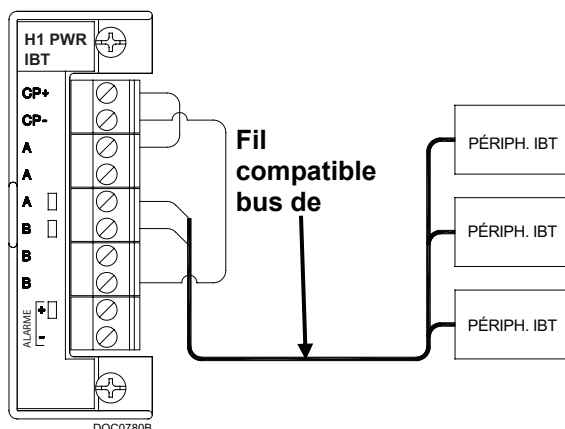


Figure 5. Câblage sur site du module H1 alimenté

Le tableau 1 identifie chaque borne et décrit leur utilité dans le module H1 alimenté.

Tableau 1. Bornes du module H1 alimenté

Terminal	Étiquette	Définition
1	CP+	Puissance conditionnée positive
2	CP-	Puissance conditionnée positive
3	A	Bus de terrain A
4	A	Bus de terrain A
5	A	Bus de terrain A
6	B	Bus de terrain B
7	B	Bus de terrain B
8	B	Bus de terrain B
9	Alarm+	Surintensité collecteur ouvert
10	Alarm -	Masse

Si vous n'êtes pas certain de l'alimentation nécessaire ou du nombre de périphériques de bus de terrain, utilisez des modules H1 non alimentés et une alimentation conditionnée externe convenant aux bus de terrain (voir figure 6).

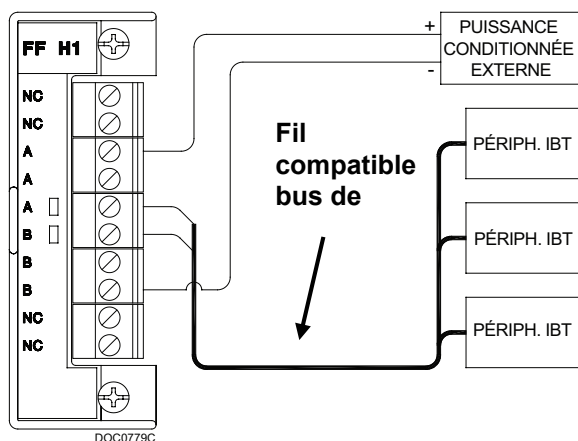


Figure 6. Câblage sur site du module H1 non alimenté

Le tableau 2 identifie chaque borne et décrit leur utilité dans le module H1 non alimenté.

Tableau 2. Bornes du module H1 non alimenté

Terminal	Étiquette	Définition
1	NC	Pas de connexion
2	NC	Pas de connexion
3	A	Bus de terrain A
4	A	Bus de terrain A
5	A	Bus de terrain A
6	B	Bus de terrain B
7	B	Bus de terrain B
8	B	Bus de terrain B
9	NC	Pas de connexion
10	NC	Pas de connexion

Remarque : l'IBT accepte jusqu'à quatre modules H1, sachant que vous pouvez relier jusqu'à 16 périphériques de bus de terrain à chaque module. En revanche, le nombre réel de périphériques acceptés dépend de la consommation de chacun et du type de câblage utilisé.

Désactivation du conditionneur d'alimentation sur un module H1

Si vous déterminez que la puissance du module H1 PWR est insuffisante pour votre périphérique, vous pouvez désactiver son conditionneur d'alimentation et utiliser une alimentation conditionnée externe.

Remarque : cette option est **uniquement** disponible pour un module H1 PWR. Vous **devez** désactiver le conditionneur d'alimentation du module H1 PWR avant de relier le module à l'alimentation externe au risque d'endommager irrémédiablement le conditionneur d'alimentation du module.

Pour désactiver le conditionneur d'alimentation :

1. Retirez le cache du chemin de fil.
2. Débranchez tout fil relié aux blocs de jonction.
3. Dévissez les deux vis imperdables maintenant le module en place.
4. Saisissez fermement la languette en plastique sur le rebord du module et sortez doucement le module de son logement. Vous devrez peut-être remuer doucement le module.
5. Placez le module comme indiqué en figure 7.

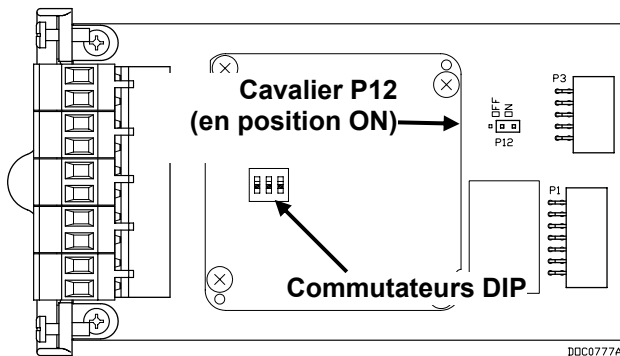


Figure 7. Cavalier P12 sur le module H1 PWR

- Déplacez le cavalier P12 de la seconde et troisième broches (ON) à la première et seconde broches (OFF).

Remarque : ne modifiez et ne réglez pas les paramètres du commutateur DIP sur le module H1. Les commutateurs sont paramétrés sur OFF en usine.

- Alignez le module dans son logement dans l'IBT, puis faites-le glisser jusqu'à ce que les connecteurs du module soient correctement en contact avec le fond de panier.
- Serrez les vis imperdables à l'avant du module.
- Câblez le module.
- Replacez le cache du chemin de fil.

Câblage du module d'unité centrale de l'IBT

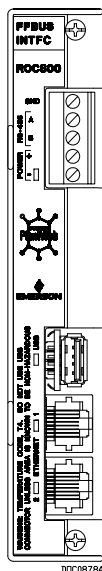


Figure 8. Bornes de connexion de l'unité centrale

Le tableau 3 identifie chaque borne et décrit leur utilité dans le module d'unité centrale.

Tableau 3. Bornes du module d'unité centrale

Terminal	Étiquette	Définition
TB1 – 1	GND	Masse
TB1 – 2	A	Non utilisé
TB1 – 3	B	Non utilisé
TB1 – 4	+	Entrée d'alim. positive
TB1 – 5	-	Entrée d'alim. négative
6	USB	Non utilisé
7	1	Port Ethernet
8	2	Port Ethernet

Pour connecter les bornes du bloc de jonction amovible au module d'unité centrale :

- Dénudez l'extrémité du fil (6,4 mm maximum).
- Insérez l'extrémité dénudée dans l'orifice, sous la vis de borne dévissée.
- Serrez la vis.

Vous pouvez câbler l'IBT comme partie intégrante d'un ROC827 ou comme dispositif autonome.

Remarque : le câblage de l'IBT au ROC800 (« câblage intégral ») est préférable puisque lorsque l'unité centrale ROC800 sera mise hors tension, l'IBT le sera également.

Câblage de l'IBT en tant que partie intégrante d'un ROC827

Insérez l'IBT dans un boîtier ROC827 (comme illustré en figure 9).

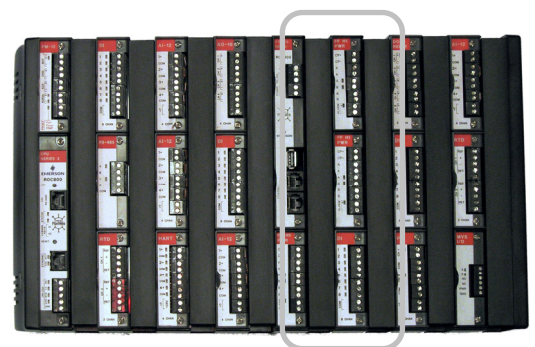


Figure 9. IBT inséré dans un ROC827

Remarque : un ROC827 peut recevoir au maximum quatre fonds de panier. Si votre ROC827 contient déjà quatre fonds de panier, vous devez en retirer un pour installer l'IBT.

La figure 10 reprend le schéma de l'IBT alimenté à partir d'un ROC800. Le ROC800 et le réseau, pour leurs communications, utiliseraient les connexions Ethernet de l'IBT.

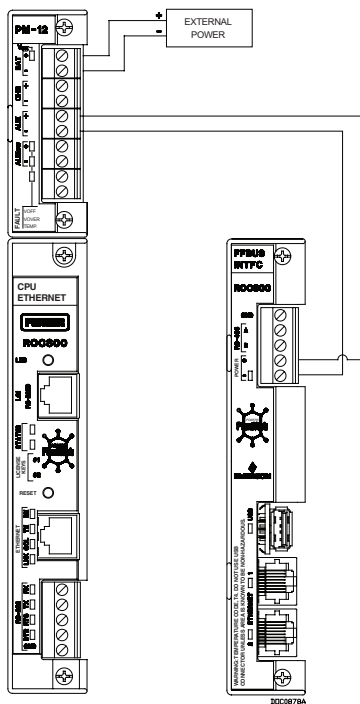


Figure 10. Câblage intégral de l'IBT

Câblage de l'IBT en tant que dispositif autonome

Si vous choisissez d'utiliser l'IBT comme unité autonome (indépendamment d'un ROC800), vous devez la relier à sa propre alimentation. Consultez la figure 11.

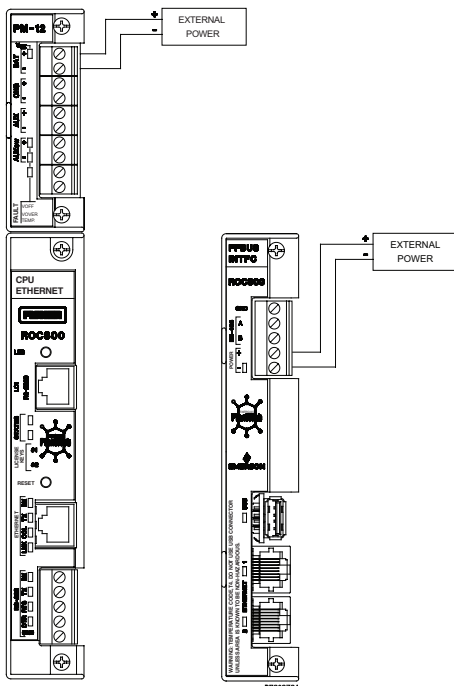


Figure 11. Câblage de l'IBT installée en autonome

MISE À LA TERRE DE L'IBT

Si votre société n'applique aucune procédure de mise à la terre particulière, installez l'IBT comme système « flottant », c'est-à-dire non relié à la terre. Autrement, suivez la procédure de votre entreprise. Toutefois, si vous reliez un dispositif mis à la terre au port EIA-485 (RS-485) de l'IBT, **mettez à la terre** l'alimentation de l'IBT.

Si vous devez mettre l'équipement à la terre, suivez ces consignes :

- Si l'équipement utilise une source de tension c.c., le circuit de mise à la terre doit pouvoir être coupé par le disjoncteur de dépannage. Tous les conducteurs de mise à la terre de l'équipement, y compris le fil ou le conduit portant les conducteurs d'alimentation, doivent fournir un chemin électrique ininterrompu jusqu'au disjoncteur de dépannage.
- Une mauvaise mise à la terre ou une mise à la terre maladroite entraîne généralement des problèmes dans le circuit, notamment des boucles de masse. Une bonne mise à la terre de l'IBT permettra de réduire les effets du bruit électrique en fonctionnement et préviendra tout dommage en cas d'orage. Installez un dispositif contre les surtensions au disjoncteur de dépannage, sur les circuits de source de tension c.c., pour protéger tout l'équipement contre les surtensions et en cas d'orage. Songez également à installer une protection contre les surtensions pour téléphones sur le module de communication par modem.

Branchez les fils d'alimentation. Déterminez l'alimentation nécessaire en vous aidant du *chapitre trois* du *Manuel d'instructions de l'interface de bus de terrain Foundation (modèle A6259)*.

Contrôle de la polarité des branchements

1. Pour connecter une alimentation c.c. :

- Au besoin, procédez tout d'abord à une sauvegarde de la configuration et de vos données.
- Vous pouvez également installer, si vous le souhaitez, un dispositif contre les surtensions au disjoncteur de dépannage.
- Isolez le ROC800 de toutes les autres sources d'alimentation.
- Installez un fusible à la source d'alimentation.
- Retirez le connecteur du bloc de jonction de la prise.
- Insérez l'extrémité dénudée de chaque fil dans l'orifice sous la vis de borne BAT+ / BAT- correspondante (source 12 volts c.c.) **OU** dans l'orifice sous la vis de borne + - correspondante (source 24 volts c.c.).

Remarque: la borne + doit également être équipée d'un fusible.

- Vissez chaque fil au bloc de jonction. Rebranchez le connecteur du bloc de jonction à la prise.
 - Rebranchez toutes les autres sources d'alimentation (le cas échéant) à l'IBT.
2. Reliez les fils des blocs de jonction aux modules d'interface H1. Consultez les schémas électriques et descriptions du *chapitre 4* du *Manuel d'instructions de l'interface de bus de terrain Foundation* (modèle A6259).
 3. Une fois le câblage des blocs de jonction terminé, remettez les caches de chemins de fil en place. Consultez la *figure 13*.
 4. Mettez l'IBT sous tension pour l'allumer. Le témoin de marche de l'IBT (voir *figure 13*) devrait s'allumer (vert) pour indiquer que la tension est correcte.
 5. Si le démarrage réussit, configurez l'IBT conformément aux besoins de l'application. Reportez-vous au *Manuel d'utilisation pour la configuration d'interface de terrain* (modèle A6250). En fonctionnement standard, aucun autre réglage ne devrait être nécessaire.
 6. En ce qui concerne la maintenance de l'IBT, vérifiez régulièrement les fils pour détecter toute détérioration éventuelle.

Remplacement d'un fusible

Si le serveur ne fonctionne pas, que le témoin d'alimentation ne s'allume pas mais que vous pensez qu'il est sous tension, tentez de remplacer le fusible de 6,3 A du module d'unité centrale (voir *figure 12*).

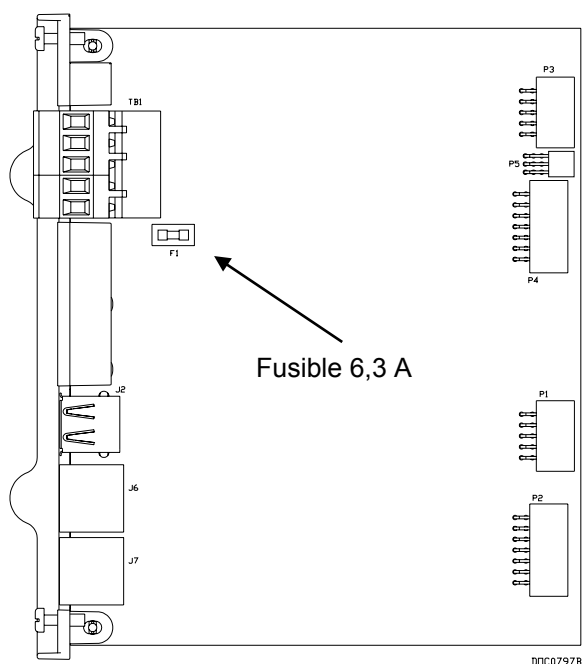


Figure 12. Fusible 6,3 A de l'unité centrale

1. Mettez le module d'unité centrale de l'interface hors tension.
2. Retirez le cache du chemin de fil.
3. Débranchez tous les fils du module d'unité centrale.
4. Dévissez les deux petites vis de retenue à l'avant du module d'unité centrale.
5. Saisissez les languettes sur le bord de la plaque avant du module d'unité centrale et sortez doucement le module d'unité centrale de la prise du fond de panier. Vous devriez sentir le module se détacher du fond de panier.
6. Sortez doucement le module d'unité centrale du boîtier de l'interface. Ne raclez pas les côtés de l'unité centrale contre le boîtier. Veillez à ne tirer sur aucun fil fixé à l'interface.
7. Examinez le fusible (voir *figure 12*) et, au besoin, remplacez-le par un fusible MSB 6,3 A à action retardée.
8. Placez le module d'unité centrale dans son chemin, sur le boîtier.
9. Faites glisser le module d'unité centrale jusqu'à ses connecteurs sur le fond de panier.
10. Serrez les deux petites vis de retenue à l'avant du module d'unité centrale.
11. Rebranchez tous les fils.
12. Remettez le cache du chemin de fil.
13. Remettez le module d'unité centrale sous tension.

DÉMONTAGE DE L'IBT

1. Sauvegardez la configuration de l'IBT et toutes vos données. Mettez l'IBT sous tension, puis retirez tous les fils provenant des modules H1.
2. Retirez le boîtier de l'IBT de ses rails DIN en libérant les deux fermoirs de rail en haut à l'arrière du boîtier.
3. Placez l'IBT dans un carton pour expédition ou stockage.

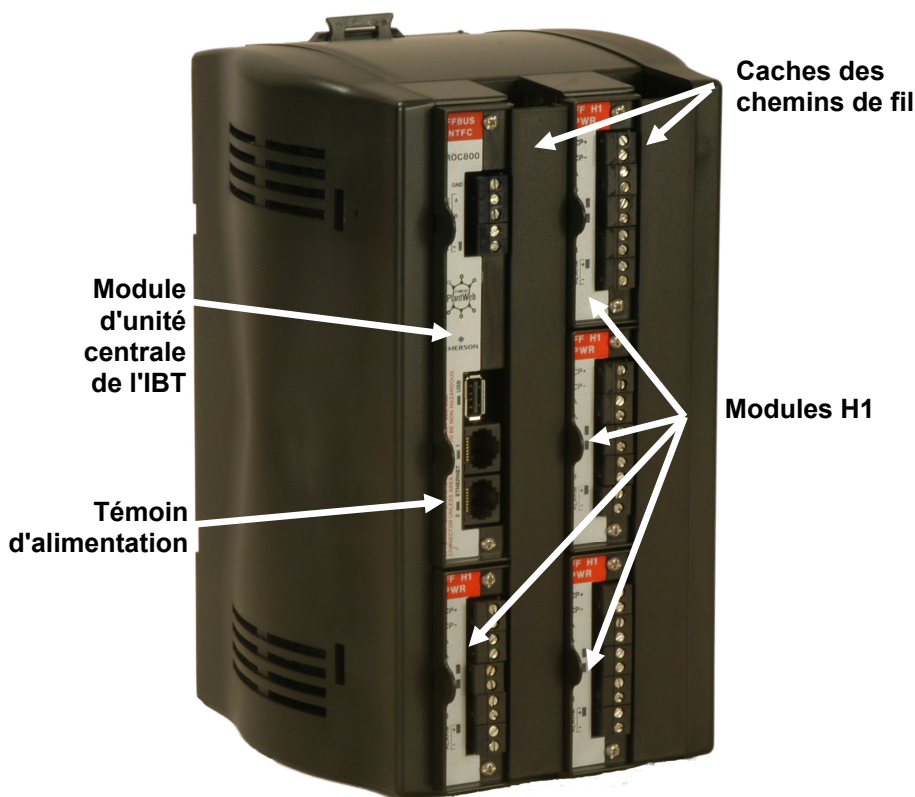


Figure 13. INTERFACE Foundation Fieldbus

Bristol, Inc., Bristol Babcock Ltd, Bristol Canada, BBI SA de CV et Flow Computer Division sont des filiales à 100 % de Emerson Electric Co. faisant commerce sous le nom Remote Automation Solutions (« RAS »), une division de Emerson Process Management. FloBoss, ROCLINK, Bristol, Bristol Babcock, ControlWave, TeleFlow et Helicoid sont des marques déposées de RAS. AMS, PlantWeb et le logo PlantWeb sont des marques commerciales de Emerson Electric Co. Le logo Emerson est une marque déposée et une marque de service Emerson Electric Co. Toutes les autres marques sont la propriété de leurs propriétaires respectifs.

Le contenu de cette publication est uniquement destiné à des fins d'information. Bien que tout ait été mis en œuvre afin d'assurer son exactitude, il ne doit pas être considéré comme une garantie, expresse ou implicite, concernant les produits ou services décrits dans cette publication, leur utilisation ou leur condition d'application. RAS se réserve le droit de modifier ou d'améliorer les équipements ou les spécifications de ses produits à tout moment et sans préavis. Toutes les ventes sont gérées selon les conditions générales de RAS, disponibles sur demande. RAS décline toute responsabilité quant au choix, à l'utilisation et à la maintenance d'un quelconque produit. La responsabilité quant au choix, à l'utilisation et à la maintenance d'un quelconque produit de RAS reviennent entièrement à l'acheteur et à l'utilisateur final.

Emerson Process Management

Remote Automation Solutions

Marshalltown, IA 50158 États-Unis

Houston, TX 77065 États-Unis

Pickering, North Yorkshire Royaume-Uni Y018 7JA

© 2011 Remote Automation Solutions, division de Emerson Process Management. Tous droits réservés.



Foundation™ Fieldbus Interface (série ROC800)



DCC0888B

Figura 1. Etiqueta do FOUNDATION Fieldbus Interface

Use este documento de instruções para uso seguro (SUI) com o *Manual de Instruções do FOUNDATION FIELDBUS INTERFACE* (Formulário A6259). Para informações completas sobre os cuidados a serem tomados, descrições de instalação e procedimentos para resolução de problemas, consulte o manual. Se precisar de treinamento para este manual, entre em contato com o seu escritório local de vendas.

O Foundation Fieldbus Interface (ou "FFI") com aprovação da ATEX pode ser encomendado com os módulos do Segmento H1 descritos na especificação técnica *FOUNDATION Fieldbus Interface (série ROC800)* (ROC800:FFI).

Condições especiais para uso seguro do FFI

- Instale o equipamento em um gabinete IP54 ou melhor, ou em local equivalente. Qualquer gabinete deve ser adequadamente certificado ou de outra forma aprovado para a região de utilização (Zona 2).
- O usuário deverá se assegurar de que a tensão nominal de entrada não seja ultrapassada em serviço.

Declaração de conformidade

Por meio do presente instrumento, a Remote Automation Solutions declara que os produtos do Foundation Fieldbus Interface estão em conformidade com as exigências essenciais e outras disposições relevantes das Diretivas Europeias 2004/108/EC (EMC) e 1994/9/EC (ATEX).



CUIDADO

Ao instalar unidades em áreas perigosas, certifique-se de que todos os componentes da instalação selecionados possuam etiquetas que indiquem permissão de uso nestas áreas. A instalação e a manutenção devem ser realizadas apenas quando se souber que a área não apresenta perigo. A instalação ou a manutenção em áreas perigosas pode resultar em lesões pessoais ou danos materiais.

Sempre desligue o Foundation Fieldbus Interface da energia antes de tentar usar qualquer tipo de fiação. A conexão de equipamentos energizados poderá resultar em lesões pessoais ou danos materiais.

Para evitar danos ao circuito ao trabalhar dentro da unidade, use as devidas precauções contra descargas eletrostáticas, como o uso de pulseiras antiestáticas para aterramento.



CUIDADO

Verifique a polaridade da energia de entrada antes de conectar a energia ao Foundation Fieldbus Interface.

As seguintes ferramentas são necessárias para a instalação, manutenção e resolução de problemas:


Computador pessoal com Microsoft® Windows® 2000 (com Service Pack 2), Windows XP ou Windows Vista.

Software de configuração ROCLINK™ 800.

Chave de fenda Phillips.

Chave de fenda comum.

Especificações da CPU
<p>POTÊNCIA (CPU) 3,56 W a 24 V cc (fornecimento de energia 10 a 30 V cc).</p> <p>MATERIAIS Gabinete: plástico ABS (Acrilonitrilo Butadieno Estireno). Tampas do canal de fio: plástico de polipropileno. Módulos: poliéster termoplástico, resistente a solvente.</p> <p>MEIO AMBIENTE Temperatura operacional: -40 ° a +75 °C. Temperatura de armazenamento: -40 ° a +85 °C. Umidade relativa: IEC68-2-3; 5-95%, sem condensação. Vibração: IEC68-2-6; 0,15 mm ou 20 m/seg² Choque mecânico: IEC68-2-27; 11 milissegundos, 50 Gs sinusoidal, não operacional, 15 Gs operacional Choque térmico: IEC68-2-14; de ar para ar, de -20 ° a 85 °C</p> <p>PESO Gabinete, circuito principal e CPU: 1,65 kg</p>
Especificações do módulo H1
<p>POTÊNCIA (CPU) 1,18 W (do condicionador de energia interna ou fonte de alimentação externa)</p> <p>PROTEÇÃO DE SOBRETENSÃO ± 36 V cc, conexão de barramento de campo + 28 V cc, conexão do alarme</p> <p>SAÍDA DA ENERGIA CONDICIONADA 18 a 24 V cc; 125 mA, no máximo; indicação de falha na sobretensão 150 mA</p> <p>TERMINAL Módulo H1 com opção de energia condicionada: 100 Ω 1%, 1 uF, 50 V.</p> <p>IMPEDÂNCIA DO MÓDULO DE SEGMENTO Em conformidade com os padrões FF</p> <p>PESO 100 g</p>

Especificações comuns
<p>APROVAÇÕES Avaliado de acordo com os seguintes Padrões Europeus (EMC): EN55011 (Emissões). EN61000-4-2 (Imunidade de Descarga Eletrostática). EN61000-4-3 (Imunidade de Campo Eletromagnético). EN61000-4-4 (Imunidade de Transientes Rápidos Elétricos). EN61000-4-6 (Imunidade Conduzida). Observação: Atende ao critério B de desempenho para imunidade</p> <p>Avaliado de acordo com os seguintes Padrões Europeus (ATEX): EN50014 (1997) +A1 +A2. EN60079-15 (2003). Certificado pela Sira como Modelo W40203.</p> <p>Marcações do produto para locais perigosos: EEx nA IIC T4 - 40 °C ≤ T_{amb} a ≤ +75 °C</p> <p> II 3 G. CE Nº. Cert. Sira 05ATEX4046X</p>
<p>MONTAGEM DO FFI</p> <p>Você pode montar o FFI como unidade autônoma ou como parte integral de um ROC827. O ROC827 é compatível com no máximo quatro circuitos principais. Se o ROC827 já contiver quatro circuitos principais, você deverá remover um circuito e substituí-lo pelo FFI.</p> <ol style="list-style-type: none"> 1. O FFI vem em uma caixa. Retire-o da caixa. Os módulos CPU e H1 são instalados na fábrica. 2. Encontre um local adequado para o FFI. Sempre instale o FFI em um gabinete fornecido pelo usuário, já que o FFI necessita de proteção contra exposição direta à chuva, neve, gelo, sujeira vinda com o vento ou detritos, e a atmosferas corrosivas. Se o FFI for instalado do lado de fora, coloque-o em um gabinete classificado como IP54 (ou melhor). <p>Observação: Vede qualquer orifício feito no gabinete para esta finalidade, a fim de garantir a manutenção da classificação IP54 exigida.</p> <p>Ao escolher um gabinete, verifique todo o espaço ao redor. Dê espaço suficiente para a fiação e manutenção. Consulte a <i>Figura 2</i> e a <i>Figura 3</i>.</p>

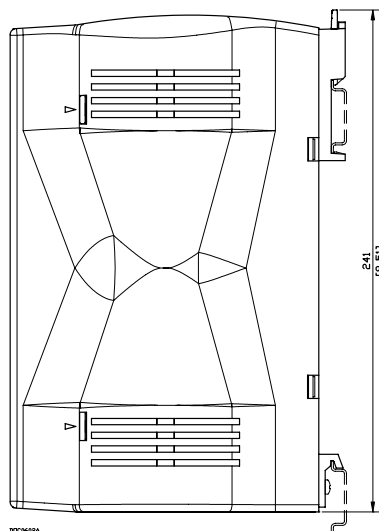


Figura 2. Vista lateral do FFI

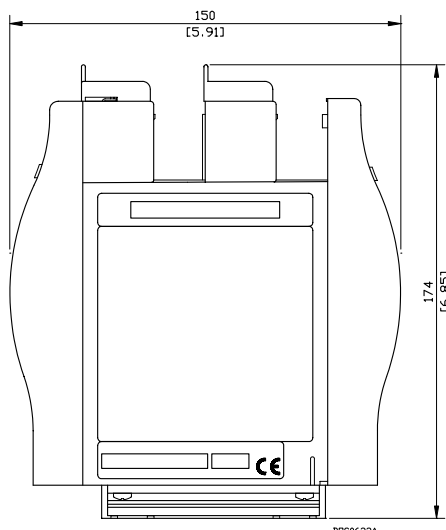


Figura 3. Vista inferior do FFI

3. O gabinete do FFI é fixado em dois trilhos DIN de 35 x 7,5 mm. Consulte a *Figura 4*.

- Fixe os trilhos DIN superiores no FFI.
- Fixe os trilhos DIN inferiores no circuito principal.
- Posicione o FFI no trilho inferior fixado ao circuito principal, verificando se a borda inferior do FFI está alinhada com o painel.
- Gire a parte superior do FFI até que fique alinhada com o painel.
- Prenda a tira superior do trilho DIN no painel.

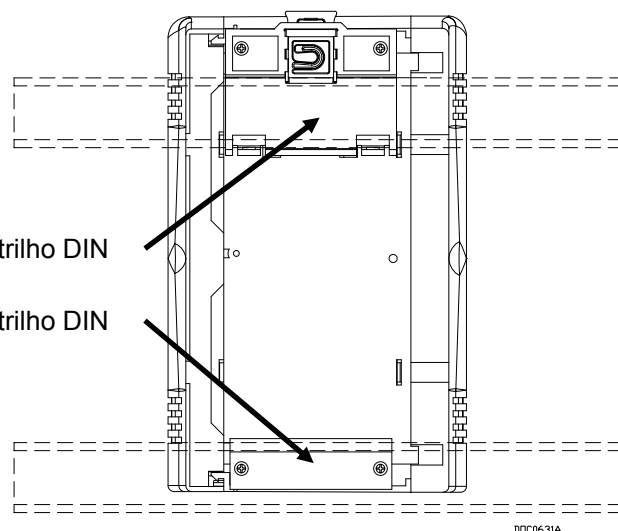


Figura 4. Parte traseira do FFI

CONEXÃO DOS COMPONENTES DO FFI

A conexão do FFI envolve ligar os dispositivos do barramento de campo nos módulos H1, conectando esses módulos na energia externa (se apropriado) e conectando o módulo CPU do FFI no ROC ou na energia externa. Para esse documento, sugerimos que você primeiro ligue os dispositivos de barramento de campo nos módulos H1 e depois ligue o FFI no ROC (ou na energia externa) antes de aplicar energia.

Observação: Os módulos têm blocos de terminal removíveis para garantir a conexão e manutenção convenientes. Recomenda-se cabo de par trançado para conexão do sinal de E/S. Os blocos de terminal removíveis aceitam fio 12-22 AWG.

Conexão dos módulos do segmento H1

Para conectar o módulo H1 PWR ou H1 (não ligado):

1. Desencape a extremidade (6,4 mm no máximo) do fio.
2. Insira a extremidade desencapada na braçadeira, embaixo do parafuso dos terminais.
3. Aperte o parafuso. Consulte a *Figura 5* ou a *Figura 6*.

Exponha o mínimo da extremidade desencapada para impedir curtos-circuitos, mas deixe alguma folga ao fazer as conexões para evitar deformação.

O FFI suporta até quatro de dois tipos de módulos de segmento H1. Os módulos energizados (consulte a *Figura 5*) fornecem até 125 mA de energia condicionada.

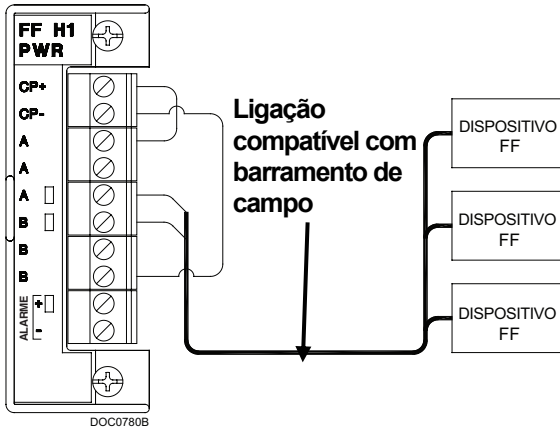


Figura 5. Ligação de campo para módulo H1 energizado

A Tabela 1 identifica cada terminal e seu objetivo no módulo H1 energizado.

Tabela 1. Terminais do módulo H1 energizado

Terminal	Etiqueta	Definição
1	CP+	Energia condicionada positiva
2	CP-	Energia condicionada negativa
3	A	Barramento de campo A
4	A	Barramento de campo A
5	A	Barramento de campo A
6	B	Barramento de campo B
7	B	Barramento de campo B
8	B	Barramento de campo B
9	Alarme+	Sobrecorrente coletor aberto
10	Alarme-	Aterramento

Use módulos H1 não energizados e uma fonte de alimentação condicionada aprovada para barramento de campo externo (consulte a Figura 6) quando não tiver certeza do uso de energia ou do número de dispositivos do barramento de campo.

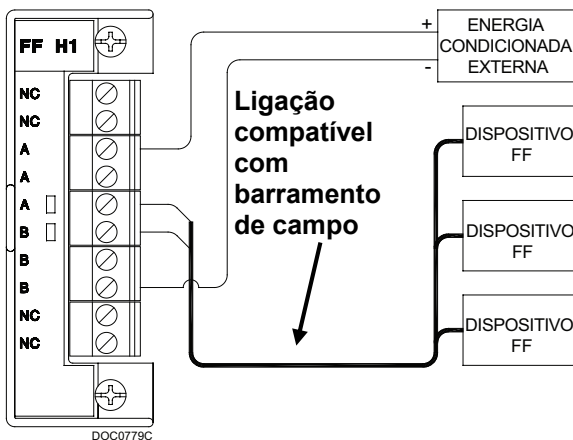


Figura 6. Ligação de campo para módulo H1 não energizado

A Tabela 2 identifica cada terminal e seu objetivo no módulo H1 não energizado.

Tabela 2. Terminais do módulo H1 não energizado

Terminal	Etiqueta	Definição
1	NC	Sem conexão
2	NC	Sem conexão
3	A	Barramento de campo A
4	A	Barramento de campo A
5	A	Barramento de campo A
6	B	Barramento de campo B
7	B	Barramento de campo B
8	B	Barramento de campo B
9	NC	Sem conexão
10	NC	Sem conexão

Observação: O FFI suporta até quatro módulos H1 e você poderá conectar até 16 dispositivos de barramento de campo em cada módulo. No entanto, o número real de dispositivos suportados depende do consumo de energia de cada dispositivo e do tipo de cabo de conexão em uso.

Desativação do condicionador de energia em um módulo H1 PWR

Se você determinar que a quantidade de energia que o módulo H1 PWR fornece é insuficiente para o seu dispositivo, é possível desativar o condicionador de energia no módulo H1 e usar a energia condicionada externa.

Observação: Esta opção está disponível apenas para um módulo H1 PWR. Você deve desativar o condicionador de energia no módulo H1 PWR antes de ligar o módulo na alimentação externa. Caso contrário, poderá danificar de forma irreversível o condicionador de energia do módulo.

Para desativar o condicionador de energia:

1. Retire a tampa do canal de fios.
2. Desconecte todas as fiações dos blocos de terminal.
3. Desaparafuse os dois parafusos cativos que prendem o módulo no lugar.
4. Segure firmemente o bordo de plástico na extremidade do módulo e puxe o módulo com cuidado, retirando-o da fenda. Talvez você precise balançar levemente o módulo.
5. Posicione o módulo conforme mostrado na Figura 7.

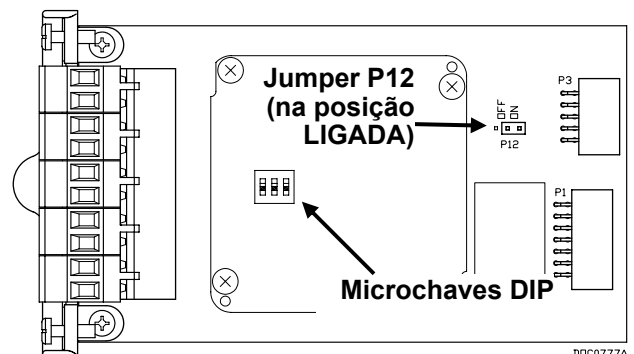


Figura 7. Jumper P12 no módulo H1 PWR

- Mova o jumper no P12 do segundo e do terceiro pinos (LIGADO) para o primeiro e o segundo pinos (DESLIGADO).

Observação: Não ajuste nem altere as definições da microchave DIP no módulo H1. As microchaves vêm configuradas de fábrica na posição DESLIGADA.

- Alinhe o módulo na sua primeira fenda no FFI e deslize-o para dentro do gabinete até que os conectores do módulo entrem em contato seguro com os conectores no circuito principal.
- Aperte os parafusos cativos na parte dianteira do módulo.
- Conecte o módulo.
- Recoloque a tampa do canal de fios.

Conexão do módulo CPU do FFI

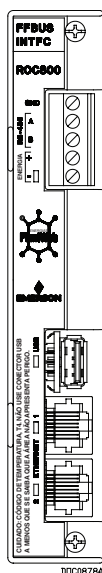


Figura 8. Terminais de conexão do módulo CPU

A Tabela 3 identifica cada terminal e seu objetivo no módulo CPU.

Tabela 3. Terminais do módulo CPU

Terminal	Etiqueta	Definição
TB1 – 1	GND	Aterramento
TB1 – 2	A	Não usado atualmente
TB1 – 3	B	Não usado atualmente
TB1 – 4	+	Entrada de energia positiva
TB1 – 5	-	Entrada de energia negativa
6	USB	Não usado atualmente
7	1	Porta Ethernet
8	2	Porta Ethernet

Para conectar os fios nos terminais de compressão do bloco removível no módulo CPU:

- Desencape a extremidade (6,4 mm no máximo) do fio.
- Insira a extremidade desenhada na braçadeira, embaixo do parafuso frouxo dos terminais.
- Aperte o parafuso.

Você poderá conectar o FFI como parte integral de um ROC827 ou como dispositivo autônomo.

Observação: A conexão do FFI no ROC800 ("fiação integral") é o método preferido, uma vez que garante que a interrupção da energia do CPU ROC800 também elimina a energia do FFI.

Conexão do FFI como parte integral de um ROC827

Insira o FFI no gabinete ROC827 (conforme mostrado na Figura 9).

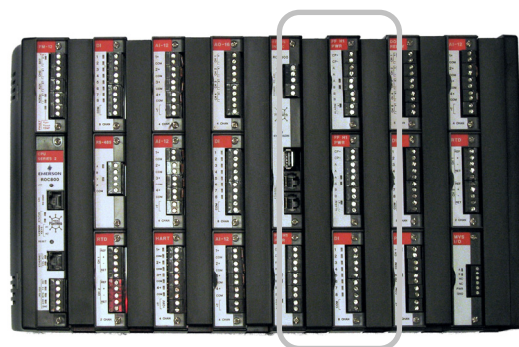


Figura 9. FFI inserido no ROC827

Observação: O ROC827 é compatível com no máximo **quatro** circuitos principais. Se o ROC827 já contiver quatro circuitos principais, você deverá remover um circuito e substituí-lo pelo FFI.

A Figura 10 mostra um FFI usando energia de um ROC800. As comunicações com o ROC800 e a rede usariam as conexões Ethernet no FFI.

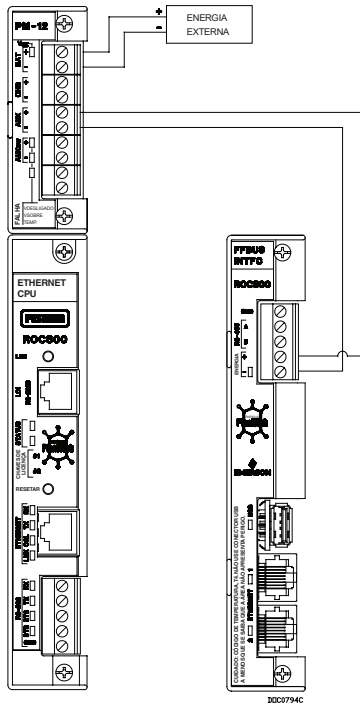


Figura 10. Fiação integral do FFI

Conexão do FFI como dispositivo autônomo

Se você preferir configurar o FFI como unidade autônoma separada de um ROC800, deverá conectar o FFI em sua própria fonte de alimentação. Consulte a Figura 11.

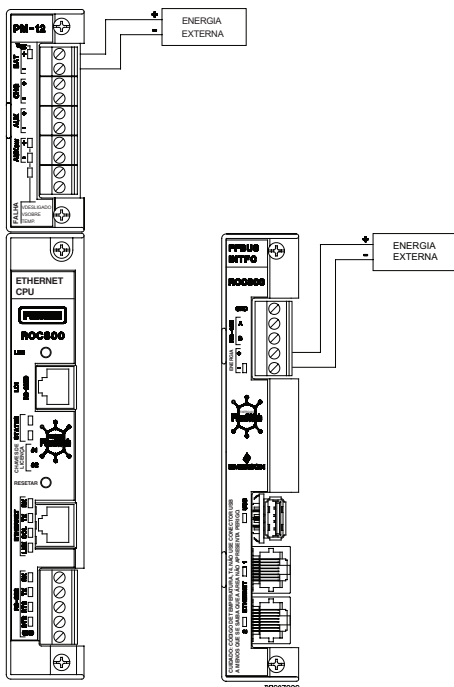


Figura 11. Conexão independente do FFI

ATERRAMENTO DO FFI

Se sua empresa não tiver exigências específicas de aterramento, instale o FFI como sistema de “flutuação” (desconectado do terra). Do contrário, siga as práticas de

aterramento específicas da sua empresa. No entanto, se estiver fazendo uma conexão entre um dispositivo aterrado e uma porta FFI EIA-485 (RS-485), **aterra** a fonte de alimentação do FFI.

Se for necessário aterrar o equipamento, observe as seguintes diretrizes:

- Quando o equipamento usar uma fonte de tensão DC, o sistema de aterramento deve terminar na desconexão do serviço. Todos os condutores de aterramento do equipamento - incluindo fios ou condutas que transportam os condutores de fonte de energia - devem fornecer um caminho elétrico ininterrupto até a desconexão do serviço.
- O aterramento inadequado ou práticas deficientes de aterramento podem, em geral, causar problemas, como inserir loops de terra no sistema. O aterramento adequado do FFI ajuda a reduzir os efeitos de ruído elétrico na operação da unidade e protege contra raios. Instale um dispositivo de proteção contra sobretensão na desconexão do serviço nos sistemas de fonte de tensão DC para proteger o equipamento instalado contra raios e oscilações de corrente. Considere também o uso de um protetor de sobretensão em telefones para o módulo de comunicação com modem discado.

Conecte a fiação de energia. Determine os requisitos de energia, conforme descrito no *Capítulo 3 do Manual de Instruções do Foundation Fieldbus Interface* (Formulário A6259).

Verificação da polaridade da conexão

1. Para fazer as conexões da fonte de energia DC:
 - Se apropriado, realize o procedimento dos dados de registro de log e de configuração de backup.
 - Como opção, instale um dispositivo de proteção de sobretensão na desconexão do serviço.
 - Remova todas as outras fontes de energia do ROC800.
 - Instale um fusível na fonte de energia de entrada.
 - Remova do soquete o conector do bloco do terminal.
 - Insira a extremidade desencapada de cada fio na braçadeira embaixo do parafuso de terminal BAT+/BAT- (por exemplo, a fonte de 12 volts cc) **OU** na braçadeira embaixo do parafuso de terminação + / - adequado (para a fonte de 24 volts cc).

Observação: O terminal + também deve ter um fusível.

- Aparafuse cada fio no bloco de terminal. Insira no soquete o conector do bloco de terminal.
- Substitua todas as outras fontes de energia (se necessário) no FFI.

2. Conecte os fios nos blocos de terminais nos módulos do Interface H1. Consulte o *Capítulo 4 do Manual de Instruções do Foundation Fieldbus Interface* (Formulário A6259) e veja os esquemas e as explicações sobre a fiação.
3. Pressione as tampas do canal de fios para que elas se encaixem nos canais de fiação, quando a fiação dos blocos de terminal estiver concluída. Consulte a *Figura 13*.
4. Ligue a energia para inicializar o FFI. O indicador LED de energia no FFI (consulte a *Figura 13*) deve acender em verde para indicar que a tensão aplicada está correta.
5. Quando a inicialização for bem-sucedida, configure o FFI de forma a atender as exigências da aplicação. Consulte o *Manual do Usuário do Field Interface Configurator* (Formulário A6250). Durante a operação e utilização normais, não será necessário nenhum ajuste neste dispositivo por parte do usuário.
6. Para fazer a manutenção do FFI, inspecione periodicamente a fiação para ver se há sinais de deterioração.

Substituição do fusível

Se o servidor não funcionar, mas você acredita que ele tem energia, e o LED DE ENERGIA não acender, talvez seja necessário substituir o fusível de 6,3 Amp no módulo CPU (consulte a *Figura 12*).

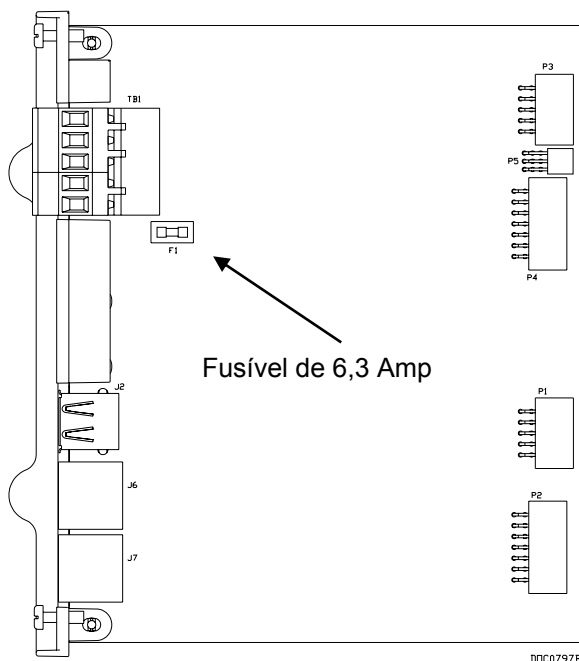


Figura 12. Fusível de 6,3 Amp do CPU

2. Retire a tampa do canal de fios.
3. Desconecte todos os cabos do módulo CPU do Interface.
4. Desaparafuse os dois pequenos parafusos de fixação na parte frontal do painel dianteiro do módulo CPU.
5. Segure as guias de elevação na borda do painel dianteiro do módulo CPU e levante cuidadosamente o módulo CPU de seus soquetes no circuito principal. Você deve sentir o módulo se desprender do circuito principal.
6. Remova cuidadosamente o módulo CPU do alojamento do Interface. Não arranhe nenhum dos dois lados do CPU no alojamento. Certifique-se de não puxar os cabos conectados no Interface.
7. Examine o fusível (consulte a *Figura 12*) e, se necessário, substitua por um fusível MSB de 6,3 A (Slo-Blo).
8. Coloque o módulo CPU em seu canal no gabinete.
9. Deslize o módulo CPU para baixo em seus conectores no circuito principal.
10. Aperte os dois pequenos parafusos de fixação na parte frontal do painel dianteiro do módulo CPU.
11. Reconecte toda a fiação.
12. Recoloque a tampa do canal de fios.
13. Restaure a energia no módulo CPU.

DESMONTAGEM DO FFI

1. Faça backup de todos os dados de configuração e de log do FFI. Depois, desligue toda a energia do FFI e remova todos os fios externos dos módulos H1.
2. Remova o gabinete do FFI dos trilhos DIN liberando as duas travas do trilho DIN na parte traseira superior do gabinete.
3. Coloque o FFI em uma caixa para transporte ou armazenamento.

1. Retire a alimentação do módulo CPU do Interface.

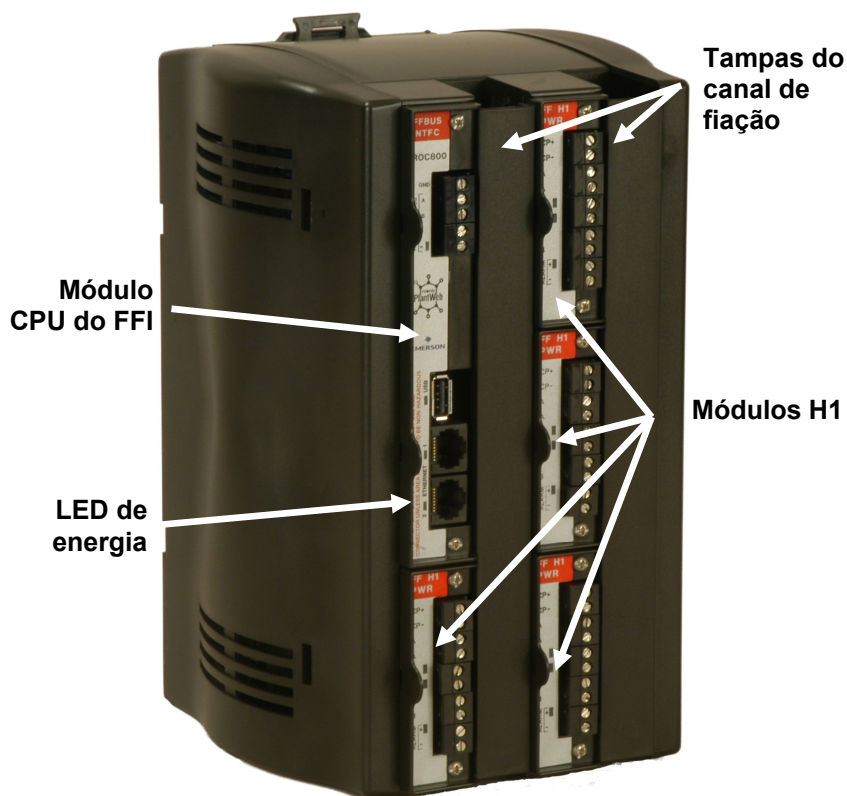


Figura 13. FOUNDATION Fieldbus Interface

Bristol, Inc., Bristol Babcock Ltd, Bristol Canada, BBI SA de CV e a Flow Computer Division são subsidiárias pertencentes integralmente à Emerson Electric Co., operando como Remote Automation Solutions ("RAS"), divisão da Emerson Process Management. FloBoss, ROCLINK, Bristol, Bristol Babcock, ControlWave, TeleFlow e Helicoid são marcas comerciais da RAS. AMS, PlantWeb e o logotipo da PlantWeb são marcas da Emerson Electric Co. O logotipo da Emerson é marca comercial e de serviço da Emerson Electric Co. Todas as outras marcas pertencem a seus respectivos proprietários.

O conteúdo desta publicação é apresentado apenas para fins de informação. Embora se tenha dado total empenho para garantir a precisão das informações, elas não devem ser consideradas garantias, expressas ou implícitas, em relação aos produtos ou serviços aqui descritos ou à sua utilização ou aplicabilidade. A RAS reserva-se o direito de modificar ou aperfeiçoar os projetos ou especificações de tais produtos a qualquer momento sem aviso prévio. Todas as vendas são controladas pelos termos e condições da RAS, que estão disponíveis mediante solicitação. A RAS não assume responsabilidade pela escolha, utilização ou manutenção de nenhum produto. A responsabilidade pela escolha, utilização e manutenção de qualquer produto RAS continua sendo exclusivamente do comprador e do usuário final.

Emerson Process Management

Remote Automation Solutions

Marshalltown, IA 50158 EUA
Houston, TX 77065 EUA
Pickering, North Yorkshire Reino Unido Y018 7JA

FOUNDATION™ Fieldbus Interface (серия ROC800)

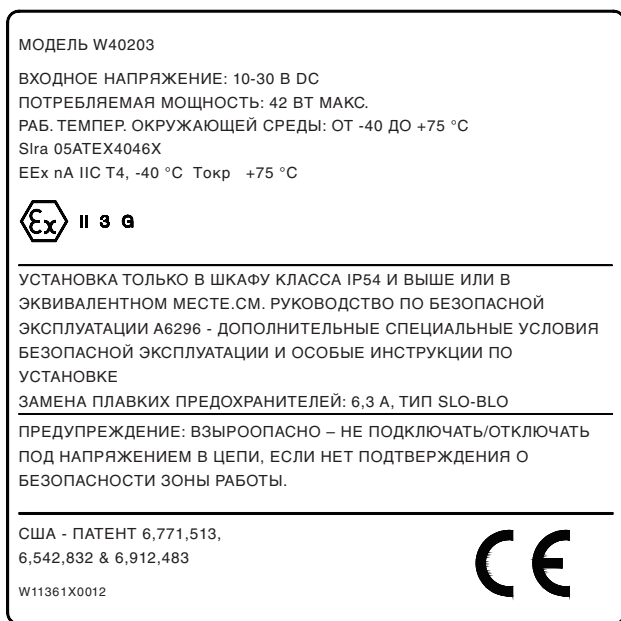


Рис. 1. Обозначение устройства FOUNDATION Fieldbus Interface

Используйте эти инструкции по безопасной эксплуатации (SUI) вместе с руководством по эксплуатации устройства шинного интерфейса FOUNDATION Fieldbus Interface (форма A6259). В данном руководстве приведены все предупреждения и дано описание процедур установки и устранения неисправностей. Если требуется обучение по данной продукции, свяжитесь с региональным офисом продаж.

Устройство FOUNDATION Fieldbus Interface (или "FFI") с сертификатом ATEX можно заказать вместе с сегментными модулями H1 Segment, описанными в технических характеристиках *Интерфейс FOUNDATION Fieldbus Interface, серия (ROC800)* (ROC800:FFI).

Особые условия для безопасной эксплуатации контроллера FFI

- Оборудование должно быть установлено в шкафу класса IP54 и выше или в эквивалентном месте. Любой шкаф должен обладать соответствующим сертификатом или быть иным образом одобрен для места эксплуатации (зона 2).
- Пользователь несет ответственность за то, чтобы в процессе эксплуатации входное напряжение не превышало номинальных значений.

Заявление о соответствии

Настоящим компания Remote Automation Solutions заявляет, что изделия FOUNDATION Fieldbus Interface удовлетворяют необходимым требованиям и другим соответствующим положениям Европейских директив 2004/108/ЕС (EMC) и 1994/9/ЕС (ATEX).



ВНИМАНИЕ

При установке оборудования в опасных зонах убедитесь, что все устанавливаемые компоненты имеют маркировку, указывающую на возможность эксплуатации в таких зонах. Установку и техническое обслуживание необходимо выполнять только в безопасных зонах. Выполнение монтажа или технического обслуживания в опасной зоне может привести к получению травм или повреждению оборудования.

Перед проведением любых монтажных работ всегда отключайте устройство FOUNDATION Fieldbus Interface от электропитания. Подключение электропроводки на находящемся под напряжением оборудовании может привести к получению травм или повреждению оборудования.

Во избежание повреждения цепей при проведении работ внутри блока примите соответствующие меры против возникновения электростатических разрядов, например, наденьте заземленный браслет.



ВНИМАНИЕ

Перед включением электропитания устройства FOUNDATION Fieldbus Interface проверьте входную полярность.

Для установки, технического обслуживания и устранения неисправностей требуются следующие средства:

Персональный компьютер с операционной системой Microsoft® Windows® 2000 (Service Pack 2), Windows XP или Windows Vista.

Конфигурационное программное обеспечение ROCLINK™ 800

Крестообразная отвертка;

Плоская отвертка.

Технические характеристики ЦПУ

ПОТРЕБЛЯЕМАЯ МОЩНОСТЬ (ЦПУ)

3,56 Вт при 24 В пост. тока (входное питание 10-30 В пост. тока).

МАТЕРИАЛЫ

Корпус: акрилонитрилбутадиенстирол (АБС).

Крышки кабель-каналов: полипропиленовый пластик.

Модули: термопластичный полиэфир, устойчивый к действию растворителей.

УСЛОВИЯ ЭКСПЛУАТАЦИИ

Рабочая температура: -40° - $+75^{\circ}$ С.

Температура хранения: -40° - $+85^{\circ}$ С.

Относительная влажность: IEC68-2-3; 5–95% неконденс.

Вибрация: IEC68-2-6; 0,15 мм или 20 м/с²

Устойчивость к механическим нагрузкам: IEC68-2-27; 11 миллисекунд, синусоид. 50Gs (нерабочая), 15 Gs (рабочая)

Устойчивость к температурным нагрузкам: IEC68-2-14; воздух-воздух от -20° до 85° С

МАССА

Корпус, объединительная плата и ЦПУ: 1,65 кг

Технические характеристики модуля Н1

ПОТРЕБЛЯЕМАЯ МОЩНОСТЬ (ЦПУ)

1,18 Вт (от внутреннего стабилизатора или от внешнего источника питания)

ЗАЩИТА ОТ ИЗБЫТОЧНОГО НАПРЯЖЕНИЯ

± 36 В пост. тока, эксплуатационные соединения
 $+ 28$ В пост. тока, подключения аварийных сигналов

ВЫХОД СТАБИЛИЗИРОВАННОГО ПИТАНИЯ

18-24 В пост тока; 125 мА макс.; индикация защиты от перегрузок по току 150 мА

ОКОНЕЧНОЕ СОГЛАСУЮЩЕЕ УСТРОЙСТВО

Модуль Н1 с опцией стабилизированного питания: 100 Ω 1%, 1 мкФ, 50 В.

ИМПЕДАНС МОДУЛЯ SEGMENT

Соответствие стандартам FF

МАССА

100 г

Общие технические характеристики

СЕРТИФИКАТЫ

Сертифицирован в соответствии со следующими европейскими стандартами (EMC):

EN55011 (выбросы).

EN61000-4-2 (устойчивость к электростатическим разрядам).

EN61000-4-3 (устойчивость к наведенному электромагнитному полю)

EN61000-4-4 (устойчивость к быстрым электрическим переходным процессам).

EN61000-4-6 (устойчивость к кондуктивным помехам)

Примечание: Соответствует показателю устойчивости Criterion B

Сертифицирован в соответствии со следующими европейскими стандартами (ATEX):

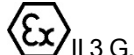
EN50014 (1997) +A1 +A2.

EN60079-15 (2003).

сертификат Sira в качестве модели W40203.

Маркировка изделий, предназначенных для работы в опасных зонах:

EEEx nA IIC T4 – 40° С $\leq T_{\text{окр. возд.}}$ до $\leq +75^{\circ}$ С)



II 3 G.

Серт. номер Sira 05ATEX4046X

Монтаж устройства FFI

Устройство FFI устанавливается либо как автономная единица, либо в составе устройства ROC827. Устройство ROC827 поддерживает до **четырёх** объединительных плат. Если устройство ROC827 уже оснащено четырьмя объединительными платами, замените одну из них на устройство FFI.

1. Контроллер FFI поставляется в коробке. Извлеките его из коробки. На завод-изготовителе устанавливаются модули ЦПУ и Н1.
2. Найдите подходящее место установки устройства FFI. Всегда устанавливайте устройство FFI в шкаф (поставляется пользователем), так как это устройство требует защиты от прямого контакта с дождевыми каплями, снегом, льдом, находящимся в воздухе частицам пыли и мусора и к коррозирующим атмосферным веществам. При установке устройства FFI вне помещений, устройство необходимо размещать в шкафу с классом защиты IP54 (или выше).

Примечание: Требуется герметично закрыть все отверстия, выполненные в шкафу, чтобы обеспечить его соответствие требуемому классу защиты IP54.

При выборе шкафа учтите, что необходимо обеспечить свободное пространство. Обеспечьте достаточный зазор для монтажа и обслуживания. См. *Рис. 2* и *Рис. 3*.

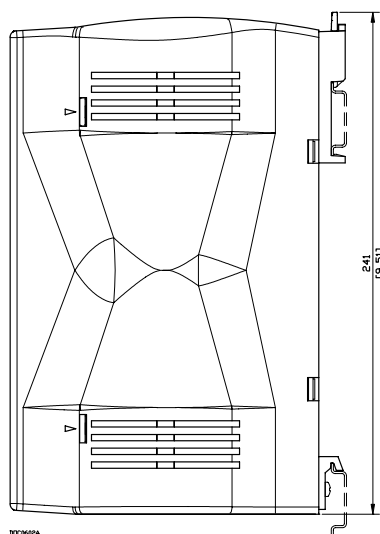


Рис. 2. Вид сбоку на FFI

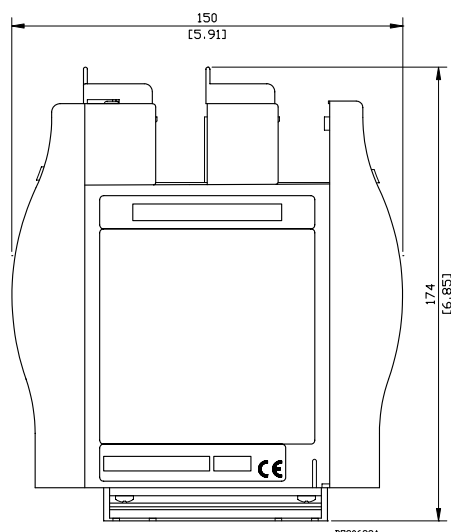


Рис. 3. Вид снизу на FFI

3. Корпус устройства FFI устанавливается на две направляющих 35 x 7,5 мм DIN. См. Рис. 4.

- Установите верхние направляющие DIN на устройство FFI.
- Установите нижние направляющие DIN на объединительную плату.
- Поместите устройство FFI на нижнюю направляющую, установленную на объединительную плату, убедившись, что нижняя кромка устройства FFI находится вровень с платой.
- Поместите верхнюю часть устройства FFI на позицию, так, чтобы оно находилось вровень с платой.
- Зафиксируйте верхнюю стяжку направляющей DIN на плате.

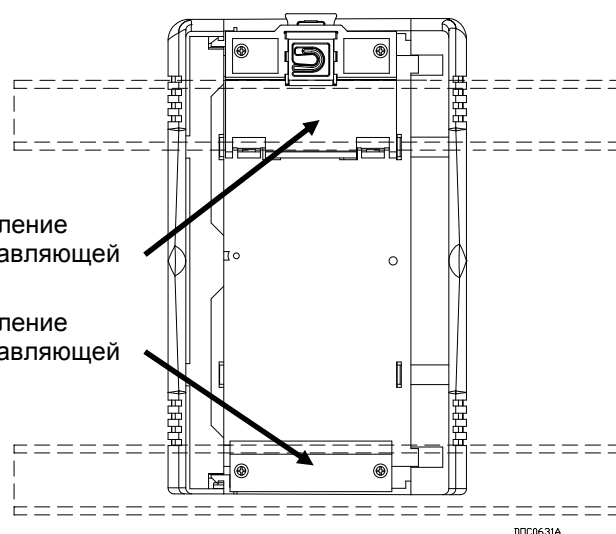


Рис. 4. Задняя часть устройства FFI

ПОДКЛЮЧЕНИЕ ПРОВОДКИ КОМПОНЕНТОВ УСТРОЙСТВА FFI

Подключение проводки устройства FFI включает в себя подключение полевой шины к модулям Н1, подключение модулей Н1 к внешнему источнику питания (при необходимости) и подключение ЦПУ устройства FFI на выход ROC или на внешний источник питания. Мы рекомендуем сначала подключить проводку устройства полевой шины к модулям Н1, а затем - FFI на выход ROC (или на внешний источник питания) до подачи электропитания.

Примечание: Модули оснащены съемными клеммными колодками для удобства подключения и обслуживания. Для сигнальной проводки входов/выходов рекомендуется применять витую пару. К съемным клеммным колодкам можно подключать провода сечением до 12-22 AWG.

Подключение проводки модулей Н1 Segment

Для подключения проводки модуля Н1 PWR или Н1 (не под напряжением):

1. Снимите изоляцию с конца провода (макс. 6,4 мм).
2. Вставьте неизолированный конец в зажим за клеммным винтом.
3. Затяните винт. См. Рис. 5 или Рис. 6.

Не рекомендуется снимать слишком большой участок изоляции во избежание короткого замыкания, также не рекомендуется натягивать провод при соединении, так как это может привести к появлению напряжения на растяжение.

Устройство FFI поддерживает до четырех сегментных модулей Н1 обоих типов. Модули под напряжением (см. Рис. 5) обеспечивают стабилизированное питание до 125 мА.

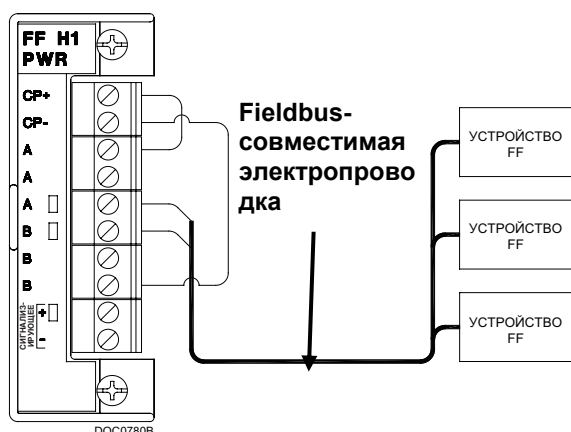


Рис. 5. Полевая электропроводка для модуля H1 под напряжением

Таблица 1 определяет каждую клемму и ее назначение модуля H1 под напряжением.

Таблица 1. Клеммы модуля H1 под напряжением

Клемма	Маркировка	Описание
1	CP+	Стабилизированное питание (+)
2	CP-	Стабилизированное питание (+)
3	A	Полевая шина A
4	A	Полевая шина A
5	A	Полевая шина A
6	B	Полевая шина B
7	B	Полевая шина B
8	B	Полевая шина B
9	Аварийный сигнал+	Защита от повышенного напряжения открытый коллектор
10	Аварийный сигнал-	Земля

Используйте отключенные от питания модули H1 и внешний источник стабилизированного питания, сертифицированный для использования с внешней полевой шиной (см. Рис. 6), если потребляемая мощность или количество устройств полевой шины неизвестны.

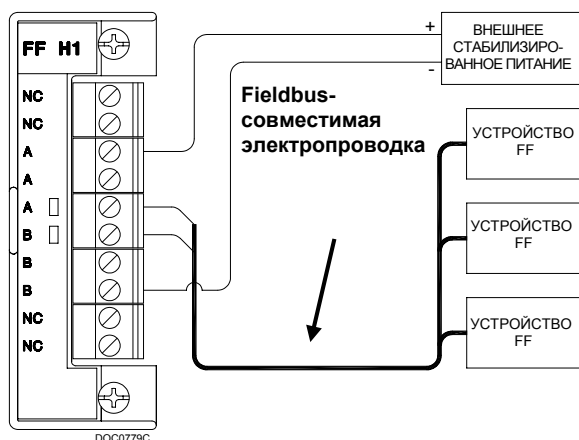


Рис. 6. Полевая электропроводка для отключенного от питания модуля H1

Таблица 2 определяет каждую клемму и ее назначение отключенного от питания модуля H1.

Таблица 2. Клеммы отключенного от питания модуля H1

Клемма	Маркировка	Описание
1	NC	Нет подключения
2	NC	Нет подключения
3	A	Полевая шина A
4	A	Полевая шина A
5	A	Полевая шина A
6	B	Полевая шина B
7	B	Полевая шина B
8	B	Полевая шина B
9	NC	Нет подключения
10	NC	Нет подключения

Примечание: устройство FF1 поддерживает до четырех модулей H1, вы можете подключить до 16 устройств полевой шины к каждому модулю. Но фактическое количество поддерживаемых устройств зависит от потребляемой мощности каждого устройства и типа используемого соединительного кабеля.

Выключение стабилизатора питания на модуле H1 PWR

Если вы решите, что питание от модуля H1 PWR недостаточное, вы можете отключить стабилизатор питания модуля H1 и использовать внешний источник стабилизированного питания.

Примечание: Этот вариант может использоваться **только** для модуля H1 PWR. **Необходимо** отключить стабилизатор питания модуля H1 PWR до подключения модуля к внешнему источнику питания. В противном случае существует опасность повредить стабилизатор питания модуля без возможности его восстановления.

Для отключения стабилизатора питания:

1. Снимите крышку кабель-канала.
2. Отсоедините всю электропроводку от клеммных колодок.
3. Отверните два фиксирующих винта, удерживающие модуль.
4. Плотно возьмитесь за пластиковый язычок на краю модуля и плавно извлеките модуль из гнезда. При этом допускается немного пошевелить модуль в гнезде.
5. Поместите модуль так, как показано на Рис. 7.

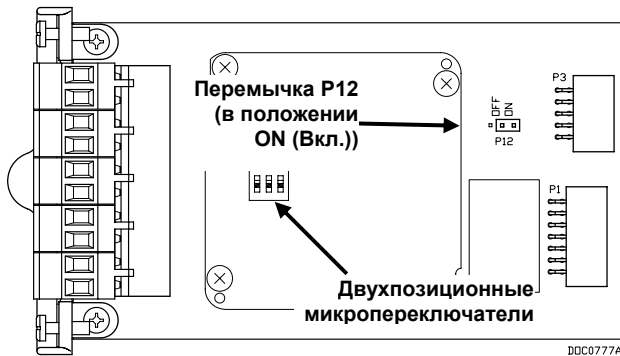


Рис. 7. Переключатель P12 на модуле H1 PWR

6. Переместите переключатель на P12 со второго и третьего контакта (ON (Вкл.)) на первый и второй контакт (OFF (Выкл.)).

Примечание: запрещается регулировать или изменять настройки двухпозиционных микропереключателей модуля H1. Микропереключатели по умолчанию установлены в режим OFF (Выкл.).

7. Установите модуль в правильное положение в гнезде на устройстве FFI и вставляйте его в корпус, пока контакты модуля не войдут в надежное соединение с контактами объединительной платы.
8. Затяните фиксирующие винты на передней части модуля.
9. Подключите электропроводку к модулю.
10. Установите крышку кабель-канала.

Подключение электропроводки модуля ЦПУ устройства FFI

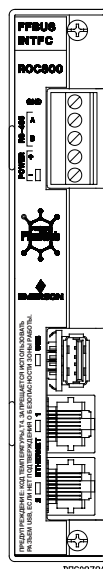


Рис. 8. Электроразъемы модуля ЦПУ

В таблице 3 приведено описание всех клемм на модули ЦПУ и их назначение.

Таблица 3. Клеммы модуля ЦПУ

Клемма	Маркировка	Описание
ТВ1 – 1	GND	Земля
ТВ1 – 2	A	Не используется
ТВ1 – 3	B	Не используется
ТВ1 – 4	+	Вход питания (+)
ТВ1 – 5	-	Вход питания (-)
6	USB	Не используется
7	1	Порт Ethernet
8	2	Порт Ethernet

Для подключения электропроводки к съемным зажимным клеммам на модуле ЦПУ:

1. Снимите изоляцию с конца провода (макс. 6,4 мм).
2. Вставьте неизолированный конец в зажим за незатянутым клеммным винтом.
3. Затяните винт.

Вы можете подключить электропроводку к устройству FFI, как в составе устройства ROC827, так и в автономном варианте.

Примечание: Подключение электропроводки устройства FFI к устройству ROC800 ("встроенная электропроводка") является предпочтительным методом, так как он обеспечивает отключение питания устройства FFI при отключении питания ЦПУ ROC800.

Подключение электропроводки устройства FFI в составе устройства ROC827

Вставьте устройство FFI в корпус устройства ROC827 (как показано на Рис.9).

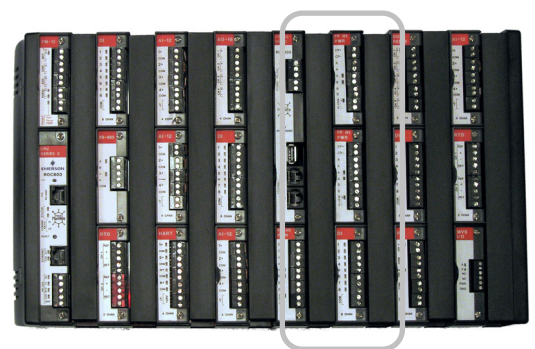


Рис. 9. Устройство FFI, вставленное в устройство ROC827

Примечание: Устройство ROC827 поддерживает до **четырёх** объединительных плат. Если устройство ROC827 уже оснащено четырьмя объединительными платами, замените одну из них на устройство FFI.

На *Рис. 10* показано устройство FFI с питанием от ROC800. Связь с устройством ROC800 и сетью, позволяет подключаться к устройству FFI через сеть Ethernet.

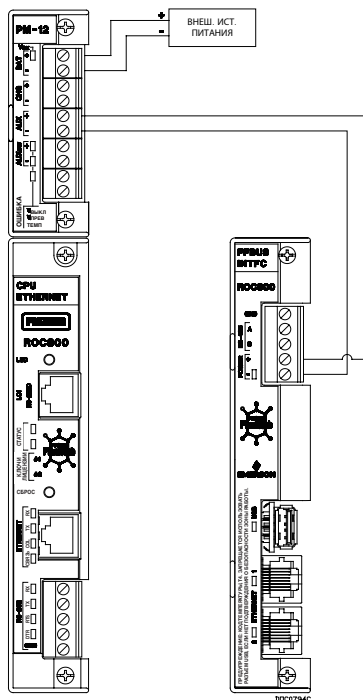


Рис. 10. Встроенная электропроводка FFI

Подключение электропроводки устройства FFI в автономном варианте

Если выбрана настройка FFI в автономном варианте, отдельно от ROC800, требуется подключить устройство FFI к собственному источнику питания. См. *Рис. 11*.

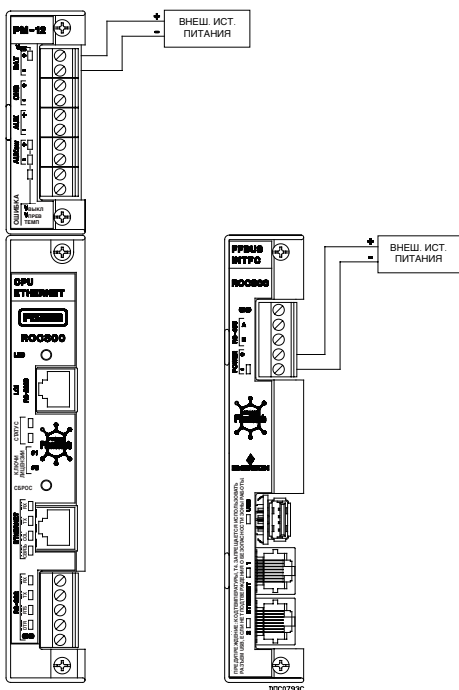


Рис. 11. Автономное подключение электропроводки устройства FFI

ЗАЗЕМЛЕНИЕ УСТРОЙСТВА FFI

Если на предприятии нет особых требований по заземлению, устройство FFI устанавливается как незаземленная система (без подключения к земле). В противном случае руководствуйтесь правилами, принятым в вашей компании. Однако в случае подключения заземленного устройства к порту EIA-485 (RS-485), устройства FFI необходимо **заземлить** источник питания устройства FFI.

При необходимости заземления оборудования, выполняйте следующие указания:

- При использовании для питания оборудования источника постоянного тока система заземления должна быть подключена к точке отключения. Все проводящие элементы заземления оборудования, включая провода или токоведущие элементы системы питания, должны иметь непрерывный контакт с точкой отключения.
- Неправильно выполненное заземление или неверные методы заземления могут стать причиной таких проблем, как замыкание контура заземления на систему. Надлежащее заземление FFI позволяет уменьшить влияние электрических помех на работу устройства и обеспечивает защиту от молний. Установите защиту от перенапряжения в точке отключения от источника питания постоянного тока для защиты установленного оборудования от молний и скачков напряжения. Можно также рассмотреть возможность использования телефонного ограничителя бросков напряжения для модуля модемной связи по телефонным линиям.

Подключите электропроводку питания. Определите требуемую потребляемую мощность, согласно *Главе 3 Руководства по устройству Foundation Fieldbus Interface* (форма A6259).

Проверка полярности подключения

1. Для подключения питания постоянного тока:
 - При необходимости выполните резервную конфигурацию и процедуру регистрации данных.
 - Также может потребоваться установка устройства защиты от перенапряжения в точке отключения.
 - Отключите все другие источники питания устройства ROC800.
 - Установите плавкий предохранитель перед источником питания.
 - Извлеките разъем клеммной колодки из гнезда.
 - Вставьте изолированный конец каждого провода в один из двух зажимов под соответствующим клеммным винтом ВАТ+ / ВАТ– (для источника питания 12 В постоянного тока) **ИЛИ** в зажим под соответствующим клеммным винтом "+ / --" (для источника питания 24 В постоянного тока).

Примечание: Клемма "+" также должна быть оснащена плавким предохранителем.

- Зафиксируйте винтом каждый провод в клеммной колодке. Вставьте разъем клеммной колодки обратно в гнездо.
 - Подключите остальные источники питания (при необходимости) к устройству FFI.
2. Подключите электропроводку к клеммным колодкам модуля интерфейса Н1. Схемы монтажа электропроводки с пояснениями приведены в *главе 4 Руководства по устройству Foundation Fieldbus Interface* (форма А6259).
 3. По завершении монтажа клеммных колодок нажмите на крышки кабель-каналов, чтобы зафиксировать их над кабель-каналами. См. *рис. 13*.
 4. Подайте питание для пуска устройства FFI. Светодиодный индикатор питания устройства FFI (см. *Рис. 13*) должен гореть зеленым цветом, означающим корректное напряжение питания.
 5. После успешного запуска сконфигурируйте устройство FFI в соответствии с требованиями по назначению. См. *Руководство по настройке устройства Foundation Fieldbus Interface* (форма А6250). При нормальной работе и стандартном применении пользовательские регулировки данного устройства не требуются.
 6. Для поддержания нормального функционирования устройства FFI периодически проверяйте проводку на наличие признаков повреждений.

Замена плавких предохранителей

Если сервер не функционирует, но, предположительно, на него подается питание, а индикатор питания POWER не горит, может потребоваться замена плавкого предохранителя 6,3 А модуля ЦПУ (см. *Рис. 12*).

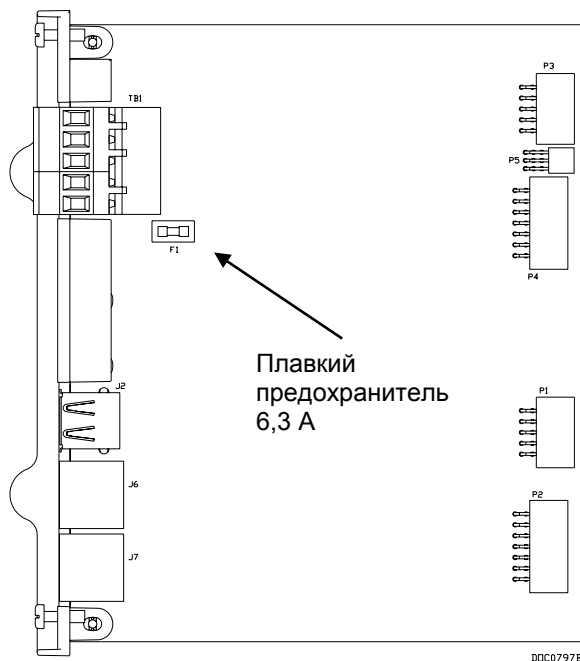


Рис. 12. Плавкий предохранитель ЦПУ 6,3 А

1. Отключите питание модуля ЦПУ.
2. Снимите крышку кабель-канала.
3. Отсоедините всю проводку интерфейсного модуля ЦПУ.
4. Отвинтите два фиксирующих винта в передней части лицевой панели модуля ЦПУ.
5. Возьмитесь за подъемные петли на кромке лицевой панели модуля ЦПУ и плавно извлеките модуль ЦПУ из гнезда на объединительной плате. Вы должны почувствовать момент, когда модуль отделяется от объединительной платы.
6. Аккуратно извлеките модуль ЦПУ из корпуса интерфейсного устройства. Не поцарапайте поверхность ЦПУ о корпус. Запрещается тянуть за провода интерфейсного устройства.
7. Осмотрите плавкий предохранитель (см *Рис. 12*) и, при необходимости, замените его плавким предохранителем MSB 6,3A SB (Slo-Blo).
8. Установите модуль ЦПУ в его паз на корпусе.
9. Вставьте модуль ЦПУ так, чтобы он вошел в соприкосновение с его контактами на объединительной плате.
10. Затяните два фиксирующих винта в передней части лицевой панели модуля ЦПУ.
11. Установите всю проводку.
12. Установите крышку кабель-канала.
13. Подайте питание на модуль ЦПУ.

РАЗБОРКА FFI

1. Создайте резервную копию всех данных конфигурации и журнала FFI. Затем отключите питание от устройства FFI и отсоедините внешнюю электропроводку от модулей Н1.
2. Снимите корпус FFI с направляющих DIN, открыв два зажима направляющих DIN в верхней части задней панели корпуса.
3. Поместите устройство FFI в тару для транспортировки или хранения.

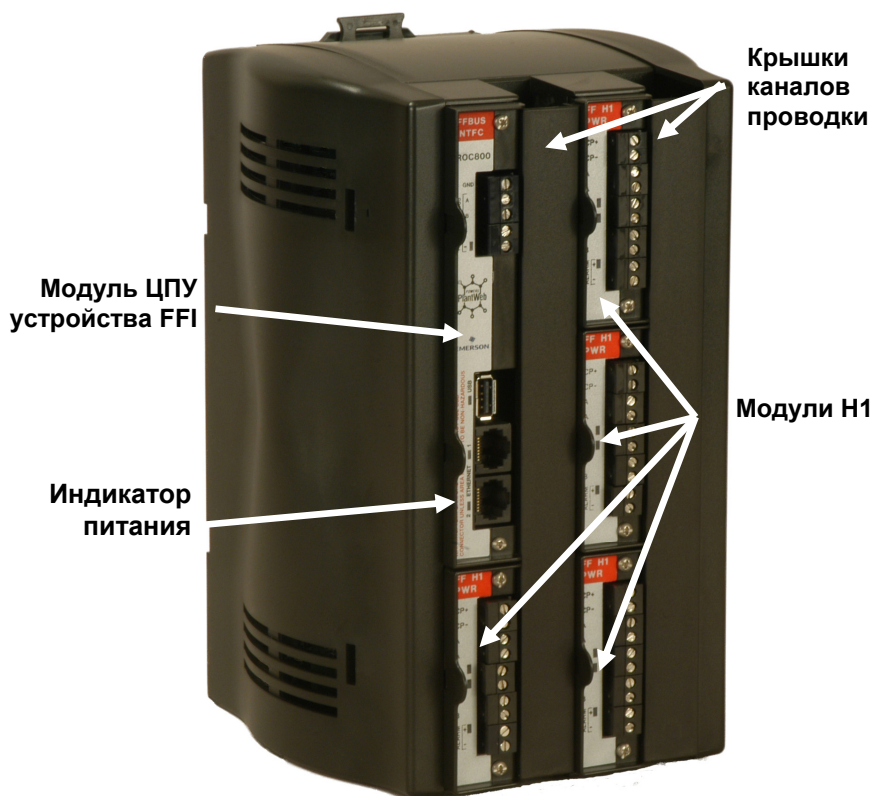


Рис. 13. FOUNDATION Fieldbus Interface

Корпорация Bristol, Inc., компании Bristol Babcock Ltd, Bristol Canada, BBI SA de CV и Flow Computer Division являются собственными дочерними компаниями Emerson Electric, и осуществляющими свою деятельность от имени Remote Automation Solutions ("RAS"), подразделения Emerson Process Management. FloBoss, ROCLINK, Bristol, Bristol Babcock, ControlWave, TeleFlow и Helicoid являются товарными знаками компании RAS. AMS, PlantWeb и логотип PlantWeb являются товарными знаками компании Emerson Electric. Логотип Emerson является товарным знаком и знаком обслуживания компании Emerson Electric. Все остальные товарные знаки являются собственностью соответствующих владельцев.

Данный документ публикуется исключительно в ознакомительных целях. Информация, содержащаяся в этом документе, какой бы точной она ни была, не может использоваться в качестве гарантий или гарантийных обязательств, явных или подразумеваемых, в отношении описанных здесь изделий и услуг, их использования и применимости. Компания RAS оставляет за собой право в любое время изменять или улучшать конструкцию и характеристики своих изделий без предварительного уведомления. Весь объем продаж регулируется условиями и положениями компании RAS, которые предоставляются по требованию. Компания RAS не принимает на себя ответственность за выбор изделия, его использование или обслуживание. Ответственность за правильность выбора продукции компании RAS, ее использование и обслуживание возлагается исключительно на покупателя и конечного пользователя.

Emerson Process Management

Flow Computer Division
Marshalltown, IA 50158 U.S.A.
Houston, TX 77065 U.S.A.
Pickering, North Yorkshire UK Y018 7JA



FOUNDATION™ 现场总线接口 (ROC800 系列)

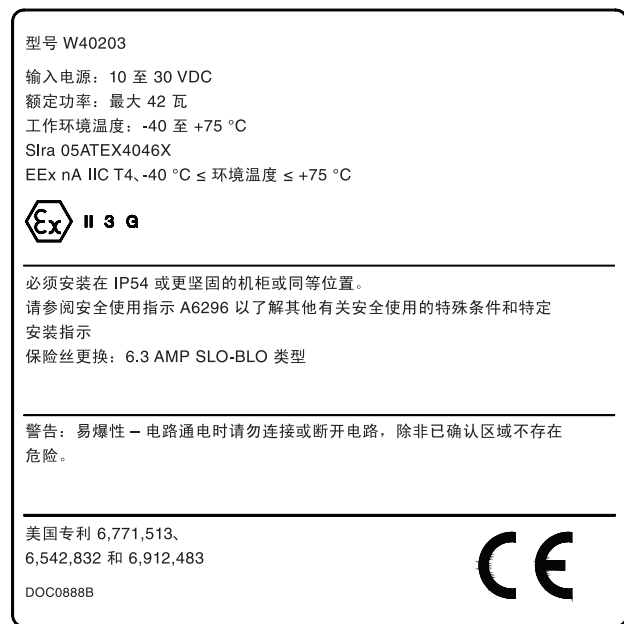


图 1. FOUNDATION 现场总线接口标签

使用此安全使用说明 (SUI) 文档和 FOUNDATION 现场总线接口安装手册 (表 A6259)。有关安装和故障排除过程的所有注意事项和说明, 请参阅此手册。如果您需要有关此产品的培训, 请联系当地销售处。

订购通过 ATEX 审批的 Foundation 现场总线接口 (简称为“FFI”) 时, 可以选购 FOUNDATION 现场总线接口 (ROC800 系列) (ROC800:FFI) 技术规格中说明的 H1 分段模块。

FFI 安全使用特殊条件

- 将设备安装在 IP54 或更坚固的机柜或同等位置。任何机柜都应通过相关认证, 或通过使用区域 (区域 2) 的审批。
- 用户应确保使用时不会超过额定输入电压。

符合性声明

Remote Automation Solutions 特此声明 Foundation 现场总线接口产品符合欧洲指令 2004/108/EC (EMC) 和 1994/9/EC (ATEX) 中适用的基本要求和相关规定。

**警告**

在危险区域安装组件时, 请确保所选的所有安装组件都标明了可以用于这些区域。必须在确认地点安全后, 才可以执行安装和维护。在危险区域安装或维护可能导致人员受伤或财产损失。

进行任何接线操作前都必须切断 Foundation 现场总线接口的电源。对通电设备进行接线可能会造成人员受伤或财产损失。

为防止在单元内工作时损坏电路, 请采取适当的静电放电防护措施 (例如佩戴接地腕带)。

**警告**

将 Foundation 现场总线接口连接至电源前请检查输入电源的极性。

安装、维护和故障排除需要使用以下工具:

- 运行 Microsoft® Windows® 2000 (含 Service Pack 2)、Windows XP 或 Windows Vista 的个人计算机。
- ROCLINK™ 800 组态软件。
- 十字槽螺丝刀。
- 平头螺丝刀。

CPU 规格
<p>电源 (CPU) 24 V dc 时为 3.56 W (输入电压为 10 至 30 V dc)。</p> <p>材料 盒: 丙烯腈-丁二烯-苯乙烯 (ABS) 塑料。 线槽盖板: 聚丙烯塑料。 模块: 热塑性聚酯, 耐溶剂。</p> <p>环境 工作温度: -40° 至 +75°C。 存储温度: -40° 至 +85°C。 相对湿度: IEC68-2-3; 5 - 95% (非冷凝)。 振动: IEC68-2-6; 0.15 mm 或 20 m/sec² 机械震动: IEC68-2-27; 11 毫秒, 正弦 50G (非运行)、15 G (运行) 热冲击: IEC68-2-14; 空对空从 -20° 至 85°C</p> <p>重量 外壳、背板和 CPU: 1.65 kg</p>
H1 模块规格
<p>电源 (CPU) 1.18 W (从内部功率调节器或外部电源)</p> <p>过电压保护 ± 36 V dc, 现场总线连接 + 28 V dc, 警报连接</p> <p>调节电源输出 18 至 24 V dc; 最大 125 mA; 150 mA 出现过流故障指示</p> <p>端子 H1 模块含调节电源选项: 100 Ω 1%、1 uF、50 V。</p> <p>分段模块阻抗 符合 FF 标准</p> <p>重量 100 g</p>

通用规格
<p>审批 已通过以下欧洲标准的评估 (EMC): EN55011 (放射性)。 EN61000-4-2 (抗静电)。 EN61000-4-3 (电磁场抗扰性)。 EN61000-4-4 (电气快速瞬变抗扰)。 EN61000-4-6 (传导抗扰性)</p> <p>注: 符合抗扰性性能标准 B</p> <p>已通过以下欧洲标准的评估 (ATEX): EN50014 (1997) +A1 +A2。 EN60079-15 (2003)。 已通过 Sira 的 Model W40203 认证。</p> <p>危险场所使用产品标记: Ex nA IIC T4 - 40° C ≤ 环境温度 ≤ +75° C</p> <p> II 3 G. CE</p> <p>证书编号 Sira 05ATEX4046X</p>

安装 FFI

您可以把 FFI 当做独立的装置或 ROC827 的组成部分来安装。ROC827 最多可支持 4 个背板。如果 ROC827 已经装有 4 个背板, 则必须拆除其中一个背板, 并用 FFI 来替换它的位置。

1. 交付时, FFI 使用箱子包装。将它从箱中取出。出厂时已安装 CPU 和 H1 模块。
2. 寻找 FFI 的合适安装位置。FFI 应始终安装在用户提供的机柜中, 因为 FFI 不可直接暴露于雨、雪、冰、浮尘或碎屑以及腐蚀性空气中。如果要在室外安装 FFI, 则将其置于 IP54 (或更好) 级别要求的机柜之中。

注: 密封机柜上的所有孔洞, 以确保达到所需的 IP54 级维护。

选择机柜时, 一定要检查所有空隙。为接线和维修保留足够的空隙。请参阅图 2 和图 3。

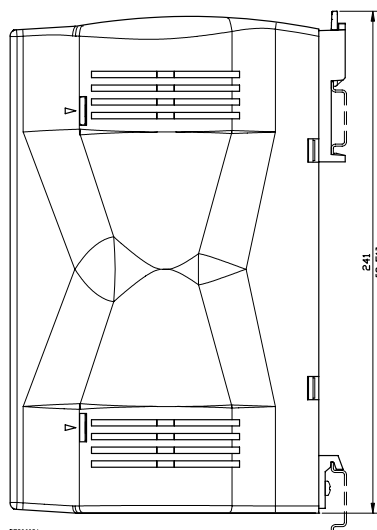


图 2. FFI 侧视图

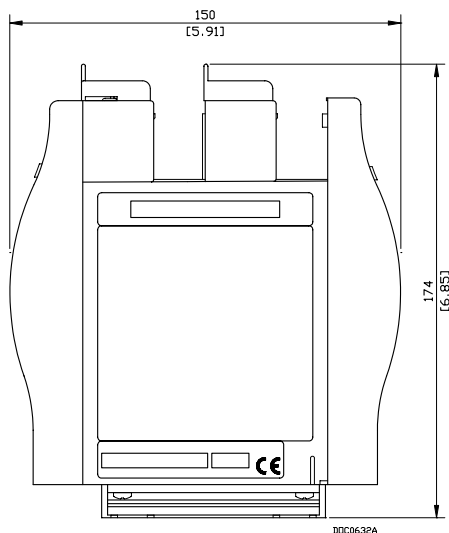


图 3. FFI 底视图

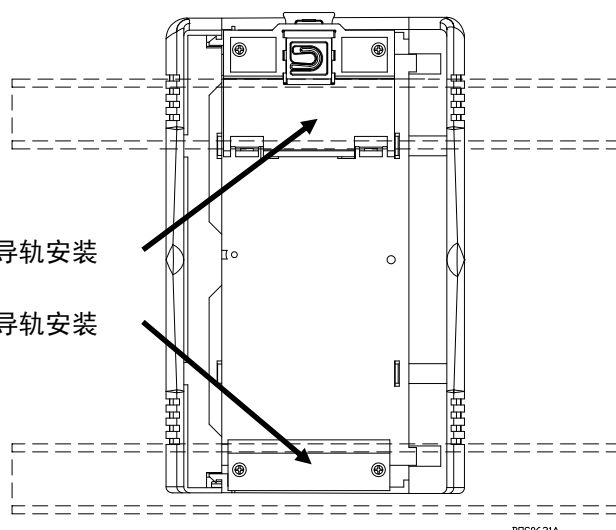


图 4. FFI 背面

3. FFI 外壳安装到两个 35 x 7.5 毫米的 DIN 导轨。请参阅图 4。

- 将上 DIN 导轨安装到 FFI。
- 将下 DIN 导轨安装在背板上。
- 将 FFI 放在安装到背板的下导轨上，确保 FFI 的下缘与面板平接。
- 转动 FFI 顶部直至其与面板平接。
- 将 DIN 导轨的上腕带固定到面板上。

FFI 组件接线

FFI 接线包括：将现场总线设备接至 H1 模块；将 H1 模块接至外部电源（如果适合）；将 FFI CPU 模块接至 ROC 或外部电源。对于此文档，我们建议您先将现场总线设备接至 H1 模块，然后在通电前将 FFI 接至 ROC（或外部电源）。

注： 为便于接线和维修，模块的接线端子是可移除的。推荐使用双绞线进行 I/O 信号接线。可移除的接线端子能接受 12-22 AWG 的接线。

H1 分段模块接线

要进行 H1 PWR 或 H1（非供电）模块接线，请执行以下操作：

1. 剥开线缆的末端（最多 6.4 毫米）。
2. 将裸露端插入螺钉端子下方的接线夹中。
3. 拧紧螺钉。请参阅图 5 或图 6。

尽量减少裸线外露部分以防止短路，但在连接时使电线略为松弛以避免绷得过紧。

FFI 最多支持四个这两种 H1 分段模块之一。供电模块（请参阅图 5）最高提供 125 mA 的调节电源。

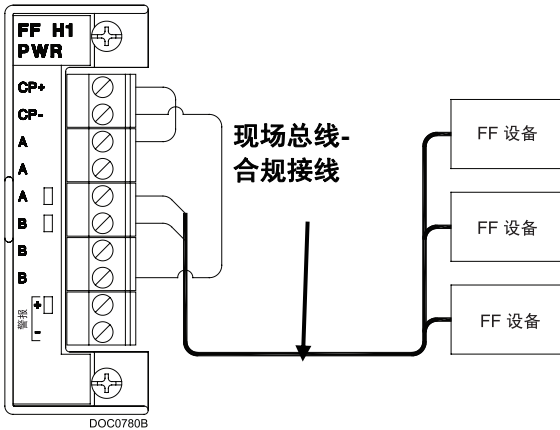


图 5. 对 H1 供电模块进行现场接线

表 1 列出了 H1 供电模块上的每个端子及其用途。

表 1. H1 供电模块端子

端子	标签	定义
1	CP+	调节电源正极
2	CP-	调节电源负极
3	A	现场总线 A
4	A	现场总线 A
5	A	现场总线 A
6	B	现场总线 B
7	B	现场总线 B
8	B	现场总线 B
9	警报 +	过电流集电极开路
10	警报 -	接地

当您不确定现场总线设备的功耗或编号时，请使用非供电的 H1 模块和一个通过现场总线审批的外部调节电源（请参阅图 6）。

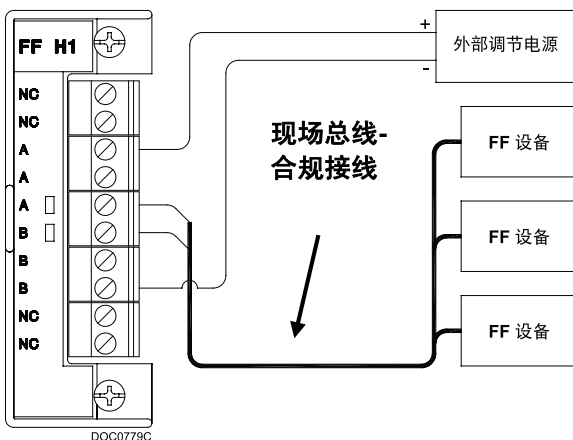


图 6. 对 H1 非供电模块进行现场接线

表 2 列出了 H1 非供电模块上的每个端子及其用途。

表 2. H1 非供电模块端子

端子	标签	定义
1	NC	无连接
2	NC	无连接
3	A	现场总线 A
4	A	现场总线 A
5	A	现场总线 A
6	B	现场总线 B
7	B	现场总线 B
8	B	现场总线 B
9	NC	无连接
10	NC	无连接

注： FFI 最多支持四个 H1 模块，并且您最多可以将 16 个现场总线设备连接至每个模块。但是，支持设备的实际编号取决于每个设备的功耗及所用连接缆线的类型。

禁用 H1 PWR 模块上的功率调节器

如果您确定 H1 PWR 模块所提供的电量不够设备所需，则可禁用 H1 模块上的功率调节器并使用外部调节电源。

注： 该选项仅适用于 H1 PWR 模块。将模块接至外部电源之前，必须先禁用 H1 PWR 模块上的功率调节器。否则，将对模块的功率调节器造成不可恢复的损坏。

要禁用功率调节器，请：

1. 拆除线槽盖板。
2. 断开所有接至接线端子的线缆。
3. 旋松固定模块的两颗系紧螺钉。
4. 抓紧模块边缘的塑料凸缘，轻轻地从插槽拉动模块。您可能需要轻轻地扭动模块。
5. 将模块放在图 7 所示的位置。

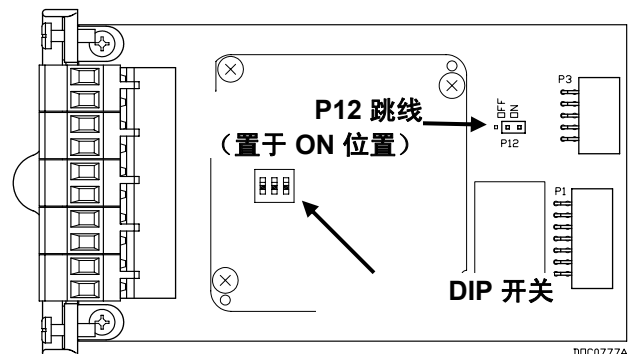


图 7. H1 PWR 模块上的 P12 跳线

- 将 P12 跳线从第二和第三个引脚 (ON) 移到第一和第二个引脚 (OFF)。

注： 请勿调节或更改 H1 模块上的 DIP 开关设置。这些开关在出厂时设定为 OFF。

- 使模块对准 FFI 插槽并将其滑入盒中，直到模块连接器稳固接触背板上的连接器。
- 拧紧模块正面的系紧螺钉。
- 连接模块。
- 更换线槽盖板。

对 FFI CPU 模块接线

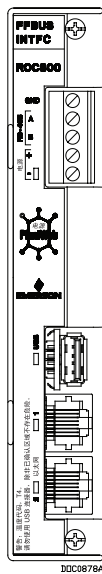


图 8. CPU 模块接线端子

表 3 列出了 CPU 模块上的每个端子及其用途。

表 3. CPU 模块端子

端子	标签	定义
TB1 - 1	GND	接地
TB1 - 2	A	当前未使用
TB1 - 3	B	当前未使用
TB1 - 4	+	电源输入正极
TB1 - 5	-	电源输入负极
6	USB	当前未使用
7	1	以太网接口
8	2	以太网接口

要将接线连接至 CPU 模块上可移除的压紧式端子块，请执行以下操作：

- 剥开线缆的末端（最多 6.4 毫米）。
- 将裸露端插入松开的螺钉端子下方的接线夹中。
- 拧紧螺钉。

您可以把 FFI 当做 ROC827 的组成部分或独立的装置来进行接线。

注： 将 FFI 接至 ROC800（“整体布线”）是首选方法，因为它能确保从 ROC800 CPU 去掉电源时也能从 FFI 去掉电源。

将 FFI 当做 ROC827 的组成部分来进行接线

将 FFI 插入 ROC827 外壳（如图 9 所示）。

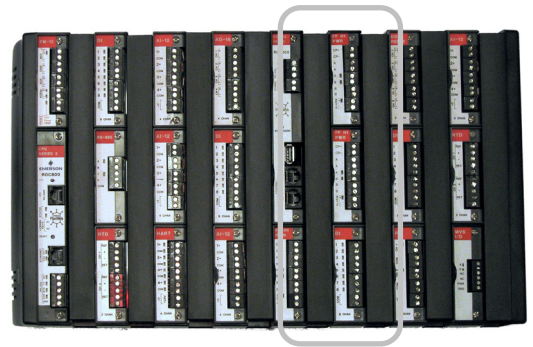


图 9. 插入 ROC827 的 FFI

注： ROC827 最多可支持 4 个背板。如果 ROC827 已经装有 4 个背板，则必须拆除其中一个背板，并用 FFI 来替换它的位置。

图 10 显示了 FFI 从 ROC800 获取电源的方式。可使用 FFI 上的以太网连接与 ROC800 以及网络进行通信。

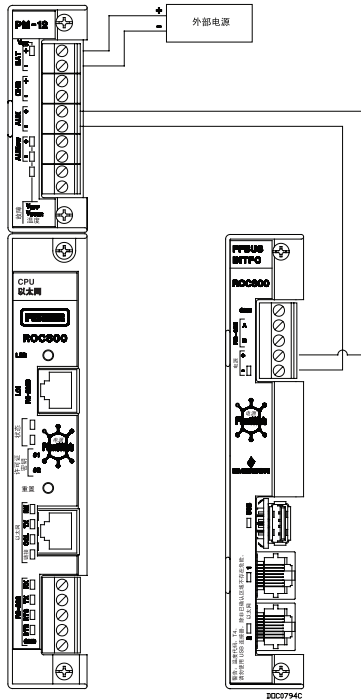


图 10. FFI 的完整接线

将 FFI 当做独立的设备进行接线

若选择把 FFI 当做独立于 ROC800 的装置进行配置，则必须将 FFI 接至其自有的电源。请参阅图 11。

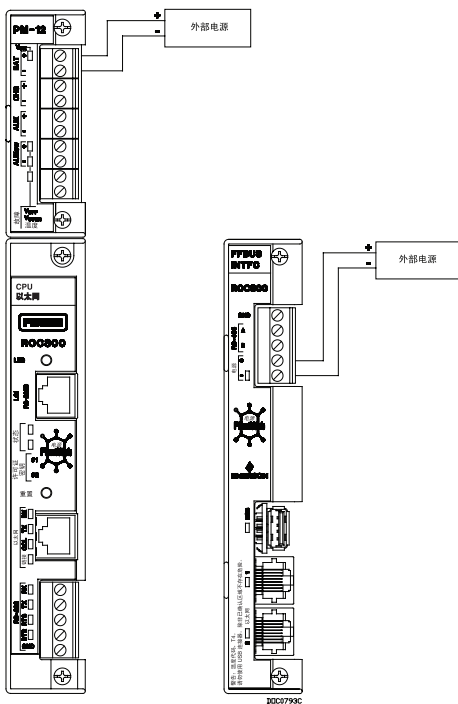


图 11. FFI 的独立接线

将 FFI 接地

如果您的公司没有特定的接地要求，则请将 FFI 作为“浮动”（不接地）系统来安装。否则，请按照贵公司

的特定接地惯例。但是，如果您正在连接接地设备和 FFI EIA-485 (RS-485) 端口，请将 FFI 电源接地。

如果您必须使设备接地，请遵循以下指引：

- 如果设备使用的是直流电源，接地系统必须与电气接入点断开（即保持“悬空”状态）。所有的设备接地体（包括导线和电源供电线路）在电气接入点之前必须有一条不间断的电流通路。
- 错误接地或接地不良经常会引起问题，例如将接地回路引入系统。FFI 正确接地可帮助减少电噪声对设备运行的影响，并免遭雷电袭击。在直流电压电源系统的服务中断处安装浪涌保护设备，以保护安装的设备不受雷电和电涌的影响。对于拨号调制解调器通信模块，您还可以考虑使用电话浪涌保护器。

连接电源接线。确定 *Foundation 现场总线接口安装手册*（表 A6259）第三章中说明的电源要求。

验证连接的极性

1. 要连接 DC 电源，请执行以下操作：

- 如果适合，请执行组态和日志数据的备份程序。
- 还可以在服务停止处安装浪涌保护设备。
- 断开 ROC800 的所有电源。
- 在输入电源处安装保险丝。
- 拔下插孔上的接线端子接头。
- 将每根线缆的裸露端插入相应 BAT+ / BAT - 螺钉端子下方的接线夹中（针对 12 V dc 电源）或相应 + / - 螺钉端子下方的接线夹中（针对 24 V dc 电源）。

注： 正端子也必须配备保险丝。

- 将每条线缆旋紧到接线端子。将接线端子接头插回插孔。
- 更换 FFI 的其他所有电源（如果必要）。

2. 将接线连接到 H1 接口模块上的接线端子。请参阅 *Foundation 现场总线接口安装手册*（表 A6259）的第四章了解接线图示和说明。

3. 完成接线端子的接线后，将线槽盖板在线槽按入到位。请参阅图 13。

4. 接通电源启动 FFI。FFI 上的电源 LED 指示灯（请参阅图 13）应呈绿色亮起，指示所应用的电压正确。

5. 成功启动后，请配置 FFI 以满足应用要求。请参阅 *现场接口组态软件用户手册*（表 A6250）。设备的正常运行和使用过程中，不需要用户进行调整。

6. 要维护 FFI，请定期检查接线是否有损坏迹象。

更换保险丝

如果服务器不工作且 POWER - LED 不亮但您又确信已通电时，可能需要更换 CPU 模块上的 6.3 A 保险丝（请参阅图 12）。

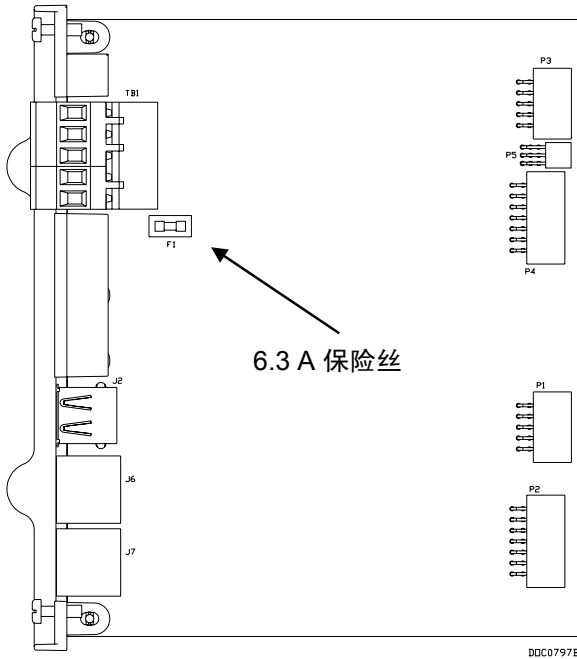


图 12. CPU 6.3 A 保险丝

1. 从接口 CPU 模块去掉电源。
2. 拆除线槽盖板。
3. 从接口 CPU 模块断开所有接线。
4. 旋松 CPU 模块面板正面的两颗小固定螺钉。
5. 抓住 CPU 模块面板边缘的移片器翼片，小心地将 CPU 模块从背板上的插孔内提出。您应该感觉到模块脱离背板。
6. 小心地从接口外壳拆除 CPU 模块。不要让 CPU 的任一侧刮到外壳。确保不要拉动接至接口的任何一根线缆。
7. 检查保险丝（请参阅图 12）并在必要时用 MSB 6.3A SB (Slo-Blo) 保险丝更换。
8. 将 CPU 模块放置到外壳上的槽内。
9. 将 CPU 模块向下滑进背板上的连接器内。
10. 拧紧 CPU 模块面板正面的两颗小固定螺钉。
11. 重新连接所有接线。
12. 更换线槽盖板。
13. 对 CPU 模块恢复供电。

拆卸 FFI

1. 备份 FFI 的所有组态和日志数据。然后，切断 FFI 的所有电源，并移除 H1 模块的所有外部接线。
2. 松开外壳背面顶部的两个 DIN 导轨锁环，将 FFI 外壳从 DIN 导轨中移除。
3. 将 FFI 放入箱中，以便存放或运输。

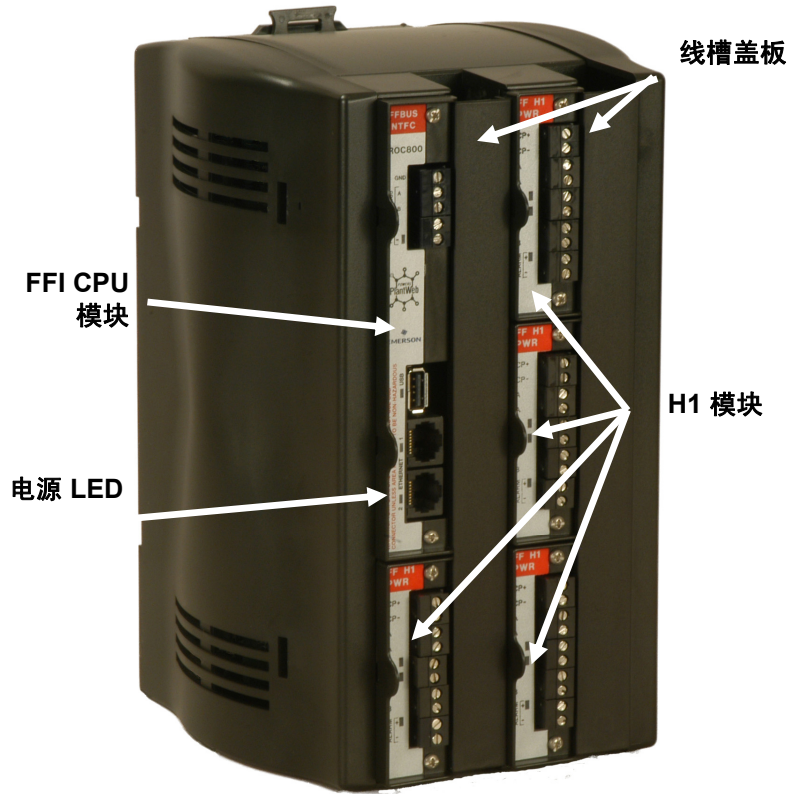


图 13. FOUNDATION 现场总线接口

Bristol, Inc.、Bristol Babcock Ltd、Bristol Canada、BBI SA de CV 和 Flow Computer Division 是艾默生电气公司的全资子公司。它们经营的业务与 Emerson Process Management 的 Remote Automation Solutions (“RAS”) 部相同。FloBoss、ROCLINK、Bristol、Bristol Babcock、ControlWave、TeleFlow 和 Helicoid 是 RAS 的商标。AMS、PlantWeb 和 PlantWeb 徽标是艾默生电气公司的标识。Emerson 徽标是艾默生电气公司的商标和服务标识。所有其它标识均为其各自所有人的财产。

本出版物的内容仅供参考。我们已尽最大努力确保信息的准确性，这些信息不得视为对此处所述产品或服务以及其使用或适用性的明示或暗示保证或担保。RAS 有权随时修改或改进产品的设计或规格，而不另行通知。所有销售均受 RAS 的条款和条件的制约，这些条款或条件在要求时可提供。RAS 对任何产品的选择、使用和维护概不负责。购买者和最终用户应该独自承担正确选择、使用和维护任何 RAS 产品的责任。

Emerson Process Management

Remote Automation Solutions

Marshalltown, IA 50158 U.S.A.

Houston, TX 77065 U.S.A.

Pickering, North Yorkshire UK Y018 7JA



FOUNDATION™ Fieldbus Interface (فئة-ROC800)



عند تثبيت الوحدات في منطقة خطرة، تأكد من أن كل عناصر التثبيت المحددة قابلة للاستخدام في هذه المناطق، وذلك بمراجعة التعليمات الواردة عليها. يجب القيام بالتثبيت والصيانة فقط حين تكون المنطقة غير خطرة. يمكن أن يؤدي التثبيت أو الصيانة في منطقة خطرة إلى إصابة شخصية أو ضرر في الممتلكات.

أوقف تشغيل Foundation Fieldbus Interface دائماً قبل أن تقوم بأي نوع من التوصيلات. يمكن أن يؤدي وصل المعدات المشغلة إلى إصابة شخصية أو ضرر في الممتلكات.

لتفادي تعرض الدارة الكهربائية إلى أي ضرر خلال العمل في الوحدة، اعتمد احتياطات التفريغ الكهربائي كوضع رباط معصم مؤرض.



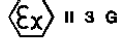
تحقق من قطبية طاقة التغذية قبل تزويد جهاز Foundation Fieldbus Interface بالطاقة.

إن الأدوات التالية ضرورية للتثبيت والصيانة واكتشاف المشاكل ومعالجتها:

كمبيوتر شخصي بنظام تشغيل Microsoft® Windows® 2000 (مع Service Pack 2) أو Windows XP أو Windows Vista.
برنامج إعداد ROCLINK 800™.
مفك مصائب فيلبس.
مفك براغي مسطح الرأس.

موديل W40203

إدخال الطاقة: 10 إلى 30 فولت تيار مستمر
معدل استهلاك الطاقة: 42 واط كحد أقصى
درجة حرارة محيط التشغيل: 40- درجة مئوية إلى +75 درجة مئوية
Sira 05ATEX4046X
EEx nA IIC T4 -40 درجة مئوية درجة حرارة المحيط +75 درجة مئوية



يجب التثبيت في IP54 أو في حاوية أفضل أو في موقع مماثل. مراجعة تعليمات الاستخدام الآمن A6296 للحالات الخاصة الإضافية للاستخدام الآمن وتعليمات التثبيت المحددة
استبدال قاطع التيار: 6.3 أمبير نوع SLO-BLO (الضربة البطيئة)

تحذير: خطر الانفجار – لا تقم بالوصل أو الفصل عندما تكون الدائرة الكهربائية مشغلة إلا إذا كنت واثقاً من أن المنطقة لا تشكل خطراً.



الولايات المتحدة الأمريكية براءة اختراع 6,771,513
6,912,483 و 6,542,832

W11961X0012

الرسم 1. علامة FOUNDATION Fieldbus Interface

استخدم مستند تعليمات الاستخدام الآمن (SUI) مع دليل تعليمات FOUNDATION Fieldbus Interface (طراز A6259). للاطلاع على كل التنبيهات والشروط الخاصة بإجراءات التثبيت واكتشاف المشاكل ومعالجتها، راجع دليل التعليمات. إذا احتجت إلى التدريب على هذا المنتج، فاتصل بمكتب المبيعات المحلي لديك.

يمكن طلب جهاز Foundation Fieldbus Interface ("FFI" أو "FOUNDATION Fieldbus Interface") المصنوع من قبل ATEX مع وحدات القسم H1 التي تم شرحها في المواصفات الفنية FOUNDATION Fieldbus Interface (فئة ROC800: FFI).

شروط FFI الخاصة للاستخدام الآمن

- تثبيت الجهاز في IP54 أو في حاوية أفضل أو في موقع مماثل. ينبغي أن تحظى الحاوية المستخدمة على التصديق أو الموافقة المناسبة لمنطقة الاستخدام (المنطقة 2).
- يجب أن يضمن المستخدم عدم تخطي الحد الأقصى من معدل جهد التغذية خلال الخدمة.

إعلان المطابقة

تعلن Remote Automation Solutions بموجب منتجها أن منتجات Foundation Fieldbus Interface مطابقة للمتطلبات الأساسية وأحكام التوجيهات الأوروبية الأخرى ذات الصلة 1994/9/EC (ATEX) و 2004/108/EC (EMC).

المواصفات المشتركة
<p>التصديقات</p> <p>تم التقييم بحسب المعايير الأوروبية التالية (EMC): (إصدارات) EN55011. EN6100-4-2 (مناعة التفريغ الكهربائي). EN61000-4-3 (مناعة الميدان الكهرومغناطيسي) EN61000-4-4 (مناعة العبور الكهربائي السريع). EN61000-4-6 (المناعة المنقولة)</p> <p>ملاحظة: تتوافق مع معيار الأداء B للمناعة</p> <p>تم التقييم بحسب المعايير الأوروبية التالية (ATEX): EN50014 (1997) + A1+A2. EN60079-15(2003). مصنقة من Sira كموديل W40203.</p> <p>تحديدات المنتج للمواقع الخطرة: T4 IIC nA EEx - 40 درجة مئوية ≤ حرارة المحيط إلى 75+ درجة مئوية</p> <p> رقم الشهادة Sira 05ATEX4046X</p>

تثبيت FFI

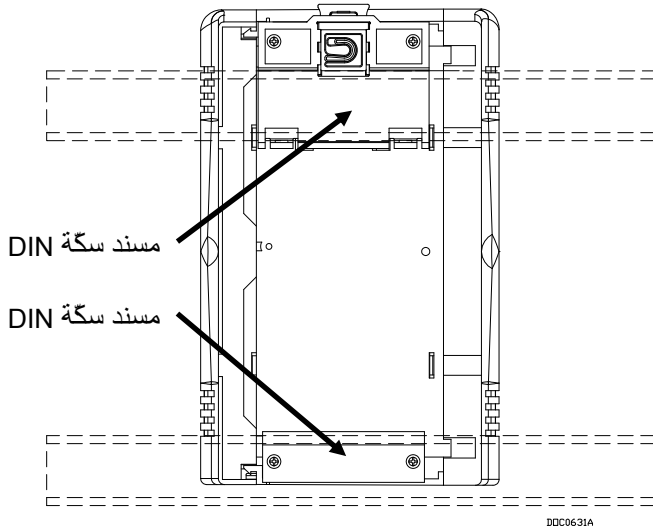
يمكنك تثبيت جهاز FFI إما كوحدة مستقلة أو كجزء لا يتجزأ من ROC827. بدعم ROC827 أربع لوحات إلكترونية معززة كحد أقصى. وفي حال كان ROC827 يحتوي على أربع لوحات إلكترونية معززة، عليك إزالة لوحة واحدة واستبدالها بجهاز FFI.

1. يتم تسليم جهاز FFI في علبة. أخرجها من العلبة. تكون وحدة المعالجة المركزية ووحدات H1 مثبتة أساساً في المصنع.
2. ابحث عن موقع مناسب لوضع جهاز FFI. اعمد دوماً إلى تثبيت جهاز FFI في الحاوية التي يؤمنها المستخدم، لأن FFI يتطلب حماية مباشرة من المطر والثلج والجليد والغبار أو الحطام والتآكل. إذا قمت بتثبيت FFI خارج المبنى، فضعه في حاوية IP54 (أو حاوية أفضل) المناسبة.

ملاحظة: احرص على سد أي ثقب يحدثها في الحاوية لهذا الغرض لضمان صيانة إمكانية IP54 المطلوبة.

عند اختيار الحاوية، تحقق من كل الفسحات. وقّر فسحات مناسبة لوصل الأسلاك. راجع الرسم 2 والرسم 3.

مواصفات وحدة المعالجة المركزية
<p>طاقة (وحدة المعالجة المركزية)</p> <p>3.56 واط بقوة 24 فولتاً تيار مستمر (طاقة التغذية من 10 إلى 30 فولتاً تيار مستمر).</p> <p>المواد</p> <p>علية: بلاستيك أكريلونيتريل بيوتاديين إستيرين (ABS). أغطية قناة الأسلاك: بلاستيك بولي بروبيلين. الوحدات: بولي استرات بلاستيكي حراري ومذيبات مقاومة</p> <p>المواصفات البيئية</p> <p>حرارة التشغيل: 40°- إلى 75°+ درجة مئوية حرارة التخزين: 40°- إلى 85°+ درجة مئوية الرطوبة النسبية: IEC68-2-3؛ 5-95% غير متكثف. الاهتزاز: IEC68-2-6؛ 0.15 ملم أو 20 متر/الثانية² صدمة ميكانيكية: IEC68-2-27؛ 11 مللي ثانية، بشكل جيبي 50 وحدة تسارع جاذبية أرضية (G) في وضع إيقاف التشغيل، 15 وحدة تسارع جاذبية أرضية (G) في وضع التشغيل صدمة حرارية: IEC68-2-14؛ تبادل هوائي من 20°- إلى 85° درجة مئوية</p> <p>الوزن</p> <p>الغلاف الخارجي واللوح الإلكتروني المعززة ووحدة المعالجة المركزية: 1.65 كلغ</p>
مواصفات وحدة H1
<p>طاقة (وحدة المعالجة المركزية)</p> <p>1.18 واط (من محسن الطاقة الداخلية إلى موفر الطاقة الخارجية)</p> <p>الحماية من الجهد الزائد</p> <p>± 36 فولتاً تيار مستمر، وصلات fieldbus 28 + فولتاً تيار مستمر، وصلات المنبه</p> <p>طاقة الإخراج المحسنة</p> <p>من 18 إلى 24 فولتاً تيار مستمر؛ 125 مللي أمبيراً كحد أقصى؛ 150 مللي أمبيراً إشارة خطأ إلى تيار زائد</p> <p>الفاصل</p> <p>وحدة H1 مع خيار الطاقة المحسنة: 100Ω 1%، 1 ميكروفاراد، 50 فولتاً.</p> <p>معاوقة وحدة الجزء</p> <p>المطابقة مع معايير FF</p> <p>الوزن</p> <p>100 غرام</p>



الرسم 4. الجهة الخلفية لجهاز FFI

وصل أسلاك مكونات FFI

يشمل وصل أسلاك FFI وصل أجهزة fieldbus بوحدات الـ H1، ووصل وحدات H1 بالطاقة الخارجية (إذا كان ذلك مناسباً)، ووصل وحدة معالجة FFI المركزية بـ ROC أو بالطاقة الخارجية. في ما يتعلق بهذا المستند، نقترح عليك أولاً وصل أسلاك أجهزة fieldbus بوحدات الـ H1 ومن ثم وصل أسلاك الـ FFI بالـ ROC (أو الطاقة الخارجية) قبل تشغيلها.

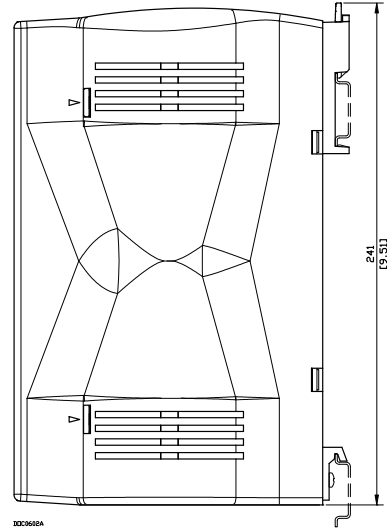
ملاحظة: تحتوي الوحدات على قطع متعددة الأطراف لوصل الأسلاك الملائمة وتوفير الخدمة. ينصح بالكابل الزوجي الملتوي للوصل بإشارة الإدخال والإخراج. تتطلب القطع متعددة الأطراف القابلة للإزالة السلك الأميريكي بحجم 12-22.

وصل وحدات قسم H1

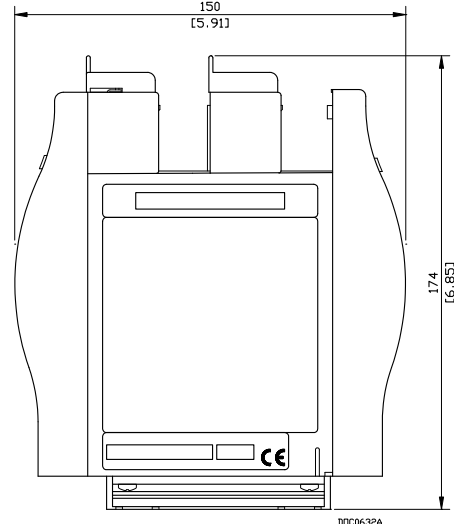
لوصل وحدة H1 المزودة بالطاقة أو H1 (غير المزودة بالطاقة):

1. اكتشف طرف السلك (6.4 ملم كحد أقصى).
 2. أدخل الطرف المكشوف في الرباط تحت البرغي الخاص به.
 3. ثبت البرغي بإحكام. راجع الرسم 5 أو الرسم 6.
- اكتشف أقل ما يمكن من السلك لتفادي الدارات القصيرة، ولكن اسمح ببعض التراخي عند القيام بالتوصيلات لتفادي الإجهاد.

يدعم FFI كحد أقصى أربعة وحدات من نوعي وحدات قسم H1. توفر الوحدات المزودة بالطاقة (راجع الرسم 5) 125 مللي أمبيراً من الطاقة المحسنة كحد أقصى.



الرسم 2. صورة جانبية لجهاز FFI



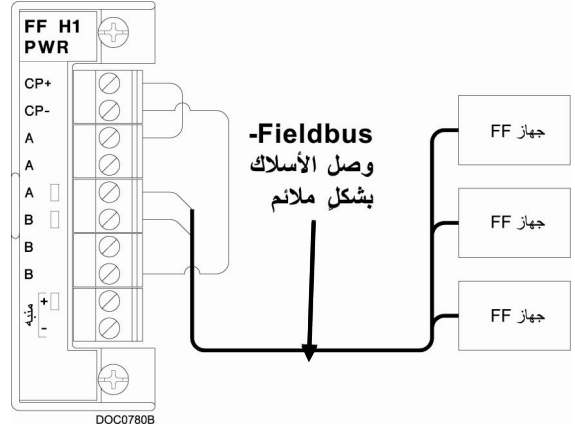
الرسم 3. صورة سفلية لـ FFI

3. تركيب علبة الـ FFI على سكتين 35 x 7.5 ملم DIN. راجع الرسم 4.

- تركيب سكة DIN العلوية على FFI.
- تركيب سكة DIN السفلية على اللوحة الإلكترونية المعززة.
- وضع FFI على السكة السفلية المركبة على اللوحة الإلكترونية المعززة مع الحرص على أن يكون طرف FFI السفلي موازياً للوحة.
- أدر الجهة العلوية لجهاز FFI حتى يصبح معاكساً للوحة.
- ثبت شريط سكة DIN العلوي على اللوحة.

الجدول 2. أطراف وحدة H1 غير المزودة بالطاقة

تعريف	تسمية	طرف
لا اتصال	NC	1
لا اتصال	NC	2
Fieldbus A	A	3
Fieldbus A	A	4
Fieldbus A	A	5
Fieldbus B	B	6
Fieldbus B	B	7
Fieldbus B	B	8
لا اتصال	NC	9
لا اتصال	NC	10



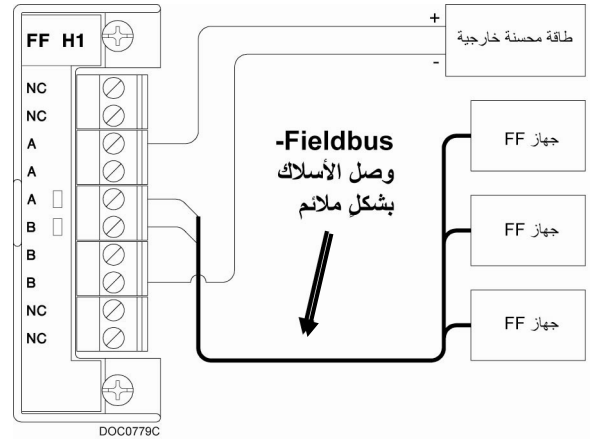
الرسم 5. وصل الأسلاك بوحدة H1 المزودة بالطاقة

الجدول 1 يحدد كل طرف والغرض منه على وحدة H1 المزودة بالطاقة.

الجدول 1. أطراف وحدة H1 المزودة بالطاقة

تعريف	تسمية	طرف
الطاقة المحسنة إيجابية	CP+	1
الطاقة المحسنة سلبية	CP-	2
Fieldbus A	A	3
Fieldbus A	A	4
Fieldbus A	A	5
Fieldbus B	B	6
Fieldbus B	B	7
Fieldbus B	B	8
التيار الزائد مجموع مقترح	منبه+	9
أرض	منبه-	10

استخدم وحدات H1 غير المزودة بالطاقة وموفر طاقة محسنة خارجي مصدق عليه من قبل fieldbus (راجع الرسم 6) عندما لا تكون واثقا من معدل استهلاك الطاقة أو من عدد أجهزة fieldbus.



الرسم 6. وصل الأسلاك بوحدة H1 غير المزودة بالطاقة

الجدول 2 يحدد كل طرف والغرض منه على وحدة H1 غير المزودة بالطاقة.

ملاحظة: يدعم جهاز FFI أربع وحدات H1 كحد أقصى ويمكنك وصل 16 جهاز fieldbus كحد أقصى بكل وحدة. ومع ذلك، يعتمد عدد الأجهزة الفعلي المدعوم على معدل استهلاك كل جهاز للطاقة وعلى نوع كابل الوصل المستخدم.

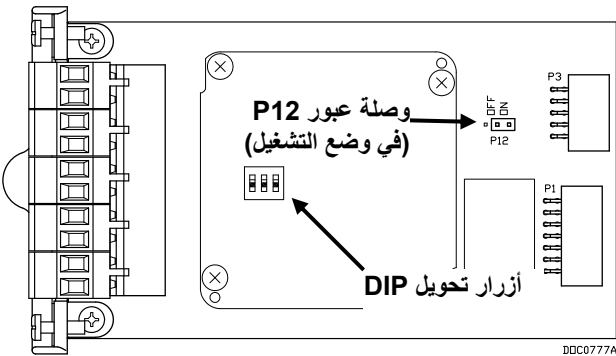
تعطيل محسن الطاقة الموجود على وحدة H1 المزودة بالطاقة

إذا وجدت أن معدل الطاقة الذي توفره وحدة H1 المزودة بالطاقة غير كافٍ لجهازك، فاعمد إلى تعطيل المحسن الموجود على وحدة H1 واستخدام طاقة محسنة خارجية.

ملاحظة: يتوفر هذا الخيار فقط لوحدة H1 المزودة بالطاقة. عليك تعطيل محسن الطاقة الموجود على وحدة H1 المزودة بالطاقة قبل وصل أسلاك الوحدة بالطاقة الخارجية. وإلا قد تتسبب بضرر غير قابل للإصلاح لمحسن طاقة الوحدة.

لتعطيل محسن الطاقة:

1. انزع غطاء قناة الأسلاك.
2. افصل أي سلك عن القطع المتعددة الأطراف.
3. فك البرغيين اللذين يثبتان الوحدة في مكانها.
4. أمسك بإحكام بالجزء البلاستيكي الموجود على طرف الوحدة واسحبها بلطف لتخرجها من الفتحة. قد تحتاج إلى هزّ الوحدة بلطف.
5. ضع الوحدة كما هو مبين في الرسم 7.



الرسم 7. وصلة عبور P12 على وحدة H1 المزودة بالطاقة.

بهدف وصل الأسلاك بأطراف الضغط الموجودة على القطعة القابلة للإزالة والمتوفرة على وحدة المعالجة المركزية:

1. اكشف طرف السلك (6.4 ملم كحد أقصى).

2. أدخل الطرف المكشوف في الرباط الموجود تحت البرغي الخاص به وغير المثبت بإحكام.

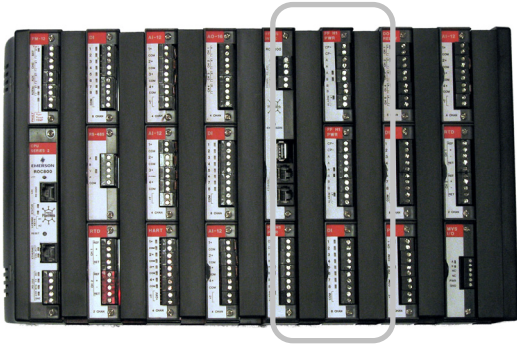
3. ثبت البرغي بإحكام.

يمكنك وصل جهاز FFI إما كجزء لا يتجزأ من ROC827 أو كجهاز مستقل.

ملاحظة: من المحبذ وصل جهاز FFI بـ ROC800 ("وصل متكامل")، كونه يضمن فصل الطاقة عن جهاز FFI عند فصلها عن وحدة المعالجة المركزية الخاصة بـ ROC800.

وصل جهاز FFI كجزء لا يتجزأ من ROC827

أدخل جهاز FFI في علبة ROC827 (كما هو مبين في الرسم 9).



الرسم 9. إدخال جهاز FFI في ROC827

ملاحظة: يدعم ROC827 أربعة ألواح إلكترونية معززة كحد أقصى. وفي حال كان ROC827 يحتوي على أربع لوحات إلكترونية معززة، عليك إزالة لوحة واحدة واستبدالها بجهاز FFI.

يبين الرسم 10 جهاز FFI أثناء تغذيته بالطاقة بواسطة ROC800. قد تستخدم الاتصالات بـ ROC800 والشبكة وصلات إيثرنت على FFI.

6. مرر وحدة العبور الموجودة على P12 من الدبوسين الثاني والثالث (وضع التشغيل) إلى الدبوسين الأول والثاني (وضع إيقاف التشغيل).

ملاحظة: لا تقم بتغيير أو تعديل إعدادات زر التحويل DIP على وحدة H1. تشير أزرار التحويل إلى وضع إيقاف التشغيل بشكل افتراضي.

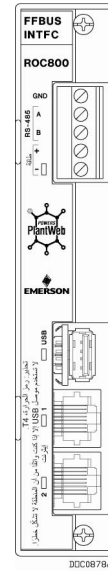
7. قم بمحاذاة الوحدة في الفتحة المخصصة لها في جهاز FFI وأدخلها في العلبة حتى تلامس موصلات الوحدة الموصلات الموجودة على اللوحة الإلكترونية المعززة بشكل آمن.

8. ثبت البراغي بإحكام على الجهة الأمامية من الوحدة.

9. قم بوصل الوحدة.

10. أعد وضع غطاء قناة الأسلاك.

وصل جهاز FFI بوحدة المعالجة المركزية



الرسم 8. أطراف وصل أسلاك وحدة المعالجة المركزية

الجدول 3 يحدد كل طرف والغاية منه على وحدة المعالجة المركزية.

الجدول 3. أطراف وحدات المعالجة المركزية

تعريف	تسمية	طرف
أرض	GND	TB1 - 1
غير مستخدم حالياً	A	TB1 - 2
غير مستخدم حالياً	B	TB1 - 3
إدخال الطاقة إيجابي	+	TB1 - 4
إدخال الطاقة سلبي	-	TB1 - 5
غير مستخدم حالياً	USB	6
منفذ إيثرنت	1	7
منفذ إيثرنت	2	8

وصل جهاز FFI بالأرض

إذا لم تكن شركتك تتميز بالمتطلبات الخاصة بالتأريض، فثبت جهاز FFI على أنه نظام "عائم" (أي غير متصل بالأرض). وإلا، فعليك أن تتبع ممارسات التأريض الخاصة بشركتك. أما إذا كنت تقوم بوصل جهاز متصل بالأرض أساساً بمنفذ FFI EIA-485 (RS-485)، فقم بوصل موثر طاقة FFI بالأرض.

وإذا اضطررت إلى وصل الجهاز بالأرض، فالتزم بالإرشادات التالية:

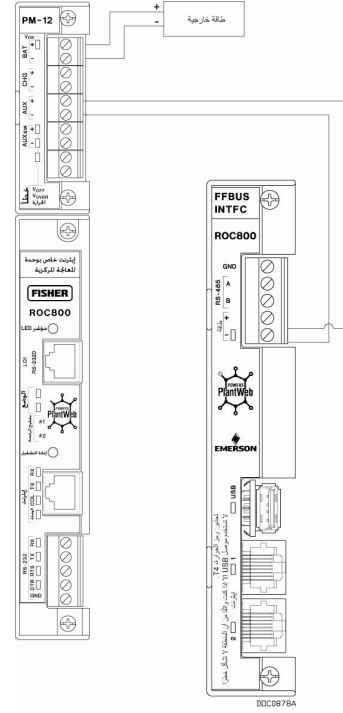
- عندما يستخدم الجهاز مصدر جهد كهربائي بتيار مستمر، يجب أن تكون نقطة انتهاء نظام الوصل بالأرض عند نقطة فصل الخدمة. ينبغي أن توفر الموصلات الأرضية الخاصة بالأجهزة - بما في ذلك، الأسلاك أو الناقلات التي تنقل الموصلات الموفرة للطاقة، مساراً كهربائياً مستمراً حتى نقطة فصل الخدمة.
- غالباً ما تسبب الممارسات غير الملائمة أو السيئة للتأريض مشاكل عديدة، منها إدخال الفتحاحات الأرضية إلى النظام. يساعد وصل جهاز FFI بشكل مناسب بالأرض على الحد من آثار التشويش الكهربائي في تشغيل الوحدة والحماية من الصواعق. قم بتهيئة جهاز حماية من التدفق المفاجئ عند فصل الخدمة على أنظمة مصدر جهد كهربائي بتيار مستمر، بغية حماية الجهاز الذي تم تهيئته من الصواعق والتدفق المفاجئ للطاقة. ويمكنك أيضاً اللجوء إلى جهاز لحماية وحدة اتصالات مودم الطلب الهاتفي من التدفق المفاجئ عبر الهاتف.

قم بالوصل الكهربائي. حدد متطلبات الطاقة المذكورة في الفصل 3 من دليل تعليمات *Foundation Fieldbus Interface* (الطراز A6259).

التحقق من قطبية الاتصال

1. إنشاء الاتصال للتزويد بطاقة التيار المستمر:

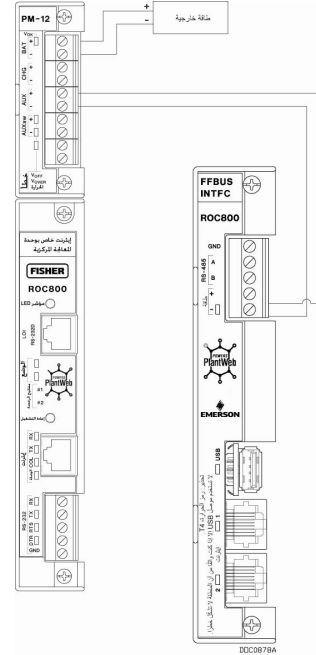
- قم بإجراء النسخ الاحتياطي لبيانات السجل والإعداد، إذا كان الأمر ملائماً.
- ويمكنك اختياريًا تثبيت جهاز حماية من التدفق المفاجئ عند فصل الخدمة.
- افصل كل مصادر الطاقة الأخرى عن ROC800.
- ثبت قاطع تيار عند مصدر طاقة التغذية.
- انزع الموصل المتعلق بقطعة متعددة الأطراف من المقبس.
- ثبت الطرف المكشوف من كل سلك إما برباط موجود تحت برغي BAT+ أو BAT- الملائم (لمصدر التيار المستمر بقوة 12 فولت) أو برباط تحت البرغي الخاص بالطرف + / - الملائم (لمصدر التيار المستمر بقوة 24 فولت).
- **ملاحظة:** ينبغي أن يكون هناك قاطع تيار متصل بالطرف +.
- ثبت بإحكام كل سلك في القطعة متعددة الأطراف. قم بإعادة وصل موصل القطعة متعددة الأطراف في المقبس.
- أعد وصل كل مصادر الطاقة الأخرى بجهاز FFI (إذا لزم الأمر).



الرسم 10. وصل جهاز FFI بالأسلاك بشكل متكامل

وصل جهاز FFI بالأسلاك بشكل مستقل

إذا أردت إعداد جهاز FFI كوحدة مستقلة عن ROC800، فعليك وصله بموفر الطاقة الخاص به. راجع الرسم 11.



الرسم 11. وصل جهاز FFI بالأسلاك بشكل مستقل

2. قم بوصل الأسلاك في القطع متعددة الأطراف الموجودة على وحدات واجهة H1. راجع الفصل 4 من دليل تعليمات Foundation Fieldbus Interface (طراز A6259) الذي يتضمن شروحات ورسومات بيانية حول وصل الأسلاك.

3. اضغط على أغطية قناة الأسلاك حتى تستقر في مكانها فوق قنوات الأسلاك، فور الانتهاء من وصل الأسلاك بالقطع متعددة الأطراف. راجع الرسم 13.

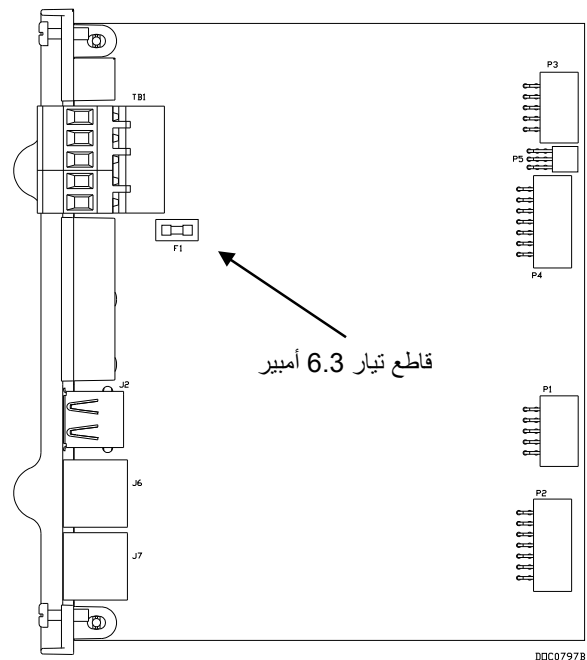
4. زد جهاز FFI بالطاقة لبدء التشغيل. يجب أن يضيء مؤشر LED الخاص بالطاقة على جهاز FFI (راجع الرسم 13) باللون الأخضر ليشير إلى أن الجهد الكهربائي المزود به مناسباً.

5. عندما يتم بدء التشغيل بنجاح، قم بإعداد جهاز FFI ليتلاءم مع متطلبات الجهد الكهربائي. راجع دليل تعليمات Field Interface Configurator (الطراز A6250). خلال التشغيل والاستخدام العاديين، لا يكون هناك من ضرورة لإجراء أي تعديلات خاصة بالمستخدم على الجهاز.

6. للحفاظ على جهاز FFI، اعمد إلى تفحص وصل الأسلاك بشكل دوري للتحقق من عدم وجود ما يدل على تلفها.

استبدال قاطع التيار

إذا كان الخادم لا يعمل بينما كنت تعتقد أنه مشحون بالطاقة وأن مصباح LED الخاص بالطاقة لا يضيء، فقد تحتاج إلى استبدال قاطع التيار 6.3 أمبير الموجود في وحدة المعالجة المركزية (راجع الرسم 12).



الرسم 12. قاطع تيار 6.3 أمبير في وحدة المعالجة المركزية

1. افصل الطاقة عن وحدة المعالجة المركزية الخاصة بالواجهة.

2. قم بإزالة غطاء قناة الأسلاك.

3. افصل كل الأسلاك عن وحدة المعالجة المركزية الخاصة بالواجهة.

4. فك البرغيين الصغيرين الموجودين على الجهة الأمامية لغطاء حماية وحدة المعالجة المركزية.

5. التقط مفاتيح الرفع الموجودة على طرف غطاء حماية وحدة المعالجة المركزية وافصل الوحدة عن المقابس الموجودة على اللوحة الإلكترونية المعززة وارفعها بلطف. تأكد من أن الوحدة قد انفصلت عن اللوحة الإلكترونية المعززة.

6. قم بإخراج وحدة المعالجة المركزية بعناية من الغلاف الخارجي للواجهة. واحرص على عدم ملامسة أي جهة من الوحدة للغلاف الخارجي لكي لا تتعرض لأي خدش. تأكد من عدم فصل أي كابلات موصولة بالواجهة.

7. اعمد إلى فحص قاطع التيار (راجع الرسم 12) وإذا لزم الأمر، استبدله بقاطع تيار خاص بلوحة التوزيع الرئيسية SB 6.3 أمبير (Slo-Bio).

8. ضع وحدة المعالجة المركزية في القناة الخاصة بها على الغلاف الخارجي.

9. مرر وحدة المعالجة المركزية إلى الأسفل حتى تتصل بالموصلات الخاصة بها على اللوحة الإلكترونية المعززة.

10. تثبت بإحكام البرغيين الصغيرين الموجودين على الجهة الأمامية لغطاء حماية وحدة المعالجة المركزية.

11. أعد وصل كل الأسلاك.

12. أعد غطاء قناة الأسلاك إلى مكانه.

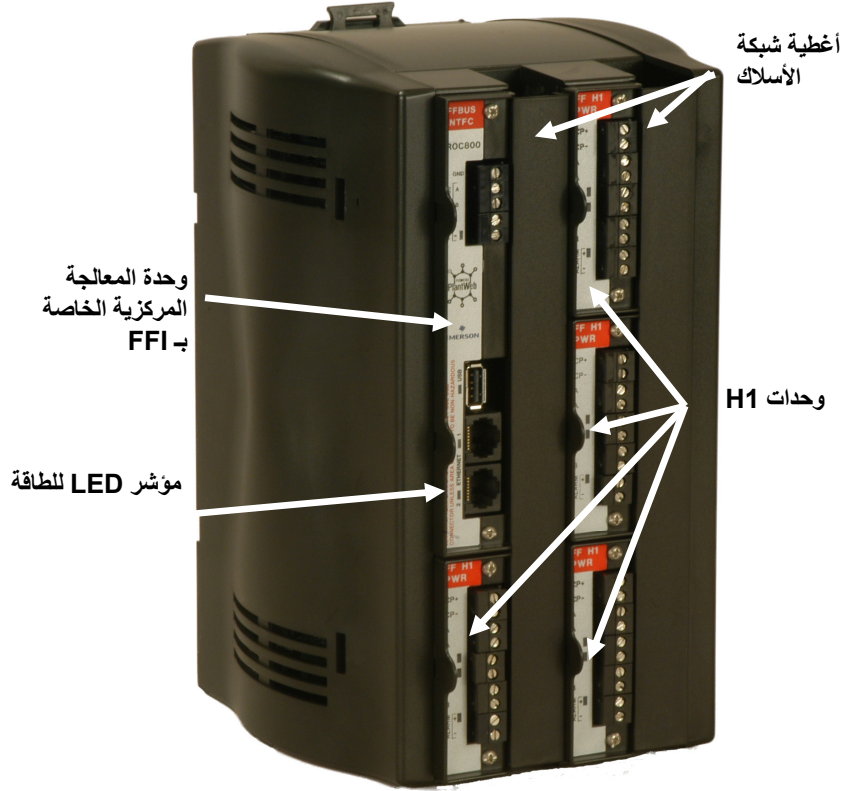
13. أعد وصل وحدة المعالجة المركزية بالطاقة.

تفكيك FFI

1. قم بإجراء النسخ الاحتياطي لكل بيانات الإعداد والسجل من FFI. ثم افصل الطاقة عن FFI بالإضافة إلى كل الوصلات الخارجية من وحدات H1.

2. وافصل الغلاف الخارجي لجهاز FFI عن سكتي DIN من خلال تحرير وصلتي السكة DIN من أعلى الجهة الخلفية للغلاف الخارجي.

3. ضع FFI في علبة للشحن أو التخزين.



الرسم 13. FOUNDATION Fieldbus Interface

Remote Automation Solutions (RAS) Automation Solutions، وهي تشكل جزءاً من FloBoss، Emerson Process Management، Bristol و Bristol Babcock Ltd. و Bristol Canada و BBI SA de CV و Flow Computer Division هي شركات تابعة بالكامل لشركة Emerson Electric Co. التي تعمل باسم Remote Automation Solutions (RAS) Automation Solutions، وهي تشكل جزءاً من FloBoss، Emerson Process Management، Bristol و Bristol Babcock و Helicoid و TeleFlow و ControlWave و Emerson Electric Co. هي علامة تجارية وعلامة خدمة لشركة Emerson Electric Co. كل العلامات التجارية تابعة لشركة AMS. PlantWeb و شعار RAS. PlantWeb و شعار RAS. AMS. الأخرى تعود ملكيتها للمالكين المعنيين.

تهدف محتويات هذا المنشور إلى توفير المعلومات فقط. يرجى عدم اعتبار المعلومات الواردة هنا بمثابة كفاءة أو ضمان صريحة أو ضمنية في ما يتعلق بالمنتجات أو الخدمات المذكورة هنا أو بطريقة استخدامها أو قابلية استخدامها، ذلك مع العلم أن جهوداً كبيرة بُذلت في سبيل تأمين دقة المعلومات. تحتفظ شركة RAS بحقها في تعديل أو تحسين التصميم أو المواصفات الخاصة بهذه المنتجات في أي وقت وبدون إشعار مسبق. تخضع عمليات البيع كلها لأحكام وشروط شركة RAS المتوفرة عند الطلب. لا تتحمل شركة RAS أي مسؤولية تجاه اختيار أي منتج أو استخدامه أو صيانتته. تقع مسؤولية حسن الاختيار والاستخدام والصيانة لأي منتج من RAS على المشتري والمستخدم النهائي بشكل حصري.

FOUNDATION™ Fieldbus Interface (serie ROC800)



Figura 1. FOUNDATION Fieldbus Interface - Etichetta

Utilizzare questo documento delle istruzioni per la sicurezza d'uso insieme al *Manuale di istruzioni di FOUNDATION Fieldbus Interface* (Modulo A6259). Per informazioni dettagliate su avvisi, descrizioni dell'installazione e procedure di risoluzione dei problemi, fare riferimento a questo manuale. Per ricevere una formazione specifica per questo prodotto, contattare l'ufficio vendite locale.

Il prodotto Foundation Fieldbus Interface (o "FFI") con approvazione ATEX può essere ordinato con i moduli di segmentazione H1 descritti nel documento per le specifiche tecniche *FOUNDATION Fieldbus Interface (serie ROC800)* (ROC800:FFI).

FFI - Condizioni speciali di uso in sicurezza

- Installare l'apparecchiatura in un alloggiamento IP54 o migliore oppure in un luogo equivalente. Qualsiasi alloggiamento deve essere certificato in modo adeguato o essere approvato per l'uso nella propria area geografica (Zona 2).
- L'utente deve assicurarsi che la tensione nominale in ingresso non venga superata durante l'uso.

Dichiarazione di conformità

Remote Automation Solutions dichiara che i prodotti Foundation Fieldbus Interface sono conformi ai requisiti essenziali e ad altre normative previste dalle direttive dell'Unione Europea 2004/108/EC (EMC) e 1994/9/EC (ATEX).



ATTENZIONE

Se si installano le unità in un'area pericolosa, assicurarsi che tutti i componenti da installare dispongano dell'etichetta che ne certifica l'utilizzo in tali aree. L'installazione e la manutenzione devono essere eseguite solo se si ha la certezza che l'area non è pericolosa. L'installazione e la manutenzione in un'area pericolosa potrebbero causare lesioni personali o danni all'apparecchiatura.

Spegnere sempre Foundation Fieldbus Interface prima di provare a collegare qualsiasi tipo di cablaggio. Il cablaggio di apparecchiature alimentate potrebbe causare lesioni personali o danni all'apparecchiatura.

Per evitare di danneggiare i circuiti durante gli interventi all'interno dell'unità, utilizzare le necessarie precauzioni contro le scariche elettrostatiche, ad esempio indossare un braccialetto antistatico.



ATTENZIONE

Controllare la polarità dell'alimentazione in ingresso prima di collegare Foundation Fieldbus Interface a una presa di corrente.

Per l'installazione, la manutenzione e la risoluzione dei problemi sono necessari i seguenti strumenti:

- PC con Microsoft® Windows® 2000 (con Service Pack 2), Windows XP o Windows Vista.
- Software di configurazione ROCLINK™ 800.
- Cacciavite con punta a stella.
- Cacciavite con punta piatta.

Specifiche CPU

ALIMENTAZIONE (CPU)

3,56 W a 24 V CC (tensione in ingresso da 10 a 30 V CC).

MATERIALI

Cabinet: plastica in ABS (acrilonitrile butadiene stirene).

Coperchi delle canalette dei cavi: plastica in polipropilene.

Moduli: poliestere termoplastico resistente ai solventi.

SPECIFICHE AMBIENTALI

Temp. operativa: da -40° a +75°C.

Temp. di stoccaggio: da -40° a +85°C.

Umidità relativa: IEC68-2-3; 5-95% senza condensa.

Vibrazioni: IEC68-2-6; 0,15 mm o 20 m/sec²

Sollecitazioni meccaniche: IEC68-2-27; 11 millisecondi, 50G sinusoidali se non in funzione, 15 G in funzione

Sollecitazioni termiche: IEC68-2-14; aria-aria da -20° a 85°C

PESO

Cabinet, scheda madre e CPU: 1,65 kg

Specifiche modulo H1

ALIMENTAZIONE (CPU)

1,18 W (dal condizionatore di corrente interno o da un'alimentazione esterna)

PROTEZIONE DA SOVRATENSIONE

± 36 V CC, connessioni Fieldbus
+ 28 V CC, connessioni di allarme

USCITA DI ALIMENTAZIONE CONDIZIONATA

Da 18 a 24 V CC; 125 mA max.; indicazione di guasto da sovratensione a 150 mA

TERMINATORE

Modulo H1 con opzione di alimentazione condizionata: 100 Ω 1%, 1 uF, 50 V.

IMPEDENZA MODULO DI SEGMENTAZIONE

Conforme agli standard FF

PESO

100 g

Specifiche comuni

APPROVAZIONI

Conforme ai seguenti standard dell'Unione Europea (EMC):

EN55011 (emissioni).

EN61000-4-2 (immunità alle scariche elettrostatiche).

EN61000-4-3 (immunità ai campi elettromagnetici).

EN61000-4-4 (immunità ai transitori elettrici veloci).

EN61000-4-6 (immunità condotta).

Nota: conforme al Criterio B delle prestazioni per l'immunità

Conforme ai seguenti standard dell'Unione Europea (ATEX):

EN50014 (1997) +A1 +A2.

EN60079-15 (2003).

Certificato da Sira come Modello W40203.

Indicazioni di prodotto per luoghi pericolosi:

EEx nA IIC T4 – Da 40°C ≤ T_{amb} a ≤ +75°C)



Il 3 G. Cert. N. Sira 05ATEX4046X

MONTAGGIO DELL'FFI

È possibile montare l'FFI come unità a parte o all'interno di un ROC827. Il ROC827 supporta massimo **quattro** schede madri. Se il ROC827 contiene già quattro schede madri, occorre rimuoverne una e sostituirla con l'FFI.

1. L'FFI viene consegnato nell'apposita confezione. Rimuovere l'unità dalla confezione. La CPU e i moduli H1 sono già installati.
2. Trovare un luogo adatto dove posizionare l'FFI. Installare sempre l'FFI in un alloggiamento fornito dall'utente, in quanto l'unità deve essere protetta dall'esposizione diretta a pioggia, neve, ghiaccio, polveri o detriti e agenti corrosivi. Se si installa l'FFI fuori di un edificio, posizionare l'unità in un alloggiamento IP54 o migliore.

Nota: Sigillare qualsiasi foro che si pratica nell'alloggiamento per garantire la conformità dello standard IP54.

Quando si sceglie l'alloggiamento, controllare con attenzione gli spazi per l'installazione. Deve essere disponibile spazio sufficiente per i cablaggi e gli interventi di assistenza. Vedere la *Figura 2* e la *Figura 3*.

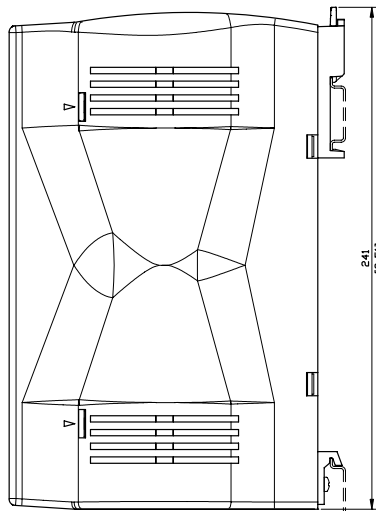


Figura 2. Vista laterale dell'FFI

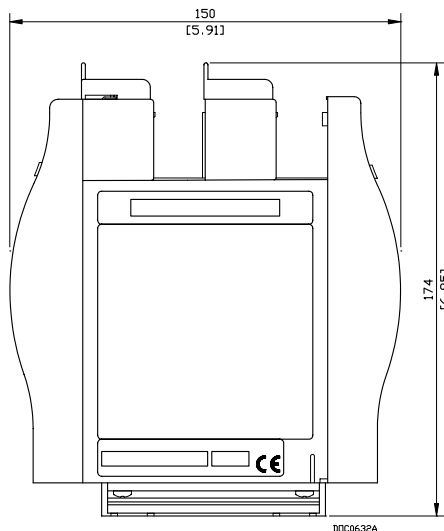


Figura 3. Vista del lato inferiore dell'FFI

3. Il cabinet dell'FFI va montato su due guide DIN da 35 x 7,5 mm. Vedere *Figura 4*.

- Montare le guide DIN superiori sull'FFI.
- Montare le guide DIN inferiori sulla scheda madre.
- Poggiare l'FFI sopra la guida inferiore montata sulla scheda madre, assicurandosi che il bordo inferiore dell'FFI sia a filo con il pannello.
- Girare la parte superiore dell'FFI finché non è a filo con il pannello.
- Fissare la striscia superiore della guida DIN al pannello.

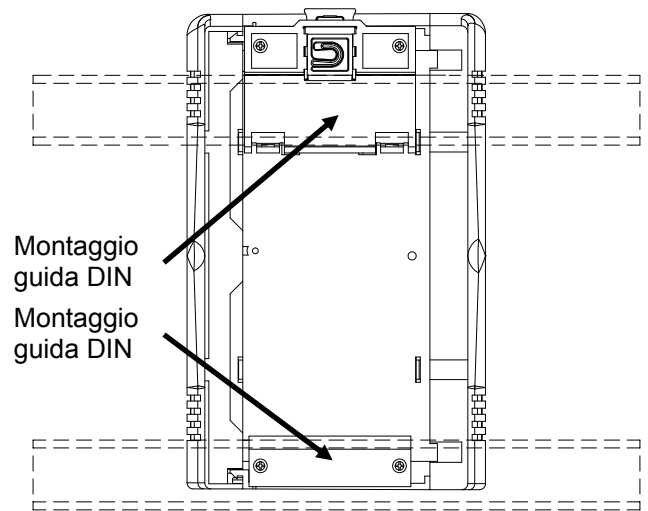


Figura 4. Retro dell'FFI

CABLAGGIO DEI COMPONENTI DELL'FFI

Il cablaggio dell'FFI prevede la connessione dei dispositivi Fieldbus ai moduli H1, il cablaggio dei moduli H1 all'alimentazione esterna (se necessario) e il cablaggio del modulo CPU dell'FFI al ROC o all'alimentazione esterna. Ai fini di questo documento, si consiglia di cablare prima i dispositivi Fieldbus ai moduli H1, quindi cablare l'FFI al ROC (o all'alimentazione esterna) prima di alimentare l'unità.

Nota: I moduli dispongono di morsettiere rimovibili per facilitare le operazioni di cablaggio e assistenza. Si consiglia di utilizzare un cavo intrecciato a due fili per il cablaggio del segnale I/O. Le morsettiere rimovibili accettano fili 12-22 AWG.

Cablaggio dei moduli di segmentazione H1

Per collegare il modulo H1 PWR o H1 (non alimentato):

1. Spelare il capo del filo di 6,4 mm al massimo.
2. Inserire il capo spelato nel fermo sotto la vite di blocco.
3. Stringere la vite. Vedere la *Figura 5* o la *Figura 6*.

Esporre una piccola parte del filo spelato per evitare cortocircuiti, ma lasciare un po' di gioco quando si effettuano le connessioni per evitare che il filo sia troppo teso.

L'FFI supporta fino a quattro moduli di segmentazione H1 di due tipi. I moduli alimentati (vedere la *Figura 5*) forniscono un'alimentazione condizionata di massimo 125 mA.

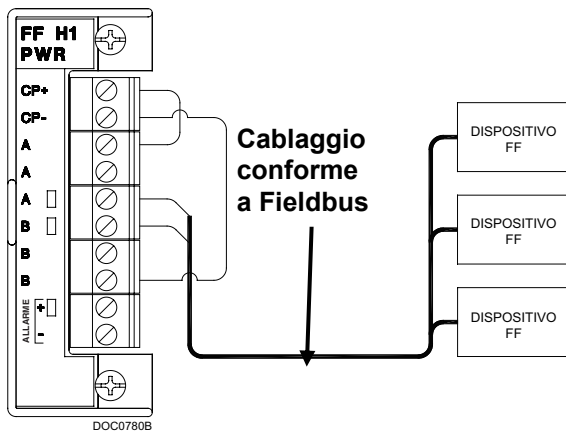


Figura 5. Cablaggio per il modulo H1 alimentato

La tabella 1 identifica ogni terminale e il rispettivo scopo sul modulo H1 alimentato.

Tabella 1. Terminali del modulo H1 alimentato

Terminale	Etichetta	Definizione
1	CP+	Alimentazione condizionata positiva
2	CP-	Alimentazione condizionata negativa
3	A	Fieldbus A
4	A	Fieldbus A
5	A	Fieldbus A
6	B	Fieldbus B
7	B	Fieldbus B
8	B	Fieldbus B
9	Allarme+	Collettore aperto in sovratensione
10	Allarme-	Massa

Utilizzare moduli H1 non alimentati e un'alimentazione condizionata esterna approvata per Fieldbus (vedere la Figura 6) se non si è sicuri del consumo di corrente o del numero di dispositivi Fieldbus.

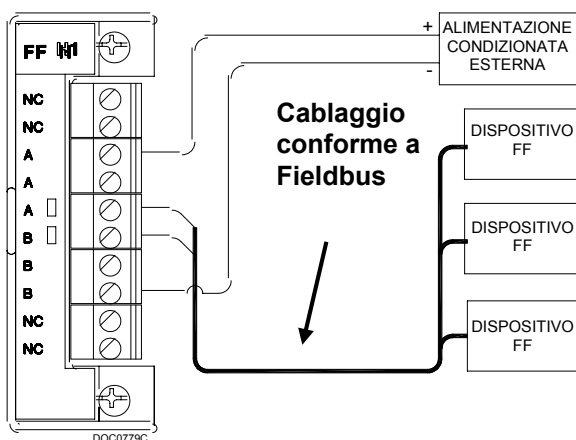


Figura 6. Cablaggio per il modulo H1 non alimentato

La tabella 2 identifica ogni terminale e il rispettivo scopo sul modulo H1 non alimentato.

Tabella 2. Terminali del modulo H1 non alimentato

Terminale	Etichetta	Definizione
1	NC	Senza collegamento
2	NC	Senza collegamento
3	A	Fieldbus A
4	A	Fieldbus A
5	A	Fieldbus A
6	B	Fieldbus B
7	B	Fieldbus B
8	B	Fieldbus B
9	NC	Senza collegamento
10	NC	Senza collegamento

Nota: L'FFI supporta fino a quattro moduli H1, a ognuno dei quali è possibile collegare fino a 16 dispositivi Fieldbus. Tuttavia, il numero effettivo di dispositivi supportati dipende dal consumo energetico di ogni dispositivo e dal tipo di cavo di collegamento in uso.

Disattivazione del condizionatore di corrente su un modulo H1 PWR

Se si determina che la quantità di energia fornita dal modulo H1 PWR è insufficiente per il dispositivo, è possibile disattivare il condizionatore di corrente sul modulo H1 e utilizzarne uno esterno.

Nota: Questa opzione è disponibile **solo** per un modulo H1 PWR. È **obbligatorio** disattivare il condizionatore di corrente sul modulo H1 PWR prima di cablare il modulo all'alimentazione esterna. In caso contrario, il condizionatore di corrente potrebbe venire danneggiato in modo irreparabile.

Per disattivare il condizionatore di corrente:

1. Rimuovere il coperchio delle canalette dei cavi.
2. Scollegare qualsiasi cablaggio con le morsettiere.
3. Svitare le due viti prigioniere che fissano il modulo.
4. Afferrare saldamente la linguetta di plastica sul bordo del modulo ed estrarlo dallo slot senza forzare. Potrebbe essere necessario muovere delicatamente a destra e a sinistra il modulo.
5. Posizionare il modulo come indicato nella Figura 7.

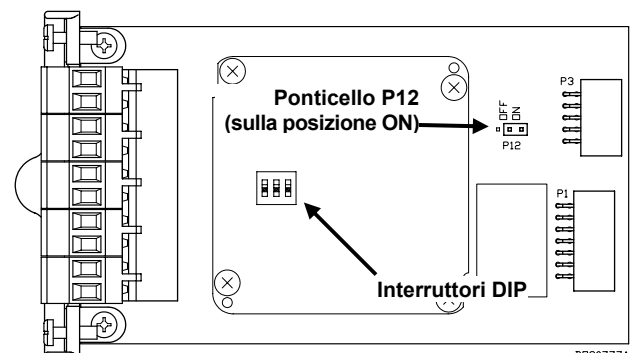


Figura 7. Ponticello P12 sul modulo H1 PWR

6. Spostare il ponticello P12 dal secondo e terzo pin (ON) al primo e secondo pin (OFF).

Nota: Non modificare né cambiare le impostazioni degli interruttori DIP sul modulo H1. Gli interruttori sono impostati già su OFF.

7. Allineare il modulo nel rispettivo slot all'interno dell'FFI e farlo scorrere nel cabinet finché i connettori del modulo non sono saldamente a contatto con quelli della scheda madre.
8. Stringere le viti prigioniere sulla parte anteriore del modulo.
9. Cablare il modulo.
10. Riposizionare il coperchio delle canalette dei cavi.

Cablaggio del modulo CPU dell'FFI

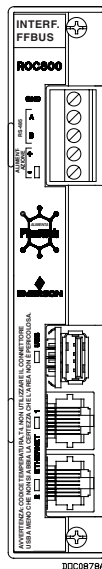


Figura 8. Terminali di cablaggio del modulo CPU

La *tabella 3* identifica ogni terminale e il rispettivo scopo sul modulo CPU.

Tabella 3. Terminali del modulo CPU

Terminale	Etichetta	Definizione
TB1 – 1	MASSA	Massa
TB1 – 2	A	Non utilizzato al momento.
TB1 – 3	B	Non utilizzato al momento.
TB1 – 4	+	Ingresso positivo alimentazione
TB1 – 5	-	Ingresso negativo alimentazione
6	USB	Non utilizzato al momento.
7	1	Porta Ethernet
8	2	Porta Ethernet

Per collegare i cablaggi ai terminali a compressione rimovibili del modulo CPU:

1. Spelare il capo del filo di 6,4 mm al massimo.
2. Inserire il capo spelato nel fermo sotto la vite di blocco allentata.
3. Stringere la vite.

È possibile montare l'FFI come unità a parte o all'interno di un ROC827.

Nota: Cablare l'FFI al ROC800 ("cablaggio integrale") è il metodo ideale poiché garantisce che, se la CPU del ROC800 non viene alimentata, anche l'FFI non viene alimentato.

Cablaggio integrale dell'FFI a un ROC827

Inserire l'FFI nel cabinet del ROC827 (come indicato nella *Figura 9*).

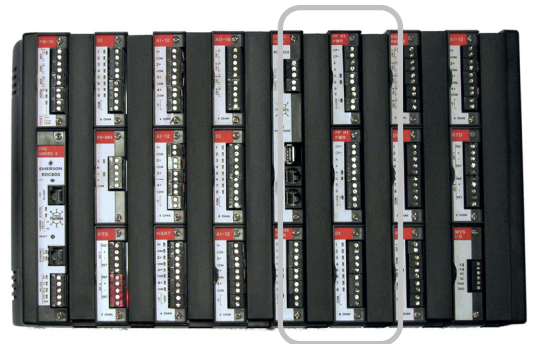


Figura 9. FFI inserito nel ROC827

Nota: Il ROC827 supporta massimo **quattro** schede madri. Se il ROC827 contiene già quattro schede madri, occorre rimuoverne una e sostituirla con l'FFI.

La *Figura 10* mostra un'unità FFI che assorbe corrente da un ROC800. Le comunicazioni con il ROC800 e la rete vengono effettuate mediante i collegamenti Ethernet sull'FFI.

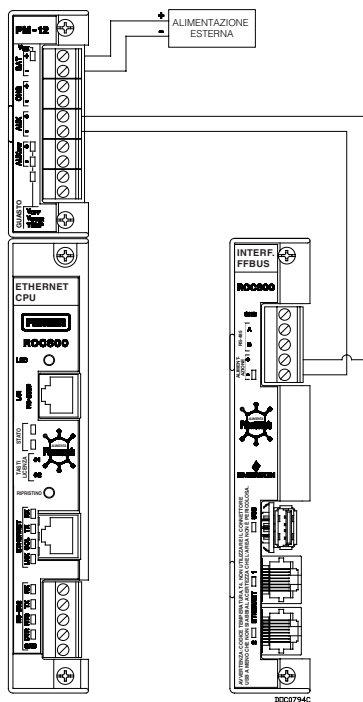


Figura 10. Cablaggio integrale dell'FFI

Cablaggio dell'FFI come dispositivo a parte

Se si sceglie di configurare l'FFI come unità indipendente, separata da un ROC800, occorre cablare l'FFI alla propria alimentazione. Vedere la Figura 11.

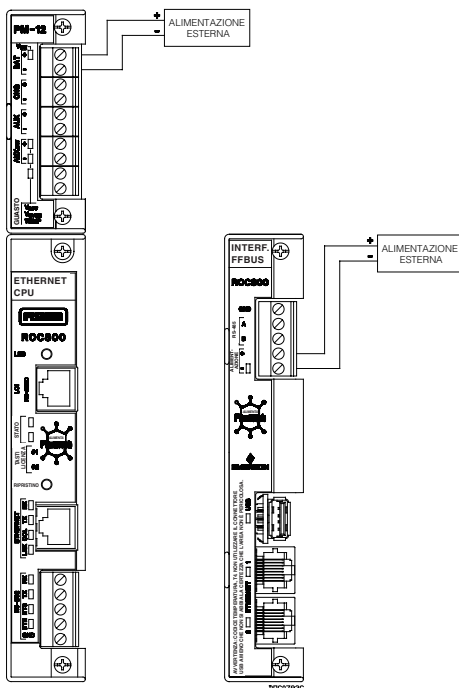


Figura 11. Cablaggio indipendente dell'FFI

MESSA A TERRA DELL'FFI

Se la propria azienda non segue requisiti specifici per la messa a terra, installare l'FFI come apparecchiatura "flottante", ovvero non collegata a terra. In caso contrario, seguire le direttive aziendali per la messa a terra. Se, tuttavia, si sta collegando un dispositivo con messa a terra a una porta EIA-485 (RS-485) dell'FFI, è **obbligatorio** mettere a terra l'alimentazione dell'FFI.

Attenersi alle seguenti linee guida se è necessario mettere a terra l'apparecchiatura:

- Se l'apparecchiatura utilizza una sorgente di tensione CC, il sistema di messa a terra deve terminare alla disconnessione del servizio. Tutti i conduttori di messa a terra dell'apparecchiatura, inclusi i fili o i condotti che alimentano i conduttori, devono fornire un segnale elettrico non interrotto nel punto di disconnessione del servizio.
- Una messa a terra inadeguata o non effettuata correttamente può causare spesso inconvenienti come la presenza di ritorni a terra nel sistema. Una messa a terra corretta dell'FFI consente di ridurre gli effetti dei disturbi elettrici durante l'uso dell'unità e la protegge da fulmini e sovratensioni. Installare un dispositivo di protezione da sovratensioni nel punto di disconnessione del servizio sui sistemi della sorgente di tensione CC per proteggere l'apparecchiatura installata da fulmini e sovratensioni. Può essere utile anche installare un sistema di protezione da picchi telefonici per il modulo di comunicazione del modem con accesso remoto.

Collegare i cavi di alimentazione. Stabilire quali siano i requisiti elettrici secondo quanto descritto nel *Capitolo 3 del Manuale di istruzioni di Foundation Fieldbus Interface* (Modulo A6259).

Verifica della polarità delle connessioni

1. Per stabilire le connessioni per l'alimentazione CC:
 - Eseguire il backup dei dati di configurazione e di log, se necessario.
 - Installare, facoltativamente, un dispositivo di protezione da sovratensioni nel punto di disconnessione del servizio.
 - Scollegare tutte le altre sorgenti di alimentazione dal ROC800.
 - Installare un fusibile sulla fonte di alimentazione in ingresso.
 - Rimuovere il connettore della morsetteria dalla presa.
 - Inserire il capo spelato di ogni filo nel fermo sotto la rispettiva vite di blocco BAT+ / BAT- (per una sorgente CC a 12 Volt) **OPPURE** nel fermo sotto la rispettiva vite di blocco + / - (per una sorgente CC a 24 Volt).

Nota: Anche il terminale + deve avere un fusibile.

- Avvitare ogni filo nella morsettiera. Riposizionare il connettore della morsettiera nella presa.
 - Ricollegare tutte le altre sorgenti di alimentazione (se necessario) all'FFI.
2. Collegare i cablaggi alle morsettiere sui moduli di interfaccia H1. Vedere il *Capitolo 4 del Manuale di istruzioni di Foundation Fieldbus Interface* (Modulo A6259) per lo schema e le spiegazioni dei cablaggi.
 3. Riposizionare i coperchi sopra le canalette dei cavi al termine del cablaggio delle morsettiere. Vedere la *Figura 13*.
 4. Alimentare l'FFI per accendere l'unità. Il LED di alimentazione dell'FFI (vedere la *Figura 13*) dovrebbe diventare di colore verde a indicare che la tensione applicata è corretta.
 5. Una volta avviata l'unità, configurare l'FFI in modo che sia conforme ai requisiti di applicazione. Fare riferimento al *Manuale di configurazione dell'interfaccia* (Modulo A6250). Durante il normale uso dell'unità non occorre apportare modifiche al dispositivo.
 6. Per una corretta manutenzione dell'FFI, controllare periodicamente se i cablaggi mostrano segni di deterioramento.

Sostituzione del fusibile

Se il server non funziona ma si ritiene che sia alimentato correttamente e il LED di alimentazione non è acceso, potrebbe essere necessario sostituire il fusibile da 6,3 A sul modulo CPU (vedere la *Figura 12*).

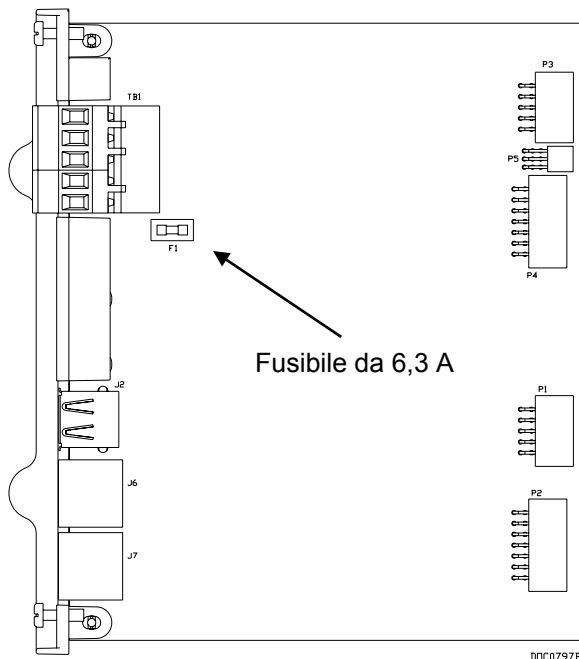


Figura 12. Fusibile da 6,3 A della CPU

1. Scollegare l'alimentazione dal modulo CPU dell'interfaccia.
2. Rimuovere il coperchio delle canalette dei cavi.
3. Scollegare tutti i cablaggi dal modulo CPU dell'interfaccia.
4. Svitare le due piccole viti di blocco sulla parte anteriore della piastra frontale del modulo CPU.
5. Afferrare le linguette sul bordo della piastra frontale del modulo CPU e sollevare con delicatezza il modulo CPU estraendolo dalle prese sulla scheda madre. Si dovrebbe avvertire il distacco del modulo dalla scheda madre.
6. Rimuovere con cautela il modulo CPU dall'alloggiamento dell'interfaccia. Evitare di scalfire i lati della CPU sfregandola contro l'alloggiamento. Fare attenzione a non tirare i cavi collegati all'interfaccia.
7. Controllare il fusibile (vedere la *Figura 12*) e, se necessario, sostituirlo con un fusibile SB (Slo-Blo) da 6,3 A MSB.
8. Posizionare il modulo CPU nella rispettiva canaletta nell'alloggiamento.
9. Far scorrere il modulo CPU verso il basso, inserendolo nei rispettivi connettori sulla scheda madre.
10. Avvitare le due piccole viti di blocco sulla parte anteriore della piastra frontale del modulo CPU.
11. Ricollegare tutti i cablaggi.
12. Riposizionare il coperchio delle canalette dei cavi.
13. Alimentare di nuovo il modulo CPU.

SMONTAGGIO DELL'FFI

1. Eseguire il backup di tutti i dati di configurazione e di log dell'FFI. Scollegare l'alimentazione dall'FFI e rimuovere i cablaggi esterni dai moduli H1.
2. Togliere il cabinet dell'FFI dalle guide DIN sbloccando i fermi delle due guide DIN sopra la parte posteriore dell'alloggiamento.
3. Mettere l'FFI in una scatola per la spedizione o lo stoccaggio.

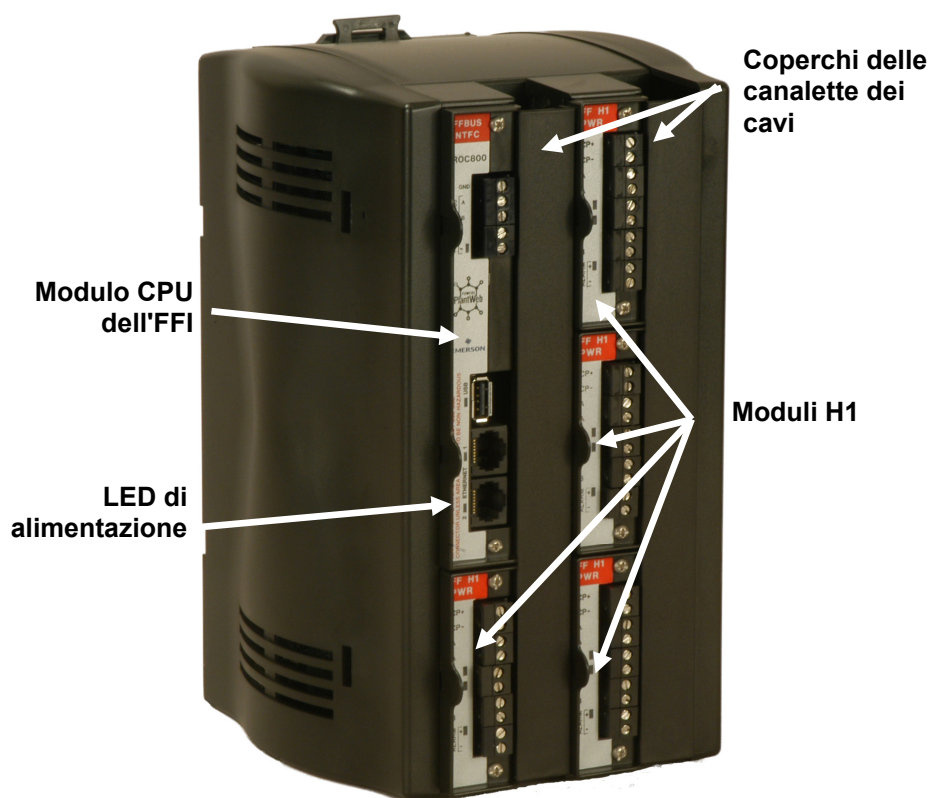


Figura 13. FOUNDATION Fieldbus Interface

Bristol, Inc., Bristol Babcock Ltd, Bristol Canada, BBI SA de CV e Flow Computer Division sono affiliate di proprietà di Emerson Electric Co. che operano come Remote Automation Solutions ("RAS"), una divisione di Emerson Process Management. FloBoss, ROCLINK, Bristol, Bristol Babcock, ControlWave, TeleFlow e Helicoid sono marchi registrati di RAS. AMS, PlantWeb e il logo PlantWeb sono marchi di Emerson Electric Co. Il logo Emerson è un marchio registrato e di servizio di Emerson Electric Co. Tutti gli altri marchi sono di proprietà dei rispettivi proprietari.

I contenuti di questa pubblicazione sono presentati solo a scopo informativo. Anche se è stato compiuto ogni sforzo per garantire la precisione delle informazioni, queste non costituiscono alcuna garanzia, esplicita o implicita, riguardo ai prodotti o i servizi descritti o il rispettivo uso o applicazione. RAS si riserva il diritto di modificare o integrare i progetti o le specifiche di tali prodotti in qualsiasi momento e senza preavviso. La vendita di qualsiasi prodotto è regolata dai termini e dalle condizioni di RAS, disponibili su richiesta. RAS non si assume alcuna responsabilità per la selezione, l'uso o la manutenzione dei prodotti. La selezione, l'uso e la manutenzione corretta dei prodotti RAS è responsabilità esclusiva dell'acquirente e dell'utente finale.

Emerson Process Management

Remote Automation Solutions

Marshalltown, IA 50158 U.S.A.

Houston, TX 77065 U.S.A.

Pickering, North Yorkshire UK Y018 7JA

© 2011 Remote Automation Solutions, divisione di Emerson Process Management. Tutti i diritti riservati.

FOUNDATION™ veldbusinterface (ROC800-serie)

<p>MODEL W40203</p> <p>VOEDING: 10 T/M 30 V DC</p> <p>NOMINAAL VERMOGEN: MAXIMAAL 42 WATT</p> <p>GEbruIKSTEMPERATUURBEREIK: -40 T/M +75 °C</p> <p>Sira 05ATEX4046X</p> <p>EEx nA IIC T4, -40 °C Tomg +75 °C</p> <p></p> <p>MOET WORDEN GEÏNSTALLEERD IN EEN IP54 OF BETERE BEHUIZING OF SOORTGELIJKE LOCATIE. RAADPLEEG DE INSTRUCTIES VOOR VEILIG GEbruIK A6296 VOOR AANVULLENDE SPECIALE OMSTANDIGHEDEN VOOR VEILIG GEbruIK EN SPECIFIEKE INSTALLATIE-INSTRUCTIES VERVANGENDE ZEKERING: 6,3 A TYPE SLO-BLO</p> <p>WAARSCHUWING: EXPLOSIEGEVAAR – NIET AANSLUITEN/ONTKOPPELEN TERWIJL CIRCUIT ONDER SPANNING STAAT, TENZIJK BEKEND IS DAT GEBIED NIET GEVAARLIJK IS.</p> <p>AMERIKAANSE PATENTEN 6.771.513, 6.542.832 EN 6.912.483</p> <p>W11361X0012</p> <p></p>
--

DDC0888B

Afbeelding 1. Typeplaatje FOUNDATION veldbusinterface

Dit document met instructies voor veilig gebruik is bedoeld als aanvulling op de Handleiding voor de FOUNDATION veldbusinterface (document A6259). Alle aandachtspunten en omschrijvingen met betrekking tot de installatie en het verhelpen van storingen vindt u in deze handleiding. Als u voor dit product scholing nodig hebt, neem dan contact op met het plaatselijke verkoopkantoor.

U kunt de Foundation veldbusinterface (of "FFI") met ATEX-certificering bestellen bij de H1-segmentmodules die worden beschreven in de technische specificatie FOUNDATION veldbusinterface (ROC800-serie) (ROC800:FFI).

Speciale voorwaarden voor veilig gebruik van de FFI

- Het apparaat dient in een IP54 of betere behuizing of soortgelijke locatie geïnstalleerd te worden. De behuizing dient van het juiste certificaat voorzien of anderszins goedgekeurd te zijn voor de gebruikszone (zone 2).
- De gebruiker dient ervoor te zorgen dat de gespecificeerde ingangsspanning tijdens bedrijf niet overschreden zal worden.

Conformiteitsverklaring

Remote Automation Solutions verklaart hierbij dat de Foundation veldbusinterface voldoet aan de essentiële vereisten en overige relevante bepalingen van de Europese richtlijnen 2004/108/EG (EMC) en 1994/9/EG (ATEX).

VOORZICHTIG

Controleer, als het apparaat in een gevaarlijke omgeving wordt geïnstalleerd, of alle voor de installatie gebruikte onderdelen geschikt zijn voor gebruik in een dergelijke omgeving. Installatie en onderhoud mogen alleen plaatsvinden als de omgeving daarvoor geen gevaar oplevert. Installatie of onderhoud in een gevaarlijke omgeving kan leiden tot persoonlijk letsel of materiële schade.

Schakel altijd eerst de voeding naar de Foundation veldbusinterface uit voordat u werkzaamheden aan de bekabeling gaat uitvoeren. Als de voeding van het apparaat tijdens werkzaamheden aan de bekabeling ingeschakeld blijft, kan dit tot lichamelijk letsel of schade aan het apparaat leiden.

Neem bij werkzaamheden binnen in het apparaat afdoende maatregelen om schade aan de schakelingen in het apparaat door elektrostatische ontladingen te voorkomen, zoals het dragen van een geaarde polsband.

VOORZICHTIG

Controleer de polariteit van de voedingsspanning voordat u de voeding op de Foundation veldbusinterface aansluit.

Voor het installeren, uitvoeren van onderhoud en verhelpen van storingen aan het apparaat zijn de volgende gereedschappen nodig:

Personal computer met Microsoft® Windows® 2000 (met Service Pack 2), Windows XP of Windows Vista.

ROCLINK™ 800 configuratiesoftware.

Kruiskopschroevendraaier.

Rechte schroevendraaier.

Specificaties centrale verwerkingseenheid (CPU)

VOEDING (CPU)

3,56 W bij 24 V DC (toevoer ingang 10 t/m 30 V DC).

MATERIALEN

Huis: acrylnitril-butadiëen-styreen (ABS).

Deksel van kabelgoten: polypropyleen.

Modules: thermoplastisch polyester, bestand tegen oplosmiddelen

OMGEVING

Bedrijfstemperatuur: -40° t/m +75°C.

Opslagtemperatuur: -40° t/m +85°C.

Relatieve luchtvochtigheid: IEC68-2-3; 5-95% niet-condenserend.

Trillingen: IEC68-2-6; 0,15 mm of 20 m/sec²

Mechanische schokken: IEC68-2-27; 11 milliseconden, sinusvormig 50 Gs indien niet in werking, 15 Gs indien in werking

Thermische schokken: IEC68-2-14; lucht-lucht vanaf -20° t/m 85°C

GEWICHT

Huis, moederkaart en CPU: 1,65 kg

Specificaties H1-module

VOEDING (CPU)

1,18 W (van interne voedingsconditioner of externe voeding)

BEVEILIGING TEGEN STROOMPIEKEN

± 36 V DC, veldbusaansluitingen

+ 28 V DC, alarmaansluitingen

GECONDITIONEERD UITGANGSVERMOGEN

18 t/m 24 V DC; maximaal 125 mA; storingsindicatie bij 150 mA overstroom

AANSLUITING

H1-module met optie van geconditioneerde voeding: 100 Ω 1%, 1 uF, 50 V.

IMPEDANTIE SEGMENTMODULE

Conformiteit met FF-normen

GEWICHT

100 g

Algemene specificaties

GOEDKEURINGEN

Beoordeeld volgens de volgende Europese normen (EMC):

EN55011 (emissies).

EN61000-4-2 (Immunitieit voor elektrostatische ontlading).

EN61000-4-3 (Immunitieit voor elektromagnetische velden).

EN61000-4-4 (Immunitieit voor snelle elektrische transiënten).

EN61000-4-6 (Immunitieit t.o.v. geleide velden).

Opmerking: voldoet aan prestatie criterium B voor immunitieit

Beoordeeld volgens de volgende Europese normen (ATEX):

EN50014 (1997) +A1 +A2.

EN60079-15 (2003).

Gecertificeerd door Sira als model W40203.

Markeringen op het product voor gevaarlijke locaties:

EEx nA IIC T4 - 40°C ≤ T_{omg} t/m ≤ +75°C



II 3 G.



Cert. nr. Sira 05ATEX4046X

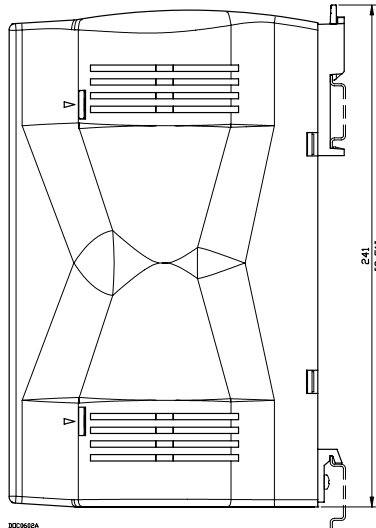
MONTAGE VAN DE FFI

U kunt de FFI monteren als zelfstandig apparaat of als integraal onderdeel van een ROC827. De ROC827 ondersteunt maximaal vier moederkaarten. Als de ROC827 al vier moederkaarten bevat, moet u één moederkaart verwijderen en vervangen door de FFI.

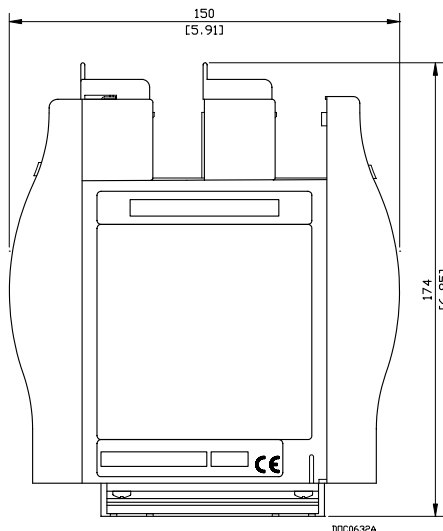
1. De FFI wordt verzonden in een doos. Haal het apparaat uit de doos. De CPU en de H1-modules worden in de fabriek geïnstalleerd.
2. Zoek een geschikte plek om de FFI te installeren. Installeer de FFI altijd in een door de gebruiker beschikbaar te stellen behuizing, omdat de FFI beschermd dient te worden tegen rechtstreekse blootstelling aan regen, sneeuw, ijs, weggeblazen stof of steentjes en corrosieve omgevingen. Als u de FFI buiten het gebouw installeert, dient u de FFI in een IP54-behuizing (of beter) te plaatsen.

Opmerking: dicht alle openingen af die u voor dit doel in de behuizing maakt, om de vereiste IP54-klassering te behouden.

Controleer bij de keuze van de behuizing alle vrije ruimten. Zorg voor voldoende ruimte voor het installeren van de bekabeling en het uitvoeren van onderhoud. Zie *Afbeelding 2* en *Afbeelding 3*.



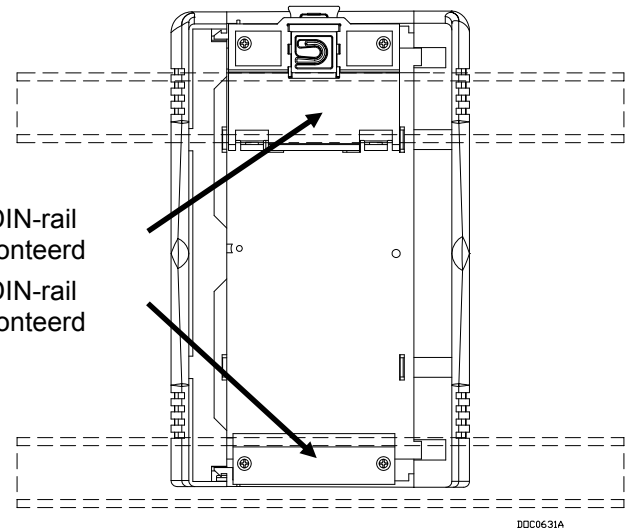
Afbeelding 2. Zijaanzicht van de FFI



Afbeelding 3. Onderaanzicht van de FFI

3. Het huis van de FFI is op twee 35 x 7,5 mm DIN-rails gemonteerd. Zie Afbeelding 4.

- Monteer de bovenste DIN-rail op de FFI.
- Monteer de onderste DIN-rail op de moederkaart.
- Plaats de FFI op de onderste rail die op de moederkaart gemonteerd is en zorg ervoor dat de onderrand van de FFI gelijkigt met het paneel.
- Kantel de bovenkant van de FFI totdat deze vlak tegen het paneel aan ligt.
- Bevestig de bovenste strip van de DIN-rail aan het paneel.



Afbeelding 4. Achterzijde van de FFI

BEDRADING VAN FFI-ONDERDELEN

Voor de bedrading van de FFI moeten de veldbusapparaten op de H1-modules worden aangesloten, moeten de H1-modules op de externe voeding worden aangesloten (indien van toepassing) en moet de CPU-module van de FFI op de ROC of op de externe voeding worden aangesloten. Voor dit document stellen we voor dat u eerst de veldbusapparaten op de H1-modules aansluit en vervolgens de FFI op de ROC (of externe voeding) voordat u de stroom inschakelt.

Opmerking: modules hebben verwijderbare aansluitingenblokken, zodat u deze handig kunt bedraden en onderhouden. Een twisted pair-kabel wordt aanbevolen voor de bekabeling van het I/O-sigitaal. Op de verwijderbare aansluitingenblokken kan bedrading van 12-22 AWG worden aangesloten.

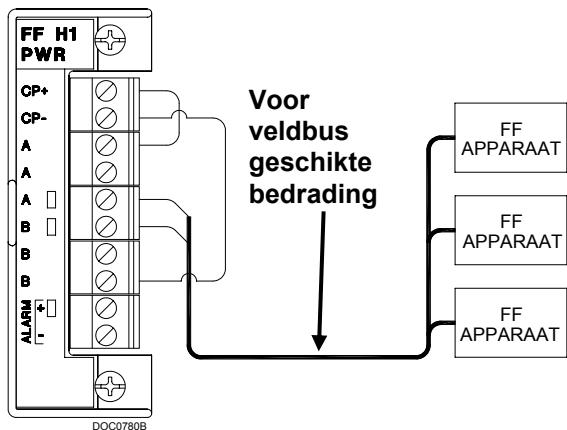
Bedrading van H1-segmentmodules

Voor bedrading van de H1 PWR-module of de H1-module (zonder spanning):

1. Strip het uiteinde van de ader (max. 6,4 mm).
2. Steek het gestripte uiteinde van de ader onder het klemplaatje onder de aansluitschroef.
3. Draai de schroef vast. Zie Afbeelding 5 of Afbeelding 6.

Zorg dat er zo min mogelijk ongeïsoleerde draad blootligt om kortsluiting te voorkomen, maar houd bij aansluiting wat ruimte over om trekbelasting te voorkomen.

De FFI ondersteunt maximaal vier van beide typen H1-segmentmodules. Modules onder spanning (zie Afbeelding 5) bieden tot 125 mA geconditioneerde voeding.



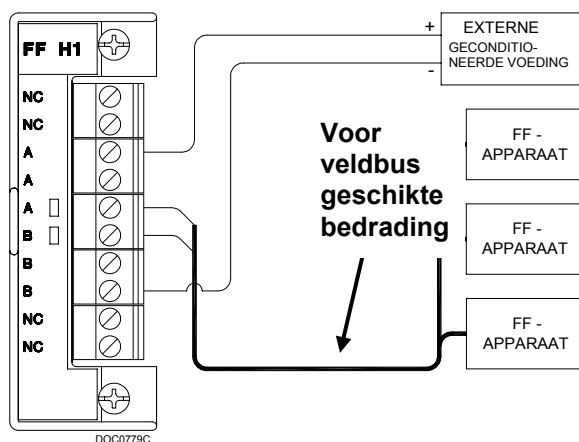
Afbeelding 5. Veldbedrading naar H1-module onder spanning

Tabel 1 geeft een identificatie van elke aansluiting en het doel ervan op de H1-module onder spanning.

Tabel 1. Aansluitingen H1-module onder spanning

Aansluiting	Typeplaatje	Definitie
1	CP+	Geconditioneerde voeding positief
2	CP-	Geconditioneerde voeding negatief
3	A	Veldbus A
4	A	Veldbus A
5	A	Veldbus A
6	B	Veldbus B
7	B	Veldbus B
8	B	Veldbus B
9	Alarm +	Te hoge stroomsterkte open collector
10	Alarm -	Aarde

Gebruik H1-modules zonder spanning en een externe voor veldbussen geschikte geconditioneerde voeding (zie Afbeelding 6) wanneer u niet zeker bent van het stroomverbruik of het aantal veldbusapparaten.



Afbeelding 6. Veldbedrading naar H1-module zonder spanning

Tabel 2 geeft een identificatie van elke aansluiting en het doel ervan op de H1-module zonder spanning.

Tabel 2. Aansluitingen H1-module zonder spanning

Aansluiting	Typeplaatje	Definitie
1	NC	Geen aansluiting
2	NC	Geen aansluiting
3	A	Veldbus A
4	A	Veldbus A
5	A	Veldbus A
6	B	Veldbus B
7	B	Veldbus B
8	B	Veldbus B
9	NC	Geen aansluiting

Opmerking: de FFI ondersteunt maximaal vier H1-modules en u kunt op elke module maximaal 16 veldbusapparaten aansluiten. Het werkelijke aantal ondersteunde apparaten is echter afhankelijk van het stroomverbruik van elk apparaat en het type aansluitkabel dat wordt gebruikt.

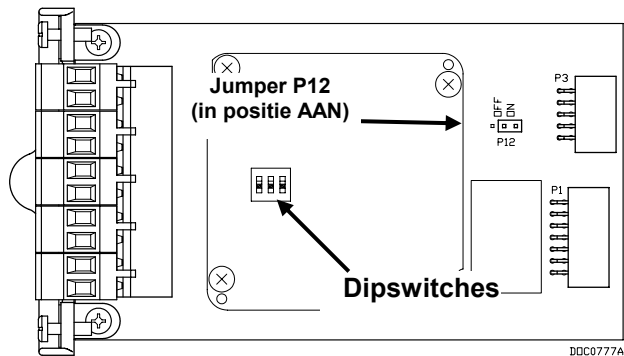
Uitschakeling van de voedingsconditioner op een H1 PWR-module

Als u vaststelt dat de voeding die de H1 PWR-module biedt, onvoldoende is voor uw apparaat, kunt u de voedingsconditioner op de H1-module uitschakelen en een externe geconditioneerde voeding gebruiken.

Opmerking: deze optie is **alleen** beschikbaar voor een H1 PWR-module. U **moet** de voedingsconditioner op de H1 PWR-module uitschakelen voordat u de module op een externe voeding aansluit. Anders kunt u de voedingsconditioner van de module onherstelbaar beschadigen.

De voedingsconditioner uitschakelen:

1. Verwijder het deksel van de kabelgoot.
2. Ontkoppel eventuele bedrading naar de aansluitingsblokken.
3. Schroef de twee borgschroeven los waarmee de module op zijn plaats gehouden wordt.
4. Pak het plastic lipje aan de rand van de module stevig vast en trek de module voorzichtig uit de sleuf. U moet de module mogelijk rustig heen en weer bewegen.
5. Plaats de module zoals weergegeven in Afbeelding 7.



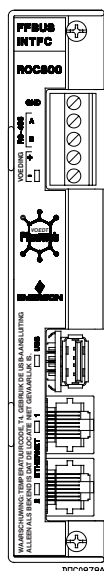
Afbeelding 7. Jumper P12 op H1 PWR-module

- Verplaats de jumper bij P12 van de tweede en derde pen (AAN) naar de eerste en tweede pen (UIT).

Opmerking: pas de dipswitchinstellingen op de H1-module **niet** aan en wijzig deze ook **niet**. De schakelaars zijn in de fabriek ingesteld op UIT.

- Leid de module recht in de sleuf in de FFI en schuif deze in de behuizing totdat de aansluitingen van de module stevig contact maken met de aansluitingen op de moederkaart.
- Draai de borgschroeven op de voorkant van de module aan.
- Sluit de bedrading van de module aan.
- Plaats het deksel van de kabelgoot terug.

Bedrading van de CPU-module van de FFI



Afbeelding 8. Aansluitingen voor bedrading van de CPU-module

Tabel 3 geeft een identificatie van elke aansluiting en het doel ervan in de CPU-module.

Tabel 3. Aansluitingen CPU-module

Aansluiting	Typeplaatje	Definitie
TB1 – 1	AARDE	Aarde
TB1 – 2	A	Momenteel niet gebruikt
TB1 – 3	B	Momenteel niet gebruikt
TB1 – 4	+	Voeding positief
TB1 – 5	-	Power Input Negative
6	USB	Voeding negatief
7	1	Ethernetpoort
8	2	Ethernetpoort

Bedrading op het verwijderbare blok met klemaansluitingen op de CPU-module aansluiten:

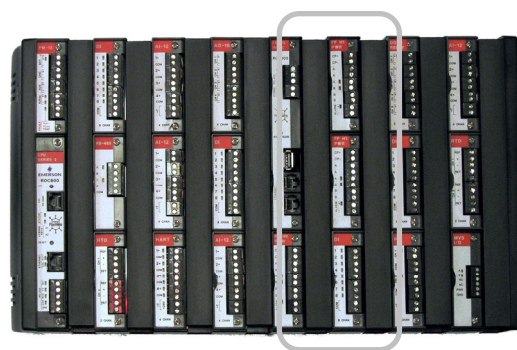
- Strip het uiteinde van de ader (max. 6,4 mm).
- Steek het gestripte uiteinde van de ader onder het klempaatje onder de losgedraaide aansluitschroef.
- Draai de schroef vast.

U kunt de FFI als integraal onderdeel van een ROC827 of als zelfstandig apparaat aansluiten.

Opmerking: aansluiting van de FFI op de ROC800 (“integrale aansluiting”) verdient de voorkeur, want het garandeert dat als de voeding van de CPU van de ROC800 CPU wordt uitgeschakeld, ook de voeding van de FFI wordt uitgeschakeld.

Bedrading van de FFI als integraal onderdeel van een ROC827

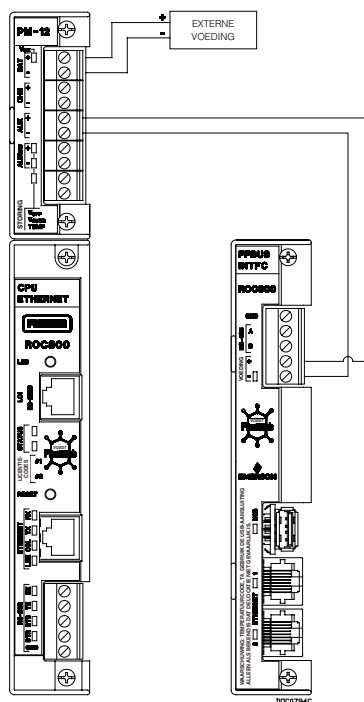
Schuif de FFI in de behuizing van de ROC827 (zoals weergegeven in Afbeelding 9).



Afbeelding 9. FFI in ROC827 geschoven

Opmerking: de ROC827 ondersteunt maximaal vier moederkaarten. Als de ROC827 al vier moederkaarten bevat, moet u één moederkaart verwijderen en vervangen door de FFI.

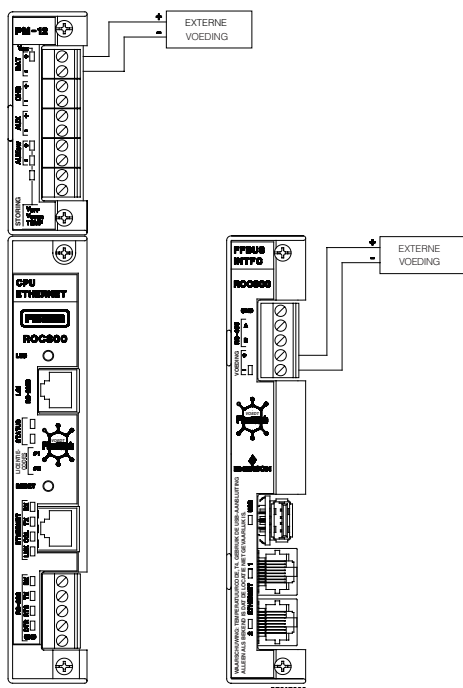
Afbeelding 10 geeft een FFI weer die stroom krijgt van een ROC800. Voor communicatie met de ROC800 en het netwerk worden de Ethernetansluitingen op de FFI gebruikt.



Afbeelding 10. Integrale bedrading van de FFI

Bedrading van de FFI als zelfstandig apparaat

Als u besluit de FFI als zelfstandig apparaat te configureren, gescheiden van een ROC800, moet u de FFI op een eigen voeding aansluiten. Zie Afbeelding 11.



Afbeelding 11. Zelfstandige bedrading van de FFI

AARDING VAN DE FFI

Als in uw bedrijf geen specifieke aardingseisen gelden, installeert u de FFI als een "zwevend" (niet op de aarde aangesloten) systeem. Volg anders de specifieke aardingsvoorschriften van uw bedrijf. Als u echter een geaard apparaat op een (RS-485)-poort van de FFI EIA-485 aansluit, dient u de voedingsbron van de FFI te **aarden**.

Volg de onderstaande richtlijnen als u het apparaat moet aarden:

- Als het apparaat een gelijkspanningsbron gebruikt, moet de aarding bij het uitschakelpunt eindigen. Alle aarddraden van het apparaat - met inbegrip van de kabels of leidingen met stroomdraden - dienen een ononderbroken pad naar het uitschakelpunt te volgen.
- Een verkeerde of onvoldoende aarding kan vaak storingen veroorzaken, zoals het vormen van aardlussen in het systeem. Door een correcte aarding van de FFI worden de effecten van elektrische stoorsignalen gereduceerd en wordt het apparaat beschermd tegen blikseminslag. Installeer een overspanningsbeveiliging bij het uitschakelpunt van gelijkspanningsbronnen om de geïnstalleerde apparatuur te beschermen tegen blikseminslag en piekspanningen. Het verdient mogelijk ook aanbeveling om een overspanningsbeveiliging voor de inbelmodemkaart te monteren.

Sluit de voedingsbekabeling aan. Bepaal de voedingsvereisten zoals beschreven in *Hoofdstuk 3* van de *handleiding van de Foundation veldbusinterface* (document A6259).

Polariteit van de aansluiting controleren

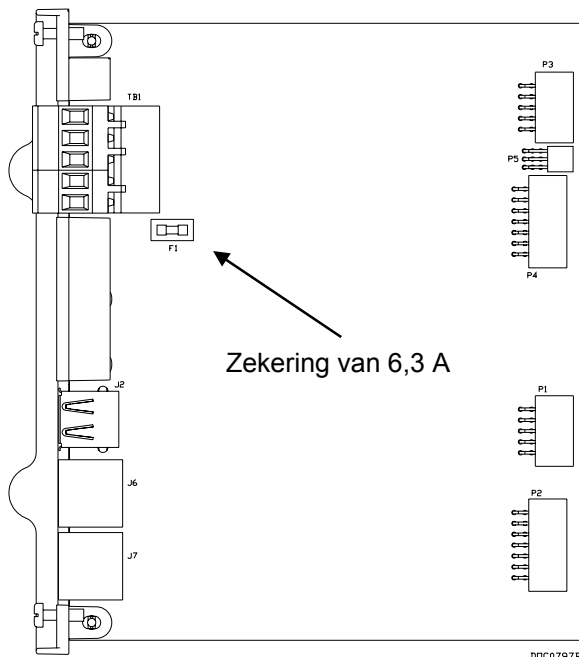
1. Voor het aansluiten van de gelijkspanningsvoeding:
 - Volg, indien nodig, de procedure voor het maken van een back-up van de configuratie- en logdata.
 - Installeer anders een overspanningsbeveiliging bij het uitschakelpunt.
 - Verwijder alle andere voedingsbronnen van de ROC800.
 - Monteer een zekering bij de ingangsvvoeding.
 - Haal de connector van het aansluitingenblok uit de bus.
 - Steek het gestripte uiteinde van elke kabel in de klem onder de relevante BAT+ / BAT- aansluitschroef (voor de bron van 12 Volt DC) **OF** in de klem onder de relevante +/- aansluitschroef (voor de bron van 24 Volt DC).

Opmerking: de + aansluitschroef zou ook een zekering moeten hebben.

- Schroef elke ader in het aansluitingenblok vast. Steek de connector van het aansluitingenblok weer in de bus.
 - Plaats (indien nodig) alle andere voedingsbronnen terug in de FFI.
2. Sluit de bedrading op de aansluitingenblokken op de H1-interfacemodules aan. Zie *Hoofdstuk 4* van de *Handleiding Foundation veldbusinterface* (document A6259) voor bedradingsschema's en de bijbehorende uitleg.
 3. Druk de deksels op de kabelgoten zodra u klaar bent met het aansluiten van de bekabeling op de aansluitingenblokken. Zie *Afbeelding 13*.
 4. Schakel de stroom in om de FFI te starten. Het LED-lampje voor aan/uit op de FFI (zie *Afbeelding 13*) zou groen moeten gaan branden als indicatie dat de aangesloten spanning correct is.
 5. Zodra het apparaat opgestart is, moet de FFI geconfigureerd worden volgens de vereisten van de toepassing. Raadpleeg de *Gebruikershandleiding configuratie veldinterface* (document A6250). Bij normaal bedrijf en gebruik hoeft de gebruiker het apparaat niet bij te stellen.
 6. Als onderhoud van de FFI dient de bekabeling regelmatig op tekenen van slijtage te worden gecontroleerd.

De zekering vervangen

Als de server niet functioneert, maar u denkt dat deze op de voeding is aangesloten en het LED-lampje AAN/UIT niet gaat branden, moet u mogelijk de zekering van 6,3 A op de CPU-module vervangen (zie *Afbeelding 12*).

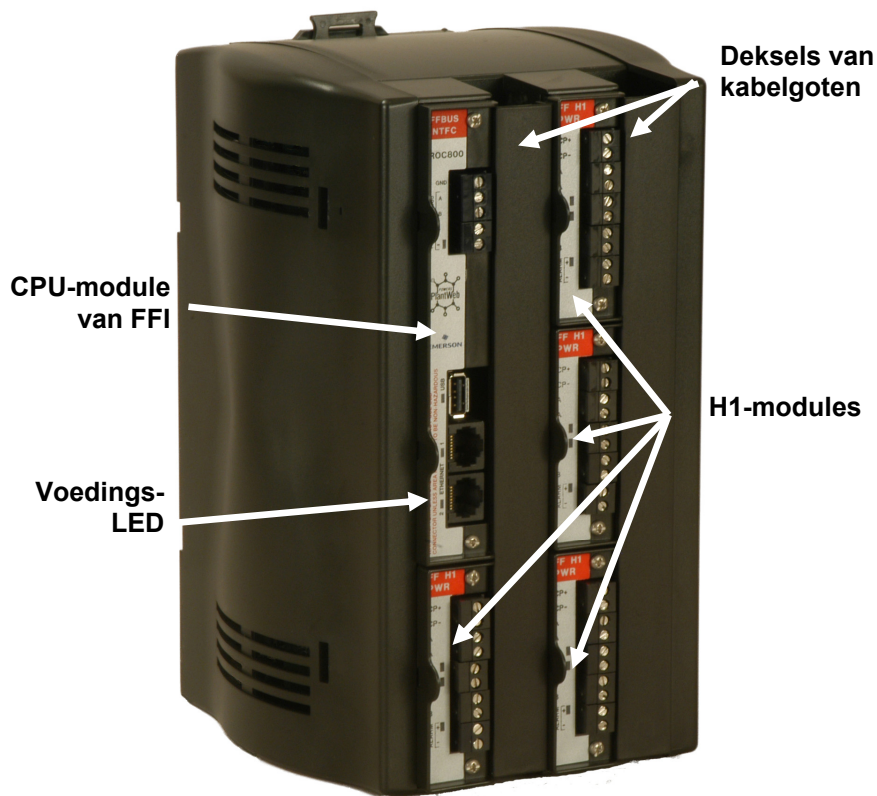


Afbeelding 12. Zekering van 6,3 A op CPU

1. Ontkoppel de voeding van de interface van de CPU-module.
2. Verwijder het deksel van de kabelgoot.
3. Ontkoppel alle bedrading van de interface van de CPU-module.
4. Schroef de vier bevestigingsschroefjes aan de voorzijde van de voorplaat van de CPU-module los.
5. Pak de optillipjes aan de rand van de voorplaat van de CPU-module vast en til de CPU-module voorzichtig uit de aansluitingen op de moederplaat. U moet de module los voelen komen van de moederplaat.
6. Haal de CPU-module voorzichtig uit de interfacebehuizing. Schraap niet met de zijkanten van de CPU langs de behuizing. Zorg dat u geen kabels lostrekt die op de interface zijn aangesloten.
7. Onderzoek de zekering (zie *Afbeelding 12*) en vervang deze indien nodig door een MSB 6,3A SB (Slo-Blo) zekering.
8. Plaats de CPU-module in de daartoe bestemde sleuf in de behuizing.
9. Schuif de CPU-module omlaag in de daartoe bestemde aansluitingen op de moederkaart.
10. Schroef de vier bevestigingsschroefjes aan de voorzijde van de voorplaat van de CPU-module vast.
11. Sluit alle bedrading weer aan.
12. Plaats het deksel van de kabelgoot terug.
13. Sluit de CPU-module weer op de voeding aan.

DEMONTAGE VAN DE FFI

1. Maak een back-up van alle configuratie- en logboekgegevens van de FFI. Koppel vervolgens alle voedingsbronnen van de FFI los en verwijder alle externe bedrading van de H1-modules.
2. Haal het huis van de FFI van de DIN-rails door de twee vergrendelingen van de DIN-rail boven aan de achterzijde van het huis los te maken.
3. Plaats de FFI voor verzending of opslag in een doos.



Afbeelding 13. FOUNDATION veldbusinterface

Bristol, Inc., Bristol Babcock Ltd, Bristol Canada, BBI SA de CV en de Flow Computer Division zijn volle dochtermaatschappijen van Emerson Electric Co., die handel drijven onder de naam Remote Automation Solutions ("RAS"), een divisie van Emerson Process Management. FloBoss, ROCLINK, Bristol, Bristol Babcock, ControlWave, TeleFlow en Helicoid zijn handelsmerken van RAS. AMS, PlantWeb en het PlantWeb-logo zijn handelsmerken van Emerson Electric Co. Het Emerson-logo is een handels- en servicemerk van Emerson Electric Co. Alle andere merken zijn eigendom van hun respectieve eigenaren.

De inhoud van deze publicatie is uitsluitend ter informatie. Hoewel we uiterste zorg hebben besteed aan de nauwkeurigheid van de informatie, kunnen er geen rechten of garanties, expliciet of impliciet, met betrekking tot de producten of diensten die erin beschreven zijn, of het gebruik of de toepasbaarheid ervan, aan worden ontleend. RAS behoudt zich het recht voor om de ontwerpen en specificaties van dergelijke producten zonder voorafgaand bericht te wijzigen of te verbeteren. De leveringsvoorwaarden van RAS, die op aanvraag verkrijgbaar zijn, zijn op alle verkopen van toepassing. RAS aanvaardt geen aansprakelijkheid voor de selectie, het gebruik of het onderhoud van enig product. De aansprakelijkheid voor de juiste selectie, het juiste gebruik en onderhoud van enig product van RAS, berust uitsluitend bij de koper en de eindgebruiker.

Emerson Process Management

Remote Automation Solutions

Marshalltown, IA 50158 U.S.A.

Houston, TX 77065 U.S.A.

Pickering, North Yorkshire UK Y018 7JA

FOUNDATION™ Fieldbus Interface (Serie ROC800)



Figura 1. Etiqueta de FOUNDATION Fieldbus Interface

Utilice este documento de instrucciones de seguridad para el uso (SUI) con el Manual de instrucciones de FOUNDATION Fieldbus Interface (Formulario A6259). Consulte el manual para obtener información completa sobre advertencias y procedimientos de instalación y resolución de problemas. Si necesita recibir capacitación sobre este producto, comuníquese con la oficina de ventas de su zona.

Foundation Fieldbus Interface (o "FFI"), aprobado por ATEX, se puede solicitar con los módulos del segmento H1 detallados en las especificaciones técnicas de FOUNDATION Fieldbus Interface (Serie ROC800) (ROC800:FFI).

Condiciones de seguridad especiales para el uso de FFI

- Instale el equipo en un IP54 o gabinete de mejor calidad o ubicación equivalente. Cualquier gabinete deberá contar con la certificación o aprobación correspondiente a su zona de uso (Zona 2).
- El usuario deberá asegurarse de que no se supere la tensión nominal de entrada en funcionamiento.

Declaración de conformidad

Por el presente, Remote Automation Solutions declara que los productos Foundation Fieldbus Interface cumplen con los requisitos fundamentales y otras disposiciones relevantes de las directivas europeas 2004/108/EC (EMC) y 1994/9/EC (ATEX).

PRECAUCIÓN

Cuando instale unidades en un área peligrosa, controle que todos los componentes estén rotulados para utilizarse en ese tipo de lugares. La instalación y el mantenimiento deben realizarse sólo cuando no existen riesgos en la zona. Si realiza las tareas de instalación o mantenimiento dentro de las zonas de riesgo podrían producirse accidentes y daños en los bienes materiales.

Desenchufe siempre la interfaz Foundation Fieldbus antes de conectar cualquier tipo de cables. Si manipula cables con carga eléctrica podrían producirse accidentes y daños en los bienes materiales.

Para evitar daños en los circuitos cuando trabaje en la unidad, tome las precauciones adecuadas contra descargas electrostáticas (por ejemplo, utilice una muñequera antiestática).

PRECAUCIÓN

Verifique la polaridad de la energía de entrada antes de conectar la interfaz Foundation Fieldbus.

Las siguientes herramientas son necesarias para la instalación, el mantenimiento y la resolución de problemas:

- Computadora personal con Microsoft® Windows® 2000 (con Service Pack 2), Windows XP o Windows Vista.
- Software de configuración ROCLINK™ 800.
- Destornillador Phillips.
- Destornillador plano.

Especificaciones del sistema CPU

ENERGÍA (CPU)

3,56 W a 24 V CC (suministro de entrada de 10 a 30 V CC).

MATERIALES

Gabinete: plástico acrilonitrilo butadieno estireno (ABS).

Cubierta del canal de cableado: plástico polipropileno.

Módulos: poliéster termoplástico, resistente al solvente.

CARACTERÍSTICAS AMBIENTALES

Temperatura de funcionamiento: -40° a $+75^{\circ}$ C.

Temperatura de almacenamiento: -40° a $+85^{\circ}$ C.

Humedad relativa: IEC68-2-3; 5 a 95% sin condensación.

Vibración: IEC68-2-6; 0,15 mm o 20 m/seg.²

Choque mecánico: IEC68-2-27; 11 milisegundos, senoide 50Gs apagado, 15 Gs encendido

Choque térmico: IEC68-2-14; aire a aire de -20° a 85° C

PESO

Carcasa, panel de fondo y CPU: 1,65 kg.

Especificaciones del módulo H1

ENERGÍA (CPU)

1,18 W (del acondicionador de alimentación interna o fuente de alimentación externa)

PROTECCIÓN CONTRA EXCESOS DE VOLTAJE

± 36 V dc, conexiones fieldbus

$+ 28$ V dc, conexiones para alarmas

SALIDA DE CORRIENTE ACONDICIONADA

18 a 24 V dc; 125 mA máximo; 150 mA indicación de falla por sobrecorriente

TERMINADOR

Módulo H1 con opción de energía condicionada: 100Ω 1%, 1 μ F, 50 V.

IMPEDANCIA DEL MÓDULO DEL SEGMENTO

Cumple con las normas FF

PESO

100 g

Especificaciones comunes

APROBACIONES

Evaluado según las siguientes normas europeas (EMC):

EN55011 (Emisiones).

EN61000-4-2 (protección contra descarga electrostática).

EN61000-4-3 (protección contra campos electromagnéticos).

EN61000-4-4 (protección contra descarga eléctrica transitoria rápida).

EN61000-4-6 (protección contra las perturbaciones conducidas).

Nota: cumple con el Criterio B de rendimiento en lo que respecta a protección.

Evaluado según las siguientes normas europeas (ATEX):

EN50014 (1997) +A1 +A2.

EN60079-15 (2003).

Certificado por Sira como modelo W40203.

Clasificaciones de productos para lugares peligrosos:

EEx nA IIC T4 – 40° C $\leq T_{amb}$ a $\leq +75^{\circ}$ C)



Certificación catálogo Sira 05ATEX4046X

MONTAJE DEL FFI

Puede instalar el FFI como una unidad independiente o como pieza integral de un ROC827. El ROC827 es compatible con un máximo de **cuatro** paneles de fondo. Si el ROC827 ya incluye cuatro paneles de fondo, debe extraer un panel de fondo y reemplazarlo con el FFI.

1. La unidad FFI se entrega dentro de una caja. Retire la unidad de la caja. La CPU y los módulos H1 se instalan en la fábrica.
2. Busque un lugar apropiado para instalar el equipo FFI. Instale siempre el FFI en el gabinete que se entrega al usuario, dado que el FFI necesita protección contra la exposición directa a la lluvia, la nieve, el hielo, el polvo o los residuos que flotan en el ambiente y elementos corrosivos de la atmósfera. Si instala el FFI fuera de un edificio, coloque el FFI en un gabinete IP54 (o de mejor calidad).

Nota: selle los orificios que realice para ello en el gabinete, a fin de garantizar que se mantenga la calidad requerida para el IP54.

Cuando se disponga a elegir un lugar para la instalación, verifique todas las distancias. Debe contar con el espacio adecuado para el cableado y el servicio técnico. Ver *Figura 2* y *Figura 3*.

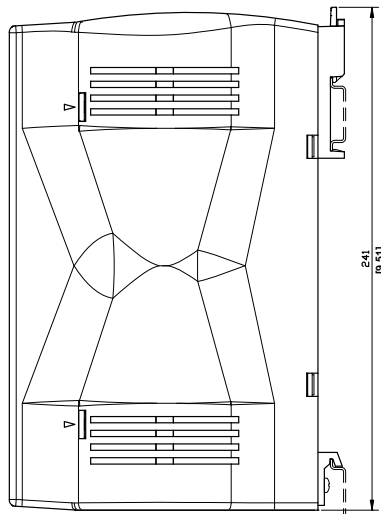


Figura 2. Vista lateral del FFI

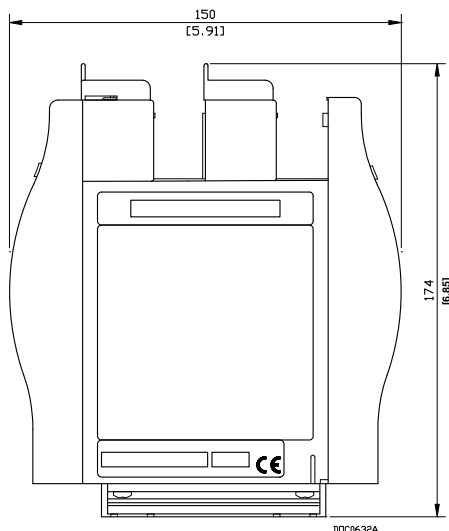


Figura 3. Vista inferior del FFI

3. La carcasa del FFI se instala sobre dos rieles DIN de 35 x 7,5 mm. Consulte la *Figura 4*.

- Instale los rieles DIN superiores sobre el FFI.
- Instale los rieles DIN inferiores sobre el panel de fondo.
- Coloque el FFI sobre el riel inferior instalado en el panel de fondo, asegurándose de que el borde inferior del FFI esté nivelado con el panel.
- Haga girar la parte superior de la unidad FFI hasta nivelarla con el panel.
- Asegure la barra superior del riel DIN al panel.

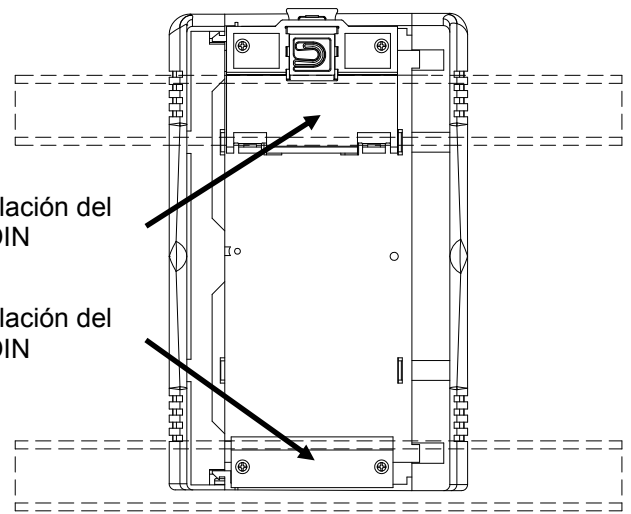


Figura 4. Vista posterior del FFI

CABLEADO DE LOS COMPONENTES DEL FFI

El cableado del FFI incluye la conexión de los dispositivos de fieldbus a los módulos H1, el cableado de los módulos H1 a la alimentación externa (si corresponde) y el cableado del módulo de la CPU del FFI al ROC o fuente de alimentación externa. En este documento, le recomendamos que en principio realice el cableado de los dispositivos fieldbus a los módulos H1 y que luego realice el cableado del FFI al ROC (o fuente de alimentación externa) antes de aplicar corriente eléctrica.

Nota: los módulos incluyen bloques de terminales desmontables para facilitar el cableado y el servicio técnico. Se recomienda el cable de par trenzado para el circuito de señalización de E/S. Los bloques de terminales desmontables utilizan cables de calibre 12-22.

Cableado de los módulos del segmento H1

Para realizar el cableado de los módulos H1 PWR o H1 (carga eléctrica desconectada):

1. Pele el extremo del cable (6,4 mm. como máximo).
2. Inserte el extremo descubierto en la abrazadera ubicada debajo del tornillo de terminal.
3. Ajuste los tornillos. Ver *Figura 5* o *Figura 6*.

Deje expuesta una pequeña porción de cable descubierta a fin de evitar cortocircuitos, pero al hacer las conexiones permita un poco de juego en los cables a fin de evitar la tensión.

El FFI es compatible con cuatro tipos de módulos de segmentos H1. Los módulos con carga eléctrica

(consulte la *Figura 5*) ofrecen hasta 125 mA de corriente acondicionada.

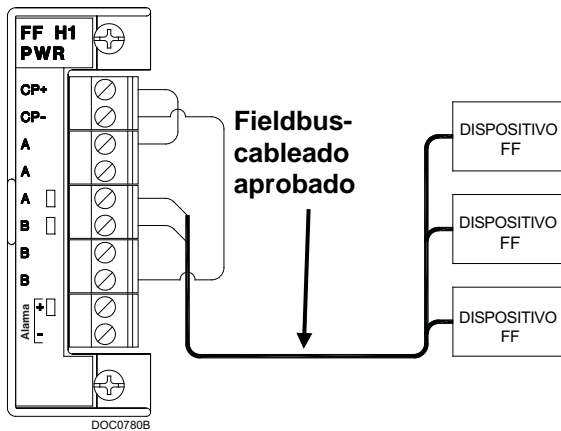


Figura 5. Cableado del sitio para el módulo H1 con carga eléctrica

La *tabla 1* identifica a cada terminal y su uso para el módulo H1 con carga eléctrica.

Tabla 1. Terminales del módulo H1 con carga eléctrica

Terminal	Etiqueta	Definición
1	CP+	Corriente acondicionada positiva
2	CP-	Corriente acondicionada negativa
3	A	Fieldbus A
4	A	Fieldbus A
5	A	Fieldbus A
6	B	Fieldbus B
7	B	Fieldbus B
8	B	Fieldbus B
9	Alarma+	Sobrecorriente Colector abierto
10	Alarma+	Puesta a tierra

Use los módulos H1 sin carga eléctrica y una fuente de alimentación externa acondicionada aprobada para fieldbus (consulte la *Figura 6*) si desconoce el consumo de energía o la cantidad de dispositivos fieldbus.

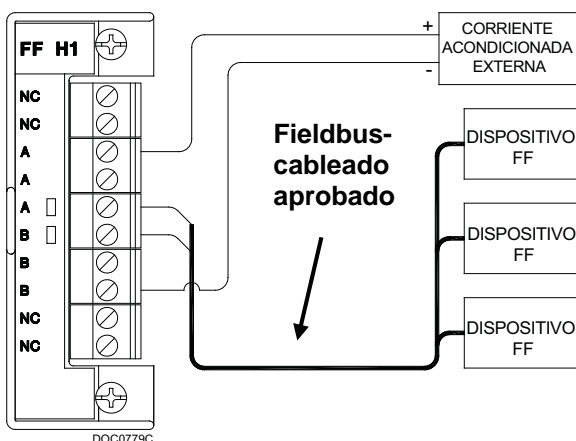


Figura 6. Cableado del sitio para el módulo H1 sin carga eléctrica

La *tabla 2* identifica a cada terminal y su uso para el módulo H1 sin carga eléctrica.

Tabla 2. Terminales del módulo H1 sin carga eléctrica

Terminal	Etiqueta	Definición
1	NC	Sin conexión
2	NC	Sin conexión
3	A	Fieldbus A
4	A	Fieldbus A
5	A	Fieldbus A
6	B	Fieldbus B
7	B	Fieldbus B
8	B	Fieldbus B
9	NC	Sin conexión
10	NC	Sin conexión

Nota: el FFI es compatible con un máximo de cuatro módulos H1 y usted puede conectar hasta 16 dispositivos fieldbus a cada módulo. Sin embargo, la cantidad actual de dispositivos compatibles depende del consumo de energía de cada uno y del tipo de cable que se utilice para la conexión.

Desactivación del acondicionador de alimentación en un módulo H1 PWR

Si determina que la cantidad de energía que proviene del módulo H1 PWR no es suficiente para su dispositivo, puede desactivar el acondicionador de alimentación en el módulo H1 y usar energía acondicionada externa.

Nota: esta opción se encuentra disponible **únicamente** para un módulo H1 PWR. Usted **debe** desactivar el acondicionador de alimentación en el módulo H1 PWR antes de conectar los cables del módulo con la fuente de alimentación externa. De lo contrario, puede dañar de manera irreparable el acondicionador de alimentación del módulo.

Para deshabilitar la corriente acondicionada:

1. Extraiga la tapa del canal de cableado.
2. Desconecte los cables de los bloques de terminales.
3. Retire los dos tornillos prisioneros que sujetan al módulo en su sitio.
4. Tome firmemente el reborde plástico sobre el borde del módulo y tire con sumo cuidado el módulo de la ranura. Es probable que deba mover el módulo con cuidado.
5. Ubique el módulo como se indica en la *Figura 7*.

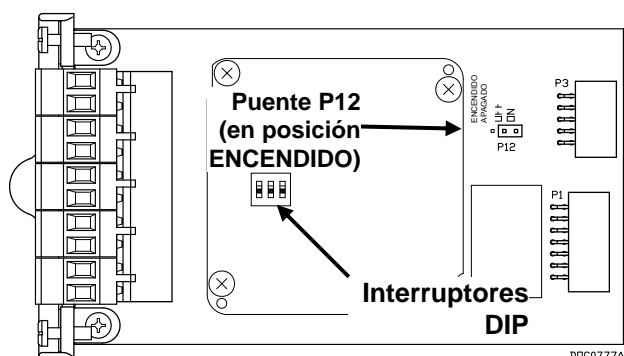


Figura 7. Puente P12 en el módulo H1 PWR

Terminal	Etiqueta	Definición
TB1 – 1	TIERRA	Conexión a tierra
TB1 – 2	A	Actualmente no se utiliza
TB1 – 3	B	Actualmente no se utiliza
TB1 – 4	+	Potencia de entrada positiva
TB1 – 5	-	Potencia de entrada negativa
6	USB	Actualmente no se utiliza
7	1	Puerto Ethernet
8	2	Puerto Ethernet

- Mueva el puente ubicado en P12 desde el segundo y tercer pin (ENCENDIDO) al primer y segundo pin (APAGADO).
Nota: no ajuste ni cambie la configuración del interruptor DIP en el módulo H1. Los interruptores están configurados de fábrica como APAGADOS.
 - Alinee el módulo en su correspondiente ranura en el FFI y deslícelo en el gabinete hasta que los conectores del módulo contacten de manera segura a los conectores del panel de fondo.
 - Ajuste los tornillos prisioneros en el frente del módulo.
 - Realice el cableado del módulo.
 - Coloque nuevamente la tapa del canal de cableado.
- Cableado del módulo CPU del FFI**

A fin de conectar los cables en las terminales de los bloques de compresión extraíbles en el módulo CPU:

- Pelee el extremo del cable (6,4 mm. como máximo).
- Inserte el extremo descubierto en la abrazadera ubicada debajo del tornillo de terminal que se ha aflojado.
- Ajuste los tornillos.

Puede conectar los cables del FFI como pieza integral de un ROC827 o como un dispositivo independiente.

Nota: se recomienda realizar el cableado del FFI al ROC800 (“cableado integral”), dado que garantiza que también se interrumpa el suministro del FFI al interrumpir el suministro eléctrico de la CPU de ROC800.

Cableado del FFI como pieza integral de un ROC827

Inserte el FFI en la carcasa del ROC827 (como se indica en la Figura 9).

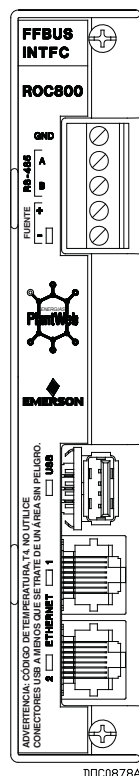


Figura 8. Terminales de cableado del módulo CPU



Figura 9. FFI insertado en ROC827

La tabla 3 identifica a cada terminal y su uso en el módulo CPU.

Tabla 3. Terminales del módulo CPU

Nota: el ROC827 es compatible con un máximo de cuatro paneles de fondo. Si el ROC827 ya incluye cuatro paneles de fondo, debe extraer un panel de fondo y reemplazarlo con el FFI.

La *Figura 10* muestra un FFI que toma el suministro eléctrico de un ROC800. Las comunicaciones realizadas al ROC800 y a la red utilizarán las conexiones de Ethernet en el FFI.

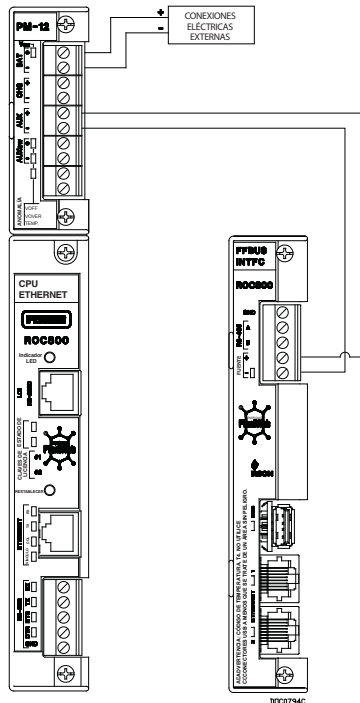


Figura 10. Cableado integral del FFI

Cableado del FFI como un dispositivo independiente

Si decide configurar el FFI como dispositivo independiente de un ROC800, debe conectar los cables del FFI a su propia fuente de alimentación. Ver *Figura 11*.

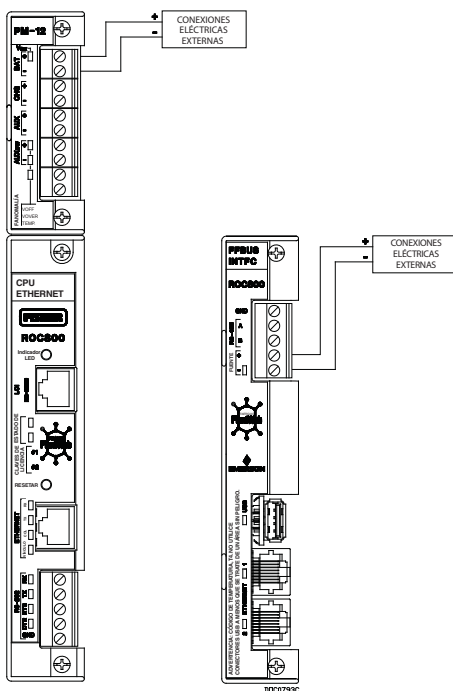


Figura 11. Cableado independiente del FFI

PUESTA A TIERRA DE LA UNIDAD FFI

Si su empresa no establece requisitos específicos para la puesta a tierra, instale el FFI como un sistema “flotante” (sin conexión a tierra). De lo contrario, respete las indicaciones específicas sobre la puesta a tierra que establece su empresa. Sin embargo, si realiza una conexión entre un dispositivo con puesta a tierra y un puerto EIA-485 (RS-485) del FFI, **conecte la puesta a tierra** de la fuente de alimentación del FFI.

Si debe conectar la puesta a tierra del equipo, respete las siguientes indicaciones:

- Cuando el equipo utiliza una fuente de tensión de CC, el sistema de puesta a tierra debe terminar en el interruptor del servicio. Todos los conductores de puesta a tierra de los equipos (entre ellos, los cables o conductos que transportan los conductores de alimentación eléctrica) deben suministrar un trayecto ininterrumpido de alimentación eléctrica al interruptor del servicio.
- Las conexiones de puesta a tierra inadecuadas o deficientes pueden causar problemas, como por ejemplo, introducir bucles de tierra en el sistema. La correcta conexión a tierra de FFI ayuda a reducir los efectos del ruido eléctrico durante el funcionamiento y ofrece protección contra rayos. Debe instalarse un dispositivo de protección de sobrecarga en el interruptor de servicio de los sistemas de fuentes de CC para proteger a los equipos instalados contra rayos y sobrecargas de energía. Asimismo, se puede utilizar un protector de sobrecarga telefónica para la tarjeta de comunicación con módem de acceso telefónico.

Conecte el equipo al suministro eléctrico. Determine los requisitos de alimentación que se detallan en el *Capítulo 3 del Manual de instrucciones de Foundation Fieldbus Interface* (Formulario A6259).

Verificar la polaridad de la conexión

4. Para realizar las conexiones de suministro eléctrico de CC.
 - Complete el procedimiento de respaldo de la configuración y los datos de registro, si corresponde.
 - Instale un dispositivo de protección de sobrecarga en el interruptor del servicio de forma opcional.
 - Extraiga todas las fuentes de alimentación restantes del ROC800.
 - Instale un fusible en la fuente de alimentación de entrada.
 - Extraiga el conector del bloque de la terminal del tomacorriente.
 - Puede insertar el extremo descubierto de cada cable en la abrazadera ubicada debajo del

tornillo de terminal BAT+ / BAT– (para la fuente de CC de **12** voltios) **O** en la abrazadera ubicada debajo del tornillo de terminal +/- (para la fuente de CC de **24** voltios).

Nota: la terminal + también deberá tener un fusible.

- Atornille cada cable en el bloque de la terminal. Enchufe el conector del bloque de la terminal nuevamente en el tomacorriente.
 - Coloque nuevamente el resto de las fuentes de alimentación (si fuera necesario) en el FFI.
5. Conecte los cables a los bloques de las terminales en los módulos de la interfaz H1. Consulte el *Capítulo 4 del Manual de instrucciones de Foundation Fieldbus Interface* (Formulario A6259) para ver el esquema de cableado y las explicaciones.
 6. Presione las cubiertas de los canales de cableado en su sitio sobre los canales de cableado, una vez finalizado el cableado de los bloques de las terminales. Ver *Figura 13*.
 7. Suministre energía para iniciar el FFI. El indicador LED de alimentación en el FFI (consulte la *Figura 13*) debería estar encendido en la luz verde para indicar que el voltaje aplicado es correcto.
 8. Cuando la puesta en marcha se realice correctamente, configure el FFI de acuerdo con los requisitos de la aplicación. Consulte el *Manual del usuario del configurador de la interfaz del sitio* (Formulario A6250). Durante el funcionamiento y uso normales, no es necesario realizar modificaciones para los usuarios en este dispositivo.
 9. Para mantener el FFI, revise el cableado de forma periódica para detectar signos de deterioro.

Reemplazo de los fusibles

Si el servidor no funciona, si bien considera que recibe alimentación eléctrica y la luz de ENCENDIDO – LED no enciende, es probable que deba reemplazar el fusible de 6,3 amp en el módulo de la CPU (consulte la *Figura 12*).

1. Interrumpa el suministro eléctrico del módulo de la interfaz de la CPU.
2. Extraiga la tapa del canal de cableado.
3. Desconecte todos los cables del módulo de la interfaz de la CPU.
4. Retire los dos tornillos de retención pequeños del frente de la placa frontal del módulo de la CPU.
5. Tome las lengüetas verticales en el borde de la placa frontal del módulo de la CPU y con sumo cuidado levante el módulo de la CPU hacia afuera de sus enchufes en el panel de fondo. Debe sentir que el módulo se desprende del panel de fondo.

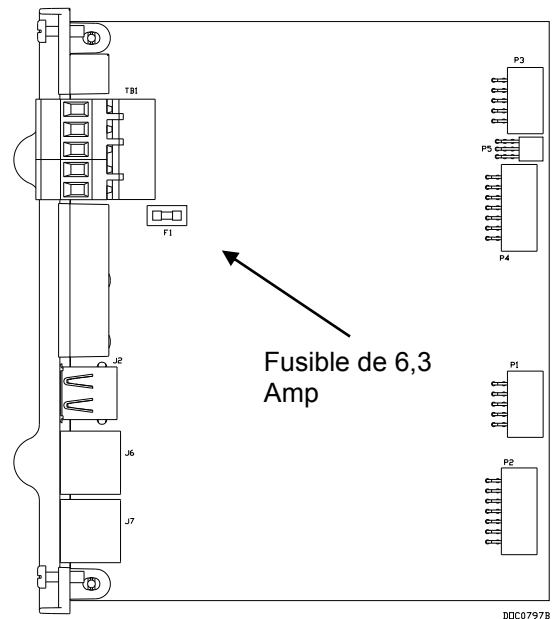


Figura 12. Fusible de la CPU de 6,3 Amp

6. Con sumo cuidado, extraiga el módulo de la CPU de la carcasa de la interfaz. No raspe los laterales de la CPU con la carcasa. Asegúrese de no tirar de los cables conectados a la interfaz.
7. Revise el fusible (consulte la *Figura 12*) y, de ser necesario, reemplácelo con un fusible MSB 6,3A SB (Slo-Blo).
8. Coloque el módulo de la CPU en el canal correspondiente en la carcasa.
9. Deslice el módulo de la CPU hacia abajo en sus conectores en el panel de fondo.
10. Ajuste los dos tornillos de retención pequeños del frente de la placa frontal del módulo de la CPU.
11. Conecte nuevamente todos los cables.
12. Reemplace la tapa del canal de cableado.
13. Restablezca el suministro eléctrico en el módulo de la CPU.

DESMONTAJE DEL FFI

1. Realice el respaldo de toda la configuración y de los datos de registro del FFI. Luego, interrumpa todo el suministro eléctrico del FFI y extraiga los cables externos de los módulos H1.
2. Extraiga la carcasa del FFI de los rieles DIN aflojando los dos colectores de los rieles DIN encima de la parte posterior de la carcasa.
3. Coloque el FFI en una caja de embalaje para envío o almacenamiento.

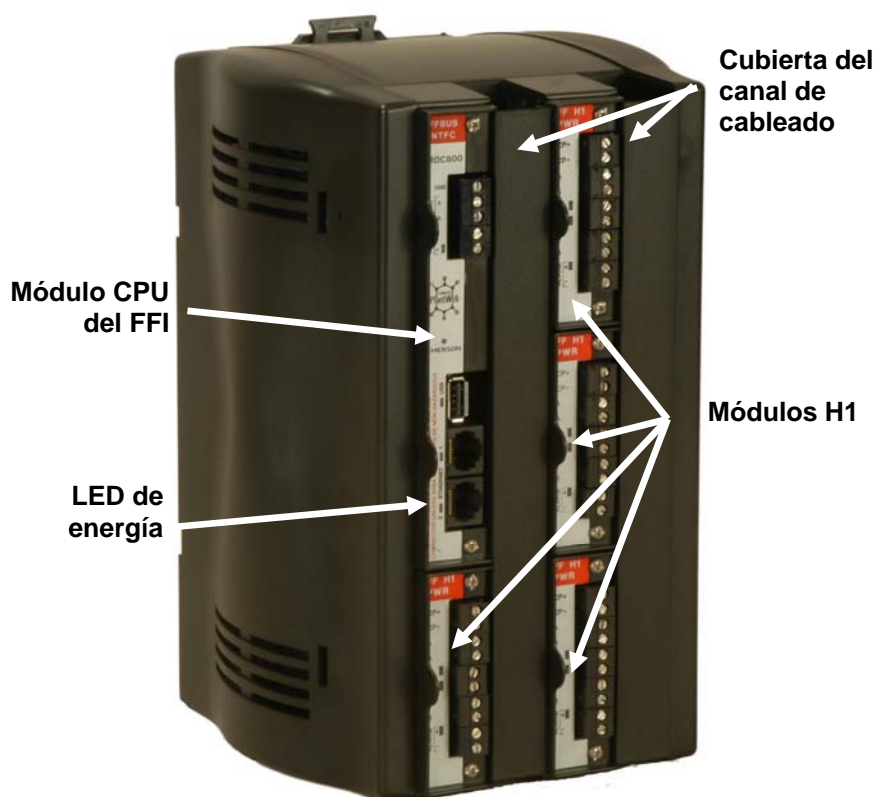


Figura 13. Interfaz FOUNDATION Fieldbus

Bristol, Inc., Bristol Babcock Ltd, Bristol Canada, BBI SA de CV y la división Flow Computer Division son subsidiarias de propiedad absoluta de Emerson Electric Co. que operan como Remote Automation Solutions ("RAS"), una división de Emerson Process Management. FloBoss, ROCLINK, Bristol, Bristol Babcock, ControlWave, TeleFlow y Helicoid son marcas comerciales de RAS. AMS, PlantWeb y el logotipo de PlantWeb son marcas de Emerson Electric Co. El logotipo de Emerson es una marca comercial y una marca de servicio de Emerson Electric Co. Todas las marcas restantes pertenecen a sus respectivos propietarios.

Esta publicación se realiza con fines meramente informativos y, si bien se ha procurado ofrecer información precisa, el contenido del presente no debe considerarse como una garantía expresa ni implícita respecto de los productos o servicios que se describen ni de su uso o aplicabilidad. RAS se reserva el derecho de modificar o mejorar los diseños o especificaciones de los productos en cualquier momento sin previo aviso. Toda venta se rige por las cláusulas y condiciones estipuladas por RAS, que se encuentran disponibles a pedido. RAS no asume responsabilidad alguna por la selección, el uso o el mantenimiento de ningún producto. La selección, el uso y el mantenimiento adecuados de todo producto RAS serán exclusiva responsabilidad del comprador y usuario final.

Emerson Process Management

Flow Computer Division
Marshalltown, IA 50158 U.S.A.
Houston, TX 77065 U.S.A.
Pickering, North Yorkshire UK Y018 7JA