

# Replace a 1700/2700 Integral-Mount Transmitter with a 1600 Integral Transmitter and Adapter





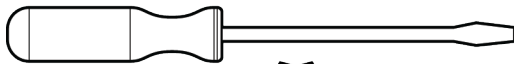
## Required tools



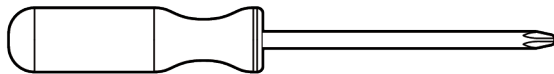
**1** 4mm Allen Wrench



**2** 2.5mm hex driver



**3** 4.5mm x 80mm slotted screwdriver  
(or equivalent)



**4** #1 Phillips screwdriver



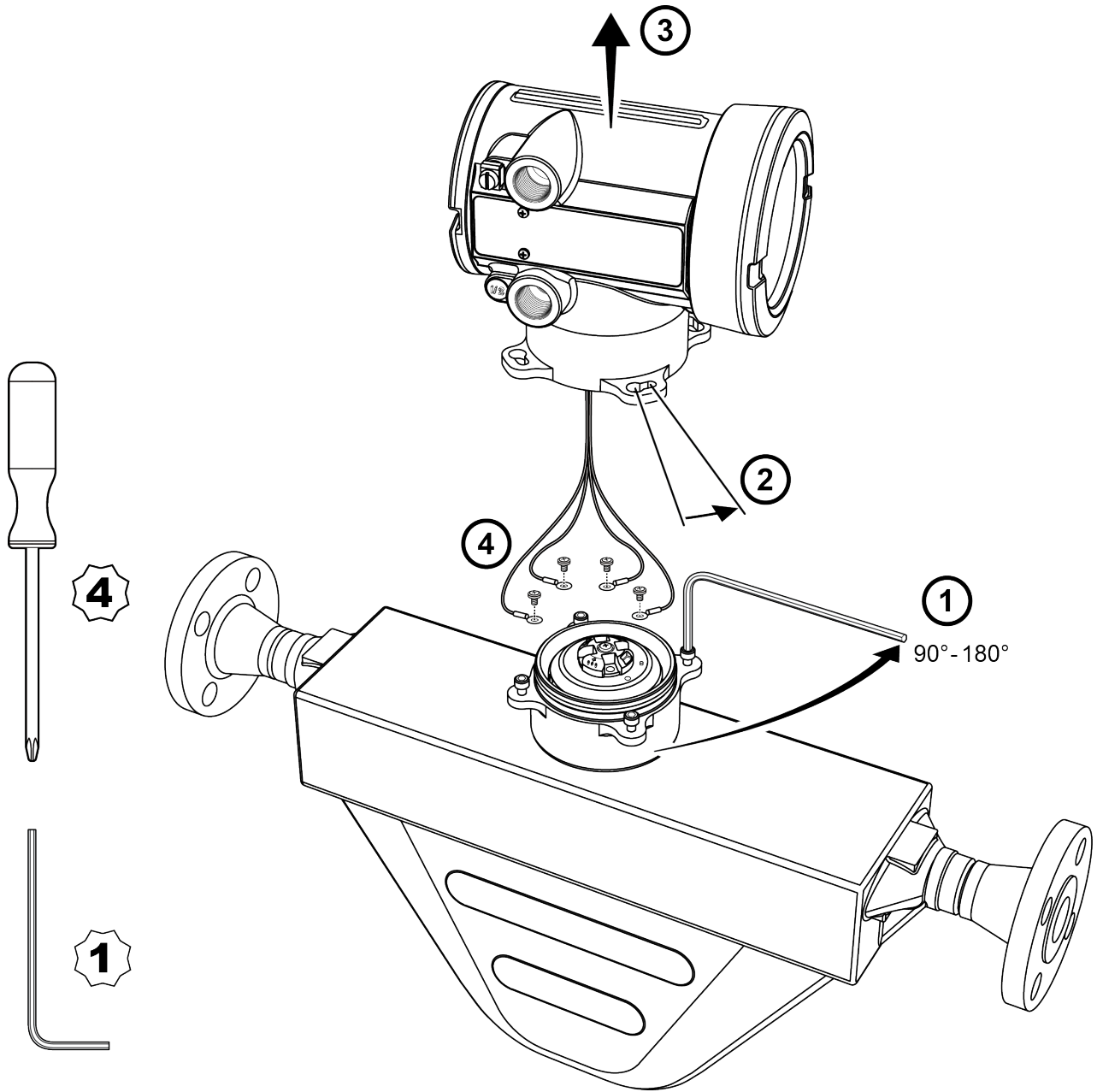
---

**Note**

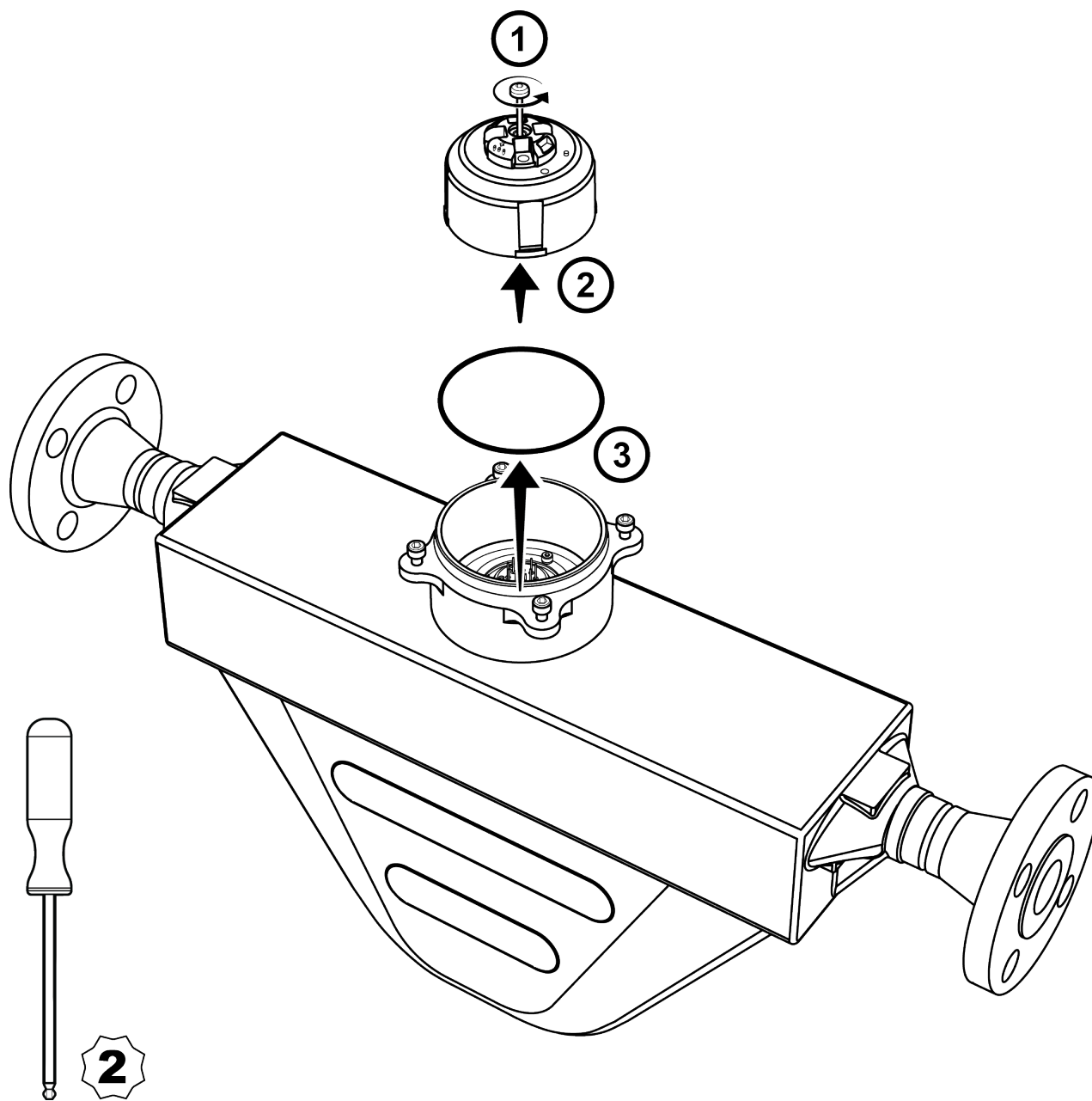
If your configuration has the camlock design shown above, you need a hardware upgrade before proceeding with this installation. Please contact [flow.support@emerson.com](mailto:flow.support@emerson.com) for further details.

---

1.



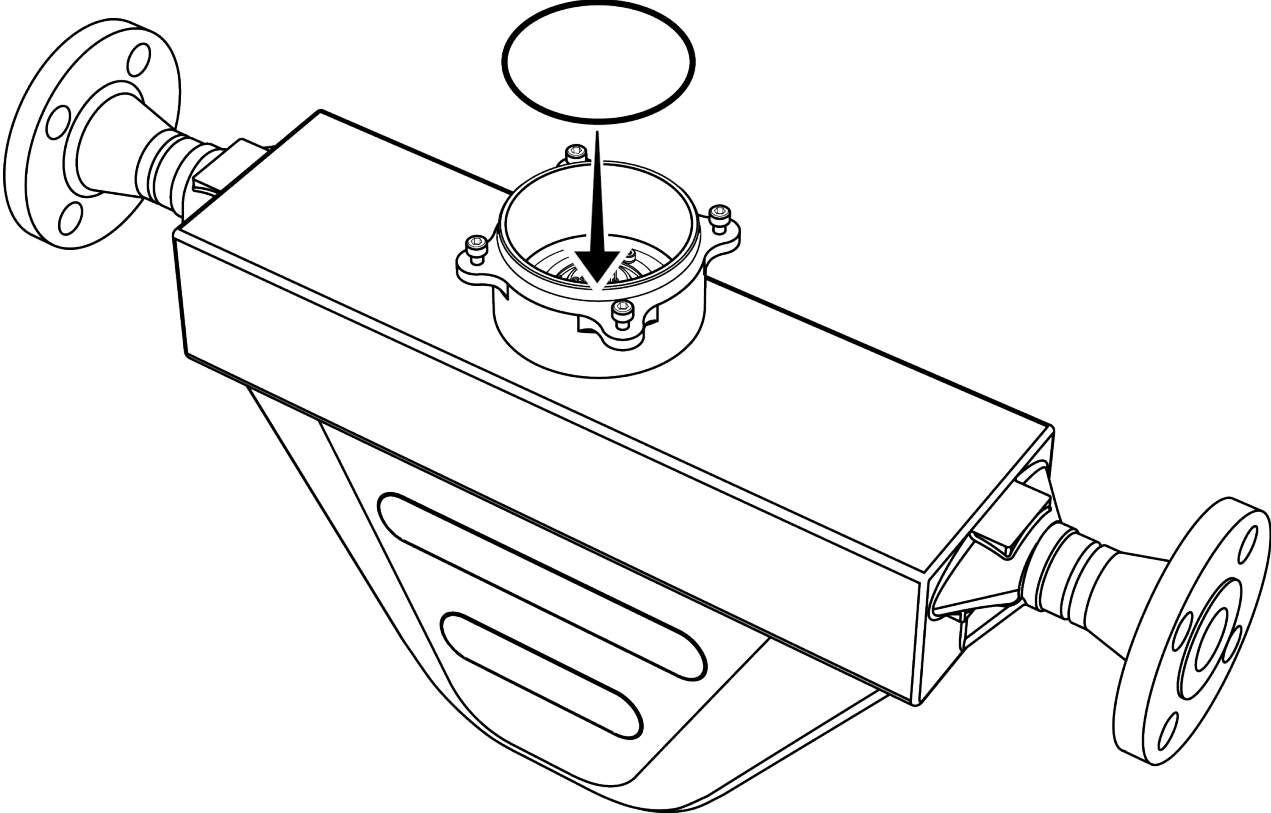
2.



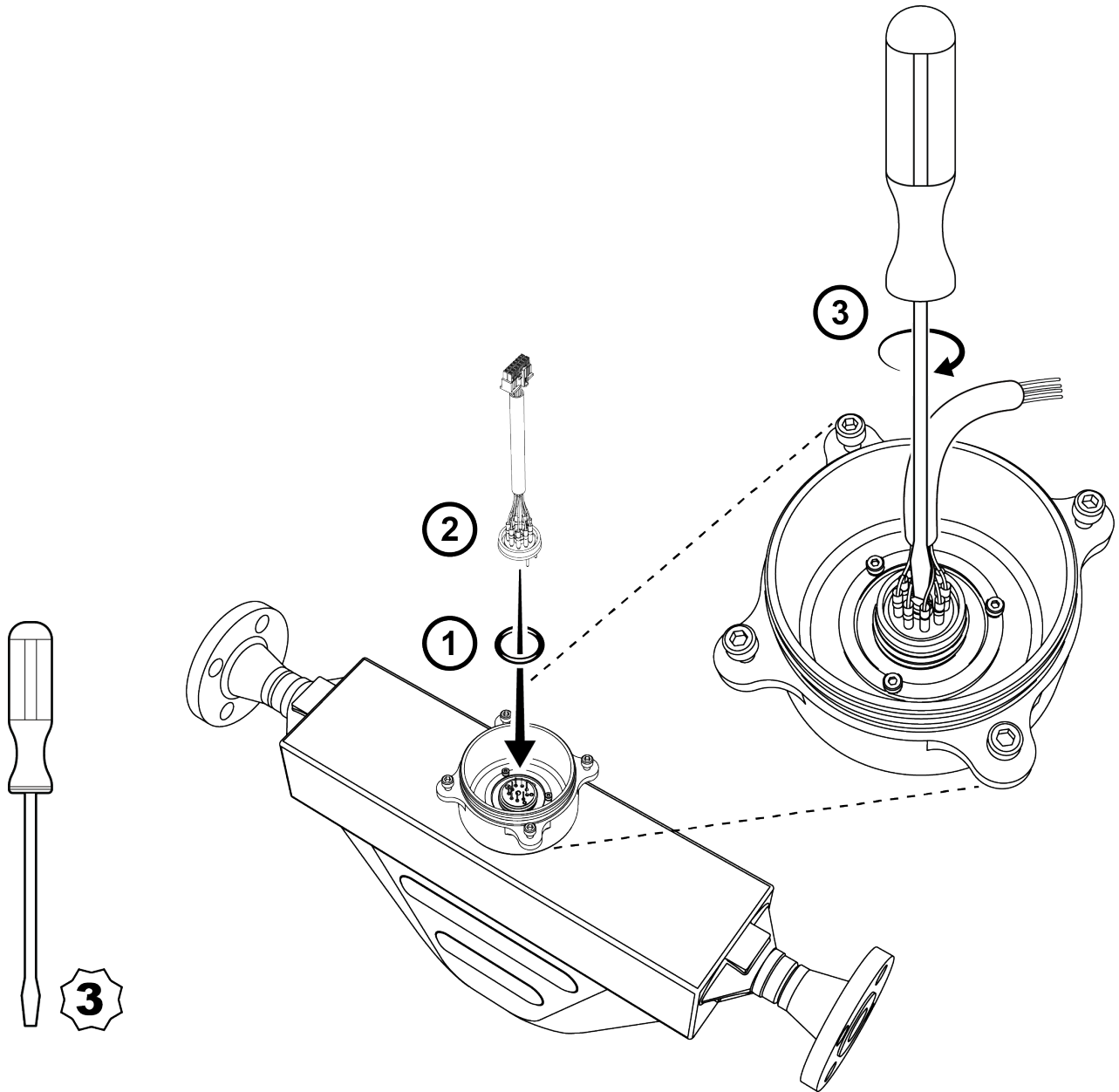
**Note**

Make sure you replace the existing O-ring with the O-ring provided with the transmitter retrofit kit.

3.

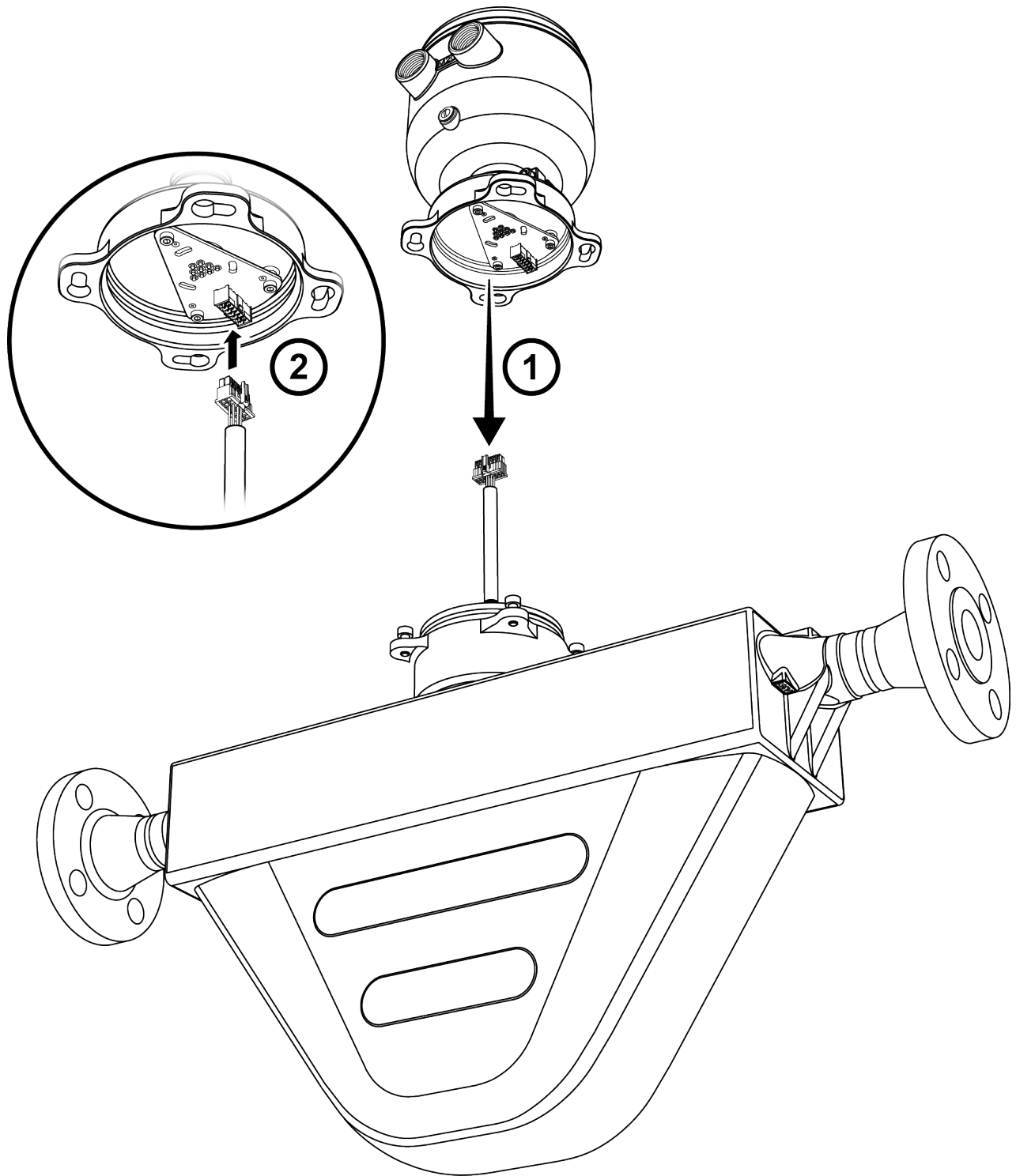


4.

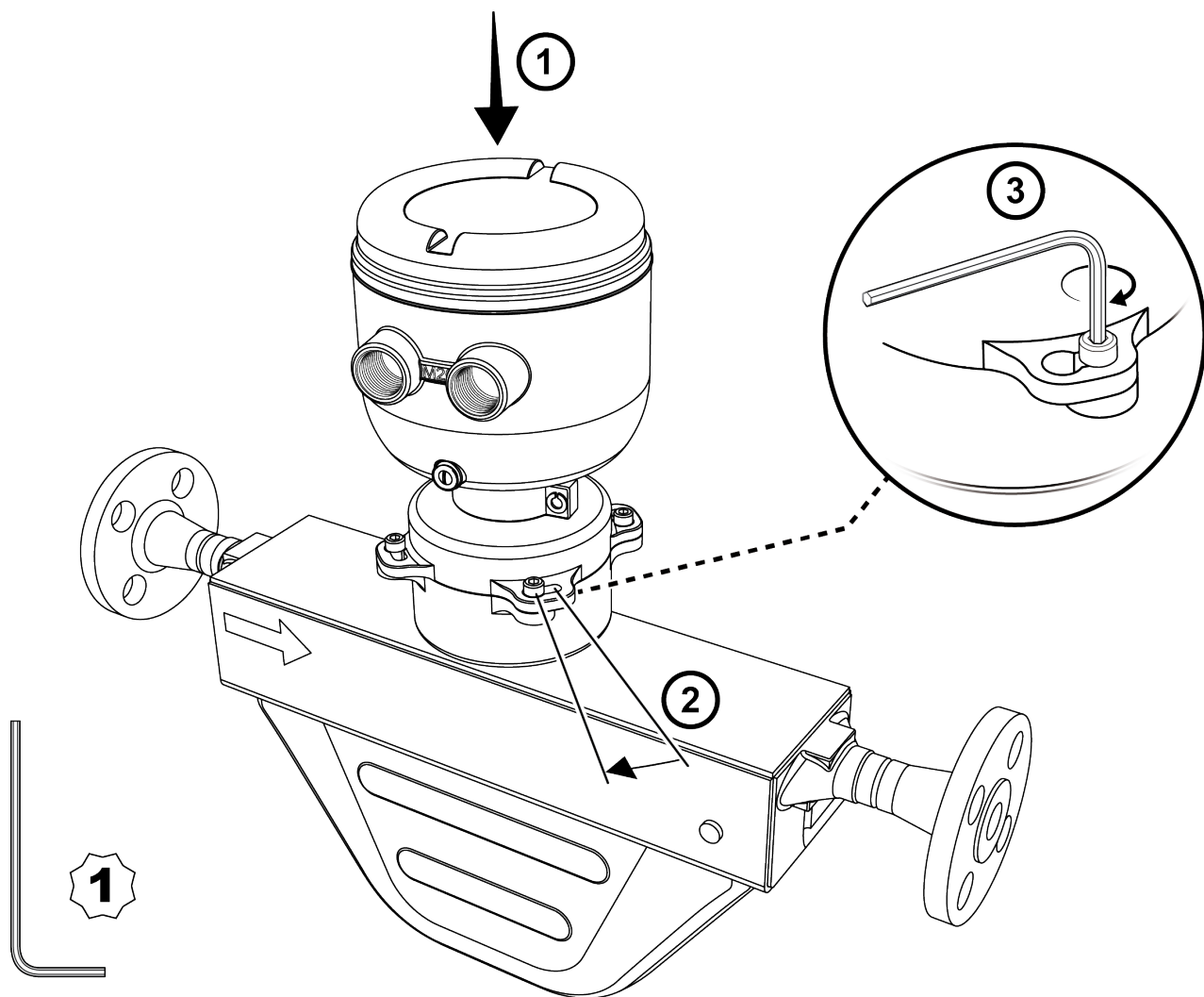




5.



6.







MS-00825-0400-1600

Rev. AC

June 2023

For more information: [Emerson.com](https://www.emerson.com)

©2023 Micro Motion, Inc. All rights reserved.

The Emerson logo is a trademark and service mark of Emerson Electric Co. Micro Motion, ELITE, ProLink, MVD and MVD Direct Connect marks are marks of one of the Emerson Automation Solutions family of companies. All other marks are property of their respective owners.

**MICRO MOTION™**

