

**RAP L10: Heavy Spring Replacement Procedure  
Pump Double Holding Combination**

05-09-11

HeavySpring-Inst.doc

**Pump Double Holding Combination**  
Heavy Spring Replacement Procedure

## RAP L10: Heavy Spring Replacement Procedure Pump Double Holding Combination

HeavySpring/Inst  
05-09-11

---

The purpose of this procedure is to guide the replacement of the heavy spring of the pump/DVH assembly.

**WARNING:** 1. Turn power gas off (bleed down the power storage tank if applicable).  
2. Leave valve in the open position for this procedure.



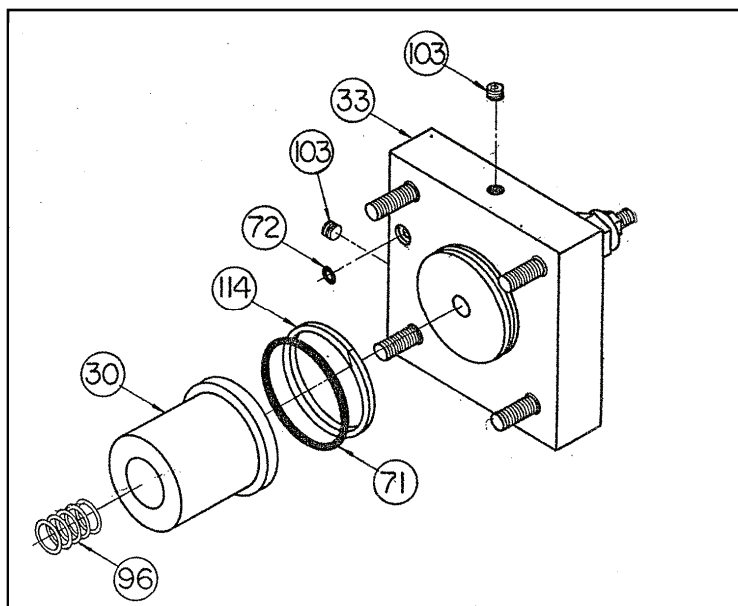
**Note:** The following instruction pertains to the CLOSING side (right side) of the Pump/DHV assembly

### Disassembly Procedure:

1. Remove (4) hex head cap screws.
2. Remove end cap item (33). Take caution while removing the end cap that O-Ring item (72) remains in place.
3. Remove spacer item (30).
4. Remove spring item (96) and discard.

### Spring Replacement and Reassembly Procedure

1. Install heavy spring into the poppet pin/poppet assembly.
2. Install spacer item (30).
3. Apply a small amount of assembly grease or oil to the end cap O-Ring (71) and (72) before re-installing the end cap item (33)
4. Install (4) hex head cap screws and tighten.



## **RAP L10: Heavy Spring Replacement Procedure Pump Double Holding Combination**

HeavySpring/Inst  
05-09-11

---

If any further information is required, please feel free to contact:

Emerson Process Management  
Valve Automation Inc.  
2500 Park Avenue West  
Mansfield, Ohio 44906

Phone: (419) 529-4311  
Fax (419) 529-3688

Please visit our website for up to date product data. [www.shafervalve.com](http://www.shafervalve.com)

All Rights Reserved

The contents of this publication are presented for informational purpose only, and while every effort has been made to ensure their accuracy, they are not to be construed as warranties or guarantees, express or implied, regarding the products or services described herein or their use or applicability. We reserve the right to modify or improve the designs or specifications of such products at any time with out notice.