

Serie SWN



AVENTICS™ Serie SWN

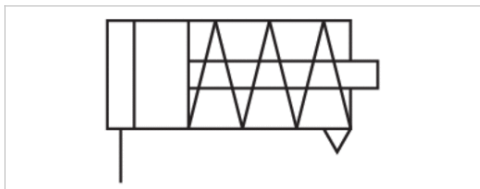

EMERSON

Einschraubzylinder, Serie SWN

- Federkraft [N] 2,1 ... 17,5
- Ø 6-16 mm
- einfachwirkend, drucklos eingefahren



Betriebsdruck min./max.	2 ... 8 bar
Umgebungstemperatur min./max.	-20 ... 80 °C
Mediumstemperatur min./max.	-20 ... 80 °C
Medium	Druckluft
Max. Partikelgröße	5 µm
Ölgehalt der Druckluft	0 ... 1 mg/m ³
Druck zur Bestimmung der Kolbenkräfte	6 bar
Federkraft min. - max.	Federkraft [N] min. - max. bezogen auf Kolben-Ø und Hub S entnehmen Sie bitte der Maßtabelle.
Gewicht	Siehe Tabelle unten



Technische Daten

Kolben-Ø	6 mm	10 mm	16 mm
Hub 5	0822406900	0822406910	0822406920
10	0822406901	0822406911	0822406921
15	0822406902	0822406912	0822406922

Technische Daten

Kolben-Ø	6 mm	10 mm	16 mm
Kolbenkraft ausfahrend	15 N	38 N	100 N

Technische Informationen

Der Drucktaupunkt muss mindestens 15 °C unter der Umgebungs- und Mediumstemperatur liegen und darf max. 3 °C betragen. Der Ölgehalt der Druckluft muss über die gesamte Lebensdauer konstant bleiben. Verwenden Sie ausschließlich von AVENTICS zugelassene Öle. Weitere Informationen finden Sie im Dokument „Technische Informationen“ (erhältlich im MediaCentre).

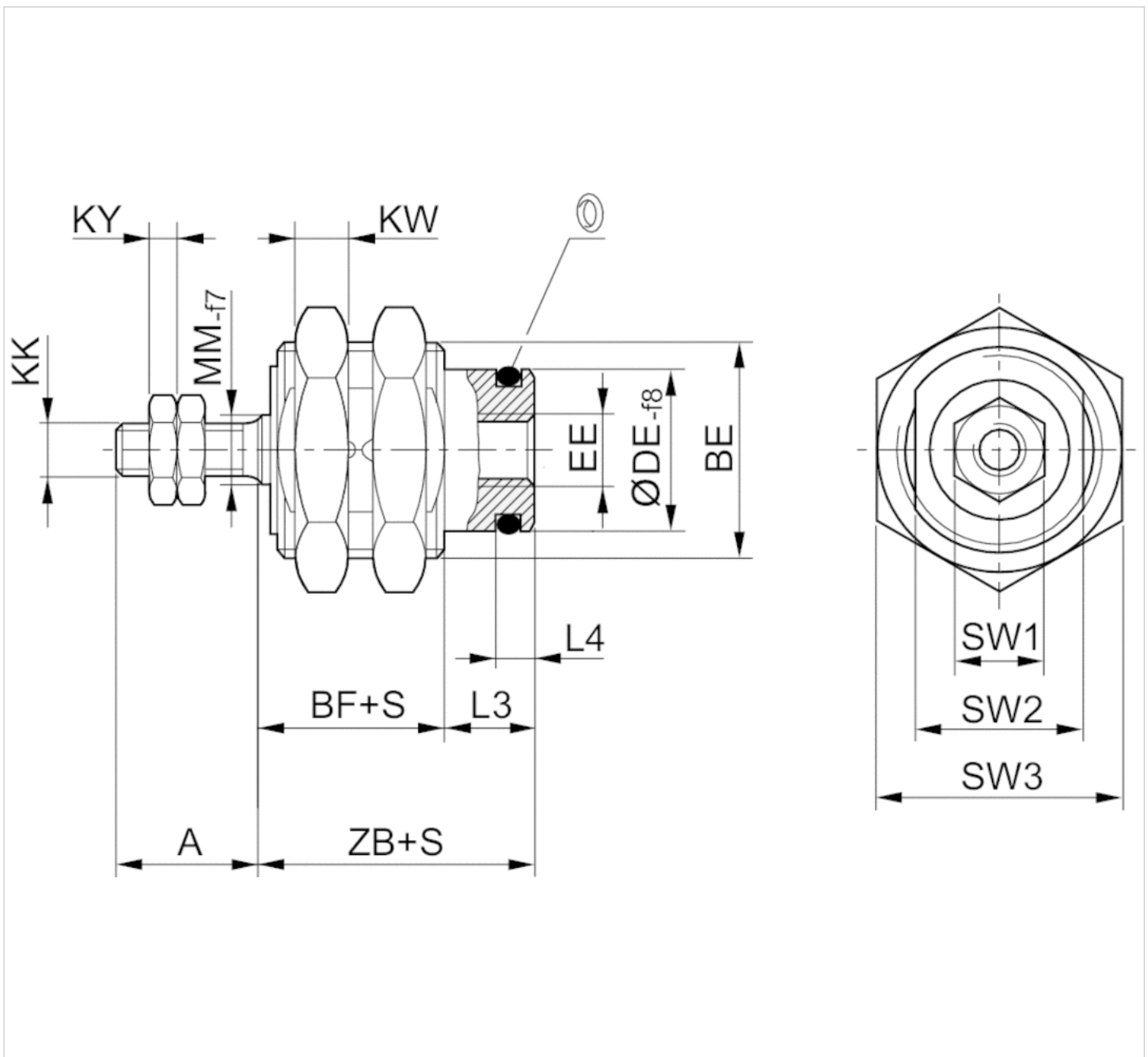
Technische Informationen

Werkstoff	
Zylinderrohr	Messing, vernickelt
Kolbenstange	Nichtrostender Stahl

Werkstoff	
Deckel vorne	Messing
Mutter für Kolbenstange	Stahl, verzinkt

Abmessungen

Abmessungen



S = Hub

Abmessungen

Kolben-Ø	S	A	BE	BF	DE 1)	Federkraft [N] min.	Federkraft [N] max.	EE	KK	KW	KY
6 mm	5	7	M10x1	8.5	7.6	2.4	4.4	M5	M3	3	2.3
6 mm	10	7	M10x1	10.5	7.6	2.1	5.8	M5	M3	3	2.3
6 mm	15	7	M10x1	12.5	7.6	2.3	5	M5	M3	3	2.3
10 mm	5	10	M16x1,5	9.5	12	5.8	9.2	M5	M4	6	3
10 mm	10	10	M16x1,5	11	12	4.1	7.7	M5	M4	6	3
10 mm	15	10	M16x1,5	13	12	3.9	8.3	M5	M4	6	3
16 mm	5	12	M22x1,5	12.8	18.5	14	17	M5	M5	5	3.8
16 mm	10	12	M22x1,5	13.8	18.5	11.5	16.5	M5	M5	5	3.8
16 mm	15	12	M22x1,5	15.3	18.5	8.5	17.5	M5	M5	5	3.8

Kolben-Ø	L3	L4	MM	SW1	SW2	SW3	ZB
6 mm	6	2.5	3	5.5	9	14	14.5
6 mm	6	2.5	3	5.5	9	14	16.5
6 mm	6	2.5	3	5.5	9	14	18.5
10 mm	7	3	5	7	14	22	16.5
10 mm	7	3	5	7	14	22	18
10 mm	7	3	5	7	14	22	20
16 mm	6.7	3.2	5	8	20	27	19.5
16 mm	6.7	3.2	5	8	20	27	20.5
16 mm	6.7	3.2	5	8	20	27	22

1) Empfohlene Aufnahmebohrung DE

Gewicht [kg]

Kolben-Ø	S	Gewicht kg
6 mm	5	0,01 kg
6 mm	10	0,01 kg
6 mm	15	0,011 kg
10 mm	5	0,018 kg
10 mm	10	0,02 kg
10 mm	15	0,022 kg
16 mm	5	0,04 kg
16 mm	10	0,043 kg
16 mm	15	0,046 kg

S = Hub

Efficient pneumatic solutions, our program: cylinders and drives, valves and valve systems, air supply management



Visit us: [Emerson.com/Aventics](https://www.emerson.com/Aventics)

Your local contact: [Emerson.com/contactus](https://www.emerson.com/contactus)



[Emerson.com](https://www.emerson.com)



[Facebook.com/EmersonAutomationSolutions](https://www.facebook.com/EmersonAutomationSolutions)



[LinkedIn.com/company/Emerson-Automation-Solutions](https://www.linkedin.com/company/Emerson-Automation-Solutions)



[Twitter.com/EMR_Automation](https://twitter.com/EMR_Automation)

An example configuration is depicted on the title page. The delivered product may thus vary from that in the illustration. Subject to change. This Document, as well as the data, specifications and other information set forth in it, are the exclusive property of AVENTICS GmbH. It may not be reproduced or given to third parties without its consent. Only use the AVENTICS products shown in industrial applications. Read the product documentation completely and carefully before using the product. Observe the applicable regulations and laws of the respective country. When integrating the product into applications, note the system manufacturer's specifications for safe use of the product. The data specified only serve to describe the product. No statements concerning a certain condition or suitability for a certain application can be derived from our information. The information given does not release the user from the obligation of own judgement and verification. It must be remembered that the products are subject to a natural process of wear and aging.

The Emerson logo is a trademark and service mark of Emerson Electric Co. Brand logotype are registered trademarks of one of the Emerson family of companies. All other marks are the property of their respective owners. © 2020 Emerson Electric Co. All rights reserved.
2020-12



CONSIDER IT SOLVED™