

Serie RG1



AVENTICS™ Serie RG1

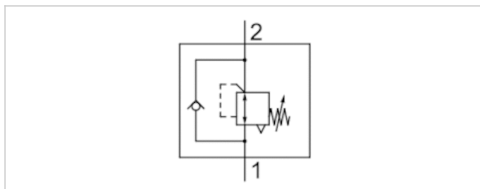


Serie RG1

- Qn 1►2 = 70 l/min
- Kolbenventil
- Kolben-Druckregler für Schalttafeleinbau



Bauart	Kolbenventil
Betriebsdruck min./max.	0 ... 10 bar
Regelbereich min./max.	1 ... 8 bar
Umgebungstemperatur min./max.	0 ... 60 °C
Mediumstemperatur min./max.	0 ... 60 °C
Medium	Druckluft
Gewicht	0,045 kg



Technische Daten

Materialnummer	Druckluftanschluss Eingang	Druckluftanschluss Ausgang	Durchfluss
			Qn 1►2
R412010705	M5	M5	70 l/min

Lieferung inkl. Befestigungsmutter aus Kunststoff

Technische Informationen

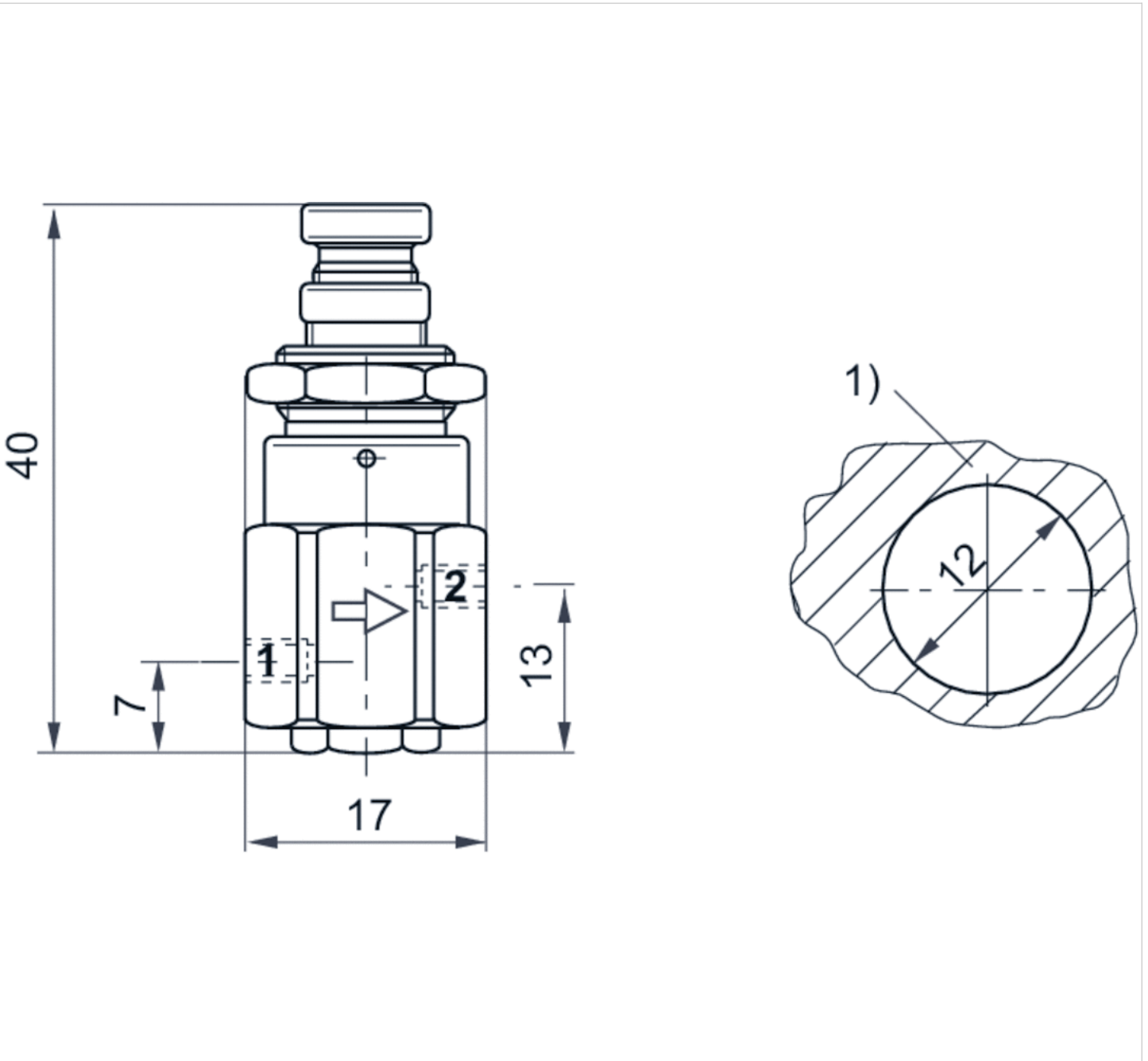
Der Drucktaupunkt muss mindestens 15 °C unter der Umgebungs- und Mediumstemperatur liegen und darf max. 3 °C betragen.

Technische Informationen

Werkstoff	
Gehäuse	Messing, vernickelt
Dichtungen	Nitril-Butadien-Kautschuk

Abmessungen

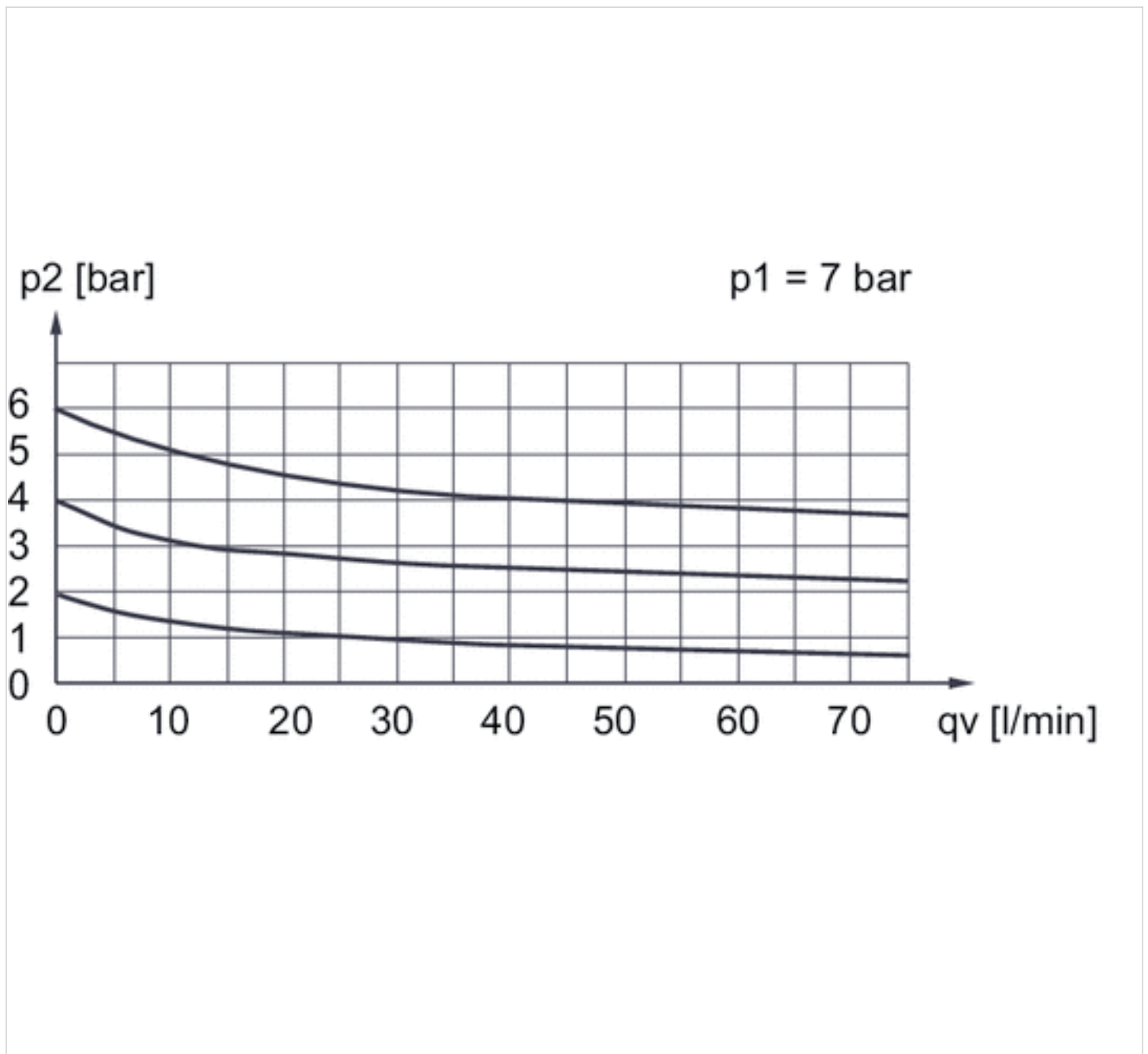
Abmessungen



1) Schalttafeleinbau

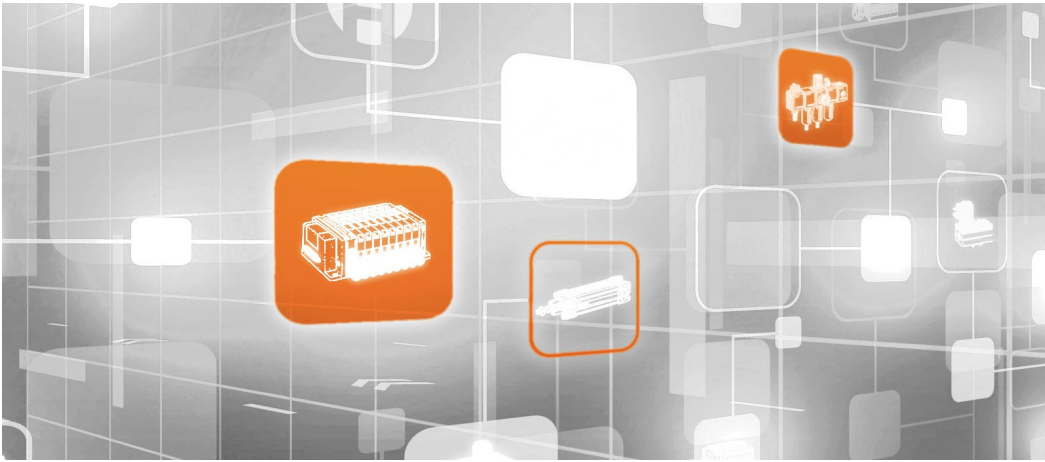
Diagramme

Durchflusscharakteristik



p1 = Betriebsdruck, p2 = Sekundärdruck, qv = Nenndurchfluss

Efficient pneumatic solutions, our program: cylinders and drives, valves and valve systems, air supply management



Visit us: [Emerson.com/Aventics](https://www.emerson.com/Aventics)

Your local contact: [Emerson.com/contactus](https://www.emerson.com/contactus)



[Emerson.com](https://www.emerson.com)



[Facebook.com/EmersonAutomationSolutions](https://www.facebook.com/EmersonAutomationSolutions)



[LinkedIn.com/company/Emerson-Automation-Solutions](https://www.linkedin.com/company/Emerson-Automation-Solutions)



[Twitter.com/EMR_Automation](https://twitter.com/EMR_Automation)

An example configuration is depicted on the title page. The delivered product may thus vary from that in the illustration. Subject to change. This Document, as well as the data, specifications and other information set forth in it, are the exclusive property of AVENTICS GmbH. It may not be reproduced or given to third parties without its consent. Only use the AVENTICS products shown in industrial applications. Read the product documentation completely and carefully before using the product. Observe the applicable regulations and laws of the respective country. When integrating the product into applications, note the system manufacturer's specifications for safe use of the product. The data specified only serve to describe the product. No statements concerning a certain condition or suitability for a certain application can be derived from our information. The information given does not release the user from the obligation of own judgement and verification. It must be remembered that the products are subject to a natural process of wear and aging.

The Emerson logo is a trademark and service mark of Emerson Electric Co. Brand logotype are registered trademarks of one of the Emerson family of companies. All other marks are the property of their respective owners. © 2020 Emerson Electric Co. All rights reserved.
2020-12



CONSIDER IT SOLVED™