

# Schnellentlüftungsventil



AVENTICS™ Schnellentlüftungsventil

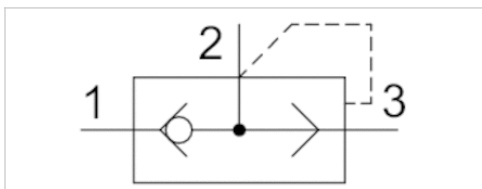


# Schnellentlüftungsventil

- Qn 1►2 = 1000-3500 l/min
- Qn 2►3 = 2050-7000 l/min
- Innengewinde / Innengewinde



Bauart	Sitzventil
Betriebsdruck min./max.	0,5 ... 10 bar
Umgebungstemperatur min./max.	0 ... 80 °C
Mediumtemperatur min./max.	0 ... 80 °C
Medium	Druckluft
Gewicht	Siehe Tabelle unten



## Technische Daten

Materialnummer	Anschluss 1 Eingang	Typ Anschluss 1	Anschluss 2 Ausgang	Typ Anschluss 2	Anschluss 3 Entlüftung
0821002003	G 1/4	Innengewinde	G 1/4	Innengewinde	G 3/8
0821002004	G 3/8	Innengewinde	G 3/8	Innengewinde	G 3/8
0821002002	G 1/2	Innengewinde	G 1/2	Innengewinde	G 3/4

Materialnummer	Typ Anschluss 3	Durchflusswert Qn 1►2	Durchflusswert Qn 2►3	Gewicht
0821002003	Innengewinde	1000 l/min	2050 l/min	0,11 kg
0821002004	Innengewinde	2050 l/min	2050 l/min	0,12 kg
0821002002	Innengewinde	3500 l/min	7000 l/min	0,3 kg

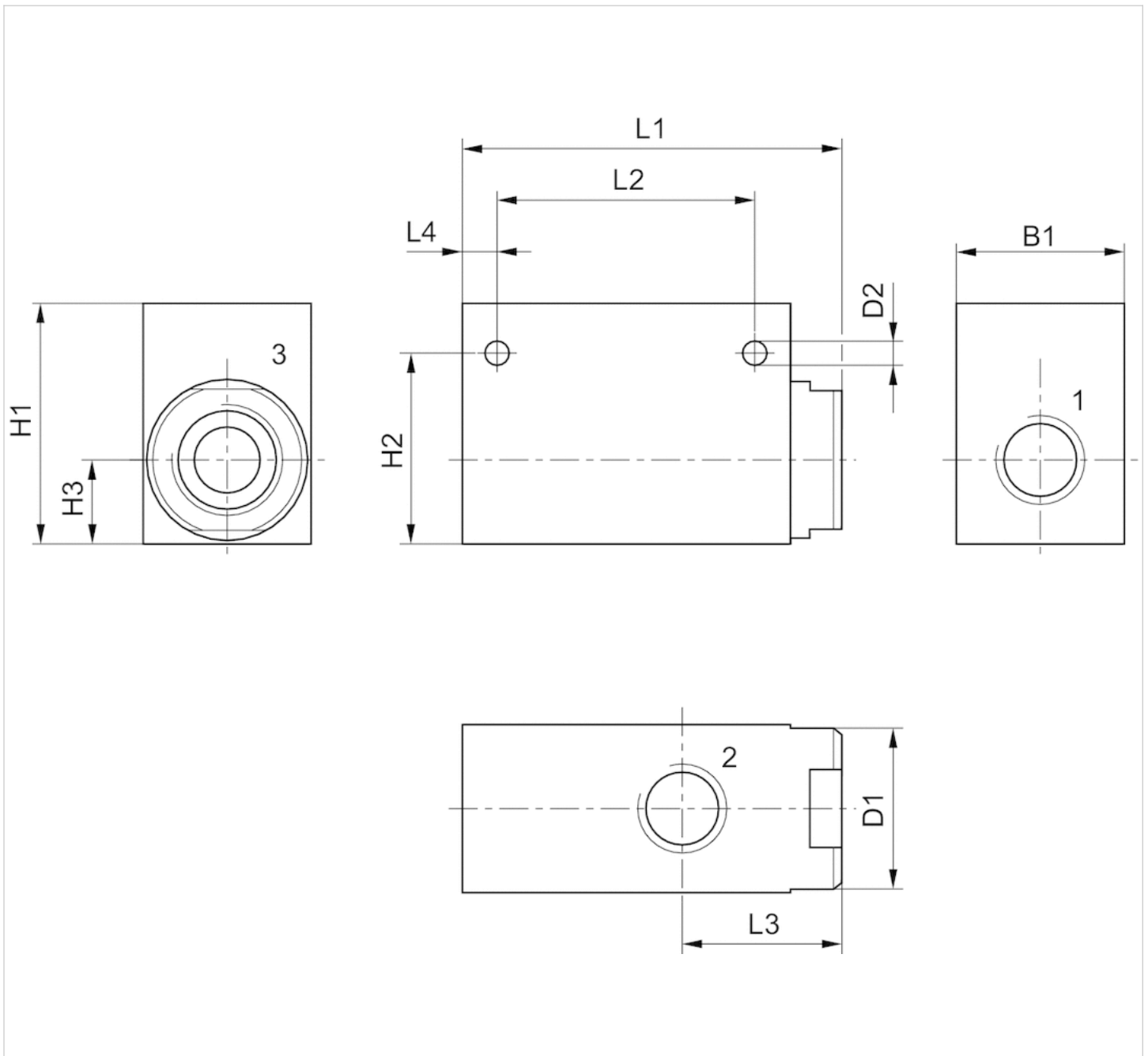
Nenndurchfluss Qn bei 6 bar und  $\Delta p = 1$  bar

## Technische Informationen

Werkstoff	
Gehäuse	Aluminium
Dichtungen	Acrylnitril-Butadien-Kautschuk

## Abmessungen

### Abmessungen



## Abmessungen

Materialnummer	Anschluss 1	Anschluss 2	Anschluss 3	B1	D1	D2	H1	H2	H3	L1	L2	L3
0821002003	G 1/4	G 1/4	G 3/8	25	25	5.5	36	30.2	13.2	62	38	26
0821002004	G 3/8	G 3/8	G 3/8	25	25	5.5	42	30.2	13.2	62	38	26
0821002002	G 1/2	G 1/2	G 3/4	44	40	6	55	43	21	78.5	50	34.5

Materialnummer	L4
0821002003	8.5
0821002004	8.5
0821002002	9

# Efficient pneumatic solutions, our program: cylinders and drives, valves and valve systems, air supply management



Visit us: [Emerson.com/Aventics](https://www.emerson.com/Aventics)

Your local contact: [Emerson.com/contactus](https://www.emerson.com/contactus)



[Emerson.com](https://www.emerson.com)



[Facebook.com/EmersonAutomationSolutions](https://www.facebook.com/EmersonAutomationSolutions)



[LinkedIn.com/company/Emerson-Automation-Solutions](https://www.linkedin.com/company/Emerson-Automation-Solutions)



[Twitter.com/EMR\\_Automation](https://twitter.com/EMR_Automation)

An example configuration is depicted on the title page. The delivered product may thus vary from that in the illustration. Subject to change. This Document, as well as the data, specifications and other information set forth in it, are the exclusive property of AVENTICS GmbH. It may not be reproduced or given to third parties without its consent. Only use the AVENTICS products shown in industrial applications. Read the product documentation completely and carefully before using the product. Observe the applicable regulations and laws of the respective country. When integrating the product into applications, note the system manufacturer's specifications for safe use of the product. The data specified only serve to describe the product. No statements concerning a certain condition or suitability for a certain application can be derived from our information. The information given does not release the user from the obligation of own judgement and verification. It must be remembered that the products are subject to a natural process of wear and aging.

The Emerson logo is a trademark and service mark of Emerson Electric Co. Brand logotype are registered trademarks of one of the Emerson family of companies. All other marks are the property of their respective owners. © 2020 Emerson Electric Co. All rights reserved.  
2020-12



**CONSIDER IT SOLVED™**