



Power Supply Accessories

SDN-PMBRK3* Panel Mount Brackets Installation Manual



* PLEASE NOTE: The SolaHD SDN-PMBRK2 Panel Mount Bracket has been obsoleted and has been replaced by the SolaHD SDN-PMBRK3 Panel Mount Bracket. Please contact SolaHD Technical Support for more information.

Technical Support

Appleton Grp LLC
9377 W. Higgins Road
Rosemont, IL 60018 USA

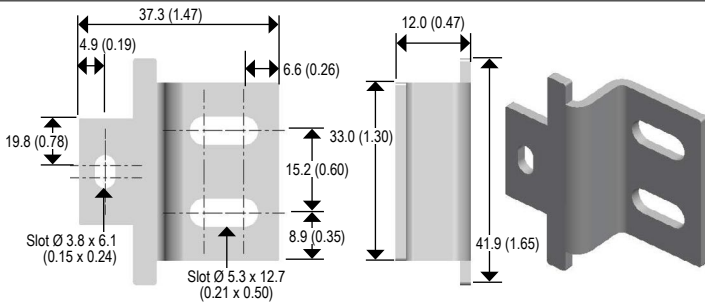
1-800-377-4384 • 1-847-268-6651
solaHD.technicalservices@emerson.com
www.solaHD.com

While every precaution has been taken to ensure accuracy and completeness in this manual, Appleton Grp LLC d/b/a Appleton Group assumes no responsibility, and disclaims all liability for damages resulting from use of this information or for any errors or omissions. Specifications are subject to change without notice.

P/N: A272-289 Rev. 3_11/2024
© 2024 Appleton Grp LLC d/b/a
Appleton Group. All rights reserved.

SOLAHD™

Dimensions in Millimeters (Inches)



SDN-PMBRK3 General Information

This set consists of two Panel Mount Brackets which replace the existing two Clips at the back of the unit.

SDN-PMBRK3 includes:

- Two (2) M3x8 mm Phillips screws
- Two (2) Panel Mount Brackets

SDN-PMBRK3 DOES NOT include:

- Four (4) 8-32x1/2" screws for mounting the unit to the panel
- Four (4) 8-32 flat washers

The SolaHD SDN-PMBRK3 is to be used with:

SDN-C and SDN-D Single Phase Series

SDN 5-24-100C, -XEPM
SDN 10-24-100C, -XEPM
SDN 16-12-100C
SDN 15-12-100C, -XEPM
SDN 20-24-100C, -XEPM
SDN 40-24-100C, -XEPM
SDN 10-24-100D, -DX
SDN 20-24-100D, -DX
SDN 40-24-100D, -DX

SDN-C 3-Phase and SDN RED Series

SDN 2X10RED, -XEPM
SDN 2X20RED, -XEPM
SDN 2X40RED, -XEPM
SDN 2.5-20RED
SDN 5-24-480C
SDN 10-24-480C
SDN 20-24-480C
SDN 40-24-480C

SDN-P Single Phase Series

SDN 2.5-24-100P
SDN 4-24-100LP
SDN 5-24-100P
SDN 5-48-100P
SDN 9-12-100P
SDN 10-24-100P

Surge Protection
STV25K10S
STV25K24S

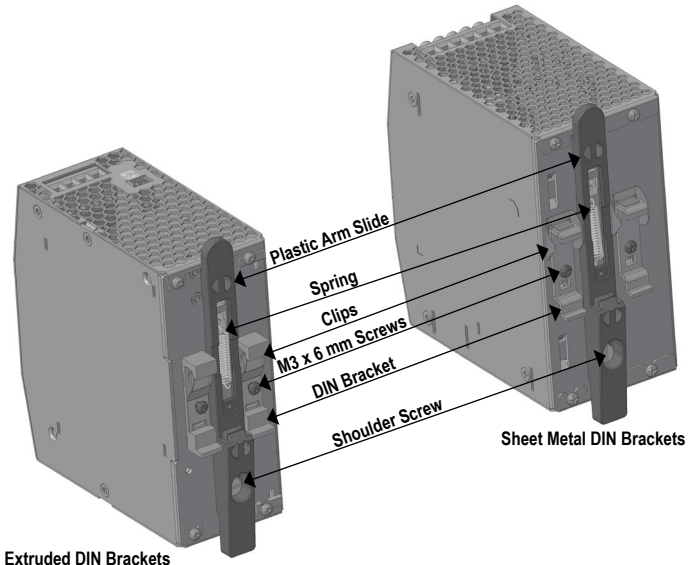
STFE Elite Series Tracking Filters

STFE03010N
STFE05010N
STFE10010N
STFE20010N
STFE03024L
STFE05024L
STFE10024L
STFE20024L

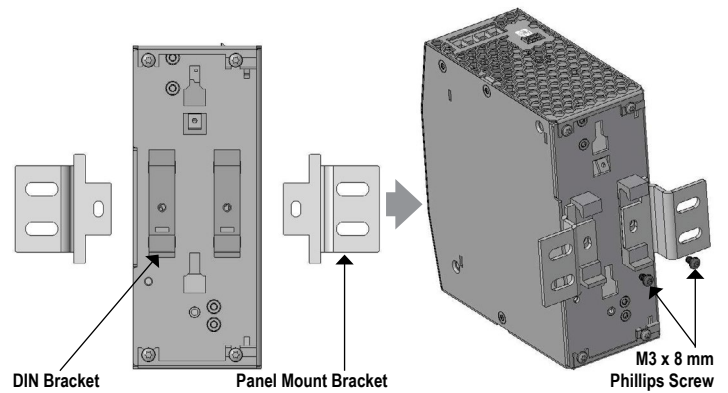
SDN-PMBRK3 Panel Mount Brackets Installation Instructions

▲ **CAUTION: Risk of Electric Shock and Personal Injury.** Ensure unit is disconnected from all power sources prior to installing the SDN-PMBRK3.

1. Remove the M3x6 mm Screws, Spring, Shoulder Screw, Plastic Arm Slide and Clips at the back of the unit.

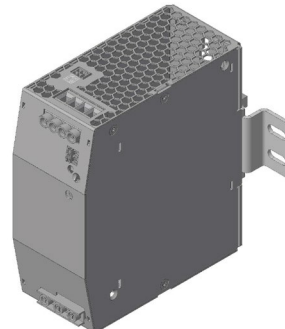


2. Retain / Slide the two DIN brackets back of the unit. Place the Panel Mount Bracket on top of the DIN Brackets. Use the DIN Bracket to align the Panel Mount Bracket in the mounting hole. Affix the Panel Mount Bracket using the included M3 x 8mm Phillip screw. Recommended torque is 6lbf-in (7kgf-cm).



SDN-PMBRK3 Assembled to PSU

3D View



Back View

