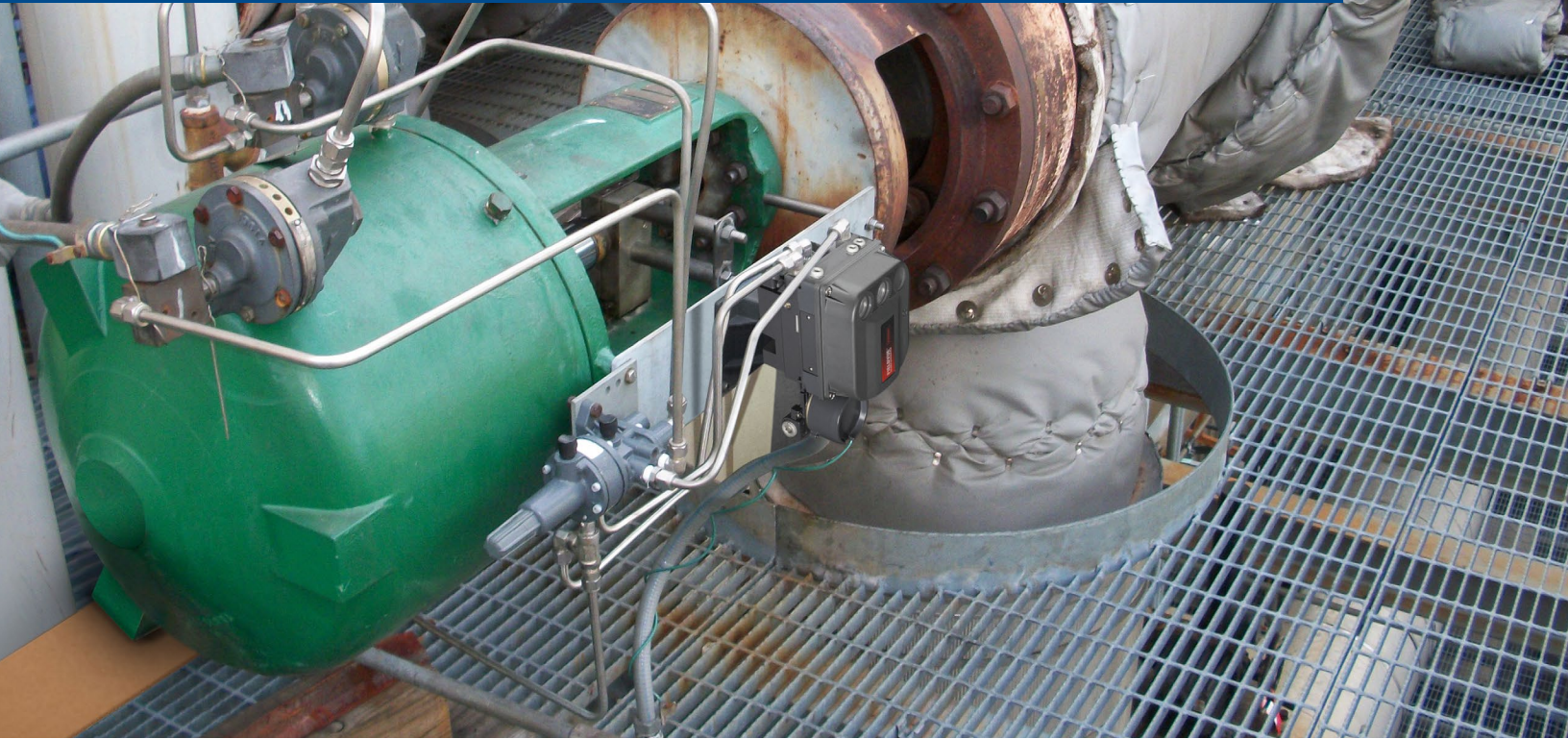


Identify Risks With a Turbine Bypass Valve Health Check



FISHER™

Do you know the overall health of your Critical Service Turbine Bypass Valve?

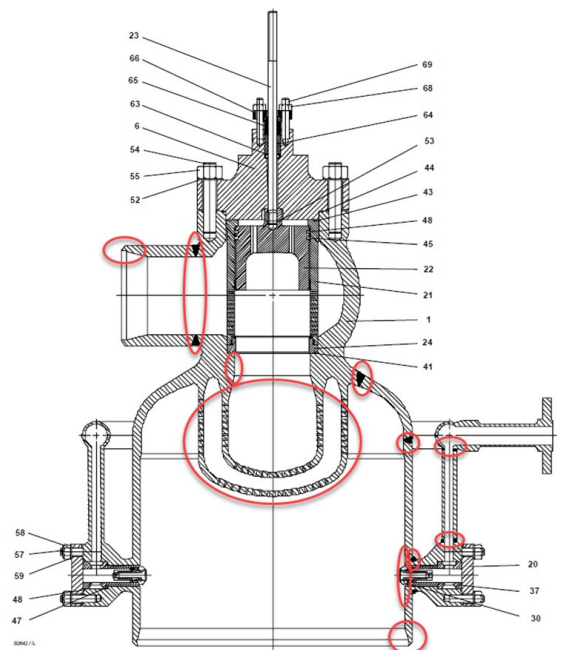
The importance of a health check on your turbine bypass valves.

As a power producer, you're facing dynamic times. You are likely cycling more often to meet load balancing requirements, optimize fuel costs, and accommodate renewables on the grid. These operating conditions create increased thermal and mechanical stresses on your valves. How much longer can your valves handle the thermal and mechanical stresses before you have major issues that will lead to financial losses?

What to look for and how to eliminate risks.

When was the last time your turbine bypass valve had a detailed inspection, inside and out? Are you aware of any thermal fatigue or tolerance issues? Work with your local Emerson sales office to create a Turbine Bypass Health Check to determine the health of your turbine bypass valves. Call today!

Contact your local Emerson sales office to learn about a Turbine Bypass Health Check.



EMERSON™