

ASCO	Installation and Maintenance Instructions Series 551 solenoid valves, brass body, or series 551-553, stainless steel body, 1/4", 1/2" thread or NAMUR interface	3/2 NC	GB
		5/2 - 5/3	

DESCRIPTION OF THE APPROVAL

Versions concerned by the approval (fig. 1 and 11):
Brass body (series 551) or stainless steel body (series 551, 553), monostable (spring return) or bistable, 3/2 NC (normally closed) function or 5/2, version isolated from the outside atmosphere. Versions with or without manual override.
- with threaded 1/4 (551) or 1/2 (553) ports - 551, with 1/4" threaded connection, max. port depth 11.5 mm. - (Do not connect the pressure supply to the exhaust port 3. The "environmentally-protected" construction is not adapted for a "distributing" function or use in NO function. Contact us for functions available in specific versions).
- with NAMUR interface for direct mounting to single acting (function 3/2 NC) or double acting (function 5/2) pneumatic actuators. The function of the valve is convertible from 3/2 NC to 5/2 by mounting the supplied 3/2 NC or 5/2 interface plate at the bottom of the valve (fig. 13a, 13b, ref. 1a and 1b). **551, max. 1/4" port depth = 11.5 mm. (Do not connect the pressure supply to the exhaust port 3. The "environmentally-protected" construction is not adapted for NO function. Contact us for functions available in specific versions).**
Connect pipes for the required functions in accordance with this documentation and the port markings on the product.
- Make sure no foreign matter enters the circuit to prevent blocking the valve function. Restrict the use of sealing tape or sealing matter to a minimum.
- These valves are intended for use with clean and dry air or inert gas. Recommended minimum filtration: 50 microns. The dew point of the fluid used must be at least -10°C (18°F) below the minimum temperature to which the fluid may be exposed. When using lubricated air, the lubricant must be compatible with the elastomers used. Instrument air in compliance with ANSI/ISA standard 57.3 (1975) exceeds the necessary requirements and is, therefore, an acceptable fluid for these valves.

△ All exhaust ports of the valves and pilots must be protected with the stainless steel exhaust protectors. Connect these exhaust protectors to port 3 (3/2 NC) or ports 3 - 5 (5/2) of the valves. When used outside, or stored for long periods of time, and/or where exposed to harsh environments (dusts, liquids etc.), exhaust protectors must be used. The reliability of the valve cannot be guaranteed if an exhaust protection other than that supplied is used.

- Allowable temperature range:
-40°C to +80°C (series 551); -40°C to +60°C (series 553).
- Max. operating pressure range:
-2 to 10 bar
-2 to 8 bar (ISSC/PISC/PISCIS/CFSCIS/CFDISCFVTVS)

GENERAL DESCRIPTION

ATEX 94/9/EC versions: See "Special conditions for safe use".
Versions isolated from atmosphere: The internal parts of the valve are isolated from the outside atmosphere in order to provide protection in aggressive environments. All the exhaust ports of the spool valve are pipable, providing better environmental protection, particularly recommended for sensitive areas such as clean rooms and applications in the pharmaceutical or food processing industries. It is necessary to connect pipes or fittings to the exhaust ports to protect the internal parts of the spool valve if used outside or in harsh environments (dusts, liquids etc.).

SPECIAL CONDITIONS FOR SAFE USE

ATEX 94/9/EC: The valve must be connected to ground (see "Assembly").
The maximum fluid temperature must not exceed the ambient temperature.
The spool valve must be kept in its original packaging as long as it is left unused. The protective covers must not be removed from the connection ports and solenoid operators.
Storage conditions: protected from exposure to weather; storage temperature: -40°C to +70°C; relative humidity: 95%
After storage at low temperature, the spool valves must gradually be brought to room temperature prior to pressurisation.
The spool valves are intended to be operated within the techni-

cal characteristics specified on the nameplate. Changes to the equipment are only allowed after consulting the manufacturer or its representative. **These solenoid spool valves are designed to operate with filtered air or neutral gas.** Do not exceed the maximum allowable pressure of the valve = 10 bar (or 8 bar with a Piezotropic pilot valve to ATEX Ex ia). Caution: Observe the minimum pilot pressure of 2 bar. Installation and maintenance of the valve must be carried out by qualified personnel only.

- **Standard IP65-rated air operated versions** or versions for use in explosive atmospheres caused by gases, vapours, mists or dusts according to **ATEX Directive 94/9/EC**. (The zone classification for this version is stated on the ATEX nameplate, ref. E1).
Safety code, series 551: **II 1 GD c T6 T85°C Ta -40°C to +65°C**
Safety code, series 553: **II 2 GD c T6 (T85°C) - T5 (T100°C)**
EC type-examination certificate no. (Series 551): **INERIS 03 ATEX 0219 X**
Compliance with the Essential Health and Safety Requirements has been assured by compliance with the European Standards **EN 13463-1** and **EN 13463-5**.

- **Solenoid-air operated versions** fitted with solenoid operators:
- IP65-rated or certified for use in explosive atmospheres according to ATEX Directive 94/9/EC.

- **Versions with solenoid operators with ASCO mounting pad, IP65-rated as standard, or for use in explosive atmospheres II 3D IP65/IP67 or ATEX Ex d, m, em, Ex ia (Series 551: II 1G/2D Ex ia IIC IP65/IP67 or E06.05.80: II 2G/D Ex ia IIC IP65/IP67).**

- **Versions with pilots with CNOMO E06.05.80 (size 30) or CNOMIC E06.35.120N (size 15) mounting pad, IP65-rated as standard, or mounting of pilots for use in explosive atmospheres according to ATEX Ex d or Ex ia (Caution CNOMO pilots):** The zone classification (ATEX 1999/92/7EC) is mainly defined by the indications on the nameplate fig. 10 and 20 (ref. E1 or E2) on the valve's body. Safety code according to ATEX Directive 94/9/EC: **II 1 GD c T6 T85°C Ta -40°C to +65°C**
EC type-examination certificate no.: **INERIS 03 ATEX 0219 X**
When assembling this product to a pilot to ATEX 94/9/EC, take the least favourable category and temperature into account. Compliance with the Essential Health and Safety Requirements has been assured by compliance with the European Standards **EN 13463-1** and **EN 13463-5**. The mounting position for the pilots as shown in figures 4/5/14/15/21/22/23/24 and the indicated tightening torques must be observed.
For solenoid operators and pilots to ATEX 94/9/EC, the instructions for use given in the specific Installation Instructions provided with the product must be strictly followed.

ASSEMBLY

- **△ ATEX 94/9/EC versions:** Make sure that all metal or conductive parts are always interconnected and connected to earth. The valve body is connected to earth with the fastening screw (ref. F).
The valves may be mounted in any position.

- **Threaded port versions 1/4 (fig 3a), 1/2 (fig 3b):**
Mount the valve with two screws (ref. 1) (not supplied).

- **Versions with NAMUR interface (fig. 13a, 13b):**
Before mounting the spool valve on the actuator, it must be set to the required function:
- Select the interface plate with corresponds to the required function: 3/2 NC or 5/2 (ref. 1a or 1b).
- Make sure the seal is properly seated (ref. 7).
- Mount the interface plate under the spool valve with the 2 supplied screws (ref. 8) and observe the mounting direction. Make sure the indication of the function is placed on the return side (polarising slot).
- Fit the two O-rings (ref. 9).
- Place the polarising pin on the actuator if necessary:
The polarising slot Ø 5 on the 3/2 interface plate is at A1. The polarising slot Ø 5 on the 5/2 interface plate is at A2.

3834901-A (A = R1) Availability, design and specifications are subject to change without notice. All rights reserved.

ASCO	Installation and Maintenance Instructions Series 551 solenoid valves, brass body, or series 551-553, stainless steel body, 1/4", 1/2" thread or NAMUR interface	3/2 NC	GB
		5/2 - 5/3	

PNEUMATIC CONNECTION (fig. 3a, 3b, 13a and 13b)
Depending on the version (3/2 NC or 5/2), one or both stainless steel exhaust protectors can be used (see fig. 2).

- **Connection of pneumatic pilot version:**
G 1/8 or NPT 1/8 or G 1/4 of NPT 1/4.
- **Connection of pilot exhausts**
The exhausts can be collected according to the version used.
- **Manual override**
Depending on the version, the products are supplied **with or without manual override** for operation without power. The manual override is indicated with the symbol (H) on fig. 4, 5, 14, 15, 21 to 24, and ref. 10 on fig. 3a, 3b, 13a, 13b. The impulse-type or maintained (push/turn type) manual override indicated by the symbol (H) on fig. 3a, 3b, 13a and 13b allows operation without power.

△ Prior to any putting into operation, make sure the manual override is returned to its disengage position "0" to prevent the risk of personal injury or damage to equipment.

- **Adaption to external pilot supply (fig. 3a, 3b, 13a at 13b, ref. 6)**

- **General recommendations for pneumatic connection**
Correctly support and align the pipes to prevent mechanical strain on the valve. When tightening, do not use the valve as a lever; locate wrenches as close as possible to connection point. To avoid damage to the equipment, DO NOT OVERTIGHTEN pipe connections.

- **Threaded 1/4 (fig 3a), 1/2 (fig 3b) port versions: Connection of the spool valve:**
Connect pipes as indicated on the label:
- **3/2 NC function:**
Pressure inlet at port 1 (1/4" or 1/2" thread). Pressure outlet at port 2. Exhaust at port 3 (1/4" or 1/2" thread).
- **5/2 function:**
Pressure inlet at port 1. Pressure outlet at ports 2 and 4. The exhausts are channelled through the valve to ports 3 and 5.

- **Versions with NAMUR interface (fig. 13a, 13b): Connection of the spool valve:**
Connect pipes as indicated on the label:

- **3/2 NC function:**
Pressure inlet at port 1 (1/4" or 1/2" thread). Pressure outlet at port 2. Exhaust at port 3. (brass body: 1/8"; stainless steel body: 1/4" or 1/2" thread).
Exhaust from the return spring chambers of the single acting actuator is channelled through the spool valve to port 3. It is recommended to protect port 5 (if not used). **Do not seal it.**
- **5/2 function:**
Pressure inlet at port 1 (1/4" or 1/2" thread). Pressure outlet at ports 2 and 4. The exhausts are channelled through the valve to ports 3 and 5 (brass body: 1/8"; stainless steel body: 1/4" or 1/2" thread).

- **Connection of exhaust reducers (brass body)**
Series 551 spool valves are supplied as ordered with or without miniature 1/8" exhaust reducers, suffix M (fig. 13a). These adjustable mini exhaust reducers are used to adjust the actuator's operating speed. They can also be connected (1/8 thread) to collect the exhausts.
Assembly / Adjustment (fig. 3a):
Version 3/2 NC = 1 exhaust reducer to be fitted to port 3
Version 5/2 = 2 exhaust reducers to be fitted to ports 3 and 5
Engage the screw (4) on the reducer into the hole and screw it in until it stops; next turn it out to increase the exhaust flow (**never more than two turns**, max. flow obtained at one turn).
Tighten the locknut (4a) with a 13 mm wrench.

Make rough adjustment before pressurisation and fine-tune after pressurisation.

ELECTRICAL CONNECTION

- **Version with solenoid operators with ASCO interface:**
See additional installation instructions supplied with every solenoid operator.
IP65-rated solenoid operator (fig. 3a, 3b and 13a, 13b): Mount the coil on the tube (rotatable through 360°) and then the removable ISO 4400/EN 175101-803A connector (cable dia 6-10 mm) rotatable by 90° (3 pins: 2 + earth).
- **Version with CNOMO pad mounting:** See additional installation instructions supplied with every pilot valve.
- **General recommendations:**
Electrical connections must be made by qualified personnel and according to applicable local standards and regulations. Please note:
- Before starting any work, turn off the electrical current to power off the components.
- Depending on the voltage, electrical components must be grounded according to local standards and regulations. Most valves are equipped with coils designed for continuous duty. To prevent the risk of personal injury, do not touch the solenoid operator which can become hot under normal operating conditions. If the valve is easily accessible, the installer must provide for protection against accidental contact of the solenoid operator.

MAINTENANCE

- **△ Prior to any maintenance work or putting into operation, power off, depressurise and vent the valve to prevent the risk of personal injury or damage to equipment.**
ATEX versions: Strictly follow all procedures recommended by Directive 99/92/EC and associated standards.

- **Cleaning**
Maintenance of the valves depends on the operating conditions. They must be cleaned at regular intervals. During servicing, the components must be checked for excessive wear. The components must be cleaned when a slowing down of the cycle is noticed even though the pilot pressure is correct or if any unusual noise or a leak is detected.

- **Sound emission**
The exact determination of the sound level can only be carried out by the user having the valve installed in his system. The emission of sound depends on the application, fluid and type of equipment used.

- **Preventive maintenance**
- Operate the valve at least once a month to check its function.
- If problems arise during maintenance or in case of doubt, please contact us or one of our authorised representatives.

- **Troubleshooting**
- Incorrect outlet pressure: Check the pressure on the supply side of the valve; it must correspond to the values indicated on the nameplate.
Caution: observe the minimum pilot pressure value 2 bar.
To avoid personal injury or damage to equipment, check that the valve operates correctly before putting it back into operation.

- **Spare parts**
Coils are available as spare parts.
If necessary, replace the entire valve.

ASCO	Instructions de mise en service et d'entretien Distributeurs Série 551, corps laiton ou Séries 551-553, corps acier inox tarudé 1/4, 1/2 ou à plan de pose NAMUR	3/2 NF	FR
		5/2 - 5/3	

DESCRIPTION DE LA CERTIFICATION
Versions concernées par cette mise en service (fig 1 et 11) :
Corps laiton (Série 551) ou acier inox (Séries 551, 553), monostable (rappel ressort) ou bistable, version 3/2 NF (normalement fermée) ou 5/2, versions étanches par rapport à l'atmosphère. Versions sans ou avec commande manuelle :

- à raccordement tarudé 1/4 (551) ou 1/2 (553) - 551, profondeur maxi des orifices de raccordement 11,5 mm (Ne pas raccorder l'alimentation de pression à l'orifice 3 d'échappement. La construction "étanche à l'atmosphère" n'est pas adaptée pour la fonction "distributrice" et une utilisation en fonction NO. Fonctions disponibles en version spécifique, nous consulter).
- à plan de pose suivant recommandation type NAMUR pour adaptation directe sur actionneur pneumatique simple effet (fonction 3/2 NF) ou double effet (fonction 5/2). Un même distributeur s'adapte aux deux types de commande par mise en place à la partie inférieure de l'une des deux plaques interface 3/2 NF ou 5/2 fournies (fig. 13a, 13b, rep. 1a et 1b). 551, 1/4, profondeur maxi des orifices de raccordement 11,5 mm (Ne pas raccorder l'alimentation de pression à l'orifice 3 d'échappement. La construction "étanche à l'atmosphère" n'est pas adaptée pour la fonction NO. Fonctions disponibles en version spécifique, nous consulter).
- Raccorder les tuyauteries suivant les fonctions souhaitées en tenant compte des repères d'orifices marqués sur le produit et dans cette documentation.
- Veiller à ce qu'aucun corps étranger ne pénètre dans le circuit afin d'éviter tout blocage de la vanne. Limiter l'utilisation de ruban ou pate d'étanchéité.
- Ces distributeurs et électrodistributeurs doivent être utilisés que sur air, propre et sec, ou un gaz neutre. Filtration minimale recommandée 50 microns. Le point de rosé du fluide utilisé doit être au minimum de -10°C (18°F) en dessous de la température minimale à laquelle le fluide peut être soumis. En cas d'utilisation d'air lubrifié, le lubrifiant doit être compatible avec les élastomères utilisés. La qualité "air instrument" définie par la norme ANSI/ISA S7.3 (1975) est supérieure aux exigences requises et constitue de fait, un "media" acceptable pour ces vannes.

⚠ Protéger les orifices d'échappement des distributeurs et des pilotes au moyen des protecteurs d'échappement en acier inox. Pour le distributeur, raccorder ces protecteurs au port 3 (3/2 NF) ou aux ports 3 - 5 (5/2). En ambiance extérieure, stockage prolongé, et/ou en présence de poussières, liquides et agents présents dans l'environnement, la présence de protecteurs d'échappement est impérative. La fiabilité de la vanne ne sera pas garantie en cas d'utilisation d'un moyen de protection des échappements différent que ceux préconisés.

- Plage de température autorisée :
-40°C à +80°C série 551 ; -40°C à +60°C série 553
- Plage de pression maximale de fonctionnement :
- 2 à 10 bar
- 2 à 8 bar (ISSC/PISC/PISCIS/CFSCIS/CFDIS/CFVTIS)

DESCRIPTION GENERALE
Versions ATEX 94/9/CE : Voir "conditions spéciales pour une utilisation sûre".
Versions étanches par rapport à l'atmosphère : Les composants internes du distributeur sont isolés de l'atmosphère extérieure, le protégeant ainsi de tout environnement agressif. Tous les orifices d'échappements étant canalisés, ils assurent une meilleure protection de l'environnement, particulièrement recommandée pour les installations en zones sensibles telles que salles blanches, industries pharmaceutiques ou agro-alimentaires. Il est nécessaire de canaliser ou d'équiper les échappements pour protéger les composants internes du distributeur dans le cas d'utilisation à l'extérieur ou en environnement difficile (poussières, liquides ou autres agents).

CONDITIONS SPECIALES POUR UNE UTILISATION SURE
 ATEX 94/9/CE : Le distributeur doit être relié à la terre (Voir Montage). La température maximale du fluide ne doit pas excéder la température ambiante.
 En cas de stockage prolongé avant mise en service, le

distributeur doit rester dans son emballage d'origine. Les éléments de protection des orifices de raccordement et des têtes magnétiques doivent rester en place.
 Conditions de stockage : à l'abri des intempéries; température : -40°C à +70°C; humidité relative : 95 %
 Après stockage à basse température, les distributeurs doivent être remis progressivement à la température ambiante de fonctionnement avant la première mise sous pression. Les distributeurs sont conçus pour les domaines de fonctionnement indiqués sur la plaque signalétique. Aucune modification ne peut être réalisée sur le matériel sans l'accord préalable du fabricant ou de son représentant. Ces distributeurs sont prévus pour fonctionner sur air ou gaz neutres filtrés. Ne pas dépasser la pression maximale admissible = 10 bar (ou 8 bar avec pilote piézoélectrique/302/195 ATEX Ex ia). Respecter la valeur minimale de pression de pilotage de 2 bar. La mise en service et l'entretien de ces produits doivent être réalisés par un personnel compétent.

• Versions à commande pneumatique standard IP65 ou prévues pour atmosphères explosibles sous forme de gaz, vapeurs, brouillards et poussières selon la directive ATEX 94/9/CE. (Le classement en zone de cette version est définie par l'étiquette ATEX, rep.E1).
 Mode de protection, série 551 : II 1 GD c T6 T85°C Ta -40°C à +65°C
 Mode de protection, série 553 : II 2 GD c T6 (T85°C) - T5 (T100°C)
 Attestation d'examen CE de type (série 551) : INERIS 03 ATEX 0219 X
 Le respect des exigences essentielles en ce qui concerne la sécurité et la santé est assuré par la conformité aux normes européennes EN 13463-1 et EN 13463-5.

• Versions à commande électropneumatique équipées de têtes magnétiques :
 - étanchés IP65 ou certifiées pour atmosphères explosibles selon la Directive ATEX 94/9/CE

- Versions têtes magnétiques selon plan de pose ASCO standard IP65 ou pour atmosphères explosibles, II 3D IP65/IP67 ou ATEX Ex d, m, em, Ex ia (série 551 : II 1G/D Ex ia IIC IP65/IP67 ou série 553 : II 2G/D Ex ia IIC IP65/IP67).

- Versions à pilotes, selon plan de pose CNOMO E06.05.80 (taille 30) ou CNOMO E06.36.120N (taille 15), standard IP 65 ou montage de pilotes pour atmosphères explosibles ATEX, Ex d ou Ex ia.
Attention (pilotes CNOMO) : Le placement en zones (ATEX 1999/92/CE), est défini prioritairement par le marquage indiqué sur l'étiquette fig.10 et 20 (rep. E1 ou E2) placée sur le corps du distributeur. Mode de protection, selon ATEX 94/9/CE : I GD c T6 T85°C Ta -40°C à +65°C.
 Attestation d'examen CE de type : INERIS 03 ATEX 0219 X

Prendre en compte la catégorie, les pressions de fonctionnement et la température la moins favorable lors d'un assemblage avec un pilote ATEX 94/9/CE. Le respect des exigences essentielles en ce qui concerne la sécurité et la santé est assuré par la conformité aux normes européennes EN 13463-1 et EN 13463-5. Respecter le sens de montage des pilotes indiqué par les figures 4/5/14/15/21/22/23/24 et les couples de serrage indiqués.

Pour les têtes magnétiques et pilotes ATEX 94/9/CE, suivre impérativement les prescriptions d'utilisation décrites dans chaque notice de mise en service spécifique fournie avec le produit.

MONTAGE

⚠ Versions ATEX 94/9/CE : S'assurer que toutes les parties métalliques ou conductrices soient toujours interconnectées et reliées à la terre. La liaison à la terre du corps de distributeur se fait par montage de la vis de fixation (rep. F). Les distributeurs peuvent être montés dans n'importe quelle position.
Versions tarudés 1/4 (fig. 3a) 1/2 (fig. 3b) :
 Monter le distributeur à l'aide de deux vis (rep. 1), non fournies.
Versions à plan de pose NAMUR (fig. 13a, 13b) :
 Avant montage du distributeur sur l'actionneur, adapter l'appareil à la fonction souhaitée :
 - Sélectionner la plaque interface correspondant à la fonction nécessaire 3/2 NF ou 5/2 (rep.1a ou 1b).

ASCO	Instructions de mise en service et d'entretien Distributeurs Série 551, corps laiton ou Séries 551-553, corps acier inox tarudé 1/4, 1/2 ou à plan de pose NAMUR	3/2 NF	FR
		5/2 - 5/3	

- S'assurer de la présence et de la mise en place correcte du joint de forme (rep.7).
- Assembler la plaque sous le distributeur à l'aide des 2 vis (rep.8) fournies, en respectant le sens de montage : le repère de fonction doit être placé coté rappel (détrompeur).
- Monter les deux joints toriques (rep.9).
- Placer, si nécessaire, le pion de détrompage sur l'actionneur:
- Sur la plaque 3/2, le trou de détrompage Ø 5 se situe en A1.
- Sur la plaque 5/2, le trou de détrompage Ø 5 se situe en A2.

RACCORDEMENT PNEUMATIQUE (fig. 3a, 3b, 13a et 13b)
 Selon la version 3/2 NF ou 5/2, un ou deux protecteurs d'échappement en acier inox peuvent être adapté(s), voir fig. 2.

- **Raccordement du pilotage version pneumatique :** G 1/8 ou NPT 1/8 ou G 1/4 ou NPT 1/4.
- **Raccordement des échappements de pilotage** Possibilité de collecter les échappements selon les versions.
- **Commande manuelle**
 Selon les versions les produits sont fournis sans ou avec une commande manuelle, pour fonctionnement hors tension.. Elle est signalée par le symbole (H), sur les fig. 4, 5, 14, 15, 21 à 24, et par le rep. 10, sur les fig. 3a, 3b, 13a, 13b. La commande manuelle à impulsion ou à position maintenue (type pousser/turner), signalée par le symbole (H) sur les fig. 3a, 3b, 13a et 13b, permet le fonctionnement hors tension.

⚠ Avant toute opération de remise en marche, valider le retour en position "0" (non-enclenchée) de la commande manuelle, pour prévenir tout risque d'accident corporel ou matériel.

- **Adaptation en alimentation externe du pilotage** (fig.3a, 3b, 13a et 13b, rep.6)
- **Recommandations générales pour raccordement pneumatique**
 Soutenir et aligner correctement les tuyauteries pour éviter toute contrainte mécanique sur le distributeur. Au serrage, ne pas se servir de l'appareil comme d'un levier; Positionner les clés de serrage aussi près que possible du point de raccordement. Afin d'éviter toute détérioration, NE PAS TROP SERRER les raccords des tuyauteries.
- **Versions tarudés 1/4 (fig. 3a), 1/2 (fig. 3b) :**
Raccordement du distributeur :
 Raccorder les tuyauteries en fonction des repères indiqués sur l'étiquette.
- Fonction 3/2 NF :
 Arrivée de pression par l'orifice 1 (1/4 ou 1/2). Utilisation par l'orifice 2. Echappement par l'orifice 3 (1/4 ou 1/2)
- Fonction 5/2 :
 Arrivée de pression par l'orifice 1. Utilisation par les orifices 2 et 4.
 Les échappements sont canalisés vers les orifices 3 et 5.

- **Versions à plan de pose NAMUR (fig 13a, 13b) :**
Raccordement du distributeur :
 Raccorder les tuyauteries en fonction des repères indiqués sur l'étiquette.
- Fonction 3/2 NF :
 Arrivée de pression par l'orifice 1 (1/4 ou 1/2). Utilisation par l'orifice 2. Echappement par l'orifice 3 (corps laiton : 1/8 ; corps acier inox : 1/4 ou 1/2).
 L'échappement des chambres des ressorts de rappel de l'actionneur simple effet est canalisé au travers du distributeur vers l'orifice 3 raccordable. Il est recommandé de protéger l'orifice 5 (non utilisé) tout en évitant de l'obturer.

- **Fonction 5/2 :**
 Arrivée de pression par l'orifice 1 (1/4 ou 1/2). Utilisation par les orifices 2 et 4.
 Les échappements de l'actionneur sont canalisés au travers du distributeur vers les orifices 3 et 5 (corps laiton : 1/8 ; corps acier inox : 1/4 ou 1/2).

- **Raccordement des réducteurs d'échappement (corps laiton)**
 Suivant la demande, les distributeurs série 551 sont fournis sans ou avec réducteurs d'échappement miniatures 1/8, suffixe M (fig. 13a).
 Ces mini-réducteurs d'échappement réglables permettent

d'adapter la vitesse de manoeuvre de l'actionneur. Ils sont également raccorderables (filetage 1/8) pour collecter les échappements.
 Montage / Réglage (fig. 13a) :
 Version 3/2 NF = 1 réducteur à adapter sur l'orifice 3
 Version 5/2 = 2 réducteurs à adapter sur les orifices 3 et 5
 Serrer dans l'orifice la vis (4) du réducteur jusqu'en butée, puis dévisser pour augmenter le débit d'échappement sans jamais dépasser 2 tours (débit maxi obtenu à partir d'1 tour).
 Bloquer le contre-écrou (4a) avec une clé plate de 13 mm. Le réglage doit s'effectuer hors pression, il est à affiner lors des essais sous pression.

RACCORDEMENT ELECTRIQUE
• Version à têtes magnétiques interface ASCO : Se référer à la notice d'installation complémentaire fournie avec chaque tête magnétique.
 Tête magnétique étanche IP65 (fig. 3a, 3b et 13a, 13b) : Adapter la bobine sur le tube (orientable sur 360°) puis le connecteur débrochable ISO 4400/EN 175101-803A (câble Ø6-10 mm), orientable par 90° x 90° (3 broches : 2 + masse).

• Version à plan de pose CNOMO : Se référer à la notice d'installation complémentaire fournie avec chaque pilote.
Recommandations générales
 Le raccordement électrique doit être réalisé par un personnel qualifié et selon les normes et règlements en vigueur.
 Attention :
 - Avant toute intervention, couper l'alimentation électrique pour mettre hors tension les composants.
 - Selon la tension, les composants électriques doivent être mis à la terre conformément aux normes et règlements locaux. La plupart des électrodistributeurs comportent des bobinages prévus pour mise sous tension permanente. Pour éviter toute brûlure, ne pas toucher la tête magnétique qui, en fonctionnement normal et en permanence sous tension, peut atteindre une température élevée. Si l'électrodistributeur est facilement accessible, l'installateur doit prévoir une protection de la tête magnétique.

ENTRETIEN
⚠ Avant toute opération d'entretien ou de remise en marche, couper l'alimentation du distributeur, dépressuriser et purger, pour prévenir tout risque d'accident corporel ou matériel.
Versions ATEX : Suivre impérativement lors de la phase de maintenance les recommandations de la directive 99/92/CE et normes associées.

• Nettoyage
 L'entretien des distributeurs varie suivant leurs conditions d'utilisation. Si nécessaire procéder à un nettoyage périodique. Lors de l'intervention, les composants doivent être examinés pour détecter toute usure excessive. Un nettoyage est nécessaire lorsqu'on observe un ralentissement de la cadence alors que la pression de pilotage est correcte ou lorsqu'un bruit anormal ou une fuite est constaté.
• Bruit de fonctionnement
 L'utilisateur ne pourra déterminer avec précision le niveau sonore émis qu'après avoir monté le composant sur l'installation. Le bruit de fonctionnement varie selon l'utilisation, le fluide et le type de matériel.

• Entretien préventif
 - Faire fonctionner le distributeur au moins une fois par mois pour vérifier son ouverture et sa fermeture.
 - En cas de problème lors du montage/entretien ou en cas de doute, nous contacter ou nos représentants officiels.

• Conseils en dépannage
 - Pression de sortie incorrecte : Vérifier la pression à l'entrée du distributeur, elle doit correspondre aux valeurs admises sur l'étiquette d'identification.
Attention, respecter les valeurs minimales de pression de pilotage : 2 bar
 Pour prévenir tout risque d'accident corporel ou matériel, vérifier que le distributeur fonctionne correctement avant de le remettre en service.

• Rechange
 La bobine est proposée en pièce de rechange. Si nécessaire, changer le distributeur complet.

ASCO	INSTALLATIONS- UND WARTUNGSANWEISUNGEN	3/2 NC	DE
	Magnetventil-Baureihe 551, Messinggehäuse oder Magnetventil-Baureihe 551/553, Edelstahlgehäuse, 1/4" oder 1/2"-Gewinde oder NAMUR-Aufflanschbild	5/2 - 5/3	

BESCHREIBUNG DER ZERTIFIZIERUNG
Von der Zertifizierung betroffene Ausführungen (Abb. 1 und 11):
Baureihe 551, Gehäuse aus Messing, Baureihe 551-553, Gehäuse aus Edelstahl, monostabil (Federückstellung) oder bistabil, 3/2-Version NC (normal geschlossen) oder 5/2, gegen Atmosphäre abgedichtete Versionen, Versionen mit oder ohne Handhilfsbetätigung;

- mit 1/4"- (551) oder 1/2"- (553) Gewindeanschluss, - 551, max. Tiefe der Anschlüsse 11,5 mm. (Der Druckanschluss ist nicht am Entlüftungsanschluss 3 anzuschließen. Die "hermetisch abgedichtete" Ausführung ist nicht für eine "verteilende" Funktion oder Verwendung in NO-Funktion ausgelegt. Funktionen in Sonderausführungen auf Anfrage.)

- mit **Aufflanschbild gemäß NAMUR** für die direkte Montage auf einfachwirkende (Funktion 3/2 NC) oder doppelwirkende (Funktion 5/2) Pneumatik-Antriebe. Das Ventil lässt sich wahlweise auf die Funktion NC 3/2 oder 5/2 umstellen durch Montage einer der entsprechenden im Lieferumfang enthaltenen Adapterplatten auf der Unterseite des Ventils (Abb. 13a, 13b, Nr. 1a und 1b). **551, max. Tiefe der 1/4"-Anschlüsse = 11,5 mm. (Der Druckanschluss ist nicht am Entlüftungsanschluss 3 anzuschließen. Die "hermetisch abgedichtete" Ausführung ist nicht für die NO-Funktion ausgelegt. Funktionen in Sonderausführungen auf Anfrage.)**

- Die Verrohrung ist entsprechend der gewünschten Funktion und der Kennzeichnung der Anschlüsse auf dem Produkt und gemäß dieser Anleitung vorzunehmen.

- Es ist darauf zu achten, dass keine Fremdkörper in das Ventil gelangen, um ein Blockieren der Ventilkontrolle zu vermeiden. Verwenden Sie Dichtungsband oder -mittel nur spärlich.

- Die Ventile sind nur mit sauberer und trockener Luft oder mit neutralem Gas zu betreiben. Empfohlene Mindest-Filterfeinheit: 50 Mikron. Der Taupunkt des verwendeten Mediums muss mindestens -10°C (18°F) unterhalb der für das Medium zulässigen Mindesttemperatur liegen. Bei der Verwendung geölter Luft ist die Beständigkeit der verwendeten Dichtungsmaterialien zu überprüfen. Die durch die ANSI/ISA-Norm 57.3 (1975) festgelegte Qualität von Instrumentenluft übersteigt die erford. Die Entlüftungsanschlüsse der Ventile sind mit den Schalldämpfern aus Edelstahl zu versehen (siehe Abb. Anforderungen und ist somit für diese Ventile zulässig.

Die Entlüftungsanschlüsse der Ventile sind mit den Schalldämpfern aus Edelstahl zu versehen. Die Schalldämpfer sind am Anschluss 3 (3/2 NC) oder an den Anschlüssen 3 - 5 (5/2) der Ventile anzuschließen. Bei einem Einsatz im Freien, bei einer längeren Lagerung und/oder bei einem Einsatz unter schwierigen Bedingungen (Staub, aggressive Medien oder andere Schutzpartikel) ist die Verwendung von Schalldämpfern zwingend erforderlich. Bei Verwendung einer anderen Art von Schutz als die mitgelieferten Schalldämpfer ist die Zuverlässigkeit der Ventile nicht mehr gewährleistet.

- Zulässige Temperatur: -40 °C bis +80 °C (Baureihe 551); -40°C bis +60°C (Baureihe 553).

- Max. Betriebsdruck:
 - 2 bis 10 bar
 - 2 bis 8 bar (ISSC/PISC/PISCIS/CFSCIS/CFSDIS/CFVTIS)

ALLGEMEINE BESCHREIBUNG

Ausführungen nach ATEX 94/9/EG: Siehe „Besondere Bedingungen für den sicheren Einsatz“:

Hermetisch gegen Atmosphäre abgedichtete Ausführungen: Die Innenteile des Wegeschiebers sind hermetisch gegen Atmosphäre abgedichtet und somit vor dem Eindringen von aggressiven Medien geschützt. Die Entlüftungsanschlüsse können zum Schutz der Umgebung gefasst und abgeführt werden; dies wird insbesondere für Anlagen in empfindlichen Bereichen (z.B. in Labors oder der Pharma- und Nahrungsmittelindustrie) empfohlen. Bei einem Einsatz im Freien oder unter schwierigen Bedingungen (Staub, aggressive Medien oder andere Schutzpartikel) ist es notwendig, die Entlüftungsanschlüsse entweder zu fassen und abzuführen oder mit einem Schutz (z.B. Schalldämpfer) zu versehen, um die Innenteile des Wegeschiebers zu schützen.

BESONDERE BEDINGUNGEN FÜR DEN SICHEREN EINSATZ
 Ausführungen nach ATEX 94/9/EG: Das Ventil ist zu erden (siehe "Einbau").

Die maximale Mediumtemperatur darf die Umgebungstemperatur nicht übersteigen.

Wenn der Zylinder vor Inbetriebnahme länger gelagert wird, sollte er in der Originalverpackung aufbewahrt werden. Die Schutzab-

deckungen an den Anschlussöffnungen und Magnetköpfen sollen nicht entfernt werden.

Lagerbedingungen: geschützt lagern:
 Temperatur: -40°C bis 70 °C; relative Feuchtigkeit: 95 %

Nach einer Lagerung bei niedriger Temperatur müssen die Ventile vor der Druckbeaufschlagung nach und nach an die Betriebstemperatur angepasst werden.

Die Ventile sind für den Betrieb innerhalb der auf den Typenschildern angegebenen Daten ausgelegt. Änderungen an den Produkten dürfen nur nach vorheriger Zustimmung des Herstellers oder einem seiner ordnungsgemäß ermächtigten Vertreter vorgenommen werden. Die Ventile sind für den Betrieb mit neutralem Gas oder Luft, gefiltert, ausgelegt. Der max. zulässige Ventildruck von 10 bar (oder 8 bar bei einem Piezotronic-Pilotventil nach ATEX Ex ia) darf nicht überschritten werden. Beachten Sie den Mindeststeuerdruck von 2 bar. Der Einbau und die Wartung des Ventils ist von Fachpersonal auszuführen.

• **Pneumatisch betätigte Ausführungen, IP65 als Standard**, oder Ausführungen in Übereinstimmung mit der **ATEX-Richtlinie 94/9/EG** für den Einsatz in durch Gase, Dämpfe, Nebel und/oder Stäube verursachten explosionsfähigen Atmosphären. (Die Zoneneinteilung für diese Version wird auf dem ATEX-Etikett, Nr. E1, angegeben.)

• Schutzart, Baureihe 551: **II 1 GD c T6 T85°C Ta -40°C bis +65°C**. Schutzart, Baureihe 553: **II 2 GD c T6 (T85°C) - T5 (T100°C)**. EG-Baumusterprüfbescheinigung-Nr. (Baureihe 551) **INERIS 03 ATEX 0219 X**

Die Einhaltung der grundlegenden Gesundheits- und Sicherheitsanforderungen wird durch die Übereinstimmung mit den Europäischen Normen **EN 13463-1** und **EN 13463-5** gewährleistet.

• **Elektropneumatisch angesteuerte Ausführungen** mit Magnetköpfen:
 - Dichte Ausführung nach IP65 oder nach der ATEX-Richtlinie 94/9/EG für explosionsfähige Atmosphären zugelassene Ausführung.

• **Ausführungen mit Magnetköpfen mit ASCO-Anschlussbild**, IP65 als Standard, oder für den Einsatz in explosionsfähigen Atmosphären gemäß II 3D IP65/IP67 oder gemäß ATEX Ex d, m, em, Ex ia zugelassen (Baureihe 551: **II 1G/2D Ex ia IIC IP65/IP67** oder Baureihe 553: **II 2G/D Ex ia IIC IP65/IP67**).

• **Ausführungen mit Pilotventilen mit Aufflanschbild gemäß CNOMO E06.05.80 (Größe 30) oder CNOMO E06.38.120N (Größe 15)**. IP65 als Standard, oder Montage von Pilotventilen für den Einsatz in explosionsfähigen Atmosphären gemäß ATEX Ex d oder Ex ia zugelassen.

• **Wichtiger Hinweis (CNOMO-Pilotventile):** Der Einsatz in den Zonen (ATEX 1999/92/EG) richtet sich in erster Linie nach den Angaben auf dem Etikett (Abb. 10 und 20, Nr. E1 oder E2) am Gehäuse des Wegeventils. Schutzart nach ATEX 94/9/EG: **II 1 GD c T6 T85°C Ta -40°C bis +65°C**.

EG-Baumusterprüfbescheinigung-Nr.: **INERIS 03 ATEX 0219 X**

Beim Zusammenbau mit einem Pilotventil nach **ATEX 94/9/EG** ist die ungünstigste Kategorie, max. Betriebsdruck und Temperatur anzunehmen. Die Einhaltung der grundlegenden Gesundheits- und Sicherheitsanforderungen wird durch die Übereinstimmung mit den Europäischen Normen **EN 13463-1** und **EN 13463-5** gewährleistet.

Die in den Abb. 4/5/14/15/21/22/23/24 angegebene Montageposition für die Pilotventile sowie die Anziehdrehmomente sind zu beachten.

Für die Magnetköpfe und Pilotventile nach **ATEX 94/9/EG** sind die in den jeweiligen, dem Produkt beigelegten **Einbau- und Wartungsanweisungen** beschriebenen **Einsatzvorschriften** zwingend zu befolgen.

EINBAU

⚠ **Ausführungen nach ATEX 94/9/EG:** Alle Metallteile bzw. leitenden Teile sind miteinander zu verbinden und zu erden. Das Ventilgehäuse wird durch die Befestigungsschraube (Nr. F) geerdet. Die Wegeschieber können ohne Beeinträchtigung der Funktion in jeder beliebigen Einbaulage montiert werden.

Ausführung mit 1/4"-Gewinde (Abb. 3a) oder 1/2"-Gewinde (Abb. 3b):

Montieren Sie den Wegeschieber mit zwei Schrauben (Nr. 1); diese sind nicht im Lieferumfang enthalten.

Ausführung mit Aufflanschbild gemäß NAMUR (Abb. 13a, 13b):

Vor der Montage des Wegeschiebers auf dem Antrieb ist das Gerät auf die gewünschte Funktion einzustellen:

- Wählen Sie die für die Funktion 3/2 NC oder 5/2 bestimmte Ad-

ASCO	INSTALLATIONS- UND WARTUNGSANWEISUNGEN	3/2 NC	DE
	Magnetventil-Baureihe 551, Messinggehäuse oder Magnetventil-Baureihe 551/553, Edelstahlgehäuse, 1/4" oder 1/2"-Gewinde oder NAMUR-Aufflanschbild	5/2 - 5/3	

apterplatte aus (Nr. 1a oder 1b).

- Stellen Sie sicher, dass die Funktionsdichtung vorhanden und korrekt eingelegt ist (Nr. 7).

- Befestigen Sie die Platte unter dem Ventil anhand der beiden mitgelieferten Schrauben (Nr. 8). Beachten Sie dabei die Montage-richtung: Die Nummer für die Funktion muss auf der Rückstellseite (Montagesicherung) platziert sein.

- Montieren Sie die beiden O-Ringe (Nr. 9).

- Platzieren Sie, falls erforderlich, die Montagesicherung auf den Antrieb:

• Bei der 3/2-Platte befindet sich die Montagesicherung Ø bei A1.

• Bei der 5/2-Platte befindet sich die Montagesicherung Ø bei A2.

PNEUMATISCHER ANSCHLUSS (Abb. 3, 13a und 13b)

Je nach Version 3/2 NC oder 5/2 können ein bzw. zwei Schalldämpfer aus Edelstahl montiert werden (siehe Abb. 2).

• **Anschluss der pneumatisch betätigten Ansteuerung:**
 G 1/8 oder NPT 1/8 bzw. G 1/4 oder NPT 1/4.

• **Anschluss der Vorsteuerentlüftungen**
 Die Entlüftungen können gefasst werden.

• **Handhilfsbetätigung**
 Je nach Ausführung werden die Produkte für den spannungslosen Betrieb mit oder ohne Handhilfsbetätigung geliefert. Die Handhilfsbetätigung ist auf den Abb. 4, 5, 14, 15, 21 bis 24 mit dem Symbol (H) gekennzeichnet und mit der Nr. 10 auf den Abb. 3a, 3b, 13a, 13b.

Die auf den Abb. 3a, 3b, 13a und 13b mit dem Symbol (H) gekennzeichnete impulsbetätigte oder rastende (Drück-Dreh) Handhilfsbetätigung ermöglicht den spannungslosen Betrieb.

⚠ **Um Personen- und Sachschäden zu vermeiden, muss vor der Inbetriebnahme die Handhilfsbetätigung in die Stellung "0" (entrastet) gesetzt werden.**

• **Anpassung auf externe Vorsteuerung**
 (Abb. 3a, 3b, 13a und 13b, Nr. 6)

• **Allgemeine Empfehlungen für den pneumatischen Anschluss**
 Die Rohrleitungen sind ordnungsgemäß abzustützen und anzuordnen, um eine mechanische Fehlbeanspruchung des Wegeschiebers zu vermeiden. Das Ventil darf nicht als Gegehälter benutzt werden. Das Werkzeug ist so nahe wie möglich am Anschlusspunkt anzusetzen. Um Schäden zu vermeiden, dürfen die Rohrverbindungen nicht zu stark angezogen werden.

• **Ausführungen mit 1/4"- (Abb. 3a) oder 1/2"-Gewindeanschluss (Abb. 3b):**

Anschluss des Wegeschiebers:
 Die Verrohrung ist entsprechend den Hinweisen auf dem Etikett anzuschließen.

- **Funktion 3/2 NC:**
 Druckbeaufschlagung über Anschluss 1 (1/4 oder 1/2). Verbraucher über Anschluss 2. Entlüftung über Anschluss 3 (1/4 oder 1/2).

- **Funktion 5/2:**
 Druckbeaufschlagung über Anschluss 1. Verbraucher über Anschlüsse 2 und 4. Die Entlüftungen sind in den Anschlüssen 3 und 5 zusammengefasst.

• **Ausführungen mit Aufflanschbild gemäß NAMUR (Abb. 13a, 13b):**

Anschluss des Wegeschiebers:
 Die Verrohrung ist entsprechend den Hinweisen auf dem Etikett anzuschließen.

- **Funktion 3/2 NC:**
 Druckbeaufschlagung über Anschluss 1 (1/4 oder 1/2). Verbraucher über Anschluss 2. Entlüftung über Anschluss 3 (Messinggehäuse: 1/8; Edelstahlgehäuse: 1/4 oder 1/2). Die Entlüftung im rückstellfähigen Antriebs ist im anschließbaren Anschluss 3 des Wegeschiebers zusammengefasst. Es wird empfohlen, den (nicht verwendeten) Anschluss 5 mit einem Schutz zu versehen, ohne dabei den Anschluss zu verschließen.

- **Funktion 5/2:**
 Druckbeaufschlagung über Anschluss 1 (1/4 oder 1/2). Verbraucher über Anschlüsse 2 und 4. Die Entlüftungen sind in den Anschlüssen 3 und 5 (Messinggehäuse: 1/8; Edelstahlgehäuse: 1/4 oder 1/2) zusammengefasst.

• **Anschluss der Abluftdrosseln (Gehäuse aus Messing)**
 Die Wegeventile der Baureihe 551 sind je nach Auftrag mit oder ohne Mini-1/8"-Abluftdrosseln ausgestattet, Zusatz M (Abb. 13a).

Mit diesen Mini-Abluftdrosseln lässt sich die Geschwindigkeit des Antriebs regulieren. Sie können auch angeschlossen werden (1/8"-Gewinde), um die Entlüftungen zusammenzulassen.

Montage / Einstellung (Abb. 13a):

3/2-Ausführung NC = 1 Abluftdrossel an Anschluss 3
 5/2-Ausführung = 2 Abluftdrosseln an den Anschlüssen 3 und 5
 Drehen Sie die Schraube (4) in den Anschluss der Drossel bis zum Anschlag ein und drehen Sie sie anschließend wieder zurück, um den Entlüftungsdurchfluss zu erhöhen (**jedoch nicht mehr als 2 Umdrehungen** - max. Durchfluss bereits bei 1 Umdrehung). Blockieren Sie die Mutter (4a) mit einem Gabelschlüssel SW 13. Führen Sie die Grobeinstellung vor der Druckbeaufschlagung und die Feineinstellung nach der Druckbeaufschlagung durch.

ELEKTRISCHER ANSCHLUSS

• **Ausführung mit Magnetköpfen mit ASCO-Anschlussbild:**
 Siehe die zusätzlichen, jedem Magnetkopf beigelegten Installationsanweisungen.

Magnetkopf IP65 (Abb. 3a, 3b und 13a, 13b): Zuerst den Magnet auf das Rohr montieren (um 360° drehbar) und anschließend die Leitungsdose nach ISO 4400/EN 17501-803A (Kabel-Ø6-10 mm), um 90° umsetzbar (3 Pins: 2 = Erde).

• **Ausführung mit CNOMO-Anschlussbild** Siehe die zusätzlichen, jedem Pilotventil beigelegten Installationsanweisungen.

• **Allgemeine Empfehlungen**
 Der elektrische Anschluss ist von Fachpersonal entsprechend den geltenden Normen und Richtlinien auszuführen.

ACHTUNG:
 - Vor Beginn jeglicher Arbeiten ist sicherzustellen, dass die Komponenten spannungslos geschaltet sind.

- Je nach Spannungsbereich müssen elektrische Komponenten einen Schutzleiteranschluss entsprechend den jeweils vor Ort geltenden Normen und Vorschriften erhalten.

Die meisten Ventile sind mit Magneten für Dauerbetrieb ausgerüstet. Zur Vermeidung von Personen- und Sachschäden sollte jede Berührung mit dem Magnet vermieden werden, da dieser bei längerem Betrieb heiß werden kann. Bei leicht zugänglichem Magnetventil sollte vom Installateur ein Schutz vorgesehen werden, um jegliches versehentliches Berühren zu vermeiden.

WARTUNG

⚠ **Um Personen- und Sachschäden zu vermeiden, muss vor der Wartung oder Inbetriebnahme die Versorgung des Ventils unterbrochen sowie das Ventil drucklos geschaltet und entlüftet werden.**

Ausführungen nach ATEX: Bei der Wartung sind die Bestimmungen der Richtlinie 99/92/EG und zugehörige Normen zwingend einzuhalten.

• **Reinigung**
 Die Wartung der Ventile hängt von den jeweiligen Einsatzbedingungen ab. Sie sollten in regelmäßigen Abständen gereinigt werden. Während des Reinigungsvorgangs sollten alle Teile auf Verschleiß untersucht werden. Eine Reinigung ist notwendig, wenn sich die Schaltfrequenz bei korrektem Vorsteuerdruck verlangsamt oder wenn ungewöhnliche Geräusche oder Undichtigkeiten festgestellt werden.

• **Geräuschemission**
 Diese hängt sehr stark vom Anwendungsfall, den Betriebsdaten und dem Medium, mit denen das Produkt beaufschlagt wird, ab. Eine Aussage über die Geräuschemission des Produktes muss deshalb von demjenigen getroffen werden, der das Produkt innerhalb einer Maschine in Betrieb nimmt.

• **Vorbegende Wartung**
 - Setzen Sie das Ventil zur Überprüfung der Öffnungs- und Schließfunktion mindestens einmal im Monat in Betrieb.

- Treten Schwierigkeiten beim Einbau oder bei der Wartung auf sowie bei Unklarheiten ist mit uns oder unseren zugelassenen Vertretern Rücksprache zu halten.

• **Fehlerbeseitigung**
 - Falscher Ausgangsdruck: Überprüfen Sie den Druck am Eingang des Ventils; er muss mit den zulässigen Werten auf dem Typenschild übereinstimmen.

- Beachten Sie den Mindeststeuerdruck von 2 bar.

Um Personen- und Sachschäden zu vermeiden, prüfen Sie vor der Wiederinbetriebnahme die richtige Funktionsweise des Ventils.

• **Ersatzteile**
 Die Magnetspule ist als Ersatzteil erhältlich.

Tauschen Sie, falls erforderlich, das gesamte Ventil aus.

ASCO	Instrucciones de puesta en marcha y mantenimiento Distribuidores SERIE 551, cuerpo de latón, o SERIE 551-553, cuerpo de acero inoxidable, roscado 1/4, 1/2 o con plano de acoplamiento NAMUR	3/2 NC	ES
		5/2 - 5/3	

DESCRIPCIÓN DE LA CERTIFICACIÓN
Versiones afectadas por esta puesta en marcha (fig 1 y 11):
Serie 551, cuerpo de latón, o Serie 551,553, cuerpo de
acero inox., monostable (retorno resorte) o bistable,
versión 3/2 NC (normalmente cerrada) o 5/2, versiones
estancas con respecto a la atmósfera. Versiones sin o
con mando manual:

- con conexión roscada 1/4 (551) o 1/2 (553) - 551, profundidad máxima de los orificios de racordaje 11,5 mm (No conectar la alimentación de presión al orificio 3 de escape. La construcción "estanca a la atmósfera" no está adaptada para la función "distribuidora" o utilización en función NA. Funciones disponibles en versión específica, consultar).
- con plano de acoplamiento según recomendación NAMUR para adaptación directa en actuador neumático de simple efecto (función 3/2 NC) o doble efecto (función 5/2). Un mismo distribuidor se adapta a los dos tipos de mando mediante la colocación en la parte inferior de una de las dos placas interface 3/2 NC o 5/2 provistas (fig. 13a, 13b, ref. 1a y 1b). 551, 1/4, profundidad máxima de los orificios de racordaje 1/4 = 11,5 mm (No conectar la alimentación de presión al orificio 3 de escape. La construcción "estanca a la atmósfera" no está adaptada para la función NA. Funciones disponibles en versión específica, consultar).
- Conectar las tuberías según las funciones deseadas teniendo en cuenta las referencias de los orificios marcados en el producto y en esta documentación.
- Verifique que ningún cuerpo extraño penetre en el circuito con el fin de evitar todo bloqueo de la válvula. Limitar la utilización de goma o pasta de estandujado.
- Estos distribuidores y electrodistribuidores deben ser utilizados solamente con aire, limpio y seco, o un gas neutro. Filtración mínima recomendada 50 micras. El punto de rocío del fluido utilizado debe ser como mínimo -10°C (18°F) por debajo de la temperatura mínima a la cual el fluido puede ser sometido. En caso de utilización de aire lubricado, el lubricante debe ser compatible con los elastómeros utilizados. La calidad "aire instrumento" definida por la norma ANSI/ISA S7.3 (1975) es superior a las exigencias requeridas y constituye de hecho, un "medio" aceptable para estas válvulas.

⚠ Proteger los orificios de escape de los distribuidores y de los pilotos mediante protectores de escape de acero inox. Para el distribuidor, conectar estos protectores al orificio 3 (3/2 NC) o a los orificios 3 - 5 (5/2). En ambiente exterior, almacenaje prolongado, y/o en presencia de polvo, líquidos y agentes presentes en el ambiente, es obligatoria la presencia de protectores de escape. La fiabilidad de la válvula no estará garantizada en caso de utilización de un medio de protección de los escapes diferente a los recomendados.

- Rango de temperatura autorizado :
-40°C a +80°C (serie 551); -40°C a +60°C (serie 553).
- Rango de presión máxima de funcionamiento :
- 2 a 10 bar
- 2 a 8 bar (ISSC/PISC/PISCIS/CFSCIS/CFSDIS/CFVTIS)

DESCRIPCIÓN GENERAL

Versiones ATEX 94/9/CE : Ver "condiciones especiales para una utilización segura".

Versiones estancas con respecto a la atmósfera : Los componentes internos del distribuidor están aislados de la atmósfera exterior, protegiéndole así de todo entorno agresivo. Todos los orificios de escape son canalizables, por lo que aseguran mayor protección del entorno, particularmente recomendada para las instalaciones en zonas sensibles como salas blancas, industrias farmacéuticas o agro-alimentarias. Es necesario canalizar o equipar los escapes para proteger los componentes internos del distribuidor en el caso de utilización en el exterior o en entorno difícil (polvos, líquidos u otros agentes).

CONDICIONES ESPECIALES PARA UNA UTILIZACIÓN SEGURA
ATEX 94/9/CE : El distribuidor debe tener toma a tierra (Ver Montaje).

La temperatura máxima del fluido no debe exceder la temperatura ambiente.

En caso de almacenaje prolongado antes de la puesta en marcha, el distribuidor debe permanecer en su embalaje de origen. Los elementos de protección de los orificios de racordaje y de las cabezas magnéticas deben permanecer colocados.

Condiciones de almacenaje : al abrigo de intemperies; temperatura : +40°C a +70°C; humedad relativa : 95 %
Después de un almacenaje a baja temperatura, los distribuidores deben ser puestos progresivamente a la temperatura ambiente de funcionamiento antes de la primera puesta bajo presión.

Los distribuidores están diseñados para los campos de funcionamiento indicados en la placa de características. No puede realizarse ninguna modificación en el material sin el acuerdo previo del fabricante o de su representante. Estos distribuidores están previstos para funcionar con aire o gases neutros filtrados. No sobrepasar la presión máxima admisible = 10 bar (o 8 bar con piloto piezotónico ATEX Ex ia). Respetar el valor mínimo de presión de pilotaje de 2 bar. La puesta en marcha y el mantenimiento de estos productos deben ser realizadas por personal competente.

- Versiones de mando neumático standard IP65 o previstas para atmósferas explosivas bajo forma de gas, vapores, nieblas y polvos según la directiva ATEX 94/9/CE. (La clasificación por zona de esta versión se define por la etiqueta ATEX, ref.E1).
- Modo de protección, serie 551: II 1 GD c T6 T85°C Ta -40°C a +65°C
Modo de protección, serie 553: II 2 GD c T6 (T85°C) - T5 (T100°C)

Certificación CE : INERIS 03 ATEX 0219 X

El respeto de las exigencias esenciales en lo relativo a seguridad y salud está asegurado por la conformidad a las normas europeas EN 13463-1 y EN 13463-5.

- Versiones con mando electro-neumático equipadas con cabezas magnéticas :
- estancas IP65 o certificadas para atmósferas explosivas según la Directiva ATEX 94/9/CE
- Versiones cabezas magnéticas según plano de acoplamiento ASCO, norma IP65 o para atmósferas explosivas, II 3D IP65/IP67 o ATEX Ex d, m, em, Ex ia (serie 551: II 1G/2D Ex ia IIC IP65/IP67 o serie 553: II 2G/2D Ex ia IIC IP65/IP67).

- Versiones con pilotos, según plano de acoplamiento CNOMO E06.05.80 (talla 30) o CNOMO E06.36.120N (talla 15), norma IP 65 o montaje de pilotos para atmósferas explosivas ATEX, Ex d o Ex ia.

Atención (pilotos CNOMO) : La colocación en zonas (ATEX 1999/92/CE), está definida prioritariamente por el marcaje indicado en la etiqueta fig. 10 y 20, (ref. E1 o E2) colocada en el cuerpo del distribuidor. Modo de protección, según ATEX 94/9/CE : II 1GD c T6 T85°C Ta -40°C a +65°C.

Certificación CE : INERIS 03 ATEX 0219 X

Tener en cuenta la categoría, rango de presión máxima de funcionamiento y temperatura la menos favorable durante el montaje con un piloto ATEX 94/9/CE. El respeto de las exigencias esenciales en lo relativo a seguridad y salud está asegurado por la conformidad a las normas europeas EN 13463-1 y EN 13463-5. Respete el sentido de montaje de los pilotos indicado por las figuras 4/5/14/15/21/22/23/24 y los pares de apriete indicados.

Para las cabezas magnéticas y pilotos ATEX 94/9/CE, siga imperativamente las prescripciones de utilización descritas en cada hoja de puesta en marcha específica provista con el producto.

MONTAJE

⚠ Versiones ATEX 94/9/CE : Compruebe que todas las partes metálicas o conductoras estén siempre interconectadas y unidas a tierra. La unión a tierra del cuerpo de distribuidor se realiza mediante el montaje del tornillo de fijación (ref. F). Los distribuidores pueden ser montados en cualquier posición. Versiones roscadas 1/4 (fig. 3a), 1/2 (fig. 3b) : Montar el distribuidor con la ayuda de dos tornillos (ref. 1), no provistos.

Versiones con plano de acoplamiento NAMUR (fig. 13a, 13b) : Antes del montaje del distribuidor en el actuador, adapte el aparato a la función deseada :

- Seleccione la placa interface correspondiente a la función

ASCO	Instrucciones de puesta en marcha y mantenimiento Distribuidores SERIE 551, cuerpo de latón, o SERIE 551-553, cuerpo de acero inoxidable, roscado 1/4, 1/2 o con plano de acoplamiento NAMUR	3/2 NC	ES
		5/2 - 5/3	

- necesaria 3/2 NC o 5/2 (ref. 1a o 1b).
- Compruebe la presencia y correcta colocación de la junta de forma (ref. 7).
- Monte la placa bajo el distribuidor con la ayuda de los 2 tornillos (ref. 8) provistos, respetando el sentido de montaje; la referencia de función debe estar colocada en el lado de retorno (guía).
- Monte las dos juntas tóricas (ref. 9).
- Coloque, si fuera necesario, la guía en el actuador :
- En la placa 3/2, el orificio guía Ø 5 está situado en A1.
- En la placa 5/2, el orificio guía Ø 5 está situado en A2.

- **RACORDAJE NEUMÁTICO (fig. 3a, 3b, 13a y 13b)**
Según la versión 3/2 NC o 5/2, se pueden adaptar uno o dos protectores de escape de acero inoxidable, ver fig. 2.
- **Racordaje del pilotaje versión neumática :**
G 1/8 o NPT 1/8 o G 1/4 o NPT 1/4.
- **Racordaje de los escapes de pilotaje**
Posibilidad de canalizar los escapes según las versiones.
- **Mando manual**
Según las versiones los productos se suministran sin o con un mando manual, para funcionamiento sin tensión. Se indica mediante el símbolo (H), en las fig. 4, 5, 14, 15, 21 a 24, y para la ref. 10 en las fig. 3a, 3b, 13a, 14b.
El mando manual de impulsión o de posición mantenida (tipo pulsar/girar), indicado por el símbolo (H) en las fig. 3a, 3b, 13a y 13b, permite el funcionamiento sin tensión.

⚠ Antes de cualquier operación de puesta en marcha, compruebe el retorno a la posición "0" (no-enclavado) del mando manual, para prevenir todo riesgo de accidente corporal o material.

- **Adaptación en alimentación externa del pilotaje**
(fig. 3a, 3b, 13a y 13b, ref. 6)
- **Recomendaciones generales para racordaje neumático**
Sostenga y alinee correctamente las tuberías para evitar cualquier tensión mecánica en el distribuidor. Al apretar, no utilice el aparato como palanca. Posicione las llaves de apriete lo más cerca posible del punto de racordaje. Con el fin de evitar deterioros, NO APRIETE DEMASIADAMENTE los racores de las tuberías.

- **Versiones roscadas 1/4 (fig. 3a, 1/2 (fig. 3b) :**
Racordaje del distribuidor :
Racordar las tuberías en función de las referencias indicadas en la etiqueta.
- **Función 3/2 NC :**
Entrada de presión por el orificio 1 (1/4 o 1/2). Utilización por el orificio 2. Escape por el orificio 3 (1/4 o 1/2).
- **Función 5/2 :**
Entrada de presión por el orificio 1. Utilización por los orificios 2 y 4.
Los escapes están canalizados hacia los orificios 3 y 5.

- **Versiones con plano de acoplamiento NAMUR (fig. 13a, 13b) :**
Racordaje del distribuidor :
Racordar las tuberías en función de las referencias indicadas en la etiqueta.
- **Función 3/2 NC :**
Entrada de presión por el orificio 1 (1/4 o 1/2). Utilización por el orificio 2. Escape por el orificio 3 (cuerpo de latón : 1/8; cuerpo de acero inox. : 1/4 o 1/2).
- El escape de los alojamientos de los resortes de retorno del actuador de simple efecto se canaliza a través del distribuidor hacia el orificio 3 racordable. Se recomienda proteger el orificio 5 (no utilizado) evitando obturarlo.

- **Función 5/2 :**
Entrada de presión por el orificio 1 (1/4 o 1/2). Utilización por los orificios 2 y 4.
Los escapes del actuador están canalizados a través del distribuidor hacia los orificios 3 y 5 (cuerpo de latón : 1/8; cuerpo de acero inox. : 1/4 o 1/2).
- **Racordaje de los reductores de escape (cuerpo de latón)**
Según la demanda, los distribuidores serie 551 se suministran sin o con reductores de escape miniatura 1/8, suflido M (fig. 13a).
- Estos mini-reductores de escape regulables permiten adaptar la velocidad de maniobra del actuador. También

se pueden racordar (rosca 1/8) para canalizar los escapes. Montaje / Regulación (fig. 3a)
Versión 3/2 NC = 1 reductor para adaptar en el orificio 3
Versión 5/2 = 2 reductores para adaptar en los orificios 3 y 5
Apriete en el orificio el tornillo (4) del reductor hasta que haga tope, después desatornille para aumentar el caudal de escape sin sobrepasar las 2 vueltas (caudal máximo obtenido a partir de 1 vuelta).
Bloquee la contra-tuerca (4a) con una llave plana de 13 mm. La regulación debe realizarse sin presión, hay que afinarla durante las pruebas con presión.

- **CONEXIÓN ELÉCTRICA**
Versiones con cabezas magnéticas interface ASCO :
Remítirse a la hoja de instalación complementaria provista con cada cabeza magnética.
Cabeza magnética estanca IP65 (fig. 3a, 3b, 13a y 13b) : Adaptar la bobina en el tubo (orientable en 360°) después del conector desenchufable ISO 4400/EN 175101-803A (cable Ø6-10 mm), orientable en 90° x 90° (3 pines : 2 + masa).
- **Versión con plano de acoplamiento CNOMO :** Remítirse a la hoja de instalación complementaria provista con cada piloto.
- **Recomendaciones generales**
La conexión eléctrica debe ser realizada por personal cualificado y según las normas y reglamentos en vigor.
Atención :
- Antes de cualquier intervención, corte la alimentación eléctrica para quitar la tensión de los componentes.
- Según la tensión, los componentes eléctricos deben tener toma a tierra conforme a las normas y reglamentos locales. La mayoría de los electrodistribuidores están provistos de bobinados previstos para la puesta bajo tensión permanente. Para evitar quemaduras, no toque la cabeza magnética que, en funcionamiento normal y en permanencia bajo tensión, puede alcanzar una temperatura elevada. Si el electrodistribuidor es de fácil acceso, el instalador debe prever una protección de la cabeza magnética.

MANTENIMIENTO

⚠ Antes de cualquier operación de mantenimiento o de puesta en marcha, corte la alimentación del distribuidor, despresurice y purgue, para prevenir riesgos de accidente corporal o material.
Versiones ATEX : Siga imperativamente durante la fase de mantenimiento las recomendaciones de la Directiva 99/92/CE y normas asociadas

- **Limpieza**
El mantenimiento de los distribuidores varía con sus condiciones de utilización. Si fuese necesario, realizar una limpieza periódica. Durante la intervención, los componentes deben ser examinados para detectar cualquier desgaste excesivo. Cuando se observa un ralentizamiento de la frecuencia aunque la presión de pilotaje sea correcta o cuando se percibe un ruido anormal o una fuga, es necesaria una limpieza.
- **Ruido de funcionamiento**
El usuario solamente podrá determinar con precisión el nivel sonoro emitido después de haber montado el componente en la instalación. El ruido de funcionamiento varía según la utilización, el fluido y el tipo de material.
- **Mantenimiento preventivo**
- Hacer funcionar el distribuidor al menos una vez al mes para verificar su apertura y su cierre.
- En caso de problemas durante el montaje/mantenimiento o en caso de duda, contactar con ASCO Numatics o sus representantes oficiales.
- **Consejos de reparación**
- Presión de salida incorrecta : Comprobar la presión en la entrada del distribuidor, esta debe corresponder a los valores admitidos en la etiqueta de identificación. Atención, respetar los valores mínimos de presión de pilotaje : 2 bar
Para prevenir cualquier riesgo de accidente personal o material, comprobar que el distribuidor funciona correctamente antes de la puesta en marcha.
- **Recambio**
La bobina existe como pieza de recambio.
Si fuese necesario, cambiar el distribuidor completo.

ASCO	Istruzioni di installazione e manutenzione Distributori SERIE 551, corpo ottone, o SERIE 551-553, corpo acciaio inox, filettati 1/4 o 1/2, o a piano di posa NAMUR	3/2 NC	IT
		5/2 - 5/3	

DESCRIZIONE DELLA CERTIFICAZIONE
Versioni interessate dalla presente certificazione (fig 1 e 11): Serie 551, corpo ottone, o Serie 551, 553, corpo acciaio inox, monostabile (ritorno a molla) o bistabile, versione 3/2 NC (normalmente chiusa) o 5/2, versioni stagne all'atmosfera. Versioni senza comando manuale o con comando manuale:

- con raccordo filettato 1/4 (551) o 1/2 (553) - 551, profondità massima della porta 11,5 mm. (Non connettere l'ingresso della pressione alla porta di scarico 3. La costruzione "a protezione dell'ambiente" non è adatta da una funzione di "distribuzione" o a un impiego senza NESSUNA funzione. Mettersi in contatto con noi per le funzioni disponibili in versioni specifiche).
- con piano di posa secondo raccomandazioni NAMUR per montaggio diretto su attuatore pneumatico a semplice effetto (funzione 3/2 NC) o doppio effetto (funzione 5/2). Uno stesso distributore si adatta alle due funzioni mediante posizionamento sulla parte inferiore di una delle due piastre interfaccia 3/2 NC o 5/2 fornite (fig. 13a, 13b, rif. 1a e 1b. 551, profondità massima della porta 11,5 mm) (Non connettere l'ingresso della pressione alla porta di scarico 3. La costruzione "a protezione dell'ambiente" non è adatta a un impiego senza NESSUNA funzione. Mettersi in contatto con noi per le funzioni disponibili in versioni specifiche).

- Raccordare le tubazioni secondo le funzioni desiderate, tenendo conto dei riferimenti delle vie marcati sul prodotto e nella presente documentazione.
- Controllare che nessun corpo estraneo penetri all'interno del circuito, onde evitare il blocco della valvola. Limitare l'utilizzo di nastro o pasta per tenute.
- I distributori ed elettrodistributori devono essere utilizzati solo con aria pulita e secca, o con gas neutro. Si raccomanda un filtraggio minimo di 50 micron. Il punto di rugiada dei fluidi deve essere di almeno -10°C (18°F) al di sotto della temperatura minima a cui i fluidi possono essere esposti. Se viene usata aria lubrificata, il lubrificante deve essere compatibile con gli elastomeri usati. La qualità "aria strumentali" definita dalla norma ANSI/ISA S7.3 (1975) supera i requisiti ed è pertanto un supporto accettabile per queste valvole.

Tutte le connessioni di scarico delle valvole e dei piloti devono essere protette con silenziatori in acciaio inox. Collegare i silenziatori alla connessione (3/2 NC) o connessioni 3-5 (5/2). Per utilizzo esterno, o in giacenza a magazzino per lunghi periodi, e/o esposte in ambienti difficili (polveri, liquidi, ecc.), devono essere utilizzati i silenziatori. L'affidabilità della valvola non viene garantita nel caso di utilizzo di un silenziatore differente da quello prescritto.

- Campo di temperatura autorizzato: da -40°C a +80°C (serie 551); da -40°C a +60°C (serie 553).
- Campo di pressione max di funzionamento:
 - da 2 a 10 bar
 - da 2 a 8 bar (ISSC/PISC/PISCIS/CFSCIS/CFSDIS/CFVTIS)

DESCRIZIONE GENERALE

Versioni ATEX 94/9/CE: Vedere "condizioni speciali per un utilizzo sicuro".
Versioni stagne all'atmosfera: I componenti interni del distributore sono isolati dall'atmosfera esterna, quindi protetti dagli ambienti aggressivi. Tutte le vie di scarico se canalizzate, assicurano una migliore protezione dagli ambienti aggressivi, particolarmente raccomandata per installazioni in zone sensibili come sale bianche, industrie farmaceutiche o agroalimentari. E' necessario canalizzare o predisporre gli scarichi per proteggere i componenti interni del distributore in caso di utilizzo all'esterno o in ambiente difficile (polveri, liquidi o altri agenti).

CONDIZIONI SPECIALI PER UN UTILIZZO SICURO

ATEX 94/9/CE: Il distributore deve avere la messa a terra (Vedere Montaggio).
La temperatura max del fluido non deve superare la temperatura ambiente.
In caso di stoccaggio prolungato prima della messa in funzione, il distributore deve restare nel suo imballaggio d'origine. Gli elementi di protezione delle vie di raccordo e delle teste magnetiche devono rimanere al proprio posto.
Condizioni di stoccaggio: al riparo dalle intemperie; temperatura: da -40°C a +70°C; umidità relativa: 95 %

Dopo uno stoccaggio a bassa temperatura, i distributori devono essere riportati progressivamente alla temperatura ambiente di funzionamento prima di essere messi in pressione per la prima volta.

I distributori sono progettati per i campi di funzionamento indicati sulla etichetta di segnalazione. Nessuna modifica può essere apportata sui materiali senza il previo accordo del fabbricante o dei suoi rappresentanti. Questi elettrodistributori sono previsti per aria o gas neutri filtrati. Non superare la pressione max ammessa = 10 bar (o 8 bar con pilota piezotronic ATEX Ex ia). Rispettare il valore minimo di funzionamento di 2 bar. La messa in funzione di questi prodotti deve essere effettuata da personale competente.

- Versioni a comando pneumatico standard IP65 o previste per atmosfere pericolose come gas, vapori, nebbie e polveri secondo la Direttiva ATEX 94/9/CE. La classificazione delle zone di questa versione è definita nell'etichetta ATEX, rif. E1).
- Modo di protezione, serie 551: II 1 GD c T6 T85°C Ta da -40°C a +65°C
- Modo di protezione, serie 553: II 2 GD c T6 (T85°C) - T5 (T100°C)

Certificato di esame CE di tipo (serie 551):

INERIS 03 ATEX 0219 X

Il rispetto dei requisiti essenziali in materia di sicurezza e salute è assicurata dalla conformità alle norme europee EN 13463-1 e EN 13463-5.

- Versioni a comando elettropneumatico dotate di teste magnetiche:

- protezione IP65 o omologate per atmosfere pericolose secondo la Direttiva ATEX 94/9/CE

- Versioni con teste magnetiche secondo piano di posa ASCO, standard IP65 o per atmosfere pericolose, II 3D IP65/IP67 o ATEX Ex d, m, em, Ex ia (serie 551: II 1G/2D Ex ia IIC IP65/IP67 o serie 553: II 2G/D Ex ia IIC IP65/IP67)

- Versioni con piloti, secondo piano di posa CNOMO E06.05.80 (taglia 30) o CNOMO E06.36.120N (taglia 15), standard IP 65 o montaggio di piloti per atmosfere pericolose ATEX, Ex d o Ex ia.

Attenzione (piloti CNOMO): L'installazione in zone (ATEX 1999/92/CE), è determinato in via prioritaria dalla marcatura indicata sull'etichetta (fig. 10 e 20, rif. E1 o E2) situata sul corpo del distributore. Modo di protezione secondo ATEX 94/9/CE: II 1 GD c T6 T85°C Ta da -40°C a +65°C.

Certificato di esame CE di tipo: INERIS 03 ATEX 0219 X

Considerare la categoria, pressione massimo di funzionamento e la temperatura meno favorevoli quando si monta un gruppo con pilota ATEX 94/9/CE. Il rispetto dei requisiti essenziali in materia di sicurezza e salute è assicurata dalla conformità alle norme europee EN 13463-1 e EN 13463-5. Rispettare il senso di montaggio dei piloti indicato nelle figure dalla 4/5/14/15/21/22/23/24 e le coppie di serraggio indicate.

Per le teste magnetiche e i piloti ATEX 94/9/CE, seguire tassativamente le istruzioni per l'uso riportate nelle rispettive avvertenze specifiche per la messa in funzione fornite con il prodotto.

MONTAGGIO

Versioni ATEX 94/9/CE: Accertarsi che tutte le parti metalliche o conduttrici siano sempre interconnesse e messe a terra. La messa a terra del corpo del distributore si esegue montando la vite di fissaggio (rif. F).

I distributori possono essere montati in qualsiasi posizione. Versioni filettate 1/4 (fig. 3a); 1/2 (fig. 3b):

Montare il distributore servendosi di due viti (rif. 1), non compresse nella fornitura.

Versioni con piano di posa NAMUR (fig. 13a, 13b): Prima di montare il distributore sull'attuatore, adattare il componente alla funzione scelta:

- Selezionare la piastra interfaccia sulla funzione desiderata 3/2 NC o 5/2 (rif. 1a e 1b).
- Verificare la presenza e l'inserimento corretto della guarnizione sagomata (rif. 7).
- Assemblare piastra e distributore con le 2 viti (rif. 8) fornite, rispettando il senso di montaggio: il riferimento della funzione

ASCO	Istruzioni di installazione e manutenzione Distributori SERIE 551, corpo ottone, o SERIE 551-553, corpo acciaio inox, filettati 1/4 o 1/2, o a piano di posa NAMUR	3/2 NC	IT
		5/2 - 5/3	

deve essere posizionato lato ritorno (spina di riferimento).
- Montare le due guarnizioni OR (rif. 9).
- Posizionare, se necessario, la spina di riferimento sull'attuatore.

- Sulla piastra 3/2, la spina di riferimento Ø 5 è situata in A1.
- Sulla piastra 5/2, la spina di riferimento Ø 5 è situata in A2.

RACCORDO PNEUMATICO (fig. 3a, 3b 13a, 13b)

A seconda della versione 3/2 NC o 5/2, vengono fornite una o due protezioni di scarico in acciaio inox (vedere fig. 2).

- Raccordo di pilotaggio automatico: G 1/8 o NPT 1/8 o G 1/4 o NPT 1/4.
- Raccordo degli scarichi di pilotaggio
Possibilità di raccogliere gli scarichi secondo la versione.
- Comando manuale
A seconda delle versioni i prodotti sono forniti con o senza comando manuale, per funzionamento senza tensione. Essa è segnalata dal simbolo (H) sulle fig. 4, 5, 14, 15, da 21 a 24, e dal rif. 10 sulle fig. 3a, 3b, 13a, 13b.
Il comando manuale ad impulsi o posizione mantenuta (tipo spingere/girare), segnalata dal simbolo (H) sulle fig. 3a, 3b, 13a e 13b, permette il funzionamento senza tensione.

Prima di qualsiasi operazione di rimessa in funzione, convalidare il ritorno sulla posizione "0" (non-inserita) del comando manuale, per evitare qualsiasi rischio di incidente a cose o persone.

- Montaggio con alimentazione esterna di pilotaggio (fig. 3a, 3b, 13a e 13b, rif. 6)

- Raccomandazioni generali per il raccordo pneumatico
Supportare ed alimentare correttamente le tubazioni per evitare qualsiasi sollecitazione meccanica sul distributore. Serrando, non servirsi dell'apparecchio come se fosse una leva; posizionare le chiavi di serraggio il più vicino possibile al punto di raccordo. Per evitare qualsiasi guasto, NON SERRARE TROPPO i raccordi delle tubazioni.

- Versioni filettate 1/4 (fig. 3a); 1/2 (fig. 3b):

Raccordo del distributore:
Collegare le tubazioni secondo i riferimenti indicati sull'etichetta.

- Funzione 3/2 NC:
Ingresso della pressione attraverso la via 1 (1/4 o 1/2). Utilizzo attraverso la via 2. Scarico attraverso la via 3 (1/4 o 1/2)

- Funzione 5/2:
Ingresso della pressione attraverso la via 1. Utilizzo attraverso le vie 2 e 4.
Gli scarichi sono incanalati verso le vie 3 e 5.

- Versioni con piano di posa NAMUR (fig. 13a, 13b):

Raccordo del distributore:
Collegare le tubazioni secondo i riferimenti indicati sull'etichetta.

- Funzione 3/2 NC:
Ingresso della pressione attraverso la via 1 (1/4 o 1/2). Utilizzo attraverso la via 2. Scarico attraverso la via 3 (corpo in ottone: 1/8; corpo in acciaio inox: 1/4 o 1/2).

Lo scarico delle camere delle molle di ritorno dell'attuatore a semplice effetto è canalizzato attraverso il distributore verso la connessione 3 raccordabile. Si raccomanda di proteggere la via 5 (non utilizzata) evitando di tapparla.

- Funzione 5/2:
Ingresso della pressione attraverso la via 1 (1/4 o 1/2). Utilizzo attraverso la vite di fissaggio.

Gli scarichi dell'attuatore sono incanalati verso le vie 3 e 5 (corpo in ottone: 1/8; corpo in acciaio inox: 1/4 o 1/2).

- Raccordo dei regolatori di scarico (corpo ottone)

A seconda della richiesta, i distributori serie 551 sono forniti con o senza regolatori di scarico miniaturizzati 1/8, siffiuso M (fig. 13a).

Tali mini-regolatori di scarico regolabili permettono di adattare la velocità di manovra dell'attuatore. Sono ugualmente raccordabili (filettatura 1/8) per collegare gli scarichi.

Montaggio / Regolazione (fig. 3a):
Versione 3/2 NC = 1 regolatore da montare sulla via 3
Versione 5/2 = 2 regolatori da montare sulle vie 3 e 5

Serrare le vite nella via (4) del regolatore fino ad arresto battuta, poi svitare per aumentare la portata dello scarico senza mai superare i 2 giri (la portata max si ottiene a partire da 1 giro).
Bloccare il contro-dado (4a) mediante chiave da 13 mm. La regolazione deve essere effettuata in assenza di pressione. L'ottimizzazione effettuando delle prove dopo la pressurizzazione.

CONNESSIONE ELETTRICA

- Versione con testa magnetica interfaccia ASCO: fare riferimento alle istruzioni d'installazione complementari fornite con ciascuna testa magnetica.
Testa magnetica con protezione IP65 (fig. 3a, 3b, 13a e 13b): Montare la bobina sul tubo (orientabile a 360°) poi il connettore disinnestabile ISO 4400/EN 175101-803A (cavo Ø6-10 mm), orientabile a 90° (3 morsetti: 2 + massa).

- Versione a piano di posa CNOMO: fare riferimento alle istruzioni d'installazione complementari fornite con ciascun pilota.

- Raccomandazioni generali
Il collegamento elettrico deve essere realizzato da personale qualificato e secondo le norme ed i regolamenti in vigore.

Attenzione:

- Prima di qualsiasi intervento, togliere l'alimentazione elettrica per mettere i componenti fuori tensione.
- A seconda della tensione, i componenti elettrici devono essere messi a terra in conformità alle norme ed i regolamenti locali.

La maggior parte dei distributori hanno bobine previste per messa in tensione permanente. Per evitare bruciature, non toccare la testa magnetica che, in funzionamento normale e permanentemente sotto tensione, può raggiungere una temperatura elevata. Se l'elettrovalvola è facilmente accessibile, l'installatore deve prevedere una protezione della testa magnetica.

MANUTENZIONE

Prima di qualsiasi operazione di manutenzione o di rimessa in funzione, togliere l'alimentazione al distributore, depressurizzare e spurgare, per evitare qualsiasi rischio di incidente a cose o persone.

Versioni ATEX: in fase di manutenzione seguire tassativamente le raccomandazioni della direttiva 99/92/CE e norme associate.

- Pulizia
La manutenzione dei distributori varia secondo le loro condizioni di impiego. Se necessario, procedere ad una pulizia periodica. Quando si segue un intervento, si devono esaminare i componenti per individuare i punti troppo usurati. E' necessaria una pulizia quando si osserva un rallentamento della cadenza, pur essendo corretta la pressione di pilotaggio o quando si sente un rumore anormale o si constata una fuga.

- Rumore di funzionamento
L'utente potrà determinare con precisione il livello sonoro ammesso solo dopo avere montato il componente sull'installazione. Il rumore di funzionamento varia secondo l'uso, il fluido ed il tipo di materiale.

- Manutenzione preventiva
Fare funzionare il distributore almeno una volta al mese per verificarne l'apertura e la chiusura.

- In caso di problema al montaggio o alla manutenzione o in caso di dubbio, contattare ASCO Numatics o i suoi rappresentanti ufficiali.

- Consigli per la riparazione
Pressione di uscita anomala: verificare la pressione all'entrata del distributore; deve corrispondere ai valori ammessi sull'etichetta dati.

Attenzione. Rispettare i valori minimi di pressione di pilotaggio: 2 bar.
Per evitare qualsiasi rischio d'incidente a cose o persone, verificare che il distributore funzioni correttamente prima di rimetterlo in servizio.

- Ricambi
La bobina viene proposta come parte di ricambio. Se necessario, sostituire l'elettrodistributore o il distributore completo.

ASCO	ALGEMENE INSTALLATIE- EN ONDERHOUDSINSTRUCTIES	3/2 NC	NL
	Magneetafsluiter uit de 551-serie met messing huis, of uit de 551-553-serie met roestvaststalen huis, en voorzien van 1/4" - of 1/2"-schroefdraad of een NAMUR-aansluiting	5/2 - 5/3	

OMSCHRIJVING VAN DE GOEDKEURING
Versies waar de goedkeuring betrekking op heeft (afb. 1 en 11):

Dit zijn monostabiele (met terugstelver) of bistabiele magneetafsluiter met een afsluiterhuis van messing (551-serie) of van roestvast staal (series 551, 553), met 3/2 NC- (normaal gesloten) of 5/2-werking in een van de buitenlucht geïsoleerde uitvoering. Versies met en zonder handmatige bediening:

- met 1/4" (551) of 1/2" (553) schroefdraadaansluitingen - 551, met 1/4" getapte aansluiting max. poortdiepte 11,5 mm. (Sluit de druktoevoer niet aan op ontluchtingspoort 3. De "hermetisch afgedichte" constructie is niet geschikt als "verdefunctie" of voor gebruik in NO functie. Speciale uitvoeringen op aanvraag).
- met NAMUR-aansluiting voor directe montage op enkelwerkende (3/2 NC) of dubbelwerkende (5/2) pneumatische actuatoren. De werking van de afsluiter kan van 3/2 NC naar 5/2 worden omgewoond door de meegeleverde 3/2 NC- of 5/2-functieplaat onder de afsluiter te monteren (fig. 13a, 13b, zie 1a en 1b). **551, Met 1/4" max. poortdiepte 11,5 mm.** (Sluit de druktoevoer niet aan op ontluchtingspoort 3. De "hermetisch afgedichte" constructie is niet geschikt voor gebruik in NO functie. Speciale uitvoeringen op aanvraag).

- Neem bij het aansluiten van de benodigde leidingen voor de gewenste functie de aanwijzingen in dit document en de poortmarkeringen op het product in acht.
- Zorg dat er geen vuil in de leidingen kan komen, om schade aan de afsluiter te voorkomen. Beperk het gebruik van afdichttappet en afdichtingsmateriaal tot een minimum.
- Deze afsluiter zijn bedoeld voor gebruik met schone en droge lucht of inert gas. Aanbevolen filtratiediameter: 50 micron. Het dauwpunt van het gebruikte medium dient minstens 10°C onder de minimumtemperatuur te liggen waaraan het medium ooit zal worden blootgesteld. Indien gesmeerde lucht wordt gebruikt, dient het smeermiddel geschikt te zijn voor de gebruikte elastomeren. Instrumentaalsluit conform ANSI/ISA norm 57.3 (1975) voldoet ruimschoots aan deze vereisten en is daardoor een geschikt medium voor deze afsluiter.

⚠ **Alle uitlaatpoorten van de afsluiter en stuurkleppen moeten worden beschermd met roestvaststalen uitlaatbeschermers.** Sluit de uitlaatbeschermers aan op poort 3 (3/2 NC) of poorten 3 - 5 (5/2). Bij gebruik buiten of opslag voor langere tijd en/of bij blootstelling aan veeleisende omgevingen (stof, vloeistoffen, enz.) moeten uitlaatbeschermers worden gebruikt. De betrouwbaarheid van de afsluiter kan niet worden gegarandeerd indien een uitlaatbescherming anders dan de geleverde bescherming wordt gebruikt.

- Toegestaan temperatuurbereik:
-40°C tot +80°C (serie 551); -40°C tot +60°C (serie 553).
- Maximale werkdruk:
- 2 tot 10 bar
- 2 tot 8 bar (ISSC/PISC/PISCIS/CFSCIS/CFSDIS/CFVTIS)

BESCHRIJVING

ATEX 94/9/EG-versies: Zie "Speciale voorwaarden voor veilig gebruik".

Versies die geïsoleerd zijn van de buitenlucht: De inwendige delen van de afsluiter zijn geïsoleerd van de buitenlucht, voor bescherming in schadelijke omgevingen. Op alle uitlaatopeningen van deze schuifafsluiter kunnen leidingen worden aangesloten, zodat ze optimaal kunnen worden afgeschermd van hun omgeving en van het milieu. Daardoor zijn ze met name geschikt voor installaties in gevoelige omgevingen zoals in stofvrije ruimten, in de farmaceutische industrie en in de voedingsmiddelenindustrie. Bij gebruik in de buitenlucht moet gebruik in veeleisende omgevingen (stof, dampen, enz.) met u leidingen of appendages op de uitlaatpoorten aansluiten om de inwendige delen van de schuifafsluiter te beschermen.

SPECIALE VOORWAARDEN VOOR VEILIG GEBRUIK
ATEX 94/9/EG-versies: De afsluiter moet worden geardeerd (zie "Montage").

De maximale temperatuur van het medium mag de omgevingstemperatuur niet overschrijden.
Bewaar de schuifafsluiter in zijn originele verpakking zolang u

hem niet gebruikt. Laat de bescherming op de aansluitpoorten en over de magneetkappen zitten.

Opslagcondities: Beschermen tegen weersinvloeden, opslagtemperatuur: -40°C tot +70°C; relatieve vochtigheid: 95%.

Na opslag bij een lage temperatuur dienen de schuifafsluiter geleidelijk aan op gebruikstemperatuur te worden gebracht voordat ze onder druk worden gezet.

De schuifafsluiter mogen uitsluitend toegepast worden binnen de op het typeplaatje aangegeven specificaties. Wijzigingen zijn alleen toegestaan na overleg met de fabrikant of haar vertegenwoordiger. Deze magneetafsluiter van het schuiftypen zijn ontworpen om het gebruik van gefilterde lucht of neutrale gassen. Overschrijd nooit de maximaal toegestane druk van de afsluiter = 10 bar (of 8 bar met een Piezotronic-stuurklep conform ATEX Ex ia). Zorg voor een minimale stuurdruk van 2 bar. Alleen vakkundig personeel mag de afsluiter installeren en onderhouden.

• **Standaard pneumatisch bediende versies in IP65-klasse** of versies voor gebruik in explosiegevaarlijke omgevingen veroorzaakt door gassen, dampen, mist of stof volgens **ATEX-richtlijn 94/9/EG**. (De zoneclassificatie voor deze versies staat op het ATEX-label, zie E1).
Veiligheidscode, serie 551: II 1 GD c T6 T85°C Ta -40°C tot +65°C
Veiligheidscode (553-serie): II 2 GD c T6 (T85°C) -T5 (T100°C)

EG-typegoedkeuring nr. (serie 551): **INERIS 03 ATEX 0219 X**
Dit product voldoet aan de Europese normen **EN 13463-1** en **EN 13463-5**, en daarmee ook aan alle wettelijke arbovoorschriften.

- **Pneumatisch werkende magneetafsluiter** met magneetkappen:
- IP65-klasse of gecertificeerd voor gebruik in explosiegevaarlijke omgeving volgens ATEX-richtlijn 94/9/EG.
- **Versies met magneetkappen met ASCO-montageplaat** - standaard IP65 voor gebruik in een explosiegevaarlijke omgeving II 3D IP65/IP67 of ATEX Ex d, m, em, Ex ia (Serie 551: II 1 GD/2D Ex ia IIC IP65/IP67 of serie 553: II 2 GD/2D Ex ia IIC IP65/IP67)
- **Versies met stuurkleppen met montageplaat CNOMO E06.05.80 (grootte 30) of CNOMO E06.36.120N (grootte 15)** - standaard IP65 of stuurkleppen voor gebruik in explosiegevaarlijke omgevingen volgens ATEX Ex d of Ex ia.

Let op (CNOMO-stuurkleppen): De zoneclassificatie (ATEX 1999/92/EG) wordt in eerste instantie bepaald door de vermelding op het typeplaatje fig. 10 en 20 (zie E1 of E2) op het huis van de afsluiter. Veiligheidscode volgens ATEX-richtlijn 94/9/EG: II 1 GD c T6 T85°C Ta -40°C tot +65°C

EG-typegoedkeuring certificaat-nr.: **INERIS 03 ATEX 0219 X**
Neem bij het monteren van dit product op een stuurklep volgens ATEX 94/9/EG de minst gunstige categorie, maximale werkdruk en temperatuur in acht. Dit product voldoet aan de Europese normen **EN 13463-1** en **EN 13463-5**, en daarmee ook aan alle wettelijke arbovoorschriften. Neem de montageinstructie voor de stuurkleppen zoals aangegeven in figuren 4/5/14/15/21/22/23/24 in acht, evenals de genoemde aandradmomenten.

Neem bij magneetkappen en stuurkleppen die voldoen aan ATEX 49/9/EG altijd de gebruiksvoorschriften in acht die in de handleiding van het product staan vermeld.

MONTAGE

⚠ **ATEX 94/9/EG-versies:** Zorg dat alle metalen en geleidende onderdelen altijd op elkaar zijn aangesloten en geardeerd zijn. Het afsluiterhuis is via de bevestigingsschroef (zie F) geardeerd.

De afsluiter mogen in alle standen worden gemonteerd. **Versies met schroefdraadaansluitingen 1/4" (fig. 3a), 1/2" (fig. 3b):**

Monteer de afsluiter met behulp van twee bouten (zie 1) (niet bij levering inbegrepen).

Versies met NAMUR-aansluiting (fig. 13a, 13b):

- Kies de gewenste werking voordat u de schuifafsluiter monteert:
- Kies de functieplaat die correspondeert met de gewenste functie : 3/2 NC of 5/2 (zie 1a of 1b).
- Zorg voor correcte plaatsing van de afdichting (zie 7)
- Monteer de functieplaat met behulp van de 2 meegeleverde bouten (zie 8) onder de schuifafsluiter. De functie-indicatie moet zich aan de retourzijde (codering) bevinden.

ASCO	ALGEMENE INSTALLATIE- EN ONDERHOUDSINSTRUCTIES	3/2 NC	NL
	Magneetafsluiter uit de 551-serie met messing huis, of uit de 551-553-serie met roestvaststalen huis, en voorzien van 1/4" - of 1/2"-schroefdraad of een NAMUR-aansluiting	5/2 - 5/3	

- Plaats de 2 O-ringen (zie 9).
- Plaats, indien nodig, de positioneerstift op de kop:
• Op de 3/2 NC-functieplaat bevindt de centreeropening Ø 5 zich bij A1.
- Op de 5/2-functieplaat bevindt de centreeropening Ø 5 zich bij A2.

PNEUMATISCHE AANSLUITING (fig. 3a, 3b, 13a en 13b)

Afhankelijk van de versie (3/2 NC of 5/2), kunnen één of twee roestvaststalen uitlaatbeschermers worden gebruikt (zie fig. 2).

- **Aansluiting van de pneumatisch gestuurde versie:**
- G 1/8 of NPT 1/8 of G 1/4 of NPT 1/4.
- **Aansluiting van de stuuruitlaten**
De uitlaatgassen kunnen worden opgevangen, afhankelijk van de gebruikte afsluiterversie.
- **Handmatige bediening**
Afhankelijk van de versie worden de producten geleverd met of zonder handmatige bediening om ook te werken zonder stroom. De handmatige bediening wordt aangegeven door het symbool (H), in fig. 4, 5, 14, 15, 21 t/m 24, en zie 10 in fig. 3a, 3b, 13a, 13b.
Het type handbediening, impulsstijpe van van schakeltype (duw-/draaitype), wordt aangeduid door het symbool (H) in fig. 3a, 3b, 13a en 13b. Beide typen maken stroomloze bediening mogelijk.

⚠ **Controleer vóór iedere inbedrijfstelling of de handmatige bediening is teruggezet op diens gedeactiveerde stand "0", teneinde elk risico op persoonlijk letsel en op beschadiging van de apparatuur te vermijden.**

- **Aanpassing aan externe stuurvoorziening**
fig. 3a, 3b, 13a en 13b, zie 6)
- **Algemene aanbevelingen voor pneumatische aansluitingen**
De leidingen moeten correct worden ondersteund en uitgelijnd om elke mechanische belasting van de afsluiter te vermijden. Bij het vastschroeven mag u de afsluiter niet als hefboom gebruiken. Plaats gereedschappen zo dicht mogelijk bij de te maken verbinding. Gebruik een zodanig koppel voor leidingverbindingen dat het product NIET WORDT BESCHADIGD.

• **Versies met schroefdraadaansluitingen 1/4" (fig. 3a), 1/2" (fig. 3b):**

Aansluiten van de schuifafsluiter:

- Sluit de leidingen aan zoals aangegeven op het typeplaatje.
- **Werking 3/2 NC:**
Drukuitlaat via poort 1 (met 1/4"- of 1/2"-schroefdraad).
Drukuitlaat via poort 2.
Uitlaat via poort 3 (met 1/4"- of 1/2"-schroefdraad).
- **Werking 5/2:**
Drukuitlaat via poort 1. Drukuitlaat via de poorten 2 en 4. De uitlaten van de afsluiter worden naar de poorten 3 en 5 geleid.

• **Versies met NAMUR-aansluiting** (fig. 13a, 13b):

Aansluiting van de schuifafsluiter:

- Sluit de leidingen aan zoals aangegeven op het typeplaatje.
- **Werking 3/2 NC:**
Drukuitlaat via poort 1 (met 1/4"- of 1/2"-schroefdraad).
Drukuitlaat via poort 2.
Uitlaat via poort 3 (messing huis: 1/8 ; roestvaststalen huis: 1/4" of 1/2" schroefdraad).
- De afsluiter leidt de uitlaat van de terugstelveerkamers bij enkelvoudige werking naar poort 3. We raden u aan om poort 5 (niet gebruikt) af te schermen, **maar niet af te sluiten.**
- **Werking 5/2:**
Drukuitlaat via poort 1 (met 1/4"- of 1/2"-schroefdraad).
Drukuitlaat via de poorten 2 en 4.
De afsluiter leidt de uitlaten naar de poorten 3 en 5 (messing huis: 1/8 ; roestvaststalen huis: 1/4" of 1/2" schroefdraad).

• **Aansluiting van uitlaatverloopstukken (messing huis):**

- Schuifafsluiter uit de serie 551 worden conform bestelling geleverd met of zonder 1/8" miniatuur-uitlaatverloopstukken, áchtervoegsel M (fig. 13a).
- Deze instelbare mini-uitlaatverloopstukken worden gebruikt om de bedrijfsnelheid van de actuator aan te passen. Ze kunnen ook worden aangesloten (1/8" schroefdraad) om

de uitlaatgassen op te vangen.
Monteren / installeren (fig. 3a):

Versie 3/2 NC = 1 uitlaatverloopstuk moet worden gemonteerd aan poort 3.

Versie 5/2 = 2 uitlaatverloopstukken dienen te worden gemonteerd aan poorten 3 en 5.

Duw de schroef (4) op het verloopstuk in het gat en schroef hem vast tot tegen de aanslag; draai hem vervolgens lossers om de uitlaatsroom te verhogen (**nooit meer dan twee slagen**, max. doorstroom verkregen bij één slag).
Draai de borgmoer (4a) vast met een sleutel van 13 mm. Voer een ruwe afstelling uit voordat de druk wordt aangebracht en voer een fijnafstelling uit na het onderdruk brengen.

ELECTRISCHE AANSLUITING

• **Versie met magneetkappen met ASCO-aansluiting:**
Zie de aanvullende installatie-instructies die bij elke magneetkop worden meegeleverd.

IP65-magneetknop (fig. 3a, 3b en 13a, 13b): Monteer de eerst poel op de buis (360° draaibaar) en daarna de losneembare ISO 4400/EN 175101-803A aansluiting (kabeldiam. 6-10 mm) draaibaar over 90° (3 penen: 2+ aarde).

• **Versies met CNOMO-montageplaat:**
Zie de aanvullende installatie-instructies die worden geleverd met elke stuurklep.

• **Algemene aanbevelingen:**
De elektrische aansluiting dient te gebeuren door een vakman en in overeenstemming met de geldende voorschriften en normen.

- Let op:
- Voordat men aan het werk begint, moeten alle spanningvoerende delen spanningsloos worden gemaakt.
- Afhankelijk van de spanning moeten de elektrische componenten eventueel worden geardeerd volgens de lokaal geldende wet- en regelgeving.
- De meeste afsluiter zijn uitgerust met poelen voor continu gebruik. Om elk risico op lichamelijk letsel te vermijden, dient men aanraking van de magneetkop te voorkomen omdat die bij normaal gebruik heet kan worden. In voorkomende gevallen dient men de magneetkop af te schermen voor aanraking.

ONDERHOUD

⚠ Voor de inbedrijfname en voordat u begint aan onderhoudswerk moet u de elektrische voeding uitschakelen en de afsluiter drukloos maken om elk risico te het ontstaan van persoonlijk letsel of materiële schade te vermijden.

ATEX-versies: neem alle voorschriften conform de Europese richtlijn 99/92/EG en de hiervan afgeleide normen strikt in acht.

• **Reiniging**

Hoeveel onderhoud de afsluiter vereisen, hangt af van de gebruiksomstandigheden. Zorg voor regelmatig onderhoud. Controleer tijdens het onderhoud of onderdelen zijn versleten. Een reinigingsbeurt is nodig wanneer werkrimte vertraagt terwijl de stuurdruk correct is, of wanneer een abnormaal geluid of lek wordt waargenomen.

• **Geluidsniveau**

De geluidsemissie hangt sterk af van de toepassing, en van het gebruikte medium en de apparatuur. De bepaling van het geluidsniveau kan pas uitgevoerd worden nadat de afsluiter is ingebouwd.

• **Preventief onderhoud**

- Gebruik de afsluiter ten minste één keer per maand om de werking ervan te controleren.
- In geval van problemen of als er onduidelijkheden tijdens montage, gebruik of onderhoud optreden, neem dan contact met ons op of met één van onze vertegenwoordigers.

• **Storingen verhelpen**

- **Verkeerde uitlaatdruk:** Controleer de druk aan de inlaatzijde van de afsluiter, deze moet overeenstemmen met de specificaties op het typeplaatje.
Let op: zorg voor een minimale stuurdruk van 2 bar.
Controleer of de afsluiter correct werkt voordat u hem opnieuw in bedrijf stelt, om zo elk risico op lichamelijk letsel of materiële schade te vermijden.

• **Reserveonderdelen**

De spoel is verkrijgbaar als reserveonderdeel. Vervang zo nodig de gehele afsluiter.

ASCO	INSTALLASJONS- OG VEDLIKEHOLDSINSTRUKSER	3/2 NC	NO
	Serie 551 magnetventiler, messinghus, eller serie 551-553, hus av rustfritt stål, 1/4", 1/2" gjenger eller NAMUR-grensesnitt	5/2 - 5/3	

BESKRIVELSE AV GODKJENNELSEN
Versjoner som godkjennelsen gjelder (fig. 1 og 11):
Kun hus av messing (serie 551) eller rustfritt stål (serie 551, 553), monostabil (fjærretur) eller bistabil, 3/2 NC (normalt lukket) funksjon eller 5/2, versjon isolert fra den utvendige atmosfæren. Versjoner uten manuell overstyring eller med manuell overstyring av impulstypen:
- med gjengede 1/4 (551) eller 1/2 (553) porter - 551, med 1/4" gjenget kobling, maks. portdybde 11,5 mm. (Ikke koble trykktilførselen til utblåsningsåpning 3. Den "miljøvennlige" konstruksjonen er ikke tilpasset en "distribusjons"-funksjon eller bruk i NO-funksjon. Ta kontakt med oss for funksjon tilgjengelig i spesifikke c-versjoner).
- med NAMUR-grensesnitt for direkte montering på enkeltløps (funksjon 3/2 NC) eller dobbeltløps (funksjon 5/2) trykkluftregulatorer. Ventilens funksjon kan konverteres fra 3/2 NC til 5/2 ved å montere den medfølgende 13/2 NC eller 5/2 grensesnittplaten på bunnen av ventilen (fig. 13a, 13b, ref 1a og 1b). **551, Max. 1/4", maks. portdybde 11,5 mm.** (Ikke koble trykktilførselen til utblåsningsåpning 3. Den "miljøvennlige" konstruksjonen er ikke tilpasset NO-funksjon. Ta kontakt med oss for funksjon tilgjengelig i spesifikke c-versjoner).
- Kobling av rør for de påkrevde funksjonene må skje i samsvar med denne dokumentasjonen og portmerkene på produktet.
- For å forhindre blokkering av ventilfunksjonen må du sørge for at det ikke kommer fremmedlegemer inn i kretsen. Bruk av tetningstape eller tetningsmiddel bør begrenses til et minimum.
- Disse ventilene er beregnet for bruk i forbindelse med ren og tørr luft eller uavirksom (inert) gass. Anbefalt minimumsfiltrering: 50 mikron. Væskens duggpunkt må være minst -10°C (18°F) lavere enn minstemperaturaturen som væsken kan bli eksponert for. Når det brukes oljeholdig luft, må smøremiddelet være kompatibel med elastomerene (elastiske kunststoffer) som benyttes. Instrumentluft som er i samsvar med ANSI/ISA-standard S7.3 (1975) overskrider de nødvendige kravene og er derfor en akseptabel væske for disse ventilene.
Alle utblåsningsporter på ventilene og pilotene må være beskyttet med utblåsningsvern av rustfritt stål. Disse utblåsningsvernene kobles til port 3 (3/2 NC) eller port 3 - 5/5/2. Når de brukes utendørs, eller oppbevares i lange perioder og/eller når de eksponeres for strenge miljøer (støv, væsker osv.) må det brukes utblåsningsvern. Påliteligheten til ventilene kan ikke garanteres hvis det brukes et annet utblåsningsvern enn det som følger med produktet.
- Tillatt temperaturområde: -40°C til +80°C (serie 551); -40°C til +60°C (serie 553).
- Maksimalt arbeidstrykk:
- 2 til 10 bar
- 2 til 8 bar (ISSC/PISC/PISCIS/CFSCIS/CFSDIS/CFVTIS)

BESKRIVELSE
ATEX 94/9/EC-versjoner: Se "Spesielle vilkår for sikker bruk".
Versjoner som er isolert fra atmosfæren: De interne delene av ventilen er isolert fra atmosfæren utenfor for å gi vern i aggressive miljøer. Alle utblåsningsporter på spoleventilen kan utstyres med rør, noe som gir bedre miljøvern og anbefales spesielt i følsomme områder som renrom og til bruk i farmasøytisk og matforedlende industri. Det er nødvendig å koble rør eller armarut til utblåsningsportene for å beskytte interne deler i spoleventilen hvis den brukes utendørs eller under vanskelige forhold (støv, væsker osv.).

SPEIELLE VILKÅR FOR SIKKER BRUK
ATEX 94/9/EC-versjoner: Ventilen må jordes (se "Montasje") Den maksimale væsketemperaturaturen må ikke være høyere enn romtemperaturaturen.
Spoleventilen må oppbevares i sin opprinnelige innpakning så lenge den ikke brukes. Verneeddelene må ikke fjernes fra tilkoblingsportene og spoleoperatørene.
Lagrisningsbetingelser: Beskyttet mot vær; oppbevaringstemperatur: -40 °C til +70 °C; relativ luftfuktighet: 95 %
Etter lagring i lav temperatur må spoleventilene gradvis bringes til driftstemperatur før de settes under trykk.

Spoleventilene er beregnet for bruk innenfor de tekniske spesifikasjoner som er angitt på navneplaten. Endringer av produktene må kun gjøres etter rådføring med produsenten eller hans representant. **Disse spoleventilene er beregnet til bruk i forbindelse med filtrert luft eller naturgass.** Ventilens største tillatte trykk må ikke overskrides = 10 bar (eller 8 bar med en Piezotronic pilotventil til ATEX Ex ia). Du må overholde minimumsverdien for styreventilene på 2 bar. Installasjon og vedlikehold av ventilen må kun utføres av kvalifisert personale.
- Standard IP65-klassifiserte luftdrevne versjoner eller versjoner for bruk i eksplosive atmosfærer forårsaket av gass, damp, dis eller støv i henhold til ATEX-direktiv 94/9/EC. (Soneklassifisering for denne versjonen er angitt på ATEX-merket, se E1).
Sikkerhetskode, serie 551: II 1 GD c T6 T85°C Ta -40°C til +65°C.
Sikkerhetskode, serie 553: II 2 GD c T6 (T85°C) -T5 (T100°C).
EC typeundersøkelse sertifikatnr. (serie 551): **INERIS 03 ATEX 0219 X**
Samsvar med de vesentlige helse- og sikkerhetskravene er sikret gjennom samsvar med de europeiske standardene **EN 13463-1** og **EN 13463-5**.

- **Spole-luft-drevne versjoner** utstyrt med spoleoperatører:
- IP65-forseglet eller
- sertifisert for bruk i eksplosive atmosfærer i henhold til ATEX-direktiv 94/9/EC

- **Versjoner med spoleoperatører med ASCO monteringspute**
- IP65-klassifisert som standard, eller for bruk i eksplosive atmosfærer II 3D IP65/IP67 eller ATEX Ex d, m, em, Ex ia (serie 551: II 1 GD/ Ex ia IIC IP65/IP67 eller serie 553: II 2 GD/ Ex ia IIC IP65/IP67).

- **Versjoner med styreventiler med CNOMO E06.05.80 (størrelse 30) eller CNOMO E06.36.120N (størrelse 15) monteringspute,**
- IP 65-klassifisert som standard, eller montering av styreventiler for bruk i eksplosive atmosfærer i h.h.t. ATEX Ex d eller EEx ia.
Advarsel (CNOMO-styreventiler): Soneklassifiseringen (ATEX 1999/92/EC) er i hovedsak definert av indikasjonene på navneskiltet fig. 10 og 20 (ref. E1 eller E2) på ventilhuset. Sikkerhetskode i henhold til ATEX-direktiv 94/9/EC: II 1 GD c T6 T85°C Ta -40°C til +65°C
EC typeundersøkelse sertifikatnr.: **INERIS 03 ATEX 0219 X**
Når dette produktet settes sammen med en styreventil i henhold til ATEX 94/9/EC, må du regne ut fra den minst fordelaktige kategorien, Maksimalt arbeidstrykk og temperaturen. Samsvar med de vesentlige helse- og sikkerhetskravene er sikret gjennom samsvar med de europeiske standardene **EN 13463-1** og **EN 13463-5**. Monteringsstillingene for styreventiler som vist i figur 4/5/14/15/21/22/23/24 og de indikerte strammemomentene må etterfølges.
Når det gjelder spoleoperatører og styreventiler i henhold til ATEX 94/9/EC, må man strengt holde seg til bruksanvisningen gitt i de spesifikke installasjonsinstruksjoner som kommer sammen med produktet.

MONTERING
ATEX 94/9/EC-versjoner: Sørg for at alle metall- eller ledende deler alltid er innbyrdes tilsluttede og jordat. Ventilhuset er jordat med festeskruen (se F). Ventilene kan monteres i en hvilken som helst stilling.

- **Versjoner med gjengede porter 1/4 (fig 3a), 1/2 (fig 3b):** Monter ventilen med to skruer (se 1) (følger ikke med).
Versjoner med NAMUR-grensesnitt (fig. 13a, 13b):
For spoleventilen monteres på styringen, må den innstilles for den påkrevde funksjon:
- Velg det grensesnittet som korresponderer med den påkrevde funksjon: 3/2 NC eller 5/2 (se 1a eller 1b).
- Påse at pakningen er riktig tilpasset (se 7).
- Monter grensesnittet under spoleventilen med de to medfølgende skruene (se 8). Påse at indikeringen for funksjonen finner seg på retursiden (polariseringsporet).
- Sett inn de to O-ringene (se 9).

ASCO	INSTALLASJONS- OG VEDLIKEHOLDSINSTRUKSER	3/2 NC	NO
	Serie 551 magnetventiler, messinghus, eller serie 551-553, hus av rustfritt stål, 1/4", 1/2" gjenger eller NAMUR-grensesnitt	5/2 - 5/3	

- Om nødvendig, sett styrepinnen på styringen:
- På 3/2 NC-funksjonsplaten: Ø 5-hullet er ved A1.
- På 5/2-funksjonsplaten: Ø 5-hullet er ved A2.
TRYKKLUFTKOPLING (fig. 3a, 3b, 13a OG 13b)
Avhengig av versjonen (3/2 NC eller 5/2) kan ett eller begge tilkoblingsvern av rustfritt stål brukes (se fig. 2).
- **Tilkobling av versjon med luftstyring:**
G 1/8 eller NPT 1/8 eller G 1/4 eller NPT 1/4.
- **Tilkobling av styreventilens utblåsninger**
Utblåsingene kan samles inn i henhold til versjonen som brukes.
- **Manuell overstyring**
Avhengig av versjon, leveres produktene uten manuell overstyring eller med manuell overstyring av impulstypen for drift uten strøm. Den manuelle overstyringen er angitt med symbolet (H) på fig. 4, 5, 14, 15, 21 til 24 og ref. 10 på fig. 3a, 3b, 13a, 13b.
Operatør av pulstypen eller vedlikeholdt (trykk/drei-type) manuell overstyring angis med symbolet (H) på fig. 3a, 3b, 13a og 13b tillater bruk uten strøm.

For bruk må den manuelle overstyringen være satt i utkoblet stilling "0" for å forhindre risiko for personskade eller skade på utstyret.
- **Tilpassing til ekstern pilottilførsel** (fig.3a, 3b, 13a et 13b, ref. 6)

- **Generelle anbefalinger for tilkobling av trykkluft**
Koble rørene for de påkrevde funksjonene i samsvar med denne dokumentasjonen og portmerkene på produktet.
Sørg for at det ikke kommer fremmedlegemer inn i systemet. Rørene må støttes og justeres for å forhindre mekanisk belastning på ventilen. Når du strammer må du ikke bruke ventilens som brekkestang. Sett skrunøkler så nær tilkoblingspunktet som mulig. For å unngå skade på utstyret må rørbolingene IKKE TREKES TIL FOR STRAMT.

- **Versjoner med gjengede porter 1/4 (fig 3a), 1/2 (fig 3b):**
Tilkobling av spoleventil:
Koble rørene til som anvist på merket:

- **3/2 NC-funksjon:**
Trykkinntak gjennom port 1 (1/4" eller 1/2" gjenger). Trykkutgang gjennom port 2.
Utblåsing gjennom port 3 (1/4" eller 1/2" gjenger).

- **5/2-funksjon:**
Trykkinntak gjennom port 1. Trykkutgang gjennom port 2 og 4.
Utblåsing kanaliseres gjennom ventilen til port 3 og 5.

- **Versjon med NAMUR-grensesnitt (fig. 13a,13b):**
Tilkobling av spoleventilen:
Koble rørene som vist på merkelappen:
- **3/2 NC-funksjon:**
Trykkinntak gjennom port 1 (1/4" eller 1/2" gjenger). Trykkutgang gjennom port 2. (messinghus: 1/8; hus av rustfritt stål: 1/4" eller 1/2" gjenger)
Tilspil fra returstyringen fjærkamre i den enkeltvirkende versjonen, er kanalisert gjennom ventilen til 1/8" port 3. Det anbefales å beskytte port 5 (dersom den ikke er i bruk) - **tilstoppe den ikke.**

- **5/2-funksjon:**
Trykkinntak gjennom port 1 (1/4" eller 1/2" gjenger). Trykkutgang ved port 2 og 4.

Utslippene er kanalisert gjennom ventilen til portene 3 og 5 (messinghus: 1/8; hus av rustfritt stål: 1/4" eller 1/2" gjenger).

- **Tilkobling av utblåsningsreduksjonsmuffe (hus av messing)**
Serie 551 spoleventiler leveres som bestilt med eller uten 1/8" utblåsningsreduksjonsmuffer, suffiks M (fig. 13a). Disse justerbare minitubblåsningsreduksjonsmuffene brukes til å justere regulatorens driftshastighet. De kan også kobles til (1/8 gjenger) for å samle utblåsingene.

Montasje / Justering (fig. 3a)
Versjon 3/2 NC = 1 utblåsningsreduksjonsmuffe settes på port 3
Versjon 5/2 = 2 utblåsningsreduksjonsmuffe settes på port 3 og 5
Sett skruen (4) på reduksjonsmuffen i hullet og skru den til den stopper. Skru den deretter ut for å øke utblåsningsflyten (aldri mer enn to omdreining, maks. flyt oppnås ved én omdreining).
Stram til låsemutteren (4a) med en 13 mm nøkkel.
Foreta en grovjustering før den settes under trykk og finjuster etterpå.

ELEKTRISK TILKOBLING
- **Versjon uten spoleholder med ASCO-grensesnitt:**
Se ytterligere installasjonsinstruksjoner som følger med hvert spolehode.
IP65-merket spoleoperatør (fig. 3a, 3b og 13a, 13b): Sett spolen på røret (kan roteres gjennom 360°) og deretter den fjernbare ISO 4400/EN 175101-803A-konnektoren (kabel dia 6-10 mm) som kan roteres 90° (3 pinner: 2 + jord).

- **Versjon med CNMO monteringspute:**
Se ytterligere monteringsinstruksjoner som følger med hver styreventil.

- **Generelle anbefalinger:**
Elektriske koblinger må gjøres av kvalifisert personell og i henhold til gjeldende lokale standarder og forskrifter.
Forsiktig!
- For eventuelle inngrep må du slå av strømmen slik at komponentene slås av.
- Avhengig av spenningen må elektriske komponenter være jordat i henhold til lokale standarder og forskrifter.
De fleste ventiler er utstyrt med spoler beregnet på kontinuerlig drift. For å redusere risikoen for personskade må man ikke berøre spoleoperatøren, som kan bli varm under normale driftsforhold. Hvis ventilen er lett tilgjengelig, må installatøren sette opp vern som forhindrer tilfeldig kontakt med spoleoperatøren.

VEDLIKEHOLD
For eventuelt vedlikeholdsarbeid eller for ventilen settes i drift, skal den slås av, trykket skal tas ut og ventilen ventileres for å redusere risikoen for skade på personer eller utstyr. ATEX-versjoner: Alle prosedyrer anbefalt av Alle prosedyrer som anbefales av direktiv 99/92/EC og tilknyttede standarder må følges nøye.

- **Rengjøring**
Vedlikehold av ventilene avhenger av driftsforholdene. De må rengjøres regelmessig. Under service bør komponentene kontrolleres for graden av slitasje. Komponentene må rengjøres når man merker en nedgang i takten, selv om trykket i styreventilen er korrekt, eller hvis det oppdages uvanlig støy eller det oppstår lekkasje.
- **Støy**
Støynivået avhenger av bruksområdet, mediet og typen utstyr som brukes. Nøyaktig fastsettelse av støynivået kan bare gjøres av brukeren som har ventilen installert i sitt system.
- **Forebyggende vedlikehold**
- Bruk ventilen minst én gang i måneden for å kontrollere funksjonaliteten.
- Hvis det oppstår problemer under vedlikehold eller hvis du er i tvil, vennligst ta kontakt med oss eller en av våre autoriserte representanter.
- **Feilsøking**
- Feil utgangstrykk: Kontroller trykket på ventilens tilførsels-side. Det må tilsvare verdiene som fremgår av navneplaten. **Forsiktig: du må overholde minimumsverdien for styreventilen på 2 bar.**
For å unngå skade på personer eller utstyr må du kontrollere at ventilen fungerer som den skal før du setter den tilbake i bruk.
- **Reservedeler**
Spoler er tilgjengelige som reservedeler.
Hvis nødvendig, skifter du ut hele ventilen.

ASCO	INSTALLATIONS- OCH UNDERHÅLLSINSTRUKTIONER Serie 551 magnetventiler, mässingskropp, eller serie 551-553, rostfri stål kropp, 1/4", 1/2" gänga eller NAMUR-koppling	3/2 NC	SE
		5/2 - 5/3	

BESKRIVNING AV GODKÄNNANDET

Utföranden som berörs av godkännandet (fig. 1 och 11):
Ventilkropp av mässing (serie 551) eller rostfritt stål (serie 551, 553), monostabil (fjäderretur) eller bistabil, 3/2 NC-funktion (normalt stängd) eller 5/2 version isolerad från den omgivande atmosfären. Utföranden utan manuell företrädesstyrning eller med manuell företrädesstyrning av impulstyp:

- med gängade portar 1/4 (551) eller 1/2 (553) - 551, med 1/4" gjenteg kobling, maks. portdybde 11,5 mm. (Anslut inte tryckkopplingen till utgångsport 3. Den "miljöskyddande" konstruktionen är inte anpassad för en "distribuerande" funktion eller använd NO-funktionen. Kontakta oss för mer om vilka funktioner som är tillgängliga för specifika versioner).

- med NAMUR-koppling för direkt montering till enkelverkande (funktion 3/2 NC) eller dubbelverkande (funktion 5/2) pneumatiska ställdon. Ventilens funktion kan konverteras från 3/2 NC till 5/2 genom att montera medlevererad 13/2 NC eller 5/2 kopplingsplatta underst på ventilen (fig. 13a, 13b, ref. 1a och 1b). 551, 1/4", maks. portdybde 11,5 mm. (Anslut inte tryckkopplingen till utgångsport 3. Den "miljöskyddande" konstruktionen är inte anpassad för NO-funktion. Kontakta oss för mer om vilka funktioner som är tillgängliga för specifika versioner).

- Anslut ledningarna för de önskade funktionerna enligt instruktionserna i den här dokumentationen och portmärkningen på produkten.

- Se till att inga främmande material som kan blockera ventilfunktionen kommer in i systemet. Försök att hålla användningen av tätningstejp eller andra tätningmaterial ett minimum.

- De här ventillerna är avsedda för användning med en ren och torr luft eller ådelgas. Rekommenderad minimumfiltrering: 50 mikron. Dagtpunkten för vätskan som används måste vara minst -10°C (18°F) under den minimumtemperatur som vätskan får utsättas för. Vid användning av smord luft måste smörjmedlet vara förenligt med de elaster som används. Pneumatisk luft i överensstämmelse med ANSI/ISA standard 57.3 (1975) överskrider nödvändiga krav och är därför en godkänd vätska för dessa ventiler.

⚠ Alla utgångsportar från ventiler och styrventiler måste skyddas med de rostfria utgångsskydden. Koppla utblåsskydden på port 3 (3/2 NC) eller port 3 - 5 (5/2). Utblåsskydd skall användas vid tillämpningar utomhus eller vid förvaring under längre tid, och/eller när de utsätts för svåra omgivningar (damm, vätskor etc.). Ventilens tillförlitlighet kan inte garanteras när det annat än det medlevererade utblåsskyddet används.

- Tillåtet temperaturområde: -40°C till +80°C (serie 551); -40°C till +60°C (serie 553).

- Maximum arbetstryck:

- 2 - 10 bar
- 2 - 8 bar (ISSC/PISC/PISCIS/CFSCIS/CFSDIS/CFVTIS)

BESKRIVNING

ATEX 94/9/EC-versioner: Se "Särskilda förhållanden för säker användning".

Versioner som är isolerade från atmosfären: Ventilens invändiga delar är isolerade från atmosfären utanför och skyddas därför vid användning i aggressiva miljöer. Alla utgångsportar på rundslidsventilen kan förses med förbindning, vilket ger bättre miljöskydd och rekommenderas särskilt i känsliga omgivningar såsom i "rena rum" och för tillämpningar inom läkemedels- och livsmedelsindustrin. Vid användning utomhus eller i krävande miljöer (damm, vätskor o dyli) är nödvändigt att ansluta ledningar eller fixturer till utgångsportarna för att skydda rundslidsventilens invändiga delar.

SÄRSKILDA FÖRHÅLLANDEN FÖR SÄKER ANVÄNDNING
ATEX 94/9/EC-versioner: Ventilen ska anslutas till jord (se "Montera").

Den maximalt tillåtna vätsketemperaturen får inte överstiga omgivningstemperaturen.

Rundslidsventilen ska förvaras i originalförpackningen så länge den inte används. Låt skydden på anslutningsportarna

och solenoidoperatörerna sitta kvar.

Förvaringsförhållanden: inomhus; förvaringstemperatur: -40°C - +70°C, relativ fuktighet: 95 %

Efter kall förvaring måste rundslidsventilen gradvis värmas upp till arbetstemperatur innan den sätts under tryck. Rundslidsventilerna är avsedda för att användas i enlighet med de tekniska egenskaper som står angivna på namnplattan. Modifikationer av produkterna är enbart tillåtet med godkänd från tillverkaren eller auktoriserad representant. De här solenoidrundslidsventilerna är konstruerade för att användas med filtrerad luft eller neutral gas. Ventilens maximalt tillåtna tryck får inte överstiga: 10 bar (eller 8 bar med en Piezotronic pilotventil med ATEX Ex ia). Observera minimum pilottryck på 2 bar. Installation och underhåll av ventilen får enbart utföras av behörig personal.

• **Standard IP65-märkta luftstyrda versioner** eller versioner för användning i explosiva atmosfärer som uppstår genom gaser, ånga, dimma eller damm enligt ATEX-direktiv 94/9/EC. (Zonklassificeringen för den här versionen anges på ATEX-etiketten, ref E1).
Skyddskod, serie 551: II 1 GD cT6T85°C Ta -40°C till +65°C. Säkerhetskod, serie 553: II 2 GD cT6 (T85°C) -T5 (T100°C). EC-typ provningscertifikat nr. (Serie 551): INERIS 03 ATEX 0219 X
Uppfyllande av Grundläggande Hälso- och Säkerhetskrav försäkras genom överensstämmelse med Europeiska Normer EN 13463-1 och EN 13463-5.

• **luftstyrda solenoidversioner** med solenoidoperatörer:
- IP65 tätad eller
- certifierad för användning i explosiva atmosfärer i enlighet med ATEX direktiv 94/9/EC

• **Versioner med solenoidoperatörer med ASCO monteringsplatta**
- IP65-märkt som standard eller för användning i explosiva atmosfärer II 3D IP65/IP67 eller ATEX Ex d, m, em, Ex ia (Serie 551: II 1G/2D Ex ia IIC IP65/IP67 eller serie 553: II 2G/D Ex ia IIC IP65/IP67).

• **Versioner med piloter med CNOMO E06.05.80 (storlek 30) eller CNOMO E06.36.120N (storlek 15) monteringsplatta**.
- IP 65-märkt som standard eller monterad med piloter för användning i explosiva atmosfärer i enlighet med ATEX Ex d eller EEX ia.
Varsamhet (CNOMO-piloter): Zonklassificeringen (ATEX 1999/92/EC) definieras huvudsakligen av vad som anges på typskylten fig. 10 och 20 (ref. E1 eller E2) på ventilkroppen. Skyddskod enligt ATEX-direktiv 94/9/EC: II 1 GD c T6 T85°C Ta -40°C till +65°C
Certifikatnr för EC typundersökning: INERIS 03 ATEX 0219 X

Ta hänsyn till den minst gynnsamma kategorin, maximum arbetstryck och temperaturen vid montering av den här produkten till en pilot till ATEX 94/9/EC. Uppfyllande av Grundläggande Hälso- och Säkerhetskrav försäkras genom överensstämmelse med Europeiska Normer EN 13463-1 och EN 13463-5. Styrventilernas monteringsposition såsom visas i figurerna 4/5/14/15/21/22/23/24 och de angivna åtdragningsmomenten måste iakttas.

För solenoidoperatörer och piloter till ATEX 49/9/EC, ska användarinstruktionerna i motsvarande installationsinstruktioner som medföljer produkten, strikt följas.

MONTERING

⚠ ATEX 94/9/EC-versioner: Se till att alla metalldelar eller ledande delar alltid är sammankopplade och jordade. Ventilstommen är jordad via fästskruven (ref F). Ventilerna kan monteras i valfri position.

Versioner med gängade portar 1/4 (fig 3a), 1/2 (fig 3b):
Montera ventilen med två skruvar (ref 1) (ingår ej).

Versioner med NAMUR-koppling (fig. 13a, 13b):
Innan rundslidsventilen monteras på operatören måste den först ställas in på önskad funktion:

- Välj den anslutningstyp som överensstämmer med önskad

ASCO	INSTALLATIONS- OCH UNDERHÅLLSINSTRUKTIONER Serie 551 magnetventiler, mässingskropp, eller serie 551-553, rostfri stål kropp, 1/4", 1/2" gänga eller NAMUR-koppling	3/2 NC	SE
		5/2 - 5/3	

funktion: 3/2 NC eller 5/2 (rep.1a eller 1b).

- Se till att packningen monterats korrekt (rep.7).
- Montera anslutningen under rundslidsventilen med de två medlevererade skruvarna (rep.8). Se till att funktionsindikereringen placeras på retursidan (polariseringsöppning).
- Placera de två O-ringarna (rep.9).
- Om nödvändigt, montera låsplanen på operatören:
- På 3/2 NC funktionsplatta: Ø 5 dia. år hål A1.
- På 5/2 funktionsplatta: Ø 5 dia. år hål A2.

PNEUMATISK ANSLUTNING (fig. 3a, 3b, 13a och 13b):

Beroende på versionen (3/2 NC eller 5/2) kan en eller båda utgångsskydden av rostfritt stål användas (se fig. 2).

- **Ansluta pneumatisk pilotutgång:**
G 1/8 eller NPT 1/8 eller G 1/4 eller NPT 1/4.
- **Ansluta pilotutblås**
Utblåsflöden kan hanteras enligt den version som används.
- **Manuell företrädesstyrning**
Beroende på utförandet, levereras produkten utan manuell företrädesstyrning eller med manuell företrädesstyrning av impulstyp för strömlös operation: Det manuelle nödreglaget anges med symbolen (H) i fig. 4, 5, 14, 15, 21 till 24, och ref. 10 i fig. 3a, 3b, 13a, 13b.
Det manuelle nödreglaget av impulstyp eller bibehållen typ (tryck/vrid), angivet med symbolen (H) i fig. 3a, 3b, 13a och 13b möjliggör körning utan kraft.

⚠ Se till att den manuella företrädesstyrningen står i tillbakaläget "0" för att förebygga risk för person och materialskada.

- **Anpassning till extern styrmatning** (fig. 3a, 3b, 13a och 13b, ref. 6)
- **Allmänna rekommendationer för pneumatiska anslutningar**
Anslut ledningarna för den önskade funktionen enligt instruktionserna i den här dokumentationen och portmärkningen på produkten.
Se till att inga främmande material kommer in i systemet. För att förebygga mekanisk belastning på ventilen är det viktigt att ledningarna har tillräckligt med stöd och är riktade korrekt. Använd inte själva ventilen för åtdragningen, placera momentnyckeln så nära anslutningspunkten som möjligt. Var rädd om verktygen, DRA INTE AT kopplingarna FÖR HÄRT.

• **Versioner med gängade portar 1/4 (fig 3a), 1/2 (fig 3b):**

- Anslut rundslidsventilen:**
Anslut ledningarna enligt etiketten:
- **3/2 NC-funktion:**
Tryckgång vid port 1 (1/4" eller 1/2" gänga). Tryckutgång vid port 2.
Utgång vid port 3 (1/4" eller 1/2" gänga).
- **5/2-funktion:**
Tryckintag vid port 1. Tryckuttag vid port 2 och 4.
Utblåsningen kanaliseras via ventilierna till port 3 och 5.

• **Utförande med NAMUR-koppling (fig 13a, 13b):**

- Anslut rundslidsventilen:**
Anslut ledningarna enligt etiketten:
- **3/2 NC-funktion:**
Tryckgång vid port 1 (1/4" eller 1/2" gänga). Tryckutgång vid port 2.
Utblås vid port 3 (mässingskropp: 1/8 ; rostfri stål kropp: 1/4" eller 1/2")
Utblåset från returstyrda fjäderkammare i den enkelverkande versionen kanaliseras via ventil port 3. Vi rekommenderar att skydda port 5 (om oanvänd) - **plugga inte till det.**
- **5/2-funktion:**
Tryckgång vid port 1 (1/4" eller 1/2" gänga). Utblåsningen kanaliseras via ventilierna till port 3 och 5 (mässingskropp: 1/8 ; rostfri stål kropp: 1/4" eller 1/2" gänga).

• **Koppla utblåsureducerare (mässingskropp):**
Serie 551 spolventiler levereras enligt order med eller utan miniatyr 1/8" utgångsreduktorer, suffix M (fig. 13a).

De justerande mini utblåsureducerarna används för att anpassa ställdonets arbetshastighet. De kan också kopplas (1/8 gänga) för att hantera utblåsflöden.

Montering / Justering (fig. 3a):
Version 3/2 NC = 1 utblåsureducerare som kopplas till port 3
Version 5/2 NC = 2 utblåsureducerare som kopplas till port 3 och 5
Sätt in skruven (4) på reduceraren i hålet och skruva fast den helt; öppna sedan skruven för att öka utblåsfördet (dock aldrig mer än två slag, max. flöde erhålls vid ett varv). Spänn fast låsmuttern (4a) med en 13 mm nyckel.
Grovinställ innan trycket slås på och finjustera när trycket är på.

ELEKTRISK ANSLUTNING

- **Utförande med magnethuvud med ASCO-koppling:**
Läs installationsinstruktionerna som levereras med respektive magnethuvud.
IP65-klass meghnetreglage (fig. 3a, 3b och 13a, 13b):
Montera spolen på röret (vridbar 360°) och sedan den löstagbara ISO 4400/EN 175101-803A kontakten (kabeldiam. 6-10 mm) vridbar 90° (3 stift: 2 + jord).

• **Utförande med CNOMO plattmontage:**
Läs installationsinstruktionerna som levereras med respektive pilotventil.

• **Allmänna rekommendationer:**
Elektriska anslutningar ska utföras av behörig tekniker och i enlighet med lokala normer och regler.

Varsamhet:

- Innan något utförs ska all strömförsörjning till komponenterna kopplas bort.
- Beroende på strömstyrka ska elektriska komponenter jordas enligt lokala normer och regler.
- De flesta ventiler har spolar som konstruerats för kontinuerlig drift. För att förebygga personskador, vidrör inte solenoidoperatören som kan bli mycket varm under normala driftförhållanden. Om solenoidventilen är lätt att komma åt ska installatören förse med lämpligt skydd för att förekomma oavsiktlig kontakt.

UNDERHÅLL

⚠ För att förebygga maskin- och personskada ska strömförsörjning och tryck ska vara bortkopplat och ventilen luftas innan underhåll eller driftsättning utförs. ATEX-luftas: Följ strängt alla procedurer rekommenderade i Direktivet 99/92/EC och tillhörande normer.

- **Rengöring**
Underhållet av ventilierna är beroende på driftförhållandena. De ska rengöras med regelbundna intervaller. Vid service ska komponenterna kontrolleras på överdrivet slitage. Det är dags att rengöra komponenterna när arbetscyklerna går långsammare trots att pilottrycket är rätt eller när ovanliga ljud eller läckage uppstår.

• **Buller**
Bullernivån är beroende på tillämpningen, medium och typen av utrustning som används. En korrekt mätning av bullernivån kan enbart utföras hos användaren där ventilen installerats i ett system.

- **Förebyggande underhåll**
- Driftsätt ventilen minst en gång i månaden för att kontrollera att den fungerar som den ska.
- Om problem uppstår vid underhåll eller vid tvivel, var god kontakta oss eller ett av våra auktoriserade ombud.

• **Problemösnung**
- Inkorrekt utgångstryck: Kontrollera trycket på ventilens matsidsa som ska korrespondera med värdena på namnplattan.
Varsamhet: observera att minimal pilottryck är 2 bar. För att förebygga person- och maskinskada, kontrollera att ventilen fungerar korrekt innan den sätts i drift igen.

- **Reservdelar**
Spolar kan beställas som reservdel. Om nödvändigt, byt ut hela ventilen.

ASCO	INSTRUÇÕES DE INSTALAÇÃO E MANUTENÇÃO Válvulas solenóides da série 551, corpo de latão, ou da série 551-553, corpo de aço inoxidável, rosca de 1/4", 1/2" ou interface NAMUR	3/2 NC	PT
		5/2 - 5/3	

DESCRIÇÃO DA APROVAÇÃO
Versões relacionadas com a aprovação (Fig. 1 - 11):
Corpo de latão (série 551) ou de aço inoxidável (série 551, 553), monoestável (retorno da mola) ou biestável, função 3/2 NC (normalmente fechada) ou 5/2, versão isolada da atmosfera exterior. Versões sem sobreposição manual ou com sobreposição manual de tipo impulso;
- com portas roscadas de 1/4 (551) ou 1/2 (553) - 551, com ligação de rosca de 1/4", profundidade de porta máx. de 11,5 mm. (Não ligue o fornecimento de pressão à porta de escape 3. A construção "ambientalmente protegida" não está adaptada para uma função "de distribuição" ou utilização na função NO. Contacte-nos para saber as funções disponíveis em versões específicas.).
- com interface NAMUR para montagem directa de accionadores pneumáticos de acção individual (função 3/2 NC) ou acção dupla (função 5/2). A função da válvula é convertível de 3/2 NC para 5/2 através da montagem da placa de interface 13/2 NC ou 5/2 fornecida na parte inferior da válvula (fig. 13a, 13b, ref. 1a e 1b). 551, 1/4", profundidade de porta máx. de 11,5 mm. (Não ligue o fornecimento de pressão à porta de escape 3. A construção "ambientalmente protegida" não está adaptada para a função NO. Contacte-nos para saber as funções disponíveis em versões específicas.).
- Ligue os tubos para as funções requeridas de acordo com esta documentação e as marcas das portas no produto.
- Certifique-se de que não entra nenhuma matéria estranha para evitar o bloqueio do funcionamento da válvula. Restrinja a utilização de fita vedante ou material vedante a um mínimo.
- Estas válvulas destinam-se à utilização com ar seco e limpo ou gás inerte. Filtragem mínima recomendada: 50 micrones. O ponto de condensação do fluido utilizado tem de estar a pelo menos -10°C (18°F) abaixo da temperatura mínima a que o fluido possa estar exposto. Quando utilizar ar lubrificado, o lubrificante tem de ser compatível com os elastómeros utilizados. O ar do instrumento em conformidade com as normas ANSI/ISA S7.3 (1975) excede os requisitos necessários e é, por isso, um fluido aceitável para estas válvulas.
Tem de proteger todas as portas de saída das válvulas e dos pilotos com protectores de escape à 3 (3/2 NC) ou às portas 3 - 5 (5/2). Quando utilizados no exterior ou guardados durante períodos de tempo mais longos, e/ou expostos a ambientes severos (poeiras, líquidos, etc.), tem de utilizar protectores de escape. A fiabilidade da válvula não pode ser garantida se utilizar um protector de escape diferente do fornecido.
- Intervalo de temperatura permitido: De -40°C a +80°C (série 551); de -40°C a +60°C (série 553).
- Pressão de trabalho máxima:
- de 2 a 10 bar
- de 2 a 8 bar (ISSC/PISC/PISCIS/CFSCIS/CFSDIS/CFVTIS)

DESCRIÇÃO
Versões ATEX 94/9/CE: Consulte as "Condições especiais para utilização segura".
Versões isoladas da atmosfera: As partes internas da válvula estão isoladas da atmosfera exterior para fornecer protecção em ambientes agressivos. Todas as portas de saída da válvula de carretos são ligáveis, fornecendo melhor protecção ambiente, recomendada especialmente para áreas sensíveis, como aplicações e salas limpas na indústria farmacêutica ou alimentar. É necessário ligar tubos ou acessórios às portas de saída para proteger as partes internas da válvula de carretos, se utilizada no exterior ou em ambientes severos (poeiras, líquidos, etc.).

CONDIÇÕES ESPECIAIS PARA UTILIZAÇÃO SEGURA
Versões ATEX 94/9/CE: A válvula tem de ser ligada à terra (ver "Montagem").
A temperatura máxima do fluido não deve exceder a temperatura ambiente.
A válvula de carretos deve ser mantida na embalagem original enquanto não for utilizada. Não deve remover as tampas de protecção das portas de ligação e dos operadores de solenóide.
Condições de armazenamento: protegida da exposição às condições meteorológicas; temperatura de armazenamento: de -40°C a +70°C; humidade relativa: 95 %
Depois do armazenamento a baixa temperatura, as válvulas

las de carretos têm de ficar gradualmente à temperatura de funcionamento antes da pressurização.
As válvulas de carretos devem ser utilizadas de acordo com as especificações técnicas especificadas na placa de identificação. As alterações aos produtos só podem ser efectuadas após consulta ao fabricante ou ao seu representante. **Estas válvulas de carretos de solenóide foram concebidas para operar com ar filtrado ou gás neutro.** Não exceda pressão máxima permitida da válvula = 8/10 bar (ou uma válvula piloto Piezotronic de 8 bar para ATEX Ex ia). Cumpra a pressão piloto mínima de 2 bar. A instalação e a manutenção da válvula devem ser efectuadas apenas por pessoal qualificado.
• **Versões operadas a ar IP65 standard** ou versões para utilização em atmosferas explosivas provocadas por gases, vapores, névoas ou poeiras de acordo com a Directiva ATEX 94/9/CE. (A classificação da zona desta versão é indicada na etiqueta ATEX, ref. E1).
Código de segurança, série 551: **II 1GD c T6 T85°C Ta De -40°C a +65°C**
Código de segurança, série 553: **II 1GDC T6 (T85°C) - T5 (T100°C)**.
Certificado de verificação de tipo CE nº (Série 551): **INERIS 03 ATEX 0219 X**
A conformidade com os requisitos essenciais de saúde e segurança foi garantida de acordo com as normas europeias **EN 13463-1 e EN 13463-5**.
• **Versões operadas a ar equipadas com operadores de solenóide:**
- IP65 vedada ou
- certificada para utilização em atmosferas explosivas de acordo com a Directiva ATEX 94/9/CE
• **Versões com operadores de solenóide e base de montagem ASCO.**
- IP65 classificada como standard, ou para utilização em atmosferas explosivas 3D IP65/IP67 ou ATEX Ex d, m, em, Ex ia (Série 551: **II 1G/2D Ex ia IIC IP65/IP67 ou série 553: II 2G/D Ex ia IIC IP65/IP67**).
• **Versões com pilotos e base de montagem CNOMO E06.05.80 (tamanho 30) ou CNOMO E06.36.120N (tamanho 15).**
- IP65 classificada como standard, ou montagem de pilotos para utilização de acordo com a ATEX Ex d ou a Ex ia.
A classificação da zona (ATEX 1999/92/CE) é definida principalmente pelas indicações na chapa de identificação fig. 10 e 20 (ref. E1 ou E2) no corpo da válvula.
Código de segurança de acordo com a Directiva ATEX 94/9/CE: **II 1 GD c T6 T85°C Ta De -40°C a +65°C**
Código de segurança de acordo com a Directiva ATEX 94/9/CE: **II 1 GD c T6 T85°C Ta De -40°C a +65°C**.
Certificado de verificação de tipo CE nº:
INERIS 03 ATEX 0219 X.
Quando montar este produto num piloto para ATEX 94/9/EC, tenha em atenção a temperatura, pressão de trabalho máxima e a categoria menos favorável. A conformidade com os requisitos essenciais de saúde e segurança foi garantida de acordo com as normas europeias **EN 13463-1 e EN 13463-5**. Tem de cumprir a posição de montagem dos pilotos apresentada nas fig. 4/5/14/15/21/22/23/24 e os binários de aperto indicados.
Para operadores de solenóide e pilotos ATEX 49/9/CE, as instruções de utilização fornecidas nas instruções de instalação específicas fornecidas com o produto têm de ser cumpridas.
MONTAGEM
Δ Versões ATEX 94/9/CE: Certifique-se de que todas as peças condutoras ou metálicas estão sempre interligadas e ligadas à terra. O corpo da válvula fica ligado à terra com o parafuso de aperto (ref. F).
As válvulas podem ser montadas em qualquer posição.
Versões de porta roscada 1/4 (fig 3a), 1/2 (fig 3b): Monte a válvula com dois parafusos (rep. 1) (não fornecida).
Versões com interface NAMUR (fig. 13a, 13b): Antes de montar a válvula de carretos no operador, tem de o definir para a função requerida:
- Seleccionar a interface correspondente à função requerida: 3/2 NC ou 5/2 (rep. 1a ou 1b).
- Certifique-se de que o vedante está instalado correctamente (rep. 7)
- Monte a interface debaixo da válvula de carretos com os 2 parafusos fornecidos (rep. 8). Certifique-se de que a

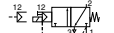
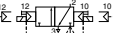


ASCO	INSTRUÇÕES DE INSTALAÇÃO E MANUTENÇÃO Válvulas solenóides da série 551, corpo de latão, ou da série 551-553, corpo de aço inoxidável, rosca de 1/4", 1/2" ou interface NAMUR	3/2 NC	PT
		5/2 - 5/3	

indicação da função fica no lado de retorno (ranhura de polarização).
- Instale os dois o-rings (rep. 9).
- Se necessário, instale o perno guia no operador:
• Na placa de funções da 3/2 NC: o orifício de 5 de diâmetro está na A1.
• Na placa de funções da 5/2: o orifício de 5 de diâmetro está na A2.
LIGAÇÃO PNEUMÁTICA (fig. 3a, 3b, 13a e 13b)
Dependendo da versão (3/2 NC ou 5/2), pode utilizar um dos protectores de saída de aço inoxidável (ver fig. 2).
• **Ligação da versão de piloto pneumático:** G 1/8 ou NPT 1/8 ou G 1/4 ou NPT 1/4.
• **Ligação de escapes do piloto**
Os escapes podem ser reunidos de acordo com a versão utilizada.
• **Sobreposição manual**
Dependendo da versão, os produtos são fornecidos **sem sobreposição manual ou com sobreposição manual de tipo impulso** para funcionamento sem corrente. A sobreposição manual é indicada com o símbolo (H) nas fig. 4, 5, 14, 15, 21 a 24, e ref. 10 nas fig. 3a, 3b, 13a, 13b. A sobreposição manual (empurrar/rodar) mantida ou de impulso indicada pelo símbolo (H) nas fig. 3a, 3b, 13a e 13b permite um funcionamento sem potência.
Δ Antes de colocar em funcionamento, certifique-se de que a substituição manual volta à posição de desengrenagem "0" para evitar o risco de danos físicos ou materiais.
• **Adaptação ao fornecimento do piloto externo** (fig. 3a, 3b, 13a e 13b, ref. 6)
• **Recomendações gerais para ligação pneumática**
Ligue os tubos para as funções requeridas de acordo com esta documentação e as marcas das portas no produto. Certifique-se de que não entra nenhuma matéria estranha no sistema.
Apoie e alinhe correctamente os tubos para impedir o esforço mecânico da válvula. Quando apertar, não utilize a válvula como uma alavanca; coloque as chaves de bocas junto ao ponto de ligação. Para evitar danos no equipamento, **NAO APERTE EXCESSIVAMENTE** as ligações do tubo.
• **Versões de porta roscada 1/4 (fig 3a), 1/2 (fig 3b):**
Ligação da válvula de carretos:
Ligue os tubos como indicado na etiqueta:
- **Função 3/2 NC:**
Entrada de pressão na porta 1 (Rosca de 1/4" ou 1/2"). Saída de pressão na porta 2.
Escape na porta 3 (Rosca de 1/4" ou 1/2").
- **Função 5/2:**
Entrada de pressão na porta 1. Saída de pressão nas portas 2 e 4. Os escapes são canalizados através da válvula para as portas 3 e 5.
• **Versão com interface NAMUR (fig 13a, 13b):**
Ligação da válvula de carretos
Ligue os tubos como indicado na etiqueta:
- **Função 3/2 NC:**
Entrada de pressão na porta 1 (Rosca de 1/4" ou 1/2"). Saída de pressão na porta 2.
Escape na porta 3 (corpo de latão: 1/8 ; corpo de aço inoxidável: rosca de 1/4" ou 1/2").
Escape a partir das câmaras da mola de retorno do operador na versão de acção individual através da válvula para a porta 3 de 1/8". Recomendamos que proteja a porta 5 (se não utilizada) - não a pare.
- **Função 5/2:**
Entrada de pressão na porta 1 (Rosca de 1/4" ou 1/2"). Saída de pressão nas portas 2 e 4.
Os escapes são canalizados através da válvula para as portas 3 e 5 (corpo de latão: 1/8 ; corpo de aço inoxidável: rosca de 1/4" ou 1/2").
• **Ligação dos redutores de escape (corpo de latão):**
As válvulas de carretos da série 551 são fornecidas como encomendadas com ou sem redutores de escape de 1/8" miniaturas, sufixo M (fig. 13a).
Estes redutores de escape ajustáveis são utilizados para ajustar a velocidade de funcionamento do accionador. Podem também ser ligados (rosca de 1/8) para recolher os escapes.

Montagem / Ajuste (fig. 3a):
Versão 3/2 NC = 1 redutor de escape para instalar na porta 3
Versão 5/2 = 2 redutores de escape para instalar nas portas 3 e 5
Encaixe o parafuso (4) do redutor no orifício e aparafuse-o até parar; rode-o para aumentar o fluxo de escape (**nunca mais de duas voltas**, fluxo máximo obtido numa volta). Aperte a porca de fixação (4a) com uma chave de porcas de 13 mm.
Efectue um ajuste preliminar antes da pressurização e um ajuste fino depois da pressurização.
LIGAÇÃO ELÉCTRICA
• **Versões com cabeças solenóides com interface ASCO:**
Consulte as instruções de instalação adicionais fornecidas com todas as cabeças solenóides.
Operador de solenóide IP65 (fig. 3a, 3b e 13a, 13b): Monte a bobina no tubo (rotação de 360°) e, em seguida, o conector ISO 4400/EN 175101-803A amovível (diâmetro do cabo 6-10 mm) com rotação de 90° (3 pinos: 2 + terra).
• **Versão com base de montagem CNOMO:**
Consulte as instruções de instalação adicionais fornecidas com todas as válvulas piloto.
• **Recomendações gerais:**
As ligações eléctricas têm de ser efectuadas por pessoal qualificado e de acordo com os regulamentos e as normas locais aplicáveis.
Precaução:
- Antes de efectuar qualquer intervenção, desligue a corrente eléctrica para desactivar os componentes.
- Dependendo da voltagem, os componentes eléctricos têm de ser ligados à terra de acordo com os regulamentos e as normas locais.
A maior parte das válvulas está equipada com bobinas concebidas para trabalho contínuo. Para evitar lesões corporais, não toque no operador de solenóide que pode ficar quente em condições de funcionamento normais. Se a válvula tiver acesso fácil, o instalador deve utilizar equipamento de protecção para evitar qualquer contacto acidental com o operador de solenóide.
MANUTENÇÃO
Δ Antes de efectuar qualquer trabalho de manutenção ou operação, desligue a corrente eléctrica, despressurize e descarregue a válvula para evitar lesões corporais ou danos no equipamento.
Versões ATEX: Cumpra todos os procedimentos recomendados pela Directiva 99/92/CE e normas associadas.
• **Limpeza**
A manutenção das válvulas depende das condições de funcionamento. Tem de ser limpas em intervalos regulares. Deve verificar se os componentes têm um desgaste excessivo durante a assistência. Tem de limpar os componentes quando uma desaccção do ciclo apesar da pressão do piloto estar correcta ou se detectar uma fuga ou ruído pouco usual.
• **Emissão de som**
A emissão de som depende da aplicação, material e tipo de equipamento utilizado. A determinação exacta do nível de som só pode ser efectuada pelo utilizador com a válvula instalada no sistema.
• **Manutenção preventiva**
- Opere a válvula pelo menos uma vez por mês para verificar o funcionamento.
- Se detectar algum problema durante a manutenção ou em caso de dúvida, contacte-nos ou um dos representantes autorizados.
• **Resolução de problemas**
- Pressão de saída incorrecta: Verifique a pressão no lado de fornecimento da válvula; tem de corresponder aos valores indicados na placa de identificação.
Precaução: cumpra valor mínimo de pressão do piloto de 2 bar.
Para evitar lesões corporais ou danos no equipamento, verifique se a válvula funciona correctamente antes de a voltar a colocar em funcionamento.
• **Peças sobresselentes**
As bobinas estão disponíveis como peças sobresselentes. Se necessário, substitua a válvula inteira.

ASCO	CONNECTION	GB	RACCORDEMENT	FR	ANSCHLUSS	DE
	RACORDAJE	ES	COLLEGAMENTO	IT	AANSLUITING	NL
	TILKOBLING	NO	ANSLUTNING	SE	TOIMINNAN	FI
	TILSLUGNING	DK	LIGAÇÃO	PT	ΣΥΝΔΕΣΗ ΑΝΑΛΟΓΑ ΜΕ ΤΗ	GR
	PRIPOJENI	CZ	PODŁĄCZENIE	PL	CSATLAKOZTATÁS	HU

Threaded versions / Versions taraudées / Gewindeausführungen / Versiones roscadas /
Versioni filettate / Getapte versies / Gjengede versjoner / Utföranden med gänga /
Kierreversiot / Gevind versjoner / Versões com rosca / Εκδόσεις με σπείρωμα
Verze se závitem / Wersje gwintowane / Menetes változatok

3/2 NC/NL/NF   **fig. 1**   **5/2**

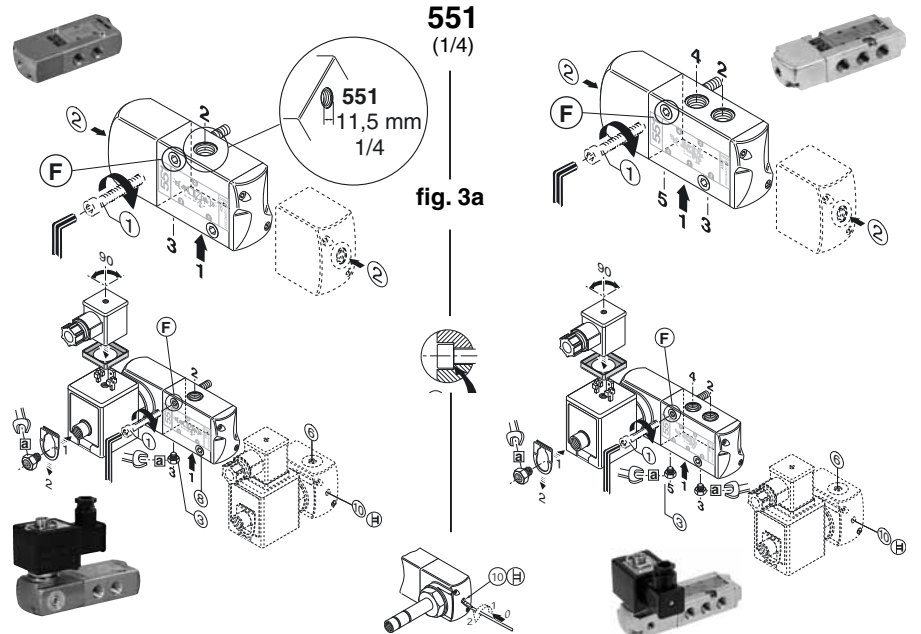



fig. 2  34600484 (M5)
34600418 (G1/8) 34600482 (NPT1/8)
34600419 (G1/4) 34600483 (NPT1/4)




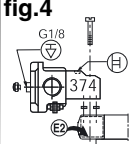
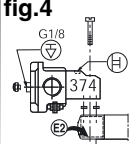
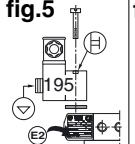
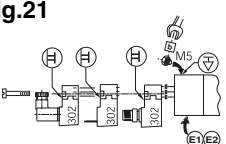
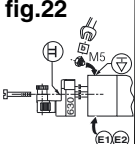


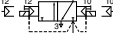
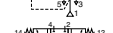

			3-4		
					
Rep.	N.m	Inch.Pounds			
a	10 ± 2	88 ± 18			
b	2 ± 2	18 ± 18			

fig. 4  **fig. 5**  **fig. 21**  **fig. 22**  **fig. 10** 

E1 **E2**

ASCO	CONNECTION	GB	RACCORDEMENT	FR	ANSCHLUSS	DE
	RACORDAJE	ES	COLLEGAMENTO	IT	AANSLUITING	NL
	TILKOBLING	NO	ANSLUTNING	SE	TOIMINNAN	FI
	TILSLUGNING	DK	LIGAÇÃO	PT	ΣΥΝΔΕΣΗ ΑΝΑΛΟΓΑ ΜΕ ΤΗ	GR
	PRIPOJENI	CZ	PODŁĄCZENIE	PL	CSATLAKOZTATÁS	HU

Threaded versions / Versions taraudées / Gewindeausführungen / Versiones roscadas /
Versioni filettate / Getapte versies / Gjengede versjoner / Utföranden med gänga /
Kierreversiot / Gevind versjoner / Versões com rosca / Εκδόσεις με σπείρωμα

3/2 NC/NL/NF   **fig. 1**   **5/2-5/3**

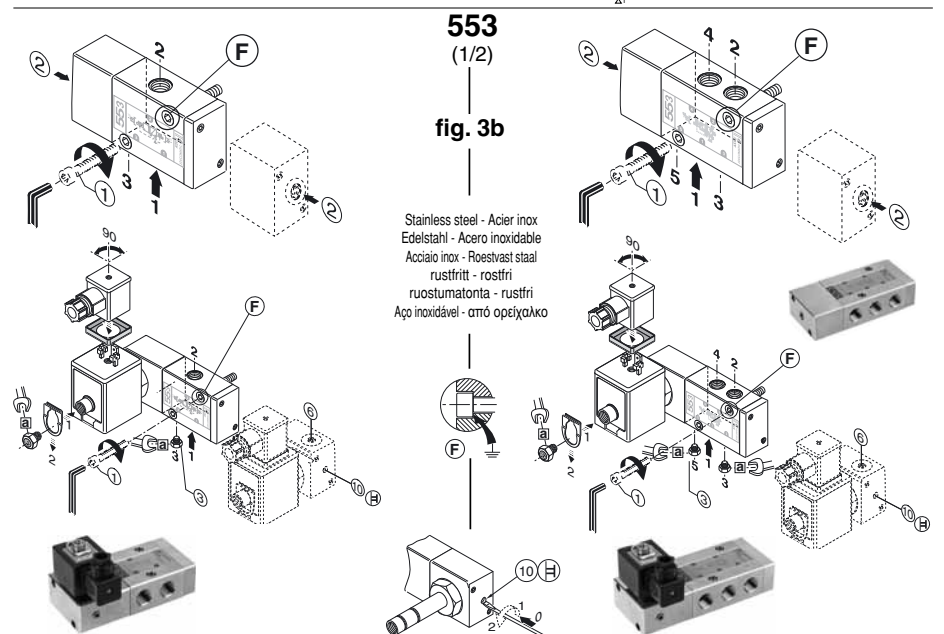



fig. 2  34600418 (G1/8) 34600482 (NPT1/8)
34600479 (G1/2) 34600481 (NPT1/2)

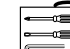



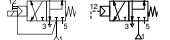
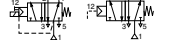
			3-4	
				
Rep.	N.m	Inch.Pounds		
a	10 ± 2	88 ± 18		
b	2 ± 2	18 ± 18		

fig. 10 

E1 **E2**

ASCO	CONNECTION	GB	RACCORDEMENT	FR	ANSCHLUSS	DE
	RACORDAJE	ES	COLLEGAMENTO	IT	AANSLUITING	NL
	TILKOBLING	NO	ANSLUTNING	SE	TOIMINNAN	FI
	TILSLUGNING	DK	LIGAÇÃO	PT	ΣΥΝΔΕΣΗ ΑΝΑΛΟΓΑ ΜΕ ΤΗ	GR
	PRIPOJENI	CZ	PODLĄCZENIE	PL	CSATLAKOZTATÁS	HU

NAMUR versions / Versions NAMUR / NAMUR-Ausführungen / Versiones NAMUR /
 versioni NAMUR / NAMUR-versies / NAMUR-versjoner / NAMUR-utföranden /
 NAMUR-versiot / NAMUR versioer / Versões NAMUR / Εκδόσεις NAMUR
 Verze s rozhraním NAMUR / Wersje NAMUR / NAMUR-változatok

3/2 NC/NL/NF  **fig. 11**  **5/2**

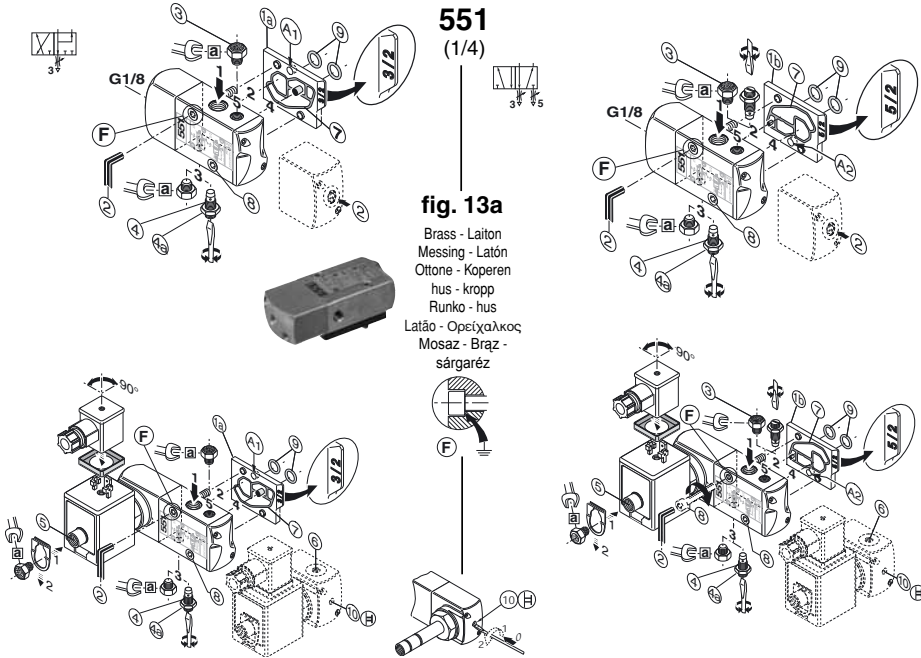

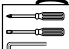



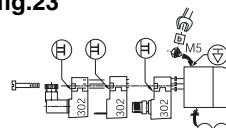
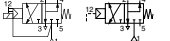
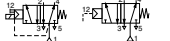


fig. 2		34600484 (M5) 34600418 (G1/8) 34600482 (NPT1/8)	  3 - 4 suitable
			 Rep. N.m Inch.Pounds [a] 10 ± 2 88 ± 18 [b] 2 ± 2 18 ± 18
	fig.23	fig.24	fig.20   E1 E2

ASCO	CONNECTION	GB	RACCORDEMENT	FR	ANSCHLUSS	DE
	RACORDAJE	ES	COLLEGAMENTO	IT	AANSLUITING	NL
	TILKOBLING	NO	ANSLUTNING	SE	TOIMINNAN	FI
	TILSLUGNING	DK	LIGAÇÃO	PT	ΣΥΝΔΕΣΗ ΑΝΑΛΟΓΑ ΜΕ ΤΗ	GR
	PRIPOJENI	CZ	PODLĄCZENIE	PL	CSATLAKOZTATÁS	HU

NAMUR versions / Versions NAMUR / NAMUR-Ausführungen / Versiones NAMUR /
 versioni NAMUR / NAMUR-versies / NAMUR-versjoner / NAMUR-utföranden /
 NAMUR-versiot / NAMUR versioer / Versões NAMUR / Εκδόσεις NAMUR
 Verze s rozhraním NAMUR / Wersje NAMUR / NAMUR-változatok

3/2 NC/NL/NF  **fig. 11**  **5/2**

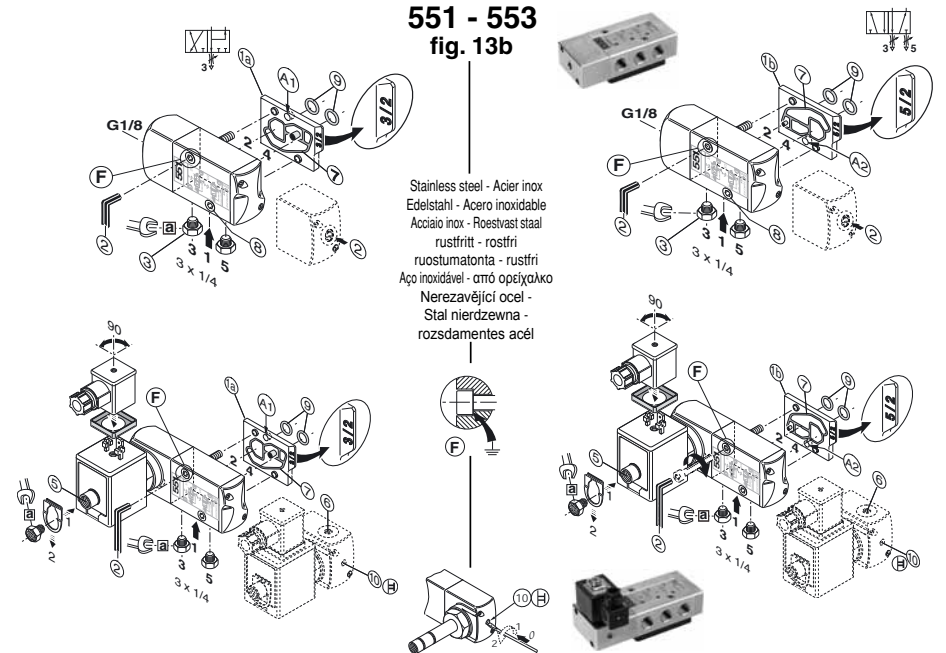

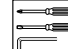



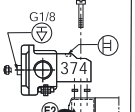


fig. 2		34600418 (G1/8) 34600482 (NPT1/8) 34600419 (G1/4) 34600483 (NPT1/4) 34600479 (G1/2) 34600481 (NPT1/2)	 (551)  3 - 4 suitable
			 Rep. N.m Inch.Pounds [a] 10 ± 2 88 ± 18 [b] 2 ± 2 18 ± 18
fig.14 (551)	fig.15 (551)		fig.20   E1 E2

