

<b>ASCO</b> <sup>TM</sup>	<b>Installation and Maintenance Instructions</b> Series 551 solenoid valves, brass body, or series 551-553, stainless steel body, 1/4", 1/2" thread or NAMUR interface	3/2 NC	<b>GB</b>
		5/2 - 5/3	

**DESCRIPTION OF THE APPROVAL**  
Versions concerned by the approval (fig. 1 and 11):  
**Brass body (series 551) or stainless steel body (series 551, 553), monostable (spring return) or bistable, 3/2 NC (normally closed) function or 5/2, version isolated from the outside atmosphere. Versions with or without manual override.**

- with threaded 1/4" (551) or 1/2" (553) ports - 551, with 1/4" threaded connection, max. port depth 11.5 mm, - (Do not connect the pressure supply to the exhaust port 3. The "environmentally-protected" construction is not adapted for a "distributing" function or use in NO function. Contact us for functions available in specific versions).
- with NAMUR interface for direct mounting to single acting (function 3/2 NC) or double acting (function 5/2) pneumatic actuators. A single spool valve can be adapted to two types of control by positioning the lower part: (fig. 13a, 13b, ref. 1a and 1b)
  - series 551 : of supplied interface plate 3/2 NC - 5/2
  - series 553 : of supplied interface plate 3/2 NC or 5/2

**551, max. 1/4" port depth = 11.5 mm. (Do not connect the pressure supply to the exhaust port 3. The "environmentally-protected" construction is not adapted for NO function. Contact us for functions available in specific versions).** Connect pipes for the required functions in accordance with this documentation and the port markings on the product.

- Make sure no foreign matter enters the circuit to prevent blocking the valve function. Restrict the use of sealing tape or sealing matter to a minimum.
- These valves are intended for use with clean and dry air or inert gas. Recommended minimum filtration: 50 microns. The dew point of the fluid used must be at least -10°C (18°F) below the minimum temperature to which the fluid may be exposed. When using lubricated air, the lubricant must be compatible with the elastomers used. Instrument air in compliance with ANSI/ISA standard 57.3 (1975) exceeds the necessary requirements and is, therefore, an acceptable fluid for these valves.

**⚠ All exhaust ports of the valves and pilots must be protected with the stainless steel exhaust protectors. Connect these exhaust protectors to port 3 (3/2 NC) or ports 3 - 5 (5/2) of the valves. When used outside, or stored for longer periods of time, and/or where exposed to harsh environments (dusts, liquids etc.), exhaust protectors must be used. The reliability of the valve cannot be guaranteed if an exhaust protection other than that supplied is used.**

- Max. operating pressure range:
  - 2 to 10,4 bar
  - 2 to 8 bar (195/LISC)

**GENERAL DESCRIPTION**  
**ATEX 94/9/EC versions:** See "Special conditions for safe use".  
**Versions isolated from atmosphere:** The internal parts of the valve are isolated from the outside atmosphere in order to provide protection in aggressive environments. All the exhaust ports of the spool valve are pipable, providing better environmental protection, particularly recommended for sensitive areas such as clean rooms and applications in the pharmaceutical or food processing industries. It is necessary to connect pipes or fittings to the exhaust ports to protect the internal parts of the spool valve if used outside or in harsh environments (dusts, liquids etc.).

**SPECIAL CONDITIONS FOR SAFE USE**  
ATEX 94/9/EC: The valve must be connected to ground (ref. F). Storage conditions: protected from exposure to weather; storage temperature: -40°C to +70°C; relative humidity: 95%  
The spool valve must be kept in its original packaging as long as it is left unused. The protective covers must not be removed from the connection ports and solenoid operators. Ambient temperature: -40°C to +60°C (+80°C, 551, stainless steel) The max. temperature of the fluid does not exceed the ambient temperature.  
**After storage at low temperature, the spool valves must gradually be brought to operating temperature prior to pressurisation.**  
The spool valves are intended to be operated within the technical characteristics specified on the nameplate. Changes to the

products may only be made after consulting the manufacturer or his representative. **These solenoid spool valves are designed to operate with filtered air or neutral gas.** Do not exceed the maximum allowable pressure of the valve = 8/10,4 bar. Caution: observe the minimum pilot pressure of 2 bar. Installation and maintenance of the valve must be carried out by qualified personnel only.  
• Standard IP65-rated air operated versions or versions for use in explosive atmospheres caused by gases, vapours, mists or dusts according to ATEX Directive 94/9/EC. (The zone classification for this version is stated on the ATEX label, ref. E2).

E2/Safety code: **II 2GD IIC X Ta 60°C T85°C (T6).**  
Compliance with the Essential Health and Safety Requirements has been assured by compliance with the European Standard **EN 13463-1**.  
• Solenoid-air operated versions fitted with solenoid operators:  
- IP65 sealed or  
- certified for use in explosive atmospheres according to ATEX Directive 94/9/EC  
• Versions with solenoid operators with ASCO mounting pad, IP65-rated as standard, or for use in explosive atmospheres II 3D IP65 or ATEX/IECEx Ex d, m, ex, ia.  
• Versions with pilots with CNOMO E06.05.80 (size 30) mounting pad, IP 65-rated as standard, or mounting of pilots for use in explosive atmospheres according to ATEX Ex d or Ex ia. **Caution (CNOMO pilots): Placing the valves into zones (ATEX 1999/92/EC) is defined in first line by the indications on the label (ref. E2) on the body of each valve.**  
E2/Safety code: **II 2GD IIC X Ta 60°C T85°C (T6).**

**When assembling this product to a pilot to ATEX 94/9/EC, take the least favourable category, maximum working pressure and temperature into account.** Compliance with the Essential Health and Safety Requirements has been assured by compliance with the European Standards **EN 13463-1**. The mounting position for the pilots as shown in figures 5/6/7/8/10 and the indicated tightening torques must be observed.  
**For solenoid operators and pilots to ATEX 94/9/EC, the instructions for use given in the specific Installation Instructions provided with the product must be strictly followed.**

**⚠ ATEX 94/9/EC versions:** Make sure that all metal or conductive parts are always interconnected and connected to earth. The valve body is connected to earth with the fastening screw (ref. F). The valves may be mounted in any position.

**Threaded port versions (fig. 3a, 3b):**  
Mount the valve with two screws (ref. 1) (not supplied).  
**Versions with NAMUR interface (fig. 13a, 13b):**

**NAMUR mounting pad:** Before mounting the spool valve on the actuator, it must be set to the required function. (ref. 1a or 1b)  
- Series 551 : Take the interface plate and rotate it 180° to position it in the recommended 3/2 NC or 5/2 function.  
- Series 553 : Select the interface plate corresponding to the recommended 3/2 NC or 5/2 function.  
- Make sure the seal is properly seated (ref. 7).  
- Mount the interface plate under the spool valve with the 2 supplied screws (ref. 8) and observe the mounting direction. Make sure the indication of the function is placed on the return side (polarising slot).  
- Fit the two O-rings (ref. 9).  
- Place the polarising pin on the actuator if necessary; The polarising slot Ø 5 on the 3/2 interface plate is at A1. The polarising slot Ø 5 on the 5/2 interface plate is at A2.

**PNEUMATIC CONNECTION (fig. 3a, 3b, 13a and 13b)**  
Depending on the version (3/2 NC or 5/2), one or both stainless steel exhaust protectors can be used (see fig. 2).

• **Connection of pneumatic pilot version:**  
G 1/8 or NPT 1/8 or G 1/4 or NPT 1/4.

<b>ASCO</b> <sup>TM</sup>	<b>Installation and Maintenance Instructions</b> Series 551 solenoid valves, brass body, or series 551-553, stainless steel body, 1/4", 1/2" thread or NAMUR interface	3/2 NC	<b>GB</b>
		5/2 - 5/3	

• **Connection of pilot exhausts**  
The exhausts can be collected according to the version used.

• **Manual override**  
Depending on the version, the products are supplied with or without manual override for operation without power. The manual override is indicated with the symbol (H) on fig. 7, and ref. 10 on fig. 3a, 3b, 13a, 13b. The impulse-type or maintained (push/turn type) manual override indicated by the symbol (H) on fig. 3a, 3b, 13a and 13b allows operation without power.

**⚠ Prior to any putting into operation, make sure the manual override is returned to its disengage position "0" to prevent the risk of personal injury or damage to equipment.**

• **Adaption to external pilot supply (fig. 3a, 3b, 13a et 13b, ref. 6)**

• **General recommendations for pneumatic connection**  
Correctly support and align the pipes to prevent mechanical strain on the valve. When tightening, do not use the valve as a lever; locate wrenches as close as possible to connection point. To avoid damage to the equipment, DO NOT OVERTIGHTEN pipe connections.

• **Threaded 1/4-1/2 (fig 3a, fig 3b) port versions:**  
**Connection of the spool valve:**  
Connect pipes as indicated on the label:  
- **3/2 NC function:**  
Pressure inlet at port 1 (1/4" or 1/2" thread). Pressure outlet at port 2. Exhaust at port 3 (1/4" or 1/2" thread).  
- **5/2 function:**  
Pressure inlet at port 1. Pressure outlet at ports 2 and 4. The exhausts are channelled through the valve to ports 3 and 5.

• **Versions with NAMUR interface (fig. 13a, 13b):**  
**Connection of the spool valve:**  
Connect pipes as indicated on the label:

- **3/2 NC function:**  
Pressure inlet at port 1 (1/4" or 1/2" thread). Pressure outlet at port 2. Exhaust at port 3. (brass body: 1/8; stainless steel body: 1/4" or 1/2" thread).  
Exhaust from the return spring chambers of the single acting actuator is channelled through the spool valve to port 3. It is recommended to protect port 5 (if not used). **Do not seal it.**

- **5/2 function:**  
Pressure inlet at port 1 (1/4" or 1/2" thread). Pressure outlet at ports 2 and 4. The exhausts are channelled through the valve to ports 3 and 5 (brass body: 1/8; stainless steel body: 1/4" or 1/2" thread).

**Connection of exhaust reducers (brass body)**  
Series 551 spool valves are supplied as ordered with or without miniature 1/8" exhaust reducers, suffix M (fig. 13a). These adjustable mini exhaust reducers are used to adjust the actuator's operating speed. They can also be connected (1/8 thread) to collect the exhausts.  
**Assembly / Adjustment (fig. 3a):**  
Version 3/2 NC - 1 exhaust reducer to be fitted to port 3  
Version 5/2 - 2 exhaust reducers to be fitted to ports 3 and 5  
Engage the screw (4) on the reducer into the hole and screw it in until it stops; next turn it out to increase the exhaust flow (**never more than two turns**, max. flow obtained at one turn).  
Tighten the locknut (4a) with a 13 mm wrench. Make rough adjustment before pressurisation and fine-tune after pressurisation.

**ELECTRICAL CONNECTION**  
**Before any intervention, turn off the electrical current to power off the components.**

All screw terminals must be tightened to the appropriate torque prior to operation.  
Make the connection to earth for versions > 48 V.  
• **Version with solenoid operators with ASCO interface:**  
See additional installation instructions supplied with every solenoid operator.  
IP65-rated solenoid operator (fig. 3a, 3b and 13a, 13b): Mount the coil on the tube (rotatable through 360°) and then the removable ISO 4400/EN 175101-803A connector (cable dia 6-10 mm) rotatable by 90° (3 pins: 2 + earth).

• **Version with CNOMO pad mounting:** See additional installation instructions supplied with every pilot valve.

• **General recommendations:**  
Electrical connections must be made by qualified personnel and according to applicable local standards and regulations. Please note:  
- Depending on the voltage, electrical components must be grounded according to local standards and regulations. Most valves are equipped with coils designed for continuous duty. To prevent the risk of personal injury, do not touch the solenoid operator which can become hot under normal operating conditions. If the valve is easily accessible, the installer must provide for protection against accidental contact of the solenoid operator.

**⚠ Maintenance**  
**⚠ Prior to any maintenance work or putting into operation, power off, depressurise and vent the valve to prevent the risk of personal injury or damage to equipment.**  
**ATEX versions: Strictly follow all procedures recommended by Directive 99/92/EC and associated standards.**

• **Cleaning**  
Maintenance of the valves depends on the operating conditions. They must be cleaned at regular intervals. During servicing, the components must be checked for excessive wear. The components must be cleaned when a slowing down of the cycle is noticed even though the pilot pressure is correct or if any unusual noise or a leak is detected.

• **Sound emission**  
The exact determination of the sound level can only be carried out by the user having the valve installed in his system. The emission of sound depends on the application, fluid and type of equipment used.

• **Preventive maintenance**  
- Operate the valve at least once a month to check its function.  
- If problems arise during maintenance or in case of doubt, please contact us or one of our authorised representatives.

• **Troubleshooting**  
- Incorrect outlet pressure: Check the pressure on the supply side of the valve; it must correspond to the values indicated on the nameplate.

**Caution: observe the minimum pilot pressure value 2 bar.**  
To avoid personal injury or damage to equipment, check that the valve operates correctly before putting it back into operation.

• **Spare parts**  
Coils are available as spare parts.  
If necessary, replace the entire valve.

508750-001 / A Availability, design and specifications are subject to change without notice. All rights reserved.

<b>ASCO</b> <sup>TM</sup>	Instructions de mise en service et d'entretien Distributeurs Série 551, corps laiton ou Séries 551-553, corps acier inox tarudé 1/4, 1/2 ou à plan de pose NAMUR	3/2 NF	FR
		5/2 - 5/3	

**DESCRIPTION DE LA CERTIFICATION**  
Versions concernées par cette mise en service (fig 1 et 11):  
Corps laiton (Série 551) ou acier inox (Séries 551, 553),  
monostable (rappel ressort) ou bistable, version 3/2 NF  
(normalement fermée) ou 5/2, versions étanches par rapport  
à l'atmosphère. Versions sans ou avec commande  
manuelle :

- à raccordement tarudé 1/4 (551) ou 1/2 (553) - 551, profond max des orifices de raccordement 11,5 mm (Ne pas raccorder l'alimentation de pression à l'orifice 3 d'échappement. La construction "étanche à l'atmosphère" n'est pas adaptée pour la fonction "distributrice" et une utilisation en fonction NO. Fonctions disponibles en version spécifique, nous consulter).
- à plan de pose suivant recommandation type NAMUR pour adaptation directe sur actionneur pneumatique simple effet (fonction 3/2 NF) ou double effet (fonction 5/2).

Un même distributeur s'adapte aux deux types de commande par mise en place à la partie inférieure : (fig. 13a, 13b, rep. 1a et 1b)  
- série 551 : de la plaque interface 3/2 NF - 5/2 fournie  
- série 553 : de l'une des deux plaques interface 3/2 NF ou 5/2 fournies

**551, 1/4, profond max des orifices de raccordement 11,5 mm (Ne pas raccorder l'alimentation de pression à l'orifice 3 d'échappement. La construction "étanche à l'atmosphère" n'est pas adaptée pour la fonction NO. Fonctions disponibles en version spécifique, nous consulter).**

- Raccorder les tuyauteries suivant les fonctions souhaitées en tenant compte des repères d'orifices marqués sur le produit et dans cette documentation.

- Veiller à ce qu'aucun corps étranger ne pénètre dans le circuit afin d'éviter tout blocage de la vanne. Limiter l'utilisation de ruban ou pâte d'étanchéité.

- Ces distributeurs et électrodistributeurs doivent être utilisés que sur air, propre et sec, ou un gaz neutre. Filtration minimale recommandée 50 microns. Le point de rosé du fluide utilisé doit être au minimum de -10°C (18°F) en dessous de la température minimale à laquelle le fluide peut être soumis. En cas d'utilisation d'air lubrifié, le lubrifiant doit être compatible avec les élastomères utilisés. La qualité "air instrument" définie par la norme ANSI/ISA S7.3 (1975) est supérieure aux exigences requises et constitue de fait, un "media" acceptable pour ces vannes.

**⚠ Protéger les orifices d'échappement des distributeurs et des pilotes au moyen des protecteurs d'échappement en acier inox. Pour le distributeur, raccorder ces protecteurs au port 3 (3/2 NF) ou aux ports 3 - 5 (5/2). En ambiance extérieure, stockage prolongé, et/ou en présence de poussières, liquides et agents présents dans l'environnement, la présence de protecteurs d'échappement est impérative. La fiabilité de la vanne ne sera pas garantie en cas d'utilisation d'un moyen de protection des échappements différent que ceux préconisés.**

- Plage de pression maximale de fonctionnement :

- 2 à 10,4 bar
- 2 à 8 bar (195/LISC)

#### DESCRIPTION GENERALE

Versions ATEX 94/9/CE : Voir "conditions spéciales pour une utilisation sûre".

Versions étanches par rapport à l'atmosphère : Les composants internes du distributeur sont isolés de l'atmosphère extérieure, le protégeant ainsi de tout environnement agressif. Tous les orifices d'échappements étant canalissables, ils assurent une meilleure protection de l'environnement, particulièrement recommandée pour les installations en zones sensibles telles que salles blanches, industries pharmaceutiques ou agro-alimentaires. Il est nécessaire de canaliser ou d'équiper les échappements pour protéger les composants internes du distributeur dans le cas d'utilisation à l'extérieur ou en environnement difficile (poussières, liquides ou autres agents).

**CONDITIONS SPECIALES POUR UNE UTILISATION SURE**  
ATEX 94/9/CE : Le distributeur doit être relié à la terre (réf. F). Conditions de stockage : à l'abri des intempéries; température : - 40°C à +70°C; humidité relative : 95 %  
En cas de stockage prolongé avant mise en service, le distributeur doit rester dans son emballage d'origine. Les éléments de protection des orifices de raccordement et des

têtes magnétiques doivent rester en place. Température ambiante : -40°C à +60°C (+80°C, 551, acier inox). La température maximale du fluide ne doit pas excéder la température ambiante.

Après stockage à basse température, les distributeurs doivent être remis progressivement à la température ambiante de fonctionnement avant la première mise sous pression. Les distributeurs sont conçus pour les domaines de fonctionnement indiqués sur la plaque signalétique. Aucune modification ne peut être réalisée sur le matériel sans l'accord préalable du fabricant ou de son représentant. Ces distributeurs sont prévus pour fonctionner sur air ou gaz neutres filtrés. Ne pas dépasser la pression maximale admissible 8/10,4 bar. Respecter la valeur minimale de pression de pilotage de 2 bar. La mise en service et l'entretien de ces produits doivent être réalisés par un personnel compétent.

• Versions à commande pneumatique standard IP65 ou prévues pour atmosphères explosibles sous forme de gaz, vapeurs, brouillards et poussières selon la directive ATEX 94/9/CE. (Le classement en zone de cette version est définie par l'étiquette ATEX, rep.E2).  
E2/Mode de protection: II 2GD IIC X Ta 60°C T85°C (T6)  
Le respect des exigences essentielles en ce qui concerne la sécurité et la santé est assuré par la conformité à la norme européenne EN 13463-1.

• Versions à commande électropneumatique équipées de têtes magnétiques :  
- étanches IP65 ou  
- certifiées pour atmosphères explosibles selon Directive ATEX 94/9/CE

• Versions têtes magnétiques selon plan de pose ASCO, standard IP65 ou pour atmosphères explosibles, II 3D IP65 ou ATEX/IECEx Ex d, m, em, ia.

• Versions à pilotes, selon plan de pose CNOMO E06.05.80 (taille 30), standard IP 65 ou montage de pilotes pour atmosphères explosibles ATEX, Ex d ou Ex ia.  
**Attention (pilotes CNOMO) : Le placement en zones (ATEX 1999/92/CE), est défini prioritairement par le marquage indiqué sur l'étiquette (rep. E2) placée sur le corps du distributeur.**  
E2/Mode de protection: II 2GD IIC X Ta 60°C T85°C (T6))

Prendre en compte la catégorie, les pressions de fonctionnement et la température la moins favorable lors d'un assemblage avec un pilote ATEX 94/9/CE. Le respect des exigences essentielles en ce qui concerne la sécurité et la santé est assuré par la conformité à la norme européenne EN 13463-1. Respecter le sens de montage des pilotes indiqué par les figures 5/6/7/8/10 et les couples de serrage indiqués. Pour les têtes magnétiques et pilotes ATEX 94/9/CE, suivre impérativement les prescriptions d'utilisation décrites dans chaque notice de mise en service spécifique fournie avec le produit.

#### MONTAGE

**⚠ Versions ATEX 94/9/CE :** S'assurer que toutes les parties métalliques ou conductrices soient toujours interconnectées et reliées à la terre. La liaison à la terre du corps de distributeur se fait par montage de la vis de fixation (rep. F). Les distributeurs peuvent être montés dans n'importe quelle position.

Versions tarudés (fig. 3a, 3b) :  
Monter le distributeur à l'aide de deux vis (rep. 1), non fournies.  
Versions à plan de pose NAMUR (fig. 13a, 13b) :

Avant montage du distributeur sur l'actionneur, adapter l'appareil à la fonction souhaitée. (rep. 1a ou 1b)  
- Série 551 : Prendre la plaque interface et la positionner par retournement de 180° dans la fonction 3/2 NF ou 5/2 préconisée.

- Série 553 : Sélectionner la plaque interface correspondant à la fonction 3/2 NF ou 5/2 préconisée.

- S'assurer de la présence et de la mise en place correcte du joint de forme (rep.7).

- Assembler la plaque sous le distributeur à l'aide des 2 vis (rep.8) fournies, en respectant le sens de montage: le repère de fonction doit être placé coté rappel (détrompeur).

- Monter les deux joints toriques (rep.9).

- Placer, si nécessaire, le pion de détrompage sur l'actionneur:

- Sur la plaque 3/2, le trou de détrompage Ø 5 se situe en A1.
- Sur la plaque 5/2, le trou de détrompage Ø 5 se situe en A2.

<b>ASCO</b> <sup>TM</sup>	Instructions de mise en service et d'entretien Distributeurs Série 551, corps laiton ou Séries 551-553, corps acier inox tarudé 1/4, 1/2 ou à plan de pose NAMUR	3/2 NF	FR
		5/2 - 5/3	

**RACCORDEMENT PNEUMATIQUE (fig. 3a, 3b, 13a et 13b)**  
Selon la version 3/2 NF ou 5/2, un ou deux protecteurs d'échappement en acier inox peuvent être ajoutés(s), voir fig. 2.

- Raccordement du pilotage version pneumatique : G 1/8 ou NPT 1/8 ou G 1/4 ou NPT 1/4.
- Raccordement des échappements de pilotage
- Possibilité de collecter les échappements selon les versions.
- Commande manuelle

Selon les versions les produits sont fournis sans ou avec une commande manuelle, pour fonctionnement hors tension.. Elle est signalée par le symbole (H), sur les fig. 7, et par le rep. 10 sur les fig. 3a, 3b, 13a, 13b.  
La commande manuelle à impulsion ou à position maintenue (type pousser/tourner), signalée par le symbole (H) sur les fig. 3a, 3b, 13a et 13b, permet le fonctionnement hors tension.

**⚠ Avant toute opération de remise en marche, valider le retour en position "0" (non-enclenchée) de la commande manuelle, pour prévenir tout risque d'accident corporel ou matériel.**

• Adaptation en alimentation externe du pilotage (fig.3a, 3b, 13a et 13b, rep.6)

• Recommandations générales pour raccordement pneumatique  
Soutenir et aligner correctement les tuyauteries pour éviter toute contrainte mécanique sur le distributeur. Au serrage, ne pas se servir de l'appareil comme d'un levier; Positionner les clés de serrage aussi près que possible du point de raccordement. Afin d'éviter toute détérioration, NE PAS TROP SERRER les raccords des tuyauteries.

• Versions tarudés 1/4-1/2 (fig 3a, fig 3b) :  
Raccordement du distributeur :

Raccorder les tuyauteries en fonction des repères indiqués sur l'étiquette.

- Fonction 3/2 NF :  
Arrivée de pression par l'orifice 1 (1/4 ou 1/2). Utilisation par l'orifice 2. Echappement par l'orifice 3 (1/4 ou 1/2)

- Fonction 5/2 :  
Arrivée de pression par l'orifice 1. Utilisation par les orifices 2 et 4.  
Les échappements sont canalisés vers les orifices 3 et 5.

• Versions à plan de pose NAMUR (fig 13a, 13b) :  
Raccordement du distributeur :

Raccorder les tuyauteries en fonction des repères indiqués sur l'étiquette.

- Fonction 3/2 NF :  
Arrivée de pression par l'orifice 1 (1/4 ou 1/2). Utilisation par l'orifice 2. Echappement par l'orifice 3 (corps laiton : 1/8 ; corps acier inox : 1/4 ou 1/2).

L'échappement des chambres des ressorts de rappel de l'actionneur simple effet est canalisé à travers du distributeur vers l'orifice 3 raccordable. Il est recommandé de protéger l'orifice 5 (non utilisé) tout en évitant de l'obturer.

- Fonction 5/2 :  
Arrivée de pression par l'orifice 1 (1/4 ou 1/2). Utilisation par les orifices 2 et 4.

Les échappements de l'actionneur sont canalisés à travers du distributeur vers les orifices 3 et 5 (corps laiton : 1/8 ; corps acier inox : 1/4 ou 1/2).

**Raccordement des réducteurs d'échappement (corps laiton)**  
Suivant la demande, les distributeurs série 551 sont fournis sans ou avec réducteurs d'échappement miniatures 1/8, suffixe M (fig. 13a).

Ces mini-réducteurs d'échappement réglables permettent d'adapter la vitesse de manœuvre de l'actionneur. Ils sont également raccordable (filetage 1/8) pour collecter les échappements.

Montage / Réglage (fig. 13a) :

Version 3/2 NF = 1 réducteur à adapter sur l'orifice 3  
Version 5/2 = 2 réducteurs à adapter sur les orifices 3 et 5

Serrer dans l'orifice la vis (4) du réducteur jusqu'en butée, puis dévisser pour augmenter le débit d'échappement sans jamais dépasser 2 tours (débit maxi obtenu à partir d'1 tour).

Bloquer le contre-écrou (4a) avec une clé plate de 13 mm.

Le réglage doit s'effectuer hors pression, il est à affiner lors des essais sous pression.

**RACCORDEMENT ELECTRIQUE**  
Avant toute intervention, couper l'alimentation électrique pour mettre hors tension les composants.

Toutes les bornes à vis doivent être serrées au couple de serrage approprié avant la mise en service. Effectuer la connexion à la terre pour les versions > 48 V.

• Version à têtes magnétiques interface ASCO : Se référer à la notice d'installation complémentaire fournie avec chaque tête magnétique.

Tête magnétique étanche IP65 (fig. 3a, 3b et 13a, 13b) : Adapter la bobine sur le tube (orientable sur 360°) puis le connecteur débrochable ISO 4400/EN 175101-803A (câble Ø6-10 mm), orientable par 90° x 90° (3 broches : 2 + masse).

• Version à plan de pose CNOMO : Se référer à la notice d'installation complémentaire fournie avec chaque pilote.

• Recommandations générales  
Le raccordement électrique doit être réalisé par un personnel qualifié et selon les normes et règlements en vigueur.

Attention :  
- Selon la tension, les composants électriques doivent être mis à la terre conformément aux normes et règlements locaux.

La plupart des électrodistributeurs comportent des bobinages prévus pour mise sous tension permanente. Pour éviter toute brûlure, ne pas toucher la tête magnétique qui, en fonctionnement normal et en permanence sous tension, peut atteindre une température élevée. Si l'électrodistributeur est facilement accessible, l'installateur doit prévoir une protection de la tête magnétique.

• Avant toute opération d'entretien ou de remise en marche, couper l'alimentation du distributeur, dépressuriser et purger, pour prévenir tout risque d'accident corporel ou matériel.

Versions ATEX : Suivre impérativement lors de la phase de maintenance les recommandations de la directive 99/92/CE et normes associées.

**ENTRETIEN**  
L'entretien des distributeurs varie suivant leurs conditions d'utilisation. Si nécessaire procéder à un nettoyage périodique. Lors de l'intervention, les composants doivent être examinés pour détecter toute usure excessive. Un nettoyage est nécessaire lorsqu'on observe un ralentissement de la cadence alors que la pression de pilotage est correcte ou lorsqu'un bruit anormal ou une fuite est constaté.

• Nettoyage  
L'entretien des distributeurs varie suivant leurs conditions d'utilisation. Si nécessaire procéder à un nettoyage périodique. Lors de l'intervention, les composants doivent être examinés pour détecter toute usure excessive. Un nettoyage est nécessaire lorsqu'on observe un ralentissement de la cadence alors que la pression de pilotage est correcte ou lorsqu'un bruit anormal ou une fuite est constaté.

• Bruit de fonctionnement  
L'utilisateur ne pourra déterminer avec précision le niveau sonore émis qu'après avoir monté le composant sur l'installation. Le bruit de fonctionnement varie selon l'utilisation, le fluide et le type de matériel.

• Entretien préventif  
- Faire fonctionner le distributeur au moins une fois par mois pour vérifier son ouverture et sa fermeture.  
- En cas de problème lors du montage/entretien ou en cas de doute, nous contacter ou nos représentants officiels.

• Conseils en dépannage  
- Pression de sortie incorrecte : Vérifier la pression à l'entrée du distributeur, elle doit correspondre aux valeurs admises sur l'étiquette d'identification.  
Attention, respecter les valeurs minimales de pression de pilotage : 2 bar

Pour prévenir tout risque d'accident corporel ou matériel, vérifier que le distributeur fonctionne correctement avant de le remettre en service.

• Rechange  
La bobine est proposée en pièce de rechange. Si nécessaire, changer le distributeur complet.

<b>ASCO</b>	<b>INSTALLATIONS- UND WARTUNGSANWEISUNGEN</b>	<b>3/2 NC</b>	<b>DE</b>
	Magnetventil-Baureihe 551, Messinggehäuse oder Magnetventil-Baureihe 551/553, Edelstahlgehäuse, 1/4" oder 1/2"-Gewinde oder NAMUR-Aufflanschbild	<b>5/2 - 5/3</b>	

**BESCHREIBUNG DER ZERTIFIZIERUNG**  
 Von der Zertifizierung betroffene Ausführungen (Abb. 1 und 11): Baureihe 551, Gehäuse aus Messing, Baureihe 551-553, Gehäuse aus Edelstahl, monostabil (Federrückstellung) oder bistabil, 3/2-Version NC (normal geschlossen) oder 5/2, gegen Atmosphäre abdichtete Versionen. Versionen mit oder ohne Handhilfsbetätigung:

- mit 1/4"- (551) oder 1/2"- (553) Gewindeanschluss, - 551, max. Tiefe der Anschlüsse 11,5 mm. (Der Druckanschluss ist nicht am Entlüftungsanschluss 3 anzuschließen. Die "hermetisch abdichtete" Ausführung ist nicht für eine "verteilende" Funktion oder Verwendung in NO-Funktion ausgelegt. Funktionen in Sonderausführungen auf Anfrage.)
- mit Aufflanschbild gemäß NAMUR für die direkte Montage auf einfachwirkende (Funktion 3/2 NC) oder doppelwirkende (Funktion 5/2) Pneumatik-Antriebe. Ein einzelnes Kolbenventil kann durch Positionieren des unteren Teils an zwei Arten von Steuerung angepasst werden: (Abb. 13a, 13b, Nr. 1a und 1b)
- Serie 551: der mitgelieferten Schnittstellenplatte 3/2 NC - 5/2
- Serie 553: der mitgelieferten Schnittstellenplatte 3/2 NC oder 5/2. **551, max. Tiefe der 1/4"-Anschlüsse = 11,5 mm. (Der Druckanschluss ist nicht am Entlüftungsanschluss 3 anzuschließen. Die "hermetisch abdichtete" Ausführung ist nicht für die NO-Funktion ausgelegt. Funktionen in Sonderausführungen auf Anfrage.)**
- Die Verrohrung ist entsprechend der gewünschten Funktion und der Kennzeichnung der Anschlüsse auf dem Produkt und gemäß dieser Anleitung vorzunehmen.
- Es ist darauf zu achten, dass keine Fremdkörper in das Ventil gelangen, um ein Blockieren der Ventulfunktion zu vermeiden. Verwenden Sie Dichtungsband oder -mittel nur spärlich.
- Die Ventile sind nur mit sauberer und trockener Luft oder mit neutralem Gas zu betreiben. Empfohlene Mindest-Filterfeinheit: 50 Mikron. Der Taupunkt des verwendeten Mediums muss mindestens -10°C (18°F) unterhalb der für das Medium zulässigen Mindesttemperatur liegen. Bei der Verwendung geölter Luft ist die Beständigkeit der verwendeten Dichtungsmaterialien zu überprüfen. Die durch die ANSI/ISA-Norm 57.3 (1975) festgelegte Qualität von Instrumentenluft übersteigt die erforderliche Entlüftungsanschlüsse der Ventile sind mit den Schalldämpfern aus Edelstahl zu versehen (siehe Abb. Anforderungen und ist somit für diese Ventile zulässig).

Die Entlüftungsanschlüsse der Ventile sind mit den Schalldämpfern aus Edelstahl zu versehen. Die Schalldämpfer sind am Anschluss 3 (3/2 NC) oder an den Anschlüssen 3 + 5 (5/2) der Ventile anzuschließen. Bei einem Einsatz im Freien, bei einer längeren Lagerung und/oder bei einem Einsatz unter schwierigen Bedingungen (Staub, aggressive Medien oder andere Schutzpartikel) ist die Verwendung von Schalldämpfern zwingend erforderlich. Bei Verwendung einer anderen Art von Schutz als die mitgelieferten Schalldämpfer ist die Zuverlässigkeit der Ventile nicht mehr gewährleistet.

- Max. Betriebsdruck:
  - 2 bis 10,4 bar
  - 2 bis 8 bar (195/LISC)

#### ALLGEMEINE BESCHREIBUNG

Ausführungen nach ATEX 94/9/EG: Siehe „Besondere Bedingungen für den sicheren Einsatz“:

**Hermetisch gegen Atmosphäre abdichtete Ausführungen:** Die Innenteile des Wegeschiebers sind hermetisch gegen Atmosphäre abdichtend und somit vor dem Eindringen von aggressiven Medien geschützt. Die Entlüftungsanschlüsse können zum Schutz der Umgebung gefasst und abgeführt werden; dies wird insbesondere für Anlagen in empfindlichen Bereichen (z.B. in Labors oder der Pharma- und Nahrungsmittelindustrie) empfohlen. Bei einem Einsatz im Freien oder unter schwierigen Bedingungen (Staub, aggressive Medien oder andere Schutzpartikel) ist es notwendig, die Entlüftungsanschlüsse entweder zu fassen und abzuführen oder mit einem Schutz (z.B. Schalldämpfer) zu versehen, um die Innenteile des Wegeschiebers zu schützen.

#### BESONDERE BEDINGUNGEN FÜR DEN SICHEREN EINSATZ

ATEX 94/9/EC: Nach Masse muss das Ventil angeschlossen werden (Abb. F).

Lagerbedingungen: geschützt lagern; Temperatur: -40°C bis +70°C; relative Feuchtigkeit: 95 %  
 Wenn der Ventil vor Inbetriebnahme länger gelagert wird, sollte er in der Originalverpackung aufbewahrt werden. Die Schutzabdeckungen an den Anschlussöffnungen und Magnetköpfen sollen nicht entfernt werden.

Zimmertemperatur: -40°C bis +60°C (+80°C, 551, Edelstahl)  
 Die maximale Temperatur der Flüssigkeit hat die Umgebungstemperatur nicht übersteigt. Lagerbedingungen: geschützt lagern; Tem-

peratur: -40°C bis +70°C; relative Feuchtigkeit: 95 %  
 Nach einer Lagerung bei niedriger Temperatur müssen die Ventile vor der Druckbeaufschlagung nach und nach an die Betriebstemperatur angepasst werden.

Die Ventile sind für den Betrieb innerhalb der auf den Typenschildern angegebenen Daten ausgelegt. Änderungen an den Produkten dürfen nur nach vorheriger Zustimmung des Herstellers oder einem seiner ordnungsgemäß ermächtigten Vertreter vorgenommen werden. Die Ventile sind für den Betrieb mit neutralem Gas oder Luft, gefiltert, ausgelegt. Der max. zulässige Ventildruck von 8/10,4 bar darf nicht überschritten werden. Beachten Sie den Mindeststeuerdruck von 2 bar. Der Einbau und die Wartung des Ventils ist von Fachpersonal auszuführen.

• **Pneumatisch betätigte Ausführungen, IP65 als Standard, oder Ausführungen in Übereinstimmung mit der ATEX-Richtlinie 94/9/EG für den Einsatz in durch Gase, Dämpfe, Nebel und/oder Stäube verursachten explosionsfähigen Atmosphären.** (Die Zoneneinteilung für diese Version wird auf dem ATEX-Etikett, Nr. E2, angegeben.)  
 E2/Schutzart: II 2GD IIC X Ta 60°C T85°C (T6)

Die Einhaltung der grundlegenden Gesundheits- und Sicherheitsanforderungen wird durch die Übereinstimmung mit den Europäischen Normen EN 13463-1 gewährleistet.

• **Elektropneumatisch angesteuerte Ausführungen mit Magnetköpfen:**

- Dichte Ausführung nach IP65 oder  
 - nach der ATEX-Richtlinie 94/9/EG für explosionsfähige Atmosphären zugelassene Ausführung

• **Ausführungen mit Magnetköpfen mit ASCO-Anschlussbild, IP65 als Standard, oder für den Einsatz in explosionsfähigen Atmosphären gemäß II 3D IP65 oder gemäß ATEX/IECEx Ex d, m, em, Ia zugelassen.**

• **Ausführungen mit Pilotventilen mit Aufflanschbild gemäß CNOMO E06.05.30 (Größe 30), IP65 als Standard, oder Montage von Pilotventilen für den Einsatz in explosionsfähigen Atmosphären gemäß ATEX Ex d oder Ex ia zugelassen.**

**Wichtiger Hinweis (CNOMO-Pilotventile): Der Einsatz in den Zonen (ATEX 1999/92/EG) richtet sich in erster Linie nach den Angaben auf dem Etikett (Nr. E2) am Gehäuse des Wegeventils. E2/Schutzart: II 2GD IIC X Ta 60°C T85°C (T6)**

Beim Zusammenbau mit einem Pilotventil nach ATEX 94/9/EG sind die ungünstigste Kategorie und Temperatur sowie die ungünstigsten Betriebsdrücke anzunehmen. Die Einhaltung der grundlegenden Gesundheits- und Sicherheitsanforderungen wird durch die Übereinstimmung mit den Europäischen Normen EN 13463-1 gewährleistet.

Die in den Abb. 5/6/7/8/10 angegebene Montageposition für die Pilotventile sowie die Anziehdrehmomente sind zu beachten.

**Für die Magnetköpfe und Pilotventile nach ATEX 94/9/EG sind die in den jeweiligen, dem Produkt beigelegten Einbau- und Wartungsanweisungen beschriebenen Einsatzvorschriften zwingend zu befolgen.**

#### EINBAU

⚠ **Ausführungen nach ATEX 94/9/EG:** Alle Metallteile bzw. leitenden Teile sind miteinander zu verbinden und zu erden. Das Ventilgehäuse wird durch die Befestigungsschraube (Nr. F) gerendert.

Die Wegeschieber können ohne Beeinträchtigung der Funktion in jeder beliebigen Einbaulage montiert werden.

**Ausführung mit 1/4"/1/2"-Gewinde (Abb. 3aAbb. 3b):**  
 Montieren Sie den Wegeschieber mit zwei Schrauben (Nr. 1); diese sind nicht im Lieferumfang enthalten.

**Ausführung mit Aufflanschbild gemäß NAMUR (Abb. 13a, 13b):**  
 Vor der Montage auf dem Antrieb ist der Wegeschieber für die gewünschte Funktion einzurichten.

- Serie 551: Nehmen Sie die Schnittstellenplatte und drehen Sie sie um 180°, um sie in der empfohlenen 3/2 NC oder 5/2 Funktion zu positionieren (Punkt 1a oder 1b).

- Serie 553: Wählen Sie die Schnittstellenplatte entsprechend in der empfohlenen 3/2 NC oder 5/2 Funktion (Punkt 1a)

- Stellen Sie sicher, dass die Funktionsdichtung vorhanden und korrekt eingelegt ist (Nr. 7).

- Befestigen Sie die Platte unter dem Ventil anhand der beiden mitgelieferten Schrauben (Nr. 8). Beachten Sie dabei die Montage- richtung: Die Nummer für die Funktion muss auf der Rückstellseite (Montagesicherung) platziert sein.

- Montieren Sie die beiden O-Ringe (Nr. 9).

- Platzieren Sie, falls erforderlich, die Montagesicherung auf den Antriebe:

- Bei der 3/2-Platte befindet sich die Montagesicherung Ø bei A1.
- Bei der 5/2-Platte befindet sich die Montagesicherung Ø bei A2.

<b>ASCO</b>	<b>INSTALLATIONS- UND WARTUNGSANWEISUNGEN</b>	<b>3/2 NC</b>	<b>DE</b>
	Magnetventil-Baureihe 551, Messinggehäuse oder Magnetventil-Baureihe 551/553, Edelstahlgehäuse, 1/4" oder 1/2"-Gewinde oder NAMUR-Aufflanschbild	<b>5/2 - 5/3</b>	

**PNEUMATISCHER ANSCHLUSS (Abb. 3, 13a und 13b)**  
 Je nach Version 3/2 NC oder 5/2 können ein bzw. zwei Schalldämpfer aus Edelstahl montiert werden (siehe Abb. 2).

- **Anschluss der pneumatisch betätigten Ansteuerung:** G 1/8 oder NPT 1/8 bzw. G 1/4 oder NPT 1/4.
- **Anschluss der Vorsteuerentlüftungen:** Die Entlüftungen können gefasst werden.
- **Handhilfsbetätigung**  
 Je nach Ausführung werden die Produkte für den spannungslosen Betrieb mit oder ohne Handhilfsbetätigung geliefert. Die Handhilfsbetätigung ist auf den Abb. 7 mit dem Symbol (H) gekennzeichnet und mit der Nr. 10 auf den Abb. 3a, 3b, 13a, 13b. Die auf den Abb. 3a, 3b, 13a und 13b mit dem Symbol (H) gekennzeichnete impulsbetätigte oder rastende (Drück-Dreh) Handhilfsbetätigung ermöglicht den spannungslosen Betrieb.

⚠ **Um Personen- und Sachschäden zu vermeiden, muss vor der Inbetriebnahme die Handhilfsbetätigung in die Stellung "0" (entrastet) gesetzt werden.**

• **Anpassung auf externe Vorsteuerung** (Abb. 3a, 3b, 13a und 13b, Nr. 6)

• **Allgemeine Empfehlungen für den pneumatischen Anschluss**  
 Die Rohrleitungen sind ordnungsgemäß abzuzusetzen und anzuordnen, um eine mechanische Fehlbeanspruchung des Wegeschiebers zu vermeiden. Das Ventil darf nicht als Gegenhalter benutzt werden. Das Werkzeug ist so nahe wie möglich am Anschlusspunkt anzusetzen. Um Schäden zu vermeiden, dürfen die Rohrverbindungen nicht zu stark angezogen werden.

• **Ausführungen mit 1/4" oder 1/2"-Gewindeanschluss (Abb. 3a, 3b): Anschluss des Wegeschiebers:**  
 Die Verrohrung ist entsprechend den Hinweisen auf dem Etikett anzuschließen.

- **Funktion 3/2 NC:**  
 Druckbeaufschlagung über Anschluss 1 (1/4 oder 1/2). Verbraucher über Anschluss 2. Entlüftung über Anschluss 3 (1/4 oder 1/2).

- **Funktion 5/2:**  
 Druckbeaufschlagung über Anschluss 1. Verbraucher über Anschlüsse 2 und 4. Die Entlüftungen sind in den Anschlüssen 3 und 5 zusammengefasst.

• **Ausführungen mit Aufflanschbild gemäß NAMUR (Abb. 13a, 13b): Anschluss des Wegeschiebers:**  
 Die Verrohrung ist entsprechend den Hinweisen auf dem Etikett anzuschließen.

- **Funktion 3/2 NC:**  
 Druckbeaufschlagung über Anschluss 1 (1/4 oder 1/2). Verbraucher über Anschluss 2. Entlüftung über Anschluss 3 (Messinggehäuse: 1/8; Edelstahlgehäuse: 1/4 oder 1/2). Die Entlüftung der Rückstellfederkammer des einfachwirkenden Antriebs ist im anschließbaren Anschluss 3 des Wegeschiebers zusammengefasst. Es wird empfohlen, den (nicht verwendeten) Anschluss 5 mit einem Schutz zu versehen, ohne dabei den Anschluss zu verschließen.

- **Funktion 5/2:**  
 Druckbeaufschlagung über Anschluss 1 (1/4 oder 1/2). Verbraucher über Anschlüsse 2 und 4. Die Entlüftungen sind in den Anschlüssen 3 und 5 (Messinggehäuse: 1/8; Edelstahlgehäuse: 1/4 oder 1/2) zusammengefasst.

• **Anschluss der Abluftdrosseln (Gehäuse aus Messing)**  
 Die Wegeventile der Baureihe 551 sind je nach Auftrag mit oder ohne Mini-1/8"-Abluftdrosseln ausgestattet. Zusatz M (Abb. 13a).

Mit diesen Mini-Abluftdrosseln lässt sich die Geschwindigkeit des Antriebs regulieren. Sie können auch angeschlossen werden (1/8"-Gewinde), um die Entlüftungen zusammenzufassen.

Montage / Einstellung (Abb. 13a):  
 3/2-Ausführung NC = 1 Abluftdrossel an Anschluss 3

5/2-Ausführung = 2 Abluftdrosseln an den Anschlüssen 3 und 5

Drehen Sie die Schraube (4) in den Anschluss der Drossel bis zum Anschlag ein und drehen Sie sie anschließend wieder zurück, um den Entlüftungsdurchfluss zu erhöhen (jedoch nicht mehr als 2 Umdrehungen - max. Durchfluss bereits bei 1 Umdrehung).

Blockieren Sie die Mutter (4a) mit einem Gabelschlüssel SW 13. Führen Sie die Grobeinstellung vor der Druckbeaufschlagung und die Feineinstellung nach der Druckbeaufschlagung durch.

**ELEKTRISCHER ANSCHLUSS**  
**Vor Beginn jeglicher Arbeiten ist sicherzustellen, dass die Komponenten spannungslos geschaltet sind.**

Alle Schraubklemmen sind vor der Inbetriebnahme mit dem entsprechenden Drehmoment anzuziehen. Stellen Sie die Verbindung zur Erde für die Versionen > 48 V.

• **Ausführung mit Magnetköpfen mit ASCO-Anschlussbild:** Siehe die zusätzlichen, jedem Magnetkopf beigelegten Installationsanweisungen. Magnetkopf IP65 (Abb. 3a, 3b und 13a, 13b): Zuerst den Magnet auf das Rohr montieren (um 360° drehbar) und anschließend die Leitungsdose nach ISO 4400/EN 17501-803A (Kabel-Ø6-10 mm), um 90° umsetzbar (3 Pins: 2 + Erde).

• **Ausführung mit CNOMO-Anschlussbild** Siehe die zusätzlichen, jedem Pilotventil beigelegten Installationsanweisungen.

• **Allgemeine Empfehlungen**  
 Der elektrische Anschluss ist von Fachpersonal entsprechend den geltenden Normen und Richtlinien auszuführen.

ACHTUNG:  
 - Je nach Spannungsbereich müssen elektrische Komponenten einen Schutzleiteranschluss entsprechend den jeweils vor Ort geltenden Normen und Vorschriften erhalten.

Die meisten Ventile sind mit Magneten für Dauerbetrieb ausgerüstet. Zur Vermeidung von Personen- und Sachschäden sollte jede Berührung mit dem Magnet vermieden werden, da dieser bei längerem Betrieb heiß werden kann. Bei leicht zugänglichem Magnetventil sollte vom Installateur ein Schutz vorgesehen werden, um jegliches versehentliches Berühren zu vermeiden.

• **Allgemeine Empfehlungen**  
 Der elektrische Anschluss ist von Fachpersonal entsprechend den geltenden Normen und Richtlinien auszuführen.

⚠ **Um Personen- und Sachschäden zu vermeiden, muss vor der Wartung oder Inbetriebnahme die Versorgung des Ventils unterbrochen sowie das Ventil drucklos geschaltet und entlüftet werden.**

**Ausführungen nach ATEX: Bei der Wartung sind die Bestimmungen der Richtlinie 99/92/EG und zugehörige Normen zwingend einzuhalten.**

**WARTUNG**  
**Reinigung**  
 Die Wartung der Ventile hängt von den jeweiligen Einsatzbedingungen ab. Sie sollten in regelmäßigen Abständen gereinigt werden. Während des Reinigungsvorgangs sollten alle Teile auf Verschleiß untersucht werden. Eine Reinigung ist notwendig, wenn sich die Schaltfrequenz bei korrektem Vorsteuerdruck verlangsamt oder wenn ungewöhnliche Geräusche oder Undichtigkeiten festgestellt werden.

• **Geräuschemission**  
 Diese hängt sehr stark vom Anwendungsfall, den Betriebsdaten und dem Medium, mit denen das Produkt beaufschlagt wird, ab. Eine Aussage über die Geräuschemission des Produktes muss deshalb von demjenigen getroffen werden, der das Produkt innerhalb einer Maschine in Betrieb nimmt.

• **Vorbeugende Wartung**  
 - Setzen Sie das Ventil zur Überprüfung der Öffnungs- und Schließfunktion mindestens einmal im Monat in Betrieb.

- Treten Schwierigkeiten beim Einbau oder bei der Wartung auf sowie bei Unklarheiten ist mit uns oder unseren zugelassenen Vertretern Rücksprache zu halten.

• **Fehlerbeseitigung**  
 - Falscher Ausgangsdruck: Überprüfen Sie den Druck am Eingang des Ventils; er muss mit den zulässigen Werten auf dem Typenschild übereinstimmen.

- Beachten Sie den Mindeststeuerdruck von 2 bar.  
 Um Personen- und Sachschäden zu vermeiden, prüfen Sie vor der Wiederinbetriebnahme die richtige Funktionsweise des Ventils.

• **Ersatzteile**  
 Die Magnetspule ist als Ersatzteil erhältlich. Tauschen Sie, falls erforderlich, das gesamte Ventil aus.

<b>ASCO™</b>	Instrucciones de puesta en marcha y mantenimiento Distribuidores SERIE 551, cuerpo de latón, o SERIE 551-553, cuerpo de acero inoxidable, roscado 1/4, 1/2 o con plano de acoplamiento NAMUR	3/2 NC	<b>ES</b>
		5/2 - 5/3	

**DESCRIPCIÓN DE LA CERTIFICACIÓN**  
Versiones afectadas por esta puesta en marcha (fig 1 y 11):  
Serie 551, cuerpo de latón, o Serie 551,553, cuerpo de  
acero inox., monoestable (retorno resorte) o biestable,  
versión 3/2 NC (normalmente cerrada) o 5/2, versiones  
estancas con respecto a la atmósfera. Versiones sin o  
con mando manual:

- con conexión roscada 1/4 (551) o 1/2 (553) - 551, profundidad máxima de los orificios de racordaje 11,5 mm (No conectar la alimentación de presión al orificio 3 de escape. La construcción "estanca a la atmósfera" no está adaptada para la función "distribuidora" o utilización en función NA. Funciones disponibles en versión específica, consultar).
- con plano de acoplamiento según recomendación NAMUR para adaptación directa en actuador neumático de simple efecto (función 3/2 NC) o doble efecto (función 5/2). Se puede adaptar una única correa a los dos tipos de control colocando la parte inferior: (fig. 13a, 13b, ref. 1a y 1b)
- serie 551: de la placa interface provista 3/2 NC - 5/2.
- serie 553: de la placa interface provista 3/2 NC o 5/2.

**551, 1/4, profundidad máxima de los orificios de racordaje 1/4 = 11,5 mm (No conectar la alimentación de presión al orificio 3 de escape. La construcción "estanca a la atmósfera" no está adaptada para la función NA. Funciones disponibles en versión específica, consultar).**

- Conectar las tuberías según las funciones deseadas teniendo en cuenta las referencias de los orificios marcados en el producto y en esta documentación.
- Verifique que ningún cuerpo extraño penetre en el circuito con el fin de evitar todo bloqueo de la válvula. Limitar la utilización de goma o pasta de estanqueidad.
- Estos distribuidores y electrodistribuidores deben ser utilizados solamente con aire, limpio y seco, o un gas neutro. Filtración mínima recomendada 30 micras. El punto de rocío del fluido utilizado debe ser como mínimo -10°C (18°F) por debajo de la temperatura mínima a la cual el fluido puede ser sometido. En caso de utilización de aire lubricado, el lubricante debe ser compatible con los elastómeros utilizados. La calidad "aire instrumento" definida por la norma ANSI/ISA S7.3 (1975) es superior a las exigencias requeridas y constituye de hecho, un "medio" aceptable para estas válvulas.

**⚠ Proteger los orificios de escape de los distribuidores y de los pilotos mediante protectores de escape de acero inox. Para el distribuidor, conectar estos protectores al orificio 3 (3/2 NC) o a los orificios 3 - 5 (5/2). En ambiente exterior, almacenaje prolongado, y/o en presencia de polvo, líquidos y agentes presentes en el ambiente, es obligatoria la presencia de protectores de escape. La fiabilidad de la válvula no estará garantizada en caso de utilización de un medio de protección de los escapes diferente a los recomendados.**

- Rango de presión máxima de funcionamiento :
  - 2 a 10,4 bar
  - 2 a 8 bar (195/LISC)

#### DESCRIPCIÓN GENERAL

Versiones ATEX 94/9/CE : Ver "condiciones especiales para una utilización segura".

**Versiones estancas con respecto a la atmósfera :** Los componentes internos del distribuidor están aislados de la atmósfera exterior, protegiéndolo así de todo entorno agresivo. Todos los orificios de escape son canalizables, por lo que aseguran mayor protección del entorno, particularmente recomendada para las instalaciones en zonas sensibles como salas blancas, industrias farmacéuticas o agro-alimentarias. Es necesario canalizar o equipar los escapes para proteger los componentes internos del distribuidor en el caso de utilización en el exterior o en entorno difícil (polvos, líquidos u otros agentes).

**CONDICIONES ESPECIALES PARA UNA UTILIZACIÓN SEGURA**  
ATEX 94/9/CE: El distribuidor debe tener toma a tierra (ref. F).  
Condiciones de almacenamiento : al abrigo de intemperies; temperatura: -40 C a +70°C ; humedad relativa: 95 %  
En caso de almacenamiento prolongado antes de la puesta en marcha, el distribuidor debe permanecer en su embalaje

de origen. Los elementos de protección de los orificios de racordaje y de las cabezas magnéticas deben permanecer en su lugar.

Temperatura ambiente: -40°C a +60°C (+80°C, 551, acero inoxidable).

La temperatura máxima del fluido no debe exceder la temperatura ambiente.

Después de su almacenamiento a baja temperatura, los distribuidores deben ser puestos progresivamente a la temperatura ambiente de funcionamiento antes de la primera puesta bajo presión.

Los distribuidores están diseñados para los campos de funcionamiento indicados en la placa de características. No puede realizarse ninguna modificación en el material sin el acuerdo previo del fabricante o de su representante. *Estos electrodistribuidores están previstos para funcionar con aire o gases neutros filtrados.* No sobrepasar la presión máxima admisible = 8/10,4 bar. La puesta en marcha y el mantenimiento de estos productos deben ser realizados por personal competente.

- Versiones con mando neumático standard IP65 o previstos para ambientes explosivos bajo forma de gas, vapores, nieblas y polvos según la directiva ATEX 94/9/CE. (La clasificación por zona de esta versión está definida por la etiqueta ATEX, ref. E2). E2/Modo de protección: **II 2GD IIC X Ta 60°C T85°C (T6)**

El respeto de las exigencias esenciales en lo relativo a seguridad y salud está asegurado por la conformidad a las normas europeas EN 13463-1.

- Versiones con mando electro-neumático equipadas de cabezas magnéticas :
  - estacas IP65 o
  - certificadas para ambientes explosivos según Directiva ATEX 94/9/CE

- Versiones con cabezas magnéticas según plano de acoplamiento ASCO, standard IP65 o para ambientes explosivos, II 3D IP65 o ATEX/IECEx Ex d, m, em, ia.

- Versiones con pilotos, según plano de acoplamiento CNOMO E06.05.80 (talla 30), standard IP 65 o montaje de pilotos para ambientes explosivos ATEX, Ex d o Ex ia. **Atención (pilotos CNOMO) :** La colocación en zonas (ATEX 1999/92/CE), está definida prioritariamente por el marcaje indicado en la etiqueta (ref. E2) situada en el cuerpo del distribuidor.

E2/Modo de protección: **II 2GD IIC X Ta 60°C T85°C (T6)**  
Tener en cuenta la categoría, rango de presión máxima de funcionamiento y temperatura la menos favorable durante el montaje con un piloto ATEX 94/9/CE. El respeto de las exigencias esenciales en lo relativo a seguridad y salud está asegurado por la conformidad a las normas europeas EN 13463-1.

Respetar el sentido de montaje de los pilotos indicado por las figuras 5/6/7/8/10 y los pares de apriete indicados.

**Para las cabezas magnéticas y pilotos ATEX 94/9/CE, seguir imperativamente las prescripciones de utilización descritas en cada hoja de puesta en marcha específica suministrada con el producto.**

#### MONTAJE

**⚠ Versiones ATEX 94/9/CE :** Compruebe que todas las partes metálicas o conductoras estén siempre interconectadas y unidas a tierra. La unión a tierra del cuerpo de distribuidor se realiza mediante el montaje del tornillo de fijación (ref. F). Los distribuidores pueden ser montados en cualquier posición.

**Versiones roscadas (fig. 3a, fig 3b) :**  
Montar el distribuidor con la ayuda de dos tornillos (ref.1), no provistos.

**Versiones con plano de acoplamiento NAMUR (fig.13a, 13b) :**  
Antes del montaje del distribuidor en el actuador, adapte el aparato a la función deseada. (ref.1a o 1b)

- Serie 551 : Tome la placa interface y gírela 180° para colocarla en la función recomendada 3/2 NC o 5/2.
- Serie 553 : Selección de la placa interface correspondiente a la función recomendada 3/2 NC o 5/2.

- Compruebe la presencia y correcta colocación de la junta de forma (ref.7).

- Monte la placa bajo el distribuidor con la ayuda de los 2 tornillos (ref. 8) provistos, respetando el sentido de montaje; la referencia de función debe estar colocada en el lado de retorno (guía).

- Monte las dos juntas tóricas (ref.9).

<b>ASCO™</b>	Instrucciones de puesta en marcha y mantenimiento Distribuidores SERIE 551, cuerpo de latón, o SERIE 551-553, cuerpo de acero inoxidable, roscado 1/4, 1/2 o con plano de acoplamiento NAMUR	3/2 NC	<b>ES</b>
		5/2 - 5/3	

- Coloque, si fuera necesario, la guía en el actuador :
  - En la placa 3/2, el orificio guía Ø 5 está situado en A1.
  - En la placa 5/2, el orificio guía Ø 5 está situado en A2.

**RACORDAJE NEUMÁTICO (fig. 3a, 3b, 13a y 13b)**  
Según la versión 3/2 NC o 5/2, se pueden adaptar uno o dos protectores de escape de acero inoxidable, ver fig. 2.

- **Racordaje del pilotaje versión neumática :**  
G 1/8 o NPT 1/8 o G 1/4 o NPT 1/4.

- **Posibilidad de canalizar los escapes según las versiones.**

- **Mando manual**  
Según las versiones los productos se suministran sin o con un mando manual, para funcionamiento sin tensión. Se indica mediante el símbolo (H), en las fig. 7, y para la ref. 10 en las fig. 3a, 3b, 13a, 14b.

- El mando manual de impulsión o de posición mantenida (tipo pulsar/girar), indicado por el símbolo (H) en las fig. 3a, 3b, 13a y 13b, permite el funcionamiento sin tensión.

**⚠ Antes de cualquier operación de puesta en marcha, compruebe el retorno a la posición "0" (no-enclavado) del mando manual, para prevenir todo riesgo de accidente corporal o material.**

- **Adaptación en alimentación externa del pilotaje (fig.3a, 3b, 13a y 13b, ref.6)**

- **Recomendaciones generales para racordaje neumático**  
Sostenga y alinee correctamente las tuberías para evitar cualquier tensión mecánica en el distribuidor. Al apretar, no utilice el aparato como palanca; Posicione las llaves de apriete lo más cerca posible del punto de racordaje. Con el fin de evitar deterioros, NO APRIETE DEMASIADO los racores de las tuberías.

- **Versiones roscadas 1/4 - 1/2 (fig 3a, fig 3b) :**  
**Racordaje del distribuidor :**  
Racordar las tuberías en función de las referencias indicadas en la etiqueta.

- **Función 3/2 NC :**  
Entrada de presión por el orificio 1 (1/4 o 1/2). Utilización por el orificio 2. Escape por el orificio 3 (1/4 o 1/2).

- **Función 5/2 :**  
Entrada de presión por el orificio 1. Utilización por los orificios 2 y 4.

- Los escapes están canalizados hacia los orificios 3 y 5.

- **Versiones con plano de acoplamiento NAMUR (fig 13a, 13b) :**  
**Racordaje del distribuidor :**  
Racordar las tuberías en función de las referencias indicadas en la etiqueta.

- **Función 3/2 NC :**  
Entrada de presión por el orificio 1 (1/4 o 1/2). Utilización por el orificio 2. Escape por el orificio 3 (cuerpo de latón : 1/8; cuerpo de acero inox. : 1/4 o 1/2).

- El escape de los alojamientos de los resortes de retorno del actuador de simple efecto se canaliza a través del distribuidor hacia el orificio 3 racordable. Se recomienda proteger el orificio 5 (no utilizado) **evitando obturarlo.**

- **Función 5/2 :**  
Entrada de presión por el orificio 1 (1/4 o 1/2). Utilización por los orificios 2 y 4.

- Los escapes del actuador están canalizados a través del distribuidor hacia los orificios 3 y 5 (cuerpo de latón : 1/8; cuerpo de acero inox. : 1/4 o 1/2).

- **Racordaje de los reductores de escape (cuerpo de latón)**  
Según la demanda, los distribuidores serie 551 se suministran sin o con reductores de escape miniatura 1/8, sufljo M (fig. 13a).

- Estos mini-reductores de escape regulables permiten adaptar la velocidad de maniobra del actuador. También se pueden racordar (rosca 1/8) para canalizar los escapes. Montaje / Regulación (fig. 3a) :

- Versión 3/2 NC = 1 reductor para adaptar en el orificio 3

- Versión 5/2 = 2 reductores para adaptar en los orificios 3 y 5

- Apriete en el orificio el tornillo (4) del reductor hasta que haga tope, después desatornille para aumentar el caudal de escape **sin sobrepasar las 2 vueltas** (caudal máximo obtenido a partir de 1 vuelta).

- Bloquee la contra-tuerca (4a) con una llave plana de 13 mm. La regulación debe realizarse sin presión, hay que afinarla durante las pruebas con presión.

#### CONEXIÓN ELÉCTRICA

**Antes de cualquier intervención, corte la alimentación eléctrica para quitar la tensión de los componentes.**

Todas las bornas de tornillo deben estar apretadas al par de apriete adecuado antes de la puesta en marcha.

Haga la conexión a la tierra para las versiones > 48 V.

- **Versión con cabezas magnéticas interface ASCO :**  
Remítirse a la hoja de instalación complementaria provista con cada cabeza magnética.

- Cabeza magnética estanca IP65 (fig. 3a, 3b, 13a y 13b) : Adaptar la bobina en el tubo (orientable en 360°) después del conector desenchufable ISO 4400/EN 175101-803A (cable Ø6-10 mm), orientable en 90° x 90° (3 pines : 2 + masa).

- **Versión con plano de acoplamiento CNOMO :** Remítirse a la hoja de instalación complementaria provista con cada piloto.

- **Recomendaciones generales**  
La conexión eléctrica debe ser realizada por personal cualificado y según las normas y reglamentos en vigor.

Atención :

- Según la tensión, los componentes eléctricos deben tener toma a tierra conforme a las normas y reglamentos locales. La mayoría de los electrodistribuidores están provistos de bobinados previstos para la puesta bajo tensión permanente. Para evitar quemaduras, no toque la cabeza magnética que, en funcionamiento normal y en permanencia bajo tensión, puede alcanzar una temperatura elevada. Si el electrodistribuidor es de fácil acceso, el instalador debe prever una protección de la cabeza magnética.

**MANTENIMIENTO**

**⚠ Antes de cualquier operación de mantenimiento o de puesta en marcha, corte la alimentación del distribuidor, despresurice y purgue, para prevenir riesgos de accidente corporal o material.**

**Versiones ATEX : Siga imperativamente durante la fase de mantenimiento las recomendaciones de la Directiva 99/92/CE y normas asociadas**

- **Limpieza**  
El mantenimiento de los distribuidores varía con sus condiciones de utilización. Si fuese necesario, realizar una limpieza periódica. Durante la intervención, los componentes deben ser examinados para detectar cualquier desgaste excesivo. Cuando se observa un ralentamiento de la frecuencia aunque la presión de pilotaje sea correcta o cuando se percibe un ruido anormal o una fuga, es necesaria una limpieza.

- **Ruido de funcionamiento**  
El usuario solamente podrá determinar con precisión el nivel sonoro emitido después de haber montado el componente en la instalación. El ruido de funcionamiento varía según la utilización, el fluido y el tipo de material.

- **Mantenimiento preventivo**  
- Hacer funcionar el distribuidor al menos una vez al mes para verificar su apertura y su cierre.

- En caso de problemas durante el montaje/mantenimiento o en caso de duda, contactar con ASCO Numatics o sus representantes oficiales.

- **Consejos de reparación**  
- Presión de salida incorrecta : Comprobar la presión en la entrada del distribuidor, esta debe corresponder a los valores admitidos en la etiqueta de identificación. **Atención, respetar los valores mínimos de presión de pilotaje : 2 bar**

- Para prevenir cualquier riesgo de accidente personal o material, comprobar que el distribuidor funciona correctamente antes de la puesta en marcha.

- **Recambio**  
La bobina existe como pieza de recambio. Si fuese necesario, cambiar el distribuidor completo.

<b>ASCO</b>	Istruzioni di installazione e manutenzione Distributori SERIE 551, corpo ottone, o SERIE 551-553, corpo acciaio inox, filettati 1/4 o 1/2, o a piano di posa NAMUR	3/2 NC	IT
		5/2 - 5/3	

#### DESCRIZIONE DELLA CERTIFICAZIONE

Versioni interessate dalla presente certificazione (fig 1 e 11): Serie 551, corpo ottone, o Serie 551, 553, corpo acciaio inox, monostabile (ritorno a molla) o bistabile, versione 3/2 NC (normalmente chiusa) o 5/2, versioni stagne all'atmosfera. Versioni senza comando manuale o con comando manuale:

- con raccordo filettato 1/4 (551) o 1/2 (553) - 551, profondità massima della porta 11,5 mm. (Non connettere l'ingresso della pressione alla porta di scarico 3. La costruzione "a protezione dell'ambiente" non è adatta da una funzione di "distribuzione" o a un impiego senza NESSUNA funzione. Mettersi in contatto con noi per le funzioni disponibili in versioni specifiche).

- con piano di posa secondo raccomandazioni NAMUR per montaggio diretto su attuatore pneumatico a semplice effetto (funzione 3/2 NC) o doppio effetto (funzione 5/2). Una singola valvola a spola può essere adattata a due tipi di controllo, mediante il posizionamento della parte inferiore: (fig. 13a, 13b, rif. 1a e 1b)

- serie 551: della piastra d'interfaccia fornita 3/2 NC - 5/2.

- serie 553: della piastra d'interfaccia fornita 3/2 NC o 5/2.

**551, profondità massima della porta 11,5 mm (Non connettere l'ingresso della pressione alla porta di scarico 3. La costruzione "a protezione dell'ambiente" non è adatta a un impiego senza NESSUNA funzione. Mettersi in contatto con noi per le funzioni disponibili in versioni specifiche).**

- Raccordare le tubazioni secondo le funzioni desiderate, tenendo conto dei riferimenti delle vie marcati sul prodotto e nella presente documentazione.

- Controllare che nessun corpo estraneo penetri all'interno del circuito, onde evitare il blocco della valvola. Limitare l'utilizzo di nastro o pasta per tenute.

- I distributori ed elettrodistributori devono essere utilizzati solo con aria pulita e secca, o con gas neutro. Si raccomanda un filtraggio minimo di 50 micron. Il punto di rugiada dei fluidi deve essere di almeno -10°C (18°F) al di sotto della temperatura minima a cui i fluidi possono essere esposti. Se viene usata aria lubrificata, il lubrificante deve essere compatibile con gli elastomeri usati. La qualità "aria strumentale" definita dalla norma ANSI/ISA S7.3 (1975) supera i requisiti ed è pertanto un supporto accettabile per queste valvole.

Tutte le connessioni di scarico delle valvole e dei piloti devono essere protette con silenziatori in acciaio inox. Collegare i silenziatori alla connessione (3/2 NC) o connessioni 3-5 (5/2). Per utilizzo esterno, o in giacenza a magazzino per lunghi periodi, e/o esposte in ambienti difficili (polveri, liquidi, ecc.), devono essere utilizzati i silenziatori. L'affidabilità della valvola non viene garantita nel caso di utilizzo di un silenziatore differente da quello prescritto.

- Campo di pressione max di funzionamento:

- da 2 a 10,4 bar

- da 2 a 8 bar (195/LISC)

#### DESCRIZIONE GENERALE

Versioni ATEX 94/9/CE: Vedere "condizioni speciali per un utilizzo sicuro".

Versioni stagne all'atmosfera: I componenti interni del distributore sono isolati dall'atmosfera esterna, quindi protetti dagli ambienti aggressivi. Tutte le vie di scarico se canalizzate, assicurano una migliore protezione dagli ambienti aggressivi, particolarmente raccomandata per installazioni in zone sensibili come sale bianche, industrie farmaceutiche o agroalimentari. E' necessario canalizzare o predisporre gli scarichi per proteggere i componenti interni del distributore in caso di utilizzo all'esterno o in ambiente difficile (polveri, liquidi o altri agenti).

#### CONDIZIONI SPECIALI PER UN UTILIZZO SICURO

ATEX 94/9/CE: Il distributore deve avere la messa a terra (rif. F). Condizioni di stoccaggio: al riparo dalle intemperie; temperatura: da -40°C a +70°C; umidità relativa: 95%. In caso di stoccaggio prolungato prima della messa in servizio, il distributore deve restare nel suo imballaggio d'origine. Gli elementi di protezione delle vie di raccordo e delle teste magnetiche devono rimanere al loro posto. Temperatura ambiente: -40°C a +60°C (+80°C, 551, acciaio inox). La temperatura max del fluido non deve superare la temperatura ambiente.

Dopo uno stoccaggio a bassa temperatura, i distributori devono essere riportati progressivamente alla temperatura ambiente di funzionamento prima di essere messi in pressione per la prima volta.

I distributori sono progettati per i campi di funzionamento indicati sulla etichetta di segnalazione. Nessuna modifica può essere apportata sui materiali senza il previo accordo del fabbricante o dei suoi rappresentanti. *Questi elettrodistributori sono previsti per funzionare con aria o gas neutri filtrati.* Non superare la pressione max ammessa = 8/10,4 bar. La messa in servizio e la manutenzione di questi prodotti devono essere effettuati da personale competente.

• Versioni a comando pneumatico standard IP65 o previste per atmosfere pericolose come gas, vapori, nebbie e polveri secondo la direttiva ATEX 94/9/CE. (La classificazione delle zone di questa versione è definita nell'etichetta ATEX, rif. E2). E2/Modo di protezione: II 2GD IIC X Ta 60°C T85°C (T6)

Il rispetto dei requisiti essenziali in materia di sicurezza e salute è assicurata dalla conformità alle norme europee EN 13463-1.

• Versioni a comando elettropneumatico, dotate di teste magnetiche:

- protezione IP65 oppure

- omologate per atmosfere pericolose secondo Direttiva ATEX 94/9/CE

• Versioni con teste magnetiche secondo piano di posa ASCO standard IP65 oppure per atmosfere pericolose, II 3D IP65 oppure ATEX/IEC Ex d, m, em, ia.

• Versioni con piloti, secondo piano di posa CNOMO E06.05.80 (taglia 30), standard IP65 oppure montaggio di piloti per atmosfere pericolose ATEX Ex d o Ex ia.

Attenzione (piloti CNOMO): l'installazione in zone (ATEX 1999/92/CE), è determinato in via prioritaria dalla marcatura indicata sull'etichetta (rif. E2) situata sul corpo del distributore.

E2/Modo di protezione: II 2GD IIC X Ta 60°C T85°C (T6) Considerare la categoria, pressione massimo di funzionamento e la temperatura meno favorevoli quando si monta un gruppo con pilota ATEX 94/9/CE. Il rispetto dei requisiti essenziali in materia di sicurezza e salute è assicurato dalla conformità alle norme europee EN 13463-1. Rispettare il senso di montaggio dei piloti indicato nelle figure da 5/6/7/8/10 e le coppie di serraggio indicate.

Per le teste magnetiche ed i piloti ATEX 94/9/CE, seguire tassativamente le istruzioni per l'uso riportate nelle rispettive avvertenze specifiche per la messa in servizio fornite con il prodotto

#### MONTAGGIO

⚠ Versioni ATEX 94/9/CE: Accertarsi che tutte le parti metalliche o conduttrici siano sempre interconnesse e messe a terra. La messa a terra del corpo del distributore si esegue montando la vite di fissaggio (rif. F).

I distributori possono essere montati in qualsiasi posizione.

Versioni filettate (fig. 3a, fig 3b): Montare il distributore servendosi di due viti (rif. 1), non comprese nella fornitura.

Versioni con piano di posa NAMUR (fig. 13a, 13b): Prima di montare il distributore sull'attuatore, occorre regolarlo per la funzione richiesta. (elemento 1a o 1b)

- Serie 551: Prendere la piastra d'interfaccia e ruotarla a 180° per posizionarla alla funzione consigliata 3/2 NC o 5/2 (5/3).

- Serie 553: Selezionare la piastra d'interfaccia corrispondente alla funzione consigliata 3/2 NC o 5/2 (5/3).

- Accertarsi della presenza della guarnizione e della sua corretta collocazione (rif. 7).

- Assemblare piastra e distributore con le 2 viti (rif. 8) fornite, rispettando il senso di montaggio: il riferimento della funzione deve essere posizionato lato ritorno (spina di riferimento).

- Montare le due guarnizioni OR (rif. 9).

- Posizionare, se necessario, la spina di riferimento sull'attuatore:

• Sulla piastra 3/2, la spina di riferimento Ø 5 è situata in A1.

• Sulla piastra 5/2, la spina di riferimento Ø 5 è situata in A2.

#### RACCORDO PNEUMATICO (fig. 3a, 3b 13a, 13b)

A seconda della versione 3/2 NC o 5/2, vengono fornite una o due protezioni di scarico in acciaio inox (vedere fig. 2).

<b>ASCO</b>	Istruzioni di installazione e manutenzione Distributori SERIE 551, corpo ottone, o SERIE 551-553, corpo acciaio inox, filettati 1/4 o 1/2, o a piano di posa NAMUR	3/2 NC	IT
		5/2 - 5/3	

• Raccordo di pilotaggio automatico: G 1/8 o NPT 1/8 o G 1/4 o NPT 1/4.

• Raccordo degli scarichi di pilotaggio

• Possibilità di raccogliere gli scarichi secondo la versione.

• Comando manuale

A seconda delle versioni i prodotti sono forniti con o senza comando manuale, per funzionamento senza tensione. Essa è segnalata dal simbolo (H) sulle fig. 7, e dal rif. 10 sulle fig. 3a, 3b, 13a, 13b.

Il comando manuale ad impulsi o posizione mantenuta (tipo spingere/girare), segnalata dal simbolo (H) sulle fig. 3a, 3b, 13a e 13b, permette il funzionamento senza tensione.

⚠ Prima di qualsiasi operazione di rimessa in funzione, convalidare il ritorno sulla posizione "0" (non-inserita) del comando manuale, per evitare qualsiasi rischio di incidente a cose o persone.

• Montaggio con alimentazione esterna di pilotaggio (fig. 3a, 3b, 13a e 13b, rif. 6)

• Raccomandazioni generali per il raccordo pneumatico Supportare ed alimentare correttamente le tubazioni per evitare qualsiasi sollecitazione meccanica sul distributore. Serrando, non servirsi dell'apparecchio come se fosse una leva; posizionare le chiavi di serraggio il più vicino possibile al punto di raccordo. Per evitare qualsiasi guasto, NON SERRARE TROPPO i raccordi delle tubazioni.

• Versioni filettate 1/4 -1/2 (fig 3a, fig 3b)

Collegare le tubazioni secondo i riferimenti indicati sull'etichetta.

- Funzione 3/2 NC:

Ingresso della pressione attraverso la via 1 (1/4 o 1/2).

Utilizzo attraverso la via 2. Scarico attraverso la via 3 (1/4 o 1/2).

- Funzione 5/2:

Ingresso della pressione attraverso la via 1. Utilizzo attraverso le vie 2 e 4.

Gli scarichi sono incanalati verso le vie 3 e 5.

• Versioni con piano di posa NAMUR (fig 13a, 13b):

Raccordo del distributore:

Collegare le tubazioni secondo i riferimenti indicati sull'etichetta.

- Funzione 3/2 NC:

Ingresso della pressione attraverso la via 1 (1/4 o 1/2).

Utilizzo attraverso la via 2. Scarico attraverso la via 3 (corpo in ottone: 1/8; corpo in acciaio inox: 1/4 o 1/2).

Lo scarico delle camere delle molle di ritorno dell'attuatore a semplice effetto è canalizzato attraverso il distributore verso la connessione 3 raccordabile. Si raccomanda di proteggere la via 5 (non utilizzata) evitando di tapparla.

- Funzione 5/2:

Ingresso della pressione attraverso la via 1 (1/4 o 1/2).

Utilizzo attraverso le vie 2 e 4.

Gli scarichi dell'attuatore sono incanalati verso le vie 3 e 5 (corpo in ottone: 1/8; corpo in acciaio inox: 1/4 o 1/2).

- Raccordo dei regolatori di scarico (corpo ottone)

A seconda della richiesta, i distributori serie 551 sono forniti con o senza regolatori di scarico miniaturizzati 1/8, suffisso M (fig. 13a).

Tali mini-regolatori di scarico regolabili permettono di adattare la velocità di manovra dell'attuatore. Sono ugualmente raccordabili (filettatura 1/8) per collegare gli scarichi.

Montaggio / Regolazione (fig. 3a):

Versione 3/2 NC = 1 regolatore da montare sulla via 3

Versione 5/2 = 2 regolatore da montare sulle vie 3 e 5

Serrare la vite nella via (4) del regolatore fino ad arresto battuta, poi svitare per aumentare la portata dello scarico senza mai superare i 2 giri (la portata max si ottiene a partire da 1 giro).

Bloccare il contro-dado (4a) mediante chiave da 13 mm. La regolazione deve essere effettuata in assenza di pressione, l'ottimizzazione effettuando delle prove dopo la pressurizzazione.

#### CONNESSIONE ELETTRICA

Prima di qualsiasi intervento, escludere l'alimentazione elettrica per mettere i componenti fuori tensione.

E' necessario che tutti i morsetti a vite siano stretti secondo i valori appropriati di coppia, prima di eseguire l'avvio. Effettuare il collegamento a terra per le versioni > 48 V.

• Versione con testa magnetica interfaccia ASCO: fare riferimento alle istruzioni d'installazione complementari fornite con ciascuna testa magnetica.

Testa magnetica con protezione IP65 (fig. 3a, 3b, 13a e 13b): Montare la bobina sul tubo (orientabile a 360°) poi il connettore disinnestabile ISO 4400/EN 175101-803A (cavo Ø6-10 mm), orientabile a 90° (3 morsetti: 2 + massa).

• Versione a piano di posa CNOMO: fare riferimento alle istruzioni d'installazione complementari fornite con ciascun pilota.

• Raccomandazioni generali

Il collegamento elettrico deve essere realizzato da personale qualificato e secondo le norme ed i regolamenti in vigore. Attenzione:

- A seconda della tensione, i componenti elettrici devono essere messi a terra in conformità alle norme ed i regolamenti locali.

La maggior parte dei distributori hanno bobine previste per messa in tensione permanente. Per evitare bruciature, non toccare la testa magnetica che, in funzionamento normale e permanentemente sotto tensione, può raggiungere una temperatura elevata. Se l'elettrovalvola è facilmente accessibile, l'installatore deve prevedere una protezione della testa magnetica.

#### MANUTENZIONE

⚠ Prima di qualsiasi operazione di manutenzione o di rimessa in funzione, togliere l'alimentazione al distributore, depressurizzare e spurgare, per evitare qualsiasi rischio di incidente a cose o persone.

Versioni ATEX: in fase di manutenzione seguire tassativamente le raccomandazioni della direttiva 99/92/CE e norme associate.

• Pulizia

La manutenzione dei distributori varia secondo le loro condizioni di impiego. Se necessario, procedere ad una pulizia periodica. Quando si segue un intervento, si devono esaminare i componenti per individuare i punti troppo usurati. E' necessaria una pulizia quando si osserva un rallentamento della cadenza, pur essendo corretta la pressione di pilotaggio o quando si sente un rumore anormale o si constata una fuga.

• Rumore di funzionamento

L'utente potrà determinare con precisione il livello sonoro ammesso solo dopo avere montato il componente sull'installazione. Il rumore di funzionamento varia secondo l'uso, il fluido ed il tipo di materiale.

• Manutenzione preventiva

- Fare funzionare il distributore almeno una volta al mese per verificarne l'apertura e la chiusura.

- In caso di problema al montaggio o alla manutenzione o in caso di dubbio, contattare ASCO Numatics o i suoi rappresentanti ufficiali.

• Consigli per la riparazione

Pressione di uscita anomala: verificare la pressione all'entrata del distributore; deve corrispondere ai valori ammessi sull'etichetta dati.

Attenzione. Rispettare i valori minimi di pressione di pilotaggio: 2 bar.

Per evitare qualsiasi rischio d'incidente a cose o persone, verificare che il distributore funzioni correttamente prima di rimetterlo in servizio.

• Ricambi

La bobina viene proposta come parte di ricambio. Se necessario, sostituire l'elettrodistributore o il distributore completo.

<b>ASCO</b>	<b>ALGEMENE INSTALLATIE- EN ONDERHOUDSINSTRUCTIES</b>	<b>3/2 NC</b>	<b>NL</b>
	Magneetafsluiters uit de 551-serie met messing huis, of uit de 551-553-serie met roestvaststalen huis, en voorzien van 1/4"- of 1/2"-schroefdraad of een NAMUR-aansluiting	<b>5/2 - 5/3</b>	

**OMSCHRIJVING VAN DE GOEDKEURING**  
Versies waar de goedkeuring betrekking op heeft (afb. 1 en 11): Dit zijn monostabiele (met terugstelveer) of bistabiele magneetafsluiters met een afsluiterhuis van messing (551-serie) of van roestvast staal (series 551, 553), met 3/2 NC- (normaal gesloten) of 5/2-werking in een van de buitenlucht geïsoleerde uitvoering. Versies met en zonder handmatige bediening;

- met 1/4" (551) of 1/2" (553) Schroefdraadaansluitingen - 551, met 1/4" getapte aansluiting max. poortdiepte 11,5 mm. (Sluit de druktoevoer niet aan op ontluuchtingspoort 3. De "hermetisch afgedichte" constructie is niet geschikt als "verdeel-functie" of voor gebruik in NO functie. Speciale uitvoeringen op aanvraag).

- met NAMUR-aansluiting voor directe montage op enkelwerkende (3/2 NC) of dubbelwerkende (5/2) pneumatische actuatoren. Een enkele schuifverdelers kan op twee soorten bediening worden ingesteld door het onderste deel te positioneren: (fig. 13a, 13b, zie 1a en 1b)

- serie 551 : van geleverde interface-plateet 3/2 NC - 5/2.  
- serie 553 : van geleverde interface-plateet 3/2 NC of 5/2.  
551, Met 1/4" max. poortdiepte 11,5 mm. (Sluit de druktoevoer niet aan op ontluuchtingspoort 3. De "hermetisch afgedichte" constructie is niet geschikt voor gebruik in NO functie. Speciale uitvoeringen op aanvraag).

- Neem bij het aansluiten van de benodigde leidingen voor de gewenste functie de aanwijzingen in dit document en de poortmarkeringen op het product in acht.

- Zorg dat er geen vuil in de leidingen kan komen, om schade aan de afsluiter te voorkomen. Beperk het gebruik van afdichttappet en afdichtingsmateriaal tot een minimum.

- Deze afsluiters zijn bedoeld voor gebruik met schone en droge lucht of inert gas. Aanbevolen filtratieniveau: 50 micron. Het dauwpunt van het gebruikte medium dient minstens 10°C onder de minimumtemperatuur te liggen waaraan het medium ooit zal worden blootgesteld. Indien gesteremde lucht wordt gebruikt, dient het smeermiddel geschikt te zijn voor de gebruikte elastomeren. Instrumentaliteit conform ANSI/ISA norm S7.3 (1975) voldoet ruimschoots aan deze vereisten en is daardoor een geschikt medium voor deze afsluiters.

- Alle uitlaatpoorten van de afsluiters en stuurkleppen moeten worden beschermd met roestvaststalen uitlaatbeschermers. Sluit de uitlaatbeschermers aan op poort 3 (3/2 NC) of poorten 3 - 5 (5/2). Bij gebruik buiten of opslag voor langere tijd en/of bij blootstelling aan veeleisende omgevingen (stof, vloeistoffen, enz.) moeten uitlaatbeschermers worden gebruikt. De betrouwbaarheid van de afsluiter kan niet worden gegarandeerd indien een uitlaatbescherming anders dan de geleverde bescherming wordt gebruikt.

- Maximale werkdruk:  
- 2 tot 10,4 bar  
- 2 tot 8 bar (195/LISC)

**BESCHRIJVING**  
**ATEX 94/9/EG-versies:** Zie "Speciale voorwaarden voor veilig gebruik".  
**Versies die geïsoleerd zijn van de buitenlucht:** De inwendige delen van de afsluiter zijn geïsoleerd van de buitenlucht, voor bescherming in schadelijke omgevingen. Op alle uitlaatopeningen van deze schuifafsluiter kunnen leidingen worden aangesloten, zodat ze optimaal kunnen worden afgeschermd van hun omgeving en van het milieu. Daardoor zijn ze met name geschikt voor installaties in gevoelige omgevingen zoals in stofrijke ruimten, in de farmaceutische industrie en in de voedingsmiddelenindustrie. Bij gebruik in de buitenlucht en bij gebruik in veeleisende omgevingen (stof, dampen, enz.) moet u leidingen of appendages op de uitlaatpoorten aansluiten om de inwendige delen van de schuifafsluiter te beschermen.

**SPECIALE VOORWAARDEN VOOR VEILIG GEBRUIK**  
ATEX 94/9/EG-versies: De afsluiter moet worden geaard (zie F). Opslag: beschermen tegen weersinvloeden, opslagtemperatuur: -40°C tot +70°C; relatieve vochtigheid: 95%. Bewaar het schuifventiel in zijn originele verpakking zolang u hem niet gebruikt. Laat de bescherming op de aansluitpoorten en over de magneetkoppelen zitten. Omgevingstemperatuur: -40°C tot +60°C (+80°C, 551, roestvast staal). De maximale temperatuur van het medium mag de omgevingstemperatuur niet overschrijden.

Na opslag bij een lage temperatuur dienen de verdelers geleidelijk aan op gebruikstemperatuur te worden gebracht voordat deze onder druk worden gezet.

De elektrische schuifventielen zijn ontworpen voor toepassingen zoals vermeld op het naamplaatje. Zonder voorafgaande toestemming van de fabrikant of zijn vertegenwoordiger, mag geen enkele wijziging aan het product worden aangebracht. Deze elektrische verdelers werken op gefilterde lucht of neutrale gassen. De maximaal toelaatbare druk van de verdelers (= 8/10,4 bar) mag niet worden overschreden. De installatie en het onderhoud van de verdelers moeten alleen worden uitgevoerd door gespecialiseerd personeel.

• Standaard pneumatisch bediende versies IP67 of versies voor gebruik in een explosiegevaarlijke omgeving die wordt veroorzaakt door gassen, dampen, mist of stof volgens de ATEX Richtlijn 94/9/EG. (De zoneclassificatie voor deze versie staat op het ATEX-etiket, ref. E2).

E2/Beschermingsgraad: II 2GD IIC X Ta 60°C T85°C (T6) Conformiteit met de Fundamentele gezondheidsvoorschriften en veiligheidsnormen is gegarandeerd door de conformiteit met de Europese normen EN 13463-1.

• Elektropneumatisch bediende versies met magneetkoppelen: - IP 65 afdichting of - gecertificeerd voor gebruik in explosiegevaarlijke omgeving volgens ATEX Richtlijn 94/9/EG.

• Versies met magneetkoppelen met ASCO-montageplaat, standaard IP65 of voor gebruik in een explosiegevaarlijke omgeving II 3D IP65 of ATEX/IECEx Ex d, m, em, ia.

• Versies met stuurautomaten met EXOMO E06.05.80 (grootte 30) montageplaat, standaard IP65 of montageplaten van stuurautomaten voor gebruik in explosiegevaarlijke omgeving volgens ATEX Ex d of Ex ia.

Let op (CNOOMO-stuurautomaten): De plaatsing van de verdelers in zones (ATEX 1999/92/EC) wordt in de eerste plaats gedefinieerd door de vermeldingen op het etiket (ref. E2) op de behuizing van iedere verdelers.

E2/Beschermingsgraad: II 2GD IIC X Ta 60°C T85°C (T6)

Neem bij het monteren van dit product op een stuklepel volgens ATEX 94/9/EG de minst gunstige categorie, maximale werkdruk en temperatuur in acht. Conformiteit met de Fundamentele gezondheidsvoorschriften en veiligheidsnormen is gegarandeerd door de conformiteit met de Europese normen EN 13463-1.

De montagegerichting voor de stuurautomaten zoals aangeduid in figuur 5/6/7/8/10 en de vermelde aanhaalkoppels dienen in acht te worden genomen. Voor magneetkoppelen en stuurautomaten volgens ATEX 94/9/EG dienen de gebruiksinstructies die gegeven worden in de specifieke installatie-instructies die met het product worden geleverd strikt te worden opgevolgd.

**MONTAGE**  
**ATEX 94/9/EG-versies:** Zorg dat alle metalen en geleidende onderdelen altijd op elkaar zijn aangesloten en geaard zijn. Het afsluiterhuis is via de bevestigingsschroef (zie F) geaard.

De afsluiters mogen in alle standen worden gemonteerd. Versies met Schroefdraadaansluitingen (fig. 3a, fig. 3b):

Monteer de afsluiter met behulp van twee bouten (zie 1) (niet bij levering inbegrepen).

Versies met NAMUR-aansluiting (fig. 13a, 13b): Kies de gewenste werking voordat u het schuifventiel monteert op de actuator. (zie 1a of 1b)

- Serie 551 : Neem de interface-plateet en draai hem 180° om hem in de aanbevolen 3/2 NC of 5/2 functie te zetten.

- Serie 553 : Selecteer de interface-plateet in overeenstemming met de aanbevolen 3/2 NC of 5/2 functie.

- Zorg voor correcte plaatsing van de afdichting (zie 7)

- Monteer de functieplaat met behulp van de 2 meegeleverde bouten (zie 8) onder de schuifafsluiter. De functie-indicatie moet zich aan de retourzijde (codering) bevinden.

- Plaats de 2 O-ringen (zie 9).

- Plaats, indien nodig, de positioneerstift op de kop:

• Op de 3/2 NC-functieplaat bevindt de centreeropening Ø 5 zich bij A1.

• Op de 5/2-functieplaat bevindt de centreeropening Ø 5 zich bij A2.

**PNEUMATISCHE AANSLUITING (fig. 3a, 3b, 13a en 13b)**

Afhankelijk van de versie (3/2 NC of 5/2), kunnen één of twee roestvaststalen uitlaatbeschermers worden gebruikt (zie fig. 2).

• Aansluiting van de pneumatisch gestuurde versie: G 1/8 of NPT 1/8 of G 1/4 of NPT 1/4.

<b>ASCO</b>	<b>ALGEMENE INSTALLATIE- EN ONDERHOUDSINSTRUCTIES</b>	<b>3/2 NC</b>	<b>NL</b>
	Magneetafsluiters uit de 551-serie met messing huis, of uit de 551-553-serie met roestvaststalen huis, en voorzien van 1/4"- of 1/2"-schroefdraad of een NAMUR-aansluiting	<b>5/2 - 5/3</b>	

• **Aansluiting van de stuuruitlaten**  
De uitlaattassen kunnen worden opgevangen, afhankelijk van de gebruikte afsluiterversie.

• **Handmatige bediening**  
Afhankelijk van de versie worden de producten geleverd met of zonder handmatige bediening om ook te werken zonder stroom. De handmatige bediening wordt aangegeven met het symbool (H), in fig. 7 en zie 10 in fig. 3a, 3b, 13a, 13b.

Het type handbediening, impulstype of van schakeltype (duw-/draaitype), wordt aangeduid door het symbool (H) in fig. 3a, 3b, 13a en 13b. Beide typen maken stroomloze bediening mogelijk.

• **Controleer vóór iedere inbedrijfstelling of de handmatige bediening is teruggezet op diens gedeactiveerde stand "0", teneinde elk risico op persoonlijk letsel en op beschadiging van de apparatuur te vermijden.**

• **Aanpassing aan externe stuurvoorziening**  
(fig. 3a, 3b, 13a en 13b, zie 6)

• **Algemene aanbevelingen voor pneumatische aansluitingen**  
De leidingen moeten correct worden ondersteund en uitgelijnd om elke mechanische belasting van de afsluiter te vermijden. Bij het vastschroeven mag u de afsluiter niet als hefboom gebruiken. Plaats gereedschappen zo dicht mogelijk bij de te maken verbinding. Gebruik een zodanig koppel voor leidingverbindingen dat het product NIET WORDT BESCHADIGD.

• **Versies met schroefdraadaansluitingen 1/4"- 1/2" (fig. 3a, fig. 3b):**  
Aansluiten van de schuifafsluiter:  
Sluit de leidingen aan zoals aangegeven op het typeplaatje.

- **Werking 3/2 NC:**  
Drukuitlaat via poort 1 (met 1/4"- of 1/2"-schroefdraad).  
Drukuitlaat via poort 2.  
Uitlaat via poort 3 (met 1/4"- of 1/2"-schroefdraad).

- **Werking 5/2:**  
Drukuitlaat via poort 1. Drukuitlaat via de poorten 2 en 4. De uitlaten van de afsluiter worden naar de poorten 3 en 5 geleid.

• **Versies met NAMUR-aansluiting (fig. 13a, 13b):**  
Aansluiting van de schuifafsluiter:  
Sluit de leidingen aan zoals aangegeven op het typeplaatje.

- **Werking 3/2 NC:**  
Drukuitlaat via poort 1 (met 1/4"- of 1/2"-schroefdraad).  
Drukuitlaat via poort 2.  
Uitlaat via poort 3 (messing huis: 1/8 ; roestvaststalen huis: 1/4" of 1/2" Schroefdraad).

De afsluiter leidt de uitlaat van de terugstelveerkamers bij enkelvoudige werking naar poort 3. We raden u aan om poort 5 (niet gebruikt) af te schermen, maar niet af te sluiten.

- **Werking 5/2:**  
Drukuitlaat via poort 1 (met 1/4"- of 1/2"-schroefdraad).  
Drukuitlaat via de poorten 2 en 4.  
De afsluiter leidt de uitlaten naar de poorten 3 en 5 (messing huis: 1/8; roestvaststalen huis: 1/4" of 1/2" Schroefdraad).

• **Aansluiting van uitlaatverloopstukken (messing huis):**  
Schuifafsluiters uit de serie 551 worden conform bestelling geleverd met of zonder 1/8" miniatuur-uitlaatverloopstukken, achtervoegsel M (fig. 13a).

Deze instelbare mini-uitlaatverloopstukken worden gebruikt om de bedrijfs snelheid van de actuator aan te passen. Ze kunnen ook worden aangesloten (1/8" Schroefdraad) om de uitlaattassen op te vangen.

Monteren / instellen (fig. 3a):  
Versie 3/2 NC = 1 uitlaatverloopstuk moet worden gemonteerd aan poort 3.

Versie 5/2 = 2 uitlaatverloopstukken dienen te worden gemonteerd aan poorten 3 en 5.

Duw de schroef (4) op het verloopstuk in het gat en schroef hem vast tot tegen de aanslag; draai hem vervolgens losser om de uitlaattassen te verhogen (noot meer dan twee slagen, max. doorstroom verkgren bij één slag).

Draai de borgmoer (4a) vast met een sleutel van 13 mm. Voer een ruwe afstelling uit voordat de druk wordt aangebracht en voer een fijnafstelling uit na het onder druk brengen.

**ELEKTRISCHE AANSLUITING**  
Voordat men aan het werk begint moeten alle spanningvoerende delen spanningsloos worden gemaakt.

Alle schroefaansluitingen moeten vóór inbedrijfstelling tot het geschikte draaimoment worden vastgedraaid.

Maak de verbinding met de aarde voor versies > 4V.

• **Versie met magneetkoppelen met ASCO-aansluiting:**  
Zie de aanvullende installatie-instructies die bij elke magneetkop worden meegeleverd.

IP65-magneetkop (fig. 3a, 3b en 13a, 13b): Monteer de eerst spoel op de buis (360° draaibaar) en daarna de losneembare ISO 4400/EN 175101-803A aansluiting (kabeldiam. 6-10 mm) draaibaar over 90° (3 pennen: 2 + aarde).

• **Versies met CNOOM-montageplaat:**  
Zie de aanvullende installatie-instructies die worden geleverd met elke stuurlepel.

• **Algemene aanbevelingen:**  
De elektrische aansluiting dient te gebeuren door een vakman en in overeenstemming met de geldende voorschriften en normen.

Let op:  
- Afhankelijk van de spanning moeten de elektrische componenten eventueel worden geaard volgens de lokaal geldende wet- en regelgeving.

De meeste afsluiters zijn uitgerust met spoelen voor continu gebruik. Om elk risico op lichamelijk letsel te vermijden, dient men aanraking van de magneetkop te voorkomen omdat die bij normaal gebruik heet kan worden. In voorkomende gevallen dient men de magneetkop af te schermen voor aanraking.

**ONDERHOUD**  
Voór de inbedrijfname en voordat u begint aan onderhoudswerk moet u de elektrische voeding uitschakelen en de afsluiter drukloos maken om elk risico op het ontstaan van persoonlijk letsel of materiele schade te vermijden.

**ATEX-versies: neem alle voorschriften conform de Europese richtlijn 99/92/EG en de hiervan afgeleide normen strikt in acht.**

• **Reiniging**  
Hoeveel onderhoud de afsluiters vereisen, hangt af van de gebruiksomstandigheden. Zorg voor regelmatig onderhoud. Controleer tijdens het onderhoud of onderdelen zijn versleten. Een reinigingsbeurt is nodig wanneer werkriviering vertraagt terwijl de stuurdruk correct is, of wanneer een abnormaal geluid of lek wordt waargenomen.

• **Geluidsniveau**  
De geluidsniveau hangt sterk af van de toepassing, en van het gebruikte medium en de apparatuur. De bepaling van het geluidsniveau kan pas uitgevoerd worden nadat de afsluiter is ingebouwd.

• **Preventief onderhoud**  
- Gebruik de afsluiter ten minste één keer per maand om de werking ervan te controleren.

- In geval van problemen of als er onduidelijkheden tijdens montage, gebruik of onderhoud optreden, neem dan contact met ons op of met één van onze vertegenwoordigers.

• **Storingen verhelpen**  
- Verkeerde uitlaattdruk: Controleer de druk aan de inlaatzijde van de afsluiter, deze moet overeenstemmen met de specificaties op het typeplaatje.

Let op: zorg voor een minimale stuurdruk van 2 bar. Controleer of de afsluiter correct werkt voordat u hem opnieuw in bedrijf stelt, om zo elk risico op lichamelijk letsel of materiele schade te vermijden.

• **Reserveonderdelen**  
De spoel is verkrijgbaar als reserveonderdeel. Vervang zo nodig de gehele afsluiter.

<b>ASCO</b> <sup>TM</sup>	<b>INSTALLASJONS- OG VEDLIKEHOLDSINSTRUKSER</b> Serie 551 magnetventiler, messinghus, eller serie 551-553, hus av rustfritt stål, 1/4", 1/2" gjenger eller NAMUR-grensesnitt	3/2 NC	<b>NO</b>
		5/2 - 5/3	

**BESKRIVELSE AV GODKJENNELSEN**  
**Versjoner som godkjennelsen gjelder (fig. 1 og 11):**  
**Kun hus av messing (serie 551) eller rustfritt stål (serie 551, 553), monostabil (fjærrett) eller bistabil, 3/2 NC (normalt lukket) funksjon eller 5/2, versjon isolert fra den utvendige atmosfæren. Versjoner uten manuell overstyring eller med manuell overstyring av pulstypen:**  
- med gjengede 1/4 (551) eller 1/2 (553) porter - 551, med 1/4" gjenget kobling, maks. portdybde 11,5 mm. (Ikke koble trykktilførselen til utblåsningsåpning 3. Den "miljøvennlige" konstruksjonen er ikke tilpasset en "distribusjons"-funksjon eller bruk i NO-funksjon. Ta kontakt med oss for funksjon tilgjengelig i spesifikke c-versjoner).  
- med NAMUR-grensesnitt for direkte montering på enkeltløps (funksjon 3/2 NC) eller dobbeltløps (funksjon 5/2) trykkluftregulatorer. En enkelt magnetventil kan tilpasses to typer styring ved å posisjonere den nedre delen: (fig. 13a, 13b, ref 1a og 1b)  
- serie 551: av den medfølgende grensesnittplaten, 3/2 NC - 5/2.  
- serie 553: av den medfølgende grensesnittplaten, 3/2 NC eller 5/2.  
**551, Max. 1/4", maks. portdybde 11,5 mm. (Ikke koble trykktilførselen til utblåsningsåpning 3. Den "miljøvennlige" konstruksjonen er ikke tilpasset NO-funksjon. Ta kontakt med oss for funksjon tilgjengelig i spesifikke c-versjoner).**  
- Kobling av rør for de påkrevde funksjonene må skje i samsvar med denne dokumentasjonen og portmerkene på produktet.  
- For å forhindre blokkering av ventilfunksjonen må du sørge for at det ikke kommer fremmedlegemer inn i kretsen. Bruk av tetningstape eller tetningsmiddel bør begrenses til et minimum.  
- Disse ventilene er beregnet for bruk i forbindelse med ren og tørr luft eller uavirksom (inert) gass. Anbefalt minimumsfiltrering: 50 mikron. Væskens duggpunkt må være minst -10°C (18°F) lavere enn minstemperatur som væsken kan bli eksponert for. Når det brukes oljeholdig luft, må smøremiddelet være kompatibelt med elastomerene (elastiske kunststoffer) som benyttes. Instrumentluft som er i samsvar med ANSI/ISA-standard S7.3 (1975) overskrider de nødvendige kravene og er derfor en akseptabel væske for disse ventilene.  
**▲** Alle utblåsningsporter på ventilene og pilotene må være beskyttet med utblåsningsvern av rustfritt stål. Disse utblåsningsvernene kobles til port 3 (3/2 NC) eller port 3 - 5/5/2). Når de brukes utendørs, eller oppbevares i lange perioder og/eller når de eksponeres for strenge miljøer (støv, væsker osv.) må det brukes utblåsningsvern. Påliteligheten til ventilene kan ikke garanteres hvis det brukes et annet utblåsningsvern enn det som følger med produktet.  
- Maksimalt arbeidstrykk:  
- 2 til 10,4 bar  
- 2 til 8 bar (195/LISC)

**BESKRIVELSE**  
**ATEX 94/9/EC-versjoner:** Se "Spesielle vilkår for sikker bruk".  
**Versjoner som er isolert fra atmosfæren:** De interne delene av ventilen er isolert fra atmosfæren utenfor for å gi vern i aggressive miljøer. Alle utblåsningsporter på spoleventilen kan utstyres med rør, noe som gir bedre miljøvern og anbefales spesielt i følsomme områder som renrom og til bruk i farmasøytisk og matforedlende industri. Det er nødvendig å koble rør eller armarut til utblåsningsportene for å beskytte interne deler i spoleventilen hvis den brukes utendørs eller under vanskelige forhold (støv, væsker osv.).

**SPESIELLE VILKÅR FOR SIKKER BRUK**  
ATEX 94/9/EC-versjoner: Ventilen må jordes (figur. F).  
Oppbevaringsforhold: beskyttet mot eksponering mot vær; oppbevarings temperatur: -40 C til +70°C; relativ luftfuktighet: 95 %  
Spoleventilen må oppbevares i sin opprinnelige innpakning så lenge den ikke brukes. Verneeddelene må ikke fjernes fra tilkoblingsportene og spoleoperatorene.  
Omgivelsestemperatur: -40°C til +60°C (+80°C, 551, rustfritt stål). Den maksimale væsketemperaturer må ikke være høyere enn romtemperatur.  
**Etter lagring i lav temperatur må spoleventilene gradvis**

bringes til driftstemperatur før de settes under trykk.  
Spoleventilene er beregnet for bruk innenfor de tekniske spesifikasjoner som er angitt på navneplaten. Endringer av produktene må kun gjøres etter rådgivning med produsenten eller hans representant. **Disse spoleventilene er beregnet til bruk i forbindelse med filtrert luft eller naturgass.** Overskrid ikke ventilens tillatte maksimaltrykk = 8/10,4 bar. Installasjon og vedlikehold av ventilen må kun utføres av kvalifisert personell.  
• Standard IP65-klassifiserte luftdrevne versjoner eller versjoner for bruk i eksplosive atmosfærer forårsaket av gass, damp, dis eller støv i henhold til ATEX-direktiv 94/9/EC. (Soneklassifiseringer for denne versjonen er angitt på ATEX-merket, se E2).

E2/Sikkerhetskode: II 2GD IIC X Ta 60°C T85°C (T6)  
Samsvar med viktige helse- og sikkerhetskrav er sikret gjennom tilpassing til de europeiske standardene EN 13463-1.  
• Spole-luft-drevne versjoner utstyrt med spoleoperatører:  
- IP65-forseglet eller  
- sertifisert for bruk i eksplosive atmosfærer i henhold til ATEX-direktiv 94/9/EC  
• Versjoner med spoleoperatører med ASCO monteringspute. IP65-klassifisert som standard, eller for bruk i eksplosive atmosfærer II 3D IP65 eller ATEX/IECEx Ex d, m, em, ia.  
• Versjoner med styreventiler med CNOMO E06.05.80 (storrelse 30) monteringspute, IP 65-klassifisert som standard, eller montering av styreventiler for bruk i eksplosive atmosfærer i h.t.t. ATEX Ex d eller Ex ia.  
**Advarsel (CNOMO-styreventiler): Plassering av ventile- ne i soner (ATEX 1999/92/7EC) er definert på første linje av indikasjonene på merket (se E2) på huset til hver ventil.**

E2/Sikkerhetskode: II 2GD IIC X Ta 60°C T85°C (T6)  
**Når dette produktet settes sammen med en styreventil i henhold til ATEX 94/9/EC, må du regne ut fra den minst fordelte kategori, maksimalt arbeidstrykk og temperaturer.** Samsvar med viktige helse- og sikkerhetskravene er sikret gjennom tilpassing til de europeiske standardene EN 13463-1.  
Monteringsstillingene for styreventiler som vist i figur 5/6/7/8/10 og de angitte tilstrammingsmomentene, må etterfølges.  
**Når det gjelder spoleoperatører og styreventiler i henhold til ATEX 94/9/EC, må man strengt holde seg til bruksanvisningen gitt i de spesifikke installasjonsinstruksjoner som kommer sammen med produktet.**

**MONTERING**  
**▲ ATEX 94/9/EC-versjoner:** Sørg for at alle metall- eller ledende deler alltid er innbyrdes tilsluttede og jordet. Ventilhuset er jordet med festeskruen (se F). Ventilene kan monteres i en hvilken som helst stilling.

**Versjoner med gjengede porter 1/4-1/2 (fig 3a, fig 3b):** Monter ventilen med to skruer (se 1) (følger ikke med).  
**Versjoner med NAMUR-grensesnitt (fig. 13a, 13b):**  
For spoleventilen settes på regulatoren, må den stilles inn på rett funksjon. (se 1a eller 1b)  
- Serie 551: Ta grensesnittplaten og dreii den 180° for å posisjonere den i den anbefalte 3/2 NC- eller 5/2-funksjonen.  
- Serie 553: Velg grensesnittplate tilsvarende den anbefalte 3/2 NC- eller 5/2 (5/3) funksjonen.  
- Påse at pakningen er riktig tilpasset (se 7).  
- Monter grensesnittet under spoleventilen med de to medfølgende skruene (se 8). Påse at indikeringen for funksjonen befinner seg på retursiden (polariseringsspolet).  
- Sett inn de to O-ringene (se 9).  
- Om nødvendig, sett styrepinnen på styringen:  
• På 3/2 NC-funksjonsplaten: Ø 5-hullet er ved A1.  
• På 5/2-funksjonsplaten: Ø 5-hullet er ved A2.

**TRYKKLUFTKOPLING (fig. 3a, 3b, 13a OG 13b)**  
Avhengig av versjonen (3/2 NC eller 5/2) kan ett eller begge utblåsningsvern av rustfritt stål brukes (se fig. 2).  
• **Tilkobling av versjon med luftstyring:**  
G 1/8 eller NPT 1/8 eller G 1/4 eller NPT 1/4.

<b>ASCO</b> <sup>TM</sup>	<b>INSTALLASJONS- OG VEDLIKEHOLDSINSTRUKSER</b> Serie 551 magnetventiler, messinghus, eller serie 551-553, hus av rustfritt stål, 1/4", 1/2" gjenger eller NAMUR-grensesnitt	3/2 NC	<b>NO</b>
		5/2 - 5/3	

• **Tilkobling av styreventilens utblåsnings**  
Utblåsingene kan samles inn i henhold til versjonen som brukes.  
• **Manuell overstyring**  
Avhengig av versjon, leveres produktene uten manuell overstyring eller med manuell overstyring av impuls-typen for drift uten strøm. Den manuelle overstyringen er angitt med symbolet (H) på fig. 7 og ref. 10 på fig. 3a, 3b, 13a, 13b.  
Operatør av pulstypen eller vedlikeholdt (trykk/drei-type) manuell overstyring angis med symbolet (H) på fig. 3a, 3b, 13a og 13b tillater bruk uten strøm.

**▲** For bruk må den manuelle overstyringen være satt i utkoblet stilling "0" for å forhindre risiko for personskade eller skade på utstyret.

• **Tilpassing til ekstern pilottilførsel**  
(fig. 3a, 3b, 13a et 13b, ref. 6)

• **Generelle anbefalinger for tilkobling av trykkluft**  
Koble rør for de påkrevde funksjonene i samsvar med denne dokumentasjonen og portmerkene på produktet.  
Sørg for at det ikke kommer fremmedlegemer inn i systemet.  
Rørene må støttes og justeres for å forhindre mekanisk belastning på ventilen. Når du strammer må du ikke bruke ventilen som bremsekast. Sett skrunøkler så nær tilkoblingspunktet som mulig. For å unngå skade på utstyret må rørbokningene IKKE TREKKES TIL FOR STRAMT.

• **Versjoner med gjengede porter 1/4 -1/2 (fig 3a, fig 3b):**  
**Tilkobling av spoleventil:**  
Koble rørene til som anviset på merket:

- **3/2 NC-funksjon:**  
Trykkinntak gjennom port 1 (1/4" eller 1/2" gjenger). Trykkutgang gjennom port 2.  
Utblåsing gjennom port 3 (1/4" eller 1/2" gjenger).

- **5/2-funksjon:**  
Trykkinntak gjennom port 1. Trykkutgang gjennom port 2 og 4. Utblåsing kanaliseres gjennom ventilen til port 3 og 5.

• **Versjon med NAMUR-grensesnitt (fig. 13a, 13b):**  
**Tilkobling av spoleventil:**  
Koble rørene som vist på merkelappen:

- **3/2 NC-funksjon:**  
Trykkinntak gjennom port 1 (1/4" eller 1/2" gjenger). Trykkutgang gjennom port 2. (messinghus: 1/8; hus av rustfritt stål: 1/4" eller 1/2" gjenger)  
Utslipp fra returstyrings fjærkamme i den enkeltvirkende versjonen, er kanalisert gjennom ventilen til 1/8" port 3. Det anbefales å beskytte port 5 (dersom den ikke er i bruk) - **tilstoppe den ikke.**

- **5/2-funksjon:**  
Trykkinntak gjennom port 1 (1/4" eller 1/2" gjenger). Trykkutgang ved port 2 og 4.  
Utslippene er kanalisert gjennom ventilen til portene 3 og 5 (messinghus: 1/8; hus av rustfritt stål: 1/4" eller 1/2" gjenger).

• **Tilkobling av utblåsningsreduksjonsmuffe (hus av messing)**  
Serie 551 spoleventiler leveres som bestilt med eller uten 1/8" utblåsningsreduksjonsmuffe, suffiks M (fig. 13a). Disse justerbare minitubblåsningsreduksjonsmuffene brukes til å justere regulatorens driftshastighet. De kan også kobles til (1/8 gjenger) for å samle utblåsingene.  
Montasje / Justering (fig. 3a)  
Versjon 3/2 NC = 1 utblåsningsreduksjonsmuffe settes på port 3  
Versjon 5/2 = 2 utblåsningsreduksjonsmuffe settes på port 3 og 5  
Sett skruen (4) på reduksjonsmuffen i hullet og skru den til den stopper. Skru den deretter ut for å øke utblåsningsflyten (aldri mer enn to omdreininger, maks. flyt oppnås ved én omdreining).  
Stram til låsemutteren (4a) med en 13 mm nøkkel.  
Foreta en grovjustering før den settes under trykk og juster etterpå.

**ELEKTRISK TILKOBLING**  
**Før eventuelle inngrøp må du slå av strømmen slik at komponentene slås av.**  
Alle batteriklemmer må strammes til i riktig dreiemoment før igangkjøring.

Gjør tilkoblingen til jorden for versjoner > 48 V.  
• **Versjon uten spoleholder med ASCO-grensesnitt:**  
Se ytterligere installasjonsinstruksjoner som følger med hvert spolehode.  
IP65-merket spoleoperatør (fig. 3a, 3b og 13a, 13b): Sett spolen på røret (kan roteres gjennom 360°) og deretter den fjernbare ISO 4400/EN 175101-803A-konnektoren (kabel dia 6-10 mm) som kan roteres 90° (3 pinner: 2 + jord).

• **Versjon med CNMO monteringspute:**  
Se ytterligere monteringsinstruksjoner som følger med hver styreventil.

• **Generelle anbefalinger:**  
Elektriske koblinger må gjøres av kvalifisert personell og i henhold til gjeldende lokale standarder og forskrifter.  
Forsiktig:  
- Avhengig av spenningen må elektriske komponenter være jordet i henhold til lokale standarder og forskrifter.  
De fleste ventiler er utstyrt med spoler beregnet på kontinuerlig drift. For å redusere risikoen for personskade må man ikke berøre spoleoperatøren, som kan bli varm under normale driftsforhold. Hvis ventilen er lett tilgjengelig, må installatøren sette opp vern som forhindrer tilfeldig kontakt med spoleoperatøren.

**VEDLIKEHOLD**  
**▲** For eventuelt vedlikeholdsarbeid eller før ventilen settes i drift, skal den slås av, trykket skal tas ut og ventilen ventileres for å redusere risikoen for skade på personer eller utstyr.  
**ATEX-versjoner:** Alle prosedyrer anbefalt av Alle prosedyrer som anbefales av direktiv 99/92/EC og tilknyttede standarder må følges nøye.

• **Rengjøring**  
Vedlikehold av ventilene avhenger av driftsforholdene. De må rengjøres regelmessig. Under service bør komponentene kontrolleres for graden av slitasje. Komponentene må rengjøres når man merker en nedgang i takten, selv om trykket i styreventilen er korrekt, eller hvis det oppdages uvanlig støy eller det oppstår lekkasje.

• **Støy**  
Støynivået avhenger av bruksområdet, mediet og typen utstyr som brukes. Nøyaktig fastsettelse av støynivået kan bare gjøres av brukeren som har ventilen installert i sitt system.

• **Forebyggende vedlikehold**  
- Bruk ventilen minst én gang i måneden for å kontrollere funksjonaliteten.  
- Hvis det oppstår problemer under vedlikehold eller hvis du er i tvil, vennligst ta kontakt med oss eller en av våre autoriserte representanter.

• **Feilsøking**  
- Feil utgangstrykk: Kontroller trykket på ventilens tilførsels-side. Det må tilsvare verdiene som fremgår av navneplaten.  
**Forsiktig: du må overholde minimumsverdien for styreventilen på 2 bar.** For å unngå skade på personer eller utstyr må du kontrollere at ventilen fungerer som den skal før du setter den tilbake i bruk.

• **Reserveledet**  
Spoler er tilgjengelige som reservedeler.  
Hvis nødvendig, skifter du ut hele ventilen.

<b>ASCO™</b>	<b>INSTALLATIONS- OCH UNDERHÅLLSINSTRUKTIONER</b> Serie 551 magnetventiler, mässingskropp, eller serie 551-553, rostfri stälkropp, 1/4", 1/2" gänga eller NAMUR-koppling	3/2 NC	<b>SE</b>
		5/2 - 5/3	

**BESKRIVNING AV GODKÄNNANDET**  
Utföranden som berörs av godkännandet (fig. 1 och 11):  
Ventilkropp av mässing (serie 551) eller rostfritt stål (serie 551, 553), monostabil (fjäderretur) eller bistabil, 3/2 NC-funktion (normalt stängd) eller 5/2, version isolerad från den omgivande atmosfären. Utföranden utan manuell företrädesstyrning eller med manuell företrädesstyrning av impulstyp:

- med gängade portar 1/4 (551) eller 1/2 (553) - 551, med 1/4" gjenteg kobling, maks. portdybde 11,5 mm. (Anslut inte tryckkopplingen till utgångsport 3. Den "miljöskyddande" konstruktionen är inte anpassad för en "distribuerande" funktion eller använd NO-funktionen. Kontakta oss för mer om vilka funktioner som är tillgängliga för specifika versioner).

- med NAMUR-koppling för direkt montering till enkelverkande (funktion 3/2 NC) eller dubbelverkande (funktion 5/2) pneumatiska ställdon. En rundslidsventil kan anpassas till två typer av styrning genom att positionera den nedre delen: (fig. 13a, 13b, ref. 1a och 1b)

- serie 551: medföljande gränssnittsplatta 3/2 NC - 5/2  
- serie 553: medföljande gränssnittsplatta 3/2 NC eller 5/2, 551, 1/4", maks. portdybde 11,5 mm. (Anslut inte tryckkopplingen till utgångsport 3. Den "miljöskyddande" konstruktionen är inte anpassad för NO-funktion. Kontakta oss för mer om vilka funktioner som är tillgängliga för specifika versioner).

- Anslut ledningarna för de önskade funktionerna enligt instruktionserna i den här dokumentationen och portmärkningen på produkten.

- Se till att inga främmande material som kan blockera ventilfunktionen kommer in i systemet. Försök att hålla användningen av tätningsejler eller andra tätningmaterial ett minimum.

- De här ventilierna är avsedda för användning med en ren och torr luft eller ädelgas. Rekommenderad minimum filtrering: 50 mikron. Daggodpunkten för vätskan som används måste vara minst -10°C (18°F) under den minimumtemperatur som vätskan får utsättas för. Vid användning av smord luft måste smörjmedlet vara förenligt med de elaster som används. Pneumatisk luft i överensstämmelse med ANSI/ISA standard 57.3 (1975) överskrider nödvändiga krav och är därför en godkänd vätska för dessa ventiler.

⚠ **Alla utgångsportar från ventiler och styrventiler måste skyddas med de rostfria utgångsskydden. Koppla utblåsskyddet på port 3 (3/2 NC) eller port 3 - 5 (5/2). Utblåsskydd skall användas vid tillämpningar utomhus eller vid förvaring under längre tid, och/eller när de utsätts för svåra omgivningar (damm, vätskor etc.). Ventilens tillförlitlighet kan inte garanteras när ett annat än det medlevererade utblåsskyddet används.**  
- Maximum arbetstryck:  
- 2 - 10,4 bar  
- 2 - 8 bar (195/LISC)

**BESKRIVNING**  
**ATEX 94/9/EC-versioner:** Se "Särskilda förhållanden för säker användning".  
**Versioner som är isolerade från atmosfären:** Ventilens invändiga delar är isolerade från atmosfären utanför och skyddas därför vid användning i aggressiva miljöer. Alla utgångsportar på rundslidsventilen kan förses med förförbindning, vilket ger bättre miljöskydd och rekommenderas särskilt i känsliga omgivningar såsom i "rena rum" och för tillämpning inom läkemedels- och livsmedelsindustrin. Vid användning utomhus eller i krävande miljöer (damm, vätskor o dyl) är nödvändigt att ansluta ledningar eller fixturer till utgångsportarna för att skydda rundslidsventilens invändiga delar.

**SÄRSKILDA FÖRHÅLLANDEN FÖR SÄKER ANVÄNDNING**  
ATEX 94/9/EC-versioner: Ventilen ska anslutas till jord (fig. F). Förvaringsförhållanden: skyddad från väder och vind, förvaringstemperatur: -40 C till +70°C; relativ fuktighet: 95 %  
Solenoidventilen ska förvaras i originalförpackningen när den inte används. Skyddspropparna får inte tas bort från anslutningsportar och solenoidoperatörer.

Omgivningstemperatur: -40°C till +60°C (+80°C, 551, rostfritt stål). Den max. temperaturen i vätskan inte överstiger omgivningstemperaturen.

Efter kall förvaring måste rundslidsventilen gradvis värmas upp till arbetstemperatur innan den sätts under tryck. Rundslidsventilerna är avsedda för att användas i enlighet med de tekniska egenskaper som står angivna på namnplattan. Modifikationer av produkterna är enbart tillåtet med medgivande från tillverkaren eller auktoriserad representant. **De här solenoidrundslidsventilerna är konstruerade för att användas med filtrerad luft eller neutral gas.** Överskrid aldrig ventilens maximalt tillåtna arbetstryck = 8/10,4 bar. Installation och underhåll av ventilen får enbart utföras av behörig personal.

• Standard IP65-märkta luftstyrda versioner eller versioner för användning i explosiva atmosfärer som uppstår genom gaser, ånga, dimma eller damm enligt ATEX-direktiv 94/9/EC. (Zonklassifikation för den här versionen finns på ATEX-etiketten, ref. E2).

E2/Säkerhetskod: II 2GD IIC X Ta 60°C T85°C (T6)

Uppfyller Grundläggande hälso- och skyddskrav genom överensstämmelse med Europeiska normer EN 13463-1.

• Luftstyrda solenoidversioner med solenoidoperatörer:  
- IP65-tätad eller  
- certifierad för användning i explosiva atmosfärer i enlighet med ATEX-direktiv 94/9/EC  
• **Versioner med solenoidoperatörer med ASCO monteringsplatta**, IP65-märkt som standard eller för användning i explosiva atmosfärer II 3D IP65 eller ATEX/IECEx Ex d, m, em, ia.  
• **Versioner med piloter med CNOMO E06.05.80 (storlek 30) monteringsplatta**, IP 65-märkt som standard eller monterad med piloter för användning i explosiva atmosfärer i enlighet med ATEX Ex d eller Ex ia.  
• **Varsamhet (CNOMO-piloter):** Hur en ventil placeras i en zon (ATEX 1999/92/EC) definieras i första hand med indikationen på etiketten (ref E2) på ventilernas stomme.

E2/Säkerhetskod: II 2GD IIC X Ta 60°C T85°C (T6)

**Ta hänsyn till den minst gynnsamma kategorin, maximum arbetstryck och temperaturen vid montering av den här produkten till en pilot till ATEX 94/9/EC.** Uppfyller Grundläggande hälso- och skyddskrav genom överensstämmelse med Europeiska normer EN 13463-1.

Montera piloterna i positionerna enligt figur 5/6/7/8/10 och tillämpa angivet vridmoment.  
**För solenoidoperatörer och piloter till ATEX 94/9/EC, ska användarinstruktionerna i motsvarande installationsinstruktioner som medföljer produkten, strikt följas.**

**MONTERING**  
⚠ **ATEX 94/9/EC-versioner:** Se till att alla metalldelar eller ledande delar alltid är sammankopplade och jordade. Ventilstommen är jordad via fästskruven (ref F). Ventilierna kan monteras i valfri position.

**Versioner med gängade portar 1/4-1/2 (fig 3a, fig 3b):**  
Montera ventilen med två skruvar (ref 1) (ingår ej).

**Versioner med NAMUR-koppling (fig. 13a, 13b):**  
Innan rundslidsventilen monteras på styrdonet ska den ha ställts in på önskad funktion. (rep. 1a eller 1b)  
- Serie 551: Ta tag i gränssnittsplattan och vrid den 180° medurs för att positionera den i den rekommenderade funktionen 3/2 NC eller 5/2.  
- Serie 553: Vrid den gränssnittsplatta som motsvarar den rekommenderade funktionen 3/2 NC eller 5/2.  
- Se till att packningen monteras korrekt (rep. 7).  
- Montera anslutningen under rundslidsventilen med de två medlevererade skruvarna (rep. 8). Se till att funktionsindikeringen placeras på retursidan (polariseringsöppning).  
- Placera de två O-ringarna (rep. 9).  
- Om nödvändigt, montera läspinnen på operatören:  
• På 3/2 NC funktionsplatta: Ø 5 dia. är hål A1.  
• På 5/2 funktionsplatta: Ø 5 dia. är hål A2.

**PNEUMATISK ANSLUTNING (fig. 3a, 3b, 13a och 13b):**  
Beroende på versionen (3/2 NC eller 5/2) kan en eller två utgångsskydden av rostfritt stål användas (se fig. 2).

<b>ASCO™</b>	<b>INSTALLATIONS- OCH UNDERHÅLLSINSTRUKTIONER</b> Serie 551 magnetventiler, mässingskropp, eller serie 551-553, rostfri stälkropp, 1/4", 1/2" gänga eller NAMUR-koppling	3/2 NC	<b>SE</b>
		5/2 - 5/3	

• **Ansluta pneumatisk pilotutförande:**  
G 1/8 eller NPT 1/8 eller G 1/4 eller NPT 1/4.  
• **Ansluta pilotutblås**  
Utblåsluften kan hanteras enligt den version som används.  
• **Manuell företrädesstyrning**  
Beroende på utförandet, levereras produkten utan manuell företrädesstyrning eller med manuell företrädesstyrning av impulstyp för själva operation: Det manuella nödreglaget anges med symbolen (H) i fig. 7, och ref. 10 i fig. 3a, 3b, 13a, 13b.  
Det manuella nödreglaget av impulstyp eller bibehållen typ (tryck/vrid), angivet med symbolen (H) i fig. 3a, 3b, 13a och 13b möjliggör körning utan kraft.

⚠ **Se till att den manuella företrädesstyrningen står i tillbakalaget "0" för att förebygga risk för person och materialskada.**

• **Anpassning till extern styrmatning** (fig. 3a, 3b, 13a och 13b, ref. 6)  
• **Allmänna rekommendationer för pneumatiska anslutningar**

Anslut ledningarna för den önskade funktionen enligt instruktionserna i den här dokumentationen och portmärkningen på produkten.  
Se till att inga främmande material kommer in i systemet. För att förebygga mekanisk belastning på ventilen är det viktigt att ledningarna har tillräckligt med stöd och är riktade korrekt. Använd inte själva ventilen för åtdragningen, placera momentnyckeln så nära anslutningspunkten som möjligt. Var rädd om verktygen, DRA INTE AT kopplingarna FOR HART.

• **Versioner med gängade portar 1/4 -1/2 (fig 3a, fig 3b):**  
**Ansluta rundslidsventilen:**  
Anslut ledningarna enligt etiketten:  
- **3/2 NC-funktion:**

- Tryckgång vid port 1 (1/4" eller 1/2" gänga). Tryckutgång vid port 2.  
- Utgång vid port 3 (1/4" eller 1/2" gänga).  
- **5/2-funktion:**  
Tryckgång vid port 1. Tryckutgång vid port 2 och 4. Utblåsningen kanaliseras via ventilierna till port 3 och 5.

• **Utförande med NAMUR-koppling (fig 13a, 13b):**  
**Ansluta rundslidsventilen:**  
Anslut ledningarna enligt etiketten:

- **3/2 NC-funktion:**  
Tryckgång vid port 1 (1/4" eller 1/2" gänga). Tryckutgång vid port 2.  
Utblås vid port 3 (mässingskropp: 1/8 ; rostfri stälkropp: 1/4" eller 1/2")  
Utblåset från returstyrda fjäderkammare i den enkelverkande versionen kanaliseras via ventil port 3. Vi rekommenderar att skydda port 5 (om oanvänd) - **plugga inte till det.**  
- **5/2-funktion:**  
Tryckgång vid port 1 (1/4" eller 1/2" gänga).  
Utblåsningen kanaliseras via ventilierna till port 3 och 5 (mässingskropp: 1/8 ; rostfri stälkropp: 1/4" eller 1/2" gänga).

• **Koppla utblåssreducerare (mässingskropp):**  
Serie 551 spolventiler levereras enligt order med eller utan miniatyr 1/8" utgångsreducerare, suffix M (fig. 13a). De justerande mini utblåssreducerarna används för att anpassa ställdonets arbetshastighet. De kan också kopplas (1/8 gänga) för att hantera utblåsluften.  
Montering / Justering (fig. 3a):  
Version 3/2 NC = 1 utblåssreducerare som kopplas till port 3  
Version 5/2 NC = 2 utblåssreducerare som kopplas till port 3 och 5  
Sätt i skruven (4) på reduceraren i hålet och skruva fast den helt; öppna sedan skruven för att öka utblåsfödet (**dock aldrig mer än två slag**, max. flöde erhålls vid ett varv). Spänn fast läsmuttern (4a) med en 13 mm nyckel.  
Grovinställning innan trycket slås på och finjustera när trycket är på.

**ELEKTRISK ANSLUTNING**  
Innan du vidtar någon åtgärd ska du slå från strömmen så att komponenterna inte är strömförande.  
Alla batteriklämror ska momenteras innan magnetventilen tas i drift.

Gör anslutningen till jord för versioner > 48 V.

• **Utförande med magnetlås med ASCO-koppling:**  
Läs installationsinstruktionerna som levereras med respektive magnetlås.  
IP65-klass meghetreglage (fig. 3a, 3b och 13a, 13b):  
Montera spolen på rötet (vridbar 360°) och sedan den löstagbara ISO 4400/EN 175101-803A kontakten (kabeldiam. 6-10 mm) vridbar 90° (3 stift: 2 + 1 jord).

• **Utförande med CNOMO plattmontage:**  
Läs installationsinstruktionerna som levereras med respektive pilotventil.

• **Allmänna rekommendationer:**  
Elektriska anslutningar ska utföras av behörig tekniker och i enlighet med lokala normer och regler.  
Varsamhet:  
- Beroende på strömstyrka ska elektriska komponenter jordas enligt lokala normer och regler.  
De flesta ventiler har spolar som konstruerats för kontinuerlig drift. För att förebygga personskador, vidrör inte solenoidoperatören som kan bli mycket varm under normala driftförhållanden. Om solenoidventilen är lätt att komma åt ska installatören förse med lämpligt skydd för att förekomma oavsiktlig kontakt.

⚠ **UNDERHÅLL**  
För att förebygga maskin- och personskada ska strömförsörjning och tryck ska vara bortkopplat och ventilen luftas innan underhåll eller driftsättning utförs. **ATEX-utlösare: Följ strikt alla procedurer rekommenderade i Direktivet 99/92/EC och tillhörande normer.**

• **Renigering**  
Underhåll av ventilierna är beroende på driftförhållanden. De ska rengöras med regelbundna intervaller. Vid service ska komponenterna kontrolleras på överdrivet slitage. Det är dags att rengöra komponenterna när arbetscyklerna går långsammare trots att pilottrycket är rätt eller när ovanliga ljud eller läckage uppstår.

• **Buller**  
Bullernivån är beroende på tillämpningen, medium och typen av utrustning som används. En korrekt mätning av bullernivån kan enbart utföras hos användaren där ventilen installerats i ett system.

• **Förebyggande underhåll**  
- Driftsätt ventilen minst en gång i månaden för att kontrollera att den fungerar som den ska.  
- Om problem uppstår vid underhåll eller vid tvivel, var god kontakta oss eller ett av våra auktoriserade ombud.

• **Problemlösning**  
- Inkorrekt utgångstryck: Kontrollera trycket på ventilens matarsida som ska korrespondera med värdena på namnplattan.  
*Varsamhet: observera att minimalt pilottryck är 2 bar.*  
För att förebygga person- och maskinskada, kontrollera att ventilen fungerar korrekt innan den sätts i drift igen.

• **Reservdelar**  
Spolar kan beställas som reservdel.  
Om nödvändigt, byt ut hela ventilen.





<b>ASCO™</b>	INSTALLATIONS- OG VEDLIGEHOLDSANVISNINGER Solenoventiler serie 551, messinghus, eller serierne 551-553, hus af rustfrit stål, 1/4", 1/2" gevind eller NAMUR-grænseflade	3/2 NC	DK
		5/2 - 5/3	

**BESKRIVELSE AF GODKENDELSEN**  
Versioner der falder under godkendelsen (Afbild. 1 og 11): Messinghus (serie 551) eller hus af rustfrit stål (serierne 551, 553), monostabile fjederretur eller bistabile, 3/2 NC-funktion (normalt lukket) eller 5/2, version isoleret fra den omgivende atmosfære. Versioner uden manuel overstyring eller med impuls-type manuel overstyring; - med gevindskårne porte 1/4" (551) eller 1/2" (553) - 551, med 1/4" gevindtilslutning, maks. portdybde 11,5 mm. (Forbind ikke trykforsyningen til udløbsport 3. Den "miljøbeskyttede" konstruktion er ikke beregnet til en "distributionsfunktion" eller til brug i NO-funktion. Kontakt os med henblik på oplysning om, hvilke funktioner der er til rådighed på bestemte modeller).

- med NAMUR interface til direkte montering på enkeltvirkende (funktion 3/2 NL) eller dobbeltvirkende (funktion 5/2) pneumatisk drev. En enkelt spoleventil kan tilpasses to typer styring ved at montere den nederste del: (fig. 13a, 13b, ref. 1a og 1b)  
- serie 551: af den medfølgende interfaceplade 3/2 NC - 5/2  
- serie 553: den medfølgende interfaceplade 3/2 NC eller 5/2, 1/4", maks. portdybde 11,5 mm. (Forbind ikke trykforsyningen til udløbsport 3. Den "miljøbeskyttede" konstruktion er ikke beregnet til NO-funktion. Kontakt os med henblik på oplysning om, hvilke funktioner der er til rådighed på bestemte modeller).

- Forbind rørene til de krævede funktioner, som angivet i denne dokumentation og på port markeringerne på produktet.  
- For at forkomme at ventilens funktion bliver blokeret, skal det sikres, at der ikke kommer fremmedlegemer ind i kredsløbet. Begræns brugen af tætningsbånd eller tætningsmateriale til et minimum.  
- Disse ventiler er beregnet til brug med ren og tør luft eller inaktiv gas. Anbefalet minimumsfiltrering: 50 my. Dugpunktet af det medie der bliver brugt, skal ligge mindst -10°C (18°F) under den minimumstemperatur, som mediet kan blive udsat for. Når der bruges smurt luft, skal smøremidlet være foreneligt med de benyttede elastomerer. Instrumentluft i overensstemmelse med ANSI/ISA standard S7.3 (1975) overgår de nødvendige krav, og er derfor et acceptabelt medie til disse ventiler.

**Alle ventilers og styreventilers udstødningsspor skal være beskyttet med udstødningsskyttere af rustfrit stål. Sæt udstødningsskytterne på port 3 (3/2 NC) eller port 3 - 5 (5/2). Ved anvendelse udendørs eller ved længere tids opbevaring, og/eller ved anvendelse i aggressive miljøer (støv, væsker etc.), skal der anvendes udløbsbeskyttere. Ventilens driftssikkerhed kan ikke garanteres, hvis der anvendes andre udløbsbeskyttere end de medfølgende.**

- Maksimum arbejdsstryk:  
- 2 til 10,4 bar  
- 2 til 8 bar (195/LISC)

#### BESKRIVELSE

ATEX 94/9/EC versionerne: Se "Særlige krav for sikker brug".

Versioner isoleret fra atmosfæren: De indre dele af ventilen er isolerede fra den omgivende atmosfære, for at give beskyttelse i aggressive omgivelser. Alle udløbsåbninger kan tilsluttes til rørfedninger, hvilket giver en bedre miljømæssig beskyttelse, især anbefalet til sensitive områder som for eksempel rene rum, og installationer i den farmaceutiske industri og i levnedsmiddelindustrien. Hvis spoleventilen bliver brugt udendørs eller i ubeskyttede omgivelser (støv, væsker o.s.v.), er det nødvendigt at tilslutte rør eller beslag til udløbsåbningerne, for at beskytte spoleventilens indre dele.

#### SPECIELLE KRAV TIL SIKKER BRUG

ATEX 94/9/EC versionerne: Ventilen skal jordforbindes (afbild F). Opbevaringsforhold: Beskyttet mod vejret; opbevaringstemperatur: -40°C til +70°C; relativ fugtighedsgrad: 95%. Spoleventilen skal opbevares i sin originale indpakning, så længe den ikke er i brug. Den beskyttende afdækning må ikke fjernes fra forbindelsesportene og magnetstyringen. Omgivelsestemperatur: -40°C +60°C (+80°C, 551, rustfrit stål). Mediets maksimumstemperatur må ikke overstige omgivelsetemperaturen.

Efter opbevaring ved lav temperatur, skal spoleventilen gradvist varmes op til driftstemperatur, før der bliver sat tryk på.

Spoleventilen er beregnet til brug under de tekniske forhold, der er specificeret på fabriksskiltet. Forandringer på produktet må kun foretages efter samråd med producenten eller dennes repræsentanter. Disse magnetspoleventiler er konstrueret til brug med filtreret luft eller neutral gas. Overskrid ikke det maksimale tilladte tryk på ventilen = 8/10,4 bar. Installation og vedligehold af ventilen må kun udføres af kvalificeret personale.

• Standard IP65-mærket luftdrifts versioner eller versioner til brug i eksplosive atmosfærer forårsager af gasser, dampe, tåge eller støv i henhold til ATEX direktiv 94/9/EC. (Zoneklassifikationen for denne version er angivet på ATEX mærket, ref. E2).

E2/Sikkerhedskode: II 2 GD c Ta 60°C T85°C (T6). Overensstemmelse med de væsentlige ste helbreds- og sikkerhedskrav er sikret ved en overensstemmelse med de europæiske standarder EN 13463-1.

• Magnet-luftdrifts versioner med indbygget magnetstyreenhed:  
- IP65 forseget eller  
- godkendt til brug i eksplosionsfarlige omgivelser i henhold til ATEX direktiv 94/9/EC.

• Versioner med magnetstyring med ASCO montageplade, IP65-mærket som standard, eller til brug i eksplosive atmosfærer II 3D IP65 eller ATEX/IEC Ex d, m, em, ia.

• Versioner med piloter med CNOMO E06.05.80 (str. 30) montageplade, IP 65-mærket som standard, eller montering af piloter til brug i eksplosive atmosfærer i henhold til ATEX Ex d eller Ex ia.

• Advarsel (CNOMO piloter): Placeringen af ventilerne i zoner (ATEX 1999/92/EC) er i første række defineret med angivelserne på mærket (ref. E2) på kassen på hver af ventilerne.

E2/Sikkerhedskode: II 2 GD c Ta 60°C T85°C (T6). Ved monteringen af dette produkt på en styrelse til ATEX 94/9/EC, skal der holdes regnskab med den mindst gunstige, maksimum arbejdsstryk temperatorkategori.

Overensstemmelse med de væsentligste helbreds- og sikkerhedskrav er sikret ved overensstemmelse med de europæiske standarder EN 13463-1.

Styrelsens monteringsposition som den er vist i afbildningerne 5/6/7/8/10 og det angivne strammingsmoment skal overholdes.

For magnetsstyreenheder og piloter til ATEX 94/9/EC, skal de instruktioner om brugen, der er givet i den specifikke installationsanvisning der fulgte med produktet, strengt overholdes.

#### MONTERING

**ATEX 94/9/EC versionerne:** Sørg for at alt metal eller ledende dele altid er inbyrdes forbundet og forbundet til jordforbindelse. Ventilskassen er forbundet til jordforbindelse med befæstelsesskruen (ref. F).

Ventilerne kan monteres i alle positioner.  
Gevindskårne porte version 1/4-1/2 (fig. 3a, fig. 3b): monter ventilen med to skruer (ref. 1) (ikke leveret).

Versioner med NAMUR-grænseflade (fig. 13a, 13b): For spoleventilen bliver monteret på aktivatoren, skal den indstilles til den krævede funktion. (ref. 1a eller 1b)

- Serie 551: Tag interfacepladen og drej den 180° for at bringe den i den anbefalede 3/2 NC eller 5/2 funktion.

- Serie 553: Vælg den interfaceplade, der svarer til den anbefalede 3/2 NC eller 5/2 funktion.

- Sørg for at pakningen er monteret rigtigt.

- Monter interface, under spoleventilens med de 2 skruer der er leveret (ref.8). Sørg for at angivelserne af funktionen er placeret på returløbsiden (polarisations udsparring).

- Tilpas de to O-ringe (ref. 9).  
- Om nødvendigt, sæt styrepinden på operatoren:  
• På 3/2 NL pladen: er Ø 5 dia. hullet ved A1.  
• På 5/2 NL pladen: er Ø 5 dia. hullet ved A2.

**PNEUMATISK FORBINDELSE (fig. 3a, 3b, 13a og 13b)**  
Afhængigt af versionen (3/2 NL eller 5/2), skal der bruges en eller to rustfrit stål udløbsbeskyttere (se fig. 2).

• **Montering af pneumatisk pilot version:**  
G 1/8 eller NPT 1/8 eller G 1/4 eller NPT 1/4.

<b>ASCO™</b>	INSTALLATIONS- OG VEDLIGEHOLDSANVISNINGER Solenoventiler serie 551, messinghus, eller serierne 551-553, hus af rustfrit stål, 1/4", 1/2" gevind eller NAMUR-grænseflade	3/2 NC	DK
		5/2 - 5/3	

• **Montering af pilotens udløb**  
Udstødningen kan opsamlles som det passer bedst til den brugte version.

• **Manuel overstyring**  
Afhængigt af versionen, er produktet leveret uden manuel overstyring eller med impuls-type manuel overstyring til styring uden elektricitet. Den manuelle tilsidesættelse er angivet med symbolet (H) på fig. 7, og ref. 10 på fig. 3a, 3b, 13a, 13b.

Med den impulsstyrede eller faste (af typen tryk/drej) manuelle tilsidesættelse, der er angivet af symbolet (H) på fig. 3a, 3b, 13a og 13b, kan der foretages betjening uden strøm.

**For ventilen bliver sat i gang, skal man sikre sig at den manuelle overstyring er drejer tilbage og koblet fra ved position "0" for at forebygge personskader eller skader på udstyr.**

• **Tilpasning til ekstern pilotforsyning**  
(fig. 3a, 3b, 13a og 13b, ref. 6)

• **Generelle anbefalinger i forbindelse med pneumatisk montering**  
Forbind rørene til de krævede funktioner, som angivet i denne dokumentation og på port markeringerne på produktet.

Sørg for at ingen fremmedlegemer kommer ind i systemet. Understøt rørene korrekt og ret dem ind på linie, for at forebygge mekanisk belastning på ventilen. Brug ikke ventilen som håndgreb ved stramningen, men placer skruenøglen så tæt på forbindingspunktet som muligt. For at undgå at skade udstyret, må rørforbindelserne IKKE OVERSPÆNDES.

• **Gevindskårne porte version 1/4 -1/2 (fig 3a, fig 3b): Montering af spoleventilen:**

- 3/2 NL funktion:  
Trykudløb ved port 1 (1/4" eller 1/2" gevind). Trykudløb ved port 2.

- Udstødning ved port 3 (1/4" eller 1/2" gevind).  
5/2 funktion:  
Tryk indtag ved port 1. Tryk udløb ved portene 2 og 4. Udstømningen bliver ledt gennem ventilen til portene 3 og 5.

• **Versioner med NAMUR interface (afbild. 13a, 13b): Montering af spoleventilen:**

Forbind rørene som vist på mærket:  
- 3/2 NL funktion:  
Trykudløb ved port 1 (1/4" eller 1/2" gevind). Trykudløb ved port 2.

Udløb ved port 3 (messinghus: 1/8"; hus af rustfrit stål: 1/4" eller 1/2" gevind). Udløb fra retrooperatorens fjederkamre i den enkeltvirkende version er ledt gennem ventilen til 1/8" Port 3. Det anbefales at beskytte port 5 (hvis den ikke er i brug) - den må ikke tætnes.

- 5/2 funktion:  
Trykudløb ved port 1 (1/4" eller 1/2" gevind). Trykudløb ved portene 2 og 4.

Udstømningen bliver ledt gennem ventilen til portene 3 og 5 (messinghus: 1/8"; hus af rustfrit stål: 1/4" eller 1/2" gevind).

• **Tilkoblingen af udløbsbegrænsere (messing hus)**  
Serie 551 glideventilerne bliver leveret, som de er bestilt, med eller uden miniature 1/8" udstødningsskruer, suffiks M (fig. 13a).

Disse justerbare mini udløbsbegrænsere bruges til at justere aktivatorens driftshastighed. De kan også monteres (1/8" gevind) for at opsamle udstømningen.

Montage / justering (fig. 3a):  
Version 3/2 NC = 1 udløbsbegrænsere til montering på port 3

Version 5/2 = 2 udløbsbegrænsere til montering på portene 3 og 5

For skruen (4) på begrænsers ind i hullet og skru den ind indtil den stopper; drej den derefter ud for at øge udløbs-hastigheden (Aldrig mere end to omdrejninger, maks. stømmingshastighed opnås efter en omdrejning).

Stram låsemøtrikken (4a) med en 13 mm nøgle. Indstil omtrentligt før der bliver sat tryk på, og finjuster efter at trykket er sat på.

**ELEKTRISK FORBINDELSE**  
Før der foretages nogen handlinger, skal den elektriske strøm slås fra komponenterne.

Alle skrueer skal spændes til et passende moment før indkøring. Udfor tilslutningen til jorden for versioner > 48 V.

• **Versioner med magnetspolehoveder med ASCO interface:**  
Se de ekstra installationsinstruktioner der følger med hvert magnetspolehovede.

IP65-klassificeret solenooperator (fig. 3a, 3b og 13a, 13b): Monter spolen på røret (så den kan drejes 360° rundt) og derefter det aftagelige ISO 4400/EN 175101-803A-stik (kabeldiameter 6-10 mm), der kan drejes 90° (3 ben: 2 + jord).

• **Versjon med CNOMO monteringsplade:**  
Se de ekstra installationsinstruktioner der følger med hver pilotventil.

• **Generelle anbefalinger:**  
Elektriske forbindelser skal udføres af kvalificeret personale og i følge de gældende lokale standarder og forskrifter.

Forsigtigt:  
- Afhængig af strømstyrken, skal elektriske komponenter jordforbindes i følge de lokale standarder og forskrifter.

De fleste ventiler er udstyret med spoler der er konstrueret til kontinuerlig drift. For at forebygge personskader må man ikke røre magnetenheden, som kan blive meget varm under normale driftsomstændigheder. Hvis der er let adgang til magnetventilen, skal installatoren sørge for beskyttelse mod kontakt med magnetenheden ved et uheld.

**VEDLIGEHOLD**  
Før der foretages noget vedligeholdarbejde, eller start af drift, skal den elektriske strøm slås fra, trykket udløses og ventilen skal luftes for at forebygge personskader eller skader på apparatur.

ATEX-versioner: **Følg omhyggeligt alle procedurer, der anbefales af direktiv 99/92/EF og tilhørende standarder.**

• **Rengøring**  
Vedligehold af ventilerne afhænger af driftsomstændigheder. De skal gøres rent med regelmæssige mellemrum. Under vedligeholdarbejdet skal komponenterne ses efter for unormal stærk slidtage. Komponenterne skal gøres rene når man stærker en nedslættelse i cyklusens hastighed, selvom styrelsens tryk er korrekt, eller hvis der opstår en usædvanlig lyd eller lækage.

• **Lyd**  
Lydstyrken afhænger af brugen, mediet og den type udstyr der er brugt. Den præcise iagttagelse af lydniveauet, kan kun blive gjort af den bruger, der har ventilen installeret i sit system.

• **Forebyggelse vedligehold**  
- Kor ventilen mindst én gang om måneden for at kontrollere dens funktion.

- Dersom der opstår problemer under vedligeholdelsen, eller hvis du er i tvivl om noget, bedes du kontakte os eller en af vores autoriserede repræsentanter.

• **Fejlløsering**  
- Forkert udstømningstryk: Kontroller trykket på tilførselsiden af ventilen; det skal korrespondere med de værdier der er angivet på fabriksskiltet.

• **Reserverede**  
Spoler er til rådighed som reservedele. Om nødvendigt, skift hele ventilen ud.

<b>ASCO</b>	<b>INSTRUÇÕES DE INSTALAÇÃO E MANUTENÇÃO</b> Válvulas solenóides da série 551, corpo de latão, ou da série 551-553, corpo de aço inoxidável, rosca de 1/4", 1/2" ou interface NAMUR	3/2 NC	<b>PT</b>
		5/2 - 5/3	

**DESCRIÇÃO DA APROVAÇÃO**  
**Versões relacionadas com a aprovação (Fig. 1 - 11):**  
**Corpo de latão (série 551) ou de aço inoxidável (série 551, 553), monoestável (retorno da mola) ou biestável, função 3/2 NC (normalmente fechada) ou 5/2, versão isolada da atmosfera exterior. Versões sem sobreposição manual ou com sobreposição manual de tipo impulso;**  
- com portas roscadas de 1/4 (551) ou 1/2 (553) - 551, com ligação de rosca de 1/4", profundidade de porta máx. de 11,5 mm. (Não ligue o fornecimento de pressão à porta de escape 3. A construção "ambientalmente protegida" não está adaptada para uma função "de distribuição" ou utilização na função NO. Contacte-nos para saber as funções disponíveis em versões específicas.).  
- com interface NAMUR para montagem directa de accionadores pneumáticos de acção individual (função 3/2 NC) ou acção dupla (função 5/2). Pode adaptar-se uma única válvula de carretos para dois tipos de controlo instalando a parte inferior: (fig. 13a, 13b, ref. 1a e 1b)  
- série 551: da placa de interface fornecida 3/2 NC - 5/2  
- série 553: da placa de interface fornecida 3/2 NC ou 5/2.  
**551, 1/4", profundidade de porta máx. de 11,5 mm. (Não ligue o fornecimento de pressão à porta de escape 3. A construção "ambientalmente protegida" não está adaptada para a função NO. Contacte-nos para saber as funções disponíveis em versões específicas.).**  
- Ligue os tubos para as funções requeridas de acordo com esta documentação e as marcas das portas no produto.  
- Certifique-se de que não entra nenhuma matéria estranha para evitar o bloqueio do funcionamento da válvula. Restrinja a utilização de fita vedante ou material vedante a um mínimo.  
- Estas válvulas destinam-se à utilização com ar seco e limpo ou gás inerte. Filtragem mínima recomendada: 50 micrones.  
O ponto de condensação do fluido utilizado tem de estar a pelo menos -10°C (18°F) abaixo da temperatura mínima a que o fluido possa estar exposto. Quando utilizar ar lubrificado, o lubrificante tem de ser compatível com os elastómeros utilizados. O ar do instrumento em conformidade com as normas ANSI/ISA S7.3 (1975) excede os requisitos necessários e é, por isso, um fluido aceitável para estas válvulas.  
**Tem de proteger todas as portas de saída das válvulas e dos pilotos com protectores de saída de aço inoxidável. Ligue os protectores de escape à 3 (3/2 NC) ou às portas 3 - 5 (5/2). Quando utilizados no exterior ou guardados durante períodos de tempo mais longos, e/ou expostos a ambientes severos (poeiras, líquidos, etc.), tem de utilizar protectores de escape. A fiabilidade da válvula não pode ser garantida se utilizar um protector de escape diferente do fornecido.**  
- Pressão de trabalho máxima:  
- de 2 a 10,4 bar  
- de 2 a 8 bar (195/LISC)

**DESCRIÇÃO**  
**Versões ATEX 94/9/CE: Consulte as "Condições especiais para utilização segura".**  
**Versões isoladas da atmosfera:** As partes internas da válvula estão isoladas da atmosfera exterior para fornecer protecção em ambientes agressivos. Todas as portas de saída da válvula de carretos são ligeiras, fornecendo melhor protecção ambiente, recomendada especialmente para áreas sensíveis, como aplicações e salas limpas na indústria farmacéutica ou alimentar. É necessário ligar tubos ou acessórios às portas de saída para proteger as partes internas da válvula de carretos, se utilizada no exterior ou em ambientes severos (poeiras, líquidos, etc.).

**CONDIÇÕES ESPECIAIS PARA UTILIZAÇÃO SEGURA**  
**ATEX 94/9/CE:** A válvula tem de ser ligada à terra (ref. F).  
**Condições de armazenamento:** protegida da exposição às condições meteorológicas; temperatura de armazenamento: de -40°C a +70°C; humidade relativa: 95%  
A válvula de carretos deve ser mantida na embalagem original enquanto não for utilizada. Não deve remover as tampas de protecção das portas de ligação e dos operadores de solenóide.  
temperatura ambiente: -40°C a +60°C (+80°C, 551, aço inoxidável). A temperatura máxima do fluido não deve exceder a temperatura ambiente.  
**Depois do armazenamento a baixa temperatura, as válvulas de carretos têm de ficar gradualmente à temperatura**

**de funcionamento antes da pressurização.**  
As válvulas de carretos devem ser utilizadas de acordo com as especificações técnicas especificadas na placa de identificação. As alterações aos produtos só podem ser efectuadas após consulta ao fabricante ou ao seu representante. **Estas válvulas de carretos de solenóide foram concebidas para operar com ar filtrado ou gás neutral.** Não exceda a pressão máxima admissível da válvula = 8/10,4 bar. A instalação e a manutenção da válvula devem ser efectuadas apenas por pessoal qualificado.  
\* Versões operadas a ar IP65 standard ou versões para utilização em atmosferas explosivas provocadas por gases, vapores, névoas ou poeiras de acordo com a Directiva ATEX 94/9/CE. (A classificação da zona desta versão é indicada na etiqueta ATEX, ref. E2).

**E2/Código de segurança: II 2 GD c Ta 60°C T85°C (T6).**  
A conformidade com os requisitos essenciais de saúde e segurança foi garantida de acordo com as normas europeias **EN 13463-1**.  
\* Versões operadas a ar equipadas com operadores de solenóide:  
- IP65 vedada ou  
- certificada para utilização em atmosferas explosivas de acordo com a Directiva ATEX 94/9/CE  
\* **Versões com operadores de solenóide e base de montagem ASCO.** IP65 classificada como standard, ou para utilização em atmosferas explosivas II 3D IP65 ou ATEX/IECEx Ex d, m, em, ia.  
\* **Versões com pilotos e base de montagem CNOMO E06.05.80 (tamanho 30).** IP65 classificada como standard, ou montagem de pilotos para utilização de acordo com a ATEX Ex d ou a Ex ia.  
\* **Versões com pilotos e base de montagem CNOMO E06.05.80 (tamanho 30).** IP65 classificada como standard, ou montagem de pilotos para utilização de acordo com a ATEX Ex d ou a Ex ia.  
\* **Precaução (Pilotos CNOMO): A colocação de válvulas em zonas (ATEX 1999/92/CE) é definida na primeira linha pelas indicações da etiqueta (ref. E2) no corpo de cada válvula.**

**E2/Código de segurança: II 2 GD c Ta 60°C T85°C (T6).**  
**Quando montar este produto num piloto para ATEX 94/9/CE, tenha em atenção a temperatura, pressão de trabalho máxima e a categoria menos favorável.** A conformidade com os requisitos essenciais de saúde e segurança foi garantida de acordo com as normas europeias **EN 13463-1**.  
Tem de cumprir a posição de montagem dos pilotos como apresentado nas figuras de 5/6/7/8/10 e os binários de aperto indicados. **Para operadores de solenóide e pilotos ATEX 94/9/CE, as instruções de utilização fornecidas nas instruções de instalação específicas fornecidas com o produto têm de ser cumpridas.**

**MONTAGEM**  
**Δ Versões ATEX 94/9/CE:** Certifique-se de que todas as peças condutoras ou metálicas estão sempre interligadas e ligadas a terra. O corpo da válvula fica ligado a terra com o parafuso de aperto (ref. F).  
As válvulas podem ser montadas em qualquer posição.  
**Versões de porta roscada 1/4-1/2 (fig. 3a, fig. 3b):** Monte a válvula com dois parafusos (rep. 1) (não fornecida).  
**Versões com interface NAMUR (fig. 13a, 13b):** Antes de montar a válvula de carretos no accionador, tem de definir para a função requerida. (rep. 1a ou 1b)  
- Série 551: Segure na placa da interface e rode-a 180° para posicioná-la na função 3/2 NC ou 5/2 recomendada.  
- Série 553: Selecione a placa de interface correspondente à função 3/2 NC ou 5/2 recomendada.

- Certifique-se de que o vedante está instalado correctamente (rep. 7)  
- Monte a interface abaixo da válvula de carretos com os 2 parafusos fornecidos (rep. 8). Certifique-se de que a indicação da função fica no lado de retorno (ranhura de polarização).  
- Instale os dois o-rings (rep. 9).  
- Se necessário, instale o perno guia no operador:  
\* Na placa de funções da 3/2 NC: o orifício de 5 de diâmetro está na A1.  
\* Na placa de funções da 5/2: o orifício de 5 de diâmetro está na A2.

**LIGAÇÃO PNEUMÁTICA (fig. 3a, 3b, 13a e 13b)**  
Dependendo da versão (3/2 NC ou 5/2), pode utilizar um dos protectores de saída de aço inoxidável (ver fig. 2).  
\* **Ligação da versão de piloto pneumático:** G 1/8 ou NPT 1/8 ou G 1/4 ou NPT 1/4.

<b>ASCO</b>	<b>INSTRUÇÕES DE INSTALAÇÃO E MANUTENÇÃO</b> Válvulas solenóides da série 551, corpo de latão, ou da série 551-553, corpo de aço inoxidável, rosca de 1/4", 1/2" ou interface NAMUR	3/2 NC	<b>PT</b>
		5/2 - 5/3	

**LIGAÇÃO ELÉCTRICA**  
**Antes de efectuar qualquer intervenção, desligue a corrente eléctrica para desactivar os componentes.**  
Todos os bornes de parafusos têm de ser apertados de acordo com o binário apropriado, antes da entrada em funcionamento. Faça a ligação à terra para versões > 48 V.  
\* **Versões com cabeças solenóides com interface ASCO:** Consulte as instruções de instalação adicionais fornecidas com todas as cabeças solenóides.  
Operador de solenóide IP65 (fig. 3a, 3b e 13a, 13b): Monte a bobina no tubo (rotação de 360°) e, em seguida, o conector ISO 4400/EN 175101-803A amovível (diâmetro do cabo 6-10 mm) com rotação de 90° (3 pinos: 2 + terra).  
\* **Versão com base de montagem CNOMO:** Consulte as instruções de instalação adicionais fornecidas com todas as válvulas piloto.  
\* **Recomendações gerais:** As ligações eléctricas têm de ser efectuadas por pessoal qualificado e de acordo com os regulamentos e as normas locais aplicáveis.  
**Precaução:**  
- Dependendo da voltagem, os componentes eléctricos têm de ser ligados à terra de acordo com os regulamentos e as normas locais.  
A maior parte das válvulas está equipada com bobinas concebidas para trabalho contínuo. Para evitar lesões corporais, não toque no operador de solenóide que pode ficar quente em condições de funcionamento normais. Se a válvula tiver acesso fácil, o instalador deve utilizar equipamento de protecção para evitar qualquer contacto accidental com o operador de solenóide.

**Δ Antes de a colocar em funcionamento, certifique-se de que a substituição manual volta à posição de desengrenagem "0" para evitar o risco de danos físicos ou materiais.**

**Adaptação ao fornecimento do piloto externo** (fig. 3a, 3b, 13a e 13b, ref. 6)  
**Recomendações gerais para ligação pneumática**  
Ligue os tubos para as funções requeridas de acordo com esta documentação e as marcas das portas no produto. Certifique-se de que não entra nenhuma matéria estranha no sistema.  
Apoie e alinhe correctamente os tubos para impedir o esforço mecânico da válvula. Quando apertar, não utilize a válvula como uma alavanca; coloque as chaves de bocas junto ao ponto de ligação. Para evitar danos no equipamento, NÃO APERTE EXCESSIVAMENTE as ligações do tubo.

**Versões de porta roscada 1/4 - 1/2 (fig. 3a, fig. 3b):**  
**Ligação da válvula de carretos:**  
Ligue os tubos como indicado na etiqueta:  
- **Função 3/2 NC:**  
Entrada de pressão na porta 1 (Rosca de 1/4" ou 1/2").  
Saída de pressão na porta 2.  
Escape na porta 3 (Rosca de 1/4" ou 1/2").  
- **Função 5/2:**  
Entrada de pressão na porta 1. Saída de pressão nas portas 2 e 4. Os escapes são canalizados através da válvula para as portas 3 e 5.

**Versão com interface NAMUR (fig. 13a, 13b):**  
**Ligação da válvula de carretos**  
Ligue os tubos como indicado na etiqueta:  
- **Função 3/2 NC:**  
Entrada de pressão na porta 1 (Rosca de 1/4" ou 1/2").  
Saída de pressão na porta 2.  
Escape na porta 3 (corpo de latão: 1/8; corpo de aço inoxidável: rosca de 1/4" ou 1/2").  
Escape a partir das câmaras da mola de retorno do operador na versão de acção individual através da válvula para a porta 3 de 1/8". Recomendamos que proteja a porta 5 (se não utilizada) - não a pare.  
- **Função 5/2:**  
Entrada de pressão na porta 1 (Rosca de 1/4" ou 1/2").  
Saída de pressão nas portas 2 e 4.  
Os escapes são canalizados através da válvula para as portas 3 e 5 (corpo de latão: 1/8; corpo de aço inoxidável: rosca de 1/4" ou 1/2").

**Ligação dos redutores de escape (corpo de latão):**  
As válvulas de carretos da série 551 são fornecidas como encomendadas com ou sem redutores de escape de 1/8" miniaturas, sufixo M (fig. 13a).  
Estes redutores de escape ajustáveis são utilizados para ajustar a velocidade de funcionamento do accionador. Podem também ser ligados (rosca de 1/8) para recolher os escapes.  
**Montagem / Ajuste (fig. 3a):**  
Versão 3/2 NC = 1 redutor de escape para instalar na porta 3  
Versão 5/2 = 2 redutores de escape para instalar nas portas 3 e 5  
Encaixe o parafuso (4) do redutor no orifício e aparafuse-o até parar; rode-o para aumentar o fluxo de escape (nunca mais de duas voltas, fluxo máximo obtido numa volta). Aperte a porca de fixação (4a) com uma chave de porcas de 13 mm.  
Efectue um ajuste preliminar antes da pressurização e um ajuste fino depois da pressurização.

**MANUTENÇÃO**  
**Δ Antes de efectuar qualquer trabalho de manutenção ou operação, desligue a corrente eléctrica, depressurize e descarregue a válvula para evitar lesões corporais ou danos no equipamento.**  
**Versões ATEX: Cumpra todos os procedimentos recomendados pela Directiva 99/92/CE e normas associadas.**  
\* **Limpeza**  
A manutenção das válvulas depende das condições de funcionamento. Tem de ser limpas em intervalos regulares. Deve verificar se os componentes têm um desgaste excessivo durante a assistência. Tem de limpar os componentes quando uma desaceleração do ciclo apesar da pressão do piloto estar correcta ou se detectar uma fuga ou ruído pouco usual.  
\* **Emissão de som**  
A emissão de som depende da aplicação, material e tipo de equipamento utilizado. A determinação exacta do nível de som só pode ser efectuada pelo utilizador com a válvula instalada no sistema.  
\* **Manutenção preventiva**  
- Opere a válvula pelo menos uma vez por mês para verificar o funcionamento.  
- Se detectar algum problema durante a manutenção ou em caso de dúvida, contacte-nos ou um dos representantes autorizados.  
\* **Resolução de problemas**  
- Pressão de saída incorrecta: Verifique a pressão no lado de fornecimento da válvula; tem de corresponder aos valores indicados na placa de identificação.  
**Precaução: cumpra valor mínimo de pressão do piloto de 2 bar.**  
Para evitar lesões corporais ou danos no equipamento, verifique se a válvula funciona correctamente antes de a voltar a colocar em funcionamento.  
\* **Peças sobresselentes**  
As bobinas estão disponíveis como peças sobresselentes. Se necessário, substitua a válvula inteira.

	<b>ΟΔΗΓΙΕΣ ΕΓΚΑΤΑΣΤΑΣΗΣ ΚΑΙ ΣΥΝΤΗΡΗΣΗΣ</b> Ηλεκτροβαλβίδες σειράς 551, με ορειχάλκινο κορμό, ή σειράς 551-553, με κορμό από ανοξείδωτο χάλυβα, σπείρωμα 1/4", 1/2" ή διασύνδεση NAMUR	3/2 NC	GR
		5/2 - 5/3	

**ΠΕΡΙΓΡΑΦΗ ΤΗΣ ΕΓΚΡΙΣΗΣ**  
 Εκδόσεις που αφορά η έγκριση (Εικ. 1 και 11):  
 Ορειχάλκινο κορμός (σειρά 551) ή κορμός ανοξείδωτου χάλυβα (σειρά 551, 553), μονοστάθης (επιαναφορά ελατηρίου) ή διστάθης, λειτουργία 3/2 NC (κανονικά κλειστή) ή 5/2, έκδοση απομονωμένη από την εξωτερική ατμόσφαιρα. Εκδόσεις χωρίς μηχανική παράκαμψη ή με μηχανική παράκαμψη παλμικού τύπου:

- με θύρες με σπείρωμα 1/4 (551) ή 1/2 (553) - **551, με σύνδεση σπείρωμα 1/4", μέγιστο βάθος θύρας 11,5mm. (Μη συνδέτε την παροχή πίεσης στο στόμιο εξόδου 3. Η κατασκευή με "προστασία από συνθήκες περιβάλλοντος" δεν είναι προσαρμοσμένη για "διανεμητική" λειτουργία, ή χρήση σε λειτουργία ΝΟ. Επικοινωνήστε μαζί μας για τις διαθέσιμες λειτουργίες σε επιμέρους εκδόσεις).**
- με σύνδεση NAMUR για άμεση τοποθέτηση σε pneυματικό μηχανισμό απλής ενέργειας (λειτουργία 3/2 NC) ή διπλής ενέργειας (λειτουργία 5/2). Οι απλές εμβολοβαλβίδες μπορούν να προσαρμοστούν σε δύο τύπους ελέγχου με την μετατόπιση του κάτω τμήματος: (εικ. 13a, 13b, βλ. 1a και 1b)
- σειρά 551 : με παρεχόμενη πλάκα σύνδεσης 3/2 NC – 5/2.
- σειρά 553 : με παρεχόμενη πλάκα σύνδεσης 3/2 NC ή 5/2.
- 1/4", μέγιστο βάθος θύρας 11,5mm (Μη συνδέτε την παροχή πίεσης στο στόμιο εξόδου 3. Η κατασκευή με "προστασία από συνθήκες περιβάλλοντος" δεν είναι προσαρμοσμένη για λειτουργία ΝΟ. Επικοινωνήστε μαζί μας για τις διαθέσιμες λειτουργίες σε επιμέρους εκδόσεις).

- Συνδέστε τους σωλήνες για τις απαιτούμενες λειτουργίες σύμφωνα με τα έγγραφα αυτά και τη σημαση των στομίων στο προϊόν.
- Φροντίστε να μην εισχωρήσουν ξένα σώματα στο κύκλωμα για να μη μπλοκάρει η λειτουργία της βαλβίδας. Περιορίστε τη χρήση στεγανωτικής ταινίας ή στεγανωτικής ουσίας στο ελάχιστο.
- Οι βαλβίδες αυτές προορίζονται για χρήση με καθαρό και ξηρό αέρα ή αδρανές αέριο. Συνιστώμενη ελάχιστη διήθηση: 50 μικρά. Το σφίξιμο δρόμου του ρευστού που χρησιμοποιείται πρέπει να είναι τουλάχιστον -10°C (18°F) κάτω από την ελάχιστη θερμοκρασία στην οποία μπορεί να εκτεθεί το ρευστό. Όταν χρησιμοποιείται λιπαίνωμος αέρας, το λιπατικό πρέπει να είναι συμβατό με τα ελαστομέρη που χρησιμοποιούνται. Ο εργασιολογικός αέρας κατά το πρότυπο ANSI/ISA 57.3 (1975) υπερκαλύπτει τις απαιτήσεις προτύπου σε ποιότητα, επομένως, ένα αποδοκίμο ρευστό για τις βαλβίδες αυτές.

**⚠** Όλες οι θύρες εκτόνωσης των βαλβίδων και των πιλότων πρέπει να προστατεύονται με τα προστατευτικά εκτόνωσιων ανοξείδωτου χάλυβα. Συνδέστε τα προστατευτικά στο στόμιο εξόδου στη θύρα 3 (3/2 NC) ή θύρες 3 - 5 (5/2). Κατά την εξωτερική χρήση, ή κατά την αποθήκευση για μεγάλο χρονικό διάστημα και/ή κατά την έκθεση σε διαβρωτικά περιβάλλοντα (σκόνες, υγρά κλπ.), πρέπει να χρησιμοποιούνται προστατευτικά για στόμια εξόδου. Η αξιολόγηση της βαλβίδας δεν μπορεί να εγγυηθεί εάν χρησιμοποιείται προστατευτικό για στόμιο εξόδου διαφορετικό από το συγκεκριμένο που παρέχεται.

- Μέγιστη πίεση λειτουργίας:
  - 2 έως 10,4 bar
  - 2 έως 8 bar (195/LISC)

**ΠΕΡΙΓΡΑΦΗ**  
**Εκδόσεις ATEX 94/9/ΕΚ: Δείτε την ενότητα "Ειδικό όρο ασφαλοσύνης χρήσης".**  
**Εκδόσεις απομονωμένες από την ατμόσφαιρα:** Τα εξωτερικά εξαρτήματα της βαλβίδας είναι απομονωμένα από το εξωτερικό περιβάλλον με σκοπό την εξασφάλιση προστασίας σε επιθετικά περιβάλλοντα. Όλα τα στόμια εξόδου της εμβολοβαλβίδας διασυνδέονται, παρέχοντας καλύτερη περιβαλλοντική προστασία, κάτι που συνιστά ιδιαίτερα σε ευαίσθητους τομείς όπως οι 'καθαροί χώροι' και εφαρμογές της φαρμακοβιομηχανίας ή της βιοχημικής προώθησης. Είναι αναγκαίο να συνδεθεί σωλήνες ή υδραυλικά εξαρτήματα στα στόμια εξόδου για να προστατεύεται τα εξωτερικά εξαρτήματα της εμβολοβαλβίδας, όταν αυτή χρησιμοποιείται εξωτερικά σε σκληρό περιβάλλον (σκόνες, υγρά κλπ.).

**ΕΙΔΙΚΟΙ ΟΡΟΙ ΑΣΦΑΛΟΥΣ ΧΡΗΣΗΣ**  
 Εκδόσεις ATEX 94/9/ΕΚ: Η βαλβίδα πρέπει να νευθεί δ (σημ. F). Συνθήκες αποθήκευσης: απαιτείται προστασία από τα καιρικά φαινόμενα. Θερμοκρασία αποθήκευσης: -40°C έως +70°C / σχετική υγρασία: 95 %

Η εμβολοβαλβίδα πρέπει να διατηρείται στην αρχική της συσκευασία για όσο διάστημα δεν χρησιμοποιείται. Τα προστατευτικά καλύμματα δεν πρέπει να αφαιρούνται από τα στόμια σύνδεσης και τους ηλεκτρομαγνητικούς μηχανισμούς.

Θερμοκρασία περιβάλλοντος: -40°C έως +60°C (+80°C, 551, από ανοξείδωτο χάλυβα). Η μέγιστη θερμοκρασία του ρευστού δεν πρέπει να ξεπερνά τη θερμοκρασία περιβάλλοντος.

**Μετά την αποθήκευση σε χαμηλή θερμοκρασία, οι**

**εμβολοβαλβίδες πρέπει να αποκτήσουν σταδιακή θερμοκρασία λειτουργίας πριν την εφαρμογή πίεσης σε αυτές.** Οι εμβολοβαλβίδες προορίζονται για χρήση στα πλαίσια των τεχνικών χαρακτηριστικών που καθορίζονται στην πινακίδα του. Αλλάξτε στα προϊόντα επιτρέπονται μόνον αφού συμβουλευθείτε τον κατασκευαστή ή τον αντιπρόσωπό του. Αυτές οι ηλεκτρομαγνητικές εμβολοβαλβίδες έχουν σχεδιαστεί για λειτουργία με φιλτραρισμένο πεπιεσμένο αέρα ή ουδέτερο αέριο. Μην υπερβείτε τη μέγιστη επιτρεπτή πίεση στη βαλβίδα = 8/10,4 bar. Η εγκατάσταση και συντήρηση της βαλβίδας πρέπει να εκτελείται μόνο από εξειδικευμένο προσωπικό.

- Εκδόσεις πεπιεσμένο αέρα, διαβάθμιση IP65, η έκδοση για χρήση σε εκρηκτικό περιβάλλον που δημιουργούν αέρα, αναθυμιάσεις, νέφη ή σκόνης, σύμφωνα με την Οδηγία ATEX 94/9/ΕΚ. (Η ζώνη ταξινόμησης αυτής της έκδοσης επισημαίνεται στην πινακίδα ATEX, σημ. E2).

E2/Κωδικός ασφαλείας: II 2 GD c Ta 60°C T85°C (T6).

Η συμμόρφωση με τις σημαντικές απαιτήσεις υγιεινής και ασφαλείας εξασφαλίζεται με τη συμμόρφωση προς τα Ευρωπαϊκά Πρότυπα **EN 13463-1**.

- Εκδόσεις που λειτουργούν με ηλεκτρομαγνητή και πεπιεσμένο αέρα εξοπλισμένες με ηλεκτρομαγνητικό μηχανισμό:
  - στεγανοποιημένες κατά IP65 ή
  - πιστοποιημένες για χρήση σε εκρηκτικό περιβάλλον σύμφωνα με την Οδηγία ATEX 94/9/ΕΚ
- Εκδόσεις με ηλεκτρομαγνητικό μηχανισμό και βάση στρίψεως ASCO διαβάθμιση IP65 ή για χρήση σε εκρηκτικό περιβάλλον II 3D IP65/IP67 ή κατά ATEX/IECEx Ex d, m, em, ia.
- Εκδόσεις με πιλοτικό μηχανισμό και βάση στρίψεως CNOMO E06.05.80 (μένεζος 30), διαβάθμιση IP 65, η για χρήση σε εκρηκτικό περιβάλλον κατά ATEX Ex d ή Ex ia.

Προσγωγή (πιλοτικό μηχανισμό CNOMO): Η τοποθέτηση των βαλβίδων σε ζώνες (ATEX 99/92/ΕΚ) καθορίζεται κατ'αρχήν από την πινακίδα (σημ. E2) στο σωμα κλά βαλβίδας. E2/Κωδικός ασφαλείας: II 2 GD c Ta 60°C T85°C (T6).

**Κατά την συναρμολόγηση αυτού του προϊόντος σε πιλοτικό μηχανισμό κατά ATEX 94/9/ΕΚ, πρέπει να λαμβάνεται η λιγότερο ευνοϊκή κατηγορία, πείραξη πίεση λειτουργίας και θερμοκρασία.** Η συμμόρφωση με τις σημαντικές απαιτήσεις υγιεινής και ασφαλείας εξασφαλίζεται με τη συμμόρφωση προς τα Ευρωπαϊκά Πρότυπα **EN 13463-1**.

Πρέπει να τηρούνται η θέση τοποθέτησης του πιλοτικού μηχανισμού, όπως φαίνεται στις εκκ. έαι οι προβλεπόμενες ροπές σύσφιξης. Για τους ηλεκτρομαγνητικούς μηχανισμούς και τους πιλοτικούς μηχανισμούς κατά ATEX 94/9/ΕΚ, πρέπει να τηρούνται οι οδηγίες χρήσης καθώς και οι συγκεκριμένες οδηγίες εγκατάστασης που διατίθενται με το προϊόν.

**ΣΥΝΑΡΜΟΛΟΓΗΣΗ**  
**⚠** Εκδόσεις ATEX 94/9/ΕΚ: Φροντίστε όλα τα μεταλλικά ή αγώγιμα μέρη να είναι πάντα διασυνδεδεμένα μεταξύ τους και συνδεδεμένα με τη γείωση. Το σώμα της βαλβίδας συνδέεται με τη γείωση, μέσω της βίδας σύσφιξης (σημ. F). Οι βαλβίδες μπορούν να τοποθετηθούν σε οποιαδήποτε θέση. Εκδόσεις θύρας με σπείρωμα 1/4-1/2 (εικ. 3a, εικ. 3b): Τοποθετήστε τη βαλβίδα με τις δύο βίδες (σημ. 1) (δεν διατίθενται). **Εκδόσεις με διασύνδεση NAMUR** (εικ. 13a, 13b): Πριν την τοποθέτηση της εμβολοβαλβίδας στον μηχανισμό, πρέπει να τη ρυθμίσετε στην απαιτούμενη λειτουργία. (σημ. 1a ή 1b)
 

- Σειρά 551 : Παιρνε την πλάκα σύνδεσης και την προεπιτεθειμένη κατά 180° ώστε να την φερέτε στη συνιστώμενη λειτουργία 3/2 NC ή 5/2.
- Σειρά 553 : Επιλέγνε την πλάκα σύνδεσης που αντιστοιχεί στη συνιστώμενη λειτουργία 3/2 NC ή 5/2.
- Βεβαιωθείτε ότι η πινακίδα έχει τοποθετηθεί σωστά (σημ. 7).
- Τοποθετήστε τη βάση σύνδεσης κάτω από την εμβολοβαλβίδα με τις 2 βίδες που διατίθενται (σημ. 8). Βεβαιωθείτε ότι η ένδειξη της λειτουργίας βρίσκεται στην πλευρά της επιστροφής (υποδοχή πόλλωσης).
- Τοποθετήστε τις δύο τιμούλες (σημ. 9).
- Αν χρειαστεί, τοποθετήστε τον φεσιτό περρι στο μηχανισμό:
  - Στη βάση λειτουργίας 3/2 NC: η τρύπα διαμέτρου 0 5 είναι στο Α1.
  - Στη βάση λειτουργίας 5/2: η τρύπα διαμέτρου 0 5 είναι στο Α2. ΠΝΕΥΜΑΤΙΚΗ ΣΥΝΔΕΣΗ (εικ. 3a, 3b, 13a και 13b)

Ανάλογα με την έκδοση (3/2 NC ή 5/2), μπορούν να χρησιμοποιηθούν ένα ή δύο προστατευτικά εκτόνωσης από ανοξείδωτο χάλυβα (βλ. εικ. 2).

- **Σύνδεση της έκδοσης με πνευματικό πιλοτικό μηχανισμό:**  
 G 1/8 ή NPT 1/8 ή G 1/4 ή NPT 1/4.

	<b>ΟΔΗΓΙΕΣ ΕΓΚΑΤΑΣΤΑΣΗΣ ΚΑΙ ΣΥΝΤΗΡΗΣΗΣ</b> Ηλεκτροβαλβίδες σειράς 551, με ορειχάλκινο κορμό, ή σειράς 551-553, με κορμό από ανοξείδωτο χάλυβα, σπείρωμα 1/4", 1/2" ή διασύνδεση NAMUR	3/2 NC	GR
		5/2 - 5/3	

**Σύνδεση εξαγωγών πιλοτικού μηχανισμού**  
 Οι εξαγωγές μπορούν να συλλεχθούν σε συλλέκτη, ανάλογα με την έκδοση που χρησιμοποιείται.

**Μηχανική παράκαμψη**  
 Ανάλογα με την έκδοση, τα προϊόντα διατίθενται χωρίς μηχανική παράκαμψη ή με μηχανική παράκαμψη παλμικού τύπου για λειτουργία χωρίς ρεζίνα. Η χειροκίνητη παράκαμψη υποδεικνύεται με το σύμβολο (H) στην εικ. 7, και βλ. 10 στην εικ. 3a, 3b, 13a, 13b.

Η χειροκίνητη παράκαμψη κρουστικού τύπου ή διατήρησης (τύπου πίεσης και περιστροφής) που υποδηλώνεται με το σύμβολο (H) στην εικ. 3a, 3b, 13a και 13b επιτρέπει τη λειτουργία χωρίς ισχύ.

**⚠ Πριν από τη θέση σε λειτουργία, φροντίστε να γυρίσετε τον μηχανισμό μηχανικής παράκαμψης σε θέση απεμπλοκής "Ο" για να αποτραπεί ο κίνδυνος τραυματισμού ή ζημίας του εξοπλισμού.**

- **Προσαρμογή σε εξωτερική πιλοτική παροχή** (εικ. 3a, 3b, 13a και 13b, βλ. 6).
- **Γενικές συστάσεις για την πνευματική σύνδεση**  
 Συνδέστε τους σωλήνες για τις απαιτούμενες λειτουργίες σύμφωνα με τα έγγραφα αυτά και τη σημαση των στομίων στο προϊόν. Φροντίστε να μην εισχωρήσουν ξένα σώματα στο σύστημα. Στριψίτε κατάλληλα και ευθυγραμμίστε τους σωλήνες για να μην αναπτύσσονται μηχανικές τάσεις στη βαλβίδα. Κατά τη σύσφιξη, μη χρησιμοποιείτε τη βαλβίδα ως μοχλό, τοποθετήστε τα εργαλεία όσο το δυνατόν πιο κοντά στο σημείο σύνδεσης. Για να απορύετε ζημία στον εξοπλισμό, ΜΗ ΣΦΙΓΤΕ ΥΠΕΡΒΟΛΙΚΑ τις συνδέσεις των σωλήνων.
- Εκδόσεις θύρας με σπείρωμα 1/4 - 1/2 (εικ. 3a, εικ. 3b):  
**Σύνδεση της εμβολοβαλβίδας:**  
 Συνδέστε τους σωλήνες όπως φαίνεται στην πινακίδα:
  - Λειτουργία 3/2 NC: Εισόδος πίεσης στην θύρα 1 (με σπείρωμα 1/4" ή 1/2"). Έξοδος πίεσης στη θύρα 2.
  - Εκτόνωση στη θύρα 3 (σπείρωμα 1/4" ή 1/2").
  - Λειτουργία 5/2: Εισόδος πίεσης στο στόμιο 1. Έξοδος πίεσης στα στόμια 2 και 4.
  - Ο εξαγωγές περνούν μέσα από τη βαλβίδα και καταλήγουν στα στόμια 3 και 5.

- **Έκδοση με σύνδεση NAMUR** (εικ. 13a):  
**Σύνδεση της εμβολοβαλβίδας:**  
 Συνδέστε τους σωλήνες όπως φαίνεται στην πινακίδα:
  - Λειτουργία 3/2 NC: Εισόδος πίεσης στην θύρα 1 (με σπείρωμα 1/4" ή 1/2"). Έξοδος πίεσης στη θύρα 2. Εξαγωγή στο στόμιο 3 (ορειχάλκινος κορμός: 1/8, κορμός ανοξείδωτου χάλυβα: σπείρωμα 1/4" ή 1/2"). Η εξαγωγή από τους θαλάμους του ελατηρίου επιστροφής του μηχανισμού απλής ενέργειας διοχετεύεται μέσω της βαλβίδας στο στόμιο 3 1/8". Προτείνεται προστασία του στομίου 5 (αν δεν χρησιμοποιείται) - **μην το φράζετε.**
  - Λειτουργία 5/2: Εισόδος πίεσης στην θύρα 1 (με σπείρωμα 1/4" ή 1/2"). Έξοδος πίεσης στα στόμια 2 και 4. Εξαγωγές περνούν μέσα από τη βαλβίδα και καταλήγουν στα στόμια 3 και 5 (ορειχάλκινος κορμός: 1/8, κορμός ανοξείδωτου χάλυβα: σπείρωμα 1/4" ή 1/2").
- **Ισύνδεση των μειωτήρων εξαγωγής (ορειχάλκινο σώμα):** Ο μεμβολοβαλβίδα βαλβίδες σειράς 551 παρέχονται ανάλογα με την παραγωγή με ή χωρίς συστατικό εξαγωγής μεινωτήρα 1/8", παρκεταμα Μ (εικ. 13a). Αυτοί οι μειωτήρες μικρομειωτήρες εξαγωγής χρησιμοποιούνται για τη ρύθμιση της ταχύτητας λειτουργίας του μηχανισμού. Μπορούν επίσης να συνδεθούν (σπείρωμα 1/8") για τη συλλογή των εξαγωγών.

**Συναρμολόγηση / Ρύθμιση** (εικ. 3a):  
 Έκδοση 3/2 NC = 1 μειωτήρας εξαγωγής στο στόμιο 3  
 Έκδοση 5/2 = 2 μειωτήρες εξαγωγής στα στόμια 3 και 5  
 Συνδέστε τη βίδα (4) στο μειωτήρα μέσα από την οπή και βιδώστε τη μέχρι το τέρμα, στη συνέχεια εβιδώστε την για να αυξηθεί η ροή της εξαγωγής (ποτέ περισσότερο από δύο στρώφες, η μέγιστη ροή επιτυγχάνεται στη μία κλειδί). Σφίξτε το ασφαλιστικό παξιμάδι (4a) με σπείρο 13 mm. Κάντε χονδρική ρύθμιση πριν από τη συμπίεση και λεπτή ρύθμιση μετά τη συμπίεση.

**ΗΛΕΚΤΡΙΚΗ ΣΥΝΔΕΣΗ**  
**Πριν από οποιαδήποτε παρέμβαση, κλείστε την παροχή ρεύματος για να απενεργοποιηθεί η εξαγωγή.**  
 Όλοι οι συνδέτικοι κοχλίες πρέπει να είναι σφηνωμένοι με την κατάλληλη ροπή στρέψης πριν την παράδοση σε λειτουργία. Κάντε τη σύνδεση με τη γη για τις εκδόσεις > 48 V.

- **Έκδοση με ηλεκτρομαγνητικές κεφαλές και σύνδεση ASCO:**  
 Δείτε τις πρόθετες οδηγίες εγκατάστασης που διατίθενται με κάθε ηλεκτρομαγνητική κεφαλή. Χειριστής ηλεκτροβαλβίδων κατηγορίας IP65 (εικ. 3a, 3b και 13a, 13b): Τοποθετήστε το πηνίο στον σωληνίσκο (δυνατότητα περιστροφής 360°) και στη συνέχεια τον αφαίρομενο συνδέτηρα ISO 4400/EN 175101-803A (διάμ. κάλωδου 6-10 mm) που περιορίζεται κατά 90° (3 ακίδες: 2 + γείωση).
- **Έκδοση με βάση τοποθέτησης CNOMO:**  
 Δείτε τις πρόθετες οδηγίες εγκατάστασης που διατίθενται με κάθε πιλοτική βαλβίδα.
- **Γενικές συστάσεις:**  
 Οι ηλεκτρικές συνδέσεις πρέπει να γίνουν από εξειδικευμένο προσωπικό και σύμφωνα με τις κατά τόπους ισχύουσες διατάξεις και κανονισμούς. Προσοχή:
  - Ανάλογα με την τάση, τα ηλεκτρικά εξαρτήματα πρέπει να γειώνονται σύμφωνα με τις κατά τόπους ισχύουσες διατάξεις και κανονισμούς.
  - Οι περισσότερες βαλβίδες διαθέτουν πηνίο σχεδιασμένο για συνεχή λειτουργία. Για να αποτραπεί ο κίνδυνος τραυματισμού, μην αγνοήτε τον ηλεκτρομαγνητικό μηχανισμό, οποίος μπορεί να καιεί πολύ σε κανονικές συνθήκες λειτουργίας. Αν η βαλβίδα έχει εικόλη πρόσβαση, ο εγκαταστάτης πρέπει να εξασφαλίσει προστασία που να μην επιτρέπει τυχαία επαφή με τον ηλεκτρομαγνητικό μηχανισμό.

**ΣΥΝΤΗΡΗΣΗ**  
**⚠** Πριν από κάθε εργασία συντήρησης ή τη θέση σε λειτουργία, διακόψτε την παροχή ρεύματος, αποσυμπίστε και εξερεύνηστε τη βαλβίδα για να αποτραπεί κίνδυνος τραυματισμού ή ζημίας του εξοπλισμού.

Εκδόσεις ATEX: Τηρήστε απαρέκκλιτα όλες τις διαδικασίες που συνιστά η Οδηγία 99/92/ΕΚ και τα συναφή πρότυπα.

- **Καθαρισμός**  
 Η συντήρηση των βαλβίδων εξαρτάται από τις συνθήκες λειτουργίας. Πρέπει να καθαρίζονται σε τακτά χρονικά διαστήματα. Κατά τη συντήρηση, πρέπει να γίνεται έλεγχος των εξαρτημάτων για υπερβολική φθορά. Τα εξαρτήματα πρέπει να καθαρίζονται αν παρατηρηθεί επιβλαβή του κύκλου, ακόμα και αν η πιλοτική πίεση είναι σωστή, ή αν εντοπιστεί ασυνήθιστος θορύβος ή διαρροή.
- **Εκπομπή θορύβου**  
 Η εκπομπή θορύβου εξαρτάται από την εφαρμογή, το μέτρο και τον τύπο του εξοπλισμού που χρησιμοποιείται. Ο ΑΚΡΙΒΗΣ ΠΡΟΣΔΙΟΡΙΣΜΟΣ ΤΗΣ ΣΤΑΘΜΗΣ ΘΟΡΥΒΟΥ ΜΠΟΡΕΙ ΝΑ ΓΙΝΕΙ ΜΟΝΟ ΑΠΟ ΤΟΝ ΧΡΗΣΤΗ ΜΕ ΤΗ ΒΑΛΒΙΔΑ ΤΟΠΟΘΕΤΗΜΕΝΗ ΣΤΟ ΣΥΣΤΗΜΑ.
- **Προληπτική συντήρηση**  
 Φροντίστε τη βαλβίδα τουλάχιστον μία φορά το μήνα για να ελέγξετε τη λειτουργία της.
  - Εάν εμφανιστούν προβλήματα κατά τη συντήρηση ή έχετε αμφιβολίες, παρακαλούμε επικοινωνήστε μαζί μας ή με κάποιο εξουσιοδοτημένο αντιπρόσωπο.
- **Αντιμετώπιση προβλημάτων**  
 - Λανθασμένη πίεση εξόδου: Ελέγξτε την πίεση στην πλευρά εισόδου της βαλβίδας, πρέπει να ανταποκρίνεται στις τιμές που επισημαίνονται στην πινακίδα.
  - Προσοχή: *τηρήστε την ελάχιστη τιμή πιλοτικής πίεσης 2 bar.* Για να αποφευχθεί τραυματισμός ή ζημία στον εξοπλισμό, ελέγξτε αν η βαλβίδα λειτουργεί σωστά πριν την βάλτε πάλι σε λειτουργία.
- **Ανταλλακτικά**  
 Τα πηνία είναι διαθέσιμα ως ανταλλακτικά. Αν χρειαστεί, αντικαταστήστε ολόκληρη τη βαλβίδα.

<b>ASCO™</b>	<b>Návod k instalaci a údržbě</b> Elmg. ventily řady 551, mosazné těleso, nebo řady 551-553, těleso z nerezavějící oceli, 1/4", 1/2" závit nebo uspořádání NAMUR	3/2 NC	<b>CZ</b>
		5/2	

### POPIS SCHVÁLENÍ

Verze zahrnuté do schválení (obr. 1 a 11):  
**Mosazné těleso** (řada 551) nebo **těleso z nerezavějící oceli** (řada 551, 553), monostabilní (vratná pružina) nebo **bistabilní, 3/2 NC** (rozpínač) funkce nebo **5/2, verze izolovaná od okolního prostředí**. Verze s ručním ovládním nebo bez něho.  
 - s otvory L<sup>14</sup> (551) se závitem nebo 1/4" (553) s L<sup>17</sup> pozlaceným konektorem, Max. hloubka portu 11,5 mm. (Nepřipojujte tlakový zdroj k výstupnímu portu 3. Konstrukce „chránící prostředí“ není přizpůsobena pro funkci „distribuce“ nebo použití BEZ funkce. Kontaktujte nás pro funkce dostupné v určitých verzích).

- s uspořádáním NAMUR pro přímou montáž na jednočinný (funkce 3/2 NC) nebo dvojitý (funkce 5/2) pneumatický pohon. Ventil s jednou cívku lze umístěním spodní části uzpůsobit na dva typy ovládní: (obr. 13a, 13b, ref. 1a a 1b)  
 - série 551: dodávané desky s rozhraním 3/2 NC - 5/2,  
 - série 553: dodávané desky s rozhraním 3/2 NC nebo 5/2. **551, max. 1/4" hloubka portu = 11,5 mm. (Nepřipojujte tlakový zdroj k výstupnímu portu 3. Konstrukce „chránící prostředí“ není přizpůsobena pro použití BEZ funkce Kontaktujte nás pro funkce dostupné v určitých verzích).**

Připojte potrubí pro požadované funkce podle této dokumentace a označení otvorů na výrobku.  
 - Zajistěte, aby se do obvodu nedostala žádná cizí látka, aby nedošlo k zablokování funkce ventilu. Omezte na minimum použití těsnící pásky nebo těsnící hmoty.  
 - Ventily jsou určeny pro použití s čistým a suchým vzduchem nebo inertním plynem. Doporučená minimální filtrace: 50 mikronů. Rosný bod kapaliny musí být alespoň -10 °C pod minimální teplotou, které může být kapalina vystavena. Při použití mazacího vzduchu musí být mazivo kompatibilní s použitými elastomery. Přístrojový vzduch odpovídající normě ANSI/ISA S7.3 (1975) převyšuje nezbytné požadavky a je proto pro tyto ventily přijatelnou kapalinou.

**⚠ Všechny výfukové otvory ventilů a pilotů musí být chráněny chráničem z nerezavějící oceli. Připojte chrániče výfuku k portu 3 (3/2 NC) nebo portům 3 – 5 (5/2) ventilů. Při použití venku, nebo při dlouhodobém skladování, nebo při vystavení působení drsného prostředí (prachy, kapaliny a podobně) chrániče musí být použity. Při použití jiného chrániče než toho, který byl dodán s výrobkem, nelze garantovat spolehlivost ventilu.**

- Max. rozsah provozního tlaku:  
 -2 až 10,4 barů  
 -2 až 8 barů (195/LISC)

### OBECNÝ POPIS

Verze ATEX 94/9/EC: Viz „Speciální podmínky pro bezpečné použití“  
 Verze ATEX 94/9/EC: Viz „Speciální podmínky pro bezpečné používání“.

Verze izolované od okolního prostředí: Vnitřní části ventilu jsou izolovány od okolního prostředí, aby byla zajištěna ochrana v agresivních prostředích. Všechny výfukové otvory cívkového ventilu lze připojit k potrubí, což poskytuje lepší ochranu životního prostředí, a zvláště se to doporučuje v citlivých oblastech, např. v čistých provozech a aplikacích ve farmaceutickém nebo potravinářském průmyslu. K výfukovým portům je třeba připojit potrubí nebo armatury, aby byly chráněny vnitřní části cívkového ventilu, je-li použit venku, v drsném prostředí (prachy, kapaliny atd.).

### SPECIÁLNÍ PODMÍNKY PRO BEZPEČNÉ POUŽÍVÁNÍ

ATEX 94/9/EC: Ventil musí být uzemněn (ref. F).  
 Podmínky pro skladování: chráňte před povětrnostními vlivy; teplota skladování: -40 C až +70°C; relativní vlhkost: 95 %  
 Cívkový ventil ponechte v originálním balení, dokud ho nebudete používat. Nesnímejte ochranné kryty z připojovacích otvorů a solenoidních pohonů.  
 Okolní teplota: -40°C až +60°C (+80°C, 551, z nerezové oceli). Maximální teplota kapaliny nesmí převyšovat okolní teplotu.  
**Při skladování v nízkých teplotách musí být cívkové ventily před zvýšením tlaku postupně zahřáty na provozní teplotu.** Cívkové ventily je možné používat v rámci technických charak-

teristik uvedených na typovém štítku. Změny těchto produktů mohou být provedeny pouze po konzultaci s výrobcem nebo jeho představitel. **Tyto solenoidové, cívkové ventily jsou určeny pro použití s filtrovaným vzduchem nebo neutrálním plynem.** Nepřekračujte maximální možný tlak ventilu = 8/10,4 bar. Upozornění: Sledujte minimální tlak pilota 2 bary. Instalaci a údržbu ventilů smí provádět pouze kvalifikované osoby.  
 • Standardní vzduchem ovládané verze s krytím IP65 nebo verze pro použití ve výbušném prostředí vyvolaném plynem, výparů, mlhou nebo prachem podle směrnice ATEX 94/9/EC. (Klasifikace zóny pro tuto verzi je stanovena na typovém štítku ATEX, ref. E2).

E2/bezpečnostní kód: II 2GD IIC X Ta 60°C T85°C (T6).

Shoda se základními požadavky na ochranu zdraví a bezpečnosti je zajištěna shodou s evropskou normou EN 13463-1.  
 • Solenoidové verze ovládané vzduchem osazené solenoidovým pohonem:  
 - utěsněny podle IP65 nebo  
 - certifikovány pro použití ve výbušném prostředí podle směrnice ATEX 94/9/EC

• Verze se solenoidovým pohonem s montážní deskou ASCO, standardně s krytím IP65, nebo pro použití ve výbušném prostředí II 3D IP65 nebo ATEX/IECEx Ex d, m, em, ia.  
 • Verze s piloty s montážní deskou CNOMO E06.05.80 (velikost 30), standardně s krytím IP 65, nebo s namontovanými piloty pro použití ve výbušném prostředí podle ATEX Ex d nebo Ex ia. **Upozornění (piloty CNOMO): Umístění ventilů do zón (ATEX 1999/92/EC) je v první řadě definováno údaji na štítku (ref. E2) na těle každého ventilu.**

E2/bezpečnostní kód: II 2GD IIC X Ta 60°C T85°C (T6).

**Při sestavování výrobku s pilotem podle směrnice ATEX 94/9/EC vezměte v úvahu nejméně příznakové kategorie, maximální pracovní tlak a teplotu.** Shoda se základními požadavky na ochranu zdraví a bezpečnosti je zajištěna shodou s evropskou normou EN 13463-1.

Sestavovací pozice pro piloty a indikované utahovací šrouby musejí být následovány, jak je ukázáno v obrázcích 5/6/7/8/10. U solenoidových pohonů a pilotů podle směrnice ATEX 94/9/EC je třeba přesně dodržovat pokyny k používání uvedené v konkrétním návodu k instalaci dodaném s výrobkem.

### MONTÁŽ

**⚠ Verze ATEX 94/9/EC:** Všechny kovové a vodivé části musí být vždy vzájemně propojeny a uzemněny. Těleso ventilu je uzemněno pomocí upevňovacího šroubu (ref. F). Ventily lze namontovat v libovolné pozici.

Verze s otvory se závitem L<sup>14</sup> 1/4-1/2 (obr. 3a, obr. 3b):  
 Namontujte ventil pomocí dvou šroubů (ref. 1) (nejsoučástí dodávky).

Verze s uspořádáním NAMUR (obr. 13a, 13b):  
 Před namontováním cívkového ventilu na ovládací člen musí být ventil nastaven na požadovanou funkci. (ref. 1a nebo 1b)  
 - Série 551: Abyste umístili desku rozhraní do doporučené funkce 3/2 NC nebo 5/2, vezměte ji a otočte o 180°.  
 - Série 553: Zvolte desku rozhraní odpovídající doporučené funkci 3/2 NC nebo 5/2.  
 - Zkontrolujte, zda je těsnění řádně usazeno (ref. 7).  
 - Namontujte desku rozhraní pod cívkový ventil pomocí 2 dodaných šroubů (ref. 8) a sledujte směr montáže. Zkontrolujte, zda je označení funkce umístěno na vratné straně (polarizační otvor).  
 - Nasadte dva o-kroužky (ref. 9).  
 - V případě potřeby umístěte polarizační pin na ovládací člen. Polarizační otvor o průměru 5 na desce rozhraní 3/2 je A1. Polarizační otvor o průměru 5 na desce rozhraní 5/2 je A2.

### PŘIPOJENÍ VZDUCHU (obr. 3a, 3b, 13a a 13b)

V závislosti na verzi (3/2 NC nebo 5/2) lze použít jeden nebo oba chrániče výstupu z nerezavějící oceli (viz obr. 2).

• Připojení verze s pneumatickým pilotem:  
 G 1/8 nebo NPT 1/8 nebo G 1/4 nebo NPT 1/4.

• Připojení výfuku pilota

<b>ASCO™</b>	<b>Installation and Maintenance Instructions</b> Series 551 solenoid valves, brass body, or series 551-553, stainless steel body, 1/4", 1/2" thread or NAMUR interface	3/2 NC	<b>CZ</b>
		5/2	

Výfukové otvory lze vybrat podle použité verze.

- **Ruční ovládní**  
 V závislosti na verzi se výrobky dodávají s ručním ovládním nebo bez něho pro provoz bez napájení. Ruční ovládní je označeno symbolem (H) na obr. 7, a ref. 10 na obr. 3a, 3b, 13a, 13b.  
 Pulsní typ nebo s ručním ovládním (typ push/turn) označené symbolem (H) na obr. 3a, 3b, 13a a 13b umožňují provoz bez napájení.

**⚠ Před uvedením do provozu se přesvědčte, zda je ruční ovládní vypnuto do polohy 0, abyste zabránili nebezpečí úrazu nebo poškození zařízení.**

• **Přizpůsobení pro externí pilota** (obr. 3a, 3b, 13a a 13b, ref. 6)

• **Obecná doporučení pro připojení vzduchu**  
 Potrubí vhodné podepřete a vyrovnajte, aby nedocházelo k mechanickému namáhání ventilu. Při dotahování nepoužívejte ventil jako páku. Umístěte klíče co nejbližší k bodu připojení. Abyste zabránili poškození zařízení, NEUTAHUJTE PRILIS připojení potrubí.

• **Verze s otvory se závitem 1/4" - 1/2" (obr. 3a, obr. 3b): Připojení cívkového ventilu:**  
 Připojte potrubí podle označení na štítku:  
 - **Funkce 3/2 NC:**  
 Tlakový vstup - otvor 1 (1/4" nebo 1/2" závit). Tlakový výstup - otvor 2.  
 Výfuk - otvor 3 (1/4" nebo 1/2" závit).  
 - **Funkce 5/2:**  
 Tlakový vstup - otvor 1. Tlakový výstup - otvory 2 a 4. Výfuk je veden ventilem do otvoru 3 a 5.

• **Verze s uspořádáním NAMUR (obr. 13a, 13b): Připojení cívkového ventilu:**  
 Připojte potrubí podle označení na štítku:  
 - **Funkce -3/2 NC:**  
 Tlakový vstup - otvor 1 (1/4" nebo 1/2" závit). Tlakový výstup - otvor 2.  
 Výfuk - otvor 3.  
 (mosazné těleso: 1/8; těleso z nerezavějící oceli: 1/4" nebo 1/2" závit).  
 Výfuk z komor vratné pružiny jednočinného aktuátoru je veden cívkovým ventilem do otvoru 3. Toto je doporučeno zajišťující ochranu otvoru 5 (není-li použit). Nepoužívejte těsnění.

- **Funkce 5/2:**  
 Tlakový vstup - otvor 1 (1/4" nebo 1/2" závit).  
 Tlakový výstup - otvory 2 a 4.  
 Výfuk je veden ventilem do otvorů 3 a 5 (mosazné těleso: 1/8; těleso z nerezavějící oceli: 1/4" nebo 1/2" závit).

### Připojení redukci výfuků (mosazné těleso)

Cívkové ventily řady 551 se dodávají dle objednávky s nebo bez miniaturní redukce výfuku 1/8", index M (obr. 13a). Tyto nastavitelné miniaturní redukce výfuku se používají k nastavení provozní rychlosti aktuátoru. Dají se rovněž připojit (1/8" závit) tak, aby shromažďovaly výfukové plyny. Montáž / Seřízení (obr. 3a):  
 Verze 3/2 NC = 1 výfuková redukce se namontuje na otvor 3  
 Verze 5/2 = 2 výfukové redukce se namontují na otvory 3 a 5  
 Vložte šroub (4) na redukci do otvoru a zašroubujte ho až na doraz. Potom jej otočte tak, abyste zvýšili průtok výfukových plynů (ne více než o dvě otáčky, max. průtok získáte po jedné otáčce).  
 Dotáhněte pojistnou matici (4a) 13mm klíčem. Před zvýšením tlaku proveďte hrubé nastavení a po zvýšení tlaku jemně doladění.

### ELEKTRICKÉ ZAPOJENÍ

**Před zahájením zásahu vypněte elektrický proud napájecí komponenty.**

Před zahájením provozu musejí být všechny šroubové spoje dotaženy odpovídajícím utahovacím momentem. Proveďte připojení na Zemi veřej. > 48 V.

• **Verze se solenoidním pohonem s rozhraním ASCO:** Viz další pokyny k instalaci dodané s konkrétním solenoidním pohonem.  
 Solenoidem ovládaný IP65 (obr. 3a, 3b a 13a, 13b): Namontujte cívku na trubičku (otočnou o 360°) a potom na snímatelný konektor ISO 4400/EN 175101-803A (průměr kabelu 6-10 mm) otočný o 90° (3 piny: 2 + zem).

• **Verze s montážní deskou CNOMO:** Viz další pokyny k instalaci dodané s konkrétním pilotním ventilem.

• **Obecná doporučení:**  
 Elektrické zapojení musí provést kvalifikovaná osoba podle platných místních norem a předpisů.  
 Nepřehlédněte:  
 - V závislosti na napětí musí být elektrické komponenty uzemněny podle místních norem a předpisů.  
 Většina ventilů je vybavena cívkami určenými pro nepřetržitý provoz. Nedotýkejte se solenoidního pohonu, který může být za normálních provozních podmínek horký, aby nedošlo k úrazu. Pokud je ventil snadno přístupný, musí se montér chránit před náhodným kontaktem se solenoidním pohonem.

### ÚDRŽBA

**⚠ Před prováděním jakékoli údržby nebo uváděním do provozu ventil vypněte, snižte tlak a odvodněte, abyste zabránili nebezpečí úrazu nebo poškození zařízení. Verze ATEX: Písrně dodržujte všechny postupy doporučené Směrnicí 99/92/EC a přidruženými normami.**

• **Čištění**  
 Údržba ventilů souvisí s provozními podmínkami. Ventily se musí pravidelně čistit. Během servisních prací je třeba zkontrolovat, zda nejsou komponenty nadměrně opotřebené. Komponenty je třeba vyčistit, pokud zpomalujete zpomalování cyklu, dokonce i tehdy, když je v pořádku tlak v pilotu, nebo v případě zjištění neobvyklého zvuku nebo netěsnosti.

• **Emise hluku**  
 Přesné stanovení hladiny hluku může provést pouze uživatel po nainstalování ventilu do systému. Emise hluku závisí na aplikaci, kapalině a typu použitého vybavení.

• **Preventivní údržba**  
 - Ventil použijte alespoň jednou měsíčně, abyste zkontrolovali jeho funkčnost.  
 - Pokud během údržby narazíte na potíže nebo si nebudete jisti, obraťte se na nás nebo na některého z našich autorizovaných zástupců.

• **Odstraňování problémů**  
 - Nesprávný výstupní tlak: Zkontrolujte tlak na vstupní straně ventilu.  
 Tlak musí odpovídat hodnotám uvedeným na typovém štítku.

**Upozornění: Dodržujte minimální hodnotu tlaku pilota 2 bary.** Než uvedete ventil opět do provozu, zkontrolujte, zda funguje správně, abyste zabránili úrazu nebo poškození zařízení.

• **Náhradní díly**  
 Cívky jsou k dispozici jako náhradní díly. V případě potřeby vyměňte celý ventil.

<b>ASCO™</b>	<b>Instrukcje instalacyjne i konserwacyjne</b> Seria 551 zawory solenoidowe, korpus z brązu, lub seria 551-553, korpus ze stali nierdzewnej, gwint 1/4", 1/2" lub interfejs NAMUR	3/2 NC	<b>PL</b>
		5/2	

**OPIS ZATWIERDZENIA**  
**Wersje, których dotyczy zatwierdzenie (rys. 1 oraz 11).**  
 Korpus z brązu (seria 551) lub korpus ze stali nierdzewnej (seria 551-553), monostabilny (zwrot sprężyny) lub dwustabilny 3/2 NC (normalnie zamknięta) funkcja lub 5/2, wersja izolowana od atmosfery zewnętrznej. Wersje z lub bez sterowania ręcznego kasującego nastawienie urządzenia przez regulator automatyczny.  
 - z gwintowanymi 1/4 (551) lub 1/2 (553) portami - 551, z połączeniem gwintowanym L", maks. głębokość portu 11,5 mm. (Nie podłączać zasilania w ciśnienie do portu wyjściowego 3. Konstrukcja "chroniona środowiskowo" nie jest przystosowana do funkcji "dystrybucyjnej" lub wykorzystania BEZ funkcji. Prosimy skontaktować się z nami w sprawie funkcji dostępnych w poszczególnych wersjach).  
 - z interfejsem NAMUR do bezpośredniego montowania do pojedynczego działania (funkcja 3/2 NC) lub podwójnego działania (funkcja 5/2) pneumatycznych urządzeń uruchamiających. Pojedynczy zawór suwakowy można przystosować do dwóch rodzajów sterowania przez odpowiednie ustawienie dolnej części: (rys. 13a, 13b, ref. 1a oraz 1b)  
 - Seria 551: płytka przyłączeniowa 3/2 NC - 5/2  
 - Seria 553: płytka przyłączeniowa 3/2 NC lub 5/2.  
**551, maks. głębokość portu 1/4" = 11,5 mm. (Nie podłączać zasilania w ciśnienie do portu wyjściowego 3. Konstrukcja "chroniona środowiskowo" nie jest przystosowana do wykorzystania BEZ funkcji. Prosimy skontaktować się z nami w sprawie funkcji dostępnych w poszczególnych wersjach).**  
 Podłącz rury w zakresie pozadanych funkcji zgodnie z niniejszą dokumentacją oraz oznaczeniami portów na produkcie.

Upełnij się, że do obwodu nie dostały się żadne obce przedmioty mogące zablockować działanie zaworu. Ogranicz użycie taśmy uszczelniającej lub środka uszczelniającego do minimum.  
 - Zawory te są przeznaczane do użytkowania z czystym i suchym powietrzem lub gazem obojętnym. Zalecana filtracja minimalna: 50 mikronów. Punkt rosy tego płynu musi wynosić przynajmniej -10°C (18°F) poniżej minimalnej temperatury, na której działanie płynu może być wystawiony. W przypadku używania naoliwionego powietrza, smar musi być zgodny z użyłymi elastomerami. Powietrze instrumentalne zgodnie ze standardem ANSI/ISA S7.3 (1975) przewyższające niezbędne wymagania, i stać też, jest dopuszczalnym płynem dla tych zaworów.  
 Wszystkie porty wylotowe zaworów i pilotów muszą być zabezpieczone ochraniaczami wylotów wykonanymi ze stali nierdzewnej. Podłącz zabezpieczenia wydmuchów do portu 3 (3/2 NC) lub portów 3 – 5 (5/2) zaworów. W przypadku używania na zewnątrz, lub przechowywania przez dłuższy okres czasu i/lub w przypadku wystawienia na działanie ostrego otoczenia (kurz, płyny, itd.), należy używać zabezpieczeń wydmuchów. Wiarygodność zaworu nie może być zagwarantowana w przypadku używania innego zabezpieczenia wydmuchu niż ten dostarczony.

Zasięg maksymalnego ciśnienia operującego:  
 - 2 do 10,4 barów  
 - 2 do 8 barów (195/LISC)

**OPIS OGÓLNY**  
**Wersje ATEX 94/9/WE:** Patrz „Specjalne warunki związane z bezpieczeństwem użytkowaniem”  
**Wersje odizolowane od atmosfery:** Wewnętrzne części zaworu są odizolowane od atmosfery zewnętrznej w celu zapewnienia zabezpieczenia w środowiskach agresywnych. Wszystkie porty wydmuchów zaworu szpulowego mają możliwość przyłączenia rur, co zapewnia lepsze zabezpieczenie środowiska. Jest szczególnie rekomendowane w przypadku obszarów delikatnych takich jak czyste pomieszczenia oraz zastosowania w przemyśle farmaceutycznym i przetwórczym żywności. Niezbędne jest podłączenie rur lub instalacji do portów wydmuchów w celu zabezpieczenia części wewnętrznych zaworów szpulowego w momencie użytkowania na zewnątrz lub w środowisku osłim (kurze, płyny, itd.).  
**SPECJALNE WARUNKI ZWIĄZANE Z BEZPIECZNYM UŻYTKOWANIEM**  
 ATEX 94/9/WE: Zawór musi być podłączony do ziemiennicy (odn. F). Wersje przechowywania: produkt musi być chroniony przed niekorzystnym działaniem czynników atmosferycznych; Temperatura przechowywania: -40 C do +70°C; wilgotność względna: 95 %  
 Aż do chwili zamontowania zawór hydrauliczny musi być przechowywany w swoim oryginalnym opakowaniu. Nie wolno zdejmować pokrywy ochronnych z portów podłączeniowych, solenoidu i sterowań.

Temperatura otoczenia: -40°C do +60°C (+80°C, 551, ze stali nierdzewnej).  
 Maksymalna temperatura płynu nie może przekraczać temperatury otoczenia.

Przechowywaniu w niskiej temperaturze zawory suwakowe muszą być stopniowo doprowadzone do temperatury roboczej przed wytworzeniem w nich ciśnienia.  
 Zawory suwakowe są przeznaczane do eksploatacji tylko w zakresie parametrów technicznych podanych na tabliczce znamionowej. Zmiany w budowie produktu można wprowadzić tylko po skonsultowaniu ich z producentem lub jego przedstawicielem. **Telekontrolne zawory suwakowe są przeznaczane do pracy z filtrowanym powietrzem lub gazem obojętnym.** Nie należy przekraczać maksymalnego dopuszczalnego ciśnienia zaworu = 8/10,4 barów. Uwaga: przestrzegać minimalnego ciśnienia pilotowego = 2 bary. Instalacja i konserwacja zaworu musi być przeprowadzana tylko przez wykwalifikowaną personel.  
 • Standardowe wersje pneumatyczne IP65 i wersje do atmosfery wyciekowej (gazy, opary, mgły lub pyły) spełniają wymagania dyrektywy ATEX 94/9/WE. (Klasyfikacja stref dla tej wersji jest podana na tabliczce ATEX, poz. E2).  
 E2/ kod bezpieczeństwa: II 2GD IIC X Ta 60°C T85°C (T6).  
 Zgodność z podstawowymi wymogami dotyczącymi zdrowia i bezpieczeństwa została zapewniona dzięki zgodności z normą europejską EN 13463-1.

Wersje pneumatyczne z elementami operacyjnymi elektrozaworu:  
 - Klasa ochrony IP65 lub  
 - certyfikowane do eksploatacji w atmosferach wybuchowych zgodnie z dyrektywą ATEX 94/9/WE.  
**Wersje z elementami operacyjnymi elektrozaworu i podstawą montażową ASCO**, klasa ochrony IP65 w standardzie, lub przeznaczane do atmosfery wyciekowej II 2D IP65 lub ATEX/IECEx Ex d, m, em, ia.  
**Wersje z pilotami i podstawą montażową CNOMO E06.05.80 (rozmiar 30)**, klasa ochrony IP 65 w standardzie, lub z montażem pilotów do atmosfery wyciekowej zgodnie z ATEX Ex d lub Ex ia. Uwaga (piloty CNOMO): Możliwość stosowania zaworów w strefach (ATEX 1999/92/EC) jest podana w pierwszym wierszu tabliczki (poz. E2) na korpusie każdego zaworu.  
 E2/ kod bezpieczeństwa: II 2GD IIC X Ta 60°C T85°C (T6).  
 W przypadku montażu tego produktu do pilota zgodnie z ATEX 94/9/WE należy przyjąć najniższą kategorię oraz maksymalne ciśnienie robocze temperaturę. Zgodność podstawowymi wymogami dotyczącymi zdrowia i bezpieczeństwa została zapewniona dzięki zgodności z normami europejskimi EN 13463-1.

Pozycja montażowa dla pilotów została pokazana na rysunkach 5/6/7/8/10; należy przestrzegać podanych momentów dokręcania.  
**W przypadku elementów operacyjnych elektrozaworu i pilotów zgodnych z ATEX 94/9/WE należy ściśle przestrzegać instrukcji eksploatacji podanych w określonej instrukcji instalacji dołączonej do produktu.**  
**MONTAŻ**  
 Wersje ATEX 94/9/WE: Upełnij się, że wszystkie części metalowe lub przewodzące są zawsze połączone wzajemnie oraz połączone do ziemiennicy. Korpus zaworu jest podłączony do ziemiennicy przy pomocy rury mocującej (ref. F).  
 Zawory mogą być montowane w każdej pozycji.  
**Gwintowane wersje portu 1/4-1/2** (rys. 3a, rys. 3b): Zamontuj zawór przy użyciu dwóch śrub (ref. 1) (nie dostarczona).  
**Wersje z interfejsem NAMUR** (rys. 13a, 13b): Przed zamontowaniem zaworu hydraulicznego na silnikowi należy go ustawić na żadaną funkcję. (referencja 1a lub 1b)  
 - Seria 551: Obrócić płytkę przyłączeniową o 180°, aby ustawić ją w położeniu zalecanym funkcji 3/2 NC lub 5/2.  
 - Seria 553: Wybrać płytkę przyłączeniową odpowiadającą zalecanej funkcji 3/2 NC lub 5/2.  
 - Upełnij się, że uszczelka jest właściwie umieszczonej (ref. 7).  
 - Zamontuj płytę interfejsową pod zaworem szpulowym za pomocą 2 dostarczonych śrub (ref. 8), przestrzegaj kierunku montowania. Upełnij się, że wskaźnikowa funkcja umieszczona jest na stronie zwrotnej (gniazdo polaryzujące).  
 - Zainstaluj dwa pierścienie o przekroju okrągłym (ref. 9).  
 - Umieść bolec polaryzujący na urządzeniu uruchamiającym, jeśli okazy się to niezbędne:  
 Gniazdo polaryzujące Ø 5 na płycie interfejsowej 3/2 znajduje się w A1.  
 polaryzujące Ø 5 na płycie interfejsowej 5/2 znajduje się w A2.

**POŁĄCZENIE PNEUMATYCZNE (rys. 3a, 3b, 13a oraz 13b)**  
 W zależności od wersji (3/2 NC lub 5/2), można użyć jedno lub dwa zabezpieczenia wylotu wykonane ze stali nierdzewnej

<b>ASCO™</b>	<b>Instrukcje instalacyjne i konserwacyjne</b> Seria 551 zawory solenoidowe, korpus z brązu, lub seria 551-553, korpus ze stali nierdzewnej, gwint 1/4", 1/2" lub interfejs NAMUR	3/2 NC	<b>PL</b>
		5/2	

(patrz rys. 2).  
 • Podłączenie wersji z pneumatycznym pilotem: G 1/8 lub NPT 1/8 lub G 1/4 lub NPT 1/4.  
 • Podłączenie wydmuchów pilota  
 Wydmuchy mogą być zbierane zgodnie z użytą wersją.  
 • Sterowanie ręczne kasujące nastawienie urządzenia przez regulator automatyczny  
 W zależności od wersji, produkty dostarczane są z lub bez sterowania ręcznego kasującego nastawienie urządzenia przez regulator automatyczny w celu obsługi bez prądu. Sterowanie ręczne kasujące nastawienie urządzenia przez regulator automatyczny oznaczone jest symbolem ( ) na rys. 7, i referencja 10 na rys. 3a, 3b, 13a, 13b.  
 Sterowanie ręczne kasujące nastawienie urządzenia przez regulator automatyczny typu impulsowego lub wstrzymanego (typ nacisnij/skręć) wskazane symbolem ( ) na rys. 3a, 3b, 13a oraz 13b pozwala na obsługę bez mocy (prądu).

**Przed uruchamianiem, upewnij się, że sterowanie ręczne kasujące nastawienie urządzenia przez regulator automatyczny ustawiony jest w pozycji odłączającej „0” w celu zapobiegania przed ryzykiem zranienia osób lub uszkodzenia sprzętu.**  
 • Przystosowanie do zewnętrznego zasilania pilota (rys. 3a, 3b, 13a et 13b, ref. 6).  
 • Ogólne zalecenia w zakresie połączenia pneumatycznego  
 Zabezpiecz we właściwy sposób i wyrównaj (ustaw w szeregu) rury celem zabezpieczenia przed mechanicznym obciążeniem na zaworze. W momencie dokręcania, nie używaj zaworu jako dźwigni; umieść klucze na tyle na ile jest to możliwe przy punkcie złączenia. Aby uniknąć uszkodzenia sprzętu, NIE ZAKRECAJ NADMIERNIE połączeń rurowych.  
 • Gwintowane wersje portu 1/4 - 1/2 (rys. 3a, rys. 3b):  
 Podłączenie zaworu szpulowego:  
 Podłącz rury, tak, jak zostało to wskazane na etykietce:  
 - funkcja 3/2 NC:  
 Wylot ciśnienia przy porcie 1 (gwint 1/4" lub 1/2"). Wylot ciśnienia przy porcie 2.  
 Wylot przy porcie 3 (gwint 1/4" lub 1/2").  
 - funkcja 5/2:  
 Wylot ciśnienia przy porcie 1. Wyloty ciśnienia przy porcie 2 i 4. Wydmuchy są prowadzone przez zawór do portów 3 i 5.

**Wersje z interfejsem NAMUR (rys. 13a, 13b):**  
**Podłączenie zaworu szpulowego:**  
 Podłącz rury, tak, jak zostało to wskazane na etykietce:  
 - funkcja 3/2 NC:  
 Wylot ciśnienia przy porcie 1 (gwint 1/4" lub 1/2"). Wylot ciśnienia przy porcie 2.  
 Wylot przy porcie 3.  
 (korpus z brązu: 1/8; korpus ze stali nierdzewnej: gwint 1/4" lub 1/2").  
 Wylot ze zwrotnych komór sprężynowych działającego pojedynczo urządzenia uruchamiającego jest prowadzony poprzez zawór szpulowy do portu 3. Zaleca się ochronę portu 5 (w przypadku, gdy nie jest używany). Nie uszczelniaj go.  
 - funkcja 5/2:  
 Wylot ciśnienia przy porcie 1 (gwint 1/4" lub 1/2"). Wylot ciśnienia przy portach 2 i 4.  
 Wyloty są prowadzone przez zawór do portów 3 i 5.  
 (korpus z brązu: 1/8; korpus ze stali nierdzewnej: gwint 1/4" lub 1/2").  
**Podłączenie reduktorów wylotu (korpus z brązu)**  
 Zawory szpulowe sri 551 są dostarczane zgodnie z zamówieniem razem z lub bez małych 1/8" reduktorów wydmuchu, sufiks M (rys. 13a). Te możliwe do regulacji mini reduktory wydmuchu używane są do regulowania szybkości działania urządzenia uruchamiającego. Mogą być one podłączone także (1/8 gwint) w celu zbierania wydmuchów.  
 Montaż / Regulacja (rys. 3a):  
 Wersja 3/2 NC = 1 reduktor wydmuchu dopasowany do portu 3  
 Wersja 5/2 NC = 2 reduktory wydmuchu dopasowane do portów 3 i 5  
 Umieść śrubę (4) na reduktorze w otworze i dokręć ją; następnie wykręć aby zwiększyć przepływ wydmuchów ( **nigdy nie wykonuj więcej niż dwa obroty**, maksymalny przepływ uzyskany przy jednym obrocie).  
 Dokręć przeciwną śrubę (4a) za pomocą 13 mm klucza.  
 Dokończ pobieżnej regulacji przed utrzymaniem zwiększonego ciśnienia a następnie wykonaj dokładną regulację.

**PODŁĄCZENIE ELEKTRYCZNE**  
**Przed przystąpieniem do jakichkolwiek czynności należy odłączyć prąd od komponentów.**  
**Przed rozpoczęciem eksploatacji dokręć wszystkie zaciski śrubowe odpowiednim momentem.**  
 Dodać połączenia do ziemi dla wersji > 48 V.

Wersje z solenoidowymi operatorami z interfejsem ASCO: Patrz dodatkowe instrukcje instalacyjne dostarczone z każdym operatorem solenoidowym.  
 Operator solenoidowy ze wskaźnikiem IP65 (rys. 3a, 3b oraz 13a, 13b): Zamontuj cewkę na rurze (możliwa do obracania w zakresie 360°) a następnie możliwy do usunięcia łącznik ISO 4400/EN 175101-803A (średnica kabla 6 - 10 mm) możliwy do obracania w zakresie 90° (3 kołki: 2 + uziemienie).

Wersje z płytką mocującą CNOMO: Patrz dodatkowe instrukcje instalacyjne dostarczone z każdym zaworem pilotowym.

Ogólne zalecenia:  
 Podłączenia elektryczne muszą być wykonane przez wykwalifikowaną personel i zgodnie z mającymi zastosowanie lokalnymi standardami i przepisami.  
 Prosimy o zwrócenie uwagi:  
 - W zależności od napięcia, komponenty elektryczne muszą być uziemione zgodnie z lokalnymi standardami i przepisami.  
 Większość zaworów jest wyposażona w cewki w celu zapewnienia ciągłej pracy. Aby zapobiec ryzyku zranienia osób, nie należy dotykać solenoidowego operatora, który to może nagrzać się w trakcie normalnych warunków pracy. Jeśli zawór jest łatwo dostępny, instalator musi zapewnić zabezpieczenie przed przypadkowymi kontaktami z operatorem solenoidowym.

**KONSERWACJA**  
**Przed wykonaniem jakichkolwiek prac konserwacyjnych lub uruchamianiem należy odłączyć zasilanie, zmniejszyć ciśnienie i wywietrzyć zawór w celu zapobiegania ryzyku zranienia osób lub uszkodzenia sprzętu.**  
**Wersje ATEX: Postępuj ściśle zgodnie ze wszystkimi procedurami rekomendowanymi przez Dyrektywę 99/92/WE i związane standardy/normy.**

**Czyszczenie**  
 Konserwacja zaworów jest zależna od warunków pracy urządzenia. Muszą być one czyszczone w regularnych przerwach. Podczas serwisowania, części składowe muszą być sprawdane pod względem nadmiernego zużycia. Części składowe muszą być czyszczone w momencie zauważenia zwolnienia procesu, nawet wtedy, gdy ciśnienie pilota jest właściwe, lub w przypadku wykrycia niezwykłego hałasu albo przecieku.

**Emisja dźwięku**  
 Dokładne ustalenie poziomu dźwięku może być przeprowadzone tylko przez użytkownika mającego zawór zainstalowany w swoim systemie. Emisja dźwięku zależy od zastosowania, płynu oraz rodzaju użytego sprzętu.

**Konserwacja zapobiegawcza**  
 - Uruchamiaj zawór przynajmniej raz na miesiąc, w celu sprawdzenia jego działania.  
 - W przypadku problemów w trakcie konserwacji, lub w razie jakichkolwiek wątpliwości, prosimy o skontaktowanie się z nami lub z jednym z naszych urzędów zony przedstawicieli.

**Rozwiązywanie problemów**  
 - Niewłaściwe ciśnienie wyjściowe: Sprawdź ciśnienie po stronie zasilającej zaworu; musi ono odpowiadać wartościom wskazanym na płycie znamionowej.  
 Uwaga: Przestrzegaj minimalnego ciśnienia pilota o wartości 2 barów. Aby uniknąć zranienia osób lub uszkodzenia sprzętu, sprawdź, czy zawór działa w sposób prawidłowy zanim ponownie go uruchomisz do działania.

**Części zamienne**  
 Cewki dostępne są w ramach części zamiennych. Jeśli jest to niezbędne, należy wymienić cały zawór.



<b>ASCO®</b>	<b>Инструкция по установке и обслуживанию</b> Электромагнитные клапаны 551 серии, латунный корпус, или серии 551-553, корпус из нержавеющей стали, 1/4 дюйма, резьба 1/2 дюйма или интерфейс NAMUR	3/2 NC	RU
		5/2 - 5/3	

#### ОПИСАНИЕ СЕРТИФИКАЦИИ

Варианты, подпадающие под сертификацию (рис. 1 и 11):  
 Корпус из латуни (серия 551) или из нержавеющей стали (серия 551, 553), с одним (с пружинным возвратом) или двумя устойчивыми состояниями, функция 3/2 NC (нормально закрытый) или 5/2, вариант с изоляцией от воздействия внешней окружающей среды. Варианты с или без ручной коррекции.  
 - с резьбовыми отверстиями 1/4 (551) или 1/2 (553) - 551, с резьбовым соединением 1/4 дюйма, макс. глубина отверстия – 11,5 мм. - (Не подключайте источник давления к выпускному отверстию 3. Конструкцией с защитой окружающей среды не предусмотрена функция раздачи использования БЕЗ функций. Чтобы получить функции, пригодные для работы с определенными версиями, свяжитесь с нами).  
 - с интерфейсом NAMUR для непосредственной установки на пневматический привод простого (функция 3/2 NC) или двойного действия (функция 5/2). Один золотниковый клапан может быть адаптирован для использования с двумя видами управления путем изменения положения нижней части: (рис. 13а, 13б, см. 1а и 1б)  
 - серия 551: идущей в комплекте поставки пластины интерфейса 3/2 НЗ – 5/2  
 - серия 553: идущей в комплекте поставки пластины интерфейса 3/2 НЗ или 5/2.

551, макс. глубина отверстия 1/4 дюйма составляет 11,5 мм. (Не подключайте источник давления к выпускному отверстию 3. Конструкцией с защитой окружающей среды не предусмотрена использование БЕЗ функций. Чтобы получить функции, пригодные для работы с определенными версиями, свяжитесь с нами).  
 Подсоедините трубки для требуемых функций в соответствии с данной документацией и маркировкой отверстий на продукте.

- Возникновение блокировки клапана в контуре не должно повлечь посторонние предметы. Необходимо свести к минимуму использование изоляционной ленты и изоляционных веществ.  
 - Данные клапаны предназначены для использования с чистым и сухим воздухом либо инертным газом. Рекомендуемый минимальный уровень фильтрации – 50 микрон. Точка росы используемой жидкости должна быть не менее –10°C (18°F) ниже минимальной температуры, при которой может быть использована жидкость. При использовании воздушно-масляной смеси смазка должна быть совместима с используемыми эластомерами. Приборный воздух, соответствующий стандарту ANSI/ISA S 7.1 (1975), превосходит предъявляемые требования и поэтому может использоваться с данными клапанами.

**⚠** Все выпускные отверстия клапанов в вспомогательных клапанов должны иметь предохранители от выхлопных газов из нержавеющей стали. Подсоедините эти предохранители от выхлопных газов к отверстию 3 (3/2 NC) или отверстиям 3 – 5 (5/2) клапанов. Предохранители от выхлопных газов должны применяться при необходимости наружного использования или при хранении в течение продолжительного времени и/или при работе в агрессивных средах (например, пыль, жидкость). При использовании других предохранителей от выхлопных газов надежность клапанов не гарантируется.  
 - Макс. рабочий диапазон давлений:  
 от -2 до 10,4 бар  
 от -2 до 8 бар (195/LISIC)

#### ОБЩЕЕ ОПИСАНИЕ

Варианты ATEX 94/9/EC: См. раздел "Особые условия по безопасной эксплуатации".  
 Варианты с изоляцией от окружающей среды: Для обеспечения защиты в агрессивных средах внутренняя часть клапана имеет изоляцию от воздействия внешней окружающей среды. Ко всем выпускным отверстиям золотникового клапана можно подсоединять трубки, что обеспечивает лучшую защиту окружающей среды и рекомендуется для использования в стерильных комнатах и устройствах в фармацевтической и перерабатывающей промышленности. При использовании во внешней или агрессивной среде (например, пыль, жидкость) для защиты внутренних частей золотникового клапана к выпускным отверстиям следует подсоединять фитинги или трубки.

#### ОСОБЫЕ УСЛОВИЯ БЕЗОПАСНОГО ИСПОЛЬЗОВАНИЯ

ATEX 94/9/EC: Клапан должен быть аземлен (см. F).  
 Условия хранения: не подвергать атмосферным воздействиям, хранить при температуре: 40°C до +70°C; и относительной влажности: 95%  
 Если золотниковые клапаны не используются, они должны храниться в оригинальной упаковке. Нельзя удалять защитные покрытия с отверстий соединений и электромагнитных управляющих устройств.  
 Температура окружающей среды: -40°C до +60°C (+80°C, 551, из нержавеющей стали).  
 Максимальная температура жидкости не должна превышать температуру

окружающей среды.  
 После хранения при низких температурах и до повышения давления золотниковые клапаны следует постепенно нагреть до комнатной температуры.

Золотниковые клапаны предназначены для использования только в рамках технических характеристик, указанных на паспортной табличке. Внесение изменений в конструкцию оборудования допускается только после консультации с производителем или его представителем. Данные электромагнитные золотниковые клапаны предназначены для работы с использованием отфильтрованного воздуха или нейтрального газа. Не превышайте максимальное разрешенное давление клапана в 10,4 бар (или 8 бар для вспомогательного клапана Piezotonic в соответствии со стандартом ATEX Ex ia). Внимание! Минимальное давление вспомогательного клапана составляет 2 бар. Установка и обслуживание клапана должны производиться только квалифицированным персоналом.

• **Стандартные пневматические варианты** или варианты, предназначенные для использования в таких взрывоопасных средах, как газы, испарения, аэрозоли или пыль, класса IP65 в соответствии с директивой ATEX 94/9/EC. (Зона классификации для этого варианта указана на этикетке ATEX, см. E2).  
 Норма безопасности E2: II 2GD IIC X Ta 60°C T85°C (T6).  
 Выполнение Важнейших требований по охране труда и технике безопасности осуществляется благодаря соответствию Европейским стандартам EN 13463-1.

• **Электромагнитные варианты с управляющими устройствами** класса IP65 или для использования во взрывоопасных средах в соответствии с директивой ATEX 94/9/EC.

• **Варианты с управляющими устройствами с монтажной подушкой** ASCO, класса IP65 в качестве стандартного, или для использования во взрывоопасных средах II 3D IP65 или ATEX Ex d, m, em, ia.

• **Варианты со вспомогательными клапанами с монтажными подушками** CNOMO E06.05.80 (размер 3D), класса IP65 в качестве стандартного, или установка вспомогательных клапанов для использования во взрывоопасных средах в соответствии с ATEX Ex d или Ex ia. **Внимание!** (вспомогательные клапаны CNOMO): Классификация зоны (ATEX 1999/92/EC) определяется главным образом указаниями на паспортной табличке, рис. 10 и 20 (см. E2), расположенной на корпусе клапана. Норма безопасности в соответствии с директивой ATEX 94/9/EC: III 2GD IIC X Ta 60°C T85°C (T6)  
 При установке этого продукта на вспомогательный клапан согласно ATEX 94/9/EC во внимание должны приниматься наименее подходящая категория и температура. Выполнение Важнейших требований по охране труда и технике безопасности осуществляется благодаря соответствию Европейским стандартам EN 13463-1. Необходимо соблюдать положение установки вспомогательных клапанов, как показано на рис. 5/6/7/8/10, а также указанные моменты затяжки.  
**Необходимо неукоснительно соблюдать указания по использованию электромагнитных управляющих устройств и вспомогательных клапанов согласно ATEX 94/9/EC, приведенных в соответствующих указаниях по установке, поставляемых с продуктом.**

#### СБОРКА

**⚠** **Варианты ATEX 94/9/EC:** Убедитесь, что все металлические или токопроводящие части соединены между собой и замкнуты на землю. Корпус клапана имеет соединение с массой с помощью крепежного винта (см. F). Клапаны могут устанавливаться в любом положении.

**Варианты с резьбовыми отверстиями 1/4-1/2** (рис. 3а, рис. 3б):  
 Установите клапан с помощью двух винтов (см. 1) (не входят в комплект).

**Варианты с интерфейсом NAMUR** (рис. 13а, 13б): Перед установкой золотникового клапана на привод ему необходимо присвоить требуемую функцию. (см. 1а или 1б)  
 - Серия 551: Возьмите пластину интерфейса и поверните ее на 180°, чтобы поместить ее в рекомендуемом положении 3/2 НЗ или 5/2.

- Серия 553: Выберите пластину интерфейса, соответствующую рекомендуемому положению 3/2 НЗ или 5/2.  
 - Правильно установите пломбу (см. 7).  
 - Установите пластину интерфейса под золотниковым клапаном с помощью 2 винтов, входящих в комплект (см. 8) с соблюдением направления установки. Индикация функции должна находиться на обратной стороне (поляризирующий желоб).  
 - Установите два уплотнительных кольца (см. 9).  
 - При необходимости поместите на привод поляризирующий контакт:

<b>ASCO®</b>	<b>Инструкция по установке и обслуживанию</b> Электромагнитные клапаны 551 серии, латунный корпус, или серии 551-553, корпус из нержавеющей стали, 1/4 дюйма, резьба 1/2 дюйма или интерфейс NAMUR	3/2 NC	RU
		5/2 - 5/3	

Поляризирующий желоб Ø 5 на пластине интерфейса 3/2 расположен на A1. Поляризирующий желоб Ø 5 на пластине интерфейса 5/2 расположен на A2.

#### ПНЕВМАТИЧЕСКОЕ СОЕДИНЕНИЕ (рис. 3а, 3б, 13а и 13б)

В зависимости от версии (3/2 NC или 5/2) может использоваться один или два предохранителя от выхлопных газов из нержавеющей стали (см. рис. 2).

- **Подсоединение варианта пневматического вспомогательного клапана:**  
G 1/8 или NPT 1/8 или G 1/4 или NPT 1/4.
- **Подсоединение выхлопных газов вспомогательного клапана**  
Выхлопные газы могут собираться в зависимости от используемой версии.
- **Ручная коррекция**  
В зависимости от версии клапаны поставляются с или без ручной коррекции для работы без питания. Ручная коррекция обозначена символом (H) на рис. 7 на рис. 3а, 3б, 13а, 13б. При наличии ручной коррекции импульсного типа или непрерывного типа (тип "push/tum"), обозначенной символом (H) на рис. 3а, 3б, 13а и 13б, можно работать без питания.

**⚠** **Перед запуском оборудования во избежание получения телесных повреждений и поломки оборудования необходимо отключить ручную корректировку (положение "0").**

• **Адаптация для использования внешнего вспомогательного клапана** (рис. 3а, 3б, 13а и 13б, см. 6)

• **Общие указания по пневматическим соединениям**  
Во избежание механических деформаций клапана поддерживайте и регулируйте трубки должным образом. При затягивании клапан не должен испытываться в качестве рычага – располагайте гаечный ключ как можно ближе к точке соединения. Во избежание повреждения оборудования НЕ ЗАТЯГИВАЙТЕ ЧРЕЗМЕРНО соединения трубок.

• **Варианты с резьбовыми отверстиями 1/4 - 1/2 (рис. 3а, рис. 3б):**  
**Подсоединение золотникового клапана:**  
 Подсоедините трубки согласно указаниям на этикетке:  
 - Функция 3/2 NC:  
 Впуск давления в отверстие 1 с резьбой 1/4 или 1/2 дюйма. Выхпуск давления в отверстие 2. Выхлопные газы в отверстие 3 с резьбой 1/4 или 1/2 дюйма.  
 - Функция 5/2:  
 Впуск давления в отверстие 1. Выхпуск давления в отверстиях 2 и 4. Выхлопные газы направляются через клапан к отверстиям 3 и 5.

• **Варианты с интерфейсом NAMUR (рис. 13а, 13б):**  
**Подсоединение золотникового клапана:**  
 Подсоедините трубки согласно указаниям на этикетке:

- **Функция 3/2 NC:**  
 Впуск давления в отверстие 1 с резьбой 1/4 или 1/2 дюйма. Выхпуск давления в отверстие 2. Выхлопные газы в отверстие 3 (латунный корпус; резьба 1/8 дюйма; корпус из нерж. стали: резьба 1/4 или 1/2 дюйма).  
 Выхлопные газы из камер с пружинным возвратом привода простого действия направляются через золотниковый клапан в отверстие 3. Рекомендуется использовать защиту отверстия 5 (при ее отсутствии).  
**Не пломбировать.**

- **Функция 5/2:**  
 Впуск давления в отверстие 1 с резьбой 1/4 или 1/2 дюйма. Выхпуск давления в отверстиях 2 и 4.  
 Выхлопные газы направляются через клапан к отверстиям 3 и 5 (латунный корпус; резьба 1/8 дюйма; корпус из нерж. стали: резьба 1/4 или 1/2 дюйма).

**Подсоединение редукторов выхлопных газов (латунный корпус)**  
 Золотниковые клапаны серии 551 поставляются по заказу с или без редукторов выхлопных газов небольшого размера с резьбой 1/8 дюйма, суфффикс M (рис. 13а).  
 Эти небольшие настраиваемые редукторы выхлопных газов используются для регулировки рабочей скорости привода. Они могут также подсоединяться (резьба 1/8) для сбора выхлопных газов.  
**Сборка/регулировка (рис. 3а):**  
 Вариант 3/2 NC = 1 редуктор выхлопных газов, подключаемый к отверстию 3  
 Вариант 5/2 = 2 редуктора выхлопных газов, подключаемых к отверстию

ям 3 и 5  
 Вставьте винт (4) на редукторе в отверстие и заверните его до упора; затем выкрутите его для увеличения потока выхлопных газов (не более двух поворотов, максимальный поток достигается при одном повороте).  
 Заверните контргайку (4а) гаечным ключом на 13 мм.  
 Перед подачей давления выполните грубую регулировку, а после подачи – тонкую регулировку.

#### ЭЛЕКТРИЧЕСКИЕ СОЕДИНЕНИЯ

**Перед выполнением любых работ выключите электропитание, чтобы обесточить компоненты.**  
 Все винтовые клеммы должны быть затянуты с соответствующим моментом до операции.  
 Выполнив подключение к земле для версий > 48 V.

• **Варианты с управляющими устройствами с интерфейсом ASCO:**  
 См. дополнительные инструкции по установке, поставляемые с управляющими устройствами.  
 Управляющее устройство класса IP65 (рис. 3а, 3б и 13а, 13б): Закрепите катушку на трубе (с углом поворота 360°), а затем съемный соединитель ISO 4400/EN 175101-803A (диаметр кабеля 6-10 мм) с углом поворота 90° (3 контакта: 2 + земля).

• **Вариант с монтажной подушкой CNOMO:** См. дополнительные инструкции по установке, поставляемые со вспомогательными клапанами.

• **Общие рекомендации:**  
 Электрические соединения должны выполняться квалифицированным персоналом в соответствии с применимыми местными стандартами и законодательными требованиями.  
**Внимание!**  
 - В зависимости от напряжения электрические компоненты должны заземляться в соответствии с местными стандартами и законодательными требованиями.  
 Большинство клапанов снабжены катушками, предназначенными для длительного режима работы. Во избежание травм не прикасайтесь к электромагнитному управляющему устройству, которое может нагреваться в процессе нормальной эксплуатации. Если клапан находится в легкодоступном месте, установщик должен обеспечить защиту от случайного контакта с электромагнитным управляющим устройством.

#### ОБСЛУЖИВАНИЕ

**⚠** **Перед любыми работами по обслуживанию или вводу в эксплуатацию во избежание травм или порчи оборудования отключите питание, снизьте давление и откройте клапан.**

**Варианты ATEX: Неукоснительно соблюдайте все процедуры, рекомендованные директивой 99/92/EC и сопутствующими стандартами.**

• **Очистка**  
 Обслуживание клапанов зависит от рабочего режима. Их необходимо регулярно очищать. Во время обслуживания необходимо проверять компоненты на наличие чрезмерного износа. Компоненты подлежат очистке при обнаружении замедления цикла, даже если давление вспомогательного клапана соответствует техническим требованиям, или при обнаружении какого-либо необычного шума или протекания.

• **Излучение звука**  
 Точное определение уровня звука может выполняться только тем пользователем, который установил в своей системе клапан. Излучение звука зависит от устройства, жидкости и типа используемого оборудования.

• **Профилактическое обслуживание**  
 - Для проверки работоспособности клапана используйте его не реже одного раза в месяц.  
 - В случае возникновения проблем во время обслуживания, а также при наличии сомнений обратитесь к нам или к официальному представителю.

• **Устранение неисправностей**  
 - Неверное давление на впуске: Проверьте давление на стороне подачи клапана. Оно должно соответствовать значениям, приведенным на паспортной табличке.

**Внимание! Минимальное давление вспомогательного клапана составляет 2 бар.**  
 Во избежание травм или порчи оборудования перед использованием клапанов проверьте их правильное функционирование.

• **Запасные части**  
 Катушки могут поставляться в качестве запасных частей. При необходимости замените клапан целиком.



<b>ASCO</b>	CONNECTION	<b>GB</b>	RACCORDAMENTO	<b>FR</b>	ANSCHLUSS	<b>DE</b>
	RACORDAJE	<b>ES</b>	COLLEGAMENTO	<b>IT</b>	AANSLUITING	<b>NL</b>
	TILKOBLING	<b>NO</b>	ANSLUTNING	<b>SE</b>	TOIMINNAN	<b>FI</b>
	TILSLUGNING	<b>DK</b>	LIGAÇÃO	<b>PT</b>	ΣΥΝΔΕΣΗ ΑΝΑΛΟΓΑ ΜΕ ΤΗ	<b>GR</b>
	PRIPOJENI	<b>CZ</b>	PODŁĄCZENIE	<b>PL</b>	CSATLAKOZTATÁS	<b>HU</b>

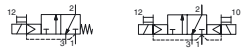


fig. 1



**3/2 NC**

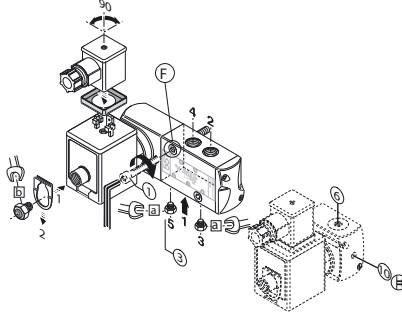
**551**  
(1/4)

fig. 3a



**BRASS**

**5/2**



Rep.	N.m	Inch.Pounds
a (1/2)	15 ± 2	133 ± 18
a (1/4)	10 ± 2	88 ± 18
b	10 ± 2	88 ± 18

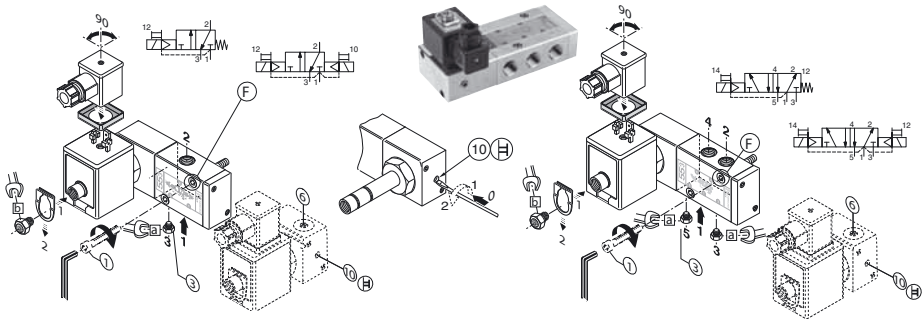
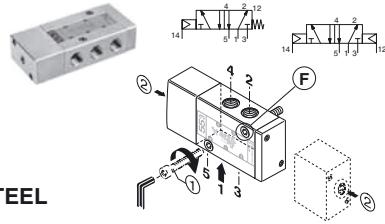
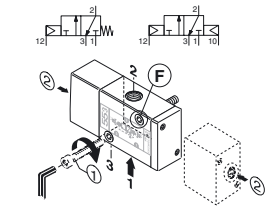
**3/2 NC**

**551 - 553**  
(1/4) (1/2)

**5/2 + 5/3**  
(551)

fig. 3b

**STAINLESS STEEL**



<b>ASCO</b>	CONNECTION	<b>GB</b>	RACCORDAMENTO	<b>FR</b>	ANSCHLUSS	<b>DE</b>
	RACORDAJE	<b>ES</b>	COLLEGAMENTO	<b>IT</b>	AANSLUITING	<b>NL</b>
	TILKOBLING	<b>NO</b>	ANSLUTNING	<b>SE</b>	TOIMINNAN	<b>FI</b>
	TILSLUGNING	<b>DK</b>	LIGAÇÃO	<b>PT</b>	ΣΥΝΔΕΣΗ ΑΝΑΛΟΓΑ ΜΕ ΤΗ	<b>GR</b>
	PRIPOJENI	<b>CZ</b>	PODŁĄCZENIE	<b>PL</b>	CSATLAKOZTATÁS	<b>HU</b>

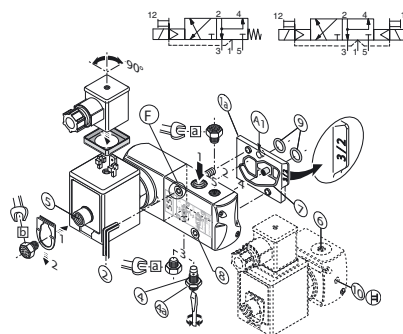
**NAMUR versions / Versions NAMUR / NAMUR-Ausführungen / Versiones NAMUR / versioni NAMUR / NAMUR-versies / NAMUR-versjoner / NAMUR-utföranden / NAMUR-versiot / NAMUR versjoner / Versões NAMUR / Εκδόσεις NAMUR / Verze s rozhraním NAMUR / Wersje NAMUR / NAMUR-változatok**

**3/2 NC**

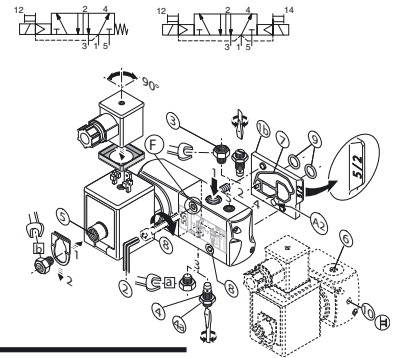
**551**  
(1/4)

fig. 13a

**BRASS**



**5/2**

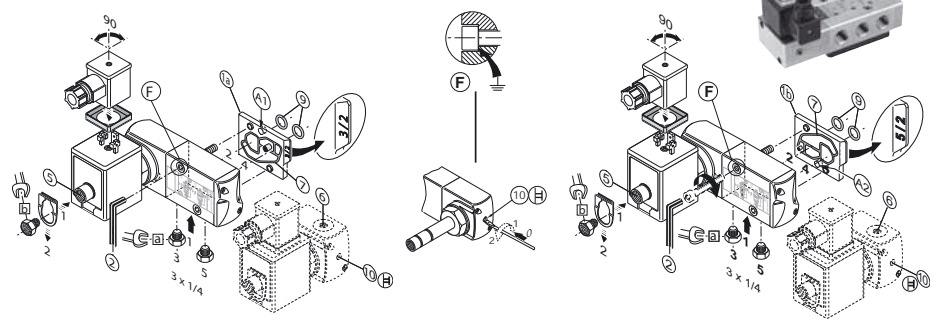
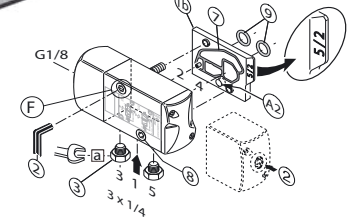
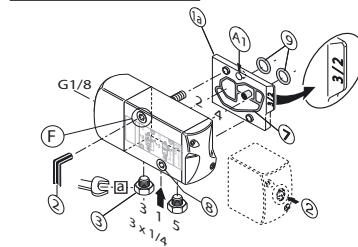


Rep.	N.m	Inch.Pounds
a (1/2)	15 ± 2	133 ± 18
a (1/4)	10 ± 2	88 ± 18
b	10 ± 2	88 ± 18

**551 - 553**  
(1/4) (1/2)

fig. 13b

**STAINLESS STEEL**



<b>ASCO</b>	CONNECTION	<b>GB</b>	RACCORDAMENTO	<b>FR</b>	ANSCHLUSS	<b>DE</b>
	RACORDAJE	<b>ES</b>	COLLEGAMENTO	<b>IT</b>	AANSLUITING	<b>NL</b>
	ANSLUTNING	<b>SE</b>	TILKOBLING	<b>NO</b>	LIITÄNTÄ	<b>FI</b>
	FORBINDELSE	<b>DK</b>	LIGAÇÃO	<b>PT</b>	ΣΥΝΔΕΣΗ	<b>GR</b>
	PŘIPOJENÍ	<b>CZ</b>	PODŁĄCZENIE	<b>PL</b>	CSATLAKOZTATÁS	<b>HU</b>
	ПОДКЛЮЧЕНИЕ	<b>RU</b>				

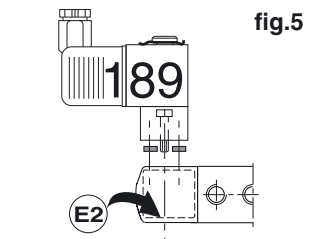


fig.5

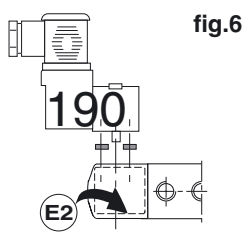


fig.6

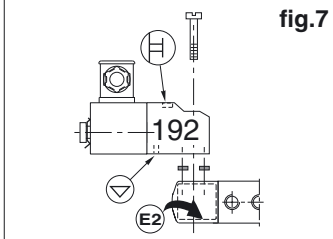
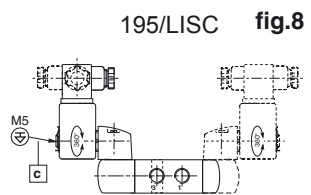
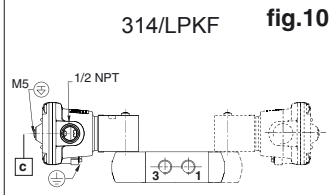


fig.7



195/LISC fig.8



314/LPKF fig.10



fig.2

- 34600484 (M5)
- 34600418 (G1/8)    34600482 (NPT1/8)
- 34600419 (G1/4)    34600483 (NPT1/4)
- 34600479 (G1/2)    34600481 (NPT1/2)



fig.16

Rep.	N.m	Inch.Pounds
c	2 ± 2	18 ± 18