

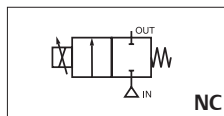
ASCO™ Solenoid Valves

proportional direct operated for vapour recovery regulating applications, 1/4

2/2
SERIES
291

Features

- The proportional solenoid valves can handle a variable flow of fuel vapour, proportional to the control signal
- The high quality ETFE disc core construction guarantees a long operating life and a wide temperature range
- Explosion proof operator, intended for use in potentially explosive areas, according to Directive ATEX 2014/34/EU
- Easy electrical installation by means of the moulded-in supply cable, standard length of 3 meter
- ASCO™ components satisfy all relevant EC directives



General

Differential pressure 0 - 1 bar [1 bar = 100kPa]
Ambient temperature range -40 to +65°C

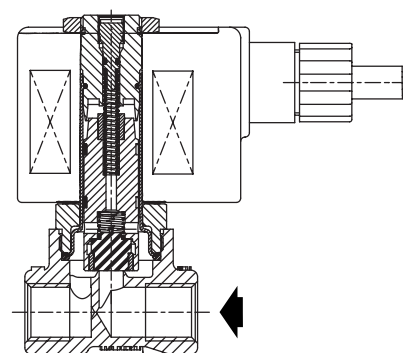


| fluids (*) | temperature range (TS) | seal materials (*) |
|-------------|------------------------|---|
| Fuel vapour | -40 to +65°C | FPM (fluoroelastomer)/ ETFE (ethylene tetrafluoroethylene) |

Materials in contact with fluid

(*) Ensure that the compatibility of the fluids in contact with the materials is verified

| | |
|------------------|-----------------|
| Body | Brass |
| Core tube | Stainless steel |
| Core and plugnut | Stainless steel |
| Core disc seal | ETFE |
| Rider ring | PTFE |
| Springs | Stainless steel |
| Lip seal | PTFE |
| Seat | Brass |
| Breaker piece | Stainless steel |



Electrical Characteristics

Coil insulation class F
Electrical safety IEC 335
Standard voltages DC (=) 24V - 48V

| prefix option | power ratings | | operator ambient temperature range (TS) (C°) | safety code | electrical enclosure protection (EN 60529) | replacement coil | | type ⁽¹⁾ |
|---------------|---------------|------------|---|--|--|------------------|----------------|---------------------|
| | holding ~ | hot/cold = | | | | ~ | = | |
| | (W) | (W) | | | | 230V/50/60 Hz | 24V/DC | |
| PV | - | 6,0 / 5,0 | -40 to +65 | II2G Ex eb IIC Gb T4, II2D Ex tb IIIC Db | moulded IP67 | - | ⁽²⁾ | 01 |

- ⁽¹⁾ Refer to the dimensional drawings on page 18
⁽²⁾ Multiple coils kits available under ATEX, contact us
- Not available

Specifications

| pipe size | orifice size | flow coefficient Kv (m ³ /h) (l/min) | | operating pressure differential (bar) min max. PS = | | prefix optional solenoids * | | | | | | basic catalogue number |
|-----------------------------|--------------|--|------|--|---|-----------------------------|------|---------|-------|--------|------|------------------------|
| | | | | | | ATEX / IECEx | | | | | IP65 | |
| | | | | | | NEMA 7&9 | Ex d | Ex e mb | Ex mb | EEx nA | | |
| G | (mm) | | | | | EF | NF | EM | PV | ZN | SC | |
| NC - Normally closed | | | | | | | | | | | | |
| 1/4 | 5,6 | 0,73 | 12,2 | 0 | 1 | - | - | - | ● | - | - | G291B210 |

- Available feature
- Not available

Installation

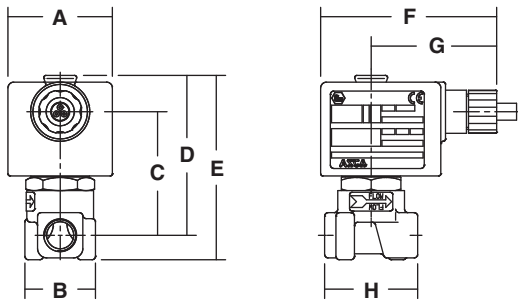
- The valves can be mounted in any position without affecting operation.
- Pipe connection identifiers: G = pipe thread according to ISO 228/1
- Installation/maintenance instructions are included with each valve.
- PV solenoids have a standard cable length of 3 meters. Other lengths in full meters are available on request

Dimensions (mm), Weight (kg)



TYPE 01
 Prefix "PV" Solenoid
 Epoxy encapsulated
 II2G Ex eb IIC Gb T4, II2D Ex tb IIIC Db
 IP67

G291A210



| type | AC/DC | prefix option | catalogue number | spare parts kits | A | B | C | D | E | F | G | H | J | weight |
|------|-------|---------------|------------------|------------------|----|----|----|----|----|----|----|----|---|---------|
| 01 | = | PV | G291B210 | PVC117692 | 45 | 30 | 53 | 68 | 79 | 75 | 54 | 40 | - | 0,45 Kg |