

ASCO™ Spool Valves

single/dual solenoid - pilot operated or air operated - stainless steel body - 1/4 and 1/2 tapped

**3/2 NC
SERIES
551 - 553**

Features

- The monostable spool valves in conformity with IEC 61508 Standard (2010 route 2_H version) have TÜV (551 series) and EXIDA (551-553 series) certified with integrity levels: SIL 2 for HFT = 0 / SIL 3 for HFT = 1
- Series 551 versions according to ATEX 2014/34/EU, for zones 0, 1 and 2 and series 553 air-operated versions for zones 1 and 2
- All the exhaust ports of the spool valve are connectable, providing better environmental protection. Particularly recommended for sensitive areas, such as clean rooms, and applications in the pharmaceutical and food processing sectors
- The valves offer environmental protection against the ingress of liquids, dusts or other foreign matter (environmentally-protected construction)
- The solenoid valves satisfy all relevant EU directives

General

Differential pressure 2 - 10,4 bar [1 bar = 100 kPa]
Flow (Qv at 6 bar) 1/4 = 860 l/min (ANR)
 1/2 = 3000 l/min

fluids (*)	temperature range (TS)	seal materials (*)
air, inert gas, filtered	551: -40°C to +80°C	VMQ (silicone) + PUR (polyurethane)
	553: -40°C to +60°C	

Materials in contact with fluid

(*) Ensure that the compatibility of the fluids in contact with the materials is verified

	Air operated	CNOMO solenoid (pilot)
interface		
Body, end covers	(551-553 Series) Stainless steel, AISI 316L	(551 Series) Stainless steel, AISI 316L
Spool valve internal parts	Stainless steel, POM	Stainless steel, POM
Seals	NBR	NBR
Pilot internal parts	-	Size 30 (E06.05.80N), refer to catalogue pages: 314/LPKF pilot (contact us) and 195 pilot (LISC)

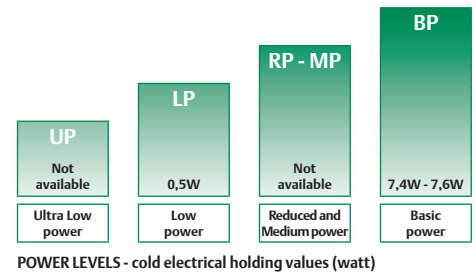
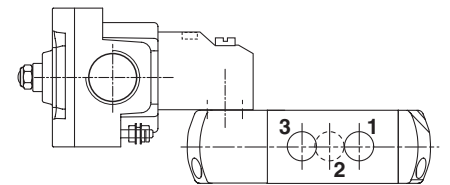
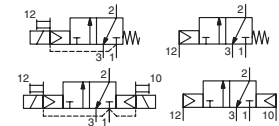
Air operated specifications

pipe size	orifice size	flow coefficient Kv		operating pressure differential (bar)		prefix optional	basic catalogue number
				min..	max. (PS) air (*)		
(*)	(mm)	(m ³ /h)	(l/min)		-		
Pilot air operated - spring return (monostable)							
1/4	6	0,75	12,5	2	10	-	❖551A113 ⁽¹⁾
1/2	13	2,49	41,5	2	10	-	❖553A113 ⁽¹⁾
Pilot air operated and return (bistable)							
1/4	6	0,75	12,5	2	10	-	❖551A114
1/2	13	2,49	41,5	2	10	-	❖553A114

CNOMO solenoid (pilot) interface specifications

pipe size	orifice size	flow coefficient Kv		operating pressure differential (bar)		power level	prefix optional solenoids		basic catalogue number
				min.	max. (PS) air (*)		ATEX / IECEx		
(*)	(mm)	(m ³ /h)	(l/min)		~	~/=	Ex db	Ex ia	
Solenoid air pilot operated - spring return (monostable)									
1/4	6	0,75	12,5	2	10	10	●	-	❖551A213 ⁽¹⁾
1/4	6	0,75	12,5	2	-	8	LP	○	❖551B213 ⁽¹⁾
Solenoid air pilot operated and return (bistable)									
1/4	6	0,75	12,5	2	10	10	BP	●	❖551A214
1/4	6	0,75	12,5	2	-	8	LP	○	❖551B214

❖ Select 8 for NPT ANSI 1.20.3 or select G for ISO G (228/1) ● Available feature ○ Available feature in DC only. - Not available
⁽¹⁾ Certified IEC 61508 Functional Safety data, use suffix "SL".
⁽²⁾ 314/LPKF: Contact us



Explanation of temperature ranges of solenoid valves

Valve temperature range	The valve temperature range (TS) is determined by the selected seal material, the temperature range for proper operation of the valve and sometimes by the fluid (e.g. steam)
Operator ambient temperature range	The operator ambient temperature range is determined by the selected power level and the safety code
Total temperature range	The temperature range of the complete solenoid valve is determined by the limitations of both temperature ranges above

Electrical characteristics

Coil insulation class	F
Electrical safety	IEC 335
Standard voltages	DC (=) ⁽⁵⁾ : 24V - 48V ; LISC: 12..24V AC (~) ⁽⁵⁾ : 24V - 48V - 115V - 230V/50Hz - other voltages and 60Hz are available on request

prefix option	power ratings			operator ambient temperature range (TS) (C°)	safety code	electrical enclosure protection (EN 60529)	replacement coil		type ⁽¹⁾	
	inrush ~ (VA)	holding ~ (VA)	hot/cold = (W)				~	=		
Basic power (BP)										
⁽⁵⁾	8,6	1,6	7,4	6/7,6	-25 to +80	II2G Ex d IIB+H2Gb T4, II2D Ex tb IIICDb	IP65, alu.	-	-	01
Low Power (LP)										
LISC ⁽³⁾⁽⁴⁾	-	-	-	0,5	-40 to +65	II 1G Ex ia IIC T6 Ga, II 2D Ex ib IIICDb ⁽³⁾	IP65, moulded	-	-	02

- Not available

⁽¹⁾ Refer to the dimensional drawings on page: 4.

prefix option	safety parameters				
	U _I = (DC) (V)	I _I (mA)	P _I (W)	L _I (H)	C _I (µF)
Low Power (LP)					
LISC	30	300	1,6	0	0

⁽³⁾ Min. operating current (I_{(ON) min.}): 0,036 A / U_{(ON) min.} = 12,8 V (For use in zone 0 locations, see the installation conditions given in the I&M instructions)

⁽⁴⁾ Intrinsically safe pilots: Check the electrical characteristics in the corresponding catalogue pages (LISC: 19500036/LISC pilot).

⁽⁵⁾ 314/LPK: Contact us

Electrical connections

prefix	connection
⁽⁵⁾	1/2" NPT threaded cable entry. Enclosures are supplied without cable gland
LISC	Spade plug connector with cable gland EN175301-803A (ISO 4400) for cables with an outer diameter from 6 to 8 mm

Additional options

- Mounting on aluminium supply rail, 1/4 or 1/2
- Other pipe threads are available on request

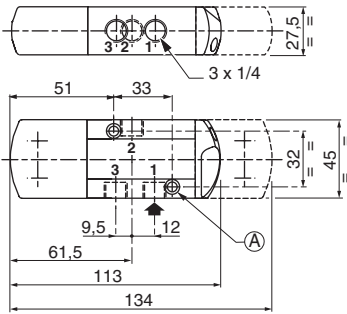
Installation

- Multi language installation/maintenance instructions are included with each valve
- The valves can be mounted in any position without affecting operation
- Do not connect the pressure supply to the exhaust port 3. The "environmentally-protected" construction is not adapted for a "distributing" function
- IEC 61508 Functional Safety (suffix SL). Check temperature range of valve body and solenoid for suitability. For probability of failure, contact us
- It is necessary to connect pipes or fittings to the exhaust ports to protect the internal parts of the spool valve and its pneumatic operator if used outside or in harsh environments (dusts, liquids etc.)
- Threaded pipe connection identifier is 8 = NPT (ANSI 1.20.3); G = G (ISO 228/1)
- Valves with suffix "SL" are provided with specific exhaust protectors

**3/2 NC
SERIES
551 - 553**

Dimensions (mm), Weight (kg)

**TYPE 01-02: CNOMO (551 Series)
size 30 (E06.05.80)**



2 mounting holes

- (A) 5,3 mm dia.; Spotfacing: 9 mm dia., depth 5 mm
- (B) 6,5 mm dia.; Spotfacing: 11 mm dia., depth 6 mm

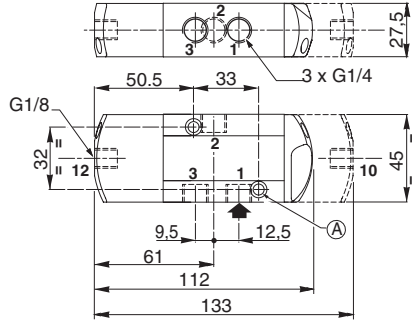


TYPE 01:
314 pilot/LPKF operator
EN/IEC 60079-1, 60079-31

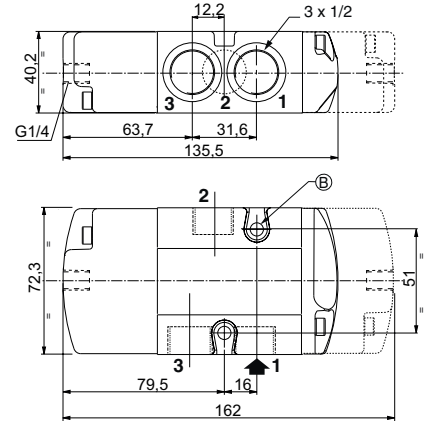
551: Contact us

TYPE 03: Air operated

551 Series

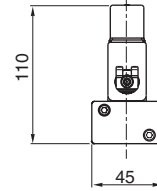
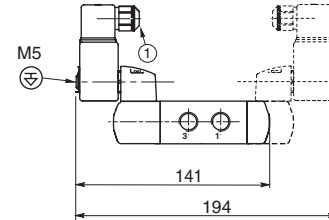
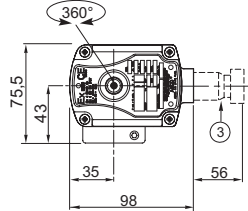
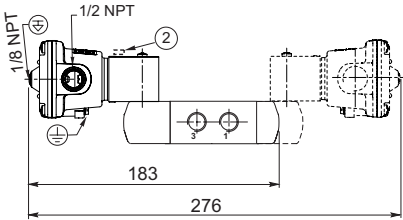


553 Series



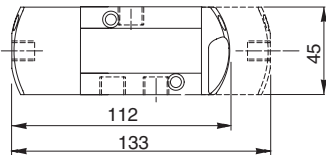
TYPE 02:
Aluminium
195/LISC: EN 60079-11

551B213 / 551B214

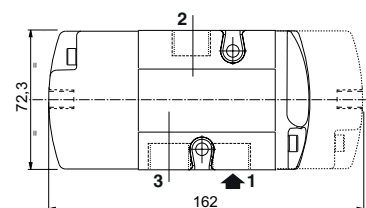
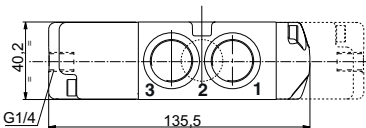


TYPE 03:
No prefix, IP65
[551 suffixes: GD (II 1 GD c) ; SL (SIL) ;
GDSL (SIL, II 1 GD c)
553 suffixes: GD (II 2 GD c) ; SL (SIL) ;
GDSL (SIL, II 2 GD c)]
Air operated version

551A113 / 551A114



553A113 / 553A114



- (1) Connector rotatable by 90° increments (cable 6 - 8 mm)
- (2) Manual operator location
- (3) Ex d certified cable gland (on request)
- (⊕) Connectable pilot exhaust port

type	prefix/option	power level	weight ⁽¹⁾			
			monostable		bistable	
			551	553	551	553
01	⁽²⁾	BP	1,24	-	1,96	-
02	LISC	LP	0,68	-	0,93	-
03	-	-	0,33	2,14	0,41	2,01

⁽¹⁾ Incl. connector(s), except CFVT.

⁽²⁾ 314/LPKF: Contact us

Accessories

ØA	-	1/8	1/4	1/2
B	-	10	11	14

**exhaust protector
(stainless steel)**

Availability, design and specifications are subject to change without notice. All rights reserved. 80056GB-2019/R01