

# AVENTICS™ Proportional Valves SENTRONIC<sup>LP</sup>

With integrated digital control electronics

G 1/8"

3 Ports  
Series  
**617**

## Features and Benefits

- **Sentronic<sup>LP</sup>** is a compact electropneumatic pressure regulator (E/P transducer) which converts an electrical signal into a pneumatic pressure. It is particularly suited for precise pressure regulation due to its integrated control loop with electronic pressure feedback.

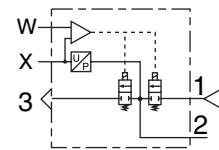


## General

<b>Fluids</b>	Air or neutral gases, ISO 8573-1: 2010 [7:4:4]
<b>Connection</b>	G 1/8"
<b>Pressure range</b>	0-3 bar, 0-6 bar, 0-10 bar
<b>Temperature</b>	- <b>Fluid</b> 0°C to +60°C
	- <b>Ambient</b> 0°C to +50°C
<b>Analog setpoint</b>	0 - 10 V, 0 - 20 mA, 4 - 20 mA
<b>Failsafe behaviour</b>	Pressure held on loss of power, without control
<b>Hysteresis</b>	< 1% of span
<b>Repeatability</b>	< 1% of span

## Construction

<b>Body</b>	Aluminium, PA GF
<b>Internal parts</b>	Brass, stainless steel
<b>Seals</b>	NBR, FPM



## Electrical characteristics

Voltage (residual ripple: max. 10 %)	Max. power (W)	Max. current (mA)	Insulation class	Protection degree	Electrical connection
24 VDC +/-10%	3.6	150	F	IP65	5-pin M12 connector (to be ordered separately)

## Specifications

Pipe size	Ø orifice DN (mm)	Kv coefficient (Nm <sup>3</sup> /h)	Flow	
			At 6 bar (l/min - ANR)	
G 1/8"	0.5	0.012	13	

### PRODUCT CODE

**G 617 A E 0 0 0 1 A00 06**

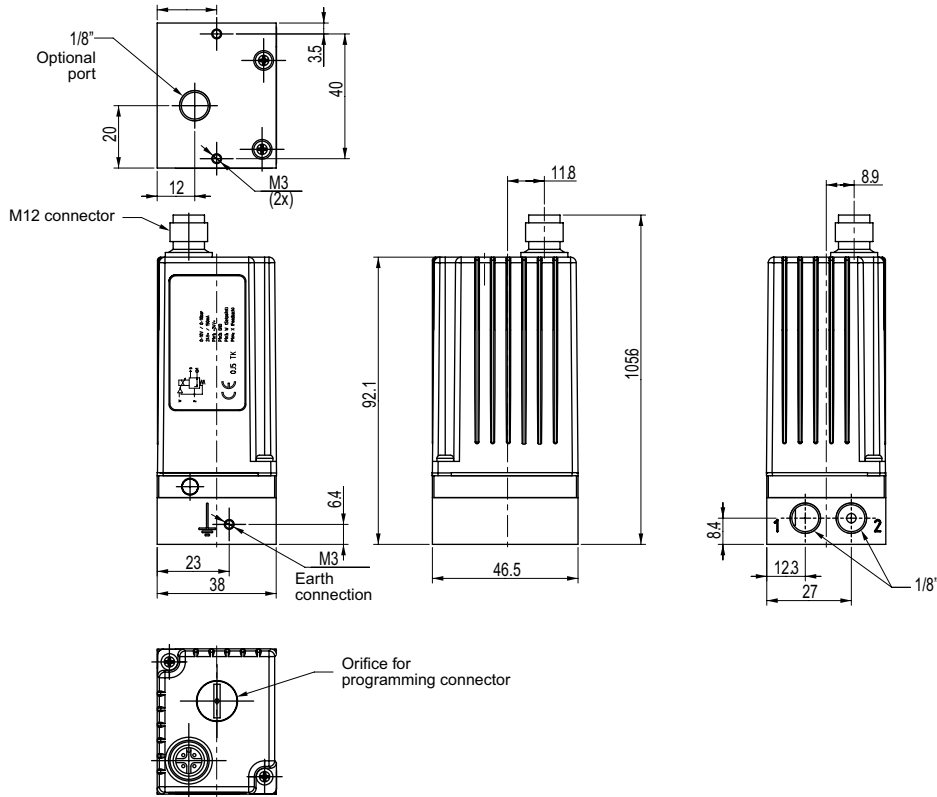
<b>Thread connection</b> G = ISO 228/1	<b>Product series</b> 617	<b>Revision letter</b> A = Initial release	<b>Size</b> E = G 1/8" + pressure hold (DN 0.5)	<b>Setpoint</b> 0 = 0-10 V 1 = 0-20 mA 2 = 4-20 mA	<b>Feedback type</b> 0 = 0-10 V 1 = 0-20 mA 2 = 4-20 mA	<b>Pressure range</b> 03 = 0...3 bar 06 = 0...6 bar 10 = 0...10 bar	<b>Max. inlet pressure</b> 5 bar 8 bar 12 bar	<b>Options</b> A00 = Standard	<b>Input / Display with operating buttons</b> 1 = Standard n.c.	<b>Output</b> 0 = N.C.
---	------------------------------	---	--	---	--	--	--	----------------------------------	--	---------------------------

DP14226GB-2022/R01  
Availability, design and specifications are subject to change without notice. All rights reserved.

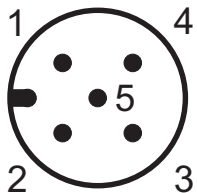
**Dimensions (mm), Weight (kg)**

**Version G 1/8"**

Weight: 182 g



**Connector pinning / Cable wiring**



View from solder side

Pin	Description	5-wire cable (2 m)	6-wire cable (5 m, 10 m)
1	24VDC voltage supply	brown	brown
2	Analog setpoint input	white	white
3	Supply ground	blue	green
	Analog ground *		yellow
4	Analog output (feedback)	black	pink
5	PE connection	grey	grey
<b>Cable shield</b>	EMC shield	shield	shield

\* A 6-wire cable with separate analog ground is used for cable lengths over 2 m to set off the voltage drop for the setpoint.

**Accessories**

Description	Catalogue number
Straight M12 female connector, 5 pins, with screw terminals	<b>88100256</b>
Right-angle M12 female connector, 5 pins, with screw terminals	<b>88100725</b>
Supply cable 2 m; 5 x 0.25 mm <sup>2</sup> ; straight connector	<b>88100726</b>
Supply cable 2 m; 5 x 0.25 mm <sup>2</sup> ; right-angle connector	<b>88100727</b>
Supply cable 5 m; 6 x 0.50 mm <sup>2</sup> ; straight connector	<b>88100728</b>
Supply cable 5 m; 6 x 0.50 mm <sup>2</sup> ; right-angle connector	<b>88100729</b>
Supply cable 10 m; 6 x 0.50 mm <sup>2</sup> ; straight connector	<b>88100730</b>
Supply cable 10 m; 6 x 0.50 mm <sup>2</sup> ; right-angle connector	<b>88100731</b>
USB interface, 1 m cable	<b>N5093030010000</b>