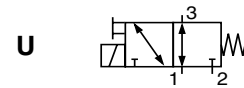




MINIATURE SOLENOID VALVES

rocker mechanism, fluid isolation
threaded connections
1/4-28 UNF



3/2
Series
360

FEATURES

- Valves for medical analysers, biotechnology, gas analysers
- Can be used to control acids and bases, as well as analytical reagents
- Any application where the fluid may not come into contact with metal parts and with the electromagnetic control section of the solenoid valves
- The valves are ideal for controlling aggressive fluids or when high purity is demanded and have easy to flush internal cavities
- They can also be used as a very small internal volume flow-through sampling valve due to rocker technology
- Hermetic separation of control mechanism and fluid
- Reduced heat exchange between coil and fluid
- Protected manual operator
- The use of first class materials and thorough valve testing ensure high reliability and a lifetime of at least 1 million cycles
- The solenoid valves satisfy all relevant EC directives



GENERAL

Differential pressure -0,7 to +2 bar (usable in 0,3 bar abs. vacuum) [1 bar =100 kPa]
Maximum viscosity 20 cSt (mm²/s)
Response time < 20 ms
Internal volume < 75 µl (connections not included)

fluids (*)	temperature range (TS)	seal materials (*)
liquids or gases	0°C to + 40°C	EPDM (ethylene-propylene)

CONSTRUCTION

Body PA12
Internal parts Stainless steel

MATERIALS IN CONTACT WITH FLUID

(*) Ensure that the compatibility of the fluids in contact with the materials is verified

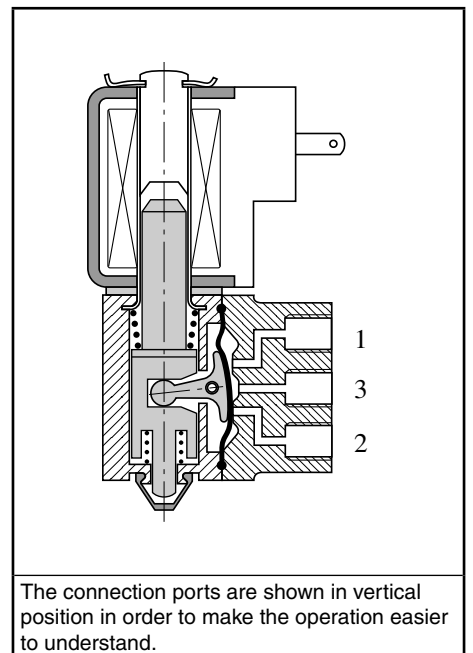
Cover PEEK
Diaphragm-poppets EPDM

ELECTRICAL CHARACTERISTICS

Coil insulation class F
Coil Two spade terminals 2.8 x 0.5 mm (DIN 46340)
Electrical safety IEC 335
Electrical enclosure protection IP40 (EN60529)
Standard voltages DC (=) : 12V - 24V
 (Other voltages on request)

prefix option	power ratings			operator ambient temperature range (TS) (C°)	replacement coil		type ⁽¹⁾	
	inrush ~ (VA)	holding ~ (W)	hot/cold = (W)		-	=		
	(VA)	(W)	(W)		-	24 V DC		
SC	-	-	-	4 / 5	-5 to + 40	-	43004663	01

⁽¹⁾ Refer to the dimensional drawings on the following page.



The connection ports are shown in vertical position in order to make the operation easier to understand.

SPECIFICATIONS

pipe size	orifice size (mm)	flow coefficient Kv (m ³ /h) (l/min)		operating pressure differential (bar)				power coil (W)		catalogue number (protected impulse manual operator)
				min.	max. (PS)		=			
					gases (*)	liquids (*)				
U - Universal										
1/4-28 UNF	1,5	0,05	0,75	-0,7	2	2	-	5	SCE360A404	

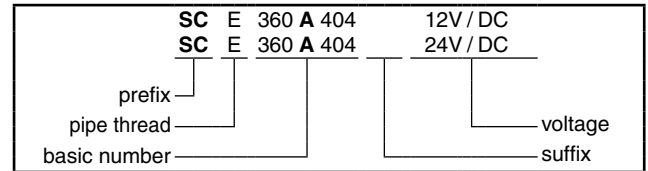
OPTIONS

- Other diaphragm materials are available

INSTALLATION

- The solenoid valves can be mounted in any position without affecting operation
- Standard mounting holes provided at the rear end of the body
- Port connection thread (1/4-28 UNF). Max. torque, see below
- Replacement coils are available
- Installation/maintenance instructions are included with each valve

ORDERING EXAMPLES:



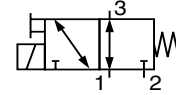
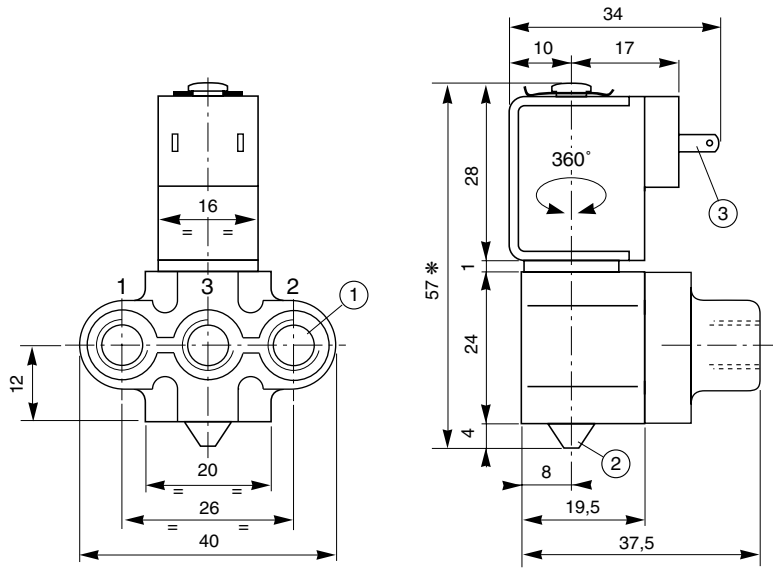
DIMENSIONS (mm), WEIGHT (kg)



TYPE 01

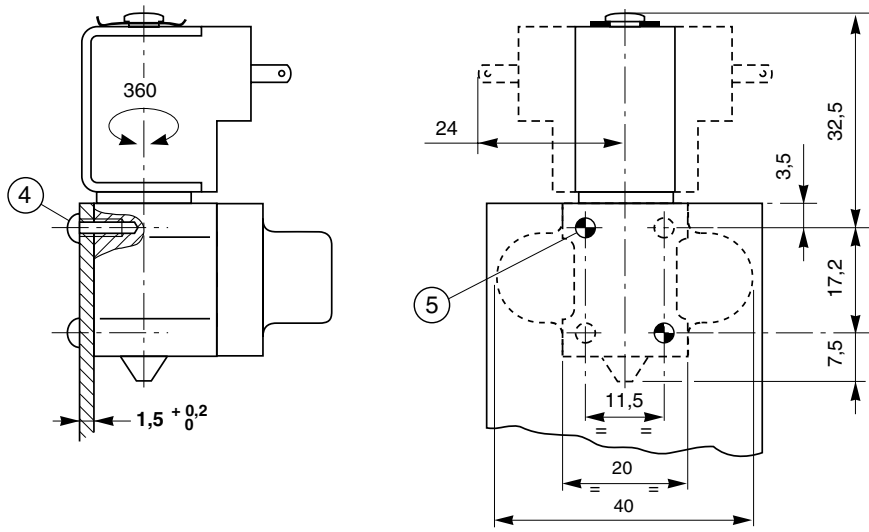
Prefix "SC" Solenoid
DIN 43340

SCE360A404



- ① Threaded connection:
3 x 1/4-28 UNF.
Max. torque 3 N.m
- ② Protected impulse type manual operator
- ③ Coil with two spade terminals 2,8 x 0,5 (DIN 46340)

REAR MOUNTING



- ④ 2 self thread cutting «Torx» screws
K 22 x 6 - A2 stainless steel
(screws delivered)
- use these screws only
- use plate with correct thickness
- max. torque: 0,3 N.m
- ⑤ Two mounting holes 2.5 mm dia.
Solenoid valve body has four
holes for mounting purpose

type	prefix option	weight ⁽¹⁾
01	SC	0,55

⁽¹⁾ Incl. coil.

All leaflets are available on: www.asconumatics.eu