

# ASCO™ Operators

For Potentially Explosive Atmospheres

II2G Ex db IIB+H<sub>2</sub> Gb T6..T4, II2D Ex tb IIIC Db T85°C..T135°C IP66/IP67

Flameproof enclosure, aluminium or stainless steel enclosure

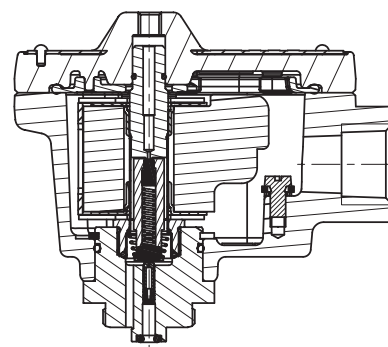
Series  
**LPKF**  
**WSLPKF**

## Features and Benefits

- Explosionproof operator for use in potentially explosive atmospheres according to ATEX-Directive 2014/34/EU  
EC type examination certificate no.: **LCIE 10 ATEX 3043X**  
IECEx Certificate of Conformity no.: **IECEx LCI 10.0010X**
- Compliance with the Essential Health and Safety Requirements has been assured by compliance with the International and European Standards IEC and EN: 60079-0, 60079-1 and 60079-31
- Easy electrical installation by means of a screw terminal coil
- Enclosure provided with a 1/2" NPT threaded entry hole for a broad range of cable entries
- Ingress protection degree IP67 - NEMA 4/4X
- A wide range of valves can be supplied with the operator

## Construction

<b>Solenoid enclosure</b>	LPKF Aluminium, cataphoresis black painting
	WSLPKF Stainless steel (AISI 316L)
<b>Bonnet</b>	LPKF Stainless steel
	WSLPKF Stainless steel (AISI 316L)
<b>Cover screws</b>	Stainless steel
<b>Core, core tube and plugnut</b>	Stainless steel
<b>Seals</b>	VMQ
<b>Upper disc</b>	FPM
<b>Lower disc</b>	NBR
<b>Nameplate</b>	Stainless steel
<b>Coil connection</b>	Embedded screw terminals
<b>Safety code</b>	II2G Ex db IIB+H <sub>2</sub> Gb T6..T4 II2D Ex tb IIIC Db T85°C..T135°C IP66/IP67



## Electrical characteristics

<b>Standard voltages</b>	DC (=): 24V - 48V
	AC (~): 24V - 48V - 115V - 230V / 50 Hz

## Temperature classification tables

AC solenoids (~)					DC solenoids (=)				
Pn (watt)	Solenoid size M6	Maximum ambient °C <sup>(1) (5)</sup> Surface temperature			Pn (watt)	Solenoid size M6	Maximum ambient °C <sup>(1) (5)</sup> Surface temperature		
		T6 85°C	T5 100°C	T4 135°C			T6 85°C	T5 100°C	T4 135°C
-	-	-	-	-	0.5 <sup>(3)</sup>	•	70	80	-
2.4 <sup>(2) (4)</sup>	•	40	65	80	2.1 <sup>(4)</sup>	•	40	-	80

Check the wattage compatibility with the product selected.  
<sup>(1)</sup> The minimum allowable ambient temperature is -40°C for the operator. Actual temperature range can be limited depending on valve operation limits.  
<sup>(2)</sup> AC (~): rectified coil construction.  
<sup>(3)</sup> 24 V DC value.  
<sup>(4)</sup> Maximum cold wattage.  
<sup>(5)</sup> For the layout of the control circuit, see the installation and maintenance instructions at: Emerson.com/ASCO

## Connections

- Any IECEx-ATEX approved cable entry device can be fitted in the 1/2" NPT threaded entry hole
- Internal and external earthing connection
- The operator can be rotated through 360° to select the most favourable position for cable entry

## Options

- Brass nickel plated cable gland

## ORDERING INFORMATION

A valve supplied with the explosionproof operator will be identified with prefix LPKF or WSLPKF before the catalogue number.

Example:	LPKF	G	551B305	24V/DC
	LPKF	G	552A301	230V/AC
	WSLPKF	G	553A318	230V/AC

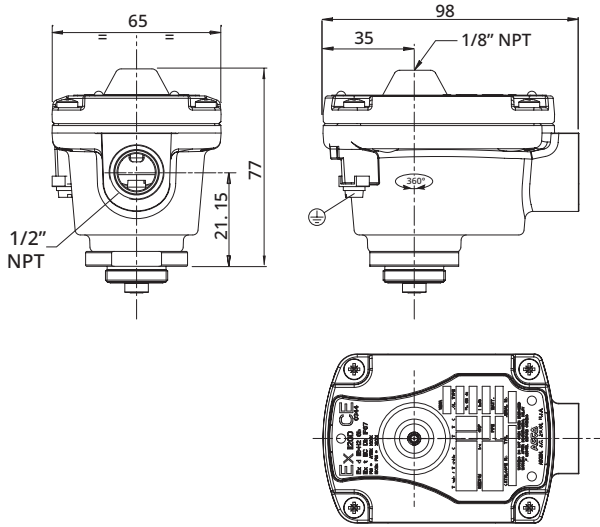
operator — pipe thread — voltage — basic number

## Dimensions (mm), Weight (kg)



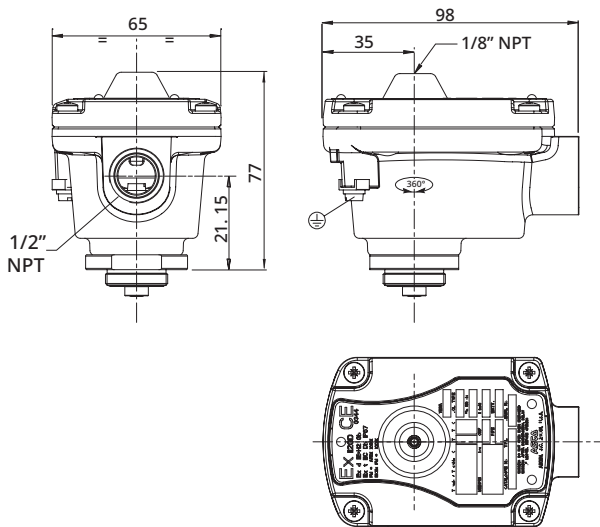
### TYPE LPKF

Prefix "LPKF" Solenoid  
 Aluminium, epoxy coated  
 IEC, EN: 60079-1, 60079-31  
 II2G Ex db IIB+H2 Gb T6..T4 - II2D Ex tb IIIC Db T855°C..T135°C IP66/IP67



### TYPE WSLPKF

Prefix "WSLPKF" Solenoid  
 Stainless steel, epoxy coated  
 IEC, EN: 60079-1, 60079-31  
 II2G Ex db IIB+H2 Gb T6..T4 - II2D Ex tb IIIC Db T855°C..T135°C IP66/IP67



Prefix	Weight
LPKF	0.55
WSLPKF	1.16