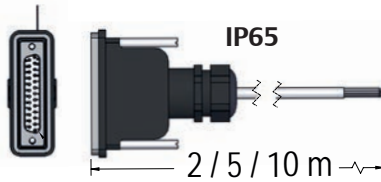
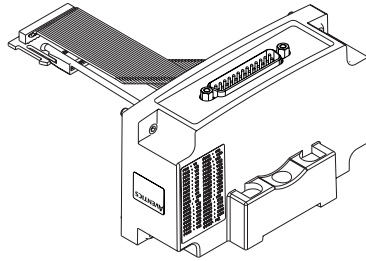
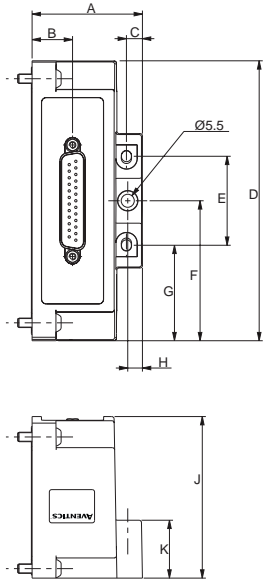


Assembly kits

(Series 501/Series 502/Series 503)

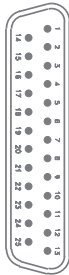
25 Pin Sub-D Connector Kit



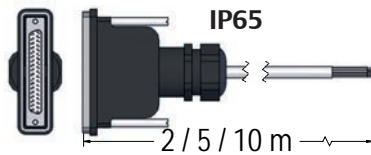
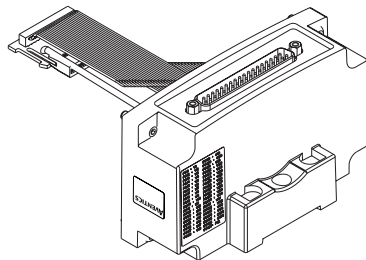
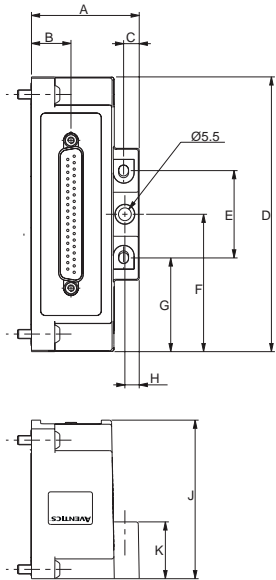
Note: External fusing or output protection recommended.

Dimensions (mm)									
A	B	C	D	E	F	G	H	J	K
46.4	17	6.7	118	37.5	59	40.2	40.2	68.1	24.4

Pins 1-22 outputs
Pins 23-24 common
Pin 25 earth ground



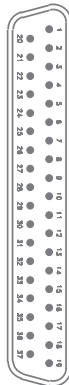
37 Pin Sub-D Connector Kit



Note: External fusing or output protection recommended.

Dimensions (mm)									
A	B	C	D	E	F	G	H	J	K
46.4	17	6.7	118	37.5	59	40.2	40.2	68.1	24.4

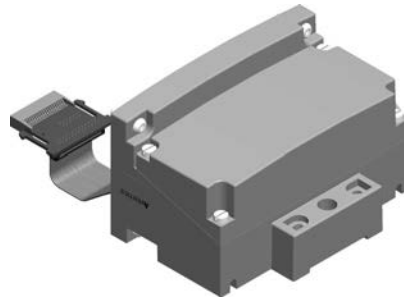
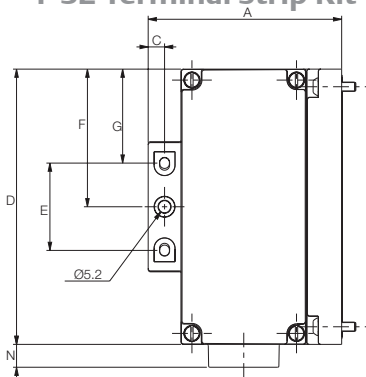
Pins 1-32 outputs
Pins 33-36 common
Pin 37 earth ground



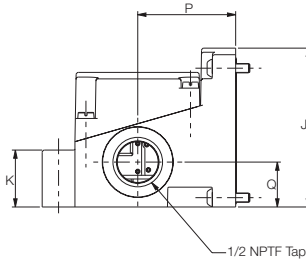
01421GB-2020/R01
Availability, design and specifications are subject to change without notice. All rights reserved.

Assembly kits

1-32 Terminal Strip Kit



IP65



Catalog number	Designation
P599AE428444001	TERMINAL STRIP ASSEMBLY WITHOUT DIN RAIL
P599AE428444002	TERMINAL STRIP ASSEMBLY WITH DIN RAIL

Terminals 1-32 outputs
Terminal COM common
Terminal GND earth ground

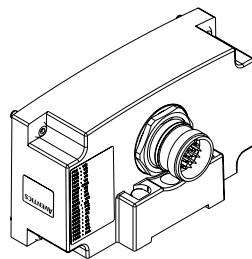
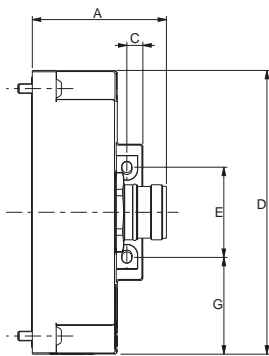
Note: External fusing or output protection recommended.

Note: min. conductor wire diam.: 0.4 mm
max. conductor wire diam.: 1.02 mm

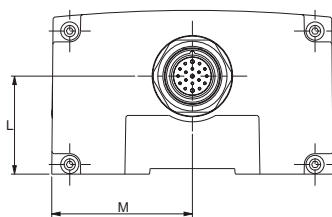
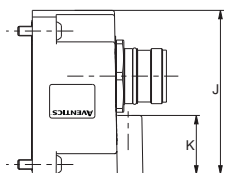
Dimensions (mm)

A	C	D	E	F	G	J	K	N	P	Q
82.7	7	118	37.5	59	40.2	68.1	24.4	9.8	41.9	19.3

19 Pin Round Connector Kit



IP65



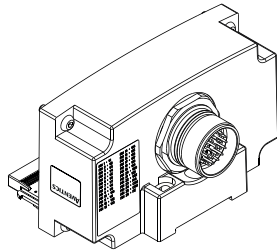
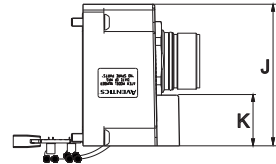
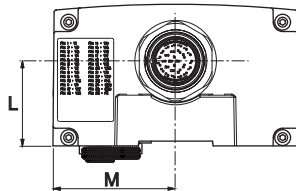
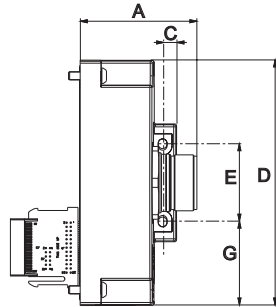
Catalog number	Designation
P599AE428436001	19 PIN ASSEMBLY WITHOUT DIN RAIL
P599AE428436002	19 PIN ASSEMBLY WITH DIN RAIL

- | | |
|------------------|-----------------------|
| Pin 1 = Coil 15 | Pin 11 = Coil 13 |
| Pin 2 = Coil 11 | Pin 12 = P.E. (earth) |
| Pin 3 = Coil 7 | Pin 13 = Coil 12 |
| Pin 4 = Coil 4 | Pin 14 = Coil 8 |
| Pin 5 = Coil 3 | Pin 15 = Coil 1 |
| Pin 6 = common | Pin 16 = Coil 5 |
| Pin 7 = Coil 2 | Pin 17 = Coil 9 |
| Pin 8 = Coil 6 | Pin 18 = Coil 16 |
| Pin 9 = Coil 10 | Pin 19 = N.C. |
| Pin 10 = Coil 14 | |

Note: External fusing or output protection recommended.

Dimensions (mm)

A	C	D	E	G	J	K	L	M
56.3	6.7	118	37.5	40.2	68.1	24.4	40.8	59

Assembly kits**26 Pin Round Connector Kit****IP65**

Catalog number	Designation
P599AE502625001	26 PIN ASSEMBLY WITHOUT DIN RAIL
P599AE502625002	26 PIN ASSEMBLY WITH DIN RAIL

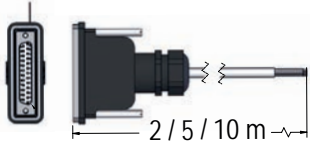
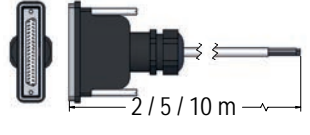
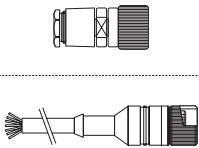
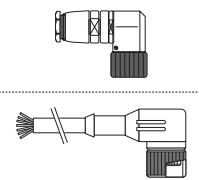
Pin 1 = Coil 1	Pin 14 = Coil 14
Pin 2 = Coil 2	Pin 15 = Coil 15
Pin 3 = Coil 3	Pin 16 = Coil 16
Pin 4 = Coil 4	Pin 17 = Coil 17
Pin 5 = Coil 5	Pin 18 = Coil 18
Pin 6 = Coil 6	Pin 19 = Coil 19
Pin 7 = Coil 7	Pin 20 = Coil 20
Pin 8 = Coil 8	Pin 21 = Coil 21
Pin 9 = Coil 9	Pin 22 = Coil 22
Pin 10 = Coil 10	Pin 23 = N.C.
Pin 11 = Coil 11	Pin 24 = common
Pin 12 = Coil 12	Pin 25 = common
Pin 13 = Coil 13	Pin 26 = P.E.(earth)

Dimensions (mm)

A	C	D	E	G	J	K	L	M
56.3	6.7	118	37.5	40.2	68.1	24.4	40.8	59

Note: External fusing or output protection recommended.

Connectors

Accessory type	Designation		Length	Catalog number
 <p>2 / 5 / 10 m</p>	25 Pin Sub-D Female Connector IP65	w/ cable	2 m	NDB25F22U02MSB3
			5 m	NDB25F22U05MSB3
			10 m	NDB25F22U10MSB3
 <p>2 / 5 / 10 m</p>	37 Pin Sub-D Female Connector IP65	w/ cable	2 m	NDB37F22U02MSB3
			5 m	NDB37F22U05MSB3
			10 m	NDB37F22U10MSB3
	19 pin female M23 connector, straight IP65	w/o cable		88164102
		w/ cable	5 m	88164106
	19 pin female M23 connector, 90° elbow IP65	w/o cable		88164105
		w/ cable	5 m	88164107

NDB25F22U02MSB3
NDB25F22U05MSB3
NDB25F22U10MSB3

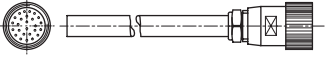
- Pin 1 : white
- Pin 2 : brown
- Pin 3 : green
- Pin 4 : yellow
- Pin 5 : grey
- Pin 6 : pink
- Pin 7 : blue
- Pin 8 : red
- Pin 9 : black
- Pin 10 : purple
- Pin 11 : grey/pink
- Pin 12 : red/blue
- Pin 13 : white/green
- Pin 14 : brown/green
- Pin 15 : white/yellow
- Pin 16 : yellow/brown
- Pin 17 : white/grey
- Pin 18 : grey/brown
- Pin 19 : white/pink
- Pin 20 : pink/brown
- Pin 21 : white/blue
- Pin 22 : brown/blue
- Pin 23 : white/red
- Pin 24 : brown/red
- Pin 25 : white/black

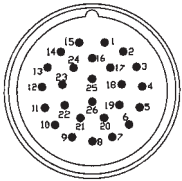
NDB37F22U02MSB3
NDB37F22U05MSB3
NDB37F22U10MSB3

- | | |
|-----------------------|-----------------------|
| Pin 1 : white | Pin 26 : brown/black |
| Pin 2 : brown | Pin 27 : grey/green |
| Pin 3 : green | Pin 28 : yellow/grey |
| Pin 4 : yellow | Pin 29 : pink/green |
| Pin 5 : grey | Pin 30 : yellow/pink |
| Pin 6 : pink | Pin 31 : green/blue |
| Pin 7 : blue | Pin 32 : yellow/blue |
| Pin 8 : red | Pin 33 : green/red |
| Pin 9 : black | Pin 34 : yellow/red |
| Pin 10 : purple | Pin 35 : green/black |
| Pin 11 : grey/pink | Pin 36 : yellow/black |
| Pin 12 : red/blue | Pin 37 : grey/blue |
| Pin 13 : white/green | |
| Pin 14 : brown/green | |
| Pin 15 : white/yellow | |
| Pin 16 : yellow/brown | |
| Pin 17 : white/grey | |
| Pin 18 : grey/brown | |
| Pin 19 : white/pink | |
| Pin 20 : pink/brown | |
| Pin 21 : white/blue | |
| Pin 22 : brown/blue | |
| Pin 23 : white/red | |
| Pin 24 : brown/red | |
| Pin 25 : white/black | |

01421GB-2020/R01
Availability, design and specifications are subject to change without notice. All rights reserved.

Connectors

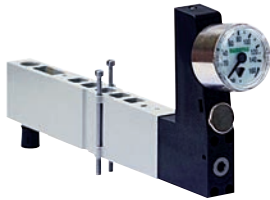
Accessory type	Designation			Catalog number
	26 pin female M27 connector (IP 65)	w/ cable	10 m	230-742E-10m

230-742E-10m
Pin 1 : white
Pin 2 : brown
Pin 3 : green
Pin 4 : yellow
Pin 5 : grey
Pin 6 : pink
Pin 7 : blue
Pin 8 : red
Pin 9 : black
Pin 10 : purple
Pin 11 : pink/brown
Pin 12 : white/pink
Pin 13 : white/green
Pin 14 : brown/green
Pin 15 : white/yellow
Pin 16 : yellow/brown
Pin 17 : white/grey
Pin 18 : grey/brown
Pin 19 : red/blue
Pin 20 : grey/pink
Pin 21 : white/blue
Pin 22 : brown/blue
Pin 23 : white/red
Pin 24 : brown/red
Pin 25 : white/black
Pin 26 : yellow/green
<div style="text-align: center;">  </div> <p data-bbox="683 1720 865 1809"> Pin 26 PE (earth) Pins 24-25 common Pins 1-22 Coil </p>

Sandwich Pressure Regulators

Types: RS / RD / RE / RT

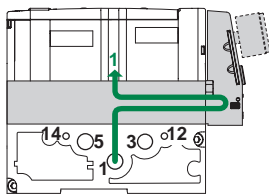
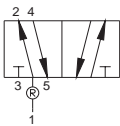
Series 501



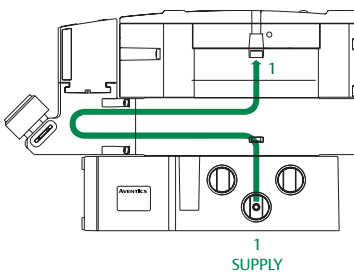
Code
R501ARS52JA0010

External Outlet Regulator
Type RS
Series 501

⚠ No usable for ATEX



Series 502/503



Single pressure from a single supply.

Series 502/503



ISO 15407-2 Interface

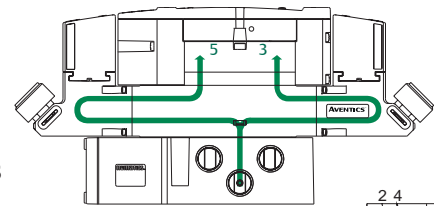


High-flow Interface



External Outlet Regulator
Type RD

Series 502/503



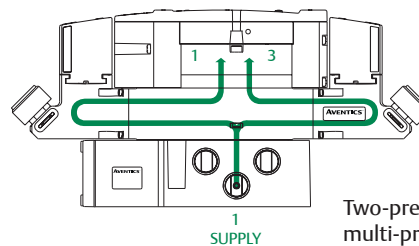
Series 503

⚠ No usable for ATEX

Dual pressure from a single supply.

Type RT

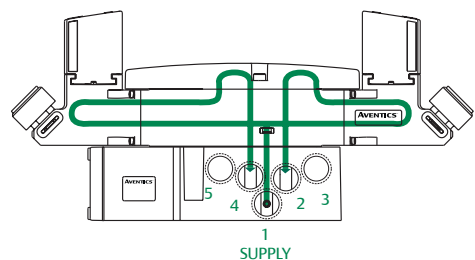
502 Series/503 Series



Two-pressure selector used for multi-pressure applications.

Type RE

Series 502/503



External outlet regulator used with jumper plate for single or dual pressure.

Sandwich Pressure Regulator

Dimensions (mm)

Single Regulator

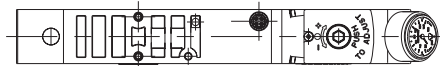
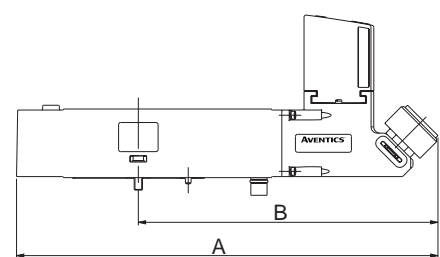
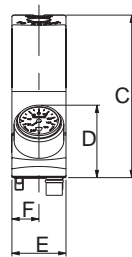
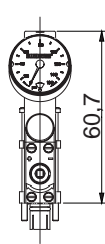
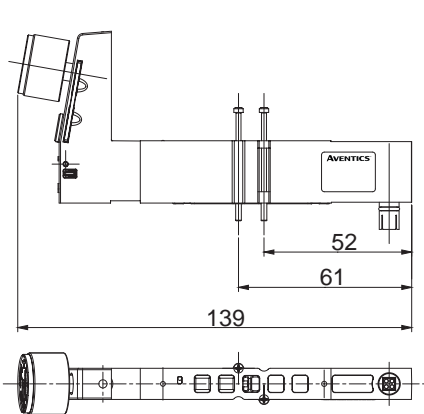
⚠ No usable for ATEX



Series 501



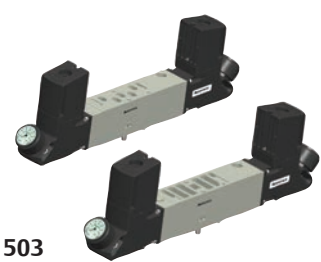
Series 502-503



	A	B	C	D	E	F
502	190.6	139.6	73.5	35.6	23.9	11.95
503	202.7	144.1	78.2	34.8	26	13



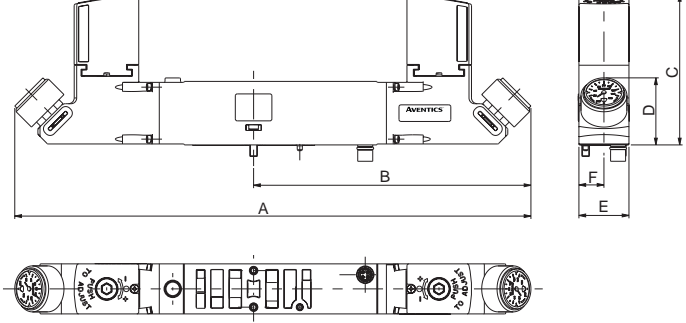
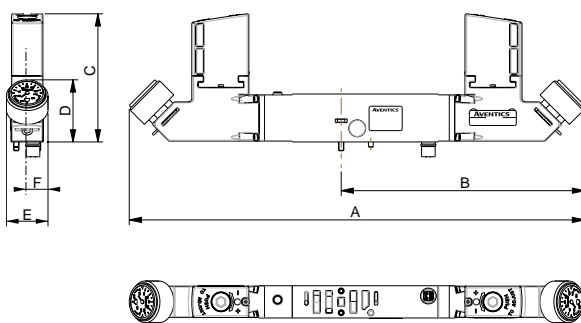
Series 502



Series 503

Double Regulator

⚠ No usable for ATEX



HOW TO ORDER

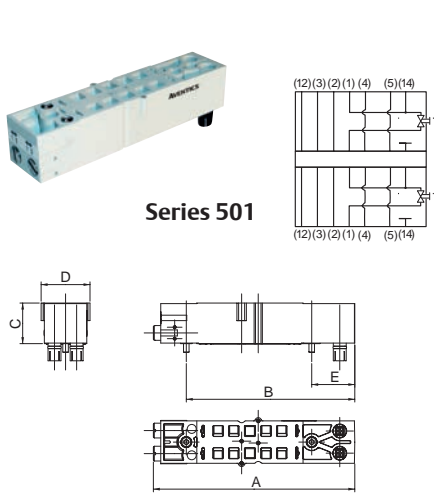
Check the online configurator for available versions on Emerson.com/aventics

	A	B	C	D	E	F
502	261.2	139.6	73.5	35.6	23.9	11.95
503	268.2	144.1	78.2	34.8	26	13

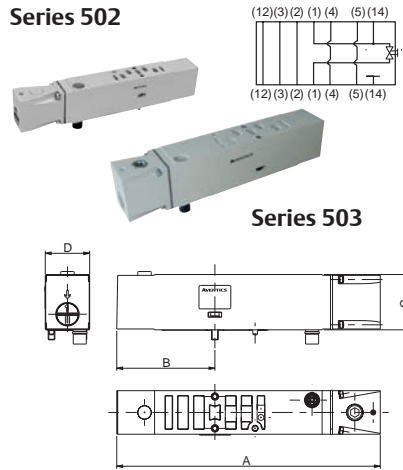
01421CB-2020/R01
Availability, design and specifications are subject to change without notice. All rights reserved.

Sandwich shut off block (Series 501-502-503)

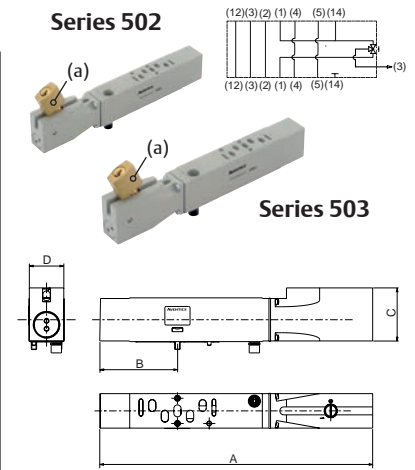
- Used to shut-off pressure to the valve which is mounted above it.
- Allows easy maintenance without the need to shut-off pressure to the whole manifold.
(specified for 2x3/2 NC-NC valve)



Series 501



Series 503



Series 503

Dimensions (mm)

	A	B	C	D
502	171	51	32.7	18.5
503	205.8	58.6	40.5	26

(a) The Lock is in not included with this accessory.

⚠ Usable only for internal pilot supply island

⚠ Pay attention to residual pressures

⚠ The valve(s) should not be energised during disassembly

Dimensions (mm)

	A	B	C	D	E
501	109.2	91.35	22	26.5	23.35
502	147.2	50.5	27.5	18.5	-
503	157.3	58.6	33	26.5	-

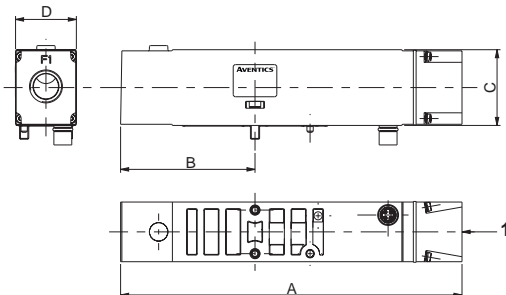
	Catalog number	Description	weight (kg)
501	R501AY428501001	Sandwich shut off block (double)	0.11
502	R502AY429409002	High Flow - Sandwich shut off block	0.145
503	R503AY426707002	ISO 15407-2 - Sandwich shut off block	0.237
502	R502AY429409001	ISO 15407-2 - Sandwich shut off block	0.145
503	R503AY426707001	ISO 15407-2 - Lockable shut off block	0.237
502	R502AY429409004	ISO 15407-2 - Lockable shut off block	0.176
503	R503AY426707003	ISO 15407-2 - Lockable shut off block	0.352

HOW TO ORDER

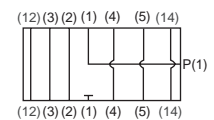
Check the online configurator for available versions on Emerson.com/aventics

Sandwich pressure block (Series 502-503)

- Used to supply a separate pressure to a single valve station without needing blocking disks.



⚠ No usable for ATEX



Dimensions (mm)

	A	B	C	D
502	147.2	50.5	27.5	18.5
503	148.8	58.6	33	26.5

	weight (kg)
502	0.118
503	0.208

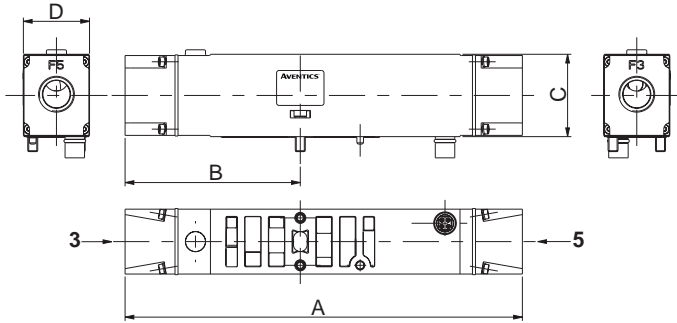
	Catalog number	Port Type	Description
502	G502AW428685004	G 1/4	High Flow Sandwich pressure block
503	G503AW428300004	G 1/4	ISO 15407-2 Sandwich pressure block
502	G502AW428685003	G 1/4	High Flow Sandwich pressure block
503	G503AW428300003	G 1/4	ISO 15407-2 Sandwich pressure block

HOW TO ORDER

Check the online configurator for available versions on Emerson.com/aventics

Sandwich exhaust block (Series 502-503)

- Used to isolate the exhaust of a single valve station from the manifold.
- Allows faster exhaust response by re-routing.
- Exhaust externally to the manifold.



	weight (kg)
502	0.133
503	0.241

HOW TO ORDER

Check the online configurator for available versions on Emerson.com/aventics

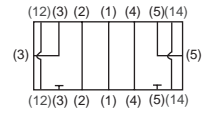
Series 502



⚠ No usable for ATEX



Series 503



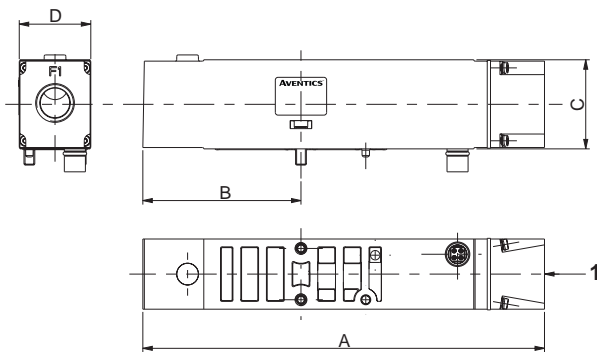
Dimensions (mm)

	A	B	C	D
502	138.4	60.2	27.5	18.5
503	159.2	70.2	33	26.5

	Catalog number	Port Type	Description
502	G502AX428685002	G 1/4	High Flow Sandwich exhaust block
503	G503AX428300002	G 1/4	Sandwich exhaust block
502	G502AX428685001	G 1/4	ISO 15407-2 Sandwich exhaust block
503	G503AX428300001	G 1/4	Sandwich exhaust block

Sandwich individual pilot block (Series 502-503)

- Used to supply a separate piloting external pressure.



	weight (kg)
502	0.118
503	0.208

HOW TO ORDER

Check the online configurator for available versions on Emerson.com/aventics

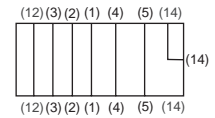
Series 502



⚠ No usable for ATEX



Series 503



Dimensions (mm)

	A	B	C	D
502	147.2	50.5	27.5	18.5
503	148.8	58.6	33	26.5

	Catalog number	Port Type	Description
502	G502AP428685006	G 1/4	High Flow Sandwich individual pilot block
503	G503AP428300006	G 1/4	Sandwich individual pilot block
502	G502AP428685005	G 1/4	ISO 15407-2 Sandwich individual pilot block
503	G503AP428300005	G 1/4	Sandwich individual pilot block

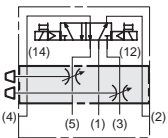
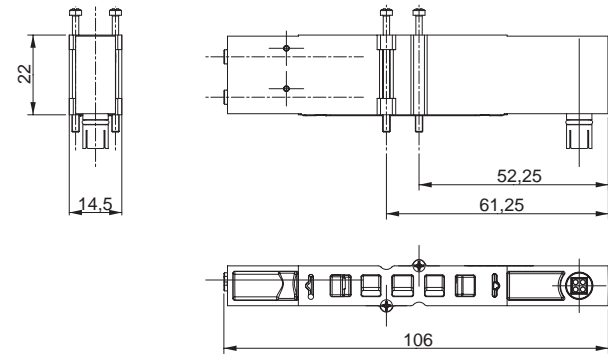
01421GB-2020/R01
Availability, design and specifications are subject to change without notice. All rights reserved.

Sandwich speed control kit (Series 501-502-503)



Series 501

⚠ No usable for ATEX



	weight (kg)
501	0.055
502	0.139
503	0.248

HOW TO ORDER

Check the online configurator for available versions on Emerson.com/aventics

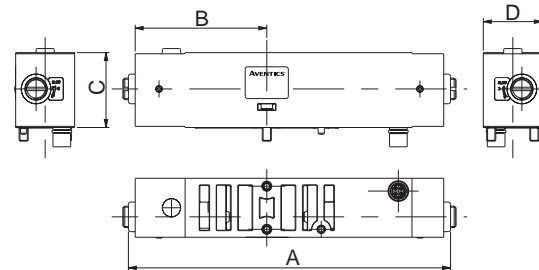
Series 502



⚠ No usable for ATEX



Series 503



Dimensions (mm)

	A	B	C	D
502	124	51	27.5	18.5
503	142	58	33	26

	Catalog number	Description
501	R501AS428500001	Sandwich Speed Control
502	R502AS429395002	High Flow - Sandwich Speed Control
503	R503AS425575002	Sandwich Speed Control
502	R502AS429395001	ISO 15407-2 - Sandwich Speed Control
503	R503AS425575001	ISO 15407-2 - Sandwich Speed Control

Sandwich individual pilot air block per zone (Series 502-503)

- Must be use with subbase with digit 83H and 83J.

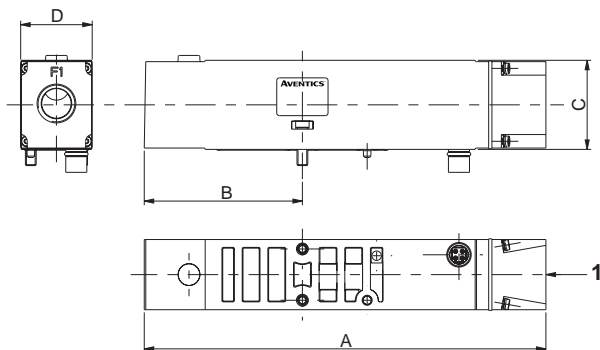
Series 502



⚠ No usable for ATEX



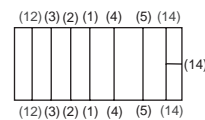
Series 503



	weight (kg)
502	0.118
503	0.208

HOW TO ORDER

Check the online configurator for available versions on Emerson.com/aventics



Dimensions (mm)

	A	B	C	D
502	147.2	50.5	27.5	18.5
503	148.8	58.6	33	26.5

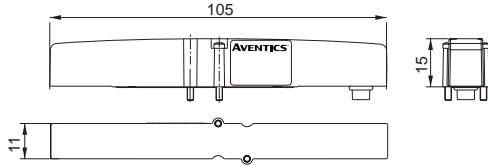
	Catalog number	Port Type	Description
502	G502AP428685008	G 1/4	High Flow Sandwich individual pilot air block per zone
503	G503AP428300008	G 1/4	Sandwich individual pilot air block per zone
502	G502AP428685007	G 1/4	ISO 15407-2 Sandwich individual pilot air block per zone
503	G503AP428300007	G 1/4	ISO 15407-2 Sandwich individual pilot air block per zone

Blank station plate kit (501-502-503 Series)

- Used to block off a manifold station block for future use



Series 501

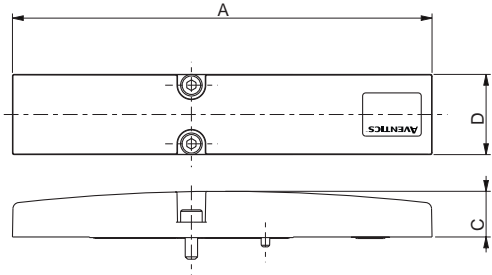


	weight (kg)
501	0.027
502	0.058
503	0.084

Series 502



Series 503



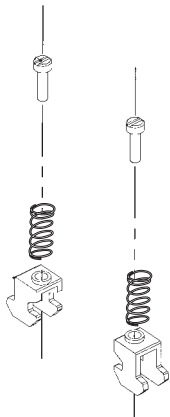
Dimensions (mm)

	A	C	D
502	120	15	18.5
503	136	14.8	26

	Catalog number	Description
501	P501AB429685001	Blank station plate kit
502	P502AB431813001	
503	P503AB428359001	

**DIN Rail Clamp Kit
(Series 501-502-503)**

239-980



Blocking Discs

	Port	Catalog number		
		503	502	501
+	⚠ 1	P503AD431191001	P502AD431914001	P501AD431915001
+	3	P503AD431191002	P502AD431914002	P501AD431915002
+	5	P503AD431191003	P502AD431914003	P501AD431915003
+	1 + 3	P503AD431191004	P502AD431914004	P501AD431915004
+	1 + 5	P503AD431191005	P502AD431914005	P501AD431915005
+	3 + 5	P503AD431191006	P502AD431914006	P501AD431915006
+	1, 3, 5	P503AD431191007	P502AD431914007	P501AD431915007

⚠ 502-503 Series: External pilot only.

01421GB-2020/R01
Availability, design and specifications are subject to change without notice. All rights reserved.

End Plate Kit - Threaded ports

Series 501

w/o muffler



w/ muffler
⚠ No usable for ATEX



Series 502

w/o muffler



w/ muffler
⚠ No usable for ATEX



Thread connection	G			Push-in connectors			
	Port	1	3/5	12/14	1	3/5	12/14
Port Size	1/8	1/8	M7	8 mm	8 mm	M7	
w/o muffler, w/o DIN	G501AK429465009			K501AK429465011			
w/o muffler, w/DIN	G501AK429465010			K501AK429465012			
w/ muffler, w/o DIN	G501AK429465013			K501AK429465015			
w/ muffler, w/DIN	G501AK429465014			K501AK429465016			

Thread connection	G			Push-in connectors			Push-in connectors			
	Port	1	3/5	12/14	1	3/5	12/14	1	3/5	12/14
Port Size	3/8	3/8	1/8	10 mm	10 mm	6 mm	12 mm	12 mm	6 mm	
w/o muffler, w/o DIN	G502AK431477013			K502AK431477017			K502AK431477015			
w/o muffler, w/DIN	G502AK431477014			K502AK431477018			K502AK431477016			
w/ muffler, w/o DIN	G502AK431477019			K502AK431477023			K502AK431477021			
w/ muffler, w/DIN	G502AK431477020			K502AK431477024			K502AK431477022			

Series 503

w/o muffler



w/ muffler



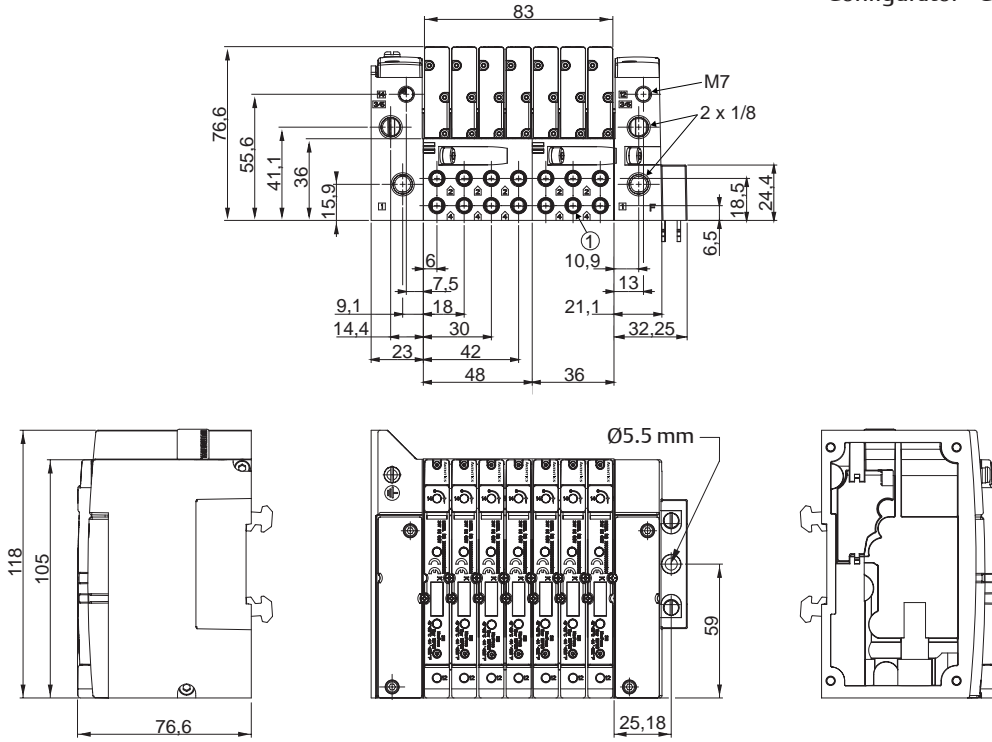
Thread connection	G			Push-in connectors			Push-in connectors			
	Port	1	3/5	12/14	1	3/5	12/14	1	3/5	12/14
Port Size	3/8	3/8	1/8	10 mm	10 mm	6 mm	12 mm	12 mm	6 mm	
w/o muffler, w/o DIN	G503AK428327013			K503AK428327015			K503AK428327017			
w/o muffler, w/DIN	G503AK428327014			K503AK428327016			K503AK428327018			
w/ muffler, w/o DIN	G503AK428327019			K503AK428327021			K503AK428327023			
w/ muffler, w/DIN	G503AK428327020			K503AK428327022			K503AK428327024			

Manifold Assembly

Dimensions (mm)

501

Configurator - CAD Files

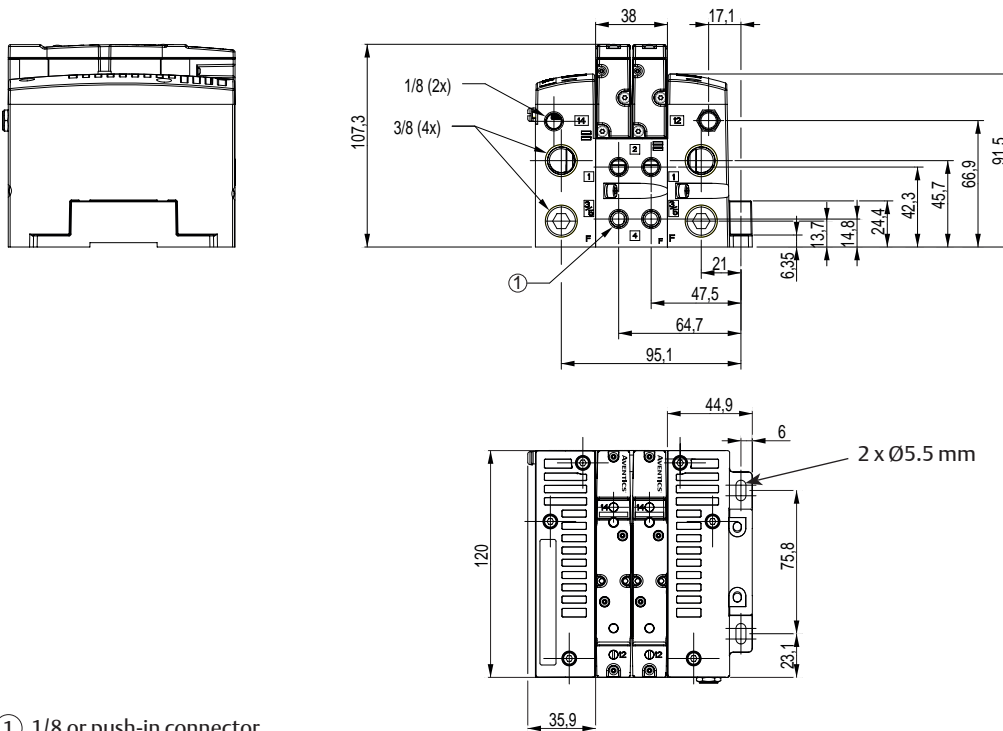


① M7 or push-in connector

weight (kg)
1.85

502

Configurator - CAD Files



① 1/8 or push-in connector

weight (kg)
1.65

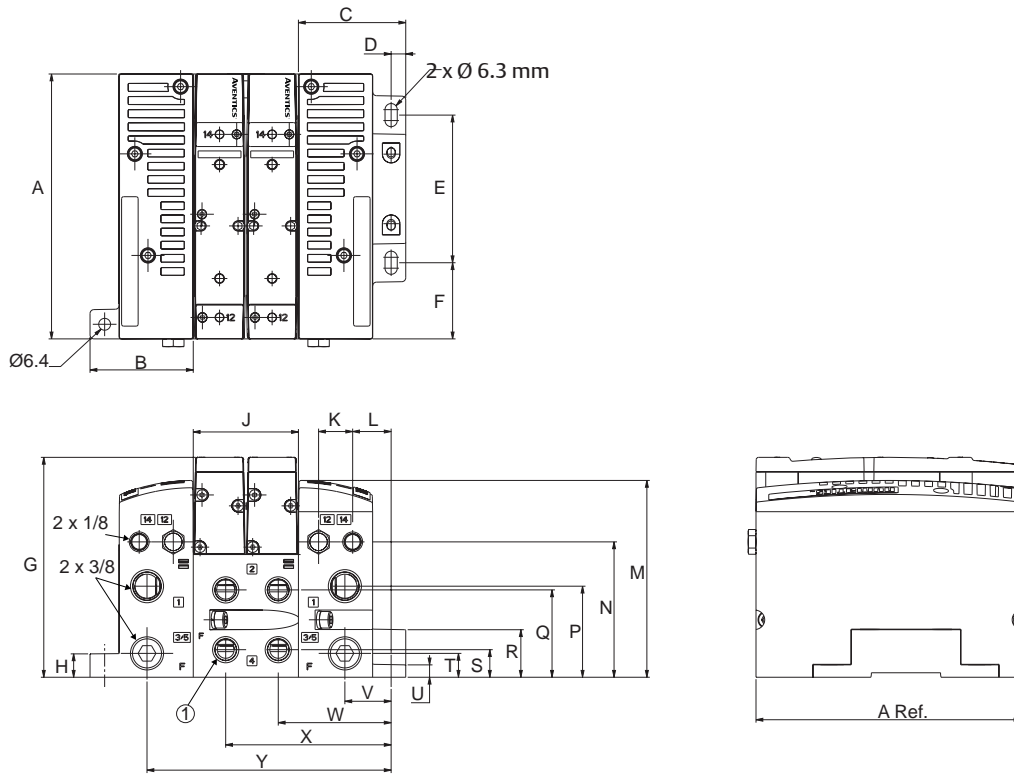
01421GB-2020/R01
Availability, design and specifications are subject to change without notice. All rights reserved.

Manifold Assembly

Dimensions (mm)

503

Configurator - CAD Files



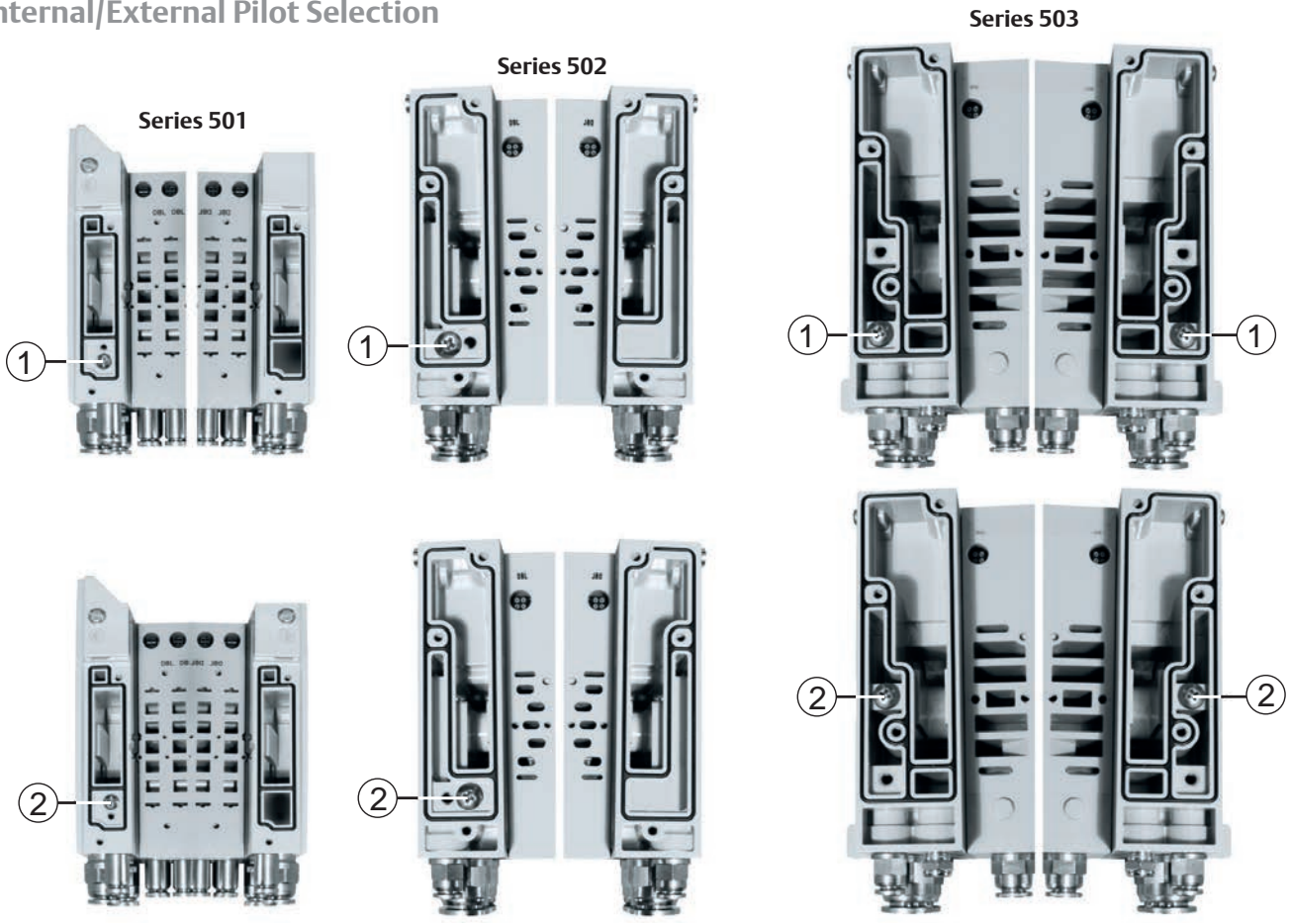
① 1/4 or push-in connector

weight (kg)

2.45

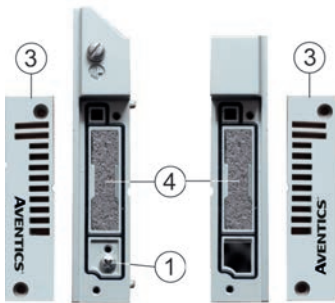
A	B	C	D	E	F	G	H	J	K	L	M	N	P	Q	R	S	T	U	V	W	X	Y
136	53	55.1	7.5	75.8	39.1	112.9	12	54	17.5	19.8	101.1	69.5	46.8	44.9	24.4	14.2	12.3	6.4	23.8	58	85	125.4

Internal/External Pilot Selection



Internal Muffler

Series 501
⚠ No usable for ATEX

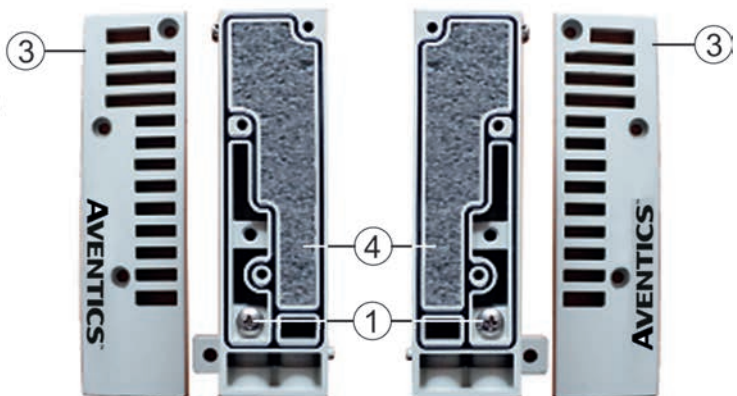


- ① Position of the screw - For Internal Pilot (factory setting)
- ② Position of the screw - For External Pilot
- ③ Vented Cover
- ④ Muffler

Series 502
⚠ No usable for ATEX



Series 503



01421GB-2020/R01
Availability, design and specifications are subject to change without notice. All rights reserved.