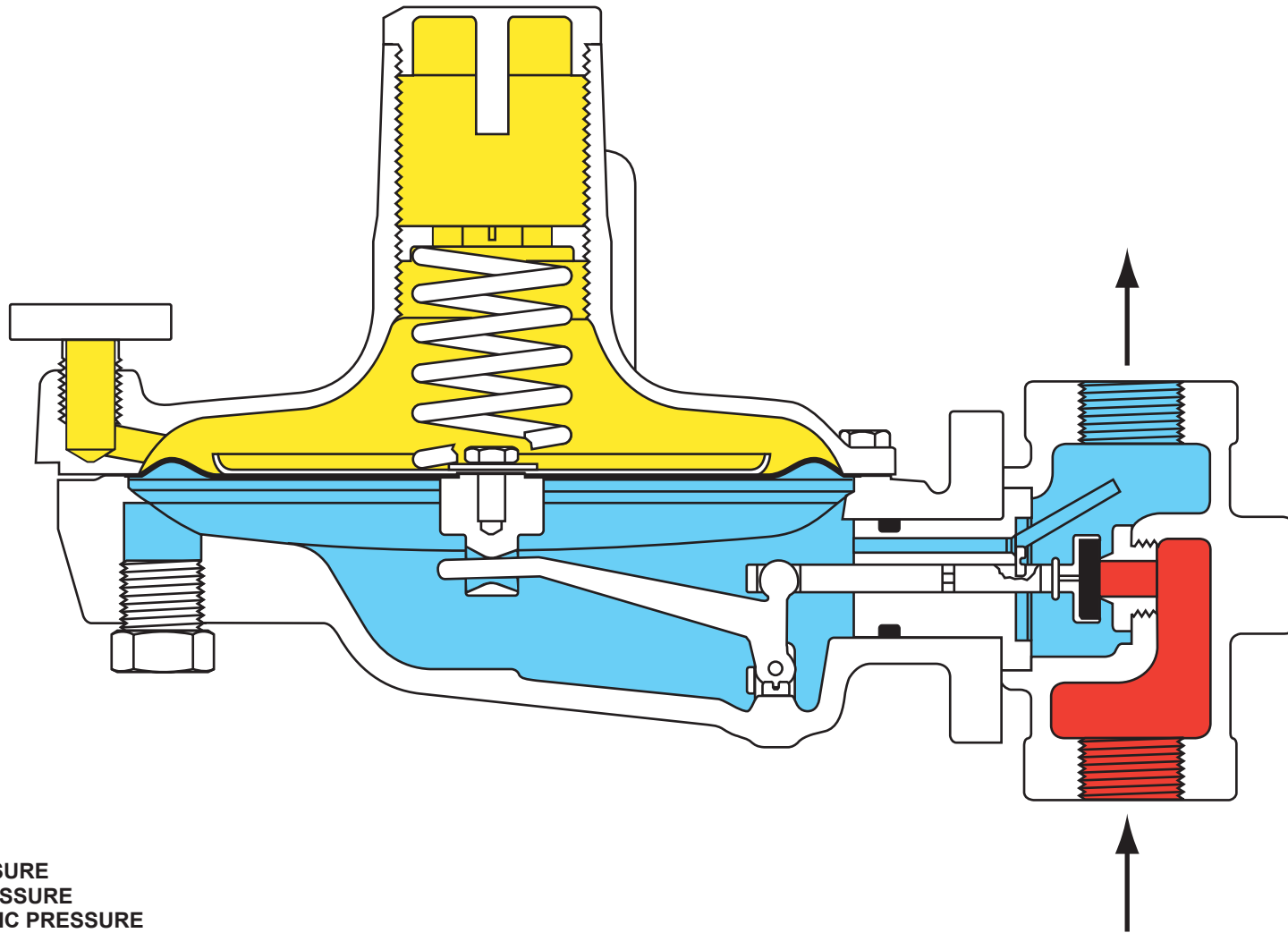


# Type Y600A Pressure Reducing Regulator



- INLET PRESSURE
- OUTLET PRESSURE
- ATMOSPHERIC PRESSURE

B2622