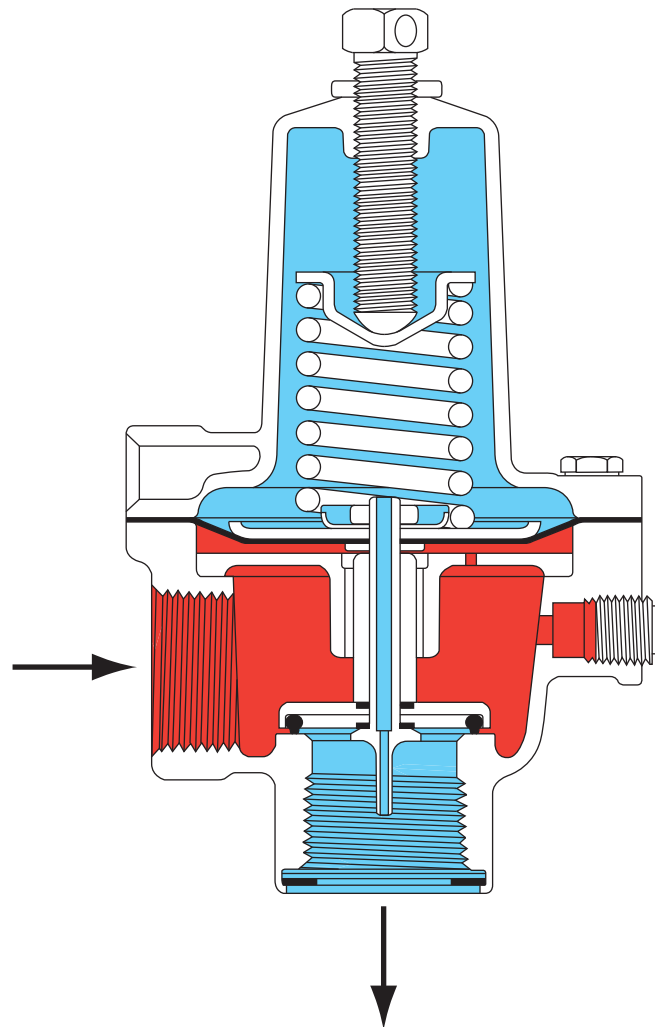


Typical of Type 289HH and 1 In. / DN 25 Type 289H Relief Valves



 INLET PRESSURE
 OUTLET PRESSURE