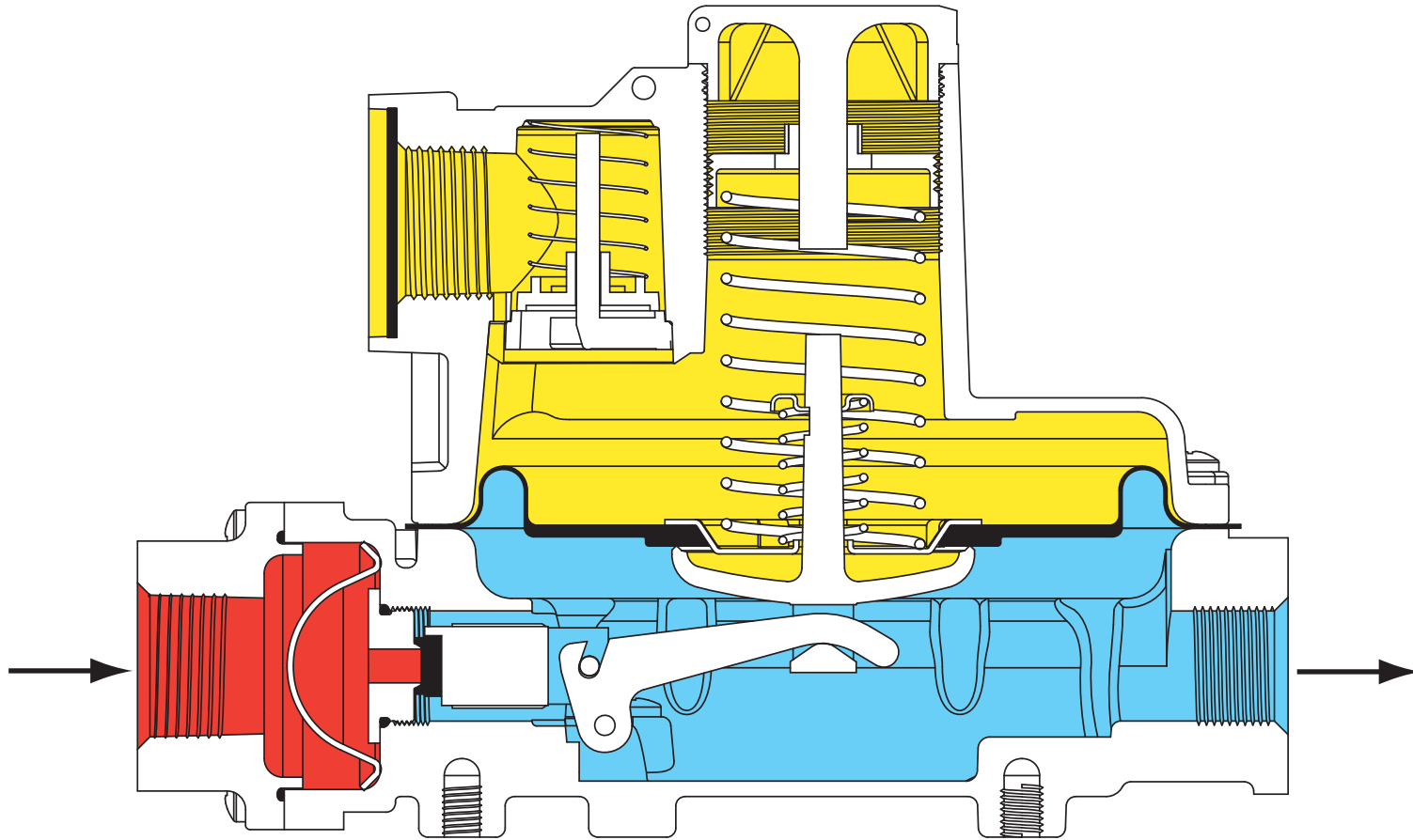


Type R622 Second-Stage Regulator



- █ INLET PRESSURE
- █ OUTLET PRESSURE
- █ ATMOSPHERIC PRESSURE