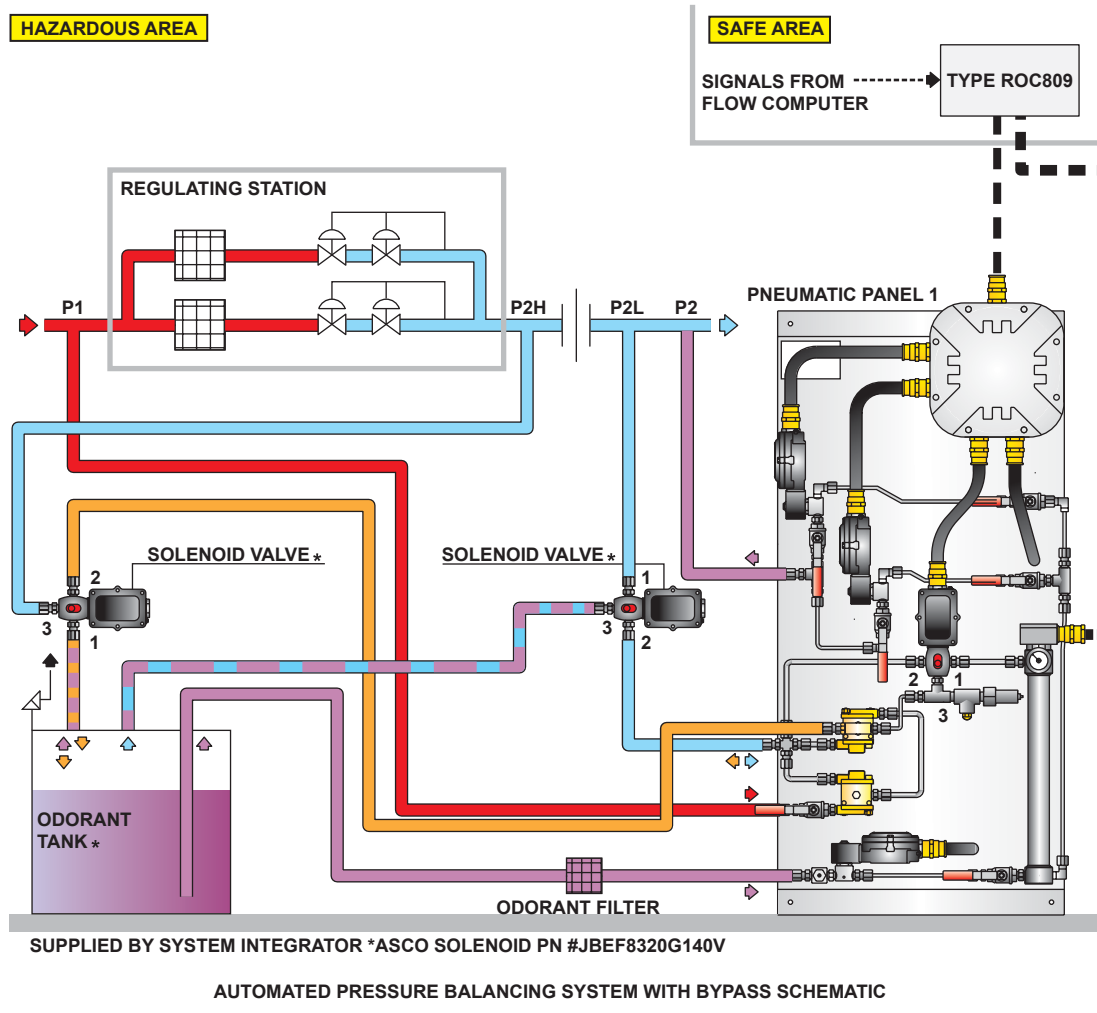


Type Dosaodor Automated Pressure Balancing System with Bypass Schematic



M1226