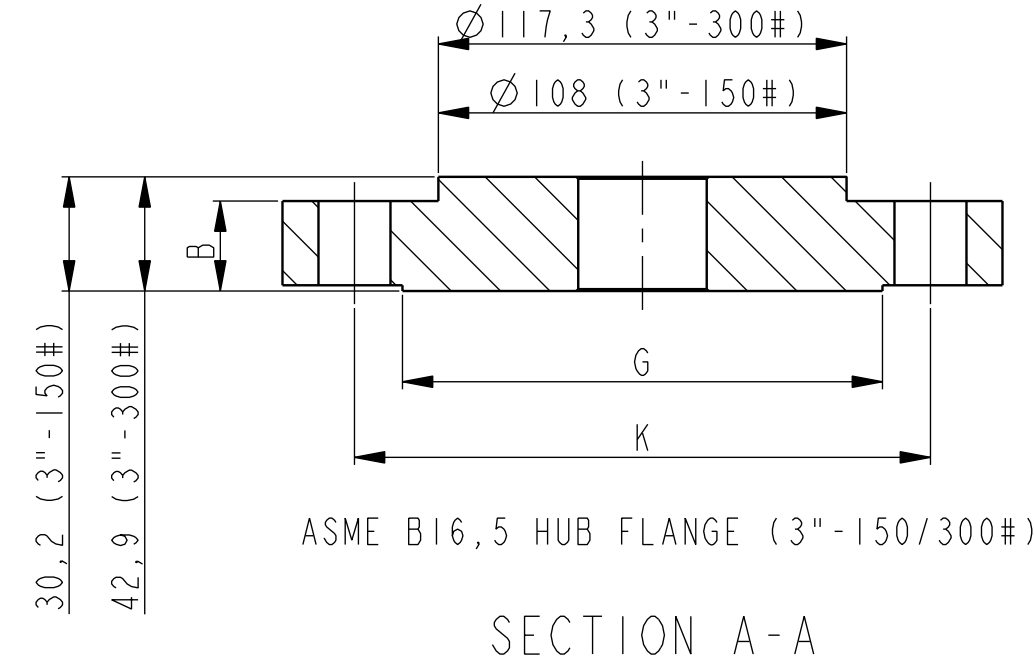
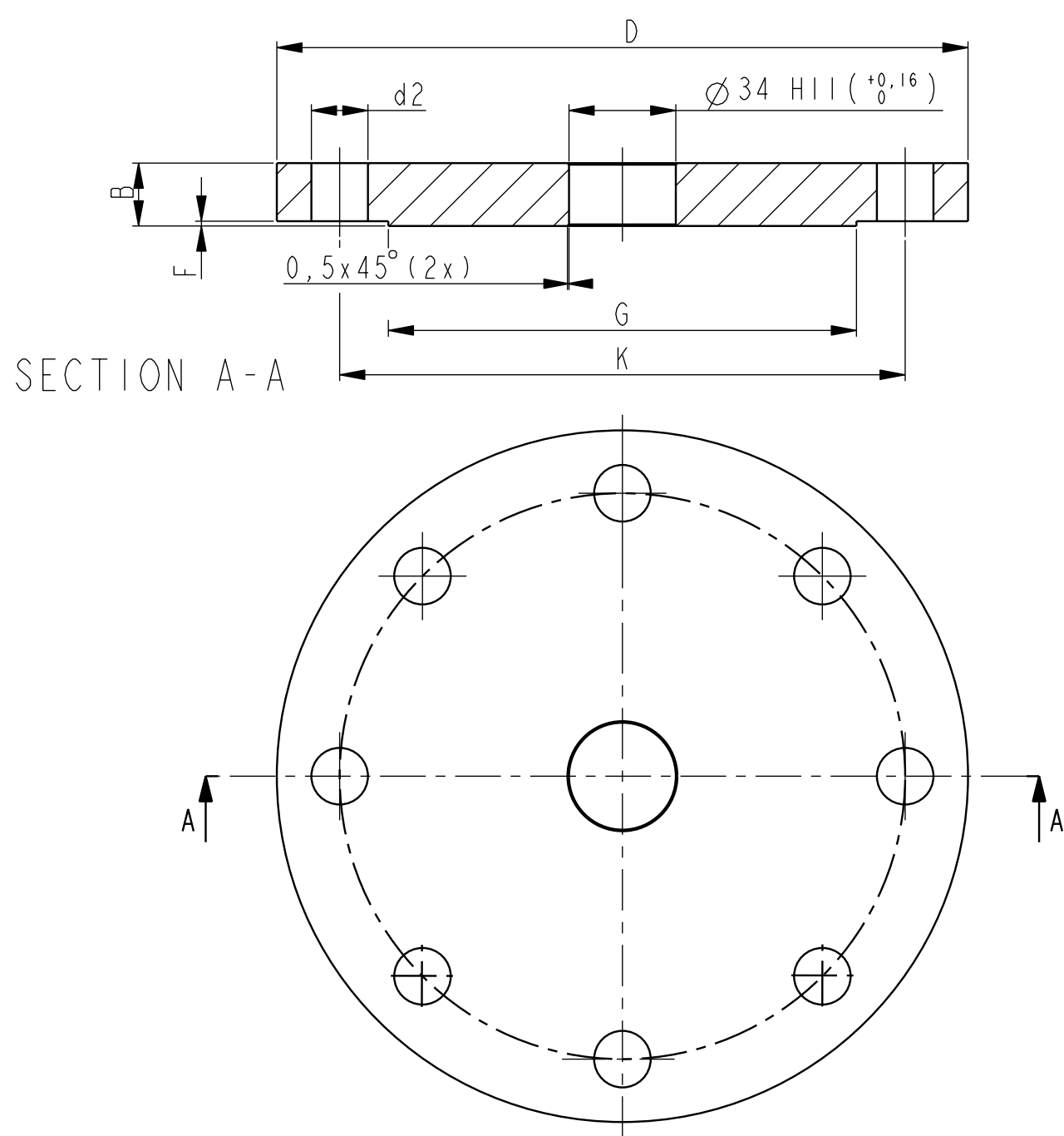


PART NO	TYPE	FLANGE			DRILLING TEMPLATE		RAISED FACE		WEIGHT Kg	FLANGE TYPE	GASKET TYPE	CALCULATED ACC TO:
		ACC TO STANDARD	D	B	K	d2	G	F				
9150074-369	2"-150#	ASME B16.5	Ø152.4	19.05	Ø120.6	Ø19.05-4X	Ø91.9	1.52	2.6		1a	ASME VIII DIVI
9150074-370	2"-300#	SEE NOTE 7	Ø165.1	23.5	Ø127	Ø19.05-8X	Ø91.9	1.52	3.6		1a	ASME VIII DIVI
9150074-350	3"-150#	ASME B16.5	Ø190.5	23.8	Ø152.4	Ø19.05-4X	Ø127	1.52	4.8	HUB	1a	ASME VIII DIVI
9150074-351	3"-300#	ASME B16.5	Ø209.5	28.6	Ø168.3	Ø22.2-8X	Ø127	1.52	6.8	HUB	1a/1b	ASME VIII DIVI
9150074-352	4"-150#	ASME B16.5	Ø228.6	23.8	Ø190.5	Ø19.05-8X	Ø157.2	1.52	6.9		1a/1b	ASME VIII DIVI
9150074-353	4"-300#	ASME B16.5	Ø254	31.8	Ø200	Ø22.2-8X	Ø157.2	1.52	11.6		1a/1b	ASME VIII DIVI
9150074-354	6"-150#	ASME B16.5	Ø279.4	25.4	Ø241.3	Ø22.2-8X	Ø215.9	1.52	11.6		1a	ASME VIII DIVI
9150074-374	DN50 PN40	EN 1092-1	Ø165	20	Ø125	Ø18-4X	NA	NA	3.2	TYPE 05	SEE NOTE 4	EN 13445-3
9150074-358	DN80 PN16	SEE NOTE 8	Ø200	22	Ø160	Ø18-8X	NA	NA	5.2	TYPE 05	SEE NOTE 4	EN 13445-3
9150074-359	DN80 PN40	EN 1092-1	Ø200	24	Ø160	Ø18-8X	NA	NA	5.8	TYPE 05	SEE NOTE 4	EN 13445-3
9150074-360	DN100 PN16	EN 1092-1	Ø220	20	Ø180	Ø18-8X	NA	NA	5.5	TYPE 05	SEE NOTE 4	EN 13445-3
9150074-361	DN100 PN40	SEE NOTE 8	Ø235	26	Ø190	Ø22-8X	NA	NA	8	TYPE 05	SEE NOTE 4	EN 13445-3
9150074-362	DN150 PN16	SEE NOTE 8	Ø285	23	Ø240	Ø22-8X	NA	NA	10.8	TYPE 05	SEE NOTE 4	EN 13445-3
9150074-364	DN200 PN16	SEE NOTE 8	Ø340	27	Ø295	Ø22-12X	NA	NA	18.3	TYPE 05	SEE NOTE 4	EN 13445-3
9150074-371	2 1/2"-150#	ASME B16.5	Ø177.8	22,3	Ø139.7	Ø19.05-8X	Ø104.6	1.52	4.1		1a	TKN
9150074-372	2 1/2"-300#	ASME B16.5	Ø190.5	25,4	Ø149,4	Ø22.35-8X	Ø104.6	1.52	5.1		1a	TKN
9150074-373	4"-600#	ASME B16.5	Ø273	44,4	Ø215.9	Ø25.4-8X	Ø157.2	6.35	18		1a/1b	TKN
9150074-355	6"-300#	ASME B16.5	Ø317.5	36,6	Ø269.9	Ø22.2-12X	Ø215.9	1.52	21.1		1a/1b	ASME VIII DIVI
9150074-356	8"-150#	ASME B16.5	Ø342.9	28,5	Ø298.4	Ø22,2-8X	Ø269.9	1.52	20.8		1a	ASME VIII DIVI
9150074-357	8"-300#	ASME B16.5	Ø381	41,3	Ø330.2	Ø25.4-12X	Ø269.9	1.52	34.9		1b	ASME VIII DIVI
9150074-375	DN65 PN6	EN 1092-1	Ø160	14	Ø130	Ø14-4X	NA	NA	2.2	TYPE 05	SEE NOTE 5	TKN
9150074-376	DN65 PN40	EN 1092-1	Ø185	22	Ø145	Ø18-8X	NA	NA	4.3	TYPE 05	SEE NOTE 5	TKN
9150074-363	DN150 PN40	SEE NOTE 8	Ø300	29	Ø250	Ø26-8X	NA	NA	14.9	TYPE 05	SEE NOTE 4	EN 13445-3
9150074-365	DN200 PN40	SEE NOTE 8	Ø375	40	Ø320	Ø30-12X	NA	NA	32.2	TYPE 05	SEE NOTE 4	EN 13445-3
9150074-366	100A 10K	JIS B2220	Ø210	18	Ø175	Ø19-8X	NA	NA	4.4		SOFT GASKET	TKN
9150074-367	150A 10K	JIS B2220	Ø280	22	Ø240	Ø23-8X	NA	NA	9.9		SOFT GASKET	TKN
9150074-368	200A 10K	JIS B2220	Ø330	22	Ø290	Ø23-12X	NA	NA	13.7		SOFT GASKET	TKN

REVISION	ECO NO.	APP'D	DATE
04	SME-8654	EMe-MH	1605
DESCRIPTION			
Double versions of Issue 03. Revised to Issue 04.			

- EN FLANGES:  
DIMENSIONS AND TOLERANCES ACCORDING TO EN 1092-1 EXCEPT DIMENSION B WHICH IS GIVEN IN TABLE. TOLERANCE +2/-0 FOR DIMENSION B.
- ASME FLANGES:  
DIMENSIONS AND TOLERANCES ACCORDING TO ASME B16.5 EXCEPT DIMENSION B WHICH IS GIVEN IN TABLE.
- GASKET FOR ASME B16.5 FLANGES:  
IF SOFT GASKET (1a) THEN MIN THICKNESS 1.5 mm.
- GASKET ACC TO EN 1514-1, MIN THICKNESS 1.5 mm.
- GASKET ACC TO EN 1514-1, MIN THICKNESS 1.5 mm. OR GASKET ACC TO EN 1514-2
- DIMENSIONS, TOLERANCES AND SURFACE FINISH:  
TO BE DONE ACCORDING TO ASME B16.5, EN 1092-1 OR JIS B2220. GENERAL TOLERANS FOR FLANGE DIMENSION WITHOUT GIVEN TOLERANCE IN STANDARDS ABOVE: ACCORDING TO ISO 2768-1-c
- MARKING:  
MARKING IN ACCORDANCE WITH ASME B16.5, EN 1092-1 OR JIS B2220.  
MARK WITH PART NO.  
TEXT HEIGHT MIN 5 mm.  
TEXT SHALL BE UPRIGHT WHEN THE FLANGE IS ORIENTATED WITH DIAMTER "G" ON DRAWING FACING DOWNWARDS.
- MATERIAL:  
STAINLESS STEEL SA/A182 Gr. F316/F316L AND EN 10222-5-1.4404 (TRIPLE CERTIFICATED MATERIAL)  
MAXIMAL HARDNESS: 237 HBW (HB) OR 22 HRC  
MATERIAL SHALL COMPLY WITH REQUIREMENTS IN NACE MR0103 AND NACE MR0175 / ISO 15156.  
INSPECTION DOCUMENT ACCORDING TO EN 10204 3.1 WITH HARDNESS VALUE INCLUDED.

THE MATERIAL PRODUCER MUST HOLD AN APPROPRIATE QUALITY ASSURANCE SYSTEM (OF AT LEAST ISO 9001), CERTIFIED BY A COMPETENT BODY ESTABLISHED WITHIN THE EUROPEAN COMMUNITY AND HAVE UNDERGONE A SPECIFIC ASSESSMENT FOR MATERIALS. (GUIDELINES WGP 7/2 AND 7/16 FOR DIRECTIVE 97/23/EC (PED)).



D9150074-672	ISSUED BY GU-HF	DRAWN BY 0224	PRODUCT CODE PRO	 BOX 150, 435 23 MÖLNLYCKE, SWEDEN
	APPROVED BY GU-MK	APP'D BY 024	DOC TYPE 0	
	UNLESS OTHERWISE SPECIFIED: ALL DIMENSIONS ARE IN MILLIMETERS. REMOVE ALL BURRS AND SHARP EDGES.			
	MACHINING: ISO 2768 CASTING: ISO 8062 WELDING: EN-ISO 13920	GENERAL TOLERANCES - FINISH: CT 5 ANGLES: A, E	FINISH: 3-2 ANGLES: ±2°	TITLE <b>FLANGE, STAINLESS STEEL</b> CENTRE HOLE Ø34 DRAWING NO. <b>D9150074-672</b>
1 ST ANGLE	SCALE 1:1	SIZE A2	CAD MAINTAINED, (PROF)	ISSUE SHEET 04 / 11

D9150074-672