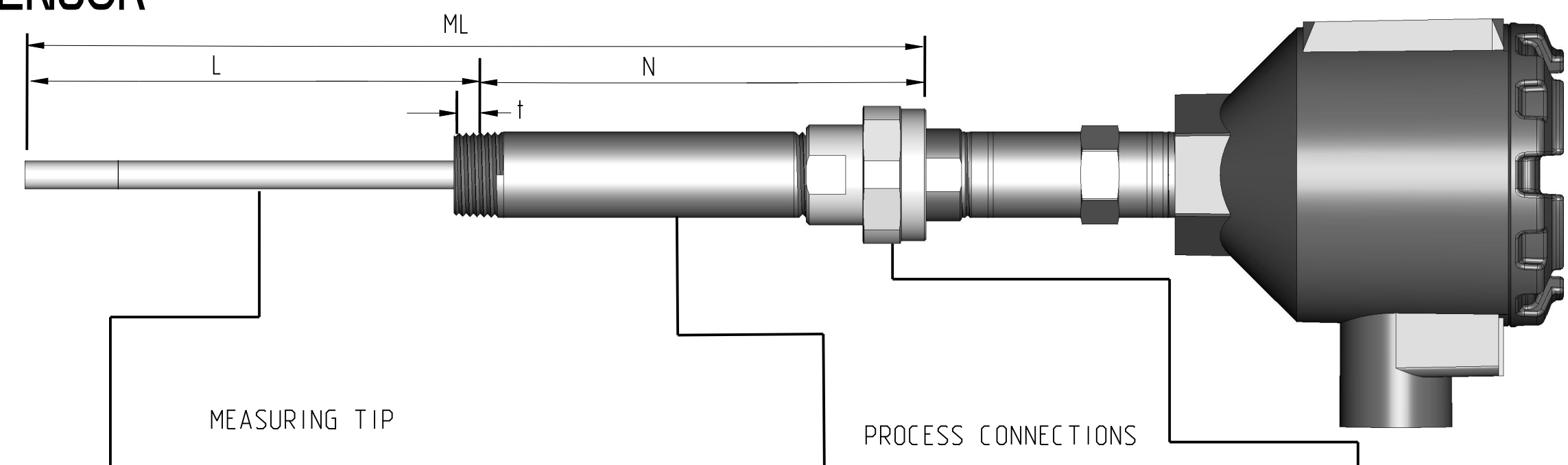
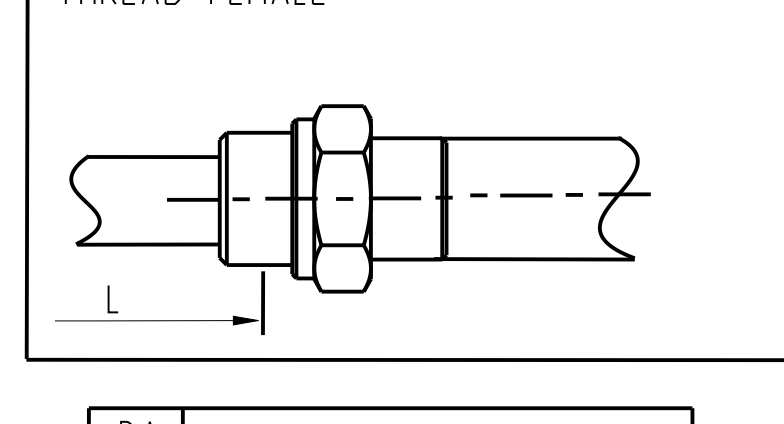
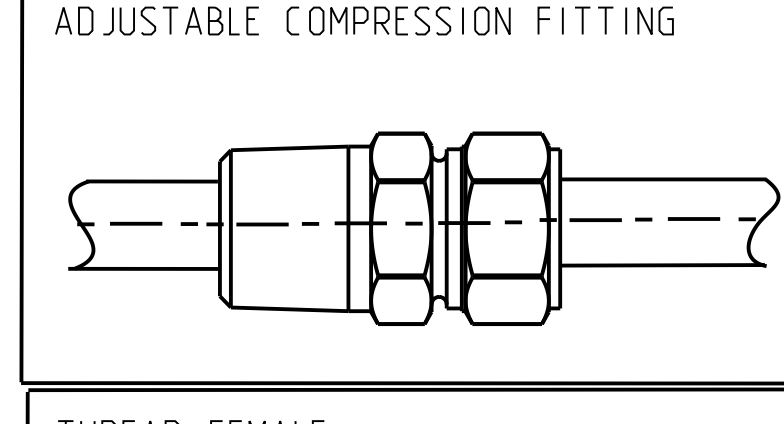
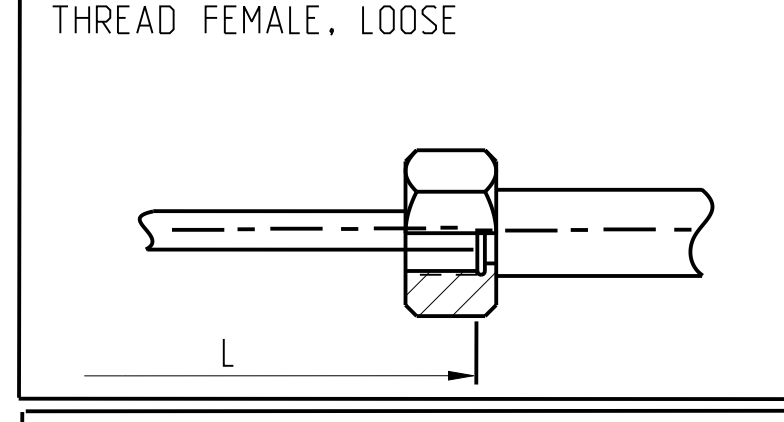
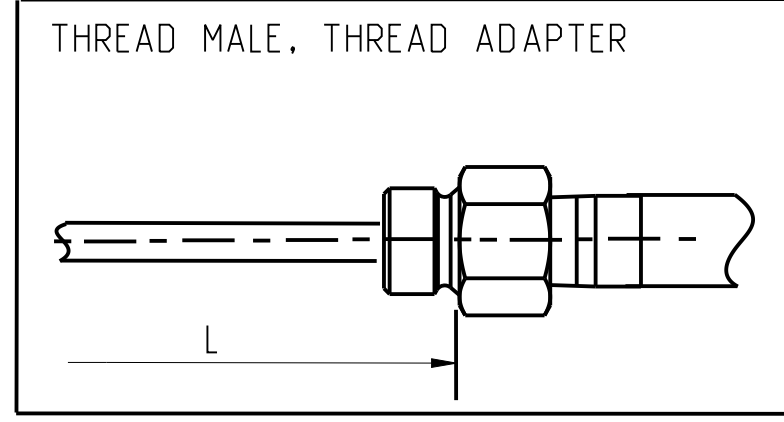
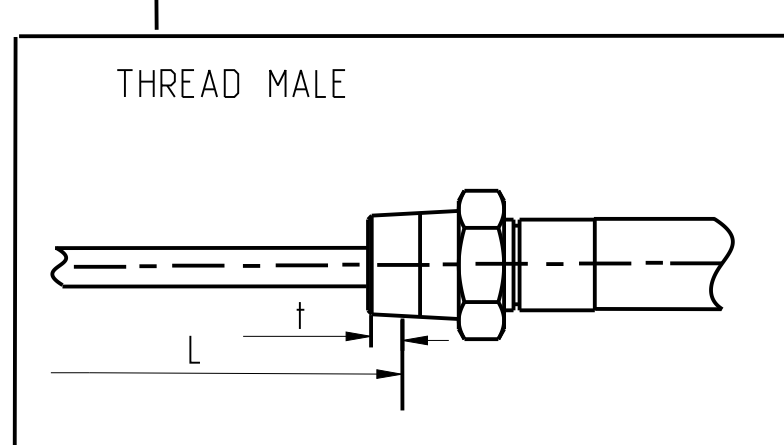
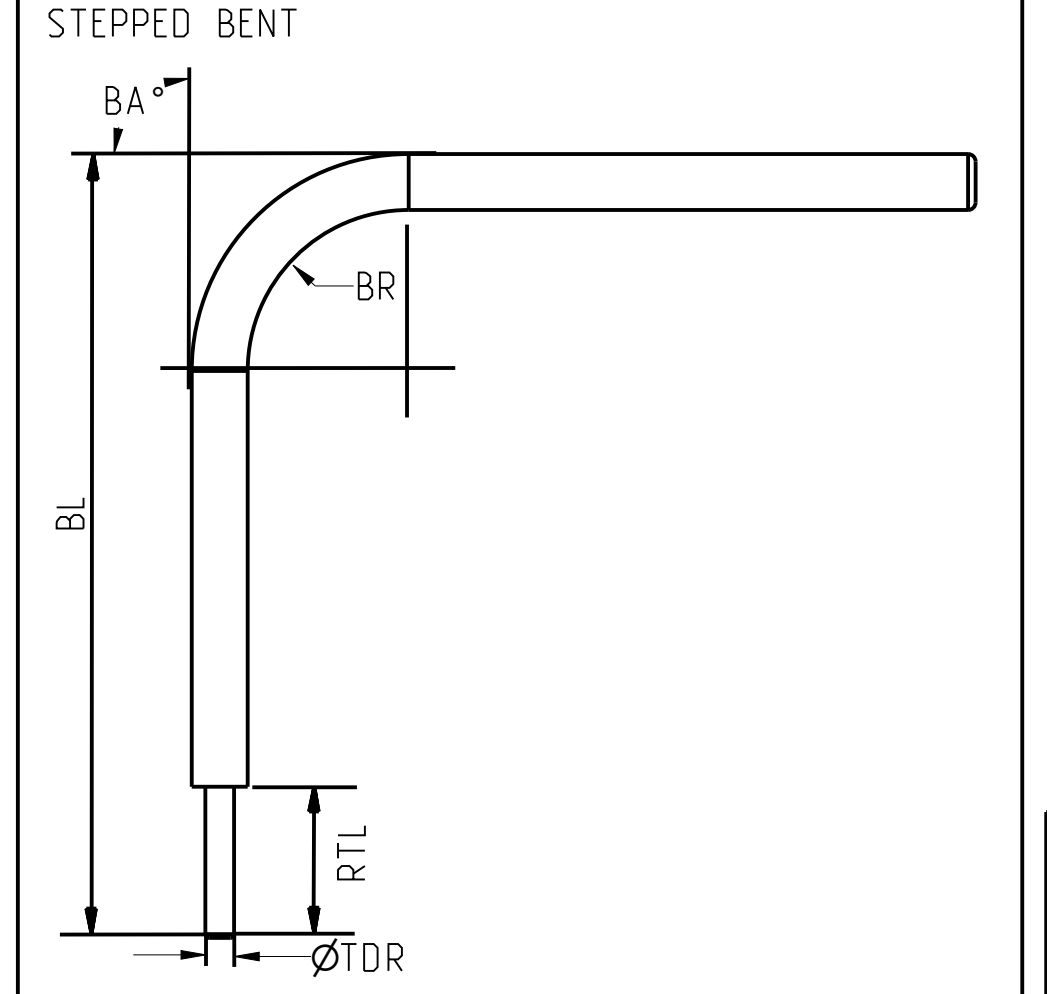
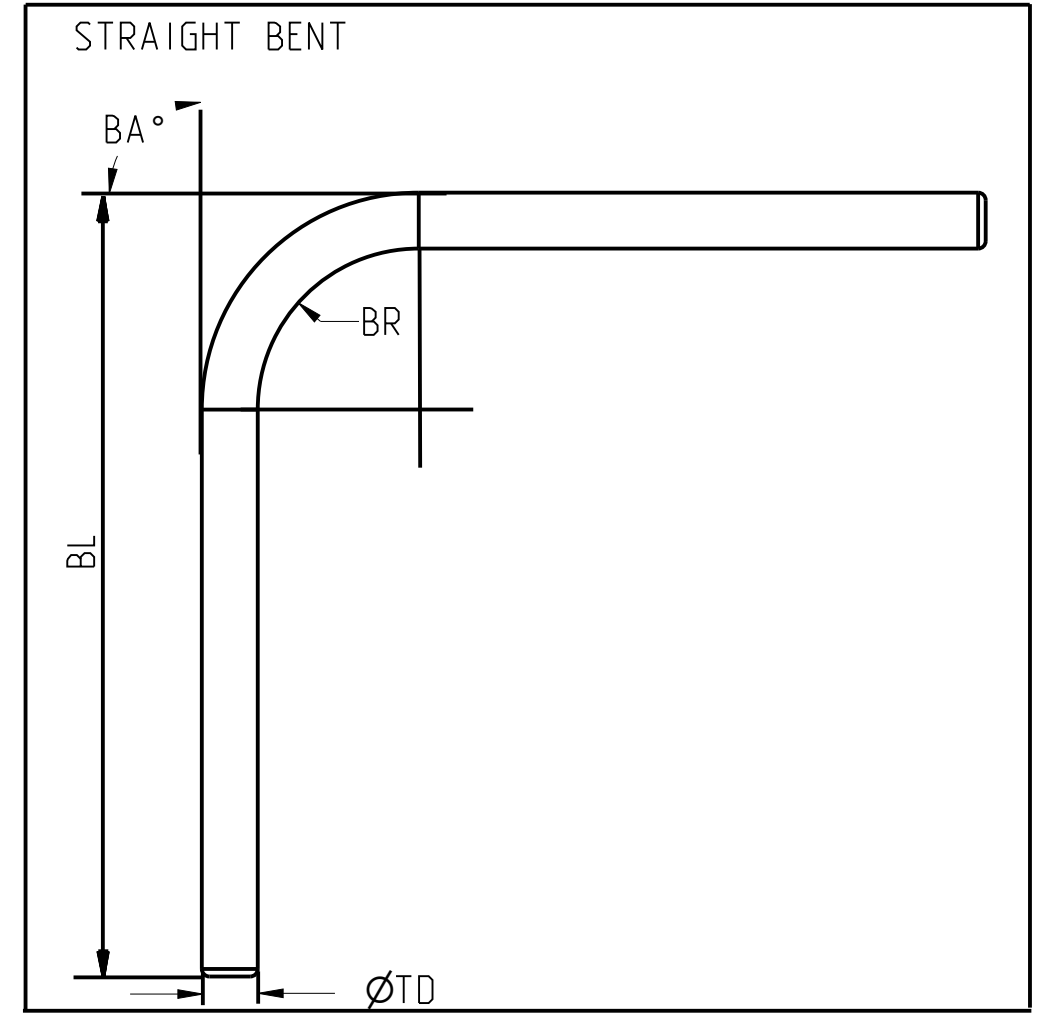
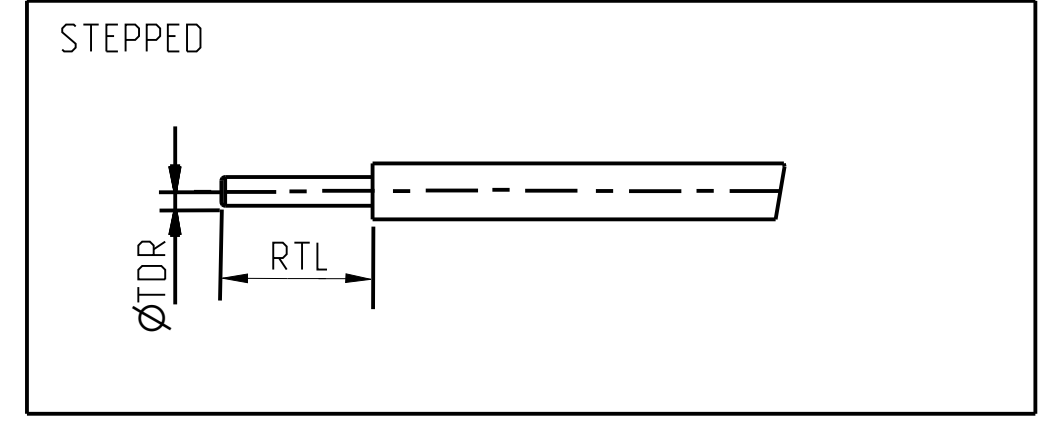
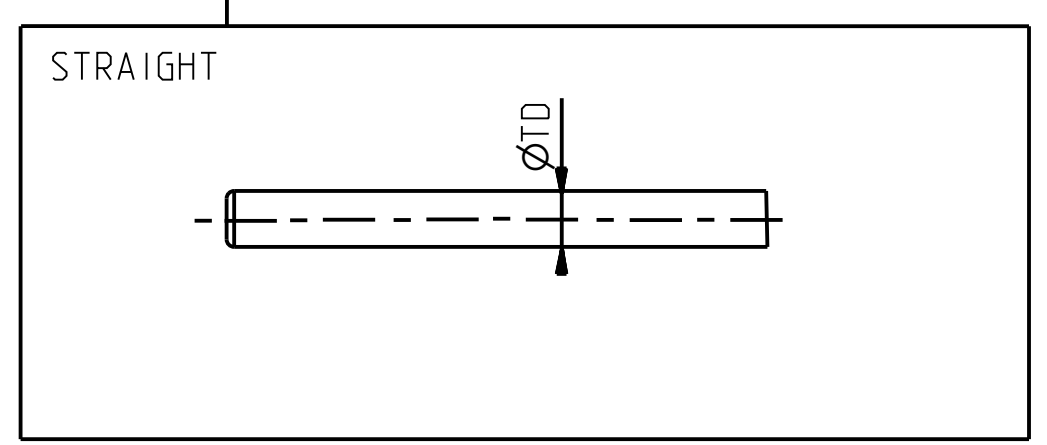
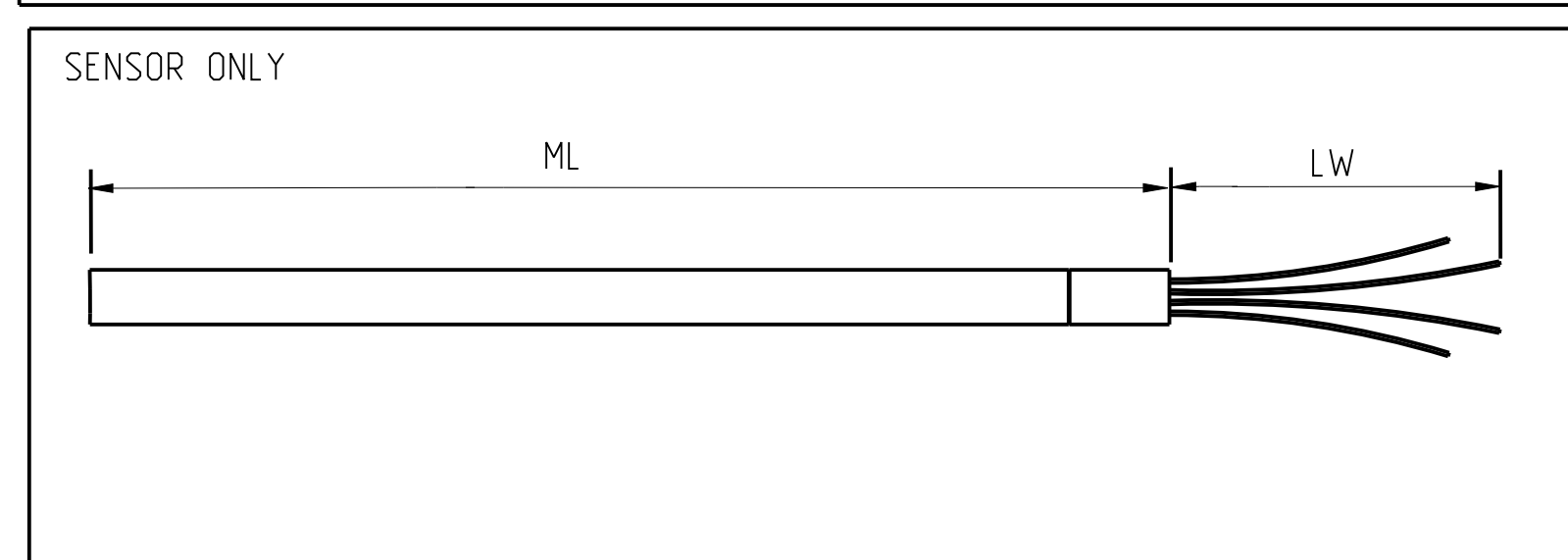
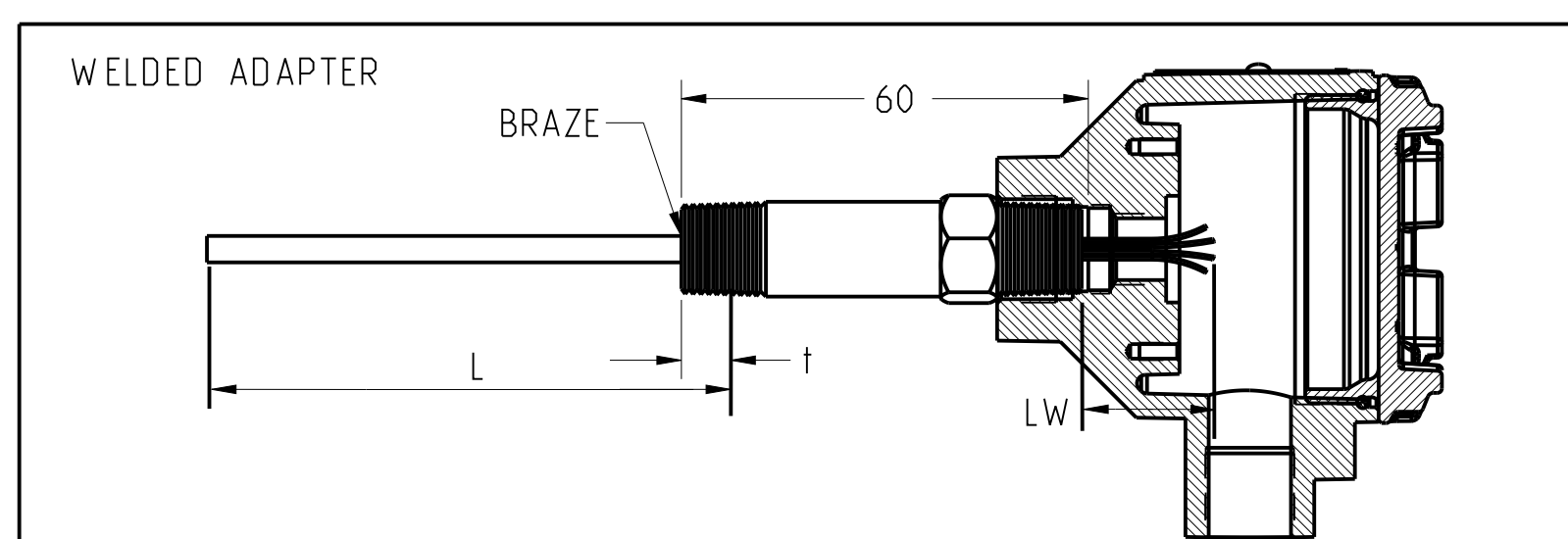
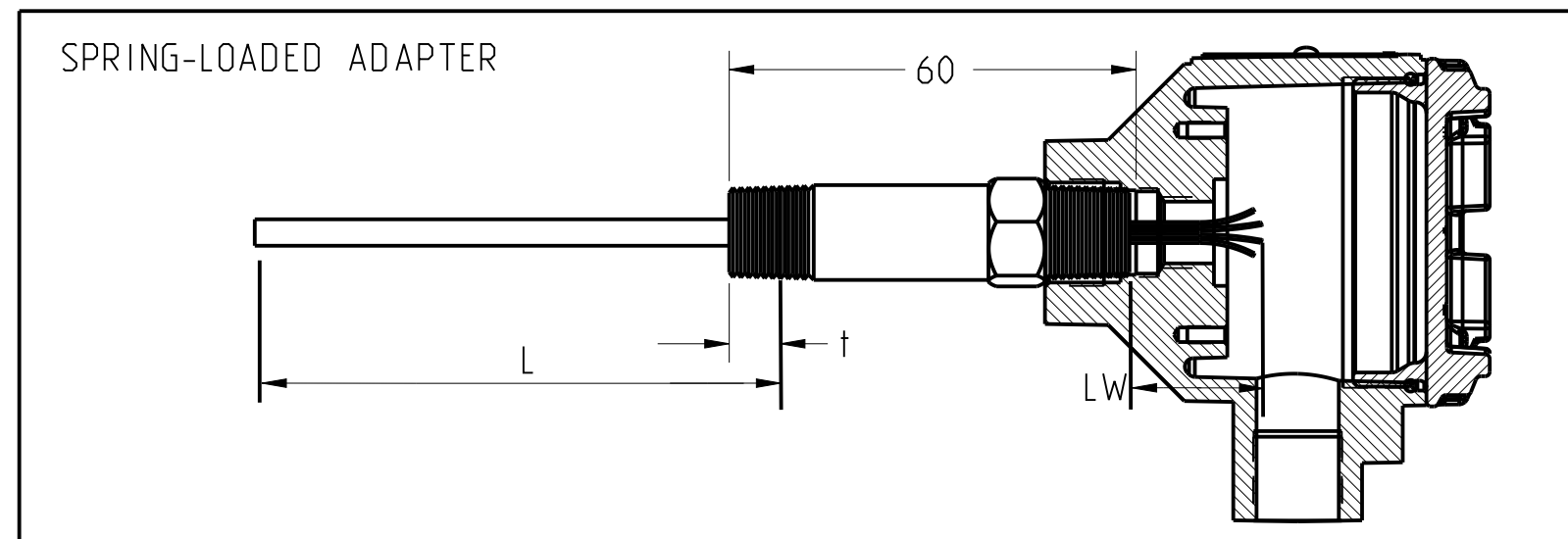
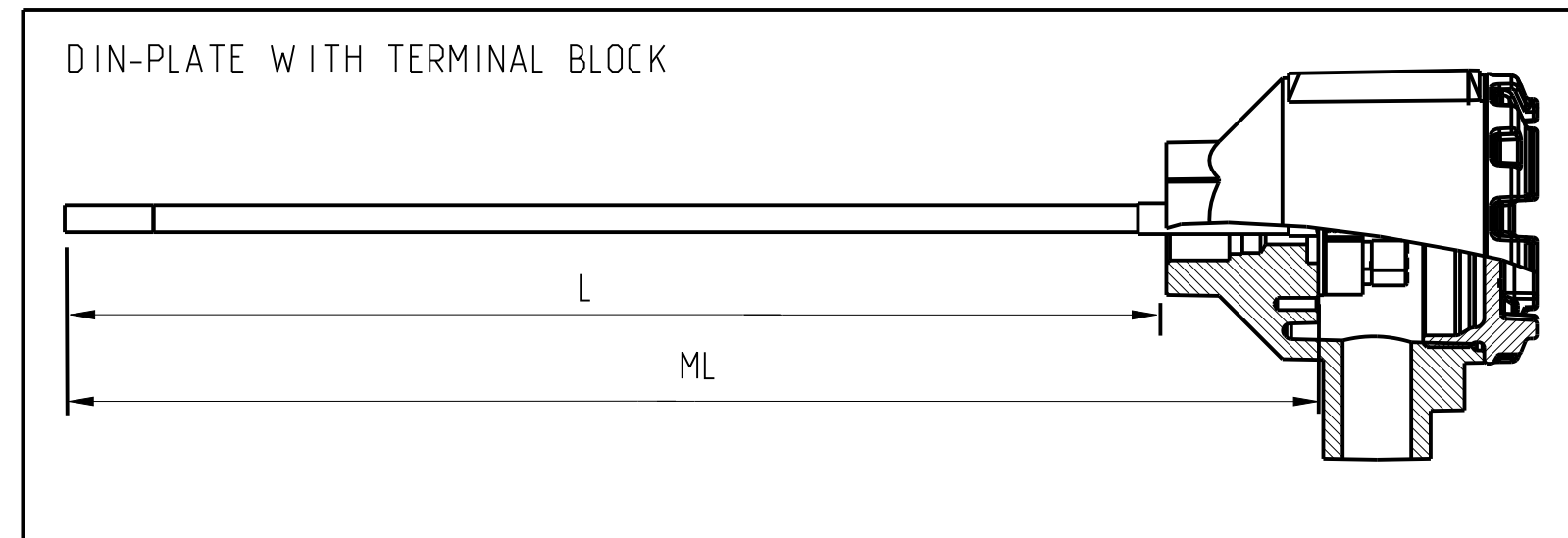
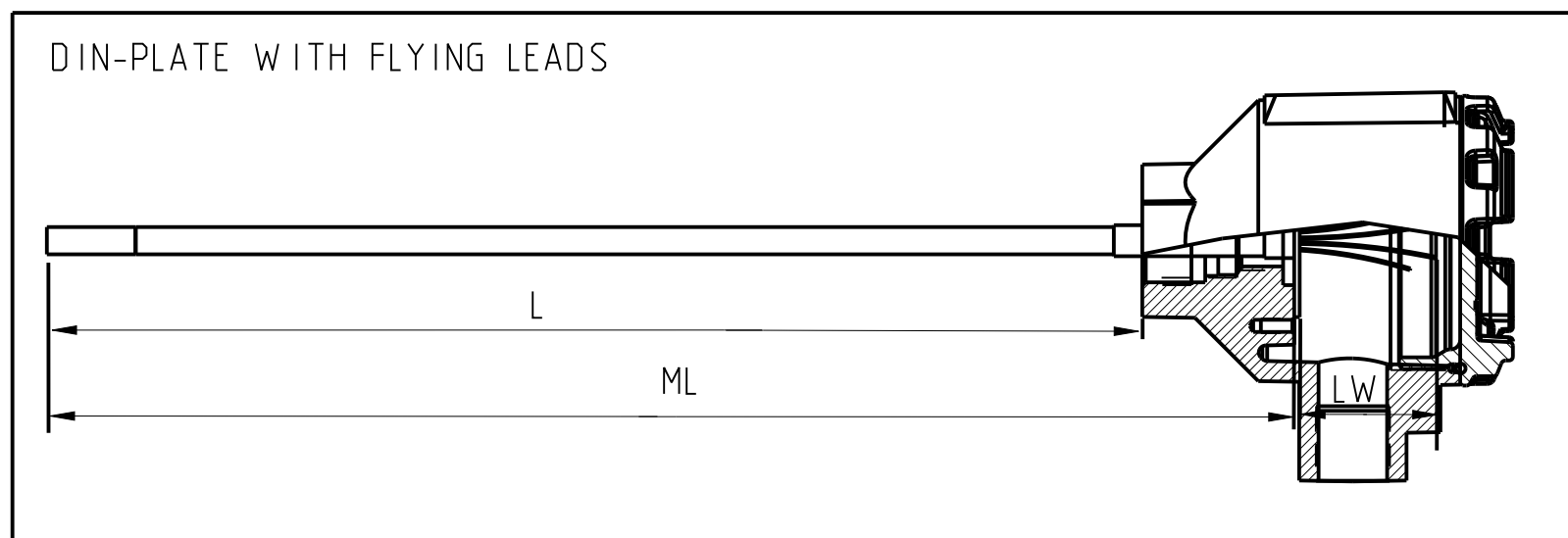


ROSEMOUNT 214A2A TEMPERATURE INDUSTRIAL SENSOR

REVISION TABLE			
REVISION	ECO NO.	APP'D	DATE
AA	RTC1077855	Z. KAISER	8/17/21
DESCRIPTION			
INITIAL DRAWING			

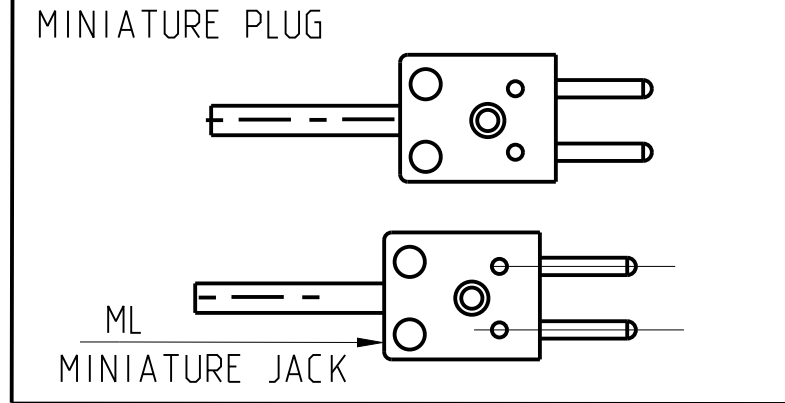
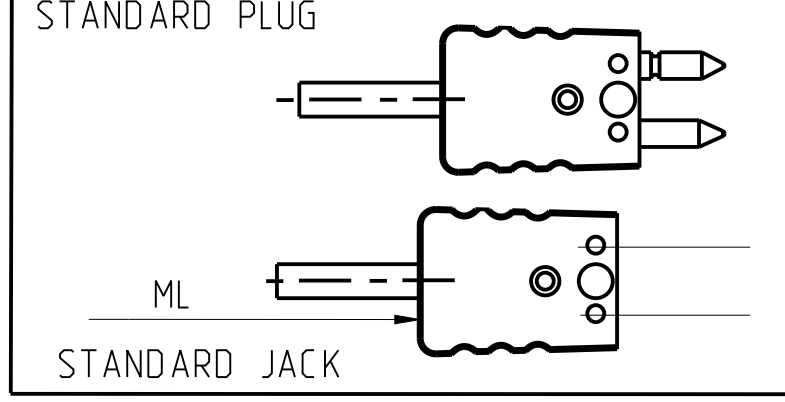
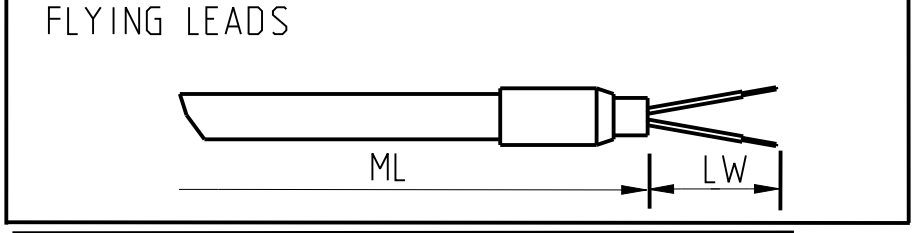
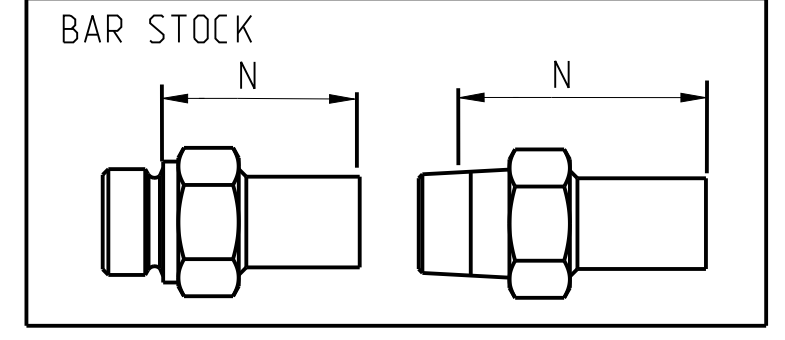
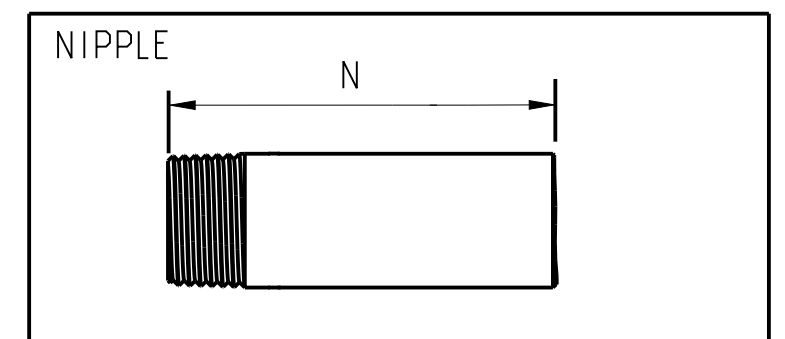
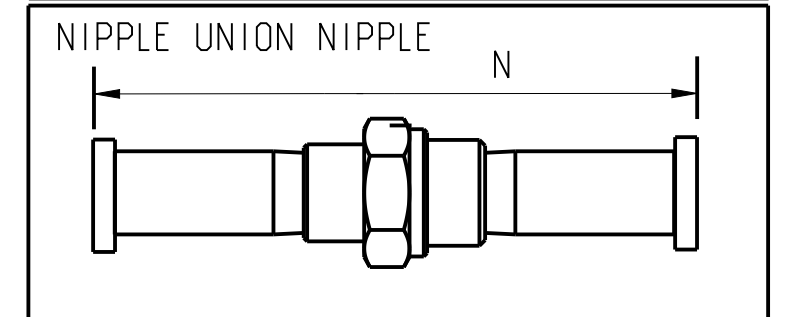
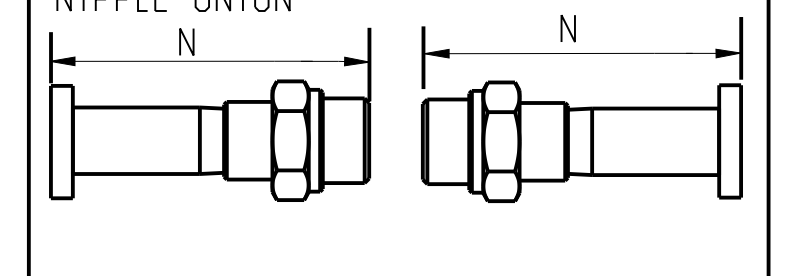
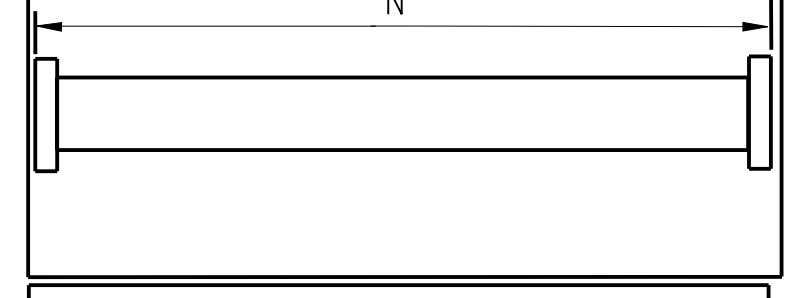
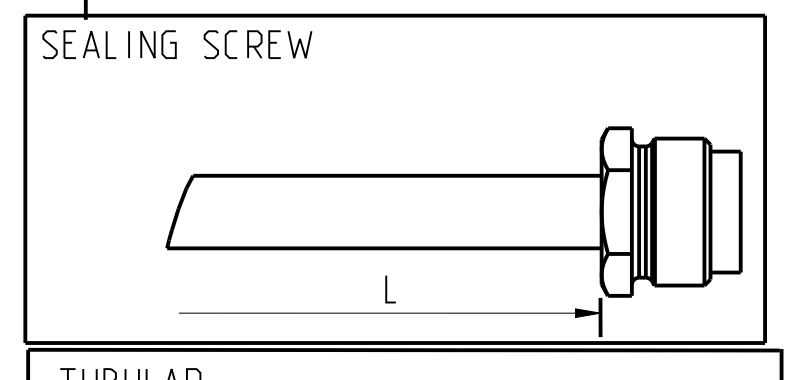


SENSOR MOUNTING STYLE

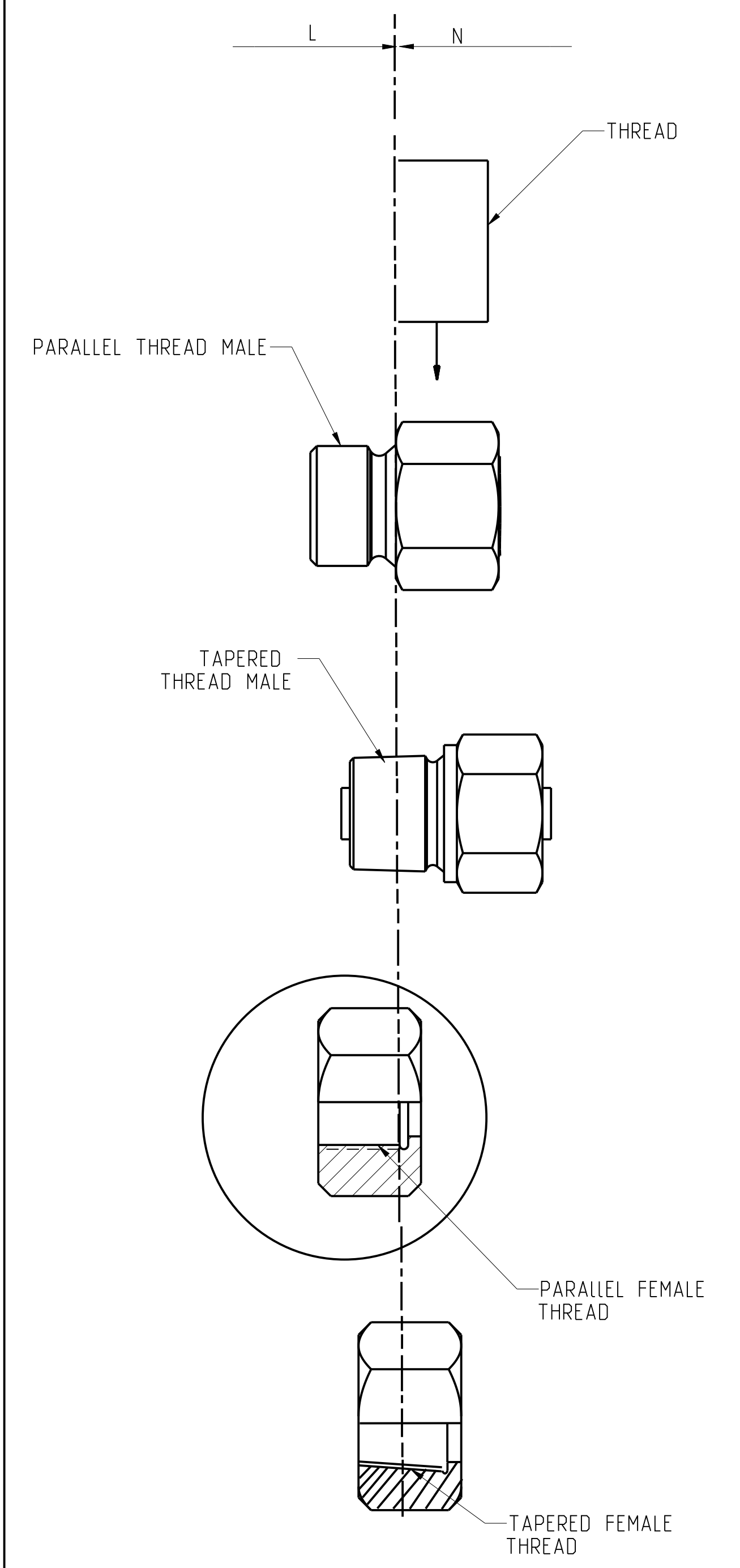


BA	BEND ANGLE
BR	BEND RADIUS
BL	SENSOR BEND LENGTH
LW	FREE LEAD WIRE LENGTH
ML	MEASURING INSERT LENGTH
N	EXTENSION LENGTH
TDR	TIP DIAMETER REDUCED
RTL	REDUCED TIP LENGTH
TD	TIP DIAMETER
L	INSERTION LENGTH

TAPERED THREAD	1, L1 THREAD ENGAGEMENT (MM)	INDUSTRY STANDARD
1/8"-27 NPT	4	ASME B1.20.1
1/4"-14 NPT	5.5	
1/2"-14 NPT	8	
3/4"-14 NPT	8.5	
1"-11.5 NPT	10	



PROCESS CONNECTION DIMENSIONING



CONFIDENTIAL AND PROPRIETARY INFORMATION IS CONTAINED HEREIN AND MUST BE HANDLED ACCORDINGLY.

SURFACE FINISH UNLESS OTHERWISE SPECIFIED: ✓ 3RD ANGLE

UNLESS OTHERWISE SPECIFIED DIMENSIONS IN MILLIMETERS (MM). REMOVE ALL BURRS AND SHARP EDGES.

EMERSON ROSEMOUNT

TITLE: ROSEMOUNT 214A2A TYPE I DRAWING

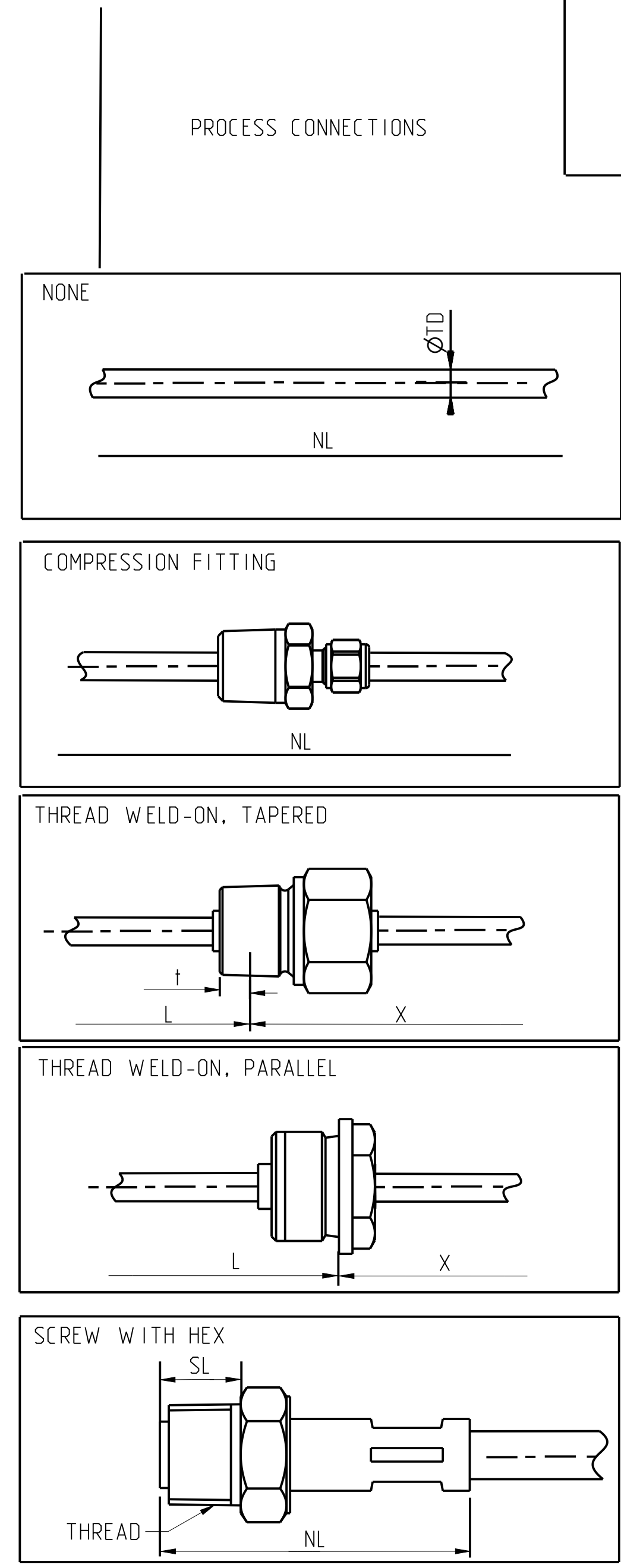
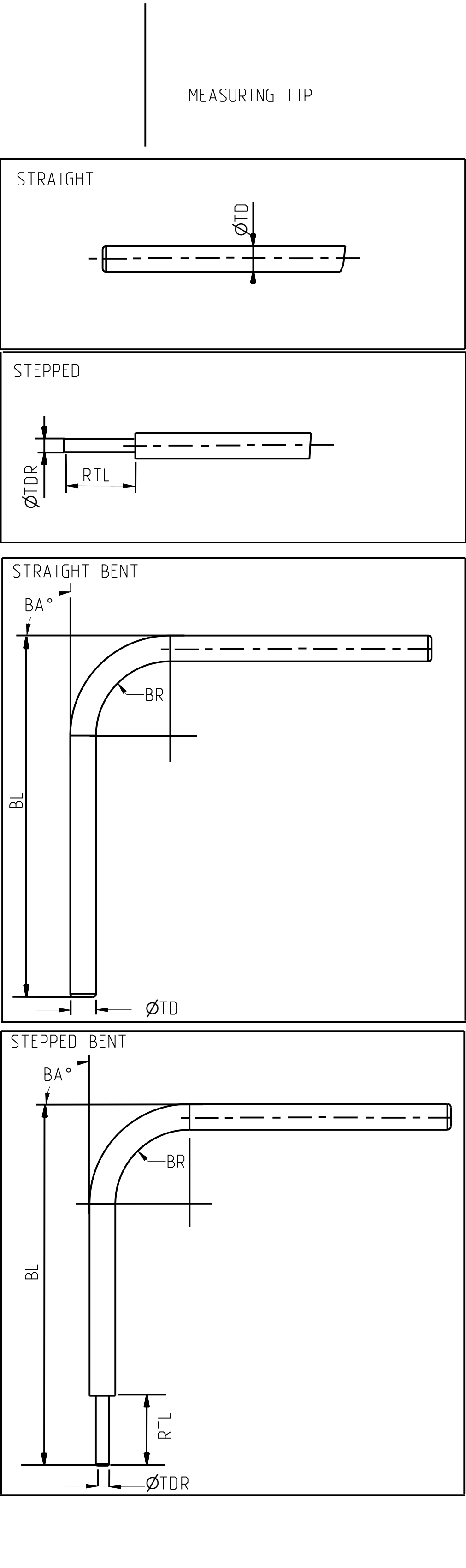
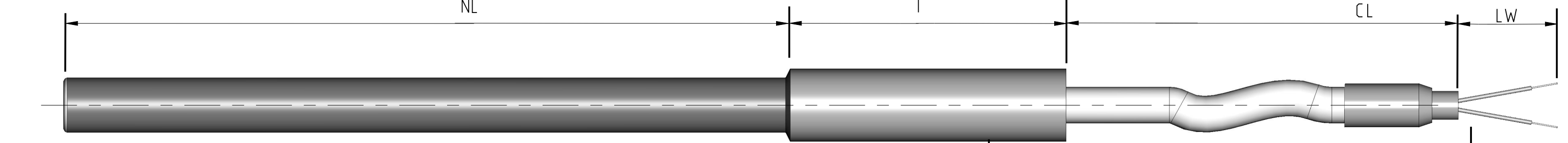
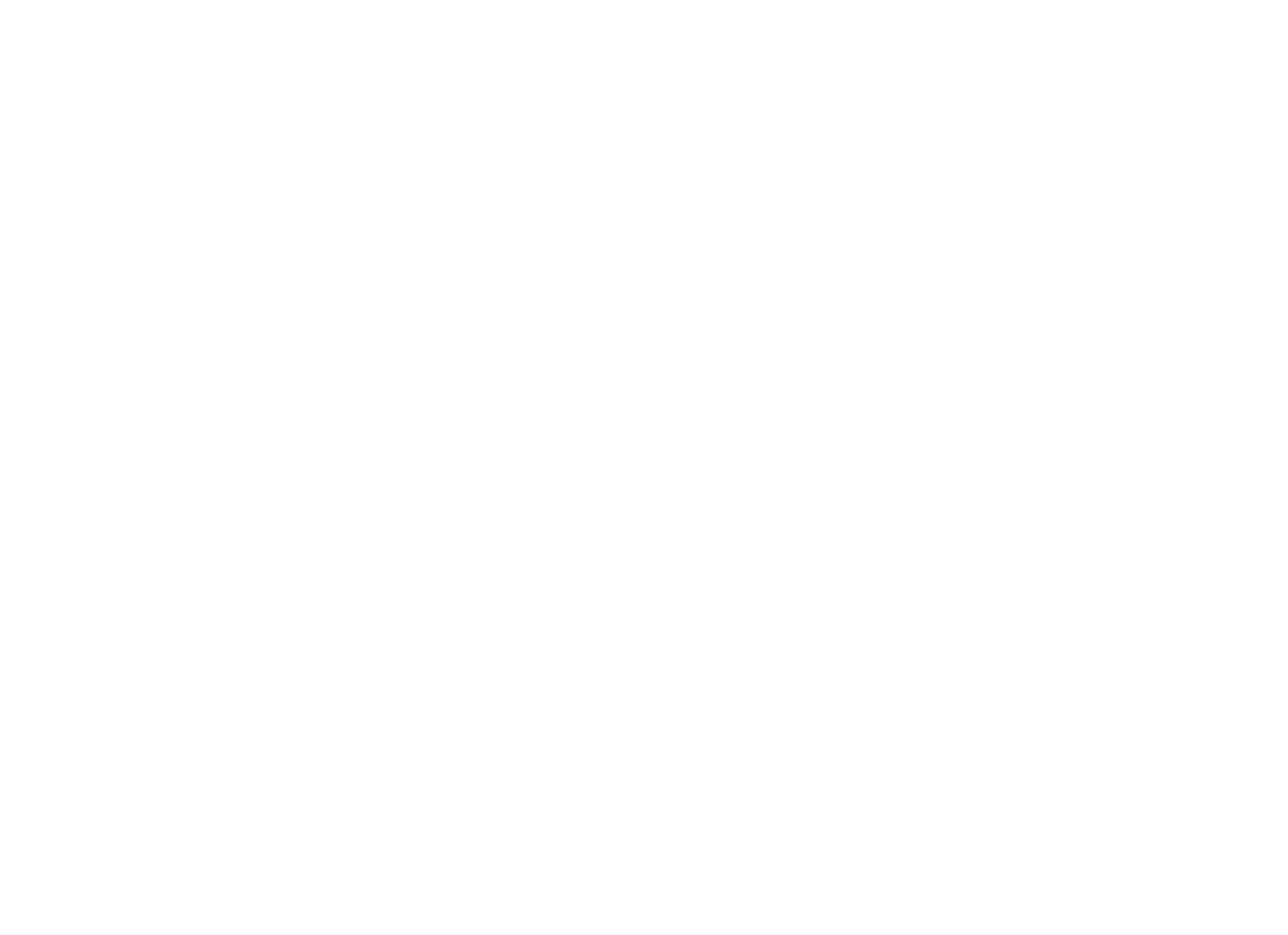
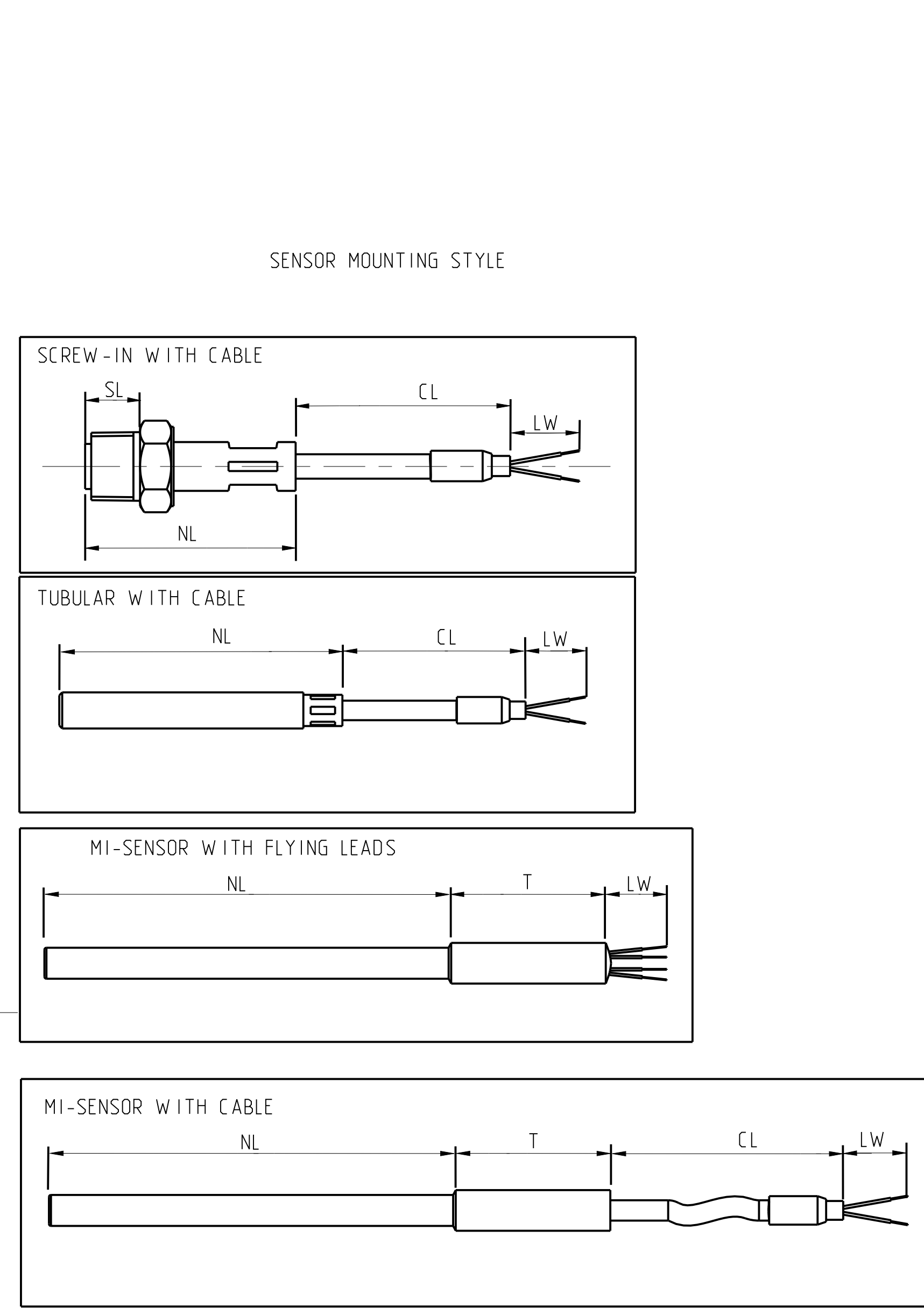
DR. J. ARMSTRONG 8/17/21 DRAWING NO. 00214-7001

APP'D Z. KAISER 8/17/21

DO NOT SCALE PRINT CAD MAINTAINED, (PRO/E) PRODUCT CODE DOC TYPE SHEET 1 OF 4

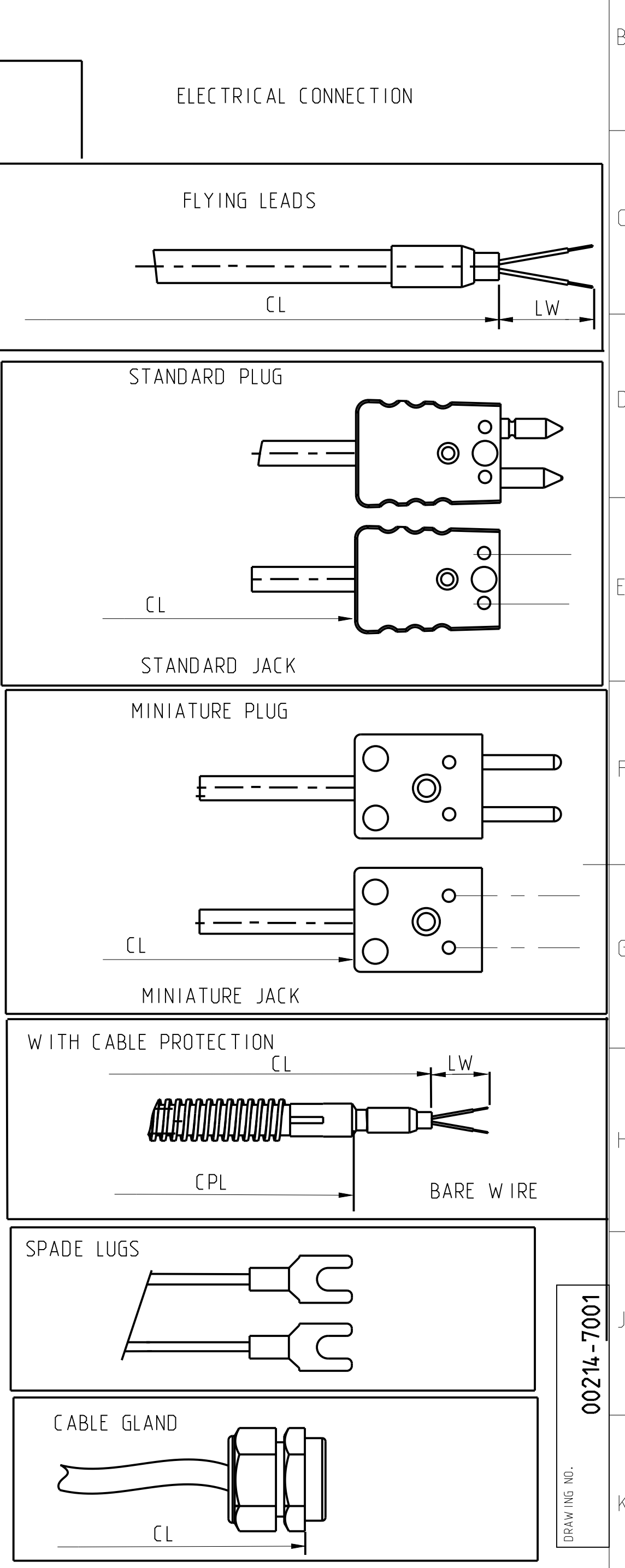
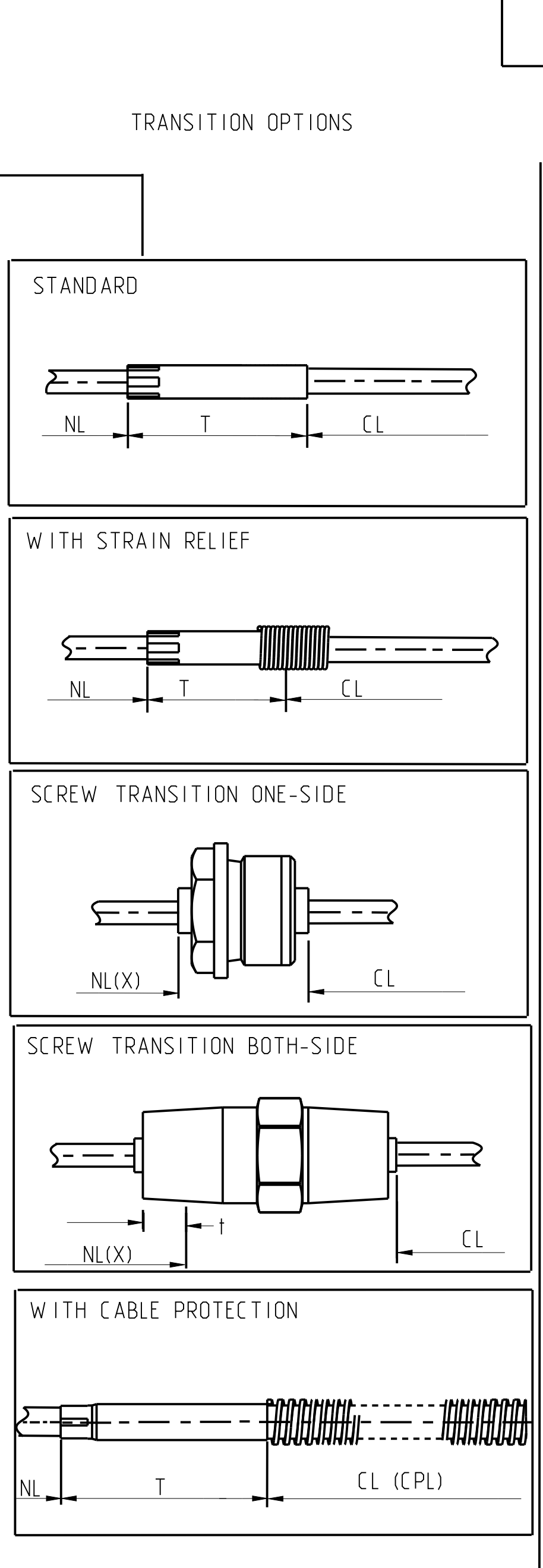
DRAWING NO. 00214-7001

ROSEMOUNT 214A2A TEMPERATURE CABLE SENSOR



BA	BEND ANGLE
BR	BEND RADIUS
CL	CABLE LENGTH
BL	SENSOR BEND LENGTH
LW	FREE LEAD WIRE LENGTH
NL	NOMINAL LENGTH
TD	TIP DIAMETER
TDR	TIP DIAMETER REDUCED
RTL	REDUCED TIP LENGTH
T	TRANSITION LENGTH
L	INSERTION LENGTH
X	LENGTH BETWEEN FIXED CONNECTION AND TRANSITION

TAPERED THREAD	1. L1 THREAD ENGAGEMENT (MM)	INDUSTRY STANDARD
1/8"-27 NPT	4	ASME B1.20.1
1/4"-14 NPT	5.5	
1/2"-14 NPT	8	
3/4"-14 NPT	8.5	
1"-11.5 NPT	10	



CONFIDENTIAL AND PROPRIETARY INFORMATION IS CONTAINED HEREIN AND MUST BE HANDLED ACCORDINGLY.

UNLESS OTHERWISE SPECIFIED DIMENSIONS IN MILLIMETERS (MM). REMOVE ALL BURRS AND SHARP EDGES.

EMERSON ROSEMOUNT

TITLE: ROSEMOUNT 214A2A TYPE I DRAWING

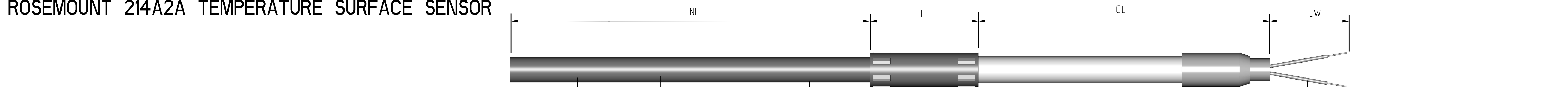
DR. J. ARMSTRONG 8/17/21 DRAWING NO. 00214-7001

APP'D Z. KAISER 8/17/21

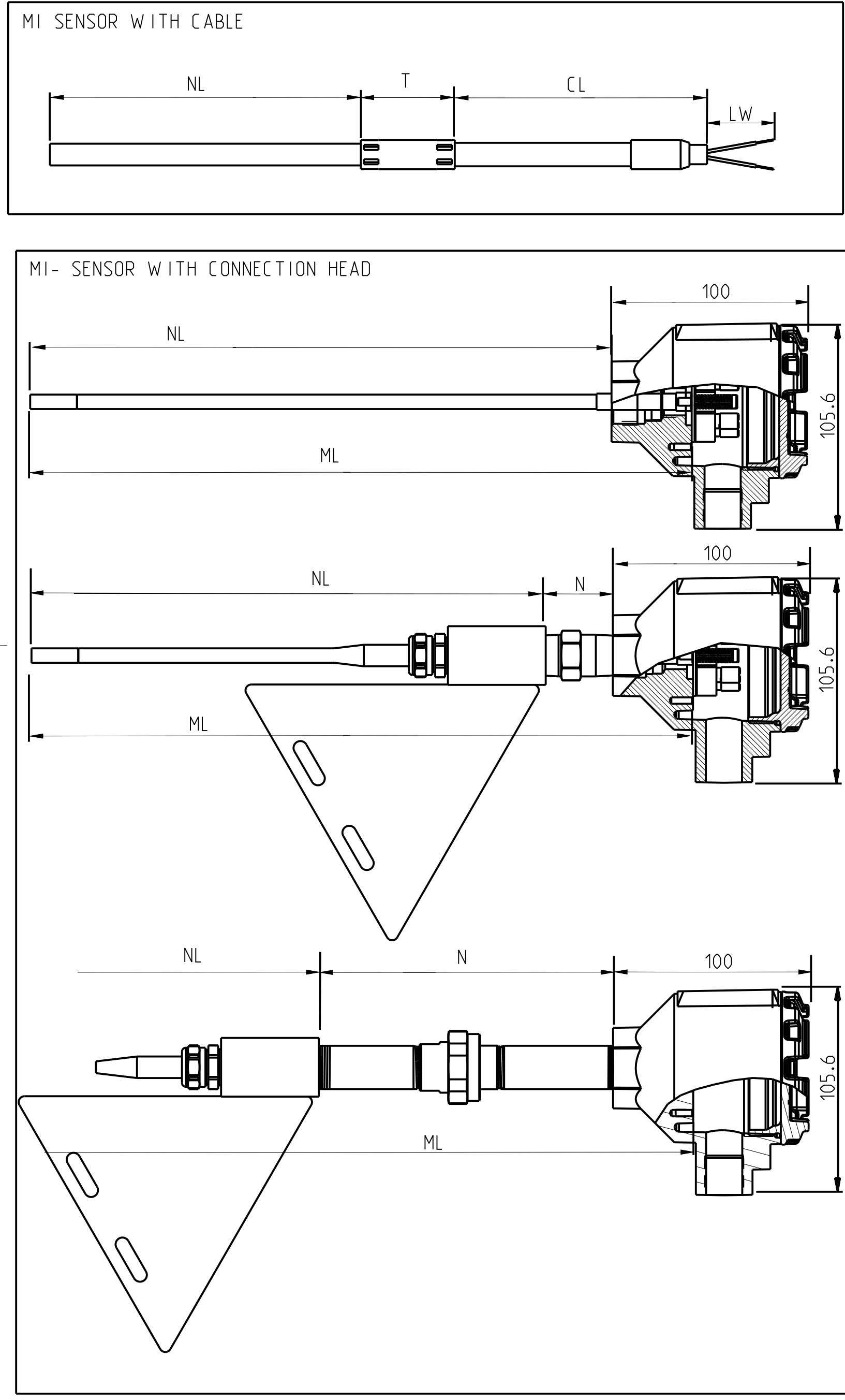
DO NOT SCALE PRINT CAD MAINTAINED, (PRO/E) PRODUCT CODE DOC TYPE SHEET 2 OF 4

DRAWING NO. 00214-7001

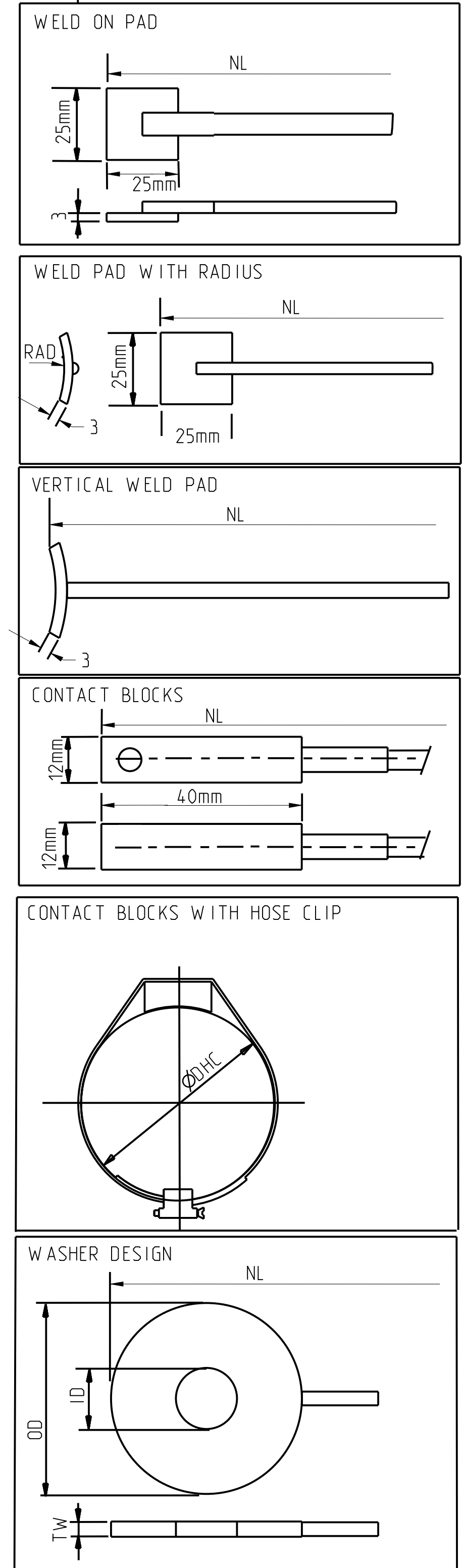
ROSEMOUNT 214A2A TEMPERATURE SURFACE SENSOR



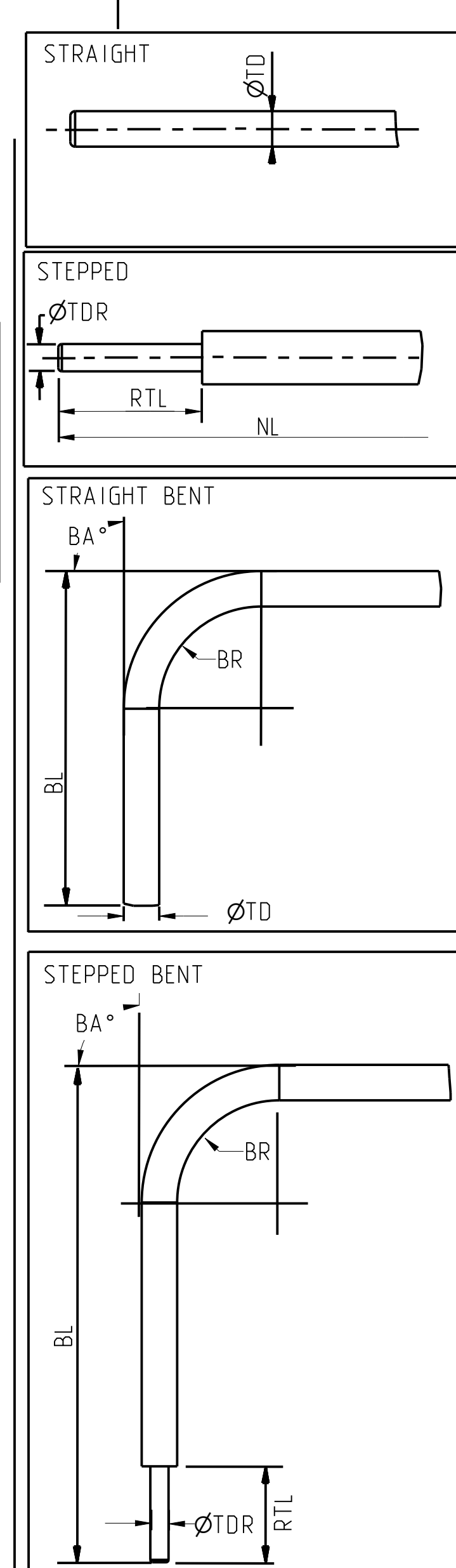
SENSOR MOUNTING STYLE



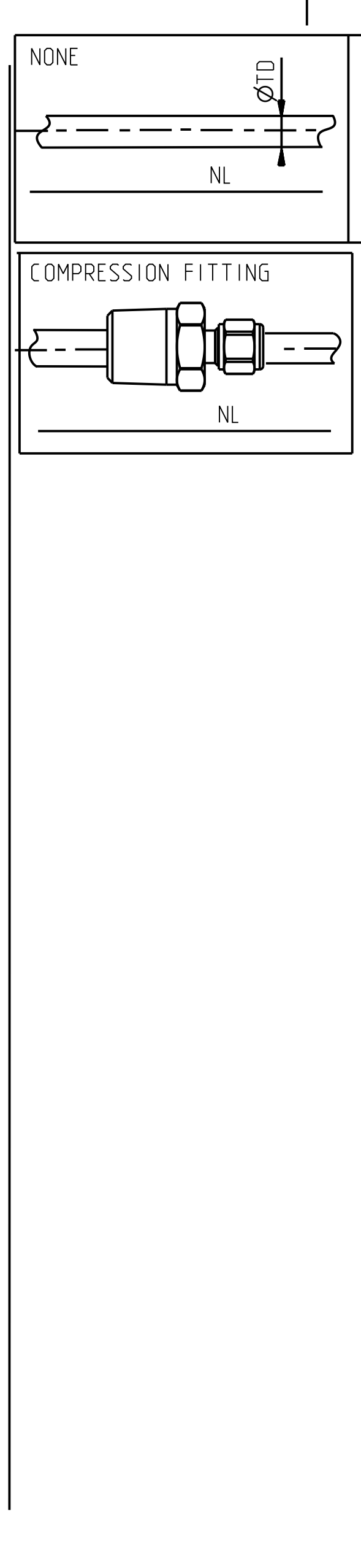
CONTACT TYPE



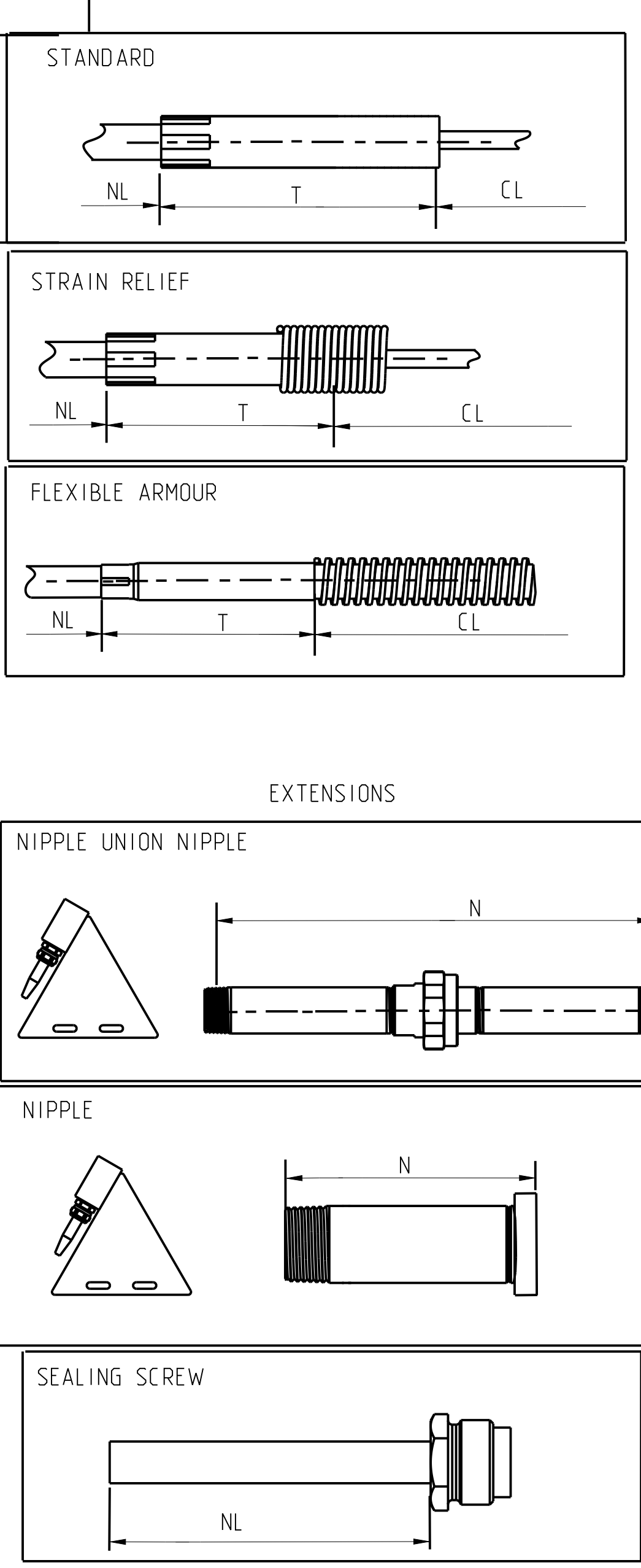
MEASURING TIP



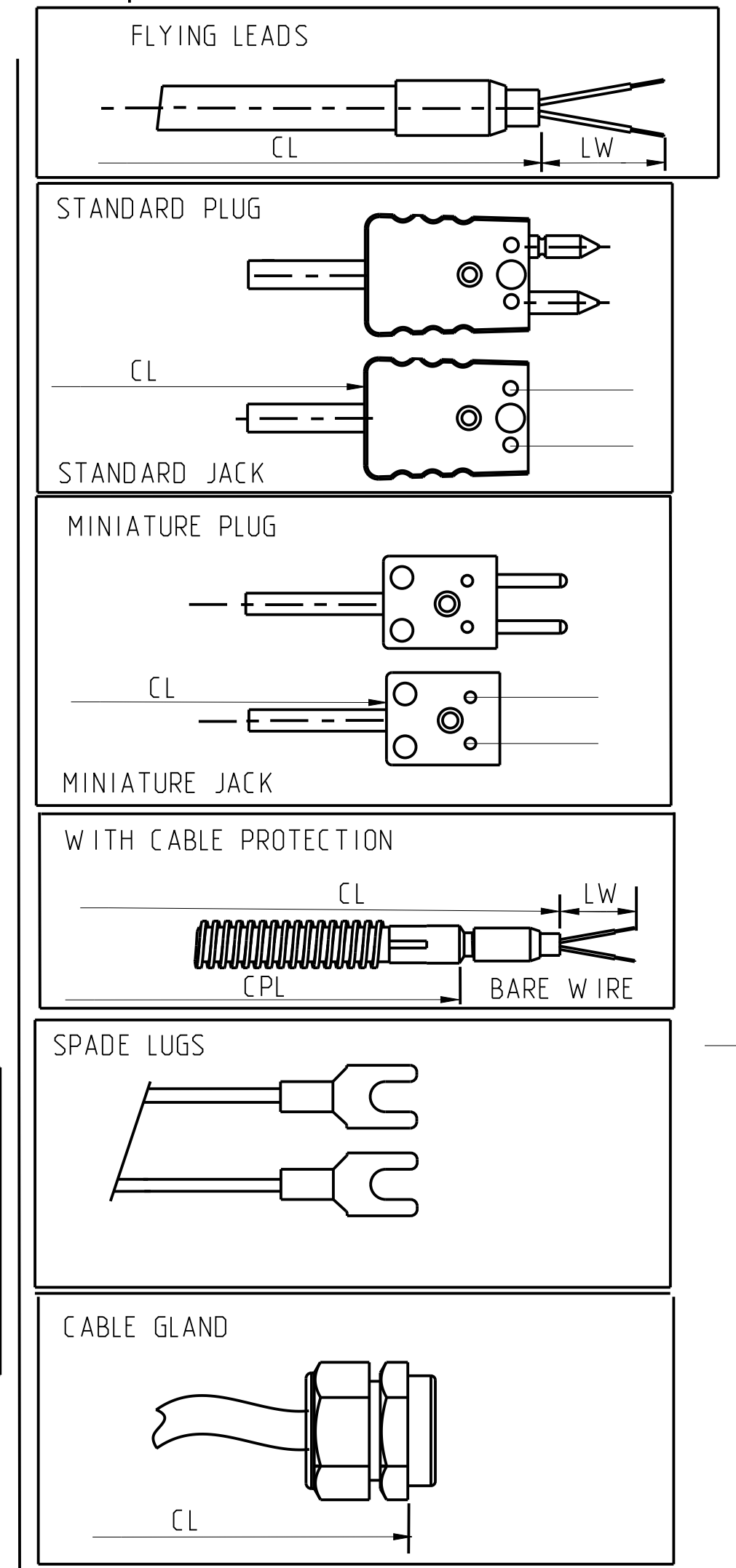
PROCESS CONNECTIONS



TRANSITION OPTIONS



ELECTRICAL CONNECTION



BA	BEND ANGLE
BR	BEND RADIUS
CL	CABLE LENGTH
BL	SENSOR BEND LENGTH
LW	FREE LEAD WIRE LENGTH
ML	MEASURING INSERT LENGTH
N	EXTENSION LENGTH
NL	NOMINAL LENGTH
TDR	TIP DIAMETER REDUCED
RTL	REDUCED TIP LENGTH
TD	TIP DIAMETER
T	TRANSITION LENGTH
X	LENGTH BETWEEN FIXED CONNECTION AND TRANSITION

CONFIDENTIAL AND PROPRIETARY INFORMATION IS CONTAINED HEREIN AND MUST BE HANDLED ACCORDINGLY.

UNLESS OTHERWISE SPECIFIED DIMENSIONS IN MILLIMETERS (MM). REMOVE ALL BURRS AND SHARP EDGES.

EMERSON ROSEMOUNT

ROSEMOUNT 214A2A TYPE I DRAWING

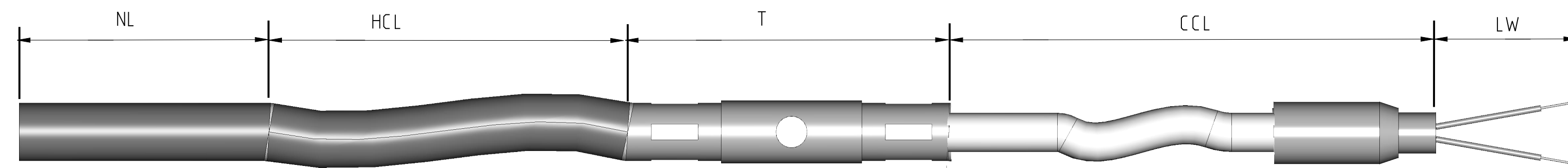
DR. J. ARMSTRONG 8/17/21 DRAWING NO. 00214-7001

APP'D Z. KAISER 8/17/21

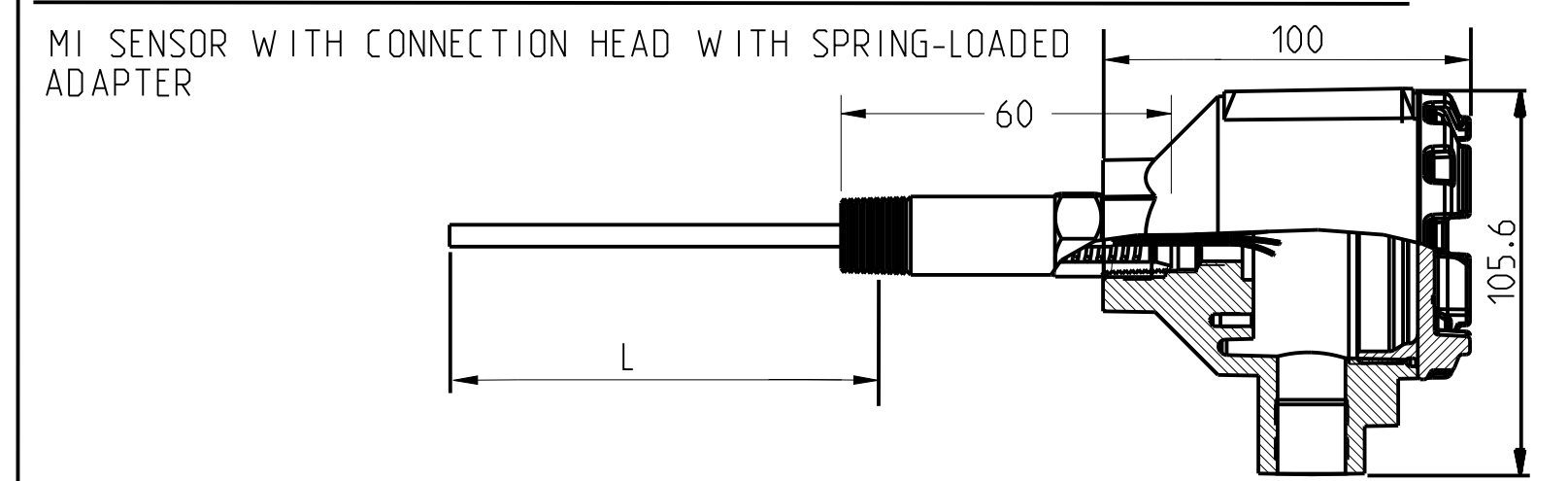
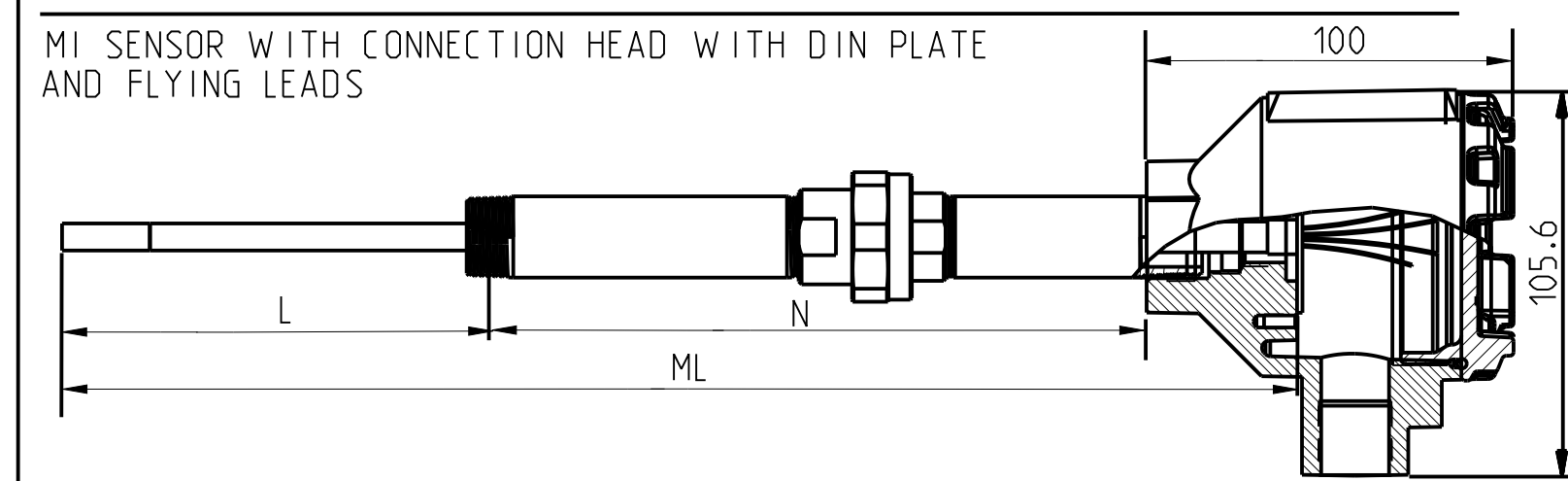
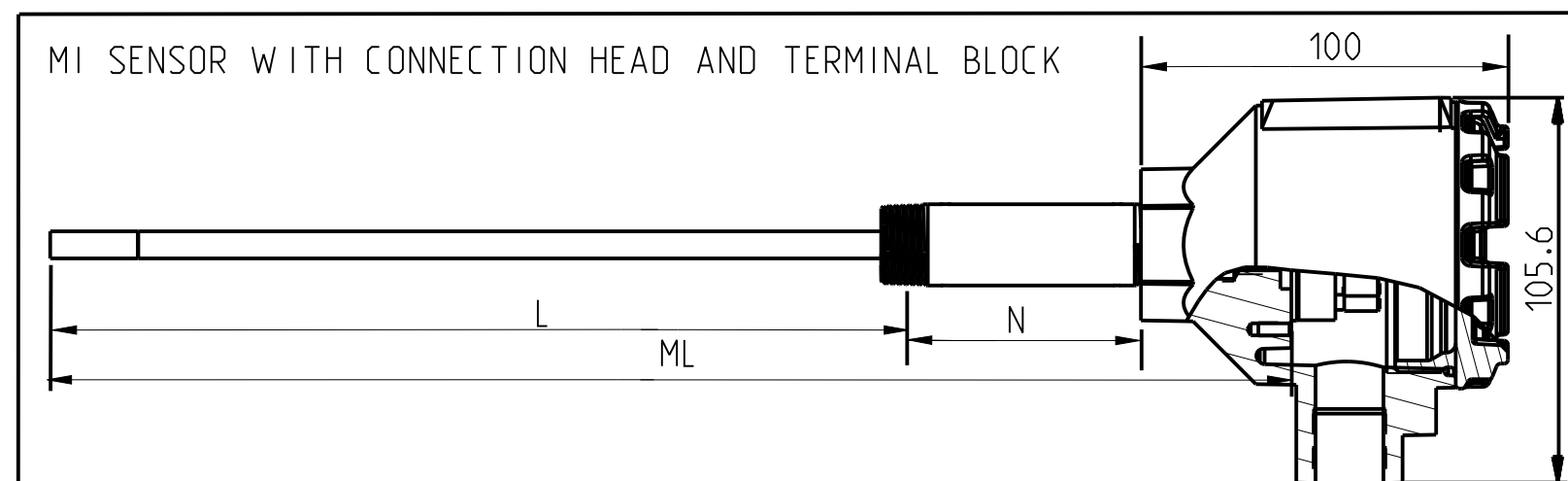
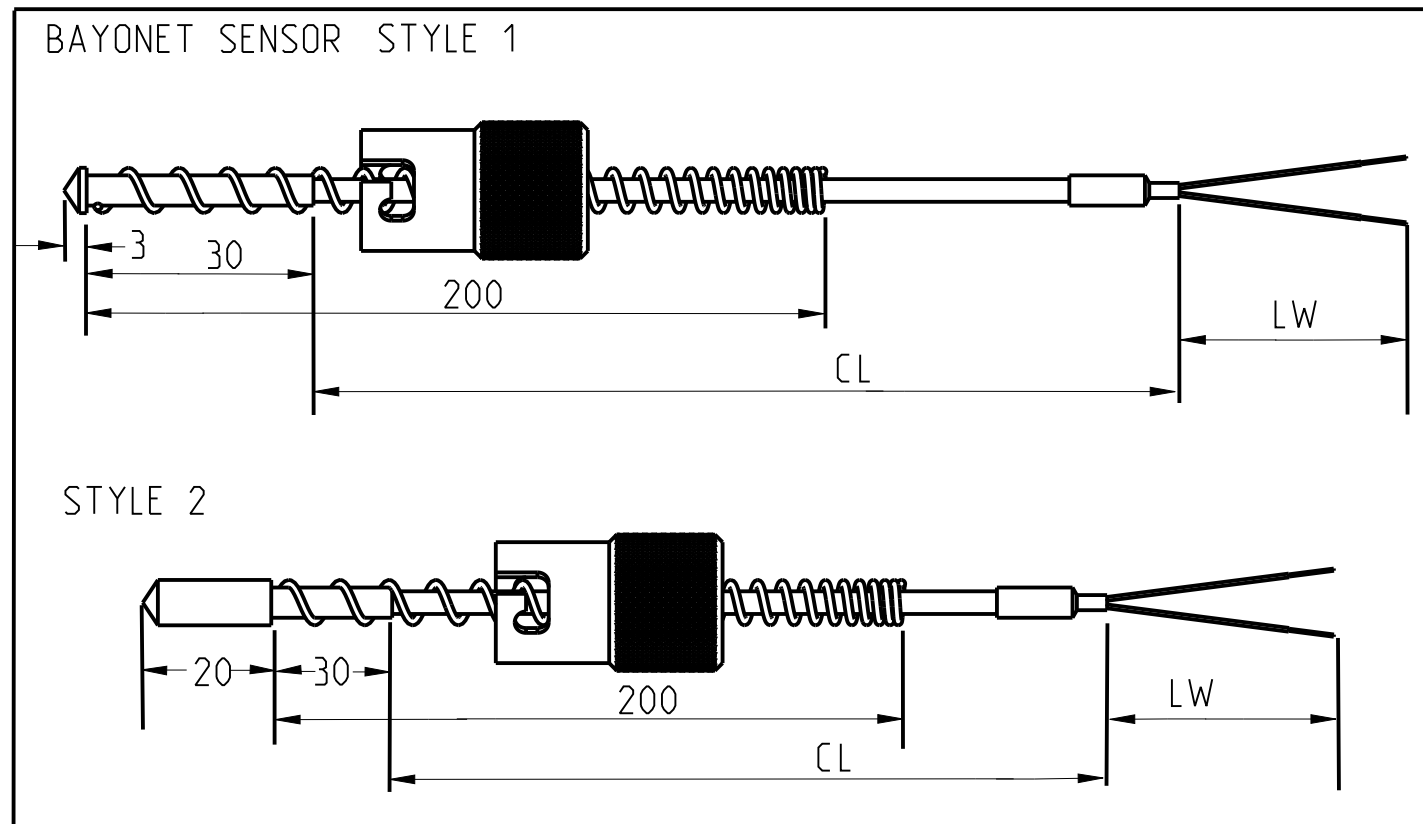
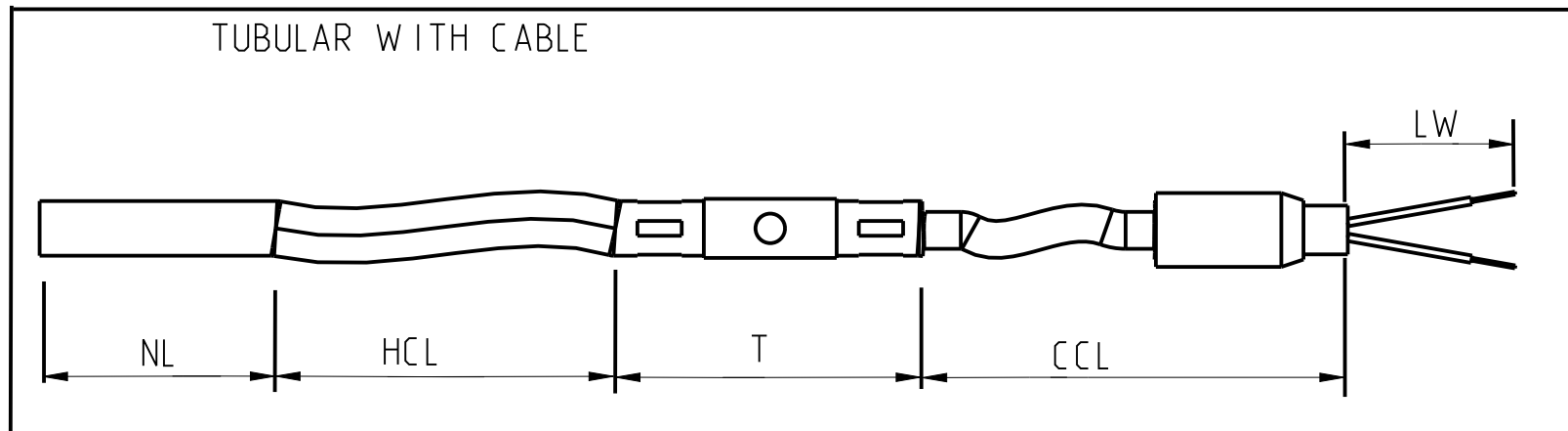
DO NOT SCALE PRINT CAD MAINTAINED, (PROV/E) PRODUCT CODE DOC TYPE SHEET 3 OF 4

DRAWING NO. 00214-7001

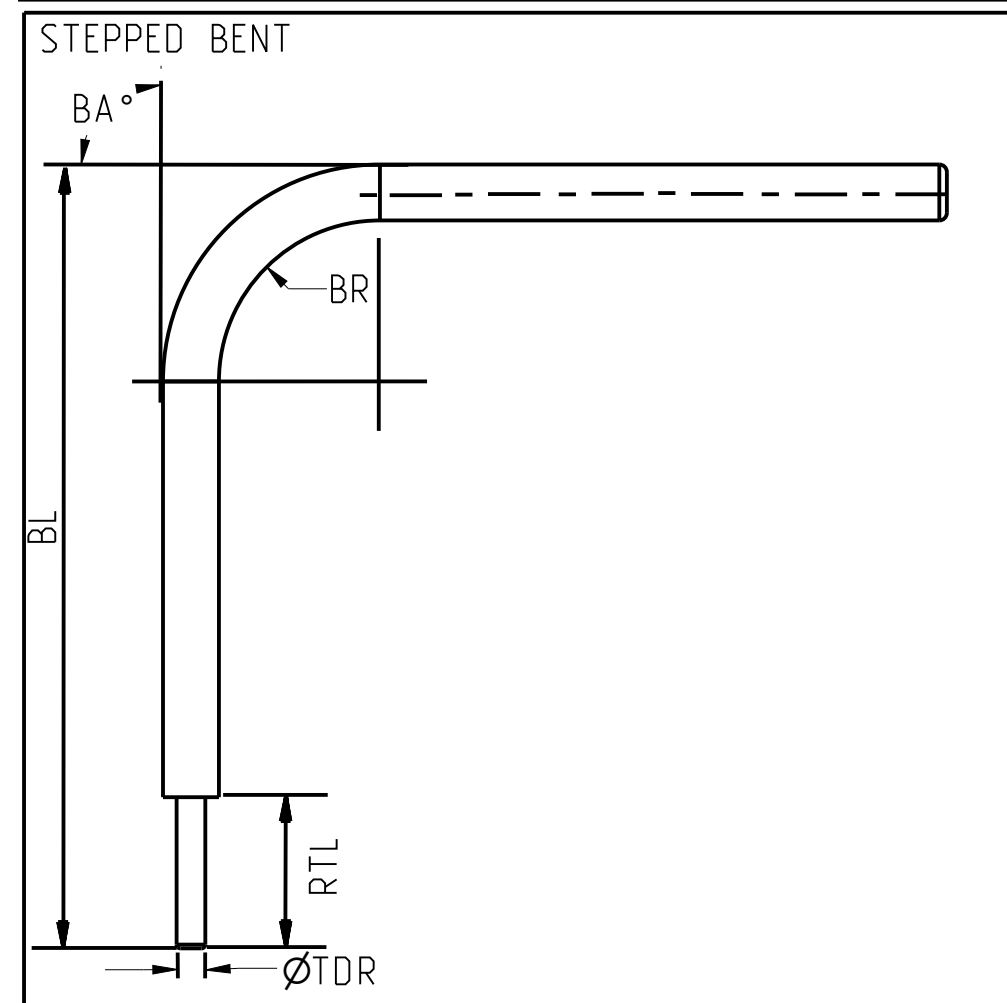
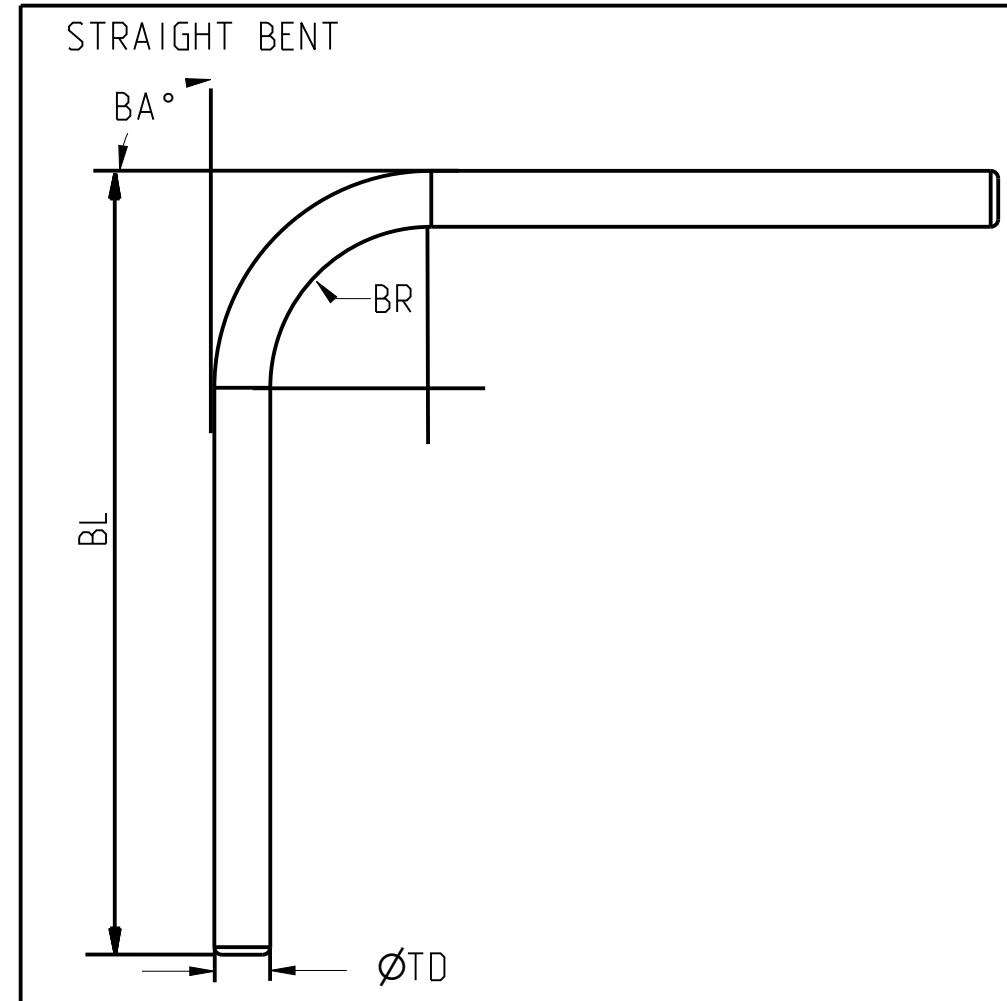
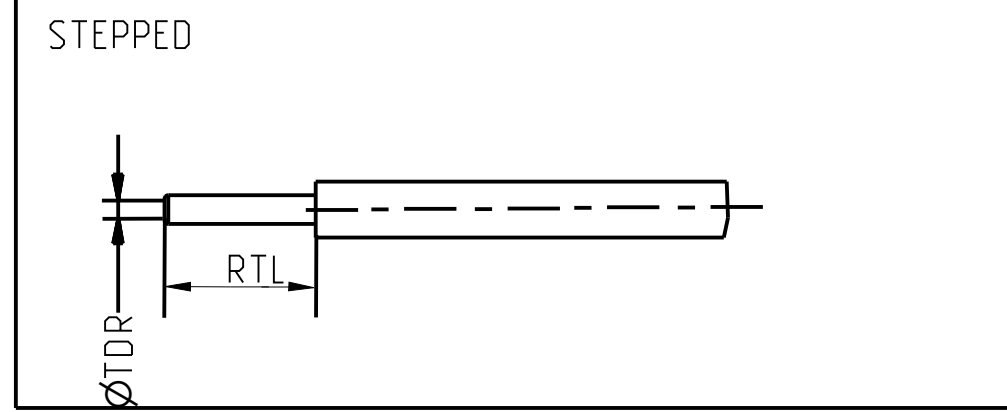
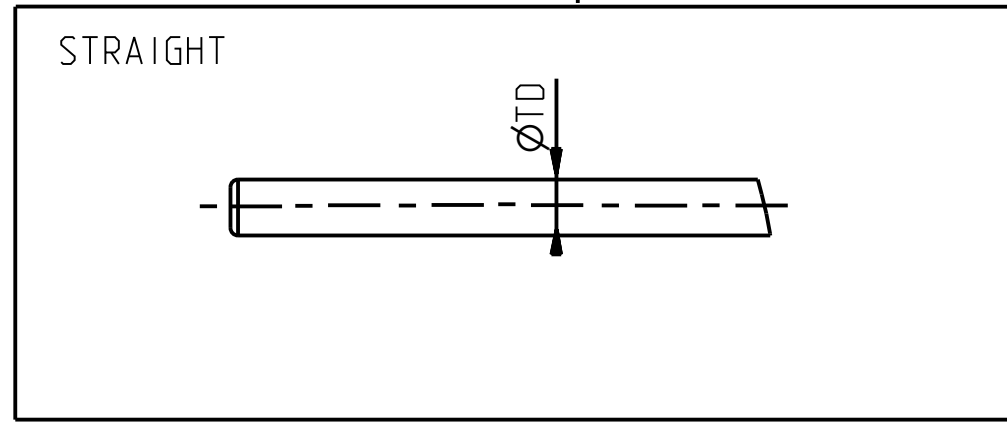
ROSEMOUNT 214A2A TEMPERATURE BEARING SENSOR



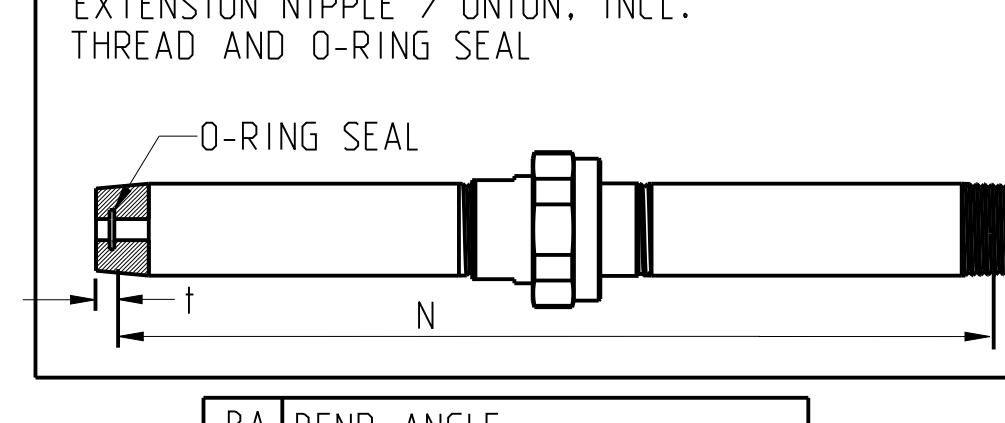
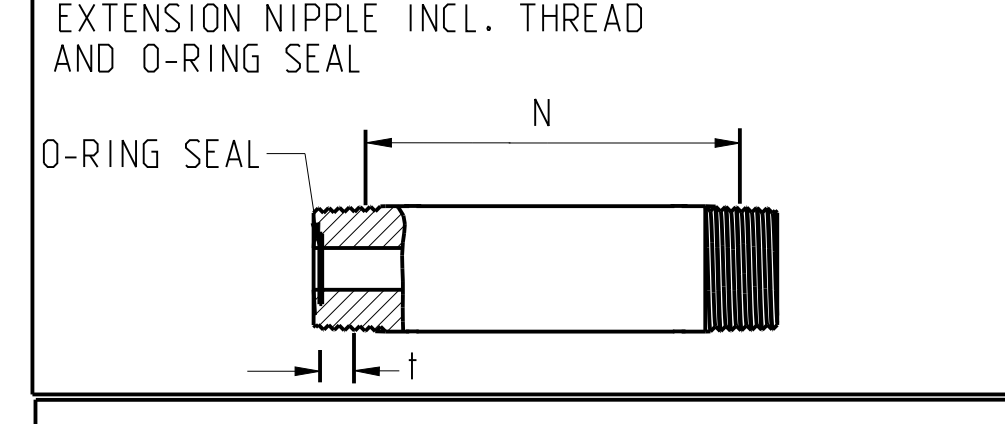
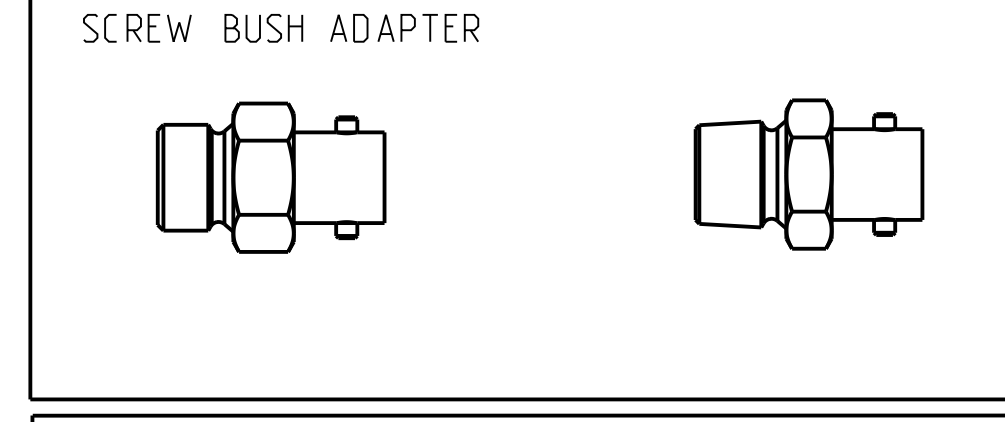
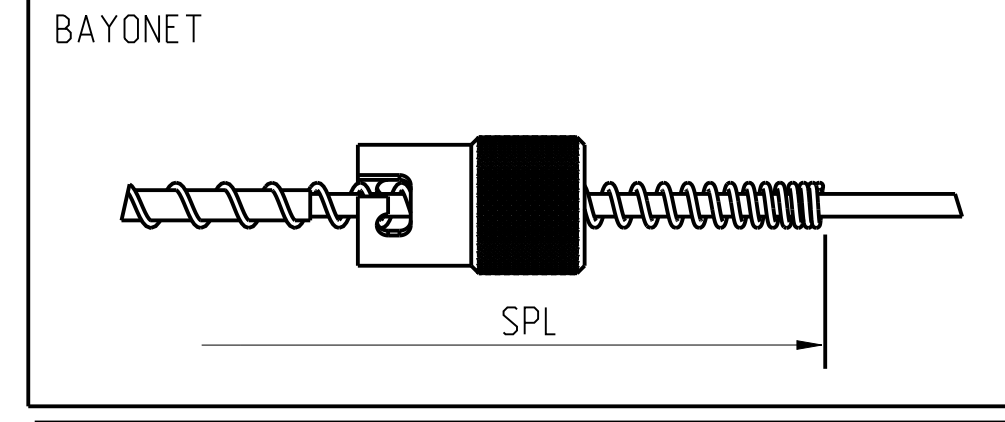
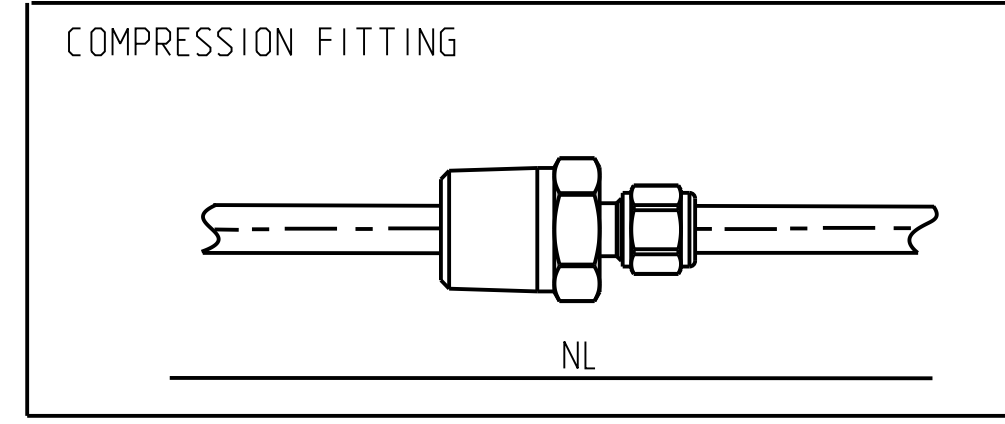
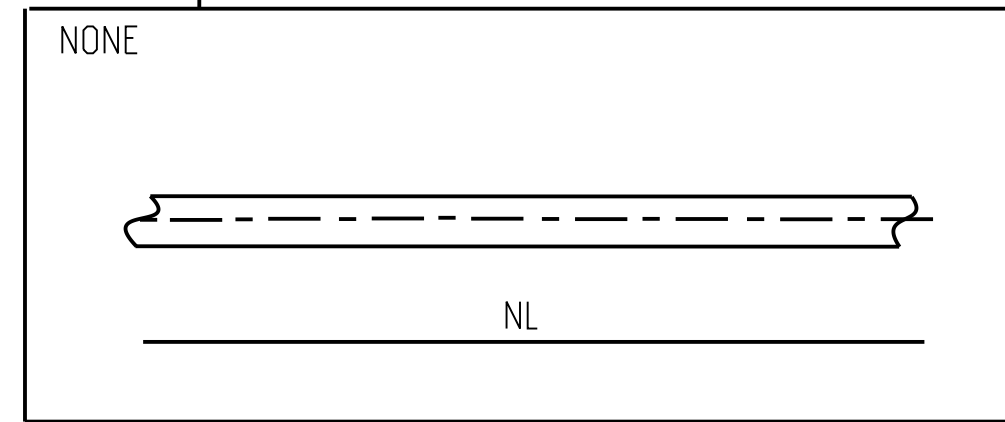
SENSOR MOUNTING STYLE



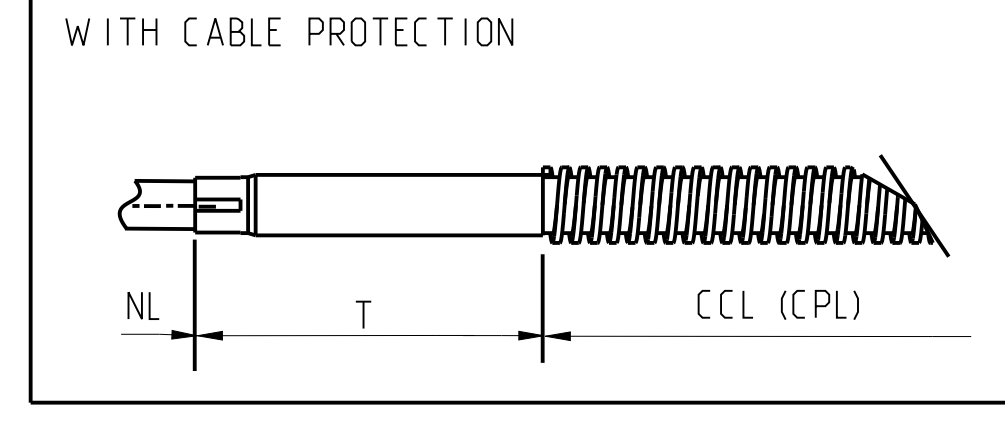
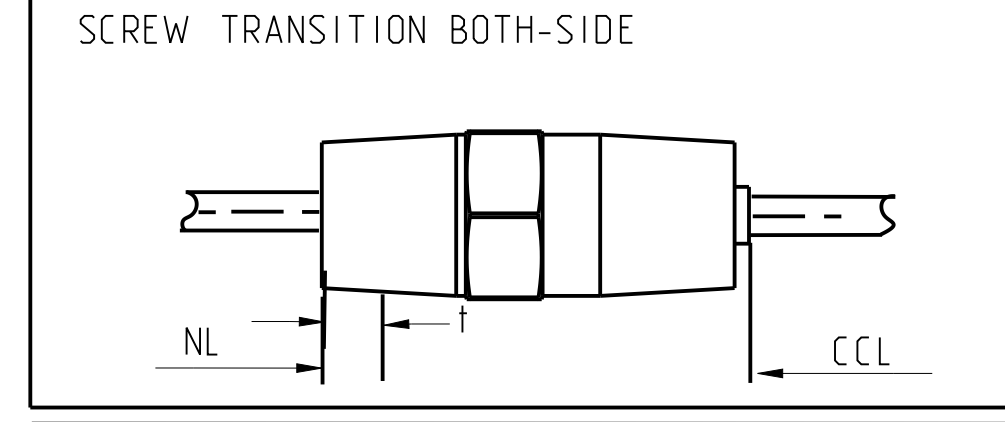
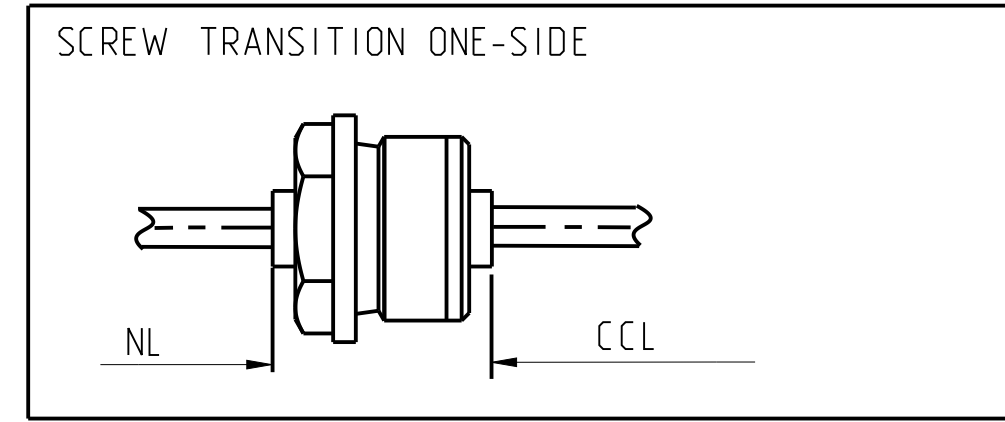
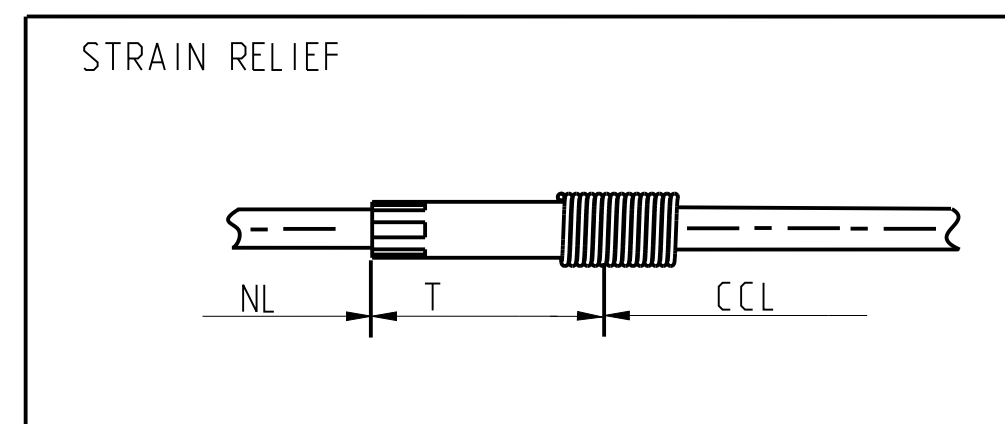
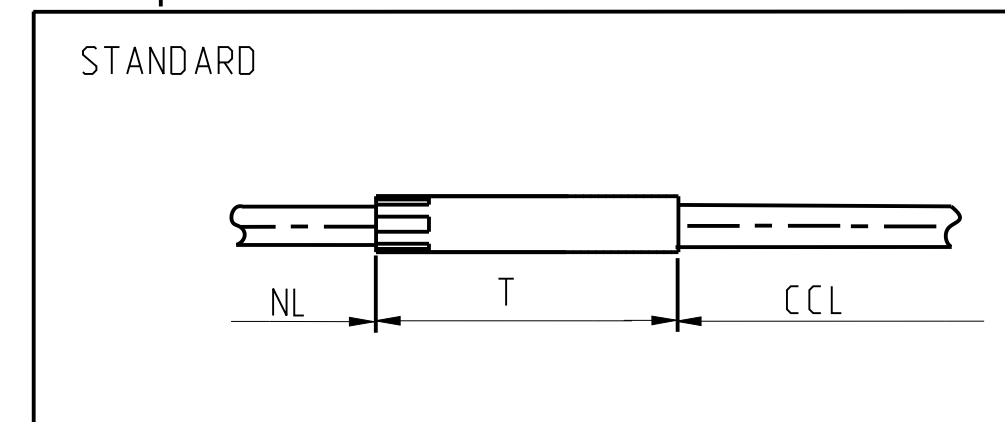
MEASURING TIP



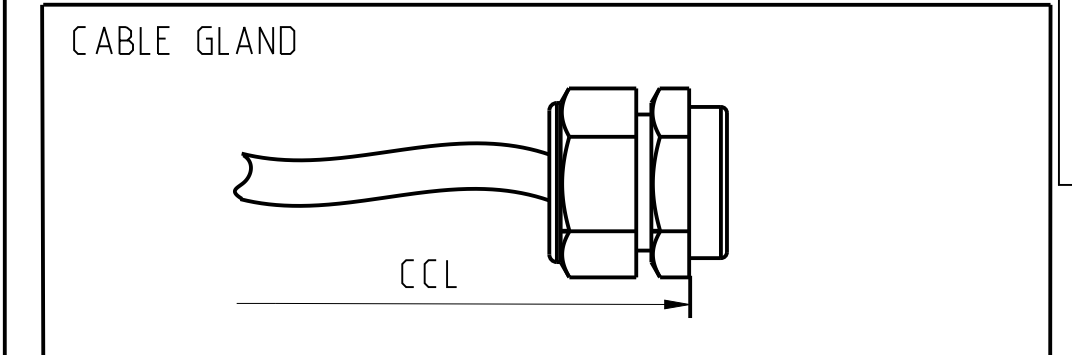
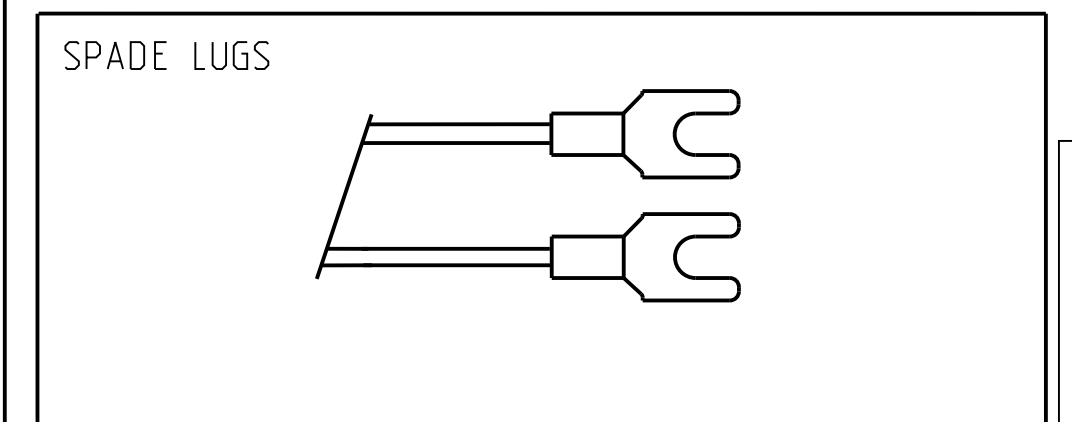
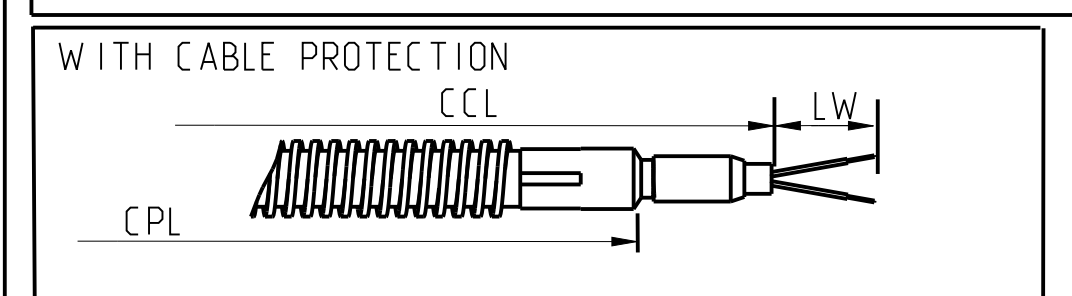
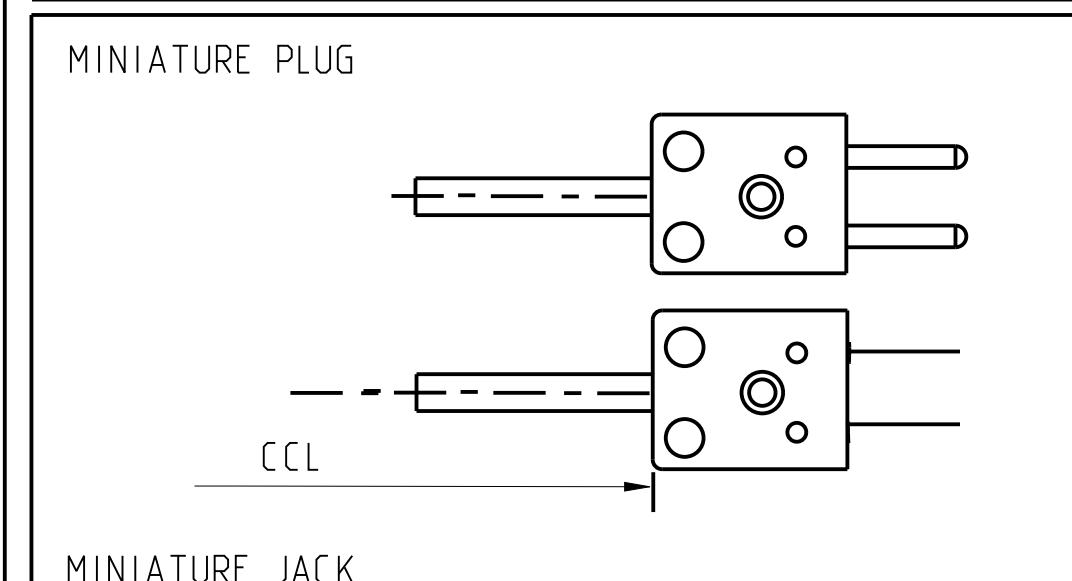
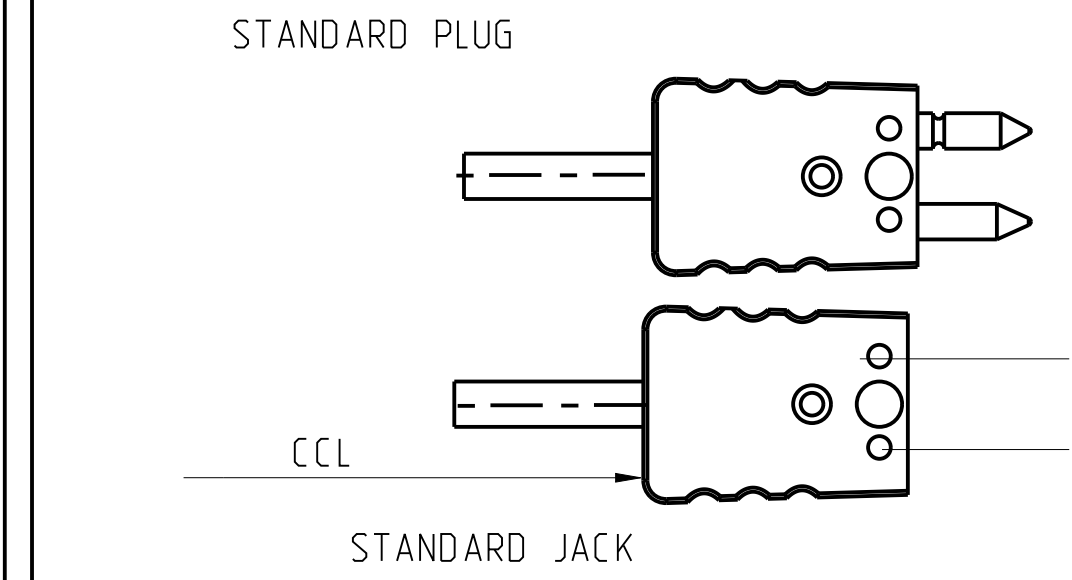
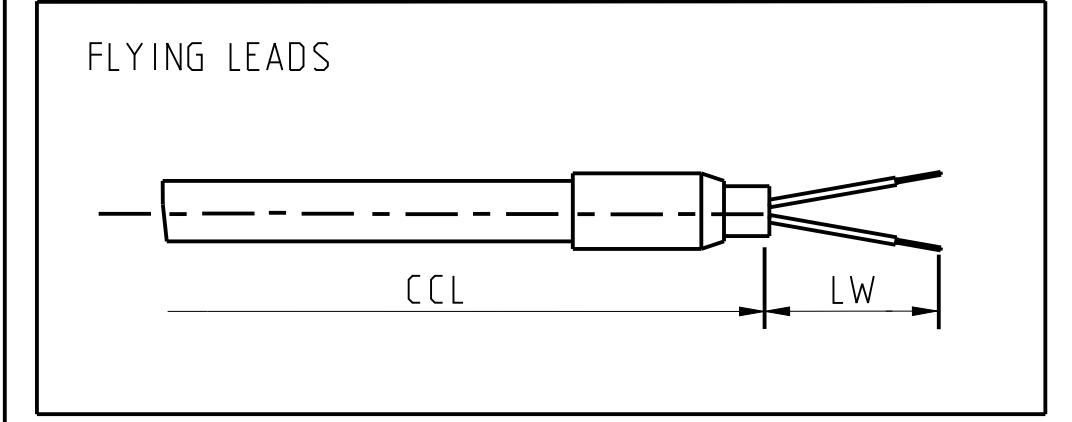
PROCESS CONNECTIONS



TRANSITION OPTIONS



ELECTRICAL CONNECTION



BA	BEND ANGLE
BR	BEND RADIUS
BL	SENSOR BEND LENGTH
LW	FREE LEAD WIRE LENGTH
ML	MEASURING INSERT LENGTH
N	EXTENSION LENGTH
TDR	TIP DIAMETER REDUCED
RTL	REDUCED TIP LENGTH
TD	TIP DIAMETER
L	INSERTION LENGTH

TAPERED THREAD	1. L1 THREAD ENGAGEMENT (MM)	INDUSTRY STANDARD
1/8"-27 NPT	4	ASME B1.20.1
1/4"-14 NPT	5.5	
1/2"-14 NPT	8	
3/4"-14 NPT	8.5	
1"-11.5 NPT	10	

CONFIDENTIAL AND PROPRIETARY INFORMATION IS CONTAINED HEREIN AND MUST BE HANDLED ACCORDINGLY.

UNLESS OTHERWISE SPECIFIED DIMENSIONS IN MILLIMETERS (MM). REMOVE ALL BURRS AND SHARP EDGES.

EMERSON ROSEMOUNT

ROSEMOUNT 214A2A TYPE I DRAWING

DR. J. ARMSTRONG 8/17/21 DRAWING NO. 00214-7001

APP'D Z. KAISER 8/17/21

DO NOT SCALE PRINT CAD MAINTAINED, (PRO/E) PRODUCT CODE DOC TYPE SHEET 4 OF 4

DRAWING NO. 00214-7001