

214A RTD AND THERMOCOUPLES
WITH CONNECTION HEAD

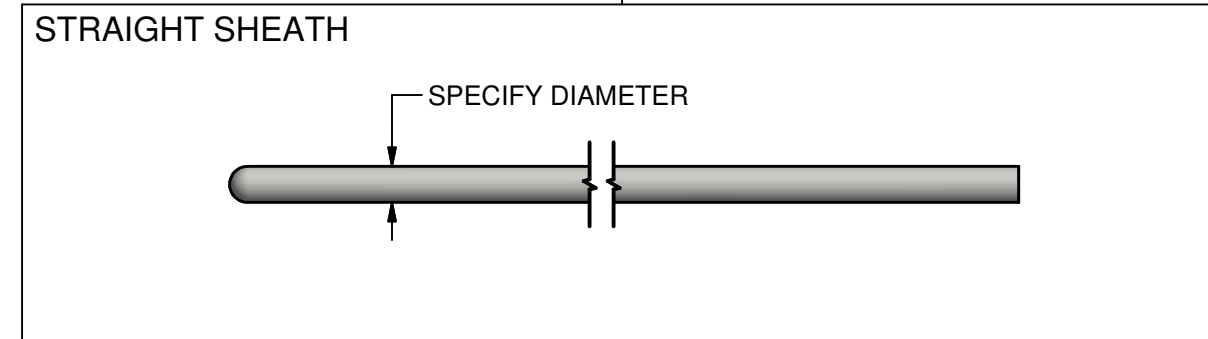
RTD TYPES:
CLASS A, CLASS B, (1/5) CLASS B, GRADE B
AVAILABLE IN SINGLE AND DUPLEX CONSTRUCTION
AVAILABLE IN 2, 3, OR 4 WIRE TERMINATIONS

THERMOCOUPLE TYPES:
E, J, K, T
AVAILABLE IN SINGLE AND DUPLEX CONSTRUCTION

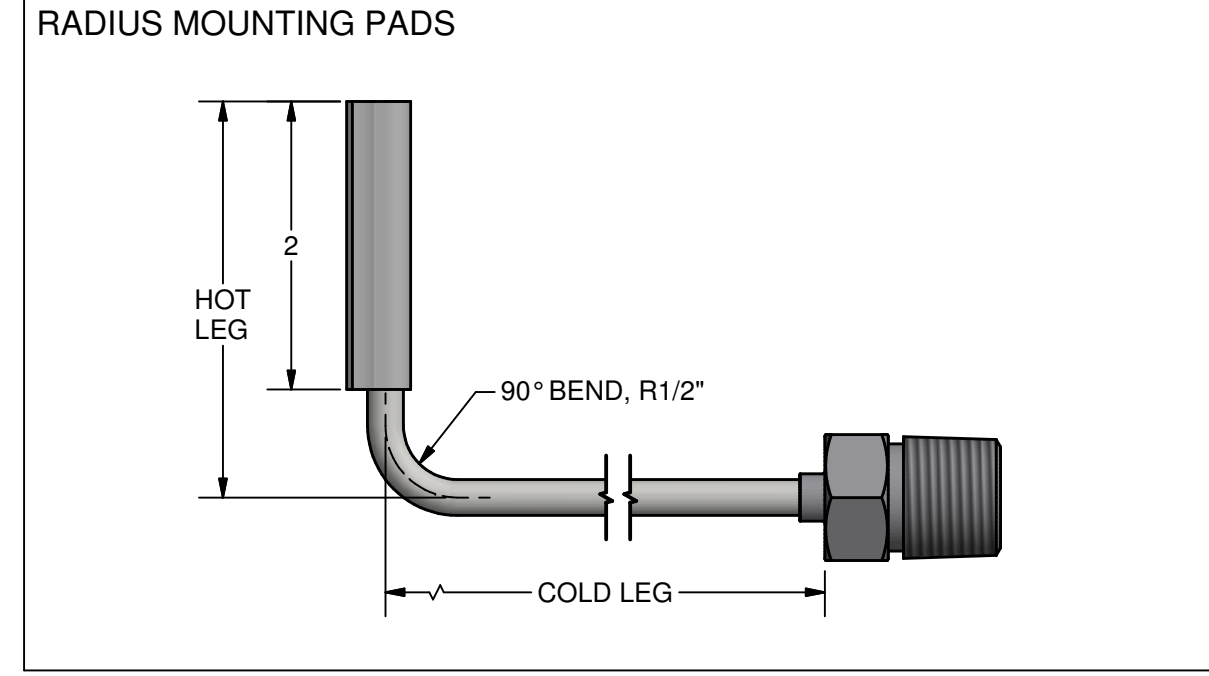
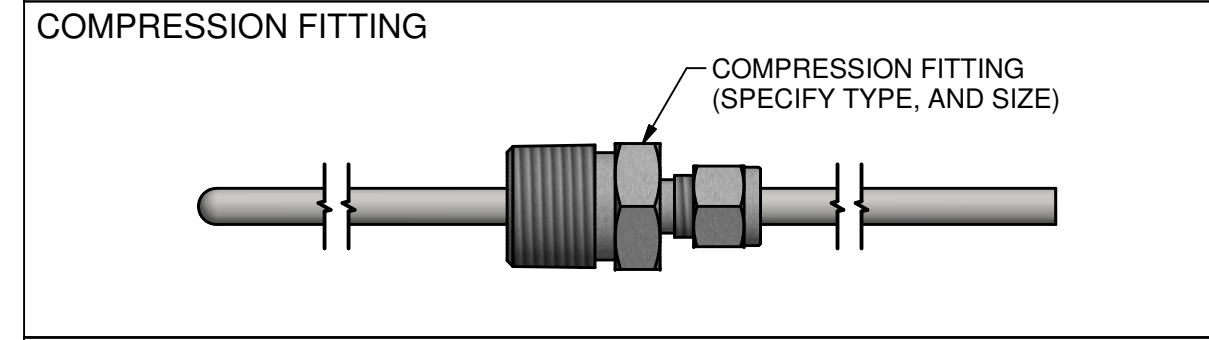
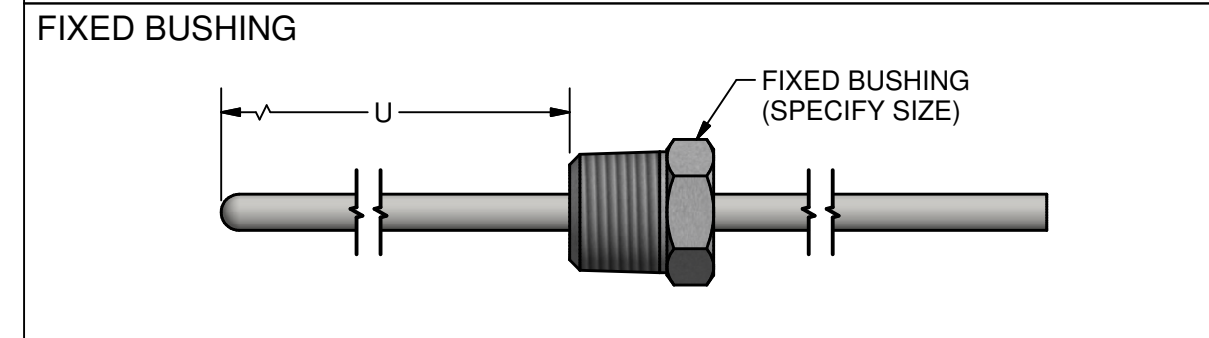
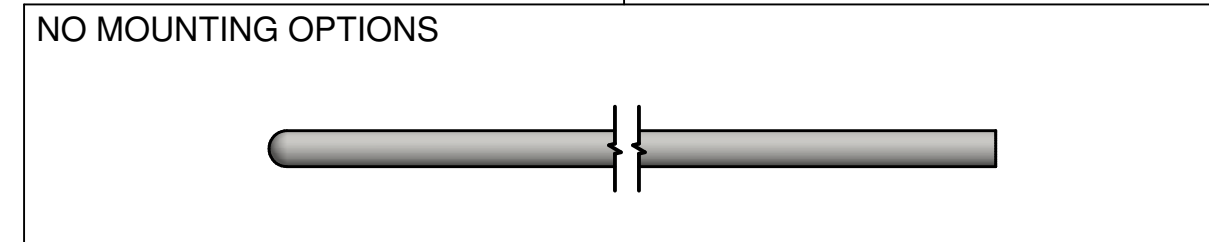
ALL SHEATHS AND FITTINGS ARE STAINLESS STEEL

FOR NORTH AMERICA ONLY

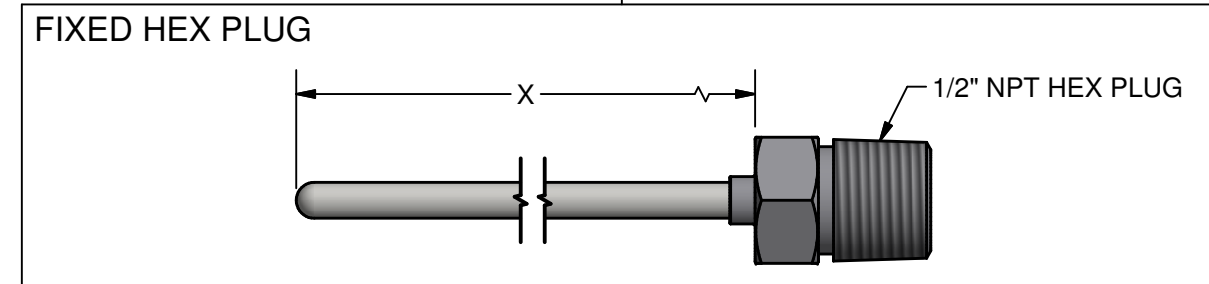
REVISION TABLE			
REVISION	ECO NO.	APP'D	DATE
AA		NEILL	12/18/17
DESCRIPTION			
LOCATION P1-A-8: ADDED NOTE: "FOR NORTH AMERICA ONLY"			



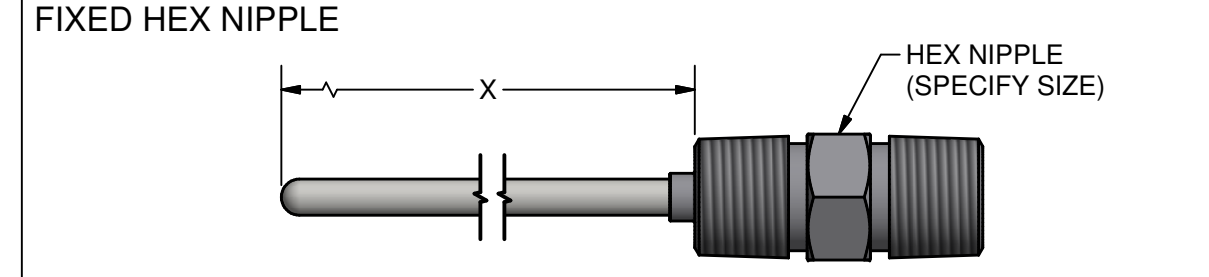
SHEATH OPTIONS



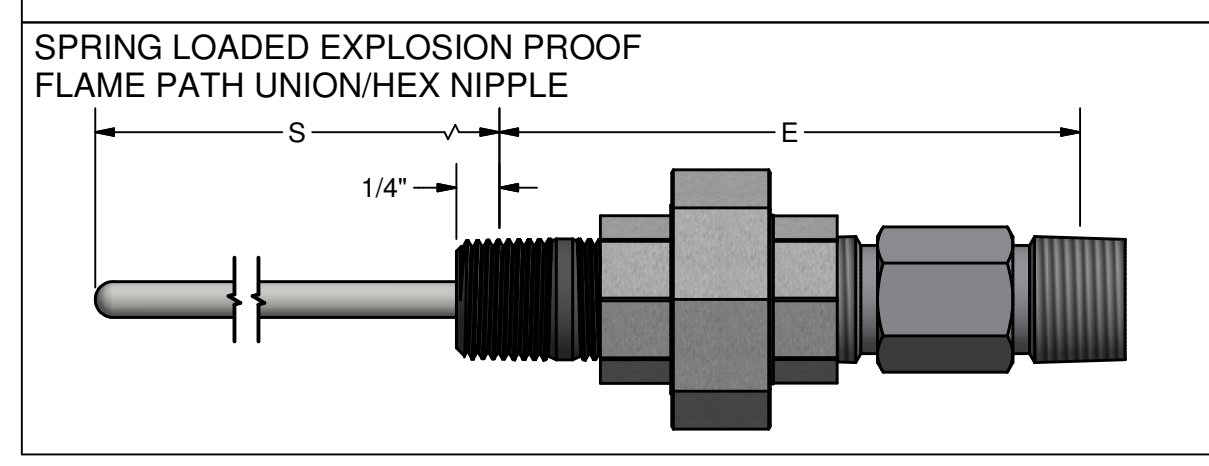
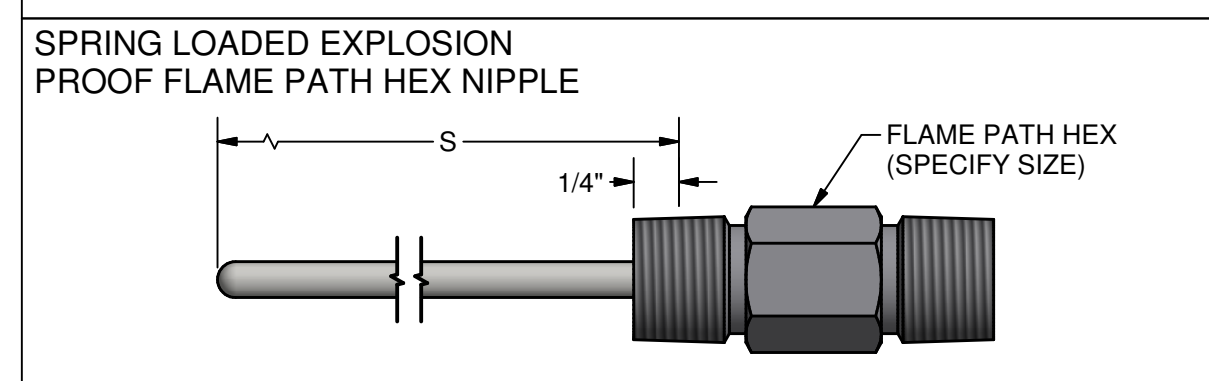
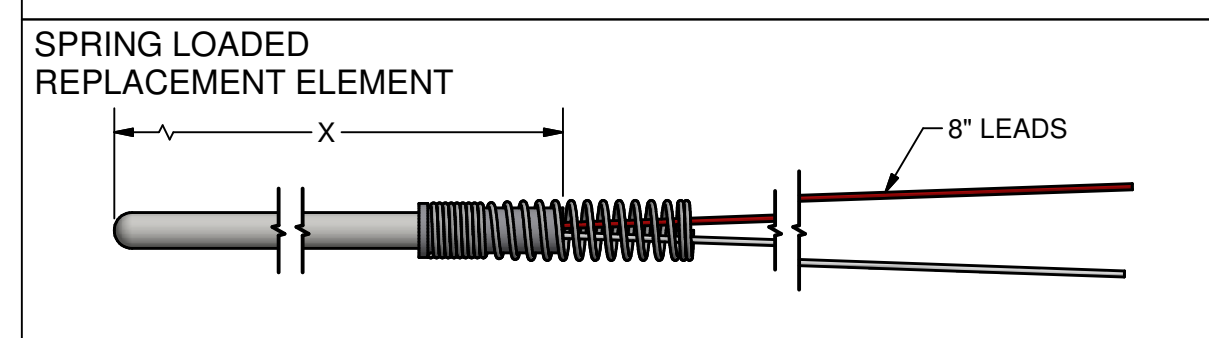
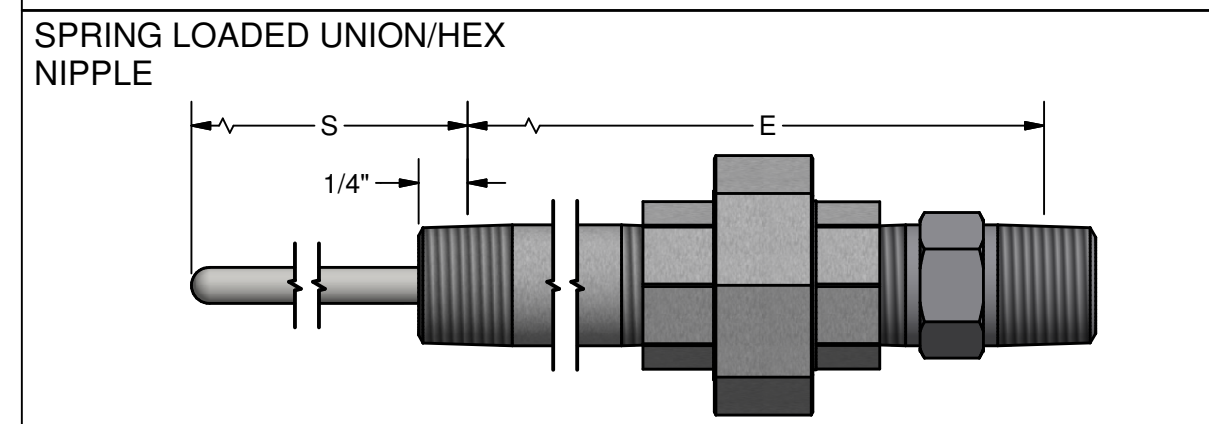
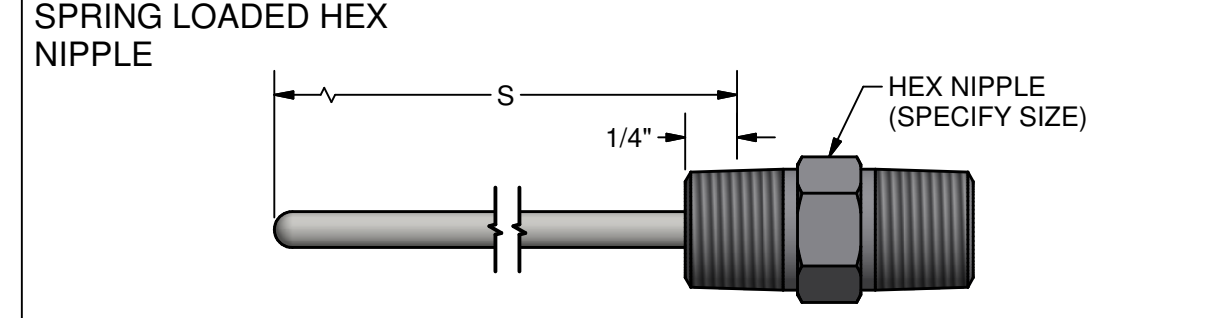
SHEATH MOUNTING OPTIONS



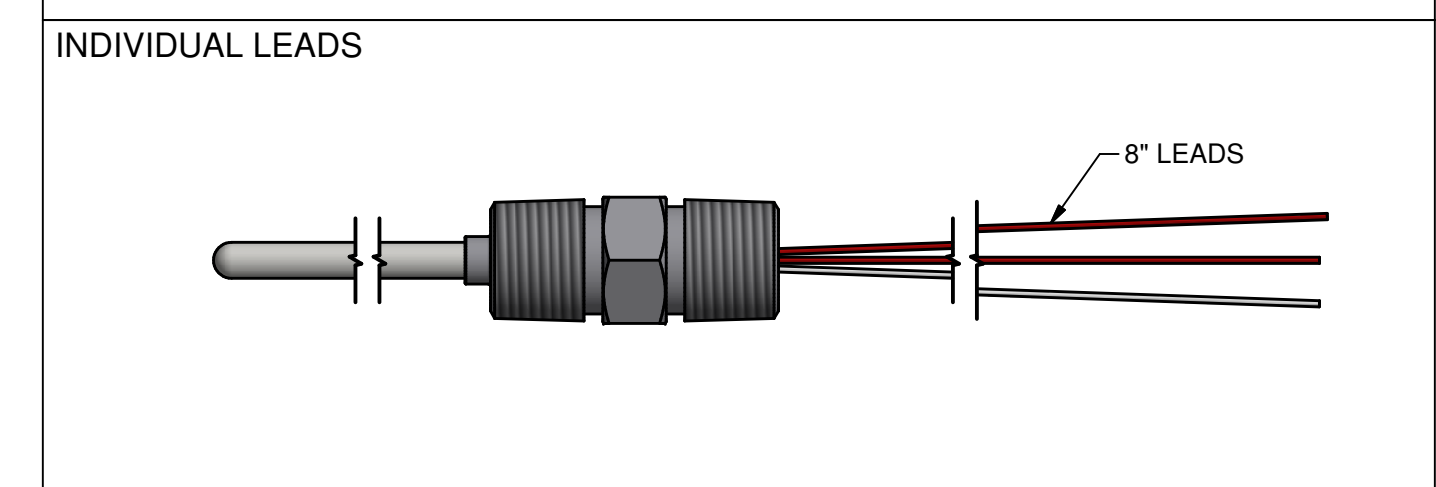
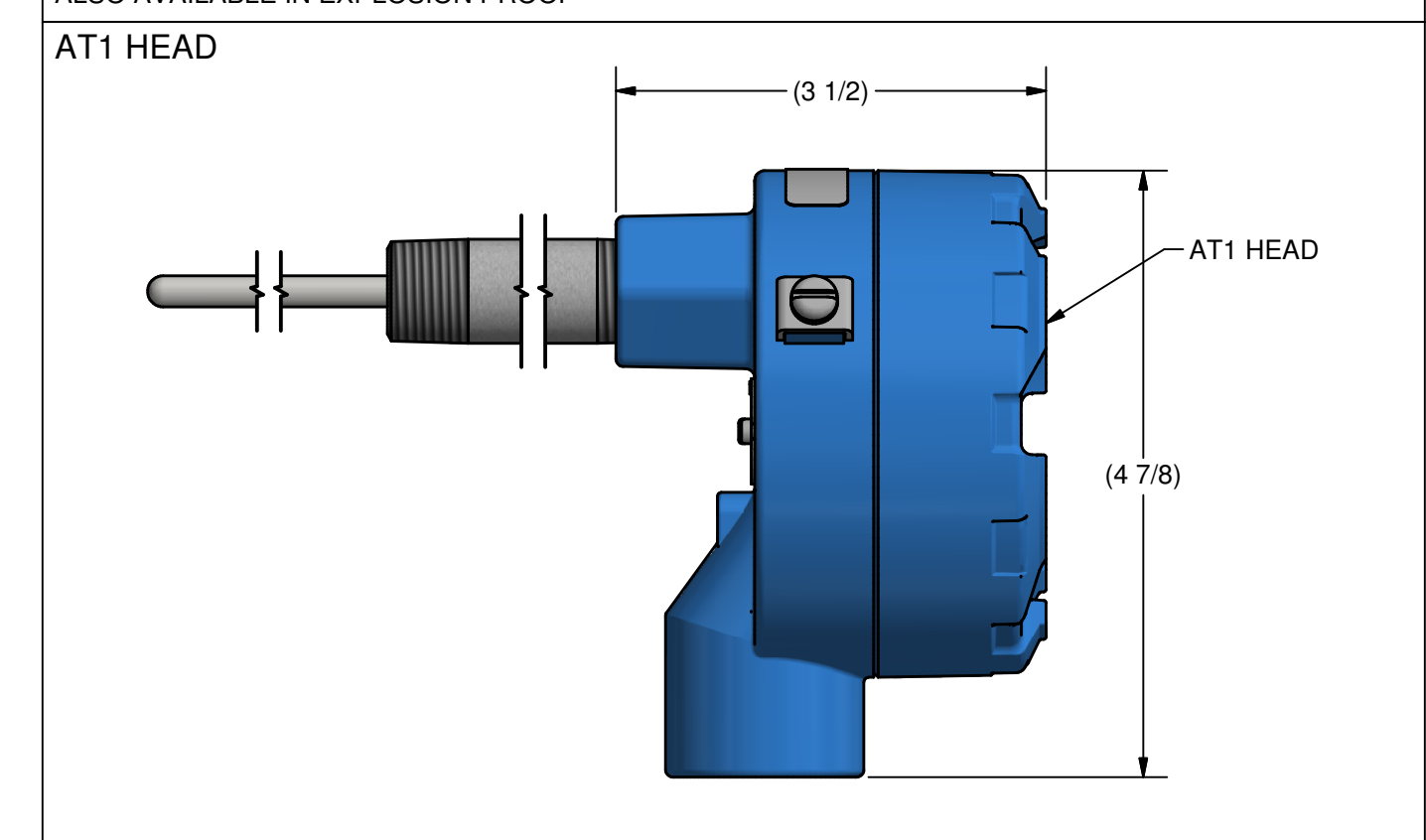
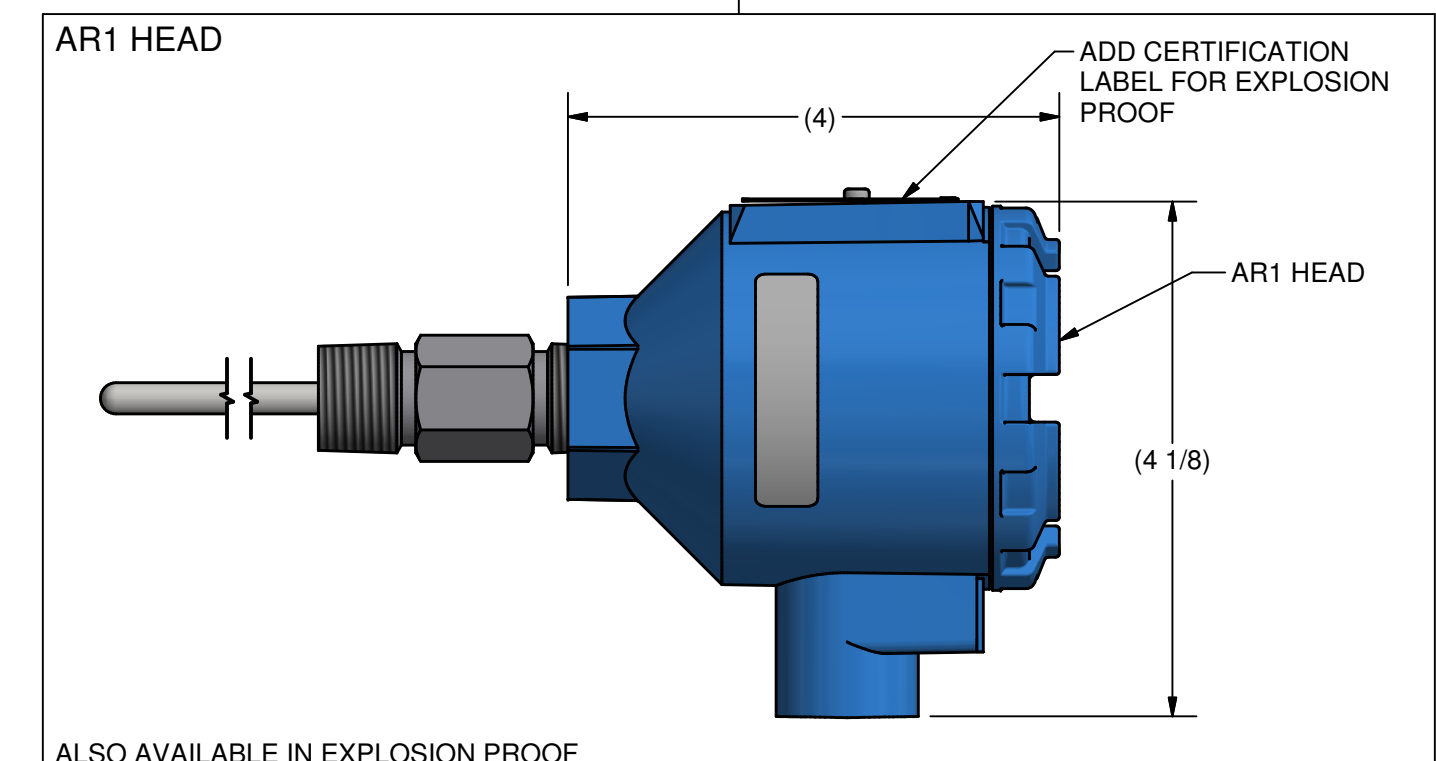
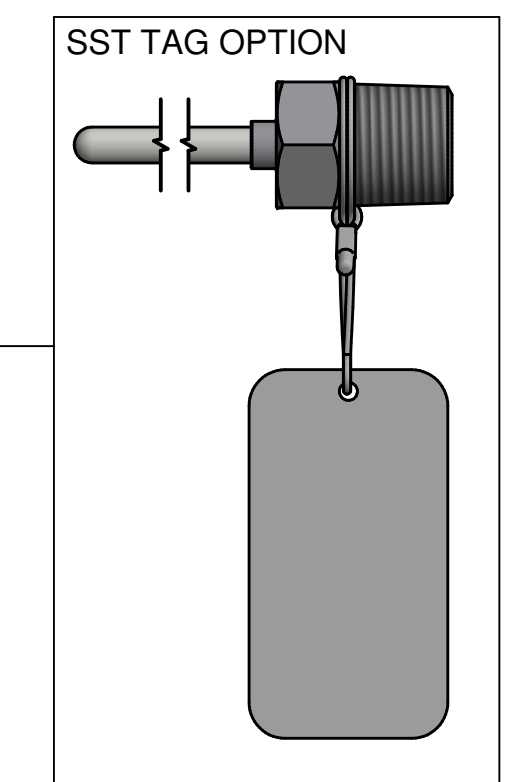
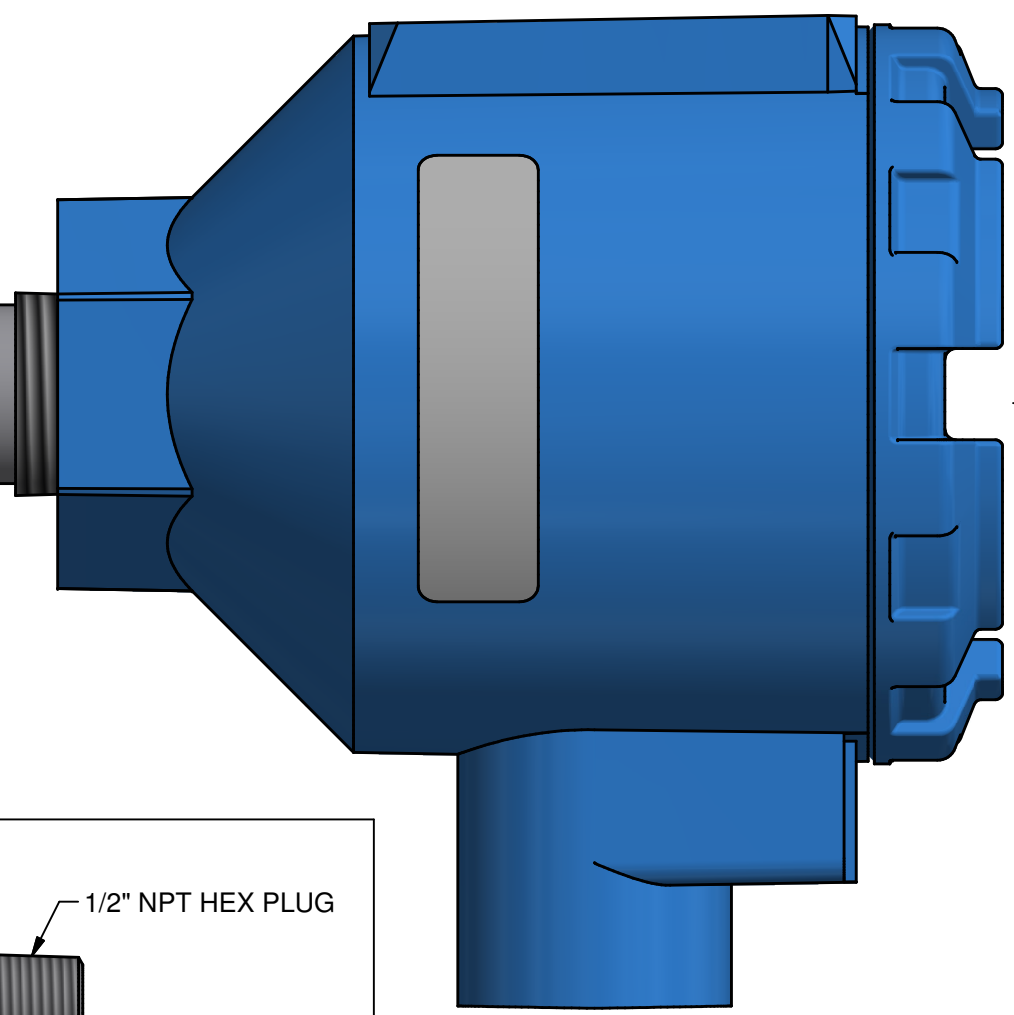
ALSO AVAILABLE IN EXPLOSION PROOF



ALSO AVAILABLE IN EXPLOSION PROOF



MOUNTING OPTIONS



TERMINATION OPTIONS

©2015 ROSEMOUNT INC. ROSEMOUNT INC. CERTIFIES THIS PRODUCT IN ACCORDANCE WITH ROSEMOUNT ENGINEERING SPECIFICATIONS. UNIT NOTES IN INCHES (mm). REFERENCE ROSEMOUNT PRODUCT DATA SHEETS FOR PRODUCT SPECIFICATIONS. CLICK HERE

3RD ANGLE

EMERSON

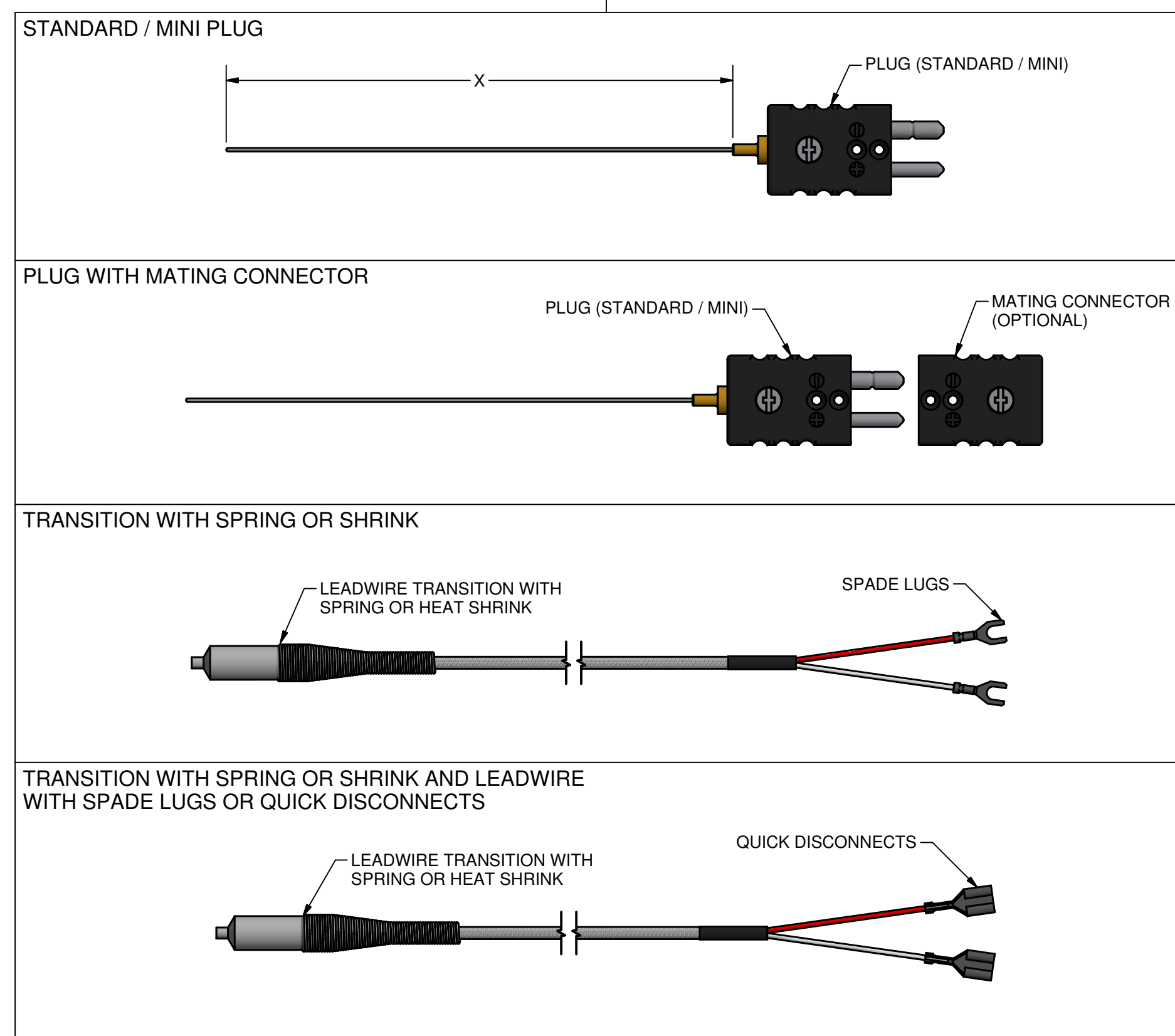
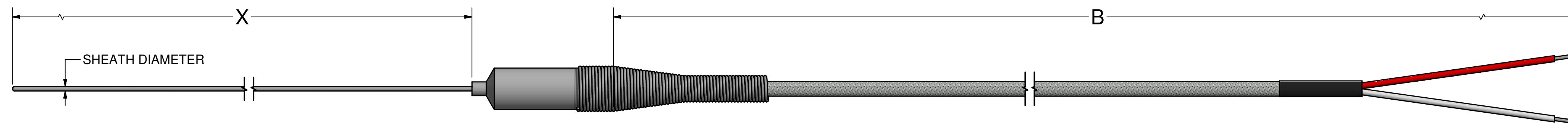
TITLE 214A RTD AND THERMOCOUPLES TYPE I DRAWING

DR. M. LACKEY	3/31/16	DRAWING NO.	P400601
APP'D E. SAWYER	3/31/16		

CAD MAINTAINED, (AUTODESK INVENTOR) SHEET 1 OF 7

214A MINIATURE MgO THERMOCOUPLES

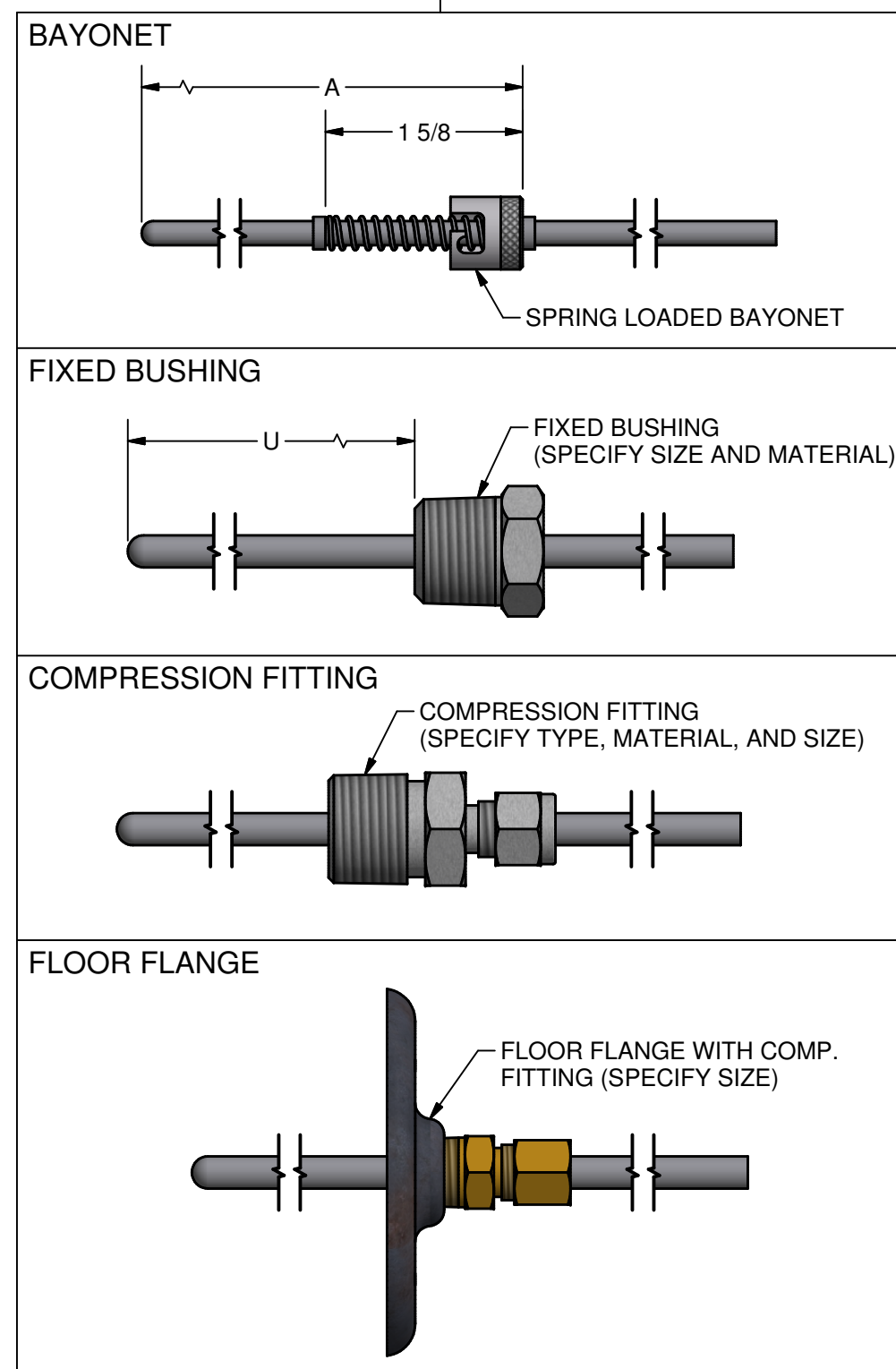
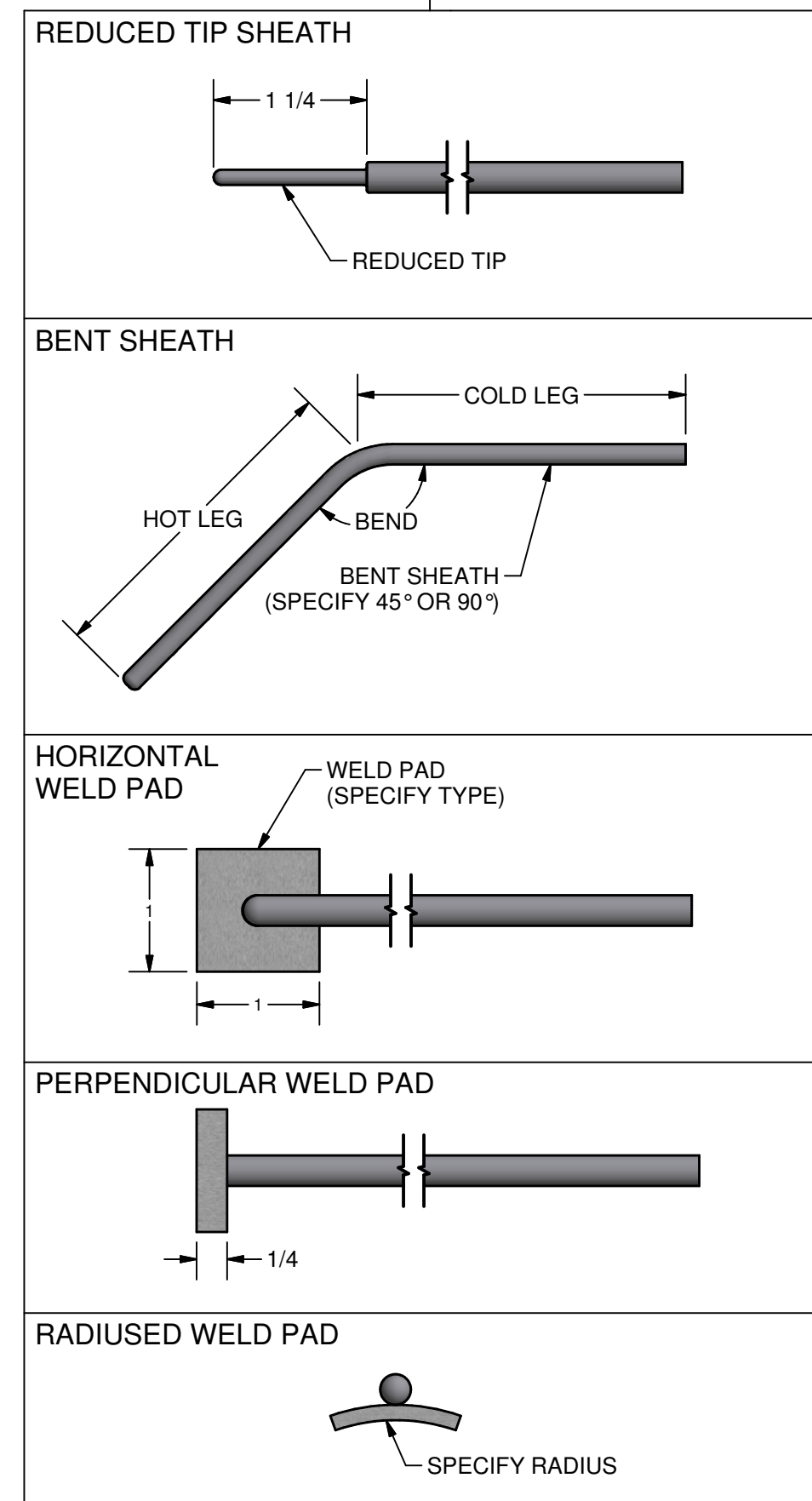
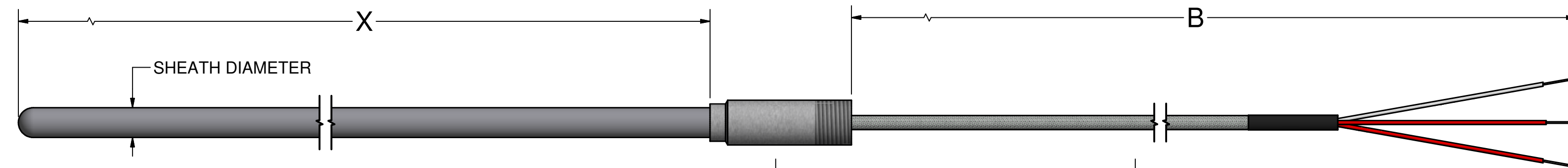
THERMOCOUPLE TYPES:
J, K
AVAILABLE IN SINGLE CONSTRUCTION ONLY



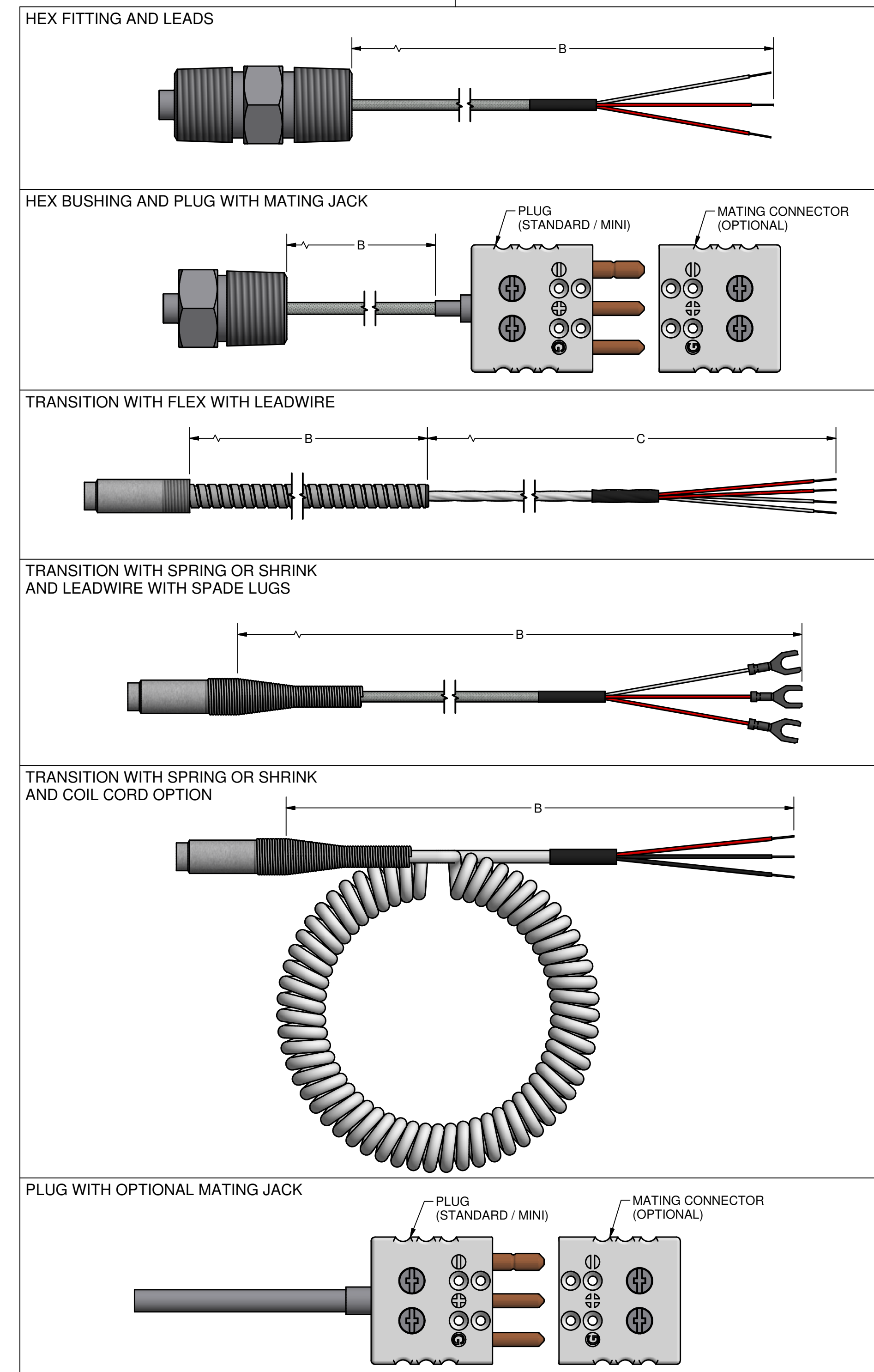
TERMINATION OPTIONS

214A RTDS

RTD TYPES:
 CLASS A, CLASS B, (1/5) CLASS B, GRADE B
 AVAILABLE IN SINGLE AND DUPLEX CONSTRUCTION
 AVAILABLE IN 2, 3, OR 4 WIRE TERMINATIONS



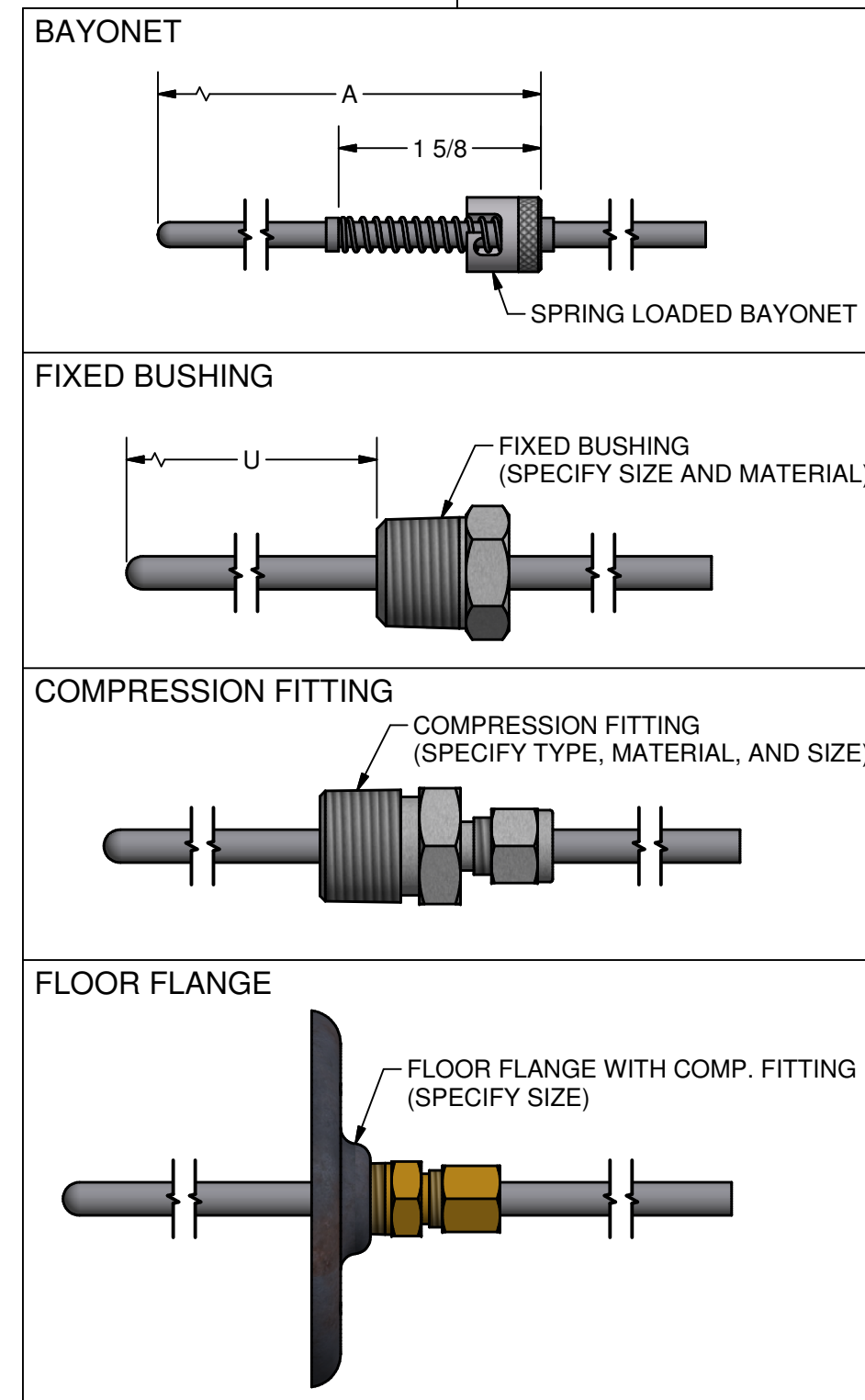
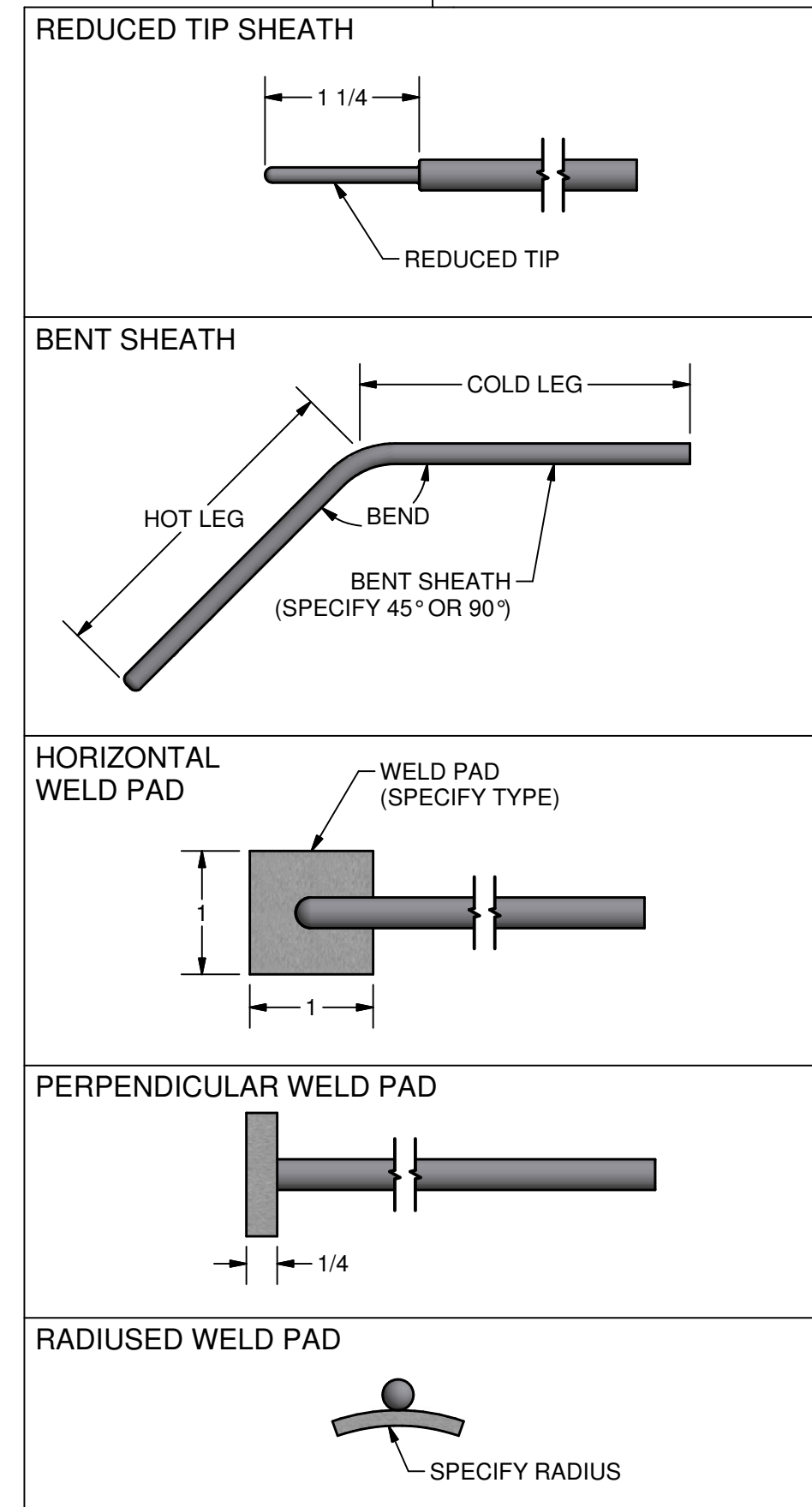
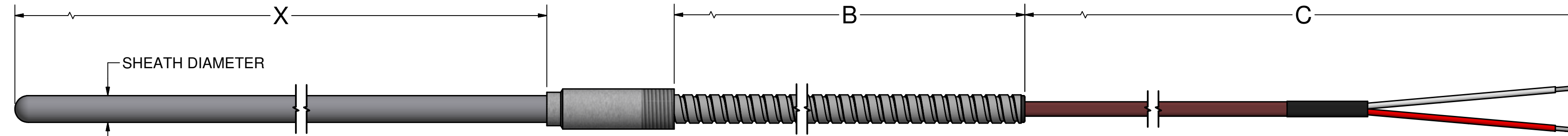
SHEATH MOUNTING OPTIONS



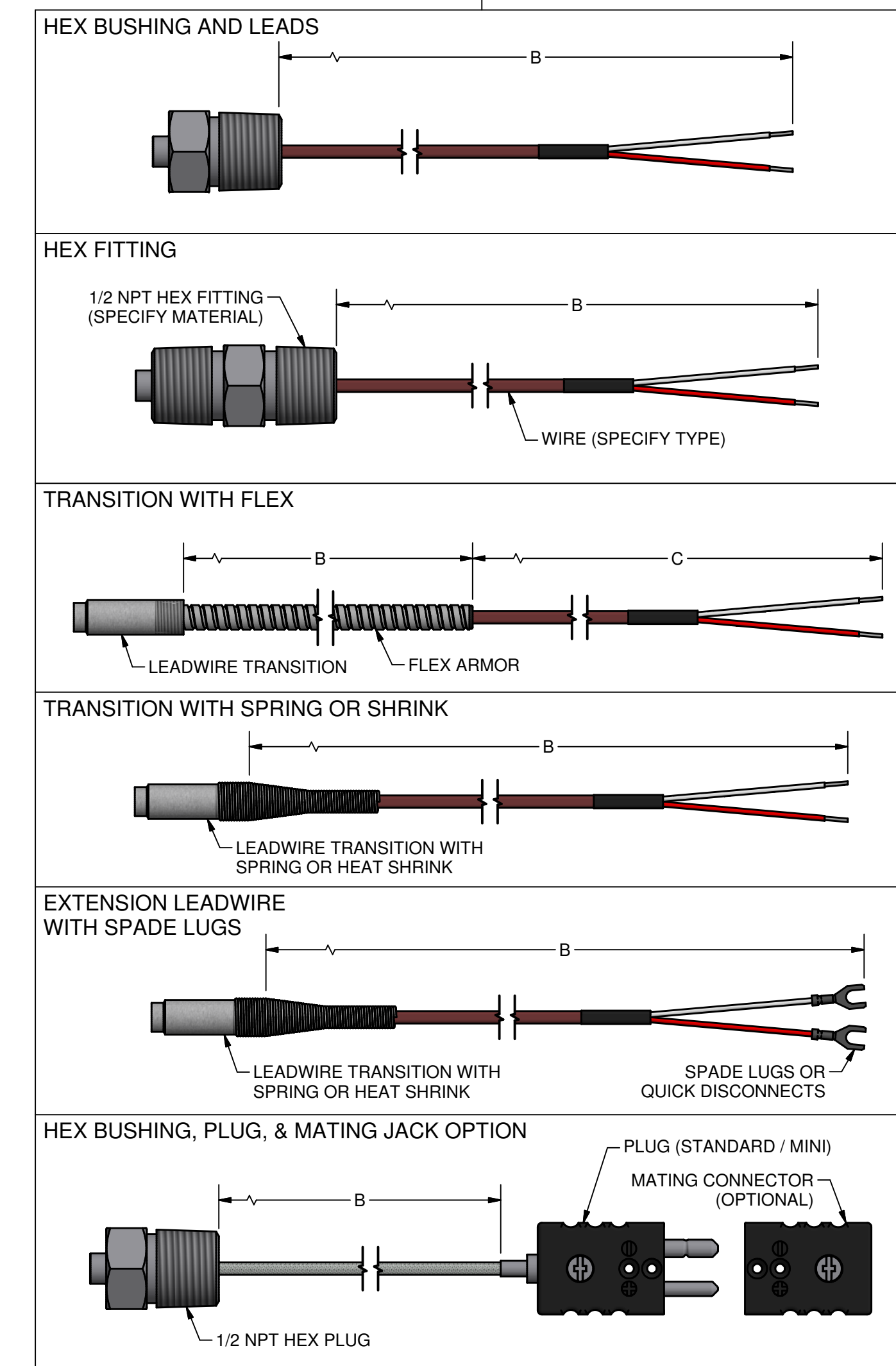
TERMINATION OPTIONS

214A MgO THERMOCOUPLES

THERMOCOUPLE TYPES:
E, J, K, T, N
AVAILABLE IN SINGLE AND DUPLEX CONSTRUCTION



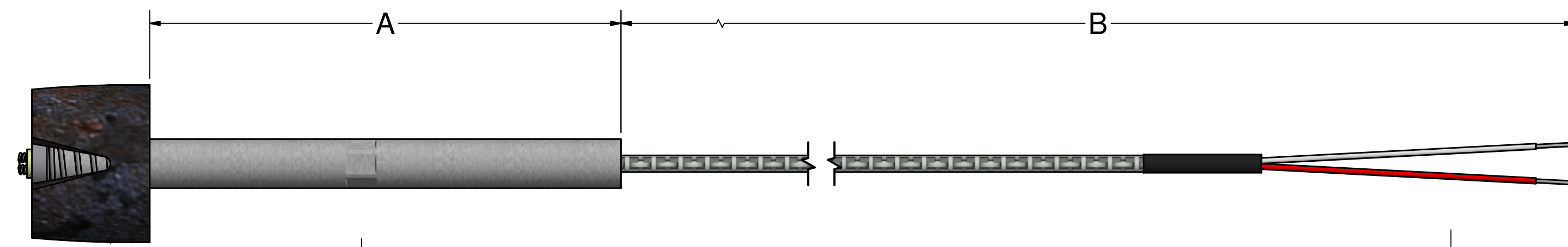
SHEATH MOUNTING OPTIONS



TERMINATION OPTIONS

214A MAGNET THERMOCOUPLES

THERMOCOUPLE TYPES:
J,K
AVAILABLE IN SINGLE CONSTRUCTION ONLY



MAGNET STYLE OPTIONS

CODE T: 16 lb. PULL WITH 5/16" OD SHEATH

CODE H: 16 lb. PULL WITH HANDLE

CODE M: 2 lb. PULL

SHEATH BEND OPTIONS

STRAIGHT SHEATH

45° BEND SHEATH

90° BEND SHEATH

TERMINATION OPTIONS

LEADS NOT STRIPPED

2" SPLIT LEADS, 1/4" STRIPPED

2" SPLIT LEADS WITH SPADE LUGS

STANDARD PLUG OR JACK

W/ MATING CONNECTOR

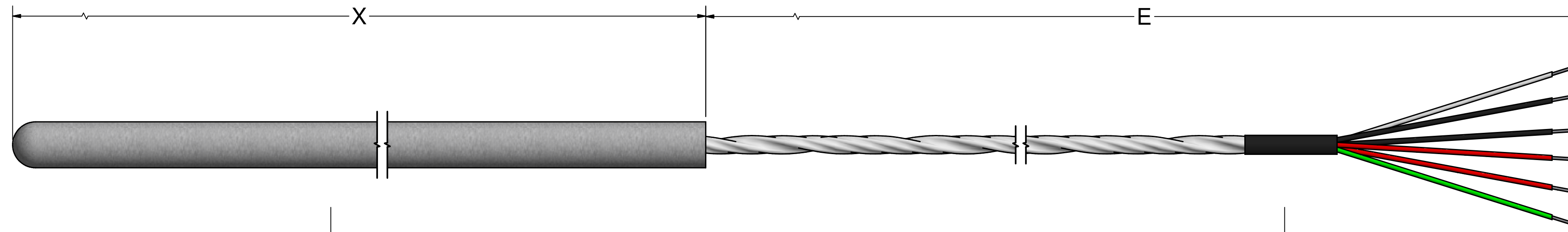
MINIATURE PLUG OR JACK

W/ MATING CONNECTOR

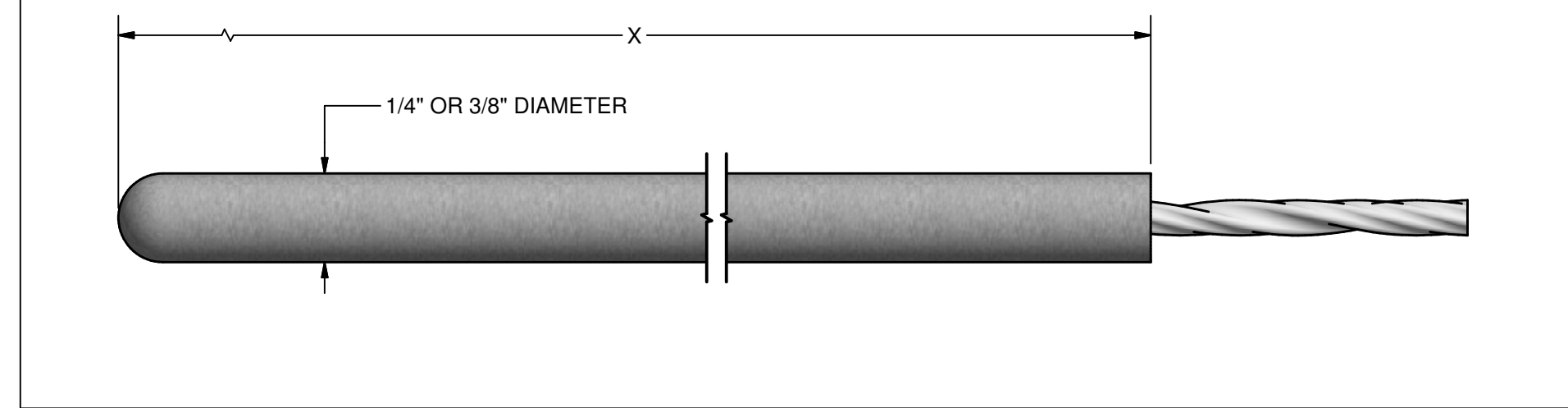
2" SPLIT LEADS WITH QUICK DISCONNECT

214A VARIABLE-LENGTH RTD ELEMENT

AVAILABLE IN DUPLEX CONSTRUCTION ONLY
AVAILABLE IN 3 OR 4 WIRE TERMINATIONS

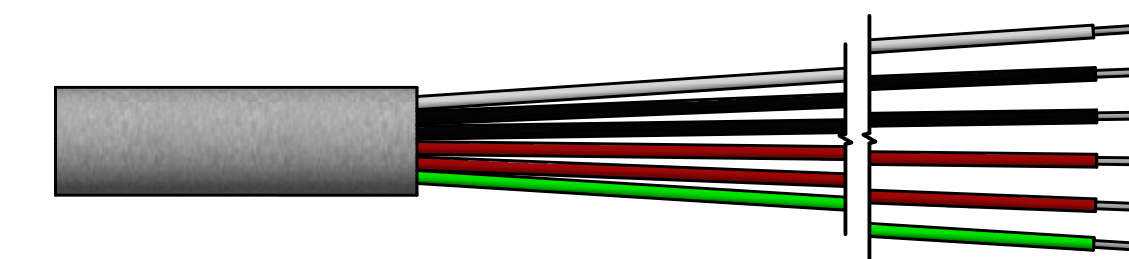


STRAIGHT SHEATH

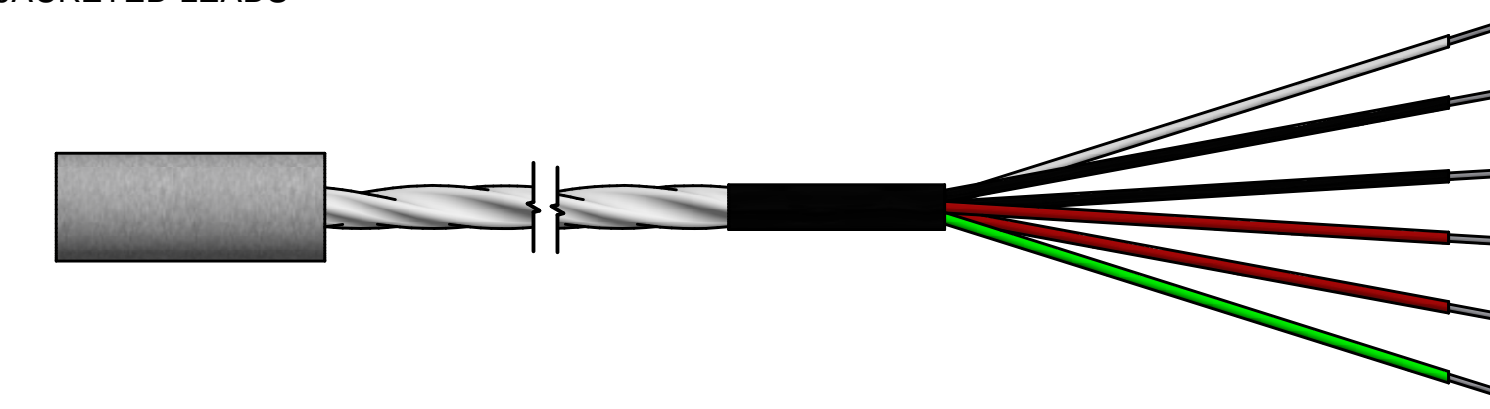


SHEATH MOUNTING OPTIONS

INDIVIDUAL LEADS



JACKETED LEADS



RTD EXTENSION LEADWIRE OPTIONS

214A MINIATURE RTD AND THERMOCOUPLE BEARING SENSORS

RTD TYPES:
 CLASS A
 CLASS B
 AVAILABLE IN SINGLE OR DUPLEX
 AVAILABLE IN 2 WIRE OR 3 WIRE*
 (*DEPENDING ON CASE STYLE)

THERMOCOUPLE TYPES:
 J, K, T, E
 AVAILABLE IN SINGLE OR DUPLEX

