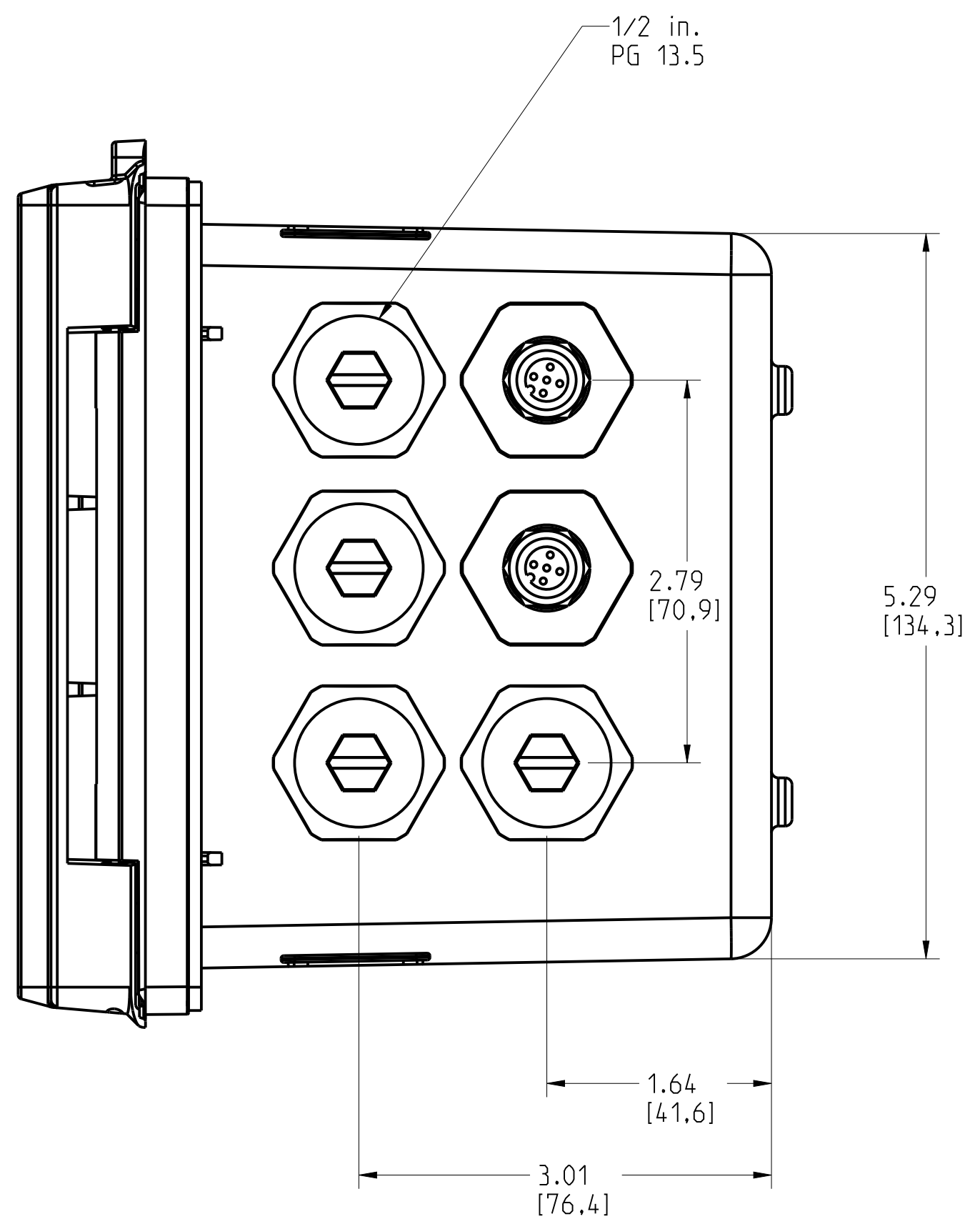
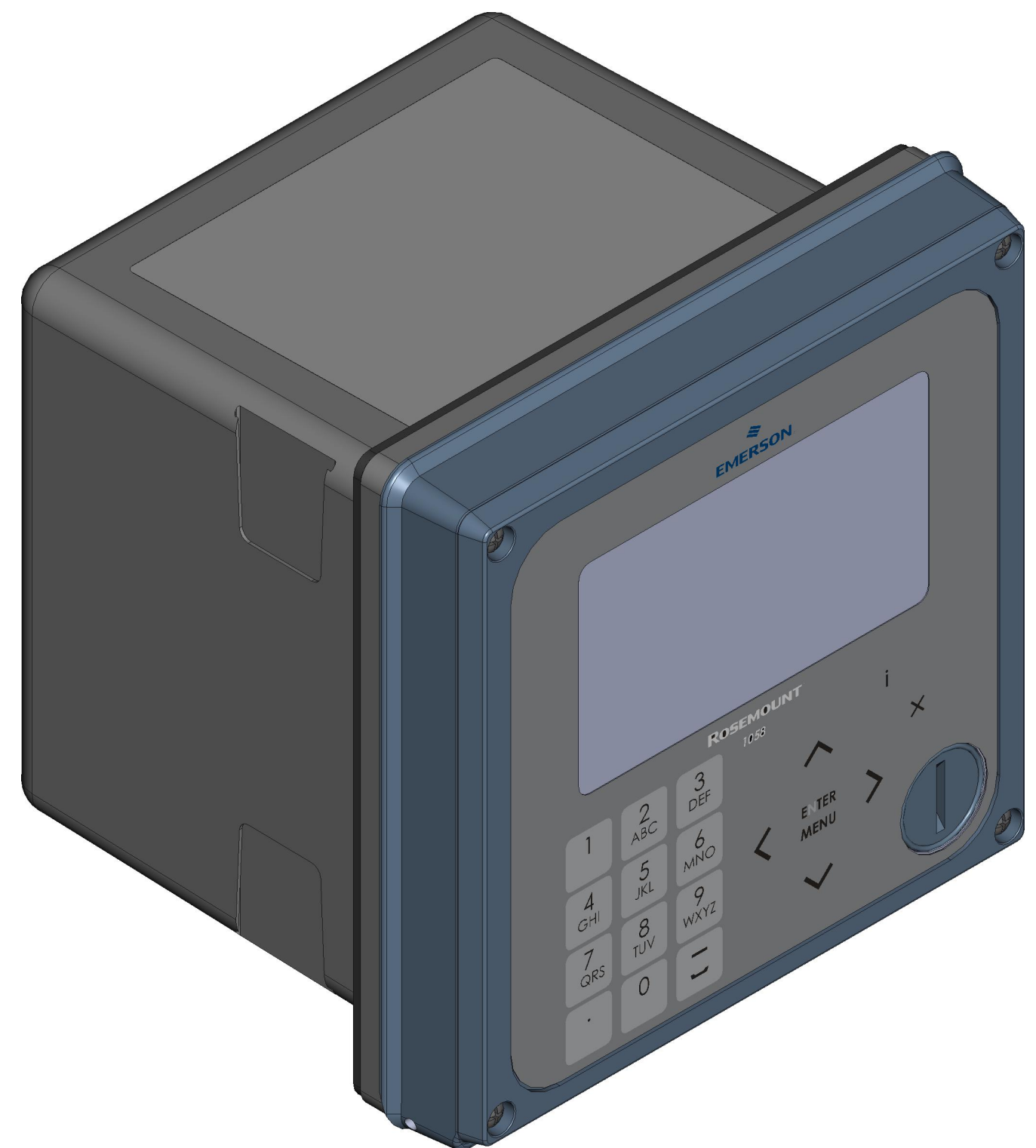
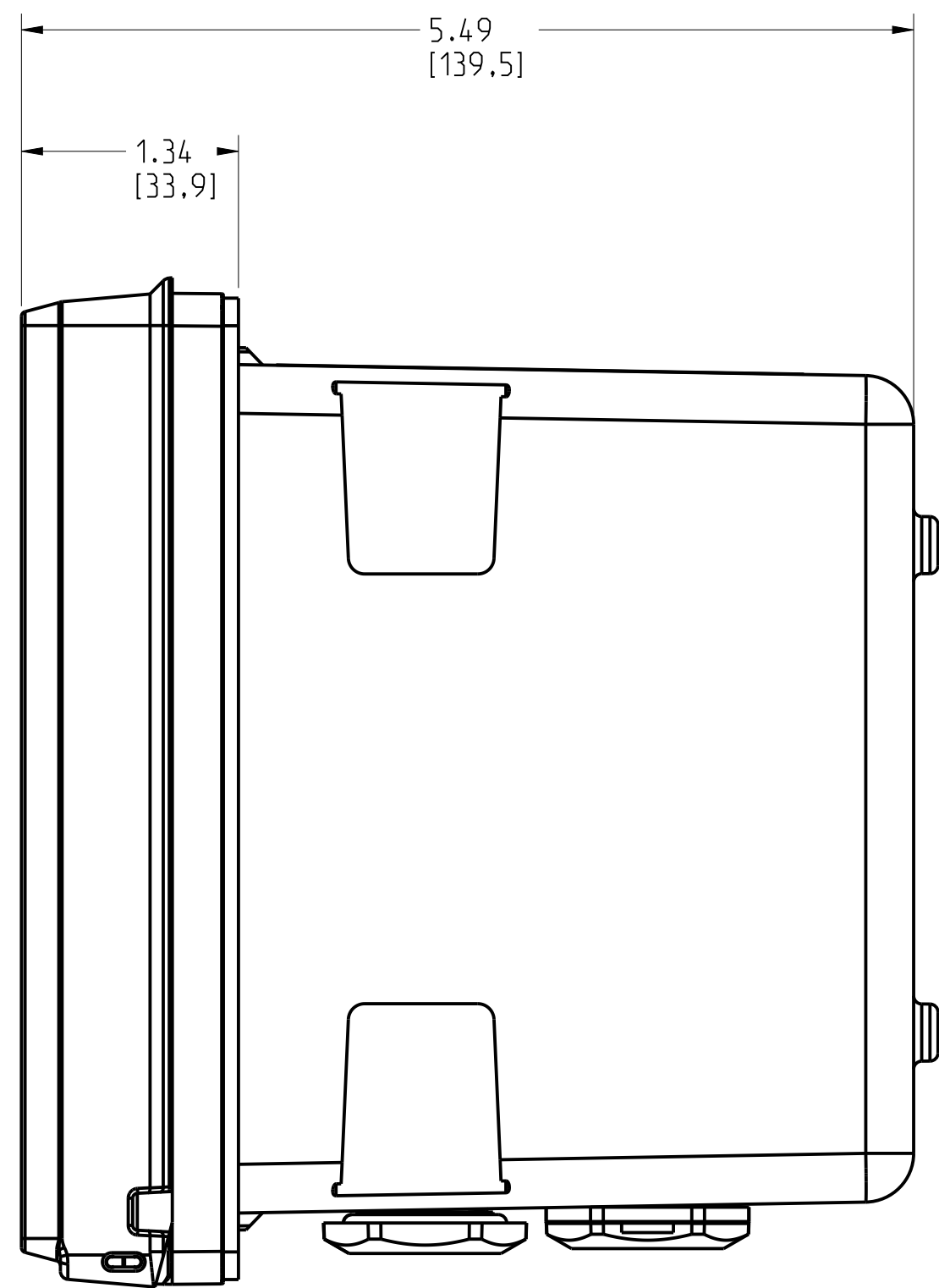
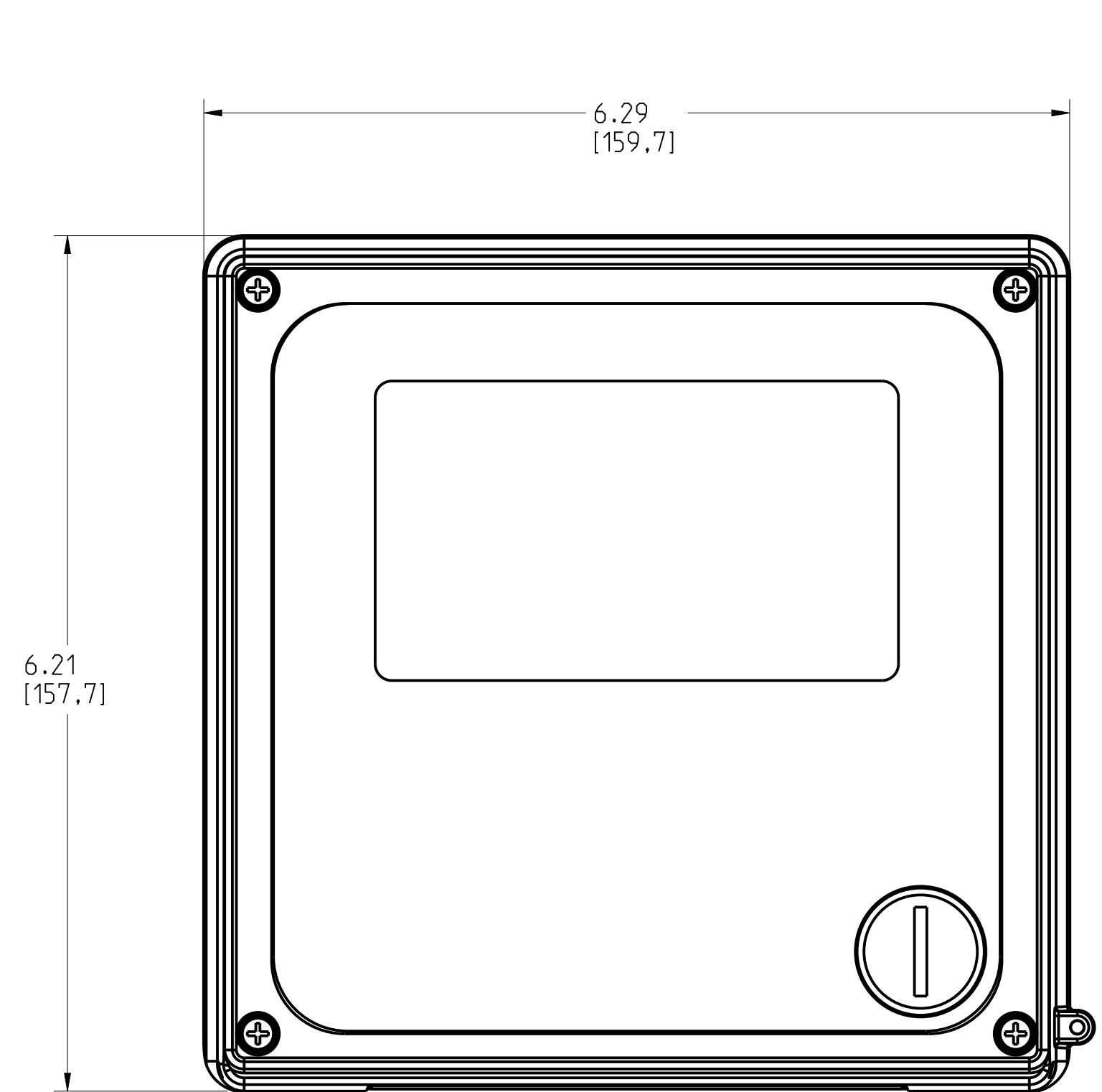


# ROSEMOUNT 1058 LIQUID TRANSMITTER

REVISION TABLE			
REVISION	ECO NO.	APP'D	DATE
AA	rte	k. stultz	2/28/24
DESCRIPTION			
NEW RELEASE			

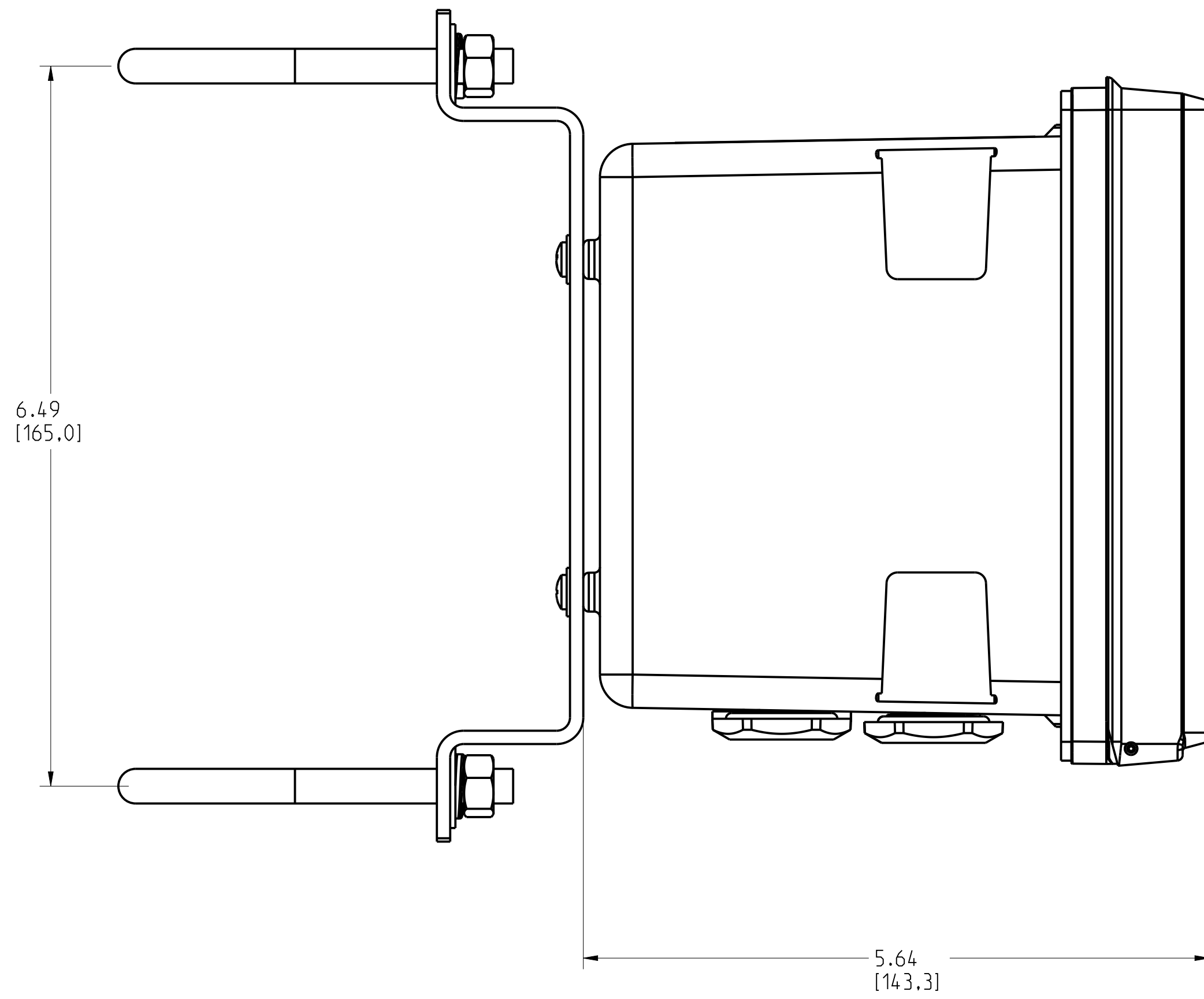
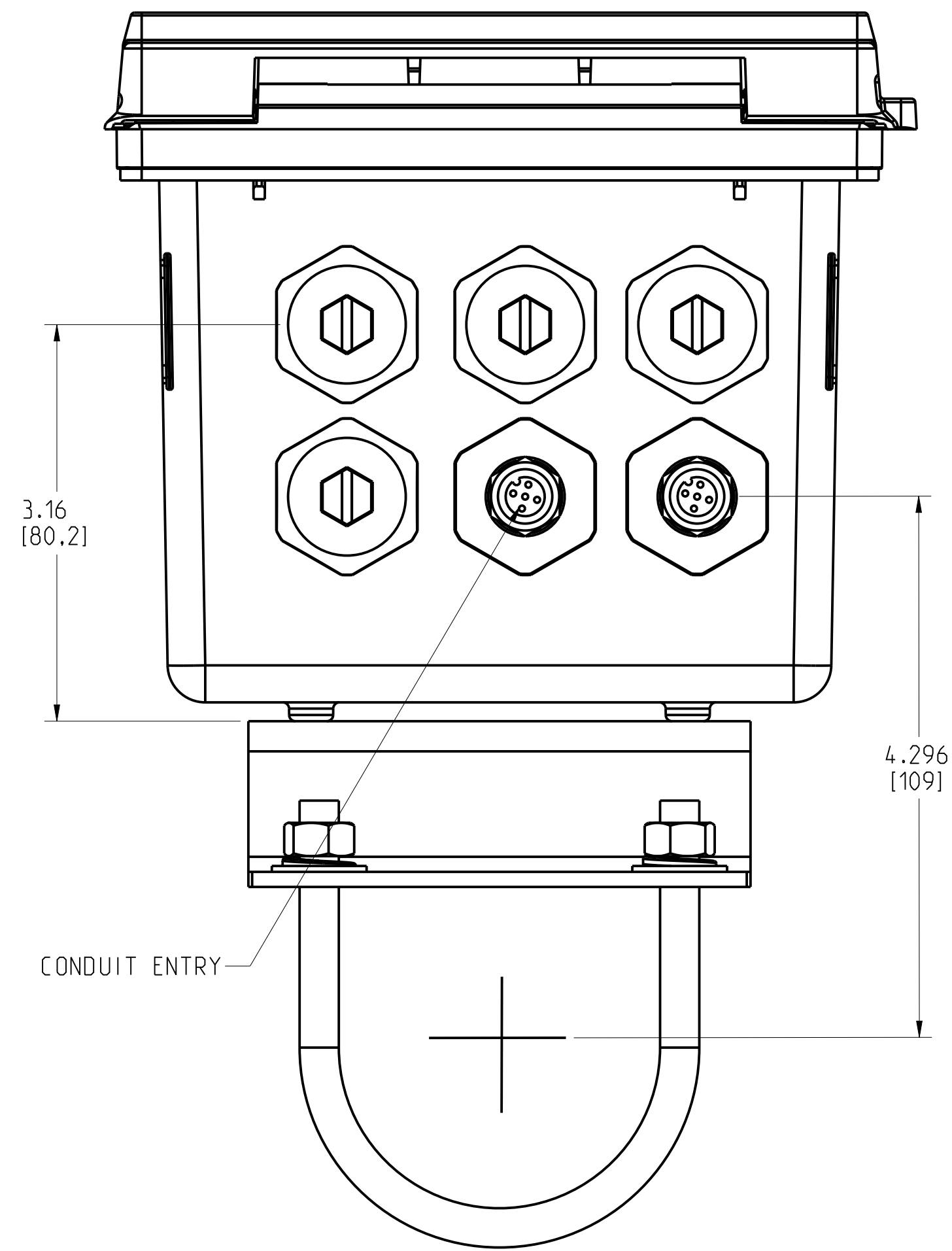


©2015 ROSEMOUNT, INC.  
 ROSEMOUNT INC. ACCEPTS  
 LIABILITY FOR THE INFORMATION  
 PROVIDED HEREIN IN  
 ACCORDANCE WITH  
 ROSEMOUNT ENGINEERING  
 SPECIFICATIONS.  
 UNIT NOTES IN INCHES (mm).  
 REFERENCE ROSEMOUNT  
 PRODUCT SPECIFICATIONS FOR  
 PRODUCT SPECIFICATIONS.  
 CLICK HERE

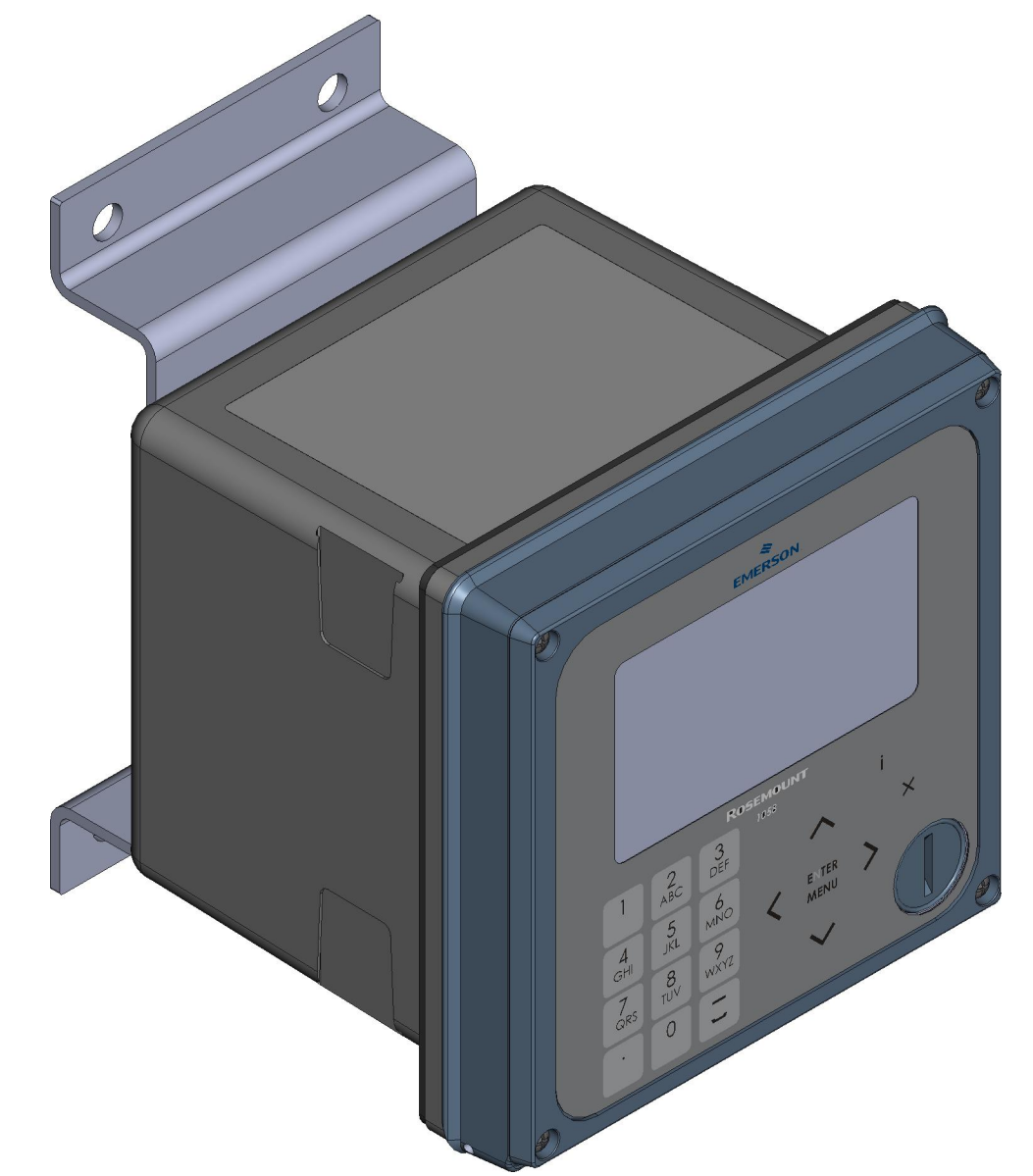
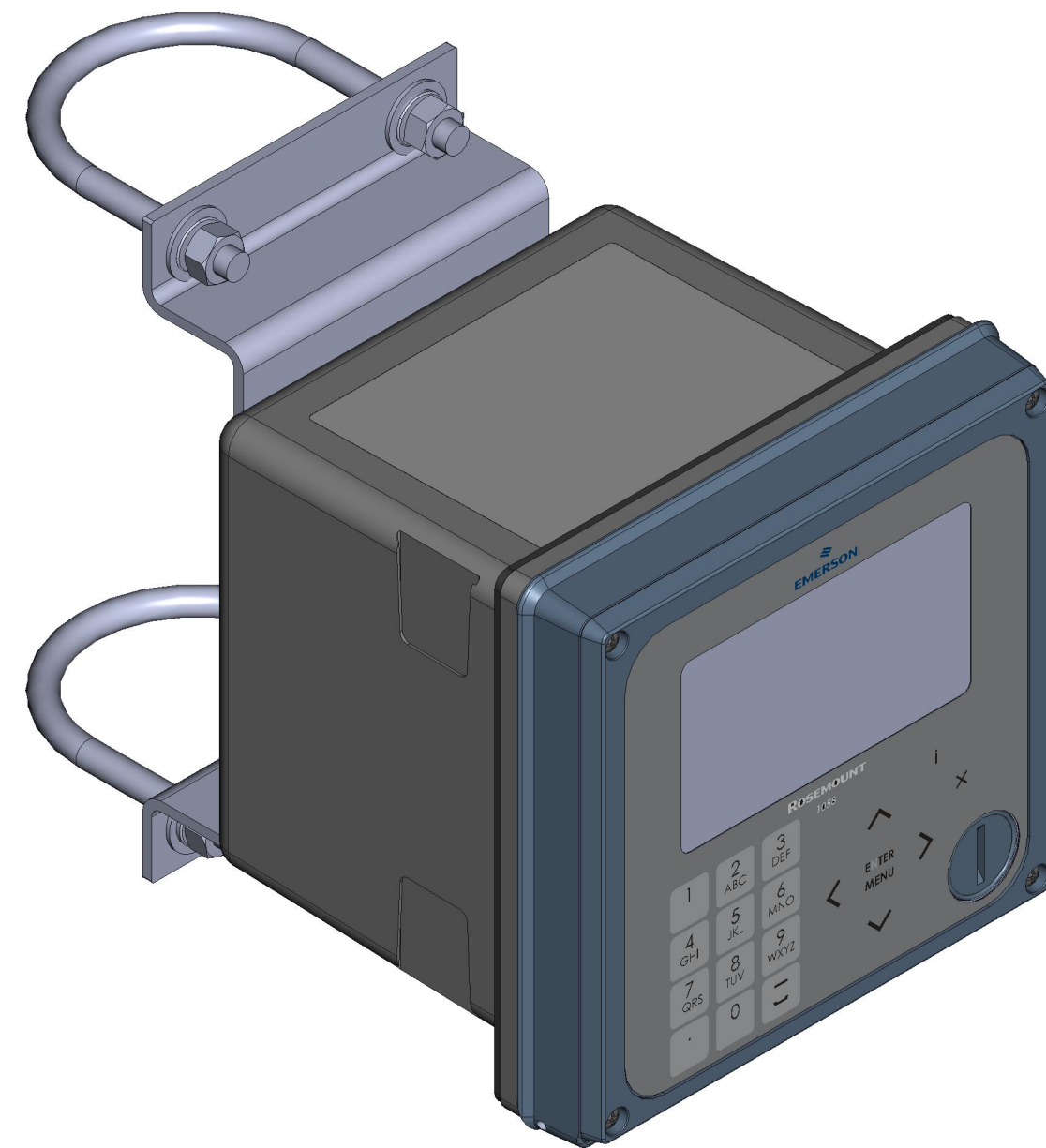
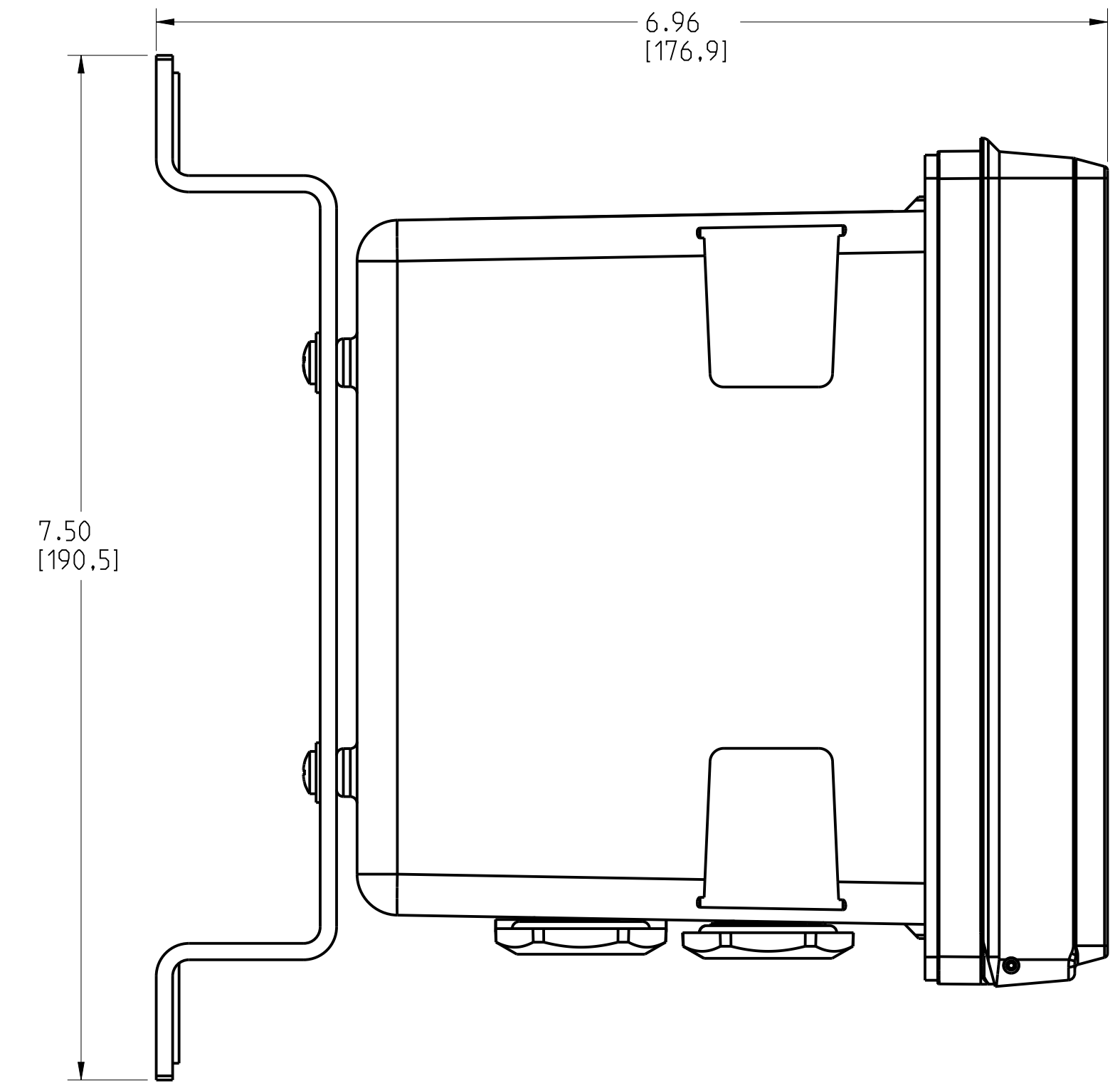
		3RD ANGLE		SIZE	SCALE
		D		D	NTS
<b>ROSEMOUNT 1058 LIQUID TRANS.                  TYPE I DRAWING</b>					
DR.	J. ARMSTRONG	2/27/24	DRAWING NO.		
APP'D	K. STULTZ	2/27/24	01058-7000		
CAD MAINTAINED: (PRO/E)					SHEET 1 OF 2

# ROSEMOUNT 1058 LIQUID TRANSMITTER

PIPE MOUNT



PANEL MOUNT



©2015 ROSEMOUNT, INC. ALL RIGHTS RESERVED. THIS DOCUMENT IS UNCLASSIFIED IN ACCORDANCE WITH ROSEMOUNT ENGINEERING SPECIFICATIONS. UNIT NOTES IN INCHES (mm).

SEE ROSEMOUNT WEBSITE FOR PRODUCT SPECIFICATIONS. CLICK HERE

3RD ANGLE

EMERSON

ROSEMOUNT 1058 LIQUID TRANS. TYPE I DRAWING

DR. J. ARMSTRONG 2/27/24 DRAWING NO. 01058-7000

APP'D K. STULTZ 2/27/24

CAD MAINTAINED. (PRO/E) SHEET 2 OF 2