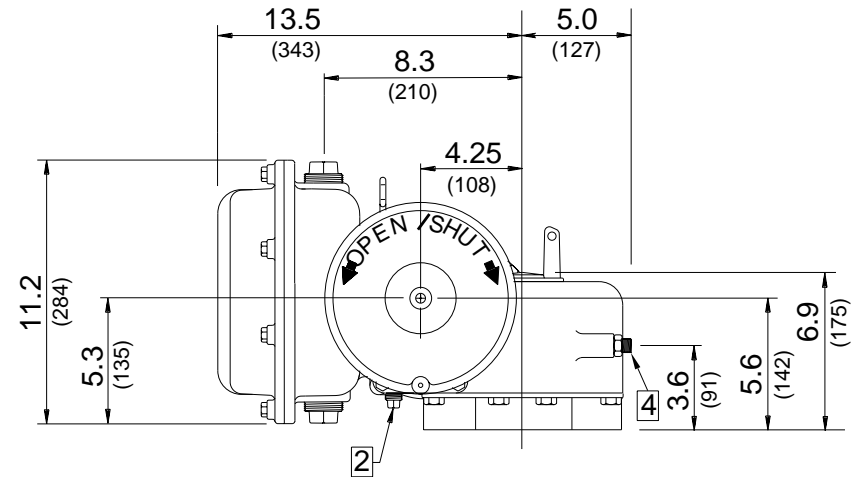
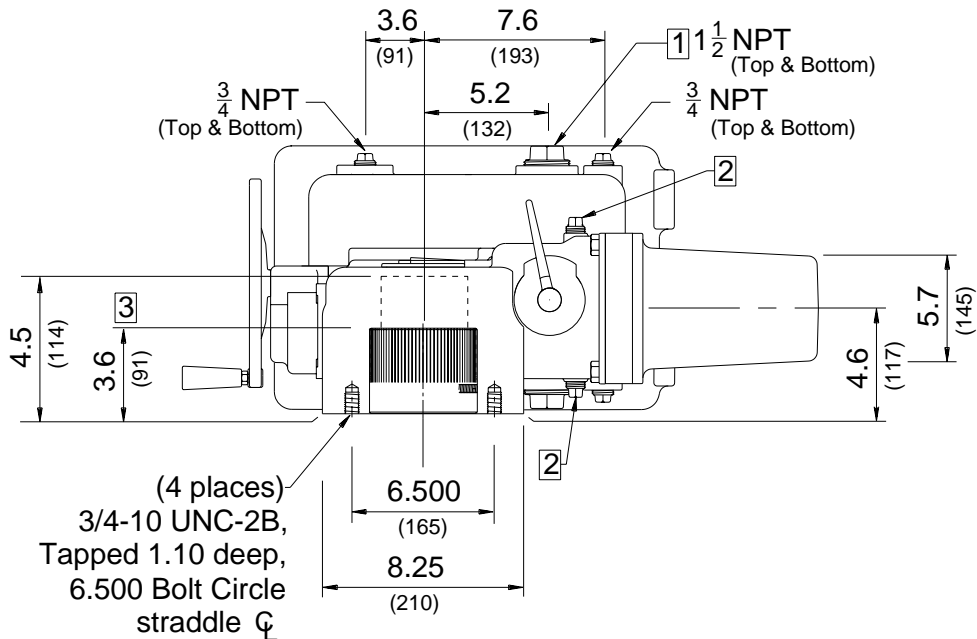
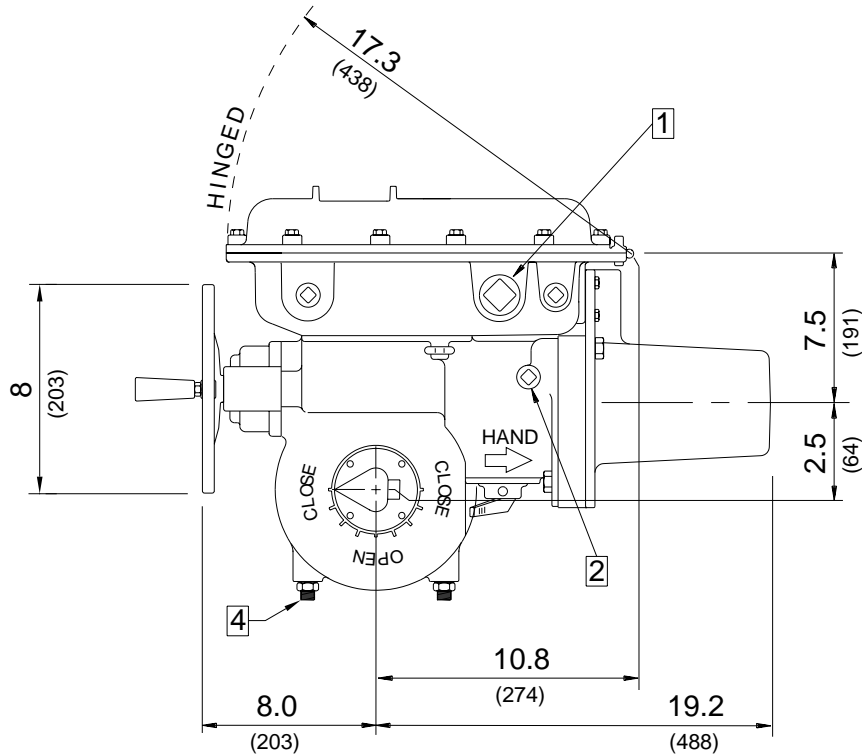
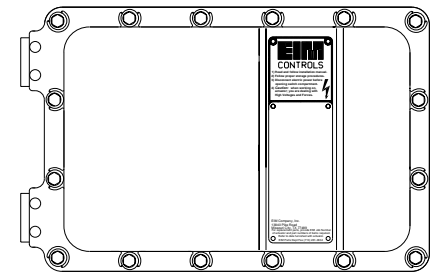
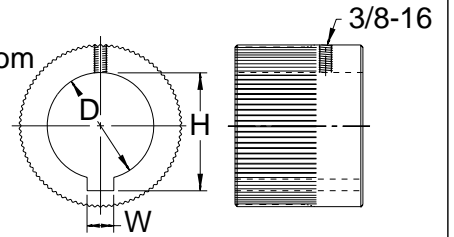


1 1 1/2 NPT is preferred wire entry top or bottom.

2 Lubrication 1/2 -14 NPT plugs

3 Spline Bush: Removable from the bottom of actuator. Refer to EIM Job Spec sheet for Bushing furnished for specific application.

4 Adjustable mechanical stops: 90° ± 8°



INCHES .XXX ± .005"  
(MILLIMETERS) .XX ± .020"  
.X APPROX.

**EIM** EIM COMPANY, INC.  
13840 PIKE ROAD  
CONTROLS MISSOURI CITY, TX 77489

TITLE **R 1/4 TURN 6.50"**

A	6/14/95	9589	/CML
REV	DATE	ERO	BY

OUTLINE NO. **R-0003/16G** A