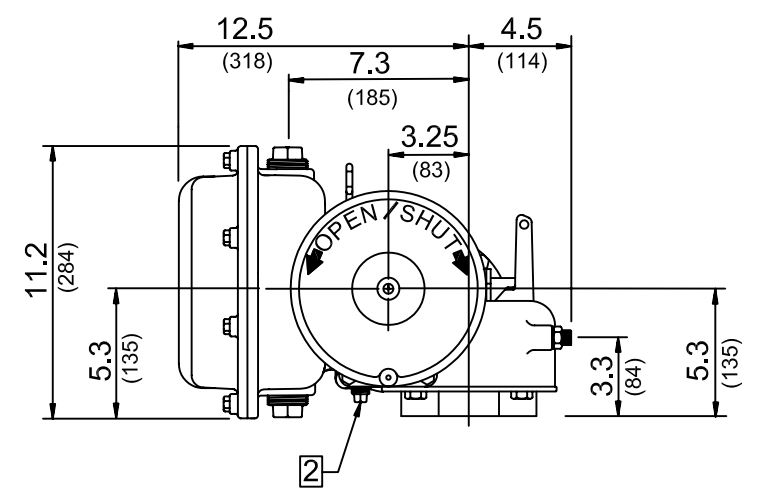
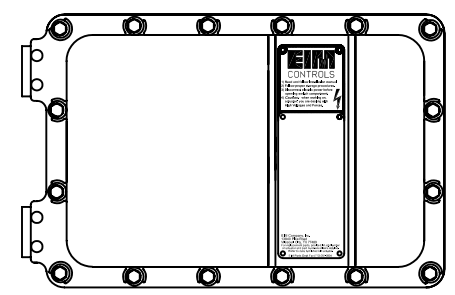
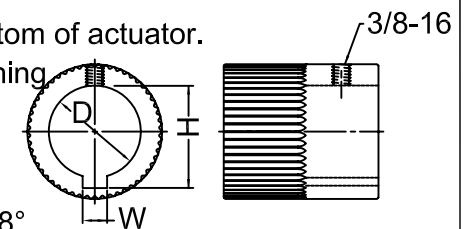


- 1 1/2 NPT is preferred wire entry top or bottom.
- 2 Lubrication 1/2 -14 NPT plugs.
- 3 Spline Bush: Removable from the bottom of actuator. Refer to EIM Job Spec Sheet for Bushing furnished for specific application.
- 4 Adjustable mechanical stops: 90° ± 8°



INCHES .XXX ± .005"  
 (MILLIMETERS) .XX ± .020"  
 .X APPROX.

**EIM** EIM COMPANY, INC.  
 13840 PIKE ROAD  
 CONTROLS MISSOURI CITY, TX 77489

TITLE **Q 1/4 TURN 4.95"**  
 REV B  
 OUTLINE NO. **Q-0003/12G**

B	7/14/99	LE/CML
REV	DATE	ERO BY