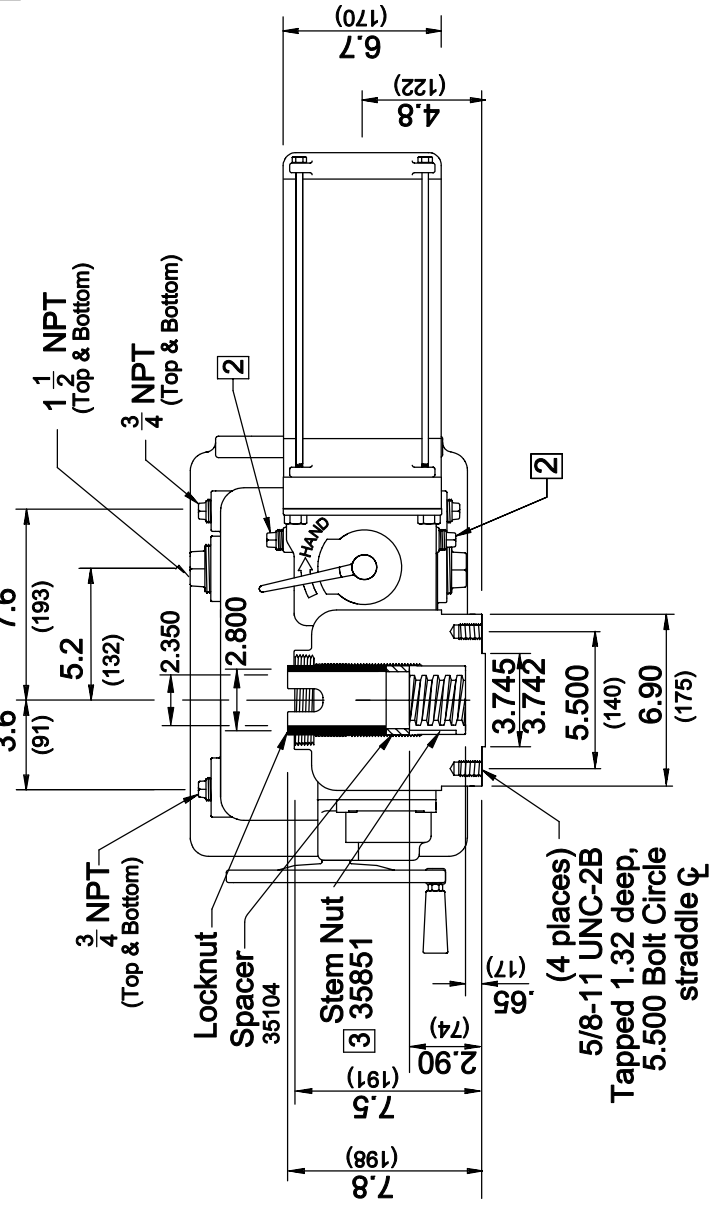
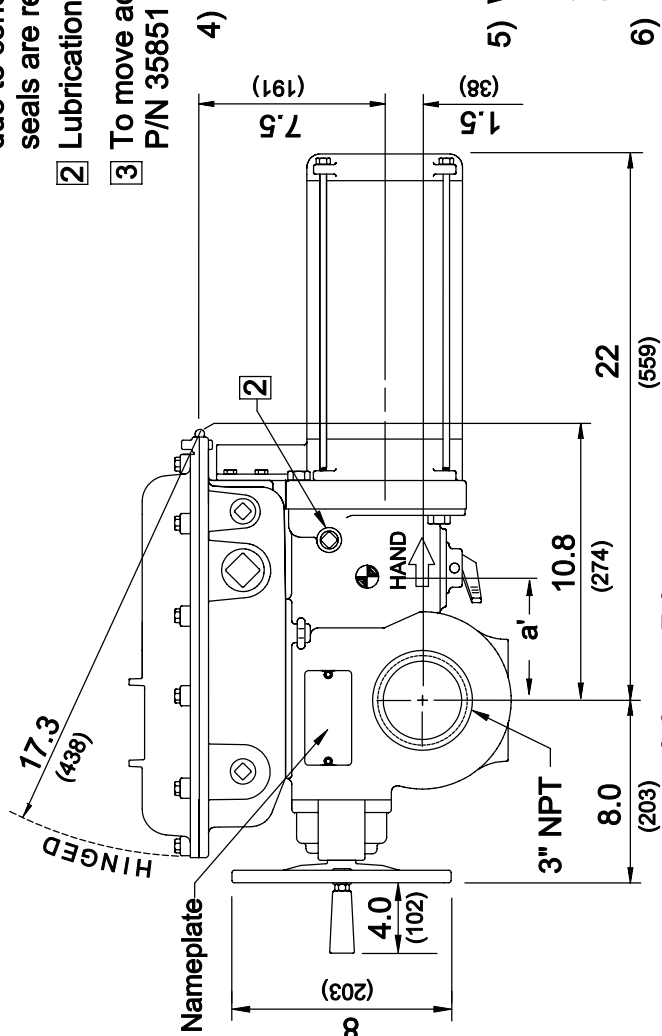
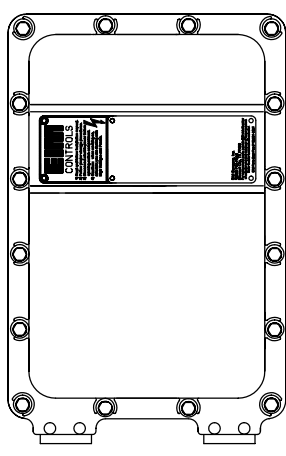


Notes:

- 1.50-11.5 NPT (2 Plcs) is preferred wire entry. CAUTION Conduit must enter at lowest point to prevent water from entering electrical enclosure due to condensation. If hazardous (classified) or Nema 6 location, conduit seals are required at electrical enclosure entrances.
- Lubrication 0.50-14 NPT plugs.
- To move actuator to another valve, bronze stem nut P/N 35851 may be threaded up to 2.25" Acme stem max.

- 4) For electrical control pilot device elements mounted on actuator control cover, see EIM job spec sheet & wiring diagram furnished for each specific job no.
- 5) WARNING-The installation and servicing instructions are for used by qualified personnel only. To avoid injury and electric shock, do not perform any service on EIM equipment unless qualified.
- 6) Installation shall be in accordance with current edition of National Electrical Code.



CENTER OF GRAVITY	
a'	4.9
b'	3.0
c'	4.7

INCHES .XXX ± .005"
(MILLIMETERS) .XX ± .020"
.X APPROX.

EIM COMPANY, INC.
13840 PIKE ROAD
CONTROLS MISSOURI CITY, TX 77489

TITLE
2000 M/T 5.50
REV
2-0001/14G B

REV	DATE	ERO	BY	CML
B	1/20/05			13988
A	6/15/95			9592

(4 places)
5/8-11 UNC-2B
Tapped 1.32 deep,
5.500 Bolt Circle
straddle ϕ