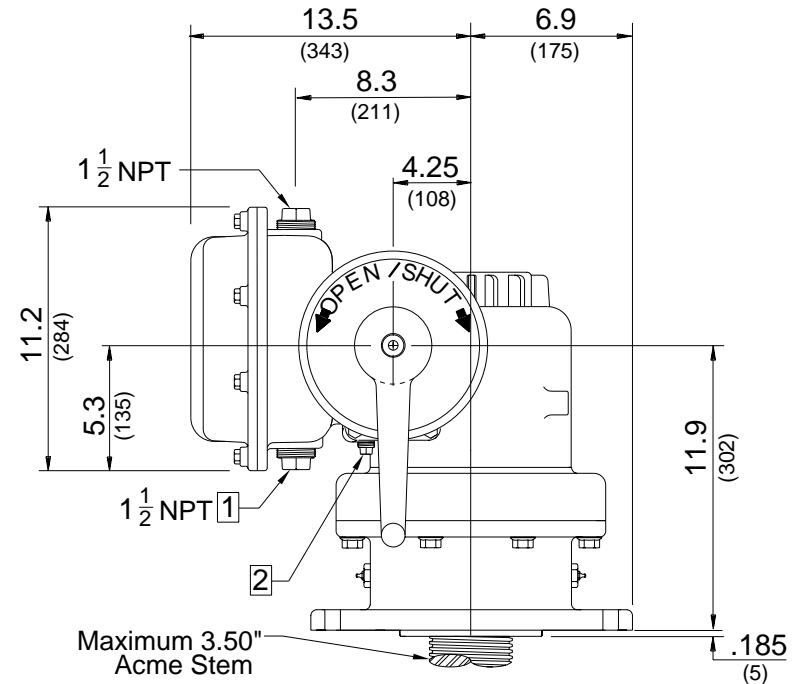
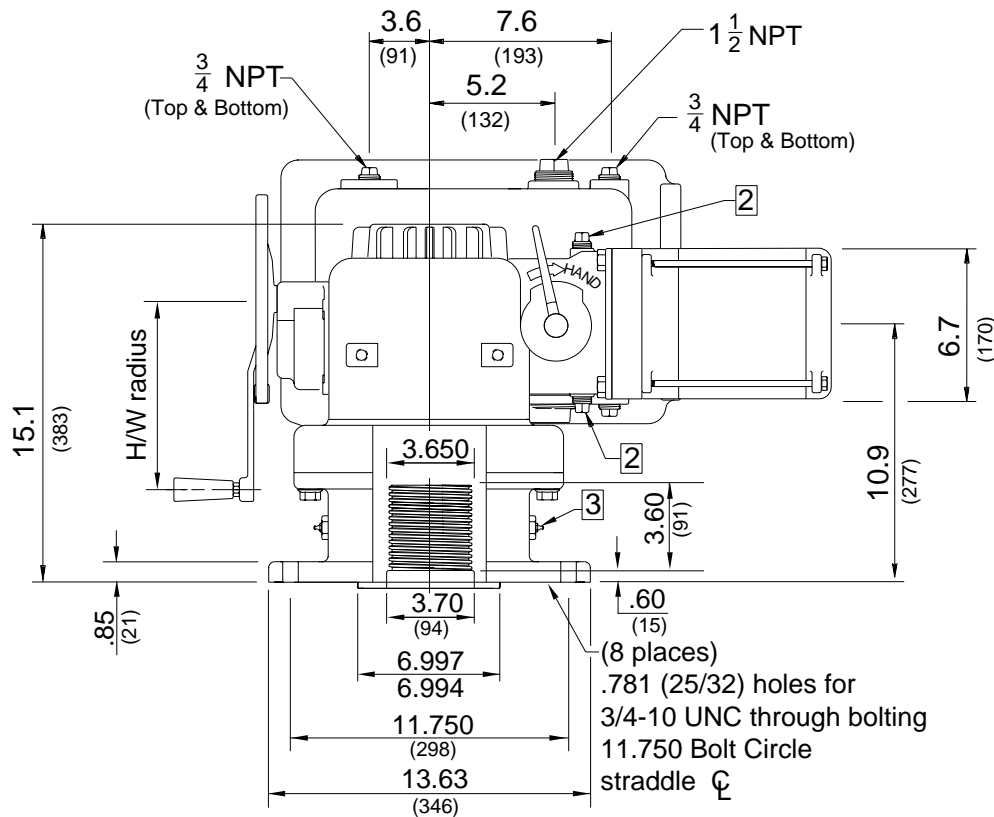
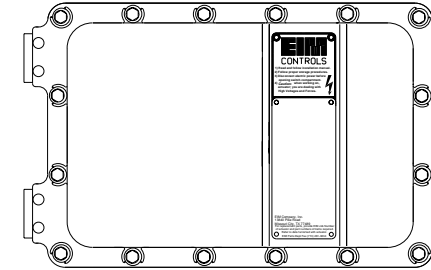
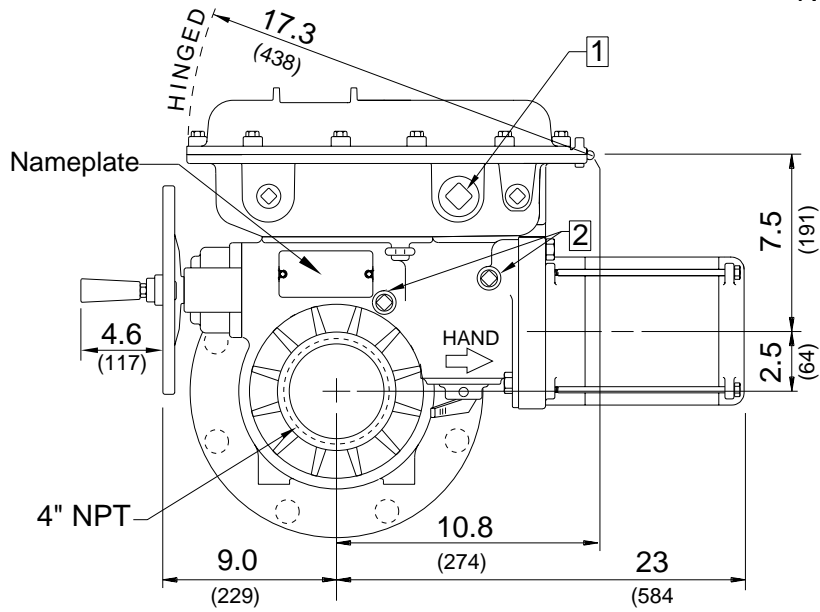


- Notes:
- 1 1 1/2 NPT is preferred wire entry. **CAUTION** Conduit must enter actuator at lowest point. If hazardous location seal conduit with drain type fitting.
 - 2 Gear Box Lubrication 1/2 -14 NPT plugs.
 - 3 Thrust base grease fittings



Maximum 3.50"
Acme Stem

INCHES .XXX ± .005"
 (MILLIMETERS) .XX ± .020"
 .X APPROX.

EIM EIM COMPANY, INC.
 13840 PIKE ROAD
 CONTROLS MISSOURI CITY, TX 77489
 TITLE

5000 M/T 11.75

REV	DATE	ERO	BY
A	8/11/95	9726	cml

OUTLINE NO. **5-TB01/30G** REV **A**